



IB RUBINETTI

Collection

MARMO

Article

MR322_2

Description

Long wall mounted spout

Box Dimensions

425 x 188 x 98 mm

Weight

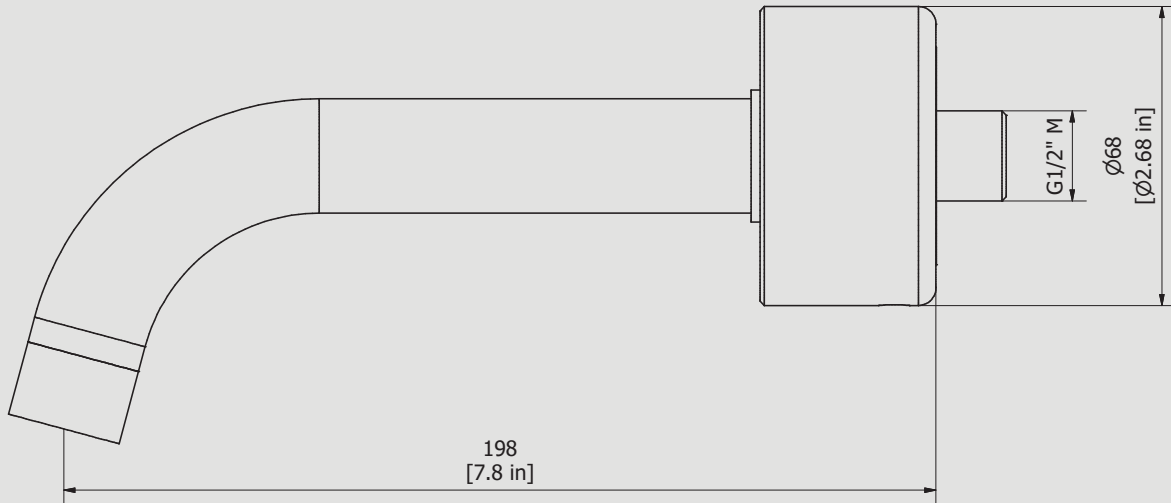
1.2 kg



Finishes

- **CC** CHROME
- **CF** BLACK CHROME
- **OO** GOLD
- **BB** ANTIQUE BRONZE
- **SS** BRUSHED NICKEL
- **CS** BRUSHED BLACK CHROME
- **BO** MATT WHITE
- **NP** MATT BLACK
- **IS** BRUSHED PALE GOLD
- **OS** BRUSHED GOLD
- **II** PALE GOLD
- **RR** ANTIQUE COPPER
- **RS** ROSE GOLD
- **ON** NATURAL BRASS
- **SR** BRUSHED ROSE GOLD
- **PL** PLATINUM

Dimensions



Cartridge

Treaded fitting

Treaded fitting G1/2" male

Aerator

M24x1

Flow Rate (+/-10%)

**1 BAR
6.5 l/min**

**2 BAR
8 l/min**

**3 BAR
8 l/min**

Production

Main body is a machined from a solid pieces

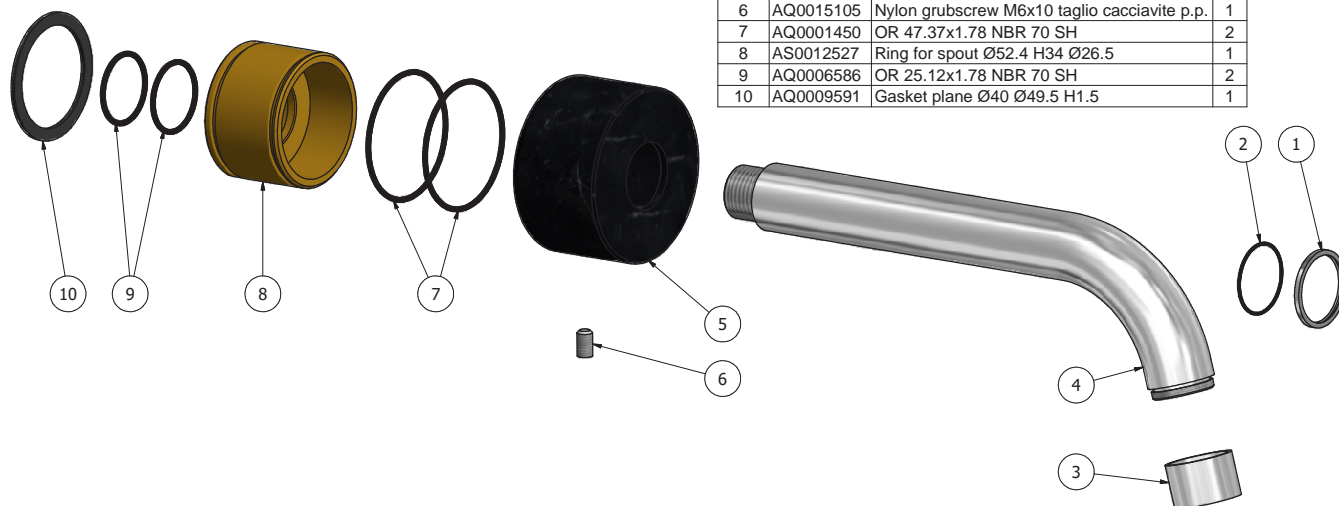
Material

**BRASS
According to CuZn39Pb3 (CB614N)
Max Lead content: 2.5%**





IB RUBINETTI



Parts list			
ELEM	CODE	DESCRIPTION	QT
1	AC0012591	Ring Ø30 Ø26.9 H2	1
2	AQ0015103	OR 26x1 NBR 70 SH	1
3	AQ0014681	Aerator Ø26 H17 M24x1 (40.1053.33300)	1
4	AC0012377	Spout-out Ø26 L195	1
5	AQ0014950	Marble cover Ø68 H40 marquinia's black	1
6	AQ0015105	Nylon grubscREW M6x10 taglio cacciavite p.p.	1
7	AQ0001450	OR 47.37x1.78 NBR 70 SH	2
8	AS0012527	Ring for spout Ø52.4 H34 Ø26.5	1
9	AQ0006586	OR 25.12x1.78 NBR 70 SH	2
10	AQ0009591	Gasket plane Ø40 Ø49.5 H1.5	1

WARRANTY

All IB Rubinetterie SpA products are warranted for 10 years from the date of purchase, for the following cases:

- Defects of casting, porosity and chrome plating.
- Operating defects caused by incorrect fabrication.

The warranty provides for repair or replacement of products with fabrication defects recognized by our technical office. There is no other type of compensation anche the merchandise must be returned FOB our warehouse. The warranty only cover surface defects (scatches, dings, etc.) on fitting that have not been installed and used, returned in its original packaging with all components. O-ring, gasket seals and components subject to wear proportional to use are warranted for 2 years.

The warranty is void in the following cases:

Error installing and putting the product into service.

Deterioration of finisched surfaces due to use of cleaning products containing acids or abrasive substances. Deterioration of surface with finishes other than chrome plating. Their durability is, in fact, dependent on the user's care and gentleness of use.

Deterioration of the fitting due incorrect installation.

Improper repairs and maintenance performed without the company's prior authorization.

The warranty from IB Rubinetterie SpA is not renewable.

Cleaning

We recommended cleaning the finish surfaces with water and soap, using a soft cloth.

Do not use detergents that cointain hydrochloric acid or abrasive substances.

