

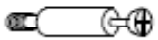


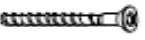

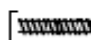



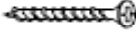




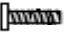
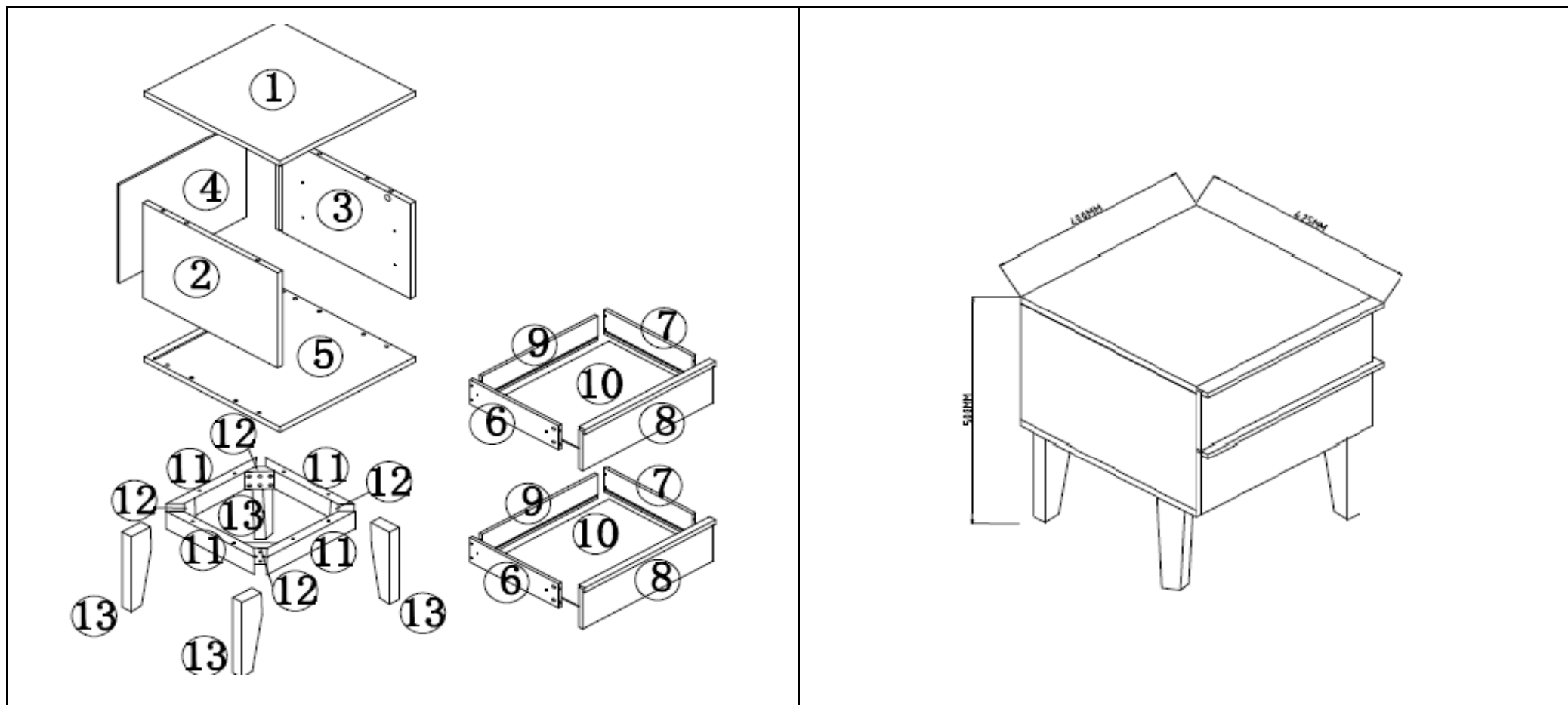


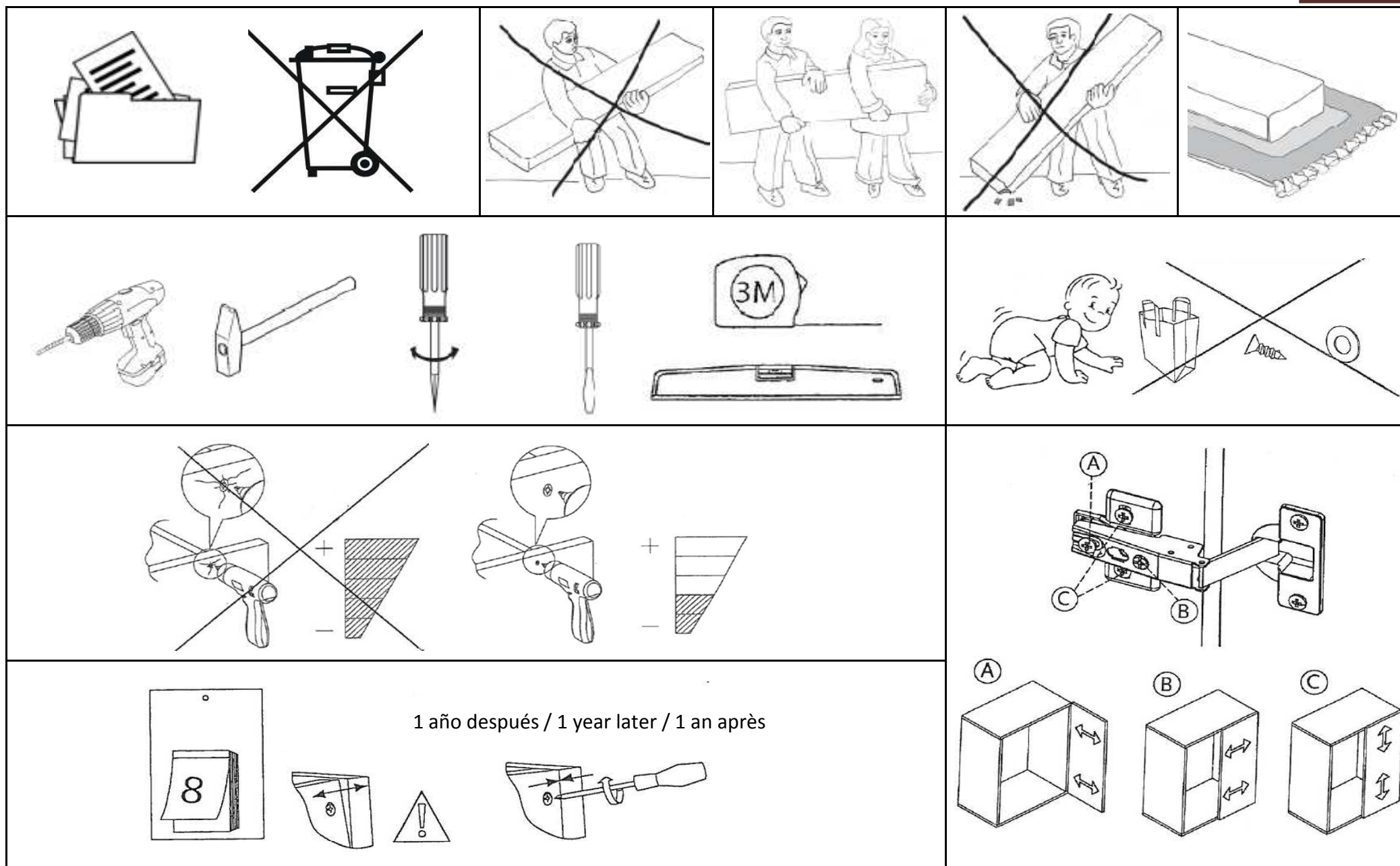
Y006

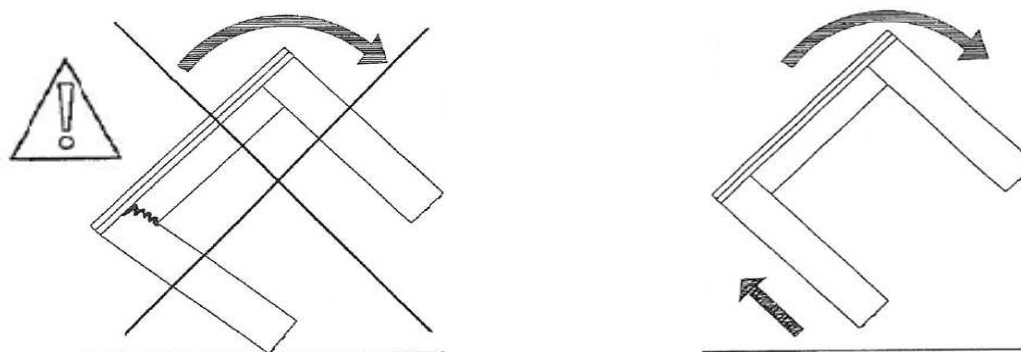
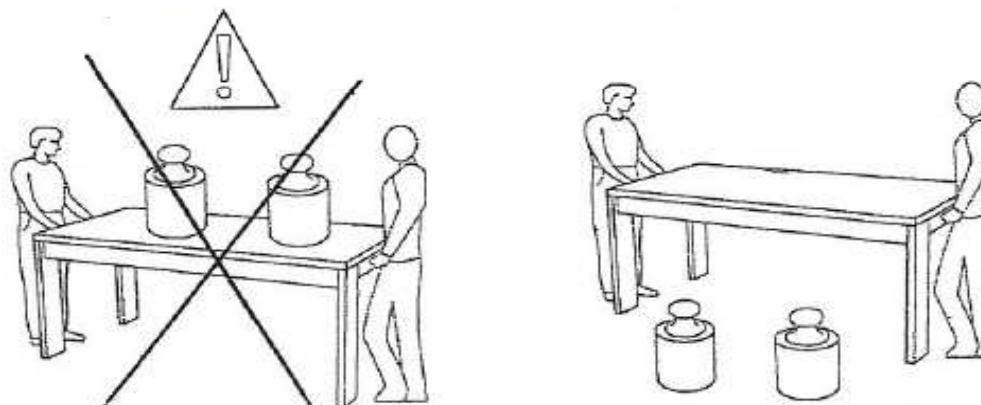
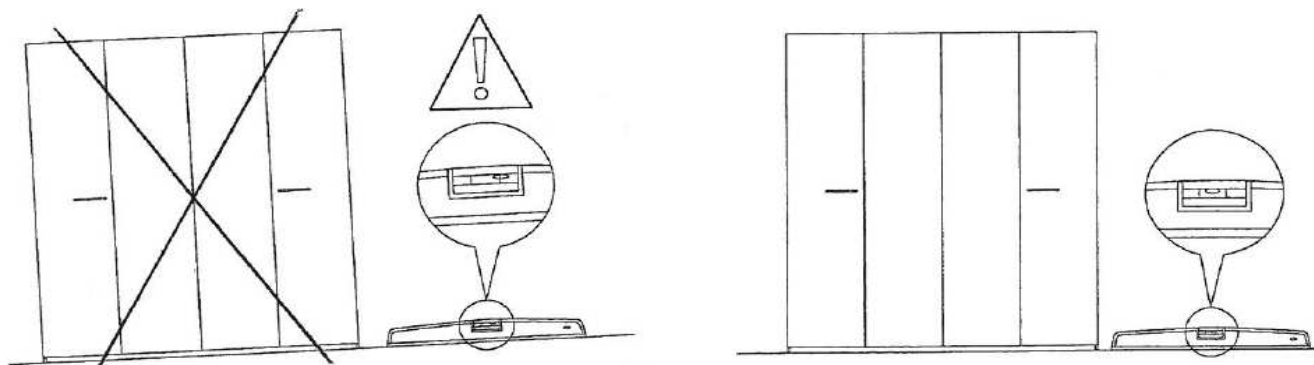


 x1	 30 min	A  $\phi 6 \times 36 \text{MM}$ x12	B  $\phi 15 \times 10 \text{MM}$ x12	C  $\phi 7.8 \times 30 \text{MM}$ x16	D  $M7 \times 50 \text{MM}$ x4	E  $M6 \times 55 \text{MM}$ x8	F  $M6 \times 38 \text{MM}$ x8	G  $\phi 16 \times \phi 8 \times 2$ x8
 x1	H  $\phi 16 \times \phi 6.5 \times 1$ x8	I  $M4 \times 35 \text{MM}$ x8	J  $M3.5 \times 14 \text{MM}$ x28	K  $M4$ x1	M  340MM x4	N  $15 \times 10 \text{MM}$ x12	O  $M6 \times 20 \text{MM}$ x16	

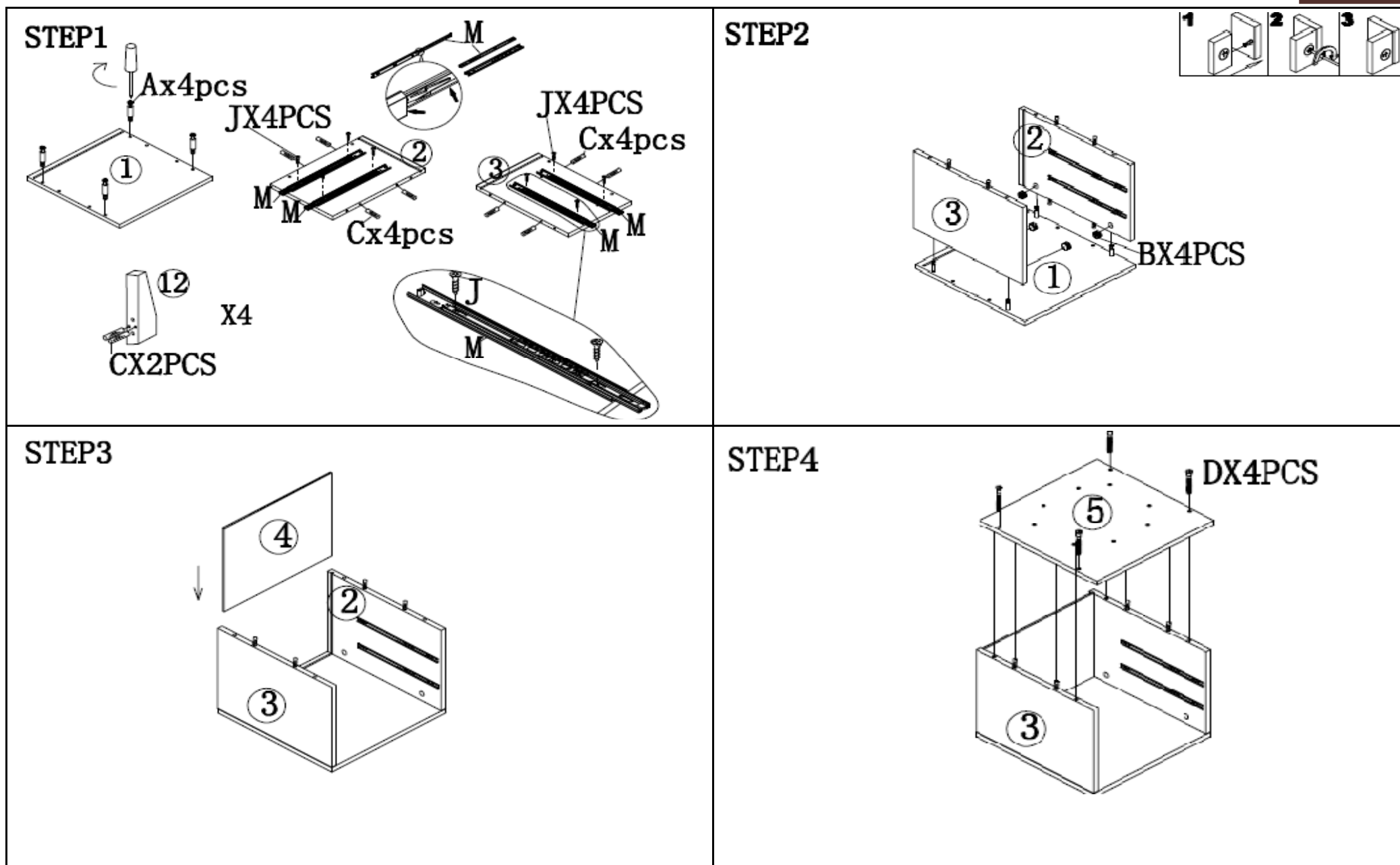


Y006





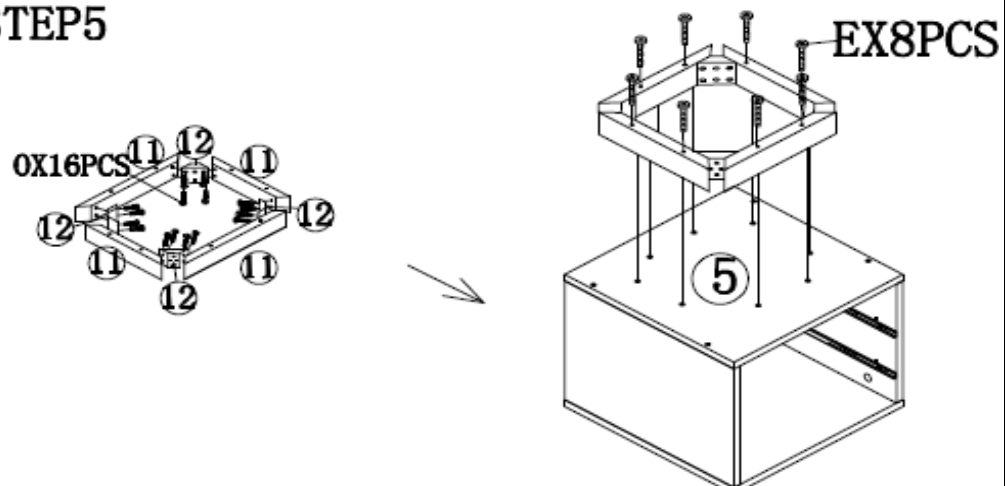
Y006



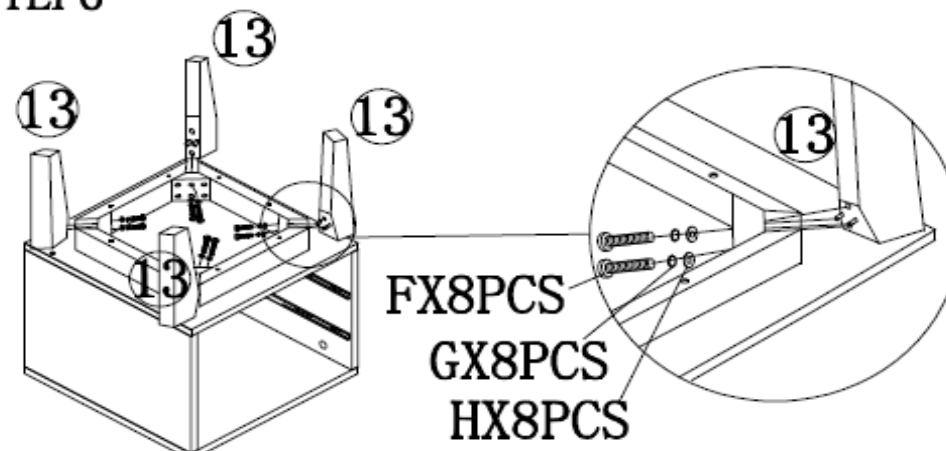
Y006



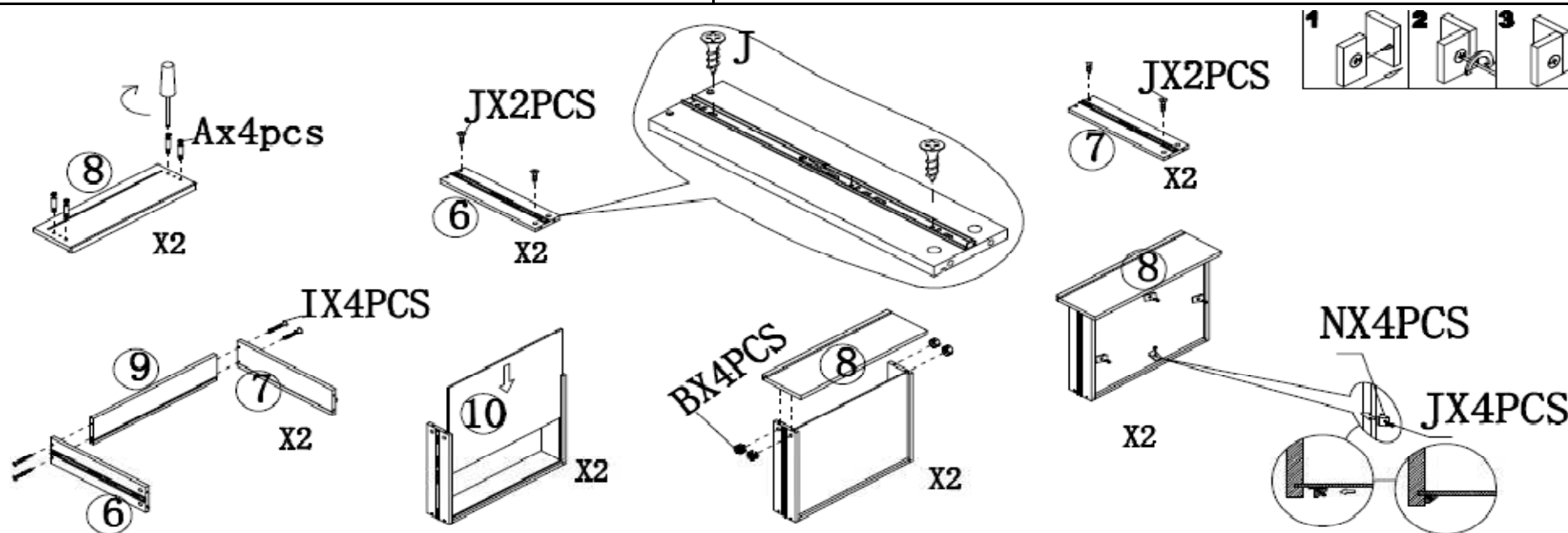
STEP5



STEP6



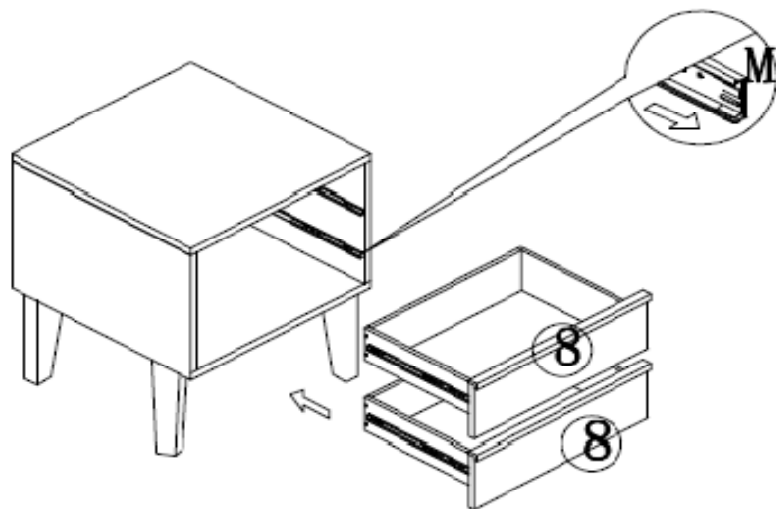
STEP7



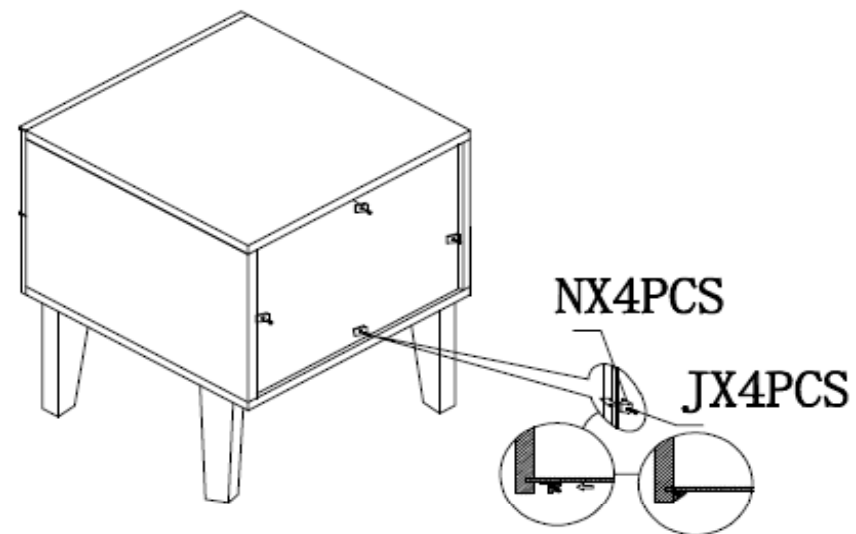
Y006



STEP8



STEP9



STEP10

