

SOAP DISPENSERS **GW04 10 01 00B 1.000 ml soap dispenser, 100mm spout**



Product description

Counter mounted soap dispenser
Head material: AISI 304 Stainless steel, polished
Shank material: Metal stem, link ABS
White polyethylene container
Safety lock
With push pump
Container capacity: 1 litre

Technical specifications:

This counter mounted soap dispenser consists of a white container made of blow moulding polyethylene, an AISI 304 stainless-steel head with a polished finish and a shank made of metal stem and links in ABS. The container holds up to 1 litre of liquid soap. The container is filled from the top of the dispenser by unfastening the top piece of the push pump with the tool provided for this purpose. The push pump is operated manually by pressure. The dimensions of the dispenser are 400 x 83 x 100 mm, and its net weight is 0.4 kg. The dispenser is installed by drilling a Ø28 mm hole on the mounting surface. It can be filled with vegetable or synthetic soap. The soap dispenser model is GW04 10 01 00B, manufactured by GENWEC WASHROOM S.L. - Av. Joan Carles I, 46-48 - c.p: 08908 L'Hospitalet de Llobregat - Barcelona. www.genwec.com.

Technical characteristics

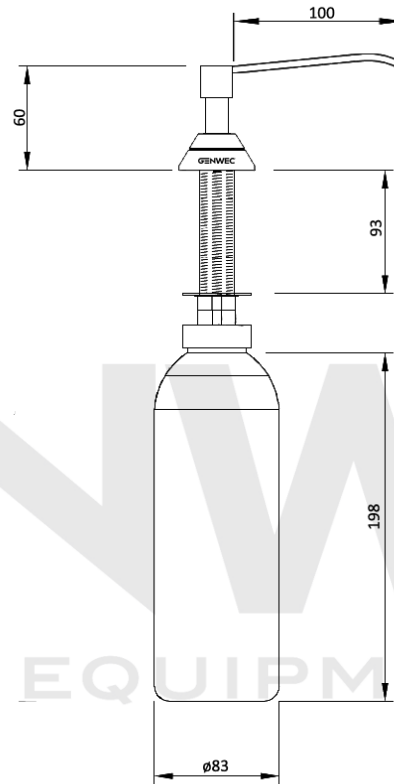
Product specifications

- Diameter of the counter hole: 28 mm
- Spout length: 120 mm
- Dispenser height: 60 mm
- Stem height: 93 mm
- Container height: 198 mm
- Diameter of the trim: 51 mm
- Head material: AISI 304 Stainless steel, polished
- Stem material: Metal stem, link ABS
- Container material: white polyethylene
- Capacity: 1 litre

Packaging specifications

- Type of individual package: Single cardboard box with a plastic bag

SOAP DISPENSERS **GW04 10 01 00B 1.000 ml soap dispenser, 100mm spout**



Cleaning: A cotton cloth slightly dampened in a soapy solution is recommended. Then dry off. Do not use any strong chemicals or cleaning agents that can be dangerous to children.

SOAP DISPENSERS **GW04 10 01 00B 1.000 ml soap dispenser, 100mm spout**

