

Collection

## HERMES ELLE

Article

### HL396\_1

Description

**Five holes deck mounted bath filler with shower**

Box Dimensions

**425x188x98 mm**

Weight

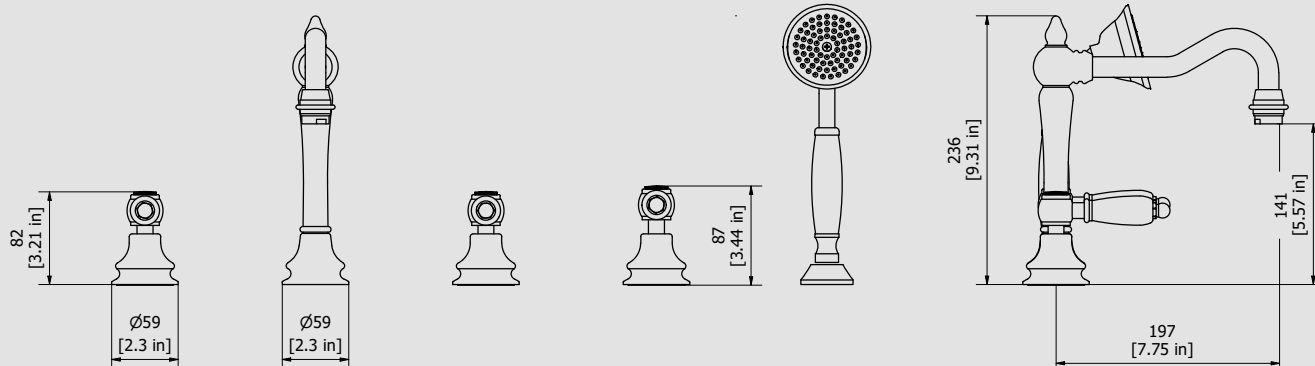
**6.1 kg**

Finishes

- **CC**  
CHROME
- **PL**  
PLATINUM
- **SS**  
BRUSHED  
NICKEL
- **ON**  
NATURAL  
BRASS
- **BO**  
MATT  
WHITE
- **NP**  
MATT  
BLACK
- **CF**  
BLACK  
CHROME
- **CS**  
BRUSHED  
BLACK  
CHROME
- **II**  
PALE  
GOLD
- **IS**  
BRUSHED  
PALE GOLD
- **RS**  
ROSE  
GOLD
- **SR**  
BRUSHED  
ROSE GOLD
- **OO**  
GOLD
- **OS**  
BRUSHED  
GOLD
- **RR**  
ANTIQUÉ  
COPPER
- **BB**  
ANTIQUÉ  
BRONZE



Dimensions



Cartridge

**Ceramic headwork**

Hoses

**Flex inox M10x1 G1/2" L350**

Aerator

**M24x1**

Flow Rate (+/-10%)

| 1 BAR   | 2 BAR  | 3 BAR  |
|---------|--------|--------|
| 9.5 l/m | 14 l/m | 17 l/m |

Production

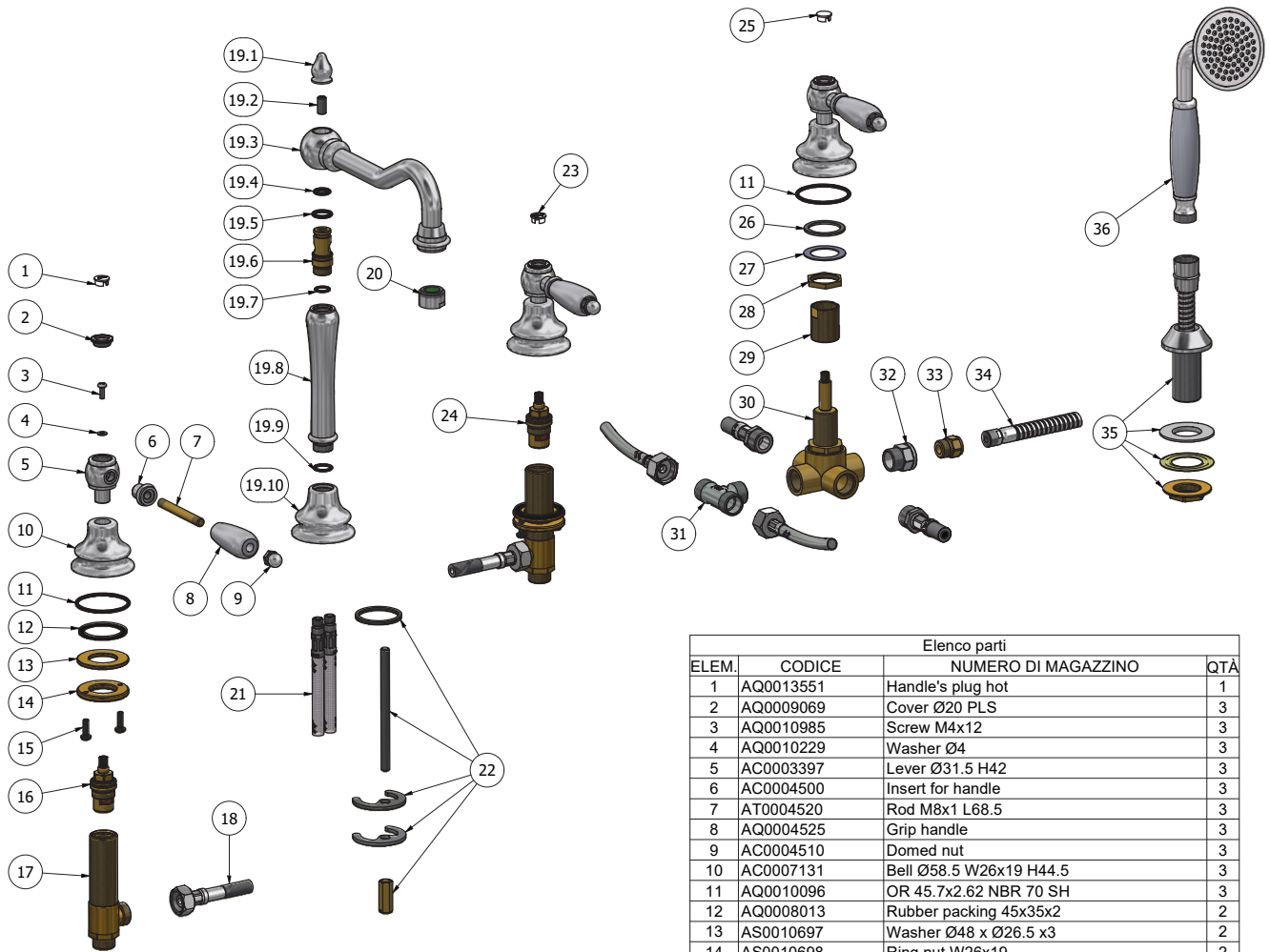
**Main body is a single casted pieces.**

Material

**BRASS**  
According to CuZn40Pb3 (CW614N)  
Max Lead content: 2.5%



WE ARE IB



| Elenco parti |               |                                      |     |
|--------------|---------------|--------------------------------------|-----|
| ELEM.        | CODICE        | NUMERO DI MAGAZZINO                  | QTÀ |
| 1            | AQ0013551     | Handle's plug hot                    | 1   |
| 2            | AQ0009069     | Cover Ø20 PLS                        | 3   |
| 3            | AQ0010985     | Screw M4x12                          | 3   |
| 4            | AQ0010229     | Washer Ø4                            | 3   |
| 5            | AC0003397     | Lever Ø31.5 H42                      | 3   |
| 6            | AC0004500     | Insert for handle                    | 3   |
| 7            | AT0004520     | Rod M8x1 L68.5                       | 3   |
| 8            | AQ0004525     | Grip handle                          | 3   |
| 9            | AC0004510     | Domed nut                            | 3   |
| 10           | AC0007131     | Bell Ø58.5 W26x19 H44.5              | 3   |
| 11           | AQ0010096     | OR 45.7x2.62 NBR 70 SH               | 3   |
| 12           | AQ0008013     | Rubber packing 45x35x2               | 2   |
| 13           | AS0010697     | Washer Ø48 x Ø26.5 x3                | 2   |
| 14           | AS0010698     | Ring nut W26x19                      | 2   |
| 15           | AQ0010358     | Inox screw M5x16 ISO 7045            | 4   |
| 16           | AQ0002135     | Ceramic headwork 90° left            | 1   |
| 17           | AS0002250     | Washbasin upright W26x19             | 2   |
| 18           | AQ0004760     | Flex inox G1/2" F G1/2" F L300       | 2   |
| 19           | CPKHR390CCX01 | Pre mounted washbasin                | 1   |
| 19.1         | AC0007124     | Knob Ø19 M8 H27.4                    | 1   |
| 19.2         | AQ0006931     | Pin M8x16                            | 1   |
| 19.3         | AC0007130     | Complete spout-out                   | 1   |
| 19.4         | AQ0001320     | OR 10.78x2.62 NBR 70 SH              | 1   |
| 19.5         | AQ0001365     | OR 13.95x2.62 NBR 70 SH              | 1   |
| 19.6         | AS0007129     | Insert Ø18.9 G3/8" H 43 M8           | 1   |
| 19.7         | AQ0001350     | OR 11.11x1.78 NBR 70 SH              | 1   |
| 19.8         | AC0007128     | Extension Ø30 Ø27 M18x1 H139         | 1   |
| 19.9         | AQ0001390     | OR 14x2 NBR 70 SH                    | 1   |
| 19.10        | AC0007132     | Base for extension Ø58.5 H45 M18x1   | 1   |
| 20           | AQ0009067     | Neostrahl M24X1 (01.9664.1)          | 1   |
| 21           | AQ0000920     | Flex inox M10x1 G1/2" L350           | 2   |
| 22           | AQ0007030     | Fixing set                           | 1   |
| 23           | AQ0013552     | Handle's plug cold                   | 1   |
| 24           | AQ0003930     | Ceramic headwork 90° right           | 1   |
| 25           | AQ0013323     | Neutral handle's plug                | 1   |
| 26           | AQ0009716     | Rubber packing 38x30x2               | 1   |
| 27           | AQ0001650     | Inox washer 39 x 26.5 x 1            | 1   |
| 28           | AS0002010     | Clamping nut 26 x 19 H5 CH30         | 1   |
| 29           | AS0009995     | Bush for headwork W26 x 19 W22 x 19  | 1   |
| 30           | AQ0009455     | Diverter 2 in 2 out                  | 1   |
| 31           | AQ0009808     | T connection G1/2" male              | 1   |
| 32           | AQ0004860     | Reduction G1/2" M G3/8" F            | 1   |
| 33           | AS0009018     | Nipples G3/8" M15x1 H21.2            | 1   |
| 34           | AQ0009456     | FLex inox M15x1 G1/2" cono L2000     | 1   |
| 35           | AQ0006630     | Handshower's support with fixing set | 1   |
| 36           | AQ0008031     | Old America shower white             | 1   |



### WARRANTY

All IB Rubinetterie SpA products are warranted for 10 years from the date of purchase, for the following cases:

- Defects of casting, porosity and chrome plating.
- Operating defects caused by incorrect fabrication.

The warranty provides for repair or replacement of products with fabrication defects recognized by our technical office. There is no other type of compensation anche the merchandise must be returned FOB our warehouse. The warranty only cover surface defects (scatches, dings, etc.) on fitting that have not been installed and used, returned in its original packaging with all components. O-ring, gasket seals and components subject to wear proportional to use are warranted for 2 years.

### The warranty is void in the following cases:

Error installing and putting the product into service.

Deterioration of finished surfaces due to use of cleaning products containing acids or abrasive substances. Deterioration of surface with finishes other than chrome plating. Their durability is, in fact, dependent on the user's care and gentleness of use.

Deterioration of the fitting due incorrect installation.

Improper repairs and maintenance performed without the company's prior authorization.

The warranty from IB Rubinetterie SpA is not renewable.

### Cleaning

We recommended cleaning the finish surfaces with water and soap, using a soft cloth.

Do not use detergents that contain hydrochloric acid or abrasive substances.

