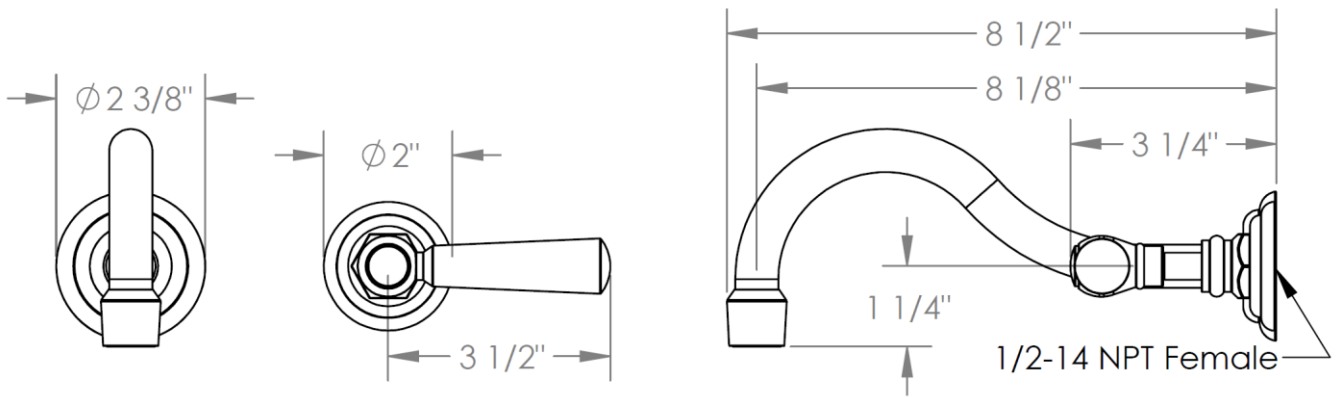


206-1.2M-
Wall Mounted 2 Hole Lavatory Set
For use with SS-SHV1.2 concealed rough
Flow Rate: 1.2 GPM



Meets the applicable requirements of ASME A112.18.1-2005/CSA B125.1-05, entitled "Plumbing Supply Fittings"

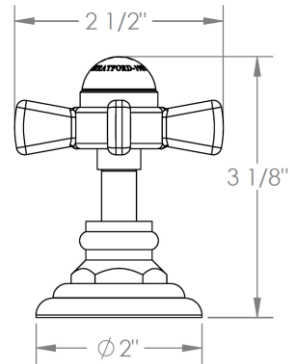
WATERMARK DESIGNS

10/15/2018

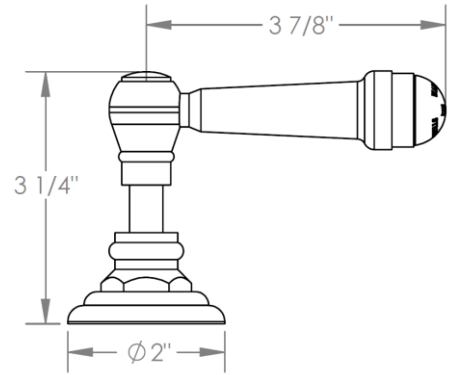
350 Dewitt Ave Brooklyn NY 11207 USA T 718 257 2800 F 718 257 2144 info@watermark-designs.com

ADDITIONAL HANDLE OPTIONS

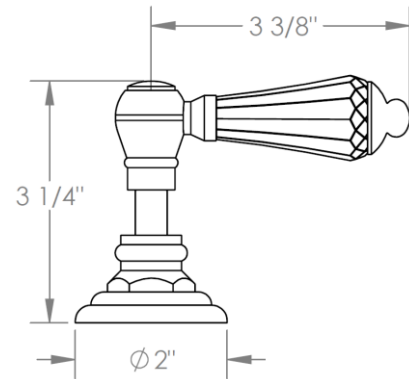
S1 - PRESTON



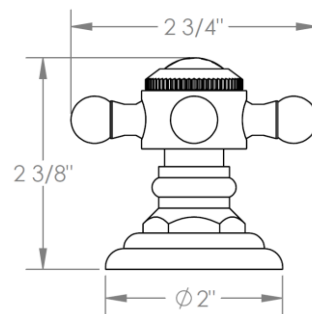
S2 - WALTHAM



SWA - DARIEN



V - WALES



S1A – NOTTINGHAM

