

**US** Installation instructions

## Contents

---

User information	3
Care and cleaning	3
Product information	4
Mounting	4
Shortening the rails	6
Demounting	7

---

**HEWI support**

+1 646 405 10 32

## Exclusion of liability

HEWI accepts no liability whatsoever for damage to persons or property that occurs or has occurred as a result of improper mounting or maintenance, particularly if the safety instructions and other points to note listed are not or have not been observed in full. HEWI accepts no liability whatsoever for damage occurring from incorrect cleaning.

## Safety instructions



### CAUTION!

### Risk of injuries

Comply with the intended purpose, stated maximum load and fixing instructions.

## Safety instructions

These instructions are intended for qualified skilled personnel and the user of the installed product. Following installation, the instructions must be made available to the user.

- Follow with the installation instructions and instructions for use.
- In case of questions, problems, uncertainties or if damage occurs, contact the HEWI support service.
- Ensure that the product is installed, maintained and repaired by qualified, skilled personnel only.
- Check the product for damage on acceptance. Report defects immediately.
- Install/use the product only:
  - in accordance with its intended purpose
  - in its original condition without modifications
  - in perfect condition
- Use original spare parts only.
- Use only HEWI fixing materials.
- Ensure that the wall is suitable for mounting the product.
- Only use as a rail for shower curtains.
- Only use in closed rooms.

## Cleaning



### CAUTION!

### Risk of injury

Improper cleaning can cause damage to the surface and lead to injuries.

- Clean the product as and when required.
- Follow the manufacturer's instructions regarding concentration, contact time, etc.
- Always apply the cleaning product on a cloth; do not apply it directly on the surface.
- Rinse with cold water immediately after cleaning.
- Note the material-specific information on suitable/unsuitable cleaning products.
- Try out all products on an inconspicuous area before use.
- Do not use any products with unknown composition.

### Unsuitable cleaning products

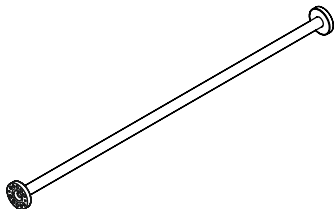
- Abrasive products/objects (e.g. scouring agents, scourer sponge, brushes, steel wool, microfibres, dirt erasers)
- Alkaline, acidic and chlorine-based cleaning products, solvents
- Steam cleaners
- Do not treat metal components with objects containing iron (e.g. scourer sponge, steel wool).

## Disposal

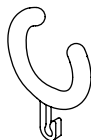
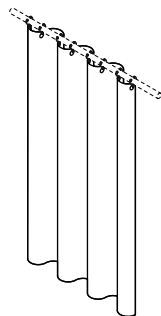
Disposal of the product and packaging is subject to the relevant national regulations.

**Product information**

900.34.401...  
900.34.402...

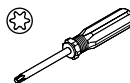
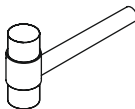
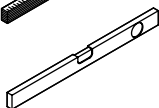
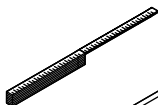


801.34...

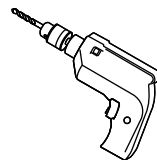


921056  
(5 pieces)

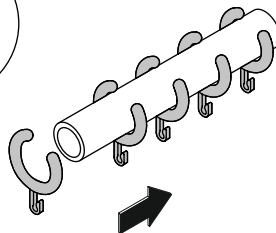
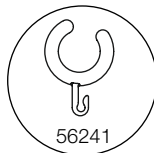
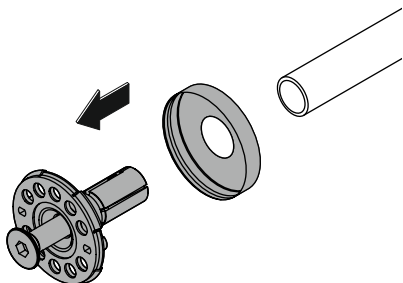
Tools required



5/16"



Ø 5/16"

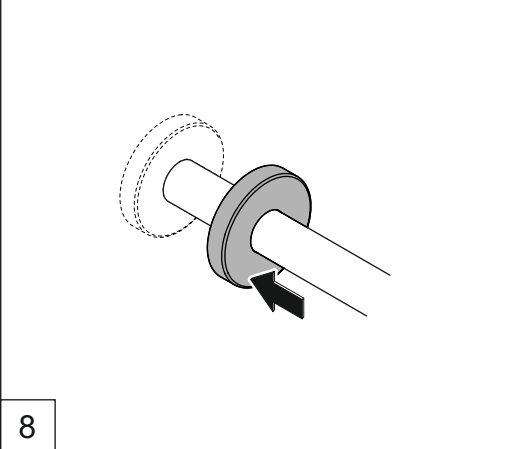
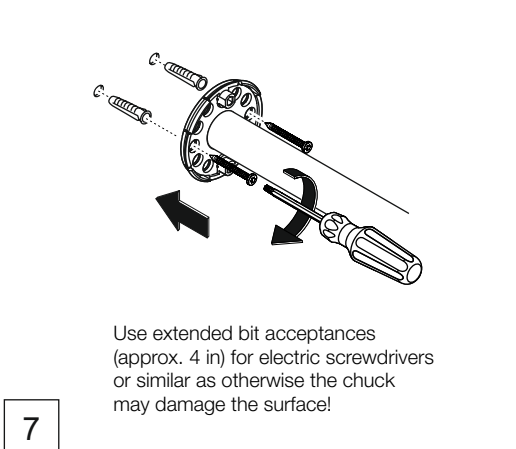
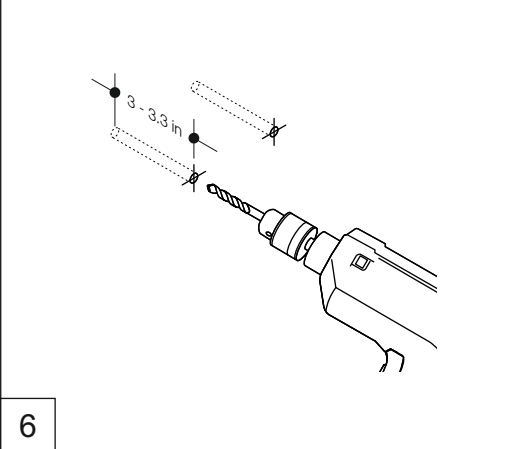
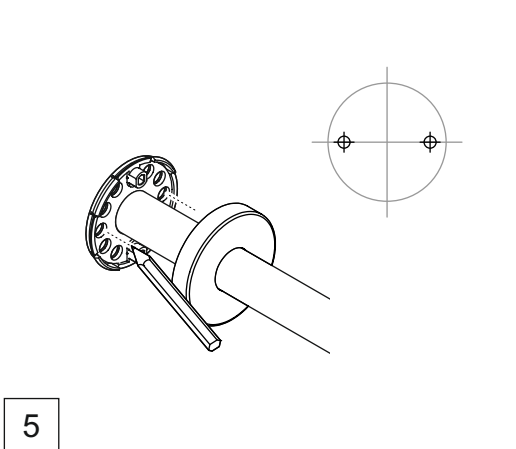
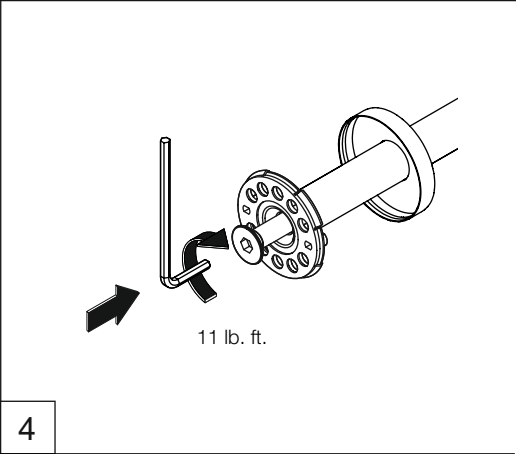
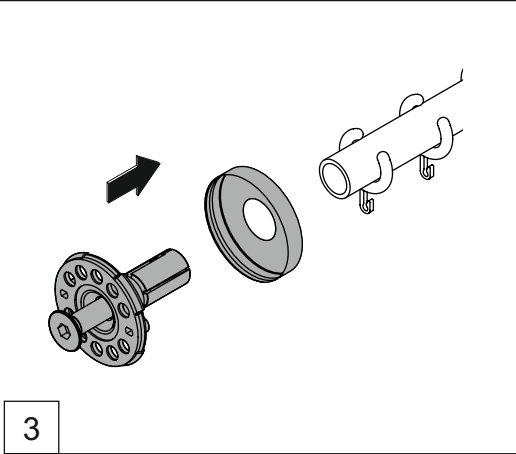


Hook opening facing inward!

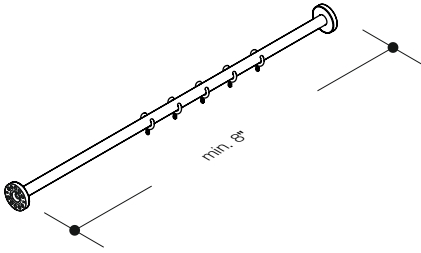
1

7 | HEWI

2

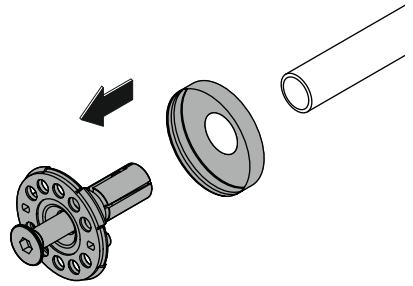


# Shortening the shower curtain rails



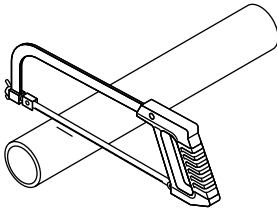
Allow 0.28" for rosette thickness.

1



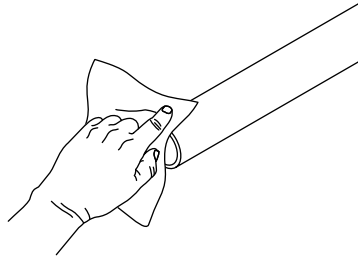
2

7 | HEWI



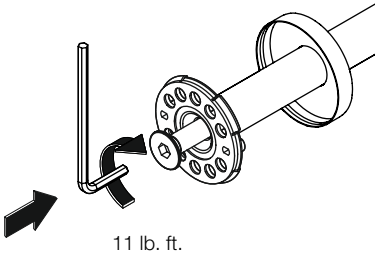
Cut at right angle.

3

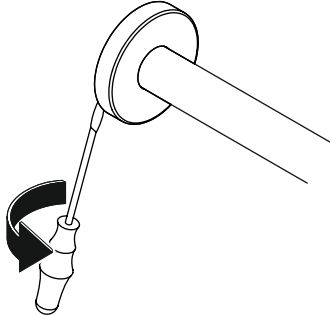


Remove the burr inside and outside.  
Clean pipe inside diameter using  
residue-free silicone and oil-free cleaning  
products (e.g. methylated spirits).

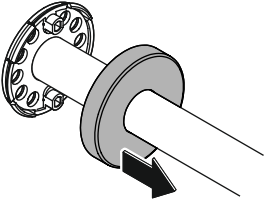
4



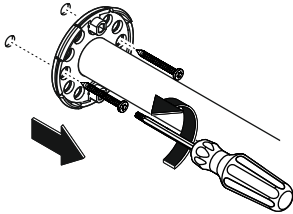
5



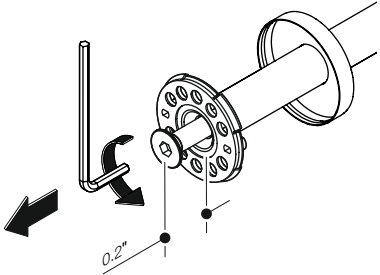
1



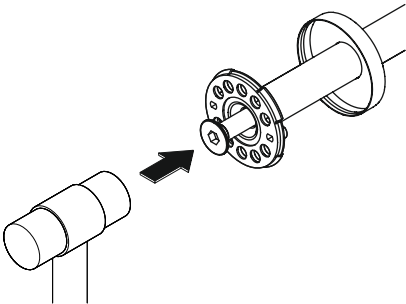
2



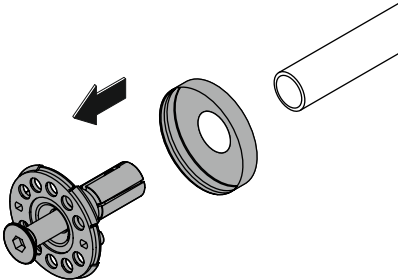
3



4



5



6

# HEWI

[www.hewi.com](http://www.hewi.com)

## **Deutschland**

HEWI Heinrich Wilke GmbH

Postfach 1260

D-34442 Bad Arolsen

Telefon: +49 5691 82-0

Telefax: +49 5691 82-319

[info@hewi.de](mailto:info@hewi.de)