

VOLA 1611, 1621, 1641T8

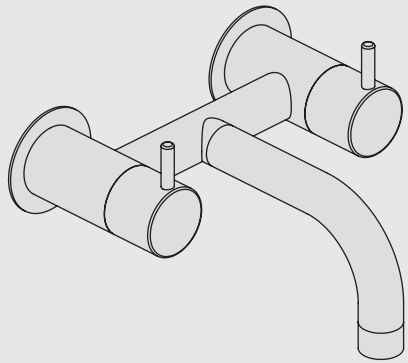
VOLA 1671, 1671-HT2

Fitting instruction  
 Montageanleitung  
 Monteringsvejledning  
 Monteringsvægledning  
 Montage hanleiding  
 Manuel de montage

Data	Bar:	1	2	3	4	5
1611/1621	l/min	13.4	18.9	23.2	26.8	30.0
	Gal/min	3.5	5.0	6.1	7.1	7.9
1641	l/min	11.4	16.2	19.8	22.9	25.6
	Gal/min	3.0	4.3	5.3	6.1	6.8
1641 - T2	l/min	6.6	9.4	11.5	13.3	14.8
	Gal/min	1.74	2.5	3.0	3.5	3.9
1671 - T2	l/min	9.9	14.0	17.2	19.9	22.2
	Gal/min	2.6	3.7	4.5	5.3	5.9

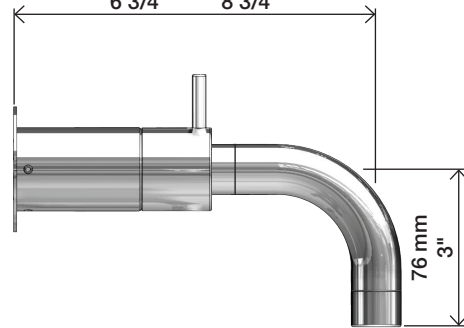


Max. 65°C. 150°F



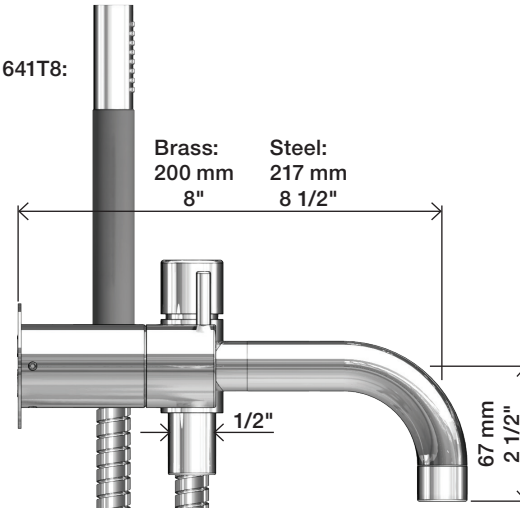
1611: A 1621: B

A 170 mm 6 3/4"  
 B 220 mm 8 3/4"

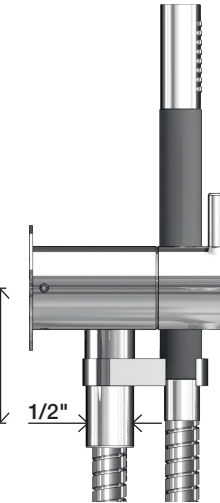


1641T8:

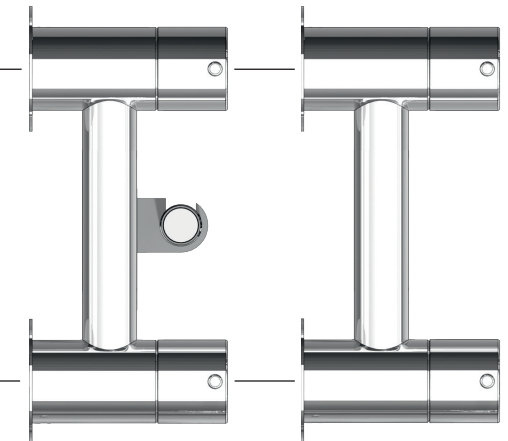
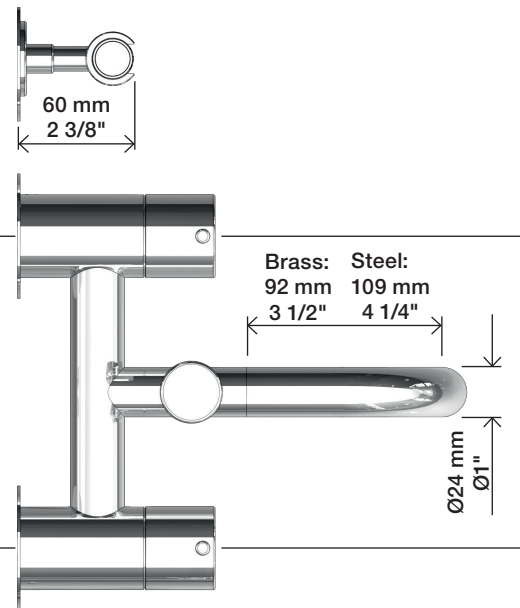
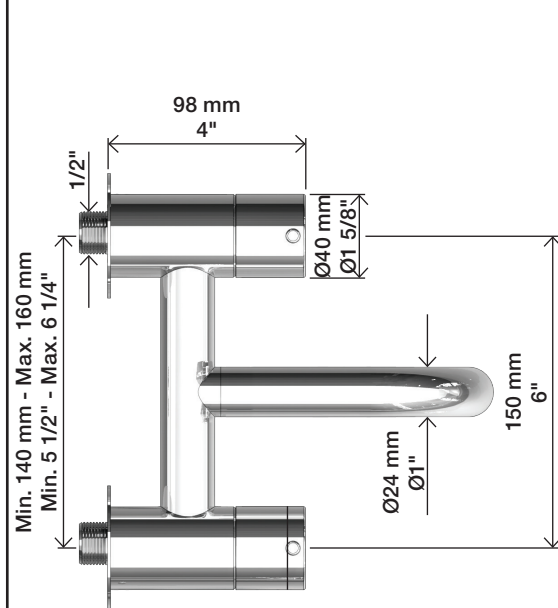
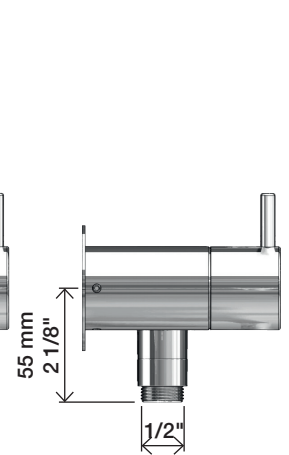
Brass: 200 mm 8"  
 Steel: 217 mm 8 1/2"



1671:



1671-HT2:

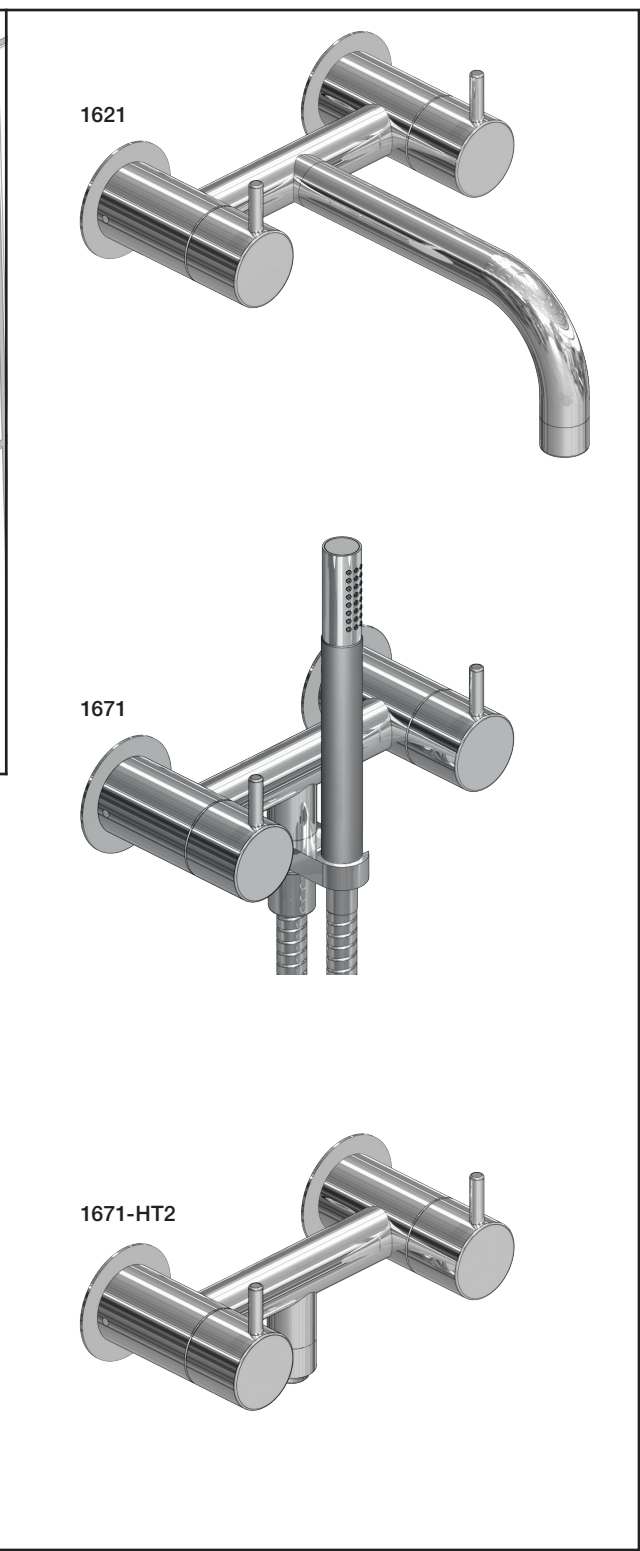
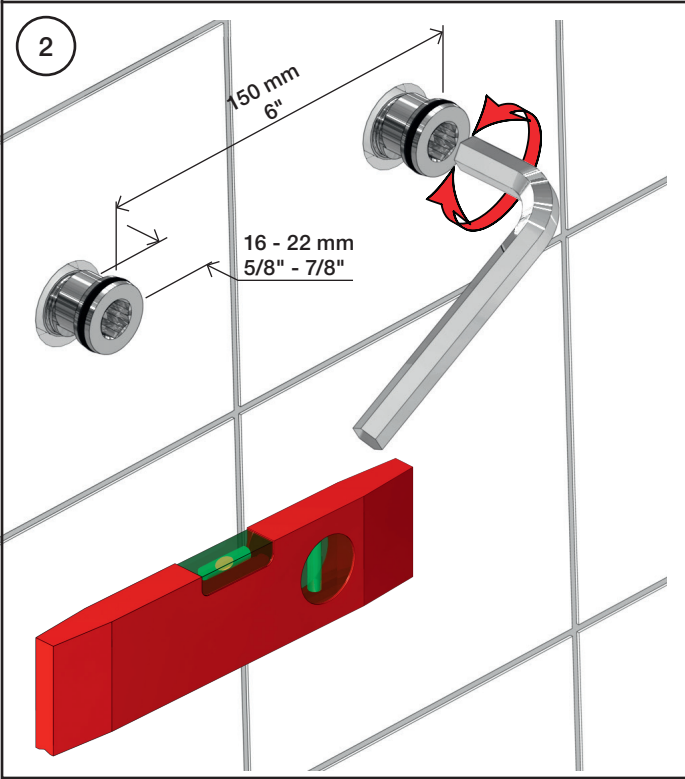
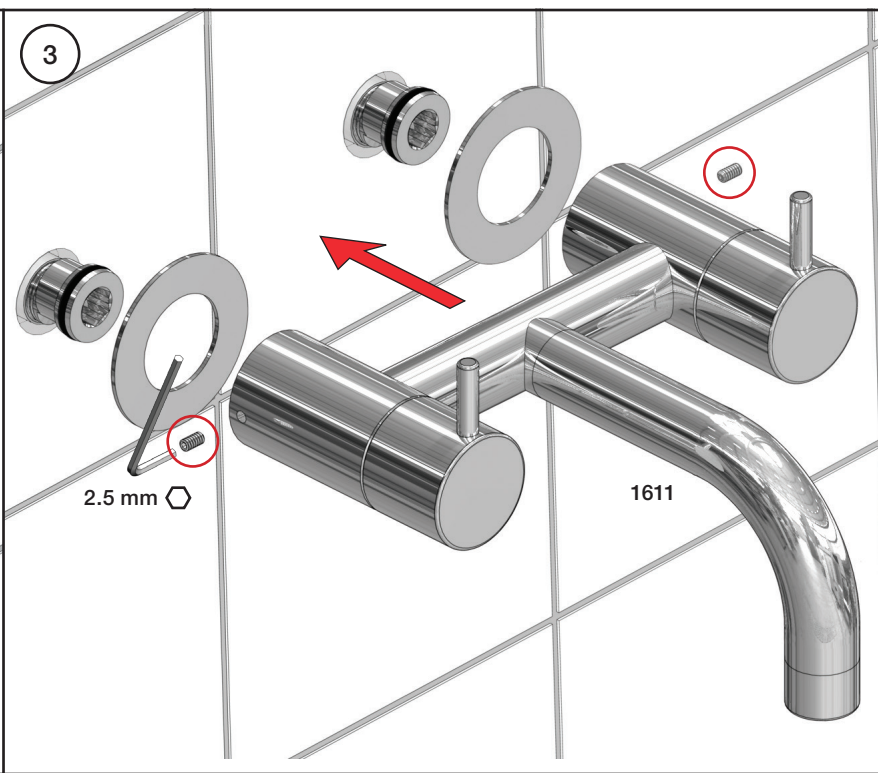
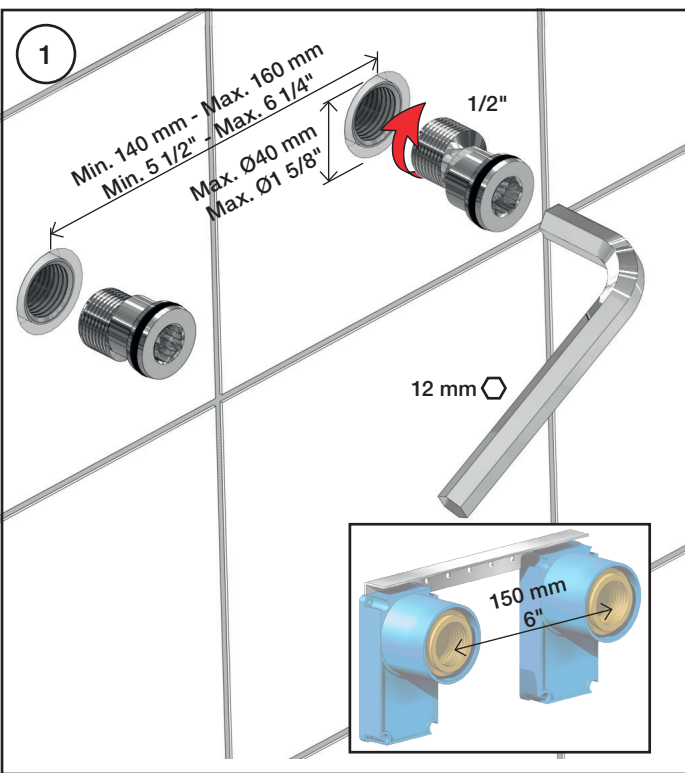


www.vola.com

mnt\_1600\_V1\_40999692  
 26-03-2021

vola

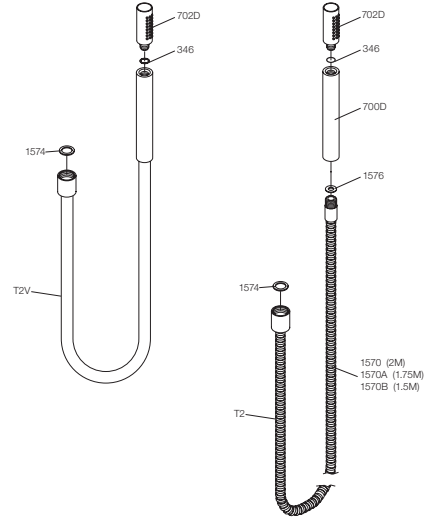
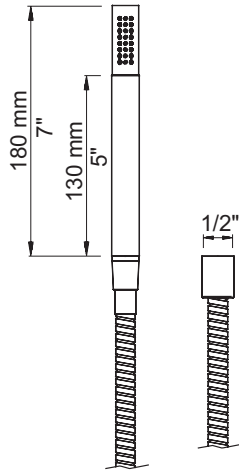


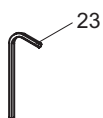
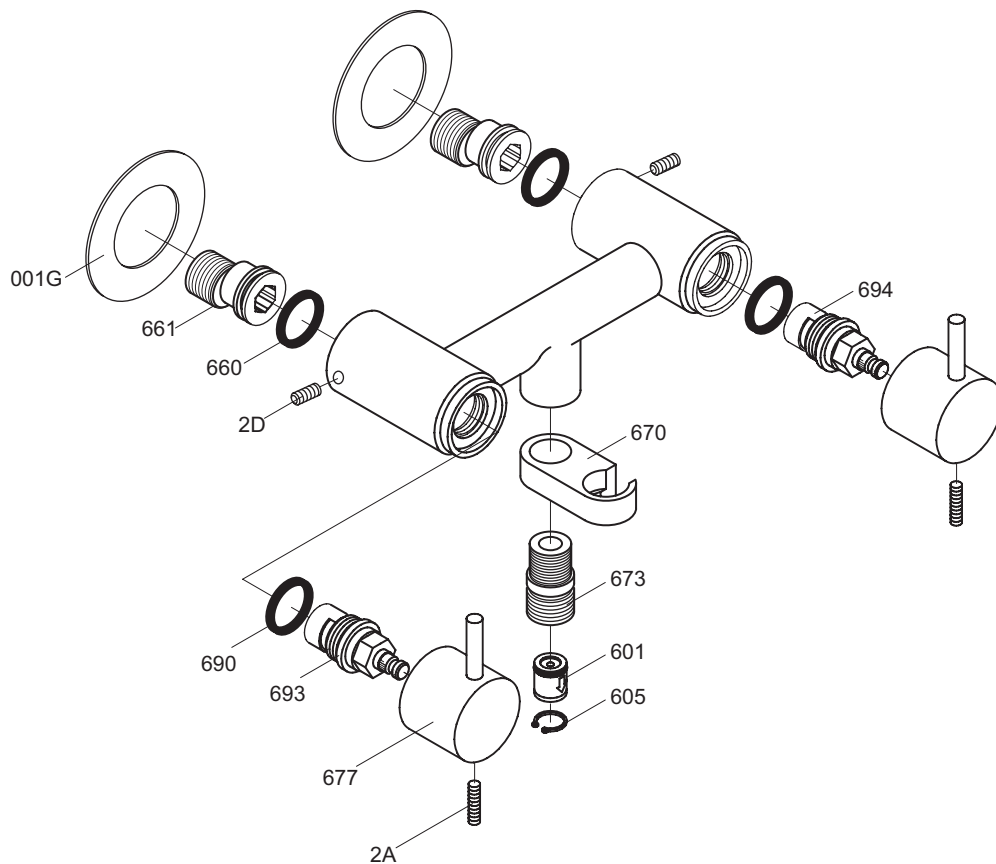


# VOLA T2



# VOLA T2





vola  
 Lunavej 2  
 DK-8700 Horsens  
 Tlf : + 45 7023 5500  
 sales@vola.com  
 www.vola.com

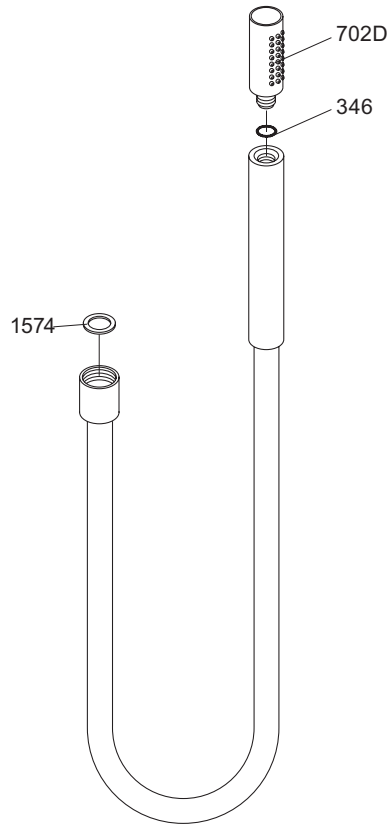
# VOLA 1671

Date  
 Jan. 96

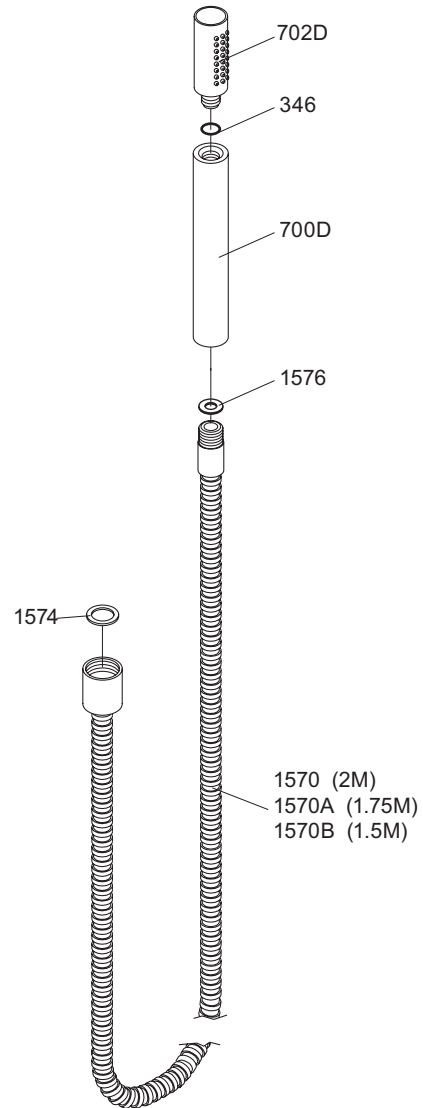
Rev.  
 1

Sheet  
 SB 51

T2V:



T2:



vola

Lunavej 2  
DK-8700 Horsens  
Tlf : + 45 7023 5500  
sales@vola.com  
www.vola.com

## VOLA T2V & T2

Date  
Sep. 07

Rev.  
1

Sheet  
SB 40