

VOLA 1611, 1621, 1641T8

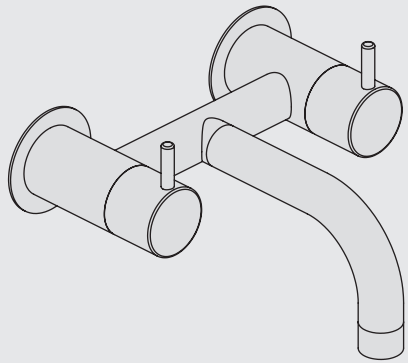
VOLA 1671, 1671-HT2

Fitting instruction
 Montageanleitung
 Monteringsvejledning
 Monteringsvægledning
 Montage hanleiding
 Manuel de montage

| Data | Bar: | 1 | 2 | 3 | 4 | 5 |
|-----------|---------|------|------|------|------|------|
| 1611/1621 | l/min | 13.4 | 18.9 | 23.2 | 26.8 | 30.0 |
| | Gal/min | 3.5 | 5.0 | 6.1 | 7.1 | 7.9 |
| 1641 | l/min | 11.4 | 16.2 | 19.8 | 22.9 | 25.6 |
| | Gal/min | 3.0 | 4.3 | 5.3 | 6.1 | 6.8 |
| 1641 - T2 | l/min | 6.6 | 9.4 | 11.5 | 13.3 | 14.8 |
| | Gal/min | 1.74 | 2.5 | 3.0 | 3.5 | 3.9 |
| 1671 - T2 | l/min | 9.9 | 14.0 | 17.2 | 19.9 | 22.2 |
| | Gal/min | 2.6 | 3.7 | 4.5 | 5.3 | 5.9 |

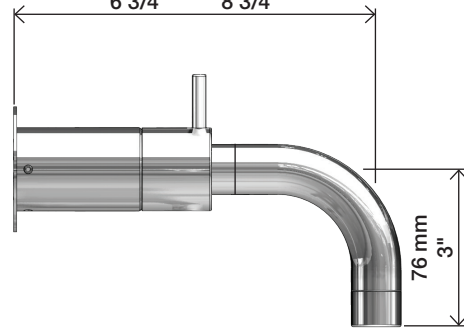


Max. 65°C. 150°F



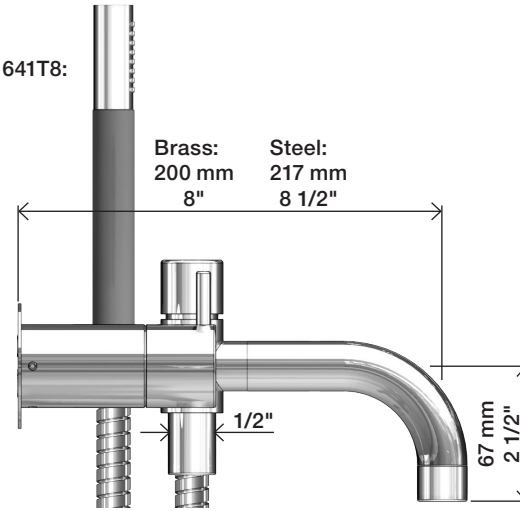
1611: A 1621: B

A 170 mm 6 3/4"
 B 220 mm 8 3/4"

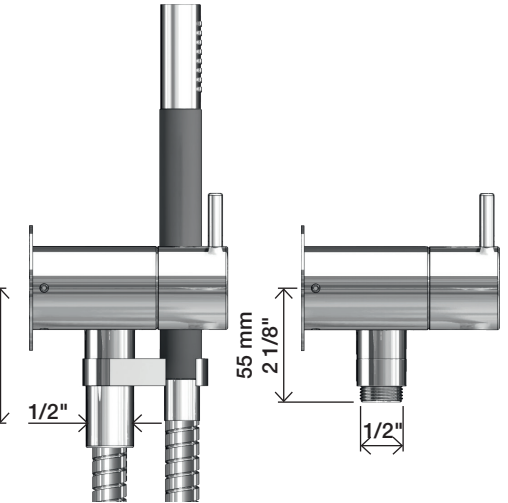


1641T8:

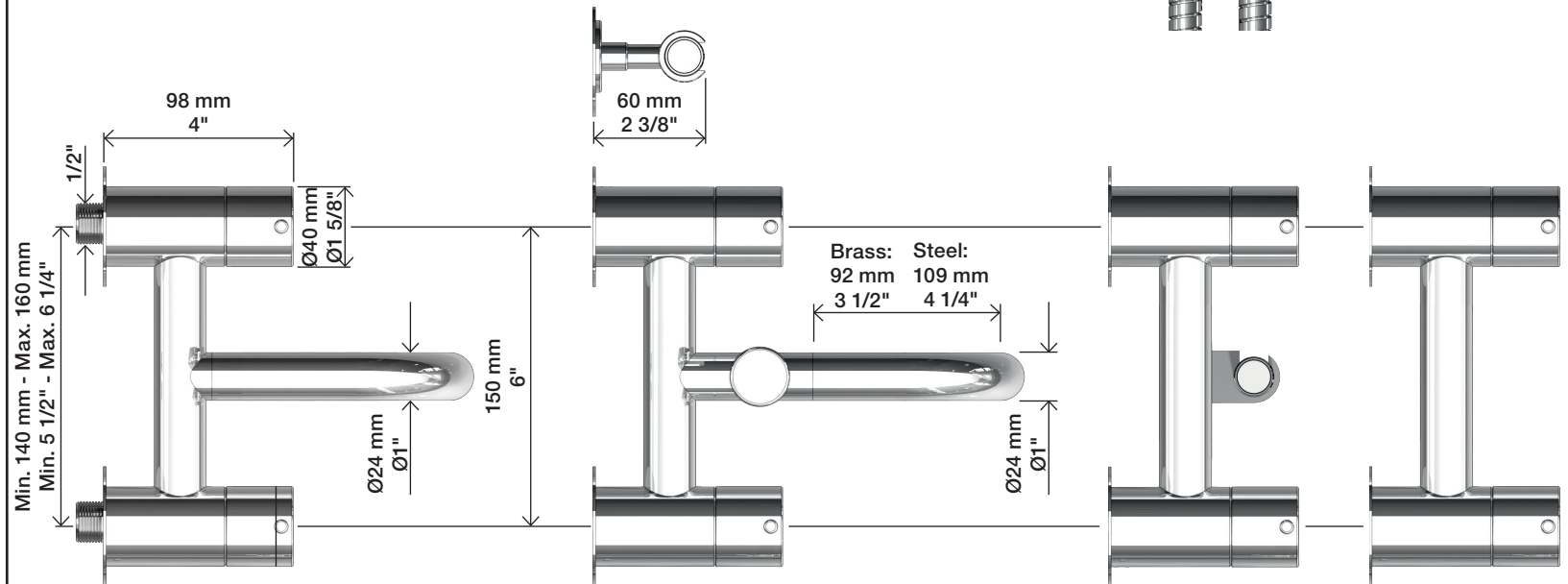
Brass: 200 mm 8"
 Steel: 217 mm 8 1/2"



1671:



1671-HT2:

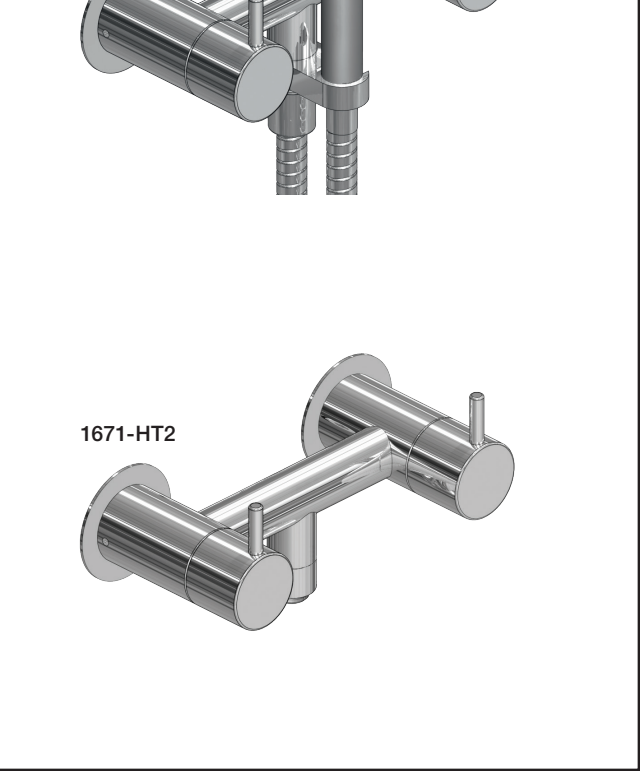
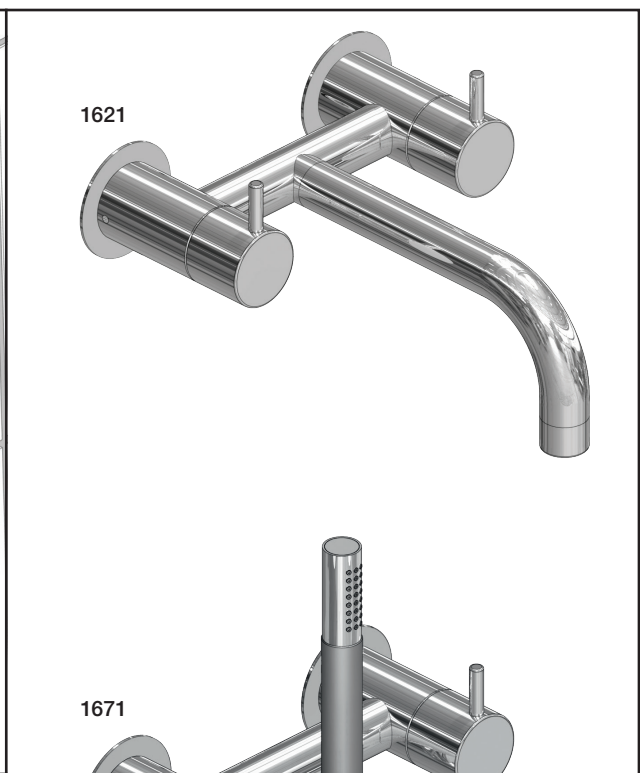
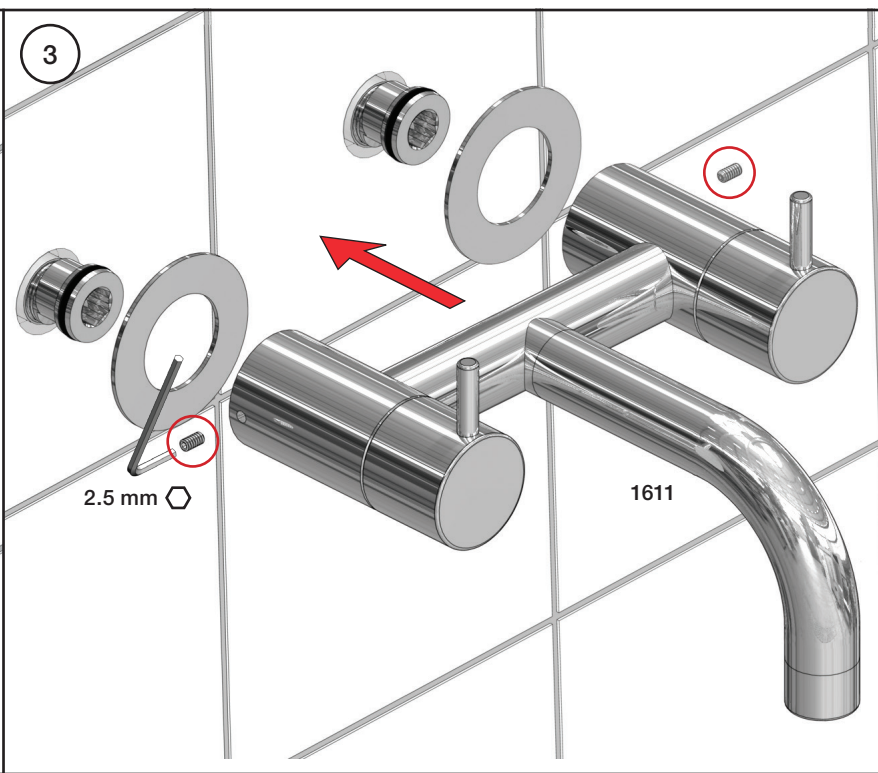
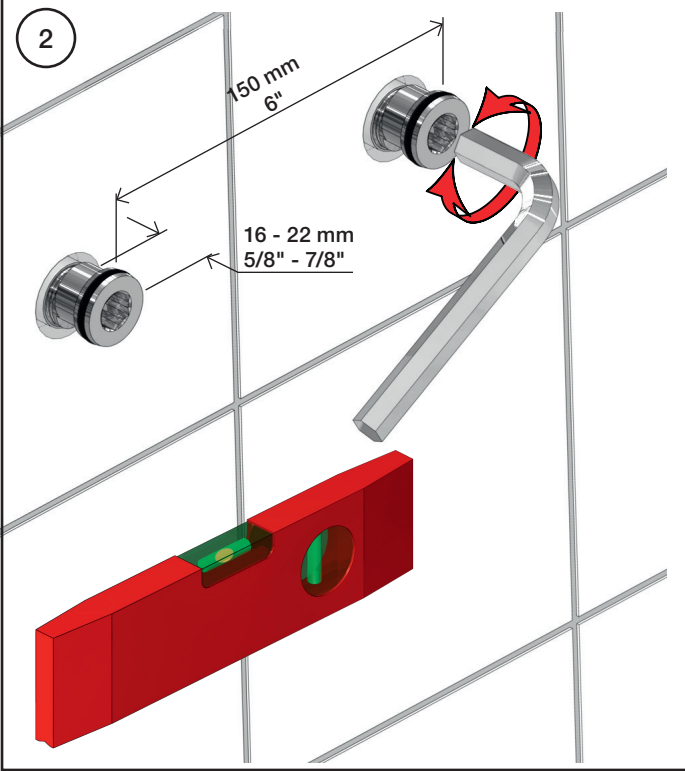
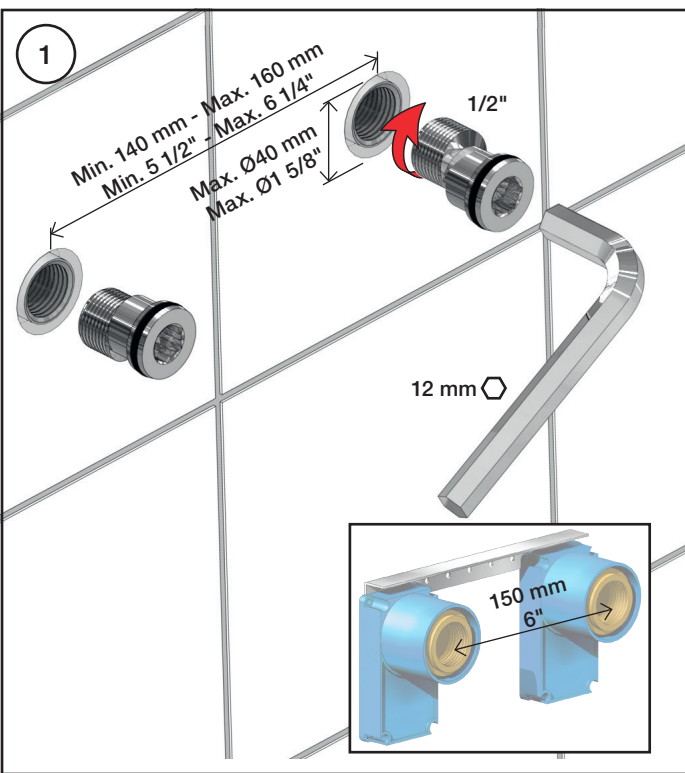


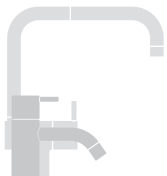
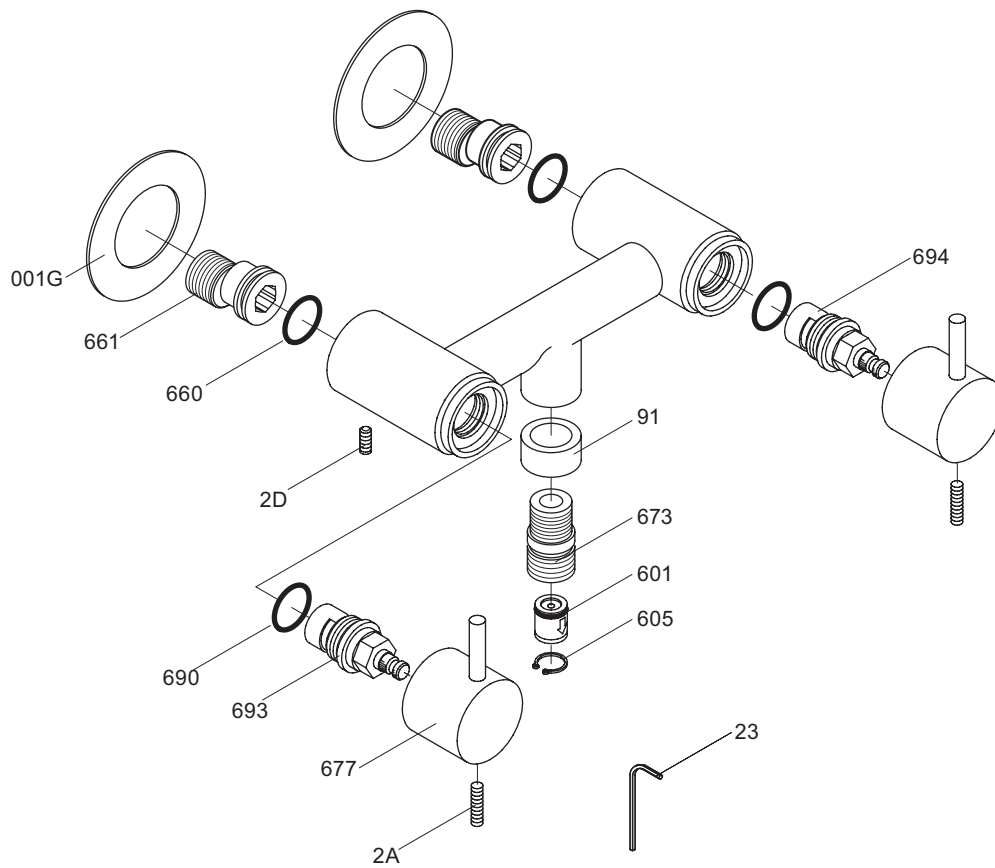
www.vola.com

mnt_1600_V1_40999692
 26-03-2021

vola







vola

Lunavej 2
 DK-8700 Horsens
 Tlf : + 45 7023 5500
 sales@vola.com
 www.vola.com

VOLA 1671HT2

Date
 Jan. 96

Rev.
 1

Sheet
 SB 51.1