

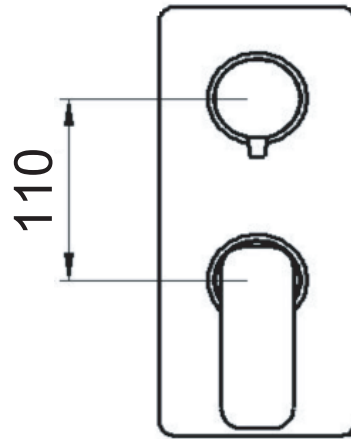
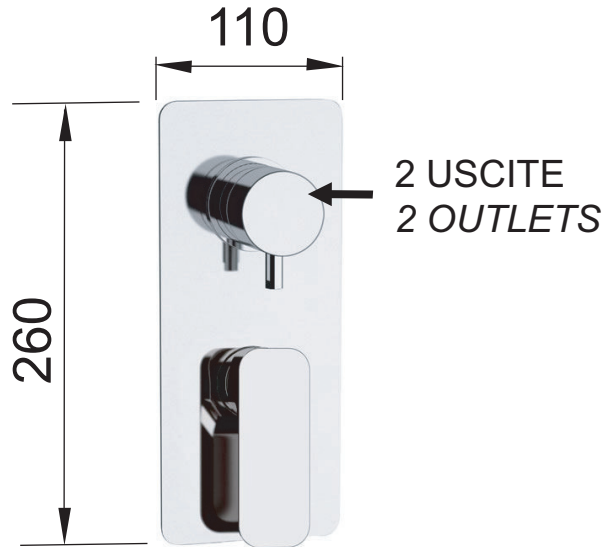


DANIEL

SCHEDA TECNICA TECHNICAL FEATURES

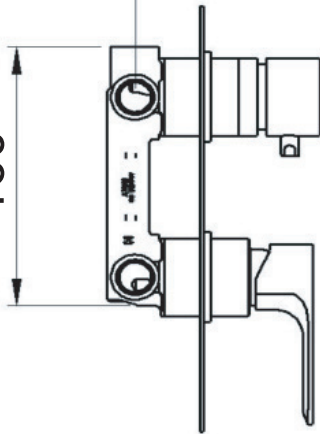
ART. COD.

TA612D2



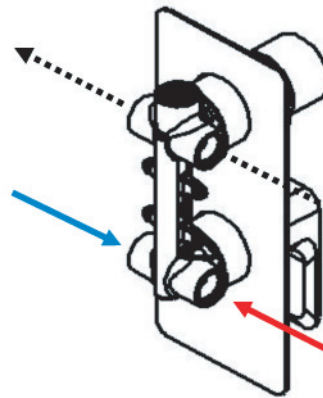
18/58

160



USCITA 1
OUTLET 1
G1/2

ENTRATA
ACQUA FREDDA
COLD WATER
INLET
G1/2



USCITA 3
OUTLET 3
G1/2

ENTRATA
ACQUA CALDA
HOT WATER
INLET
G1/2

MATERIALI / MATERIALS

OTTONE CROMATO / CHROME PLATED BRASS

CROMATURA / CHROME PLATING

UNI EN 248