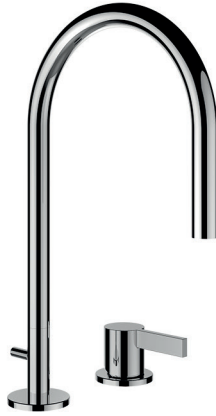


KARTELL BY LAUFEN

2-holes basin single lever mixer with pop-up waste 3.1133.2.004.221.1 without pop-up waste 3.1133.2.004.220.1



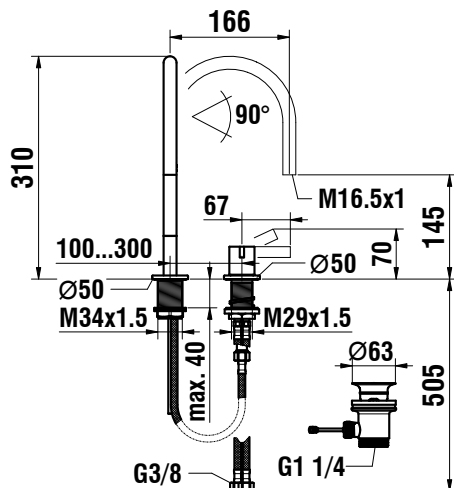
TECHNICAL DATA / WITH POP-UP WASTE

Order no.	3.1133.2.004.221.1
Connection	3/8" flexible connection hoses
Spout length	166 mm
Flow rate	5.7 l/min (3 bar)
Acoustic class	I/-
Specification	2-holes basin single lever mixer 25 mm cartridge swivel spout
Accessories incl.	pop-up waste 1 1/4"
Surface finish	chrome

TECHNICAL DATA / WITHOUT POP-UP WASTE

Order no.	3.1133.2.004.220.1
Connection	3/8" flexible connection hoses
Spout length	166 mm
Flow rate	5.7 l/min (3 bar)
Acoustic class	I/-
Specification	2-holes basin single lever mixer 25 mm cartridge swivel spout
Surface finish	chrome

TECHNICAL DRAWINGS



TECHNICAL DRAWINGS

