

### Features

- Spacious design accommodates up to two bathers.
- Safeguard® slip-resistant surface on bath floor.
- Integral flange helps prevent water from seeping behind wall and simplifies alcove installation.

### Material

- KOHLER® enameled cast iron.

### Installation

- Left drain.
- Alcove.

### Required Products/Accessories

K-7147-AF 1-1/2" Contoured Pop-up Drain

### Recommended Products/Accessories

K-587 Under-Mount Installation Kit  
K-23726 Drain treatment  
K-23725 Cast iron cleaner



### Codes/Standards

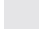












ASME A112.19.1/CSA B45.2  
ASTM F462

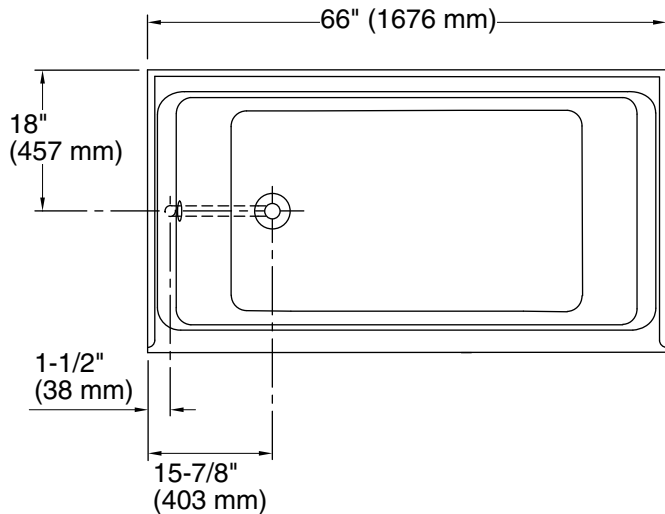
### KOHLER® Enameled Cast Iron Bath and Shower Base Lifetime Limited Warranty

See website for detailed warranty information.

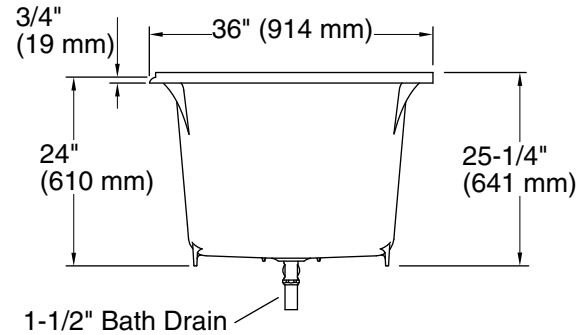
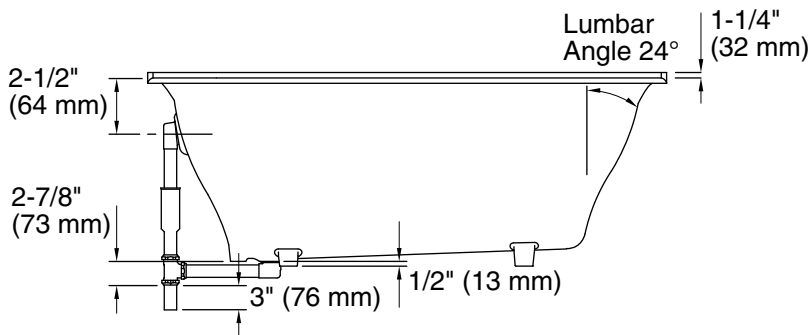
### Available Colors/Finishes

*Color tiles intended for reference only.*

Color	Code	Description
	0	White
	96	Biscuit
	47	Almond
	NY	Dune
	95	Ice™ Grey
	G9	Sandbar
	33	Mexican Sand™
	K4	Cashmere
	58	Thunder™ Grey
	7	Black Black™
	GRL	Grey Lavender
	DGB	Indigo Blue
	PLM	Black Plum



No change in measurements if connected with drain illustrated. (K-7147-AF)



### Technical Information

All product dimensions are nominal.

Installation:	Three-wall alcove
Drain location:	Left
Basin area, bottom:	45" x 25" (1143 mm x 635 mm)
Basin area, top:	58" x 29" (1473 mm x 737 mm)
Weight:	440 lbs (199.6 kg)
Minimum floor load:	81 lbs/ft <sup>2</sup> (395.5 kg/m <sup>2</sup> )
Water depth:	19-1/2" (495 mm)
Water capacity:	105 gal (397.5 L)
Minimum flat for door:	1-13/16" (46 mm)

### Notes

Measure your actual product for rough-in details. Install this product according to the installation instructions.

The hot water supply should be 70% of the capacity of the bath or greater. Installations will vary.