

E1534



Collection: PATIO

Finish*:



00 - Blanc

Main features:



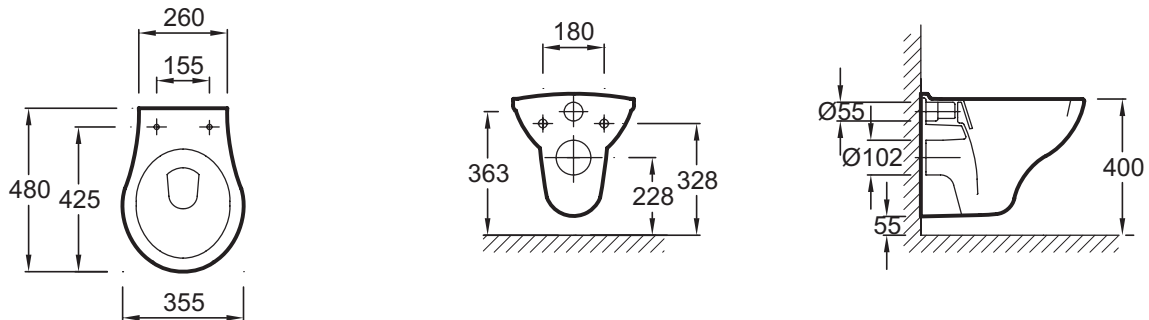
Features

- DIMENSIONS: 48 x 36.50 cm
- MATERIAL: Ceramic
- VOLUME OF WATER: Standard 3/6 L
- RIM TYPE: Open (traditional)
- PRODUCT INCLUDED: (Seat not included)
- WEIGHT: 12.8 kg
- INSTALLATION TYPE: Wall-hung
- HEIGHT: Adjustable from 38 to 50 cm
- RIM: With rim
- Also comes with no seat holes E1534-Y1

Consumer benefits

- COMPACT: Toilet size adapted to small spaces
- IDEAL HEIGHT: Low for children, raised for the disabled or people with mobility issues
- EASY CARE: Less care, clear space underneath

Technical drawing



Product Specification: Compact wall-hung WC pan. E1534. Collection: PATIO. DIMENSIONS: 48 x 36.50 cm. WEIGHT: 12.8 kg. MATERIAL: Ceramic. INSTALLATION TYPE: Wall-hung. VOLUME OF WATER: Standard 3/6 L. HEIGHT: Adjustable from 38 to 50 cm. RIM TYPE: Open (traditional). RIM: With rim. PRODUCT INCLUDED: (Seat not included). Also comes with no seat holes E1534-Y1.

**Due to possible variations in computer and printer calibrations, technical factors and certain finish characteristics, the colors you see may not accurately portray the actual colors and are provided as a guide only.*