

A³form

Technical data sheet



Washstands

WT.RX325K

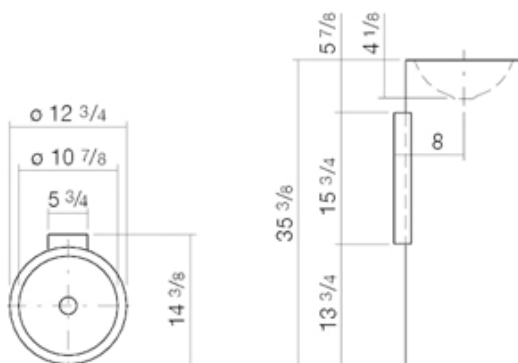
Article number: 4501000000

Design partner: sieger design

Features

Description	WT.RX325K
Article number	4501000000
Standard colour	White
Special surfaces	White easy-clean (XXXX XXX 400) White antibacterial (XXXX XXX 401)
Construction	without faucet hole, without overflow
Special versions	special- or matt colour
Dimensions	12 3/4 x 12 3/4 x 35 3/8"
Material	Glazed steel
Net weight	27.34 lbs
Installation	for wall connection
Accessoires	Mirror SP.300, Mirror SP.300.1, Mirror SP.325, Mirror SP.325.3
Faucet information	Optimum point of impact approx. 4 7/8 – 6 1/8" from rear edge of basin.

Faucets with a vertical outlet and an aerator provide the optimum flow of water onto the surface below (angle of impact: 90°).



Text for invitation to tender

Washstand, round, 12 3/4" ø, glazed inside and outside, height 35 3/8", without faucet hole and overflow, including chrome-plated drain valve, siphon, fixing set and white wall bracket

Brand: Alape

Model: WT.RX325K