

33 500 809

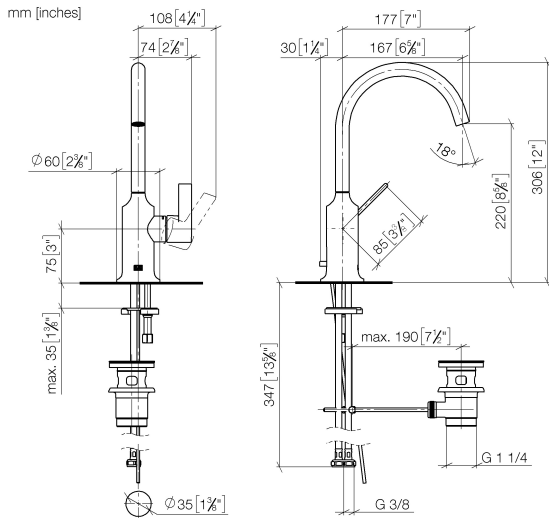


- 167mm projection
- pivotable spout 360°
- circular, air-enriched flow
- height of mixer 306 mm
- height up to aerator 220 mm
- hole diameter 35 mm
- 2x screw-in M 8 x 1 pressure hose, leak-tested
- max. flow 5.7 l/min
- lead-free
- This product can help a building meet the requirements of Green Building Rating Systems, e.g. LEED®, BREEAM®, DGNB
- WRAS 1810005

Only suitable for basins with an overflow.

	Brushed Dark Platinum	33 500 809-99
	Chrome	33 500 809-00
	Brushed Platinum	33 500 809-06
	Platinum	33 500 809-08
	Dark Chrome	33 500 809-19
	Brushed Durabronze (23kt Gold)	33 500 809-28
	Brushed Bronze	33 500 809-42
	Brushed Champagne (22kt Gold)	33 500 809-46
	Champagne (22kt Gold)	33 500 809-47

33 500 809



Flow rate chart



Codes & Standards

DIN 4109	Executive Order no. 1007	ISO 3822	Scottish Water Byelaws
UK Water Supply Regulations	Ü-Zeichen		



VAIA Single-lever basin mixer with pop-up waste - Brushed Dark Platinum

VAIA

33 500 809

Certificates

LGA_29

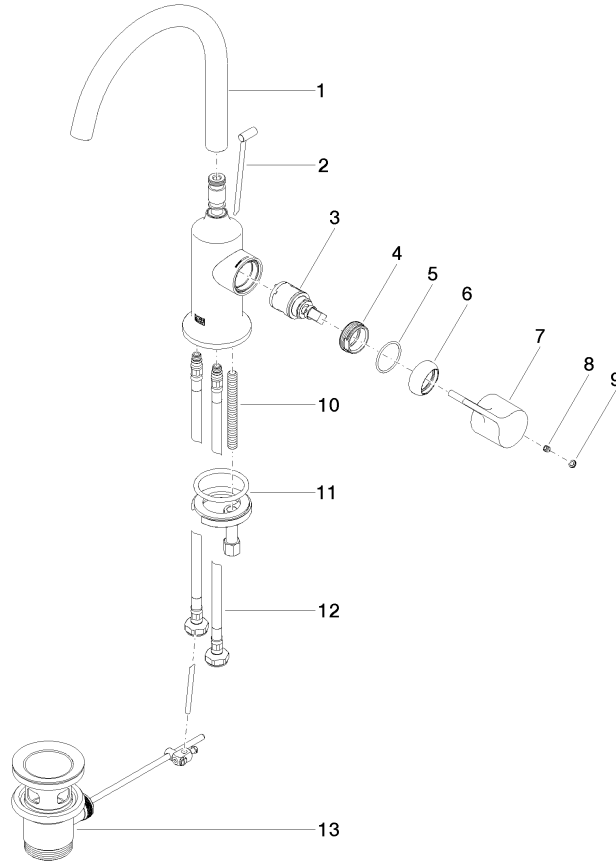
WRAS_1810

GDV_0400

33 500 809

Product version from 3/13/2017

Parts for other finishes can be found here: [Chrome](#)





VAIA Single-lever basin mixer with pop-up waste - Brushed Dark Platinum

VAIA

33 500 809

Spare parts list

Product version from 3/13/2017

No.	Item Number	Name	Quantity used	Delivery time
	90 28 22 311 00-99	spout	14	30