

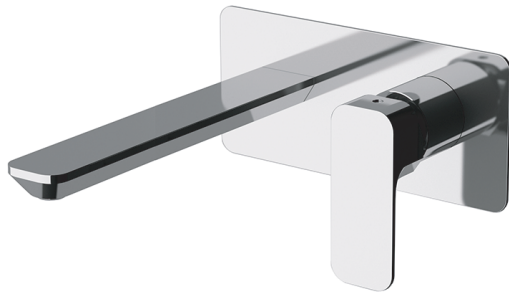


**DANIEL**

SCHEDA TECNICA TECHNICAL FEATURES

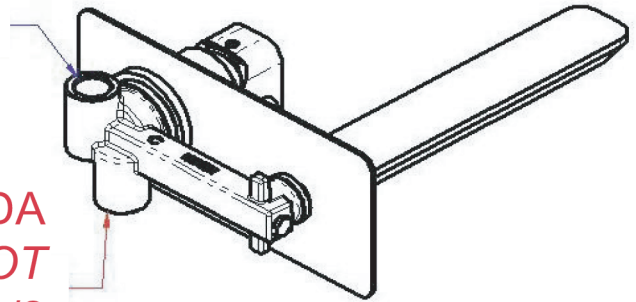
ART. COD.

**TA632L**

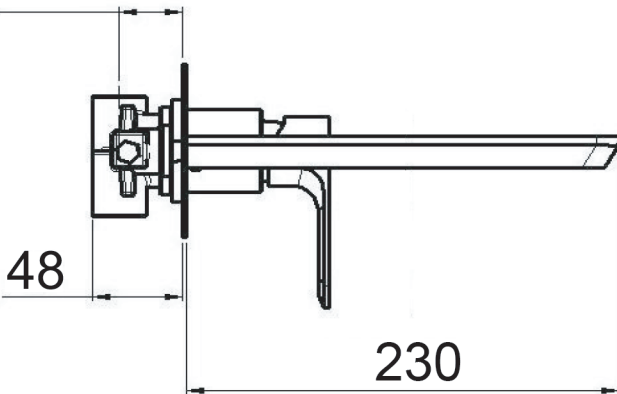


FREDDA  
COLD  
G1/2

CALDA  
HOT  
G1/2



30/64

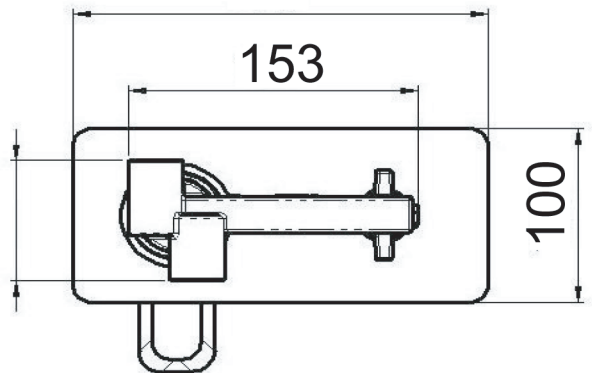


220

153

69

100



**MATERIALI / MATERIALS**

OTTONE CROMATO / CHROME PLATED BRASS

**CROMATURA / CHROME PLATING**

UNI EN 248

Via Leonardo da Vinci 53 20062 Cassano d'Adda (MI) Italy Tel. +39-0363 62651  
info@daniel.it www.daniel.it