






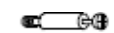






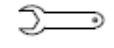
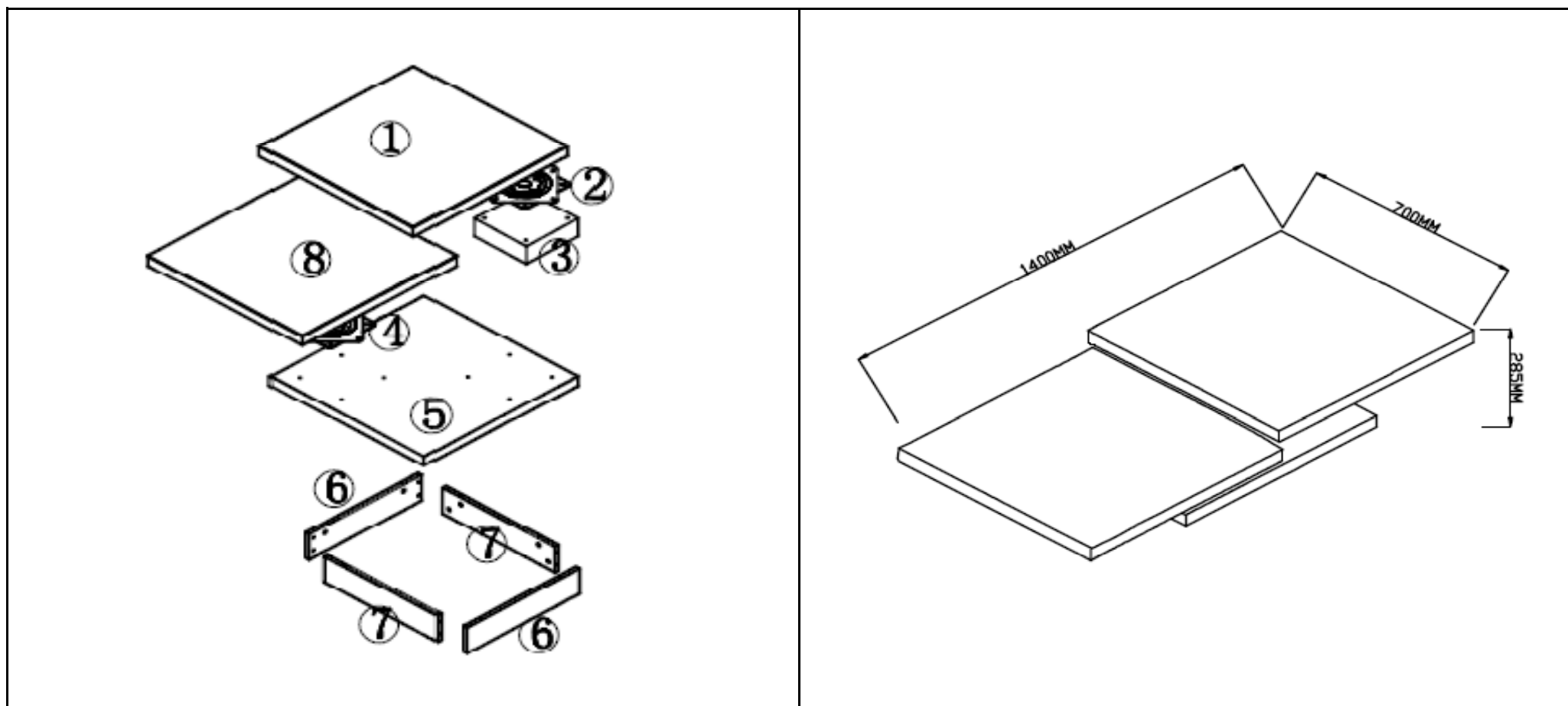


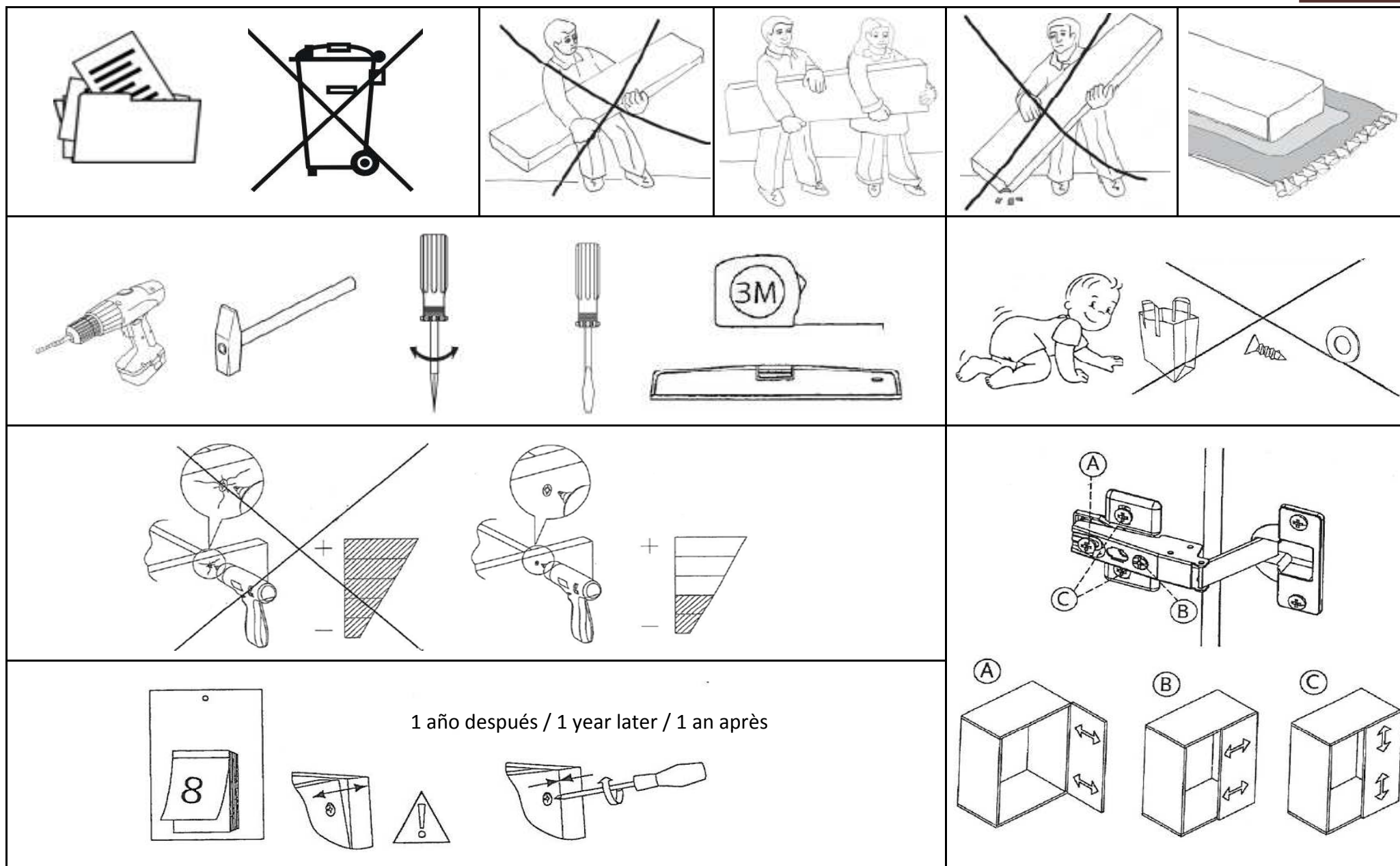
# C619



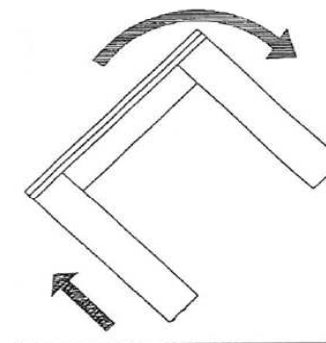
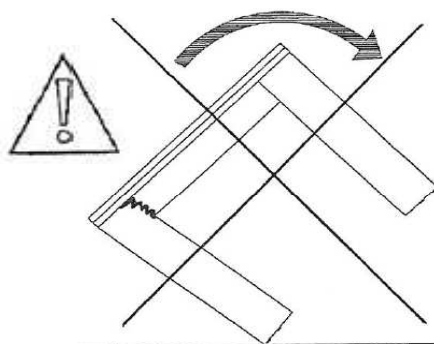
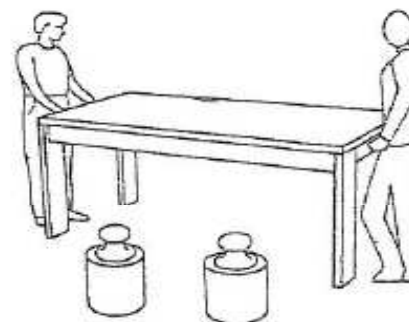
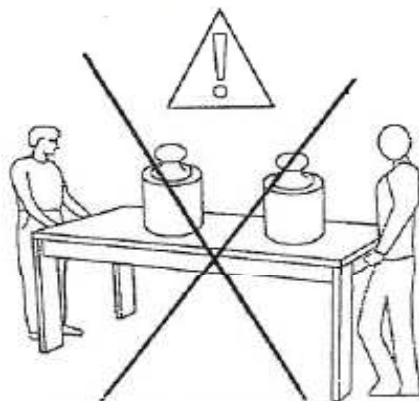
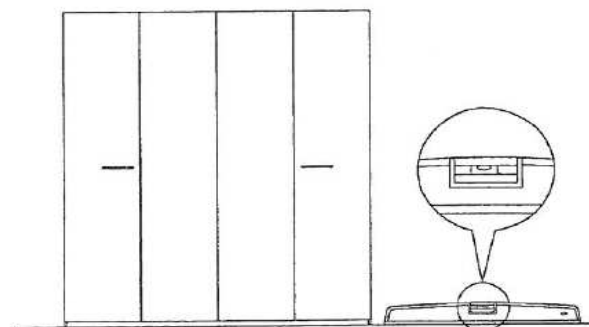
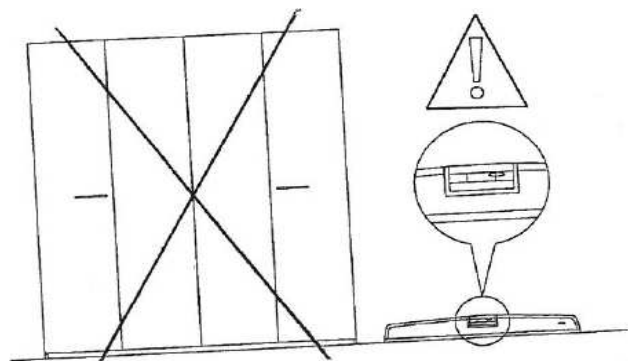
 X2  30 min  X2	<b>A</b>  M6x15MM x12	<b>B</b>  M6x45MM x4	<b>C</b>  $\phi 13 \times \phi 6.5 \times 1 \text{MM}$ x16	<b>D</b>  $\phi 20 \times \phi 6.5 \times 2 \text{MM}$ x4	<b>E</b>  $\phi 6 \times 36 \text{MM}$ x16	<b>F</b>  $\phi 15 \times 10 \text{MM}$ x16
	<b>G</b>  x1	<b>H</b>  M4 x1	<b>I</b>  M6x60L x4	<b>J</b>  M6 x8	<b>K</b>  x2	<b>L</b>  x1



# C619



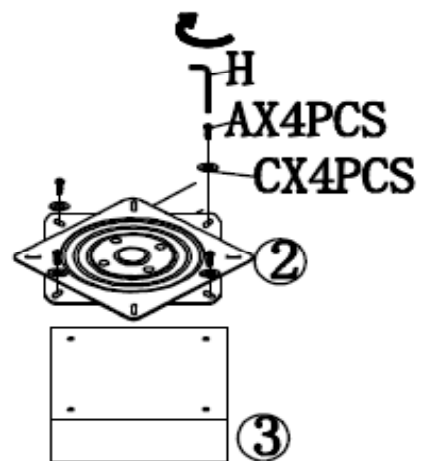
# C619



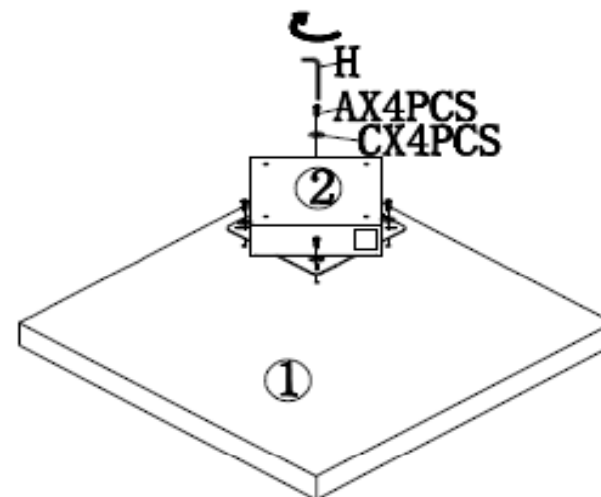
# C619



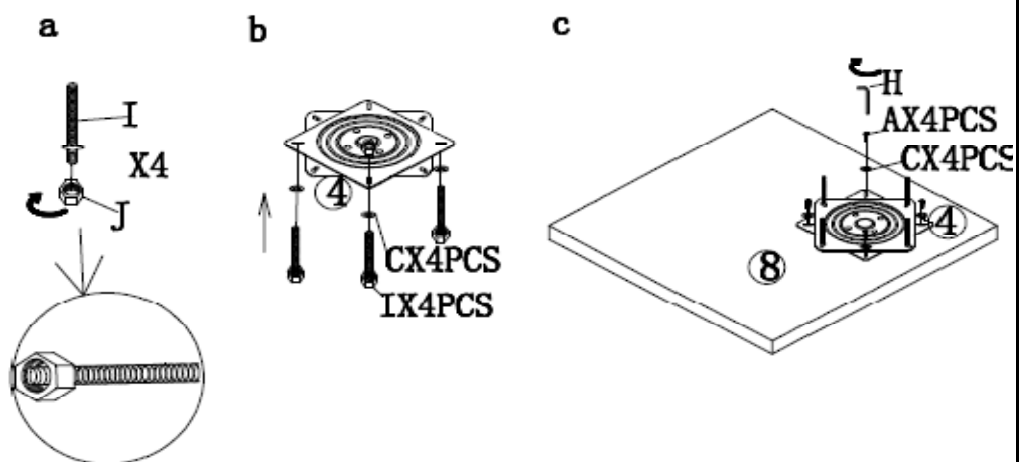
## STEP1



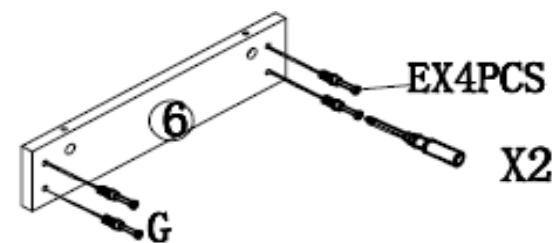
## STEP2



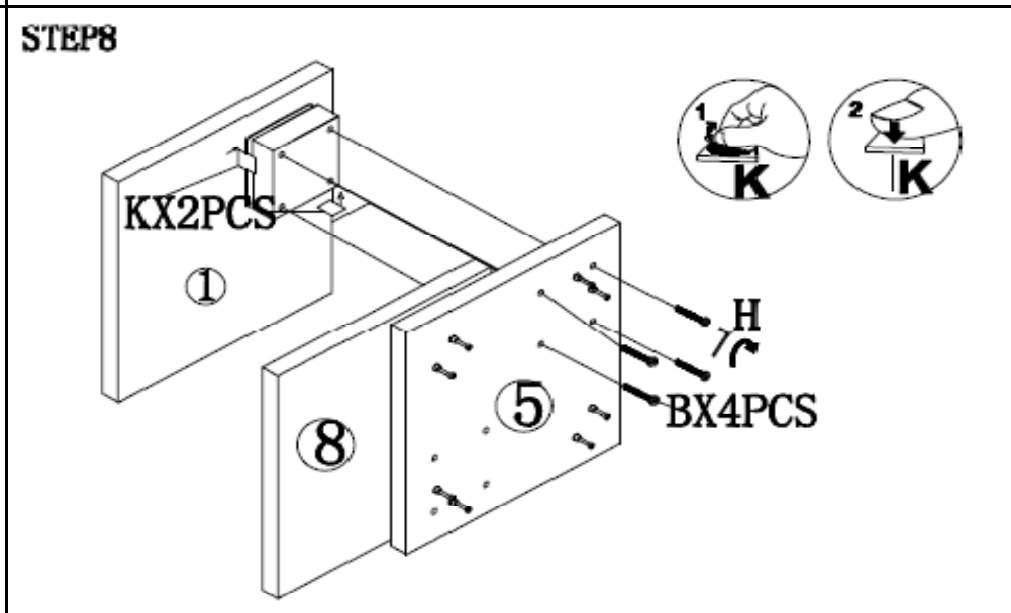
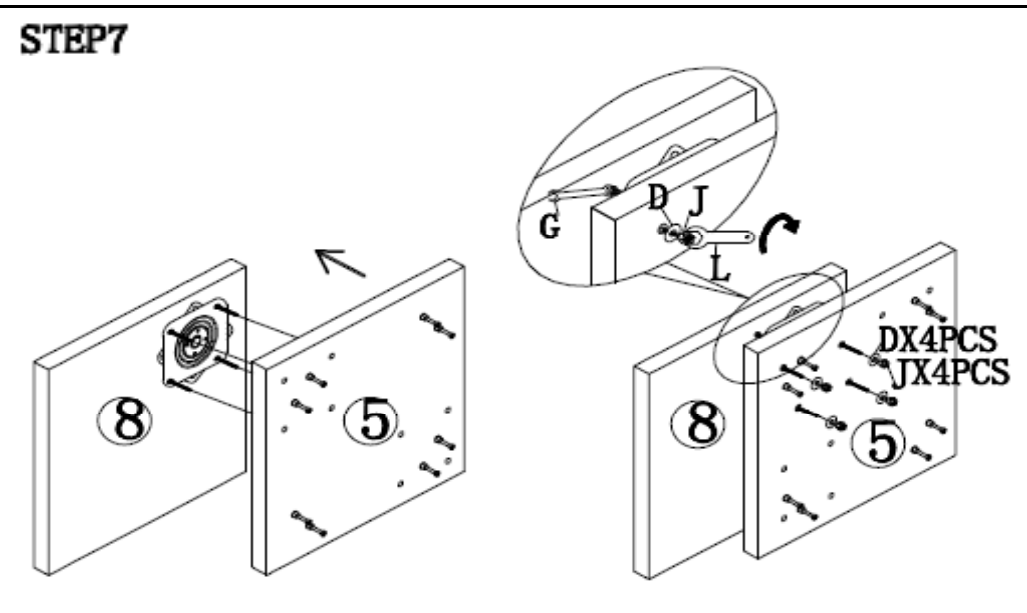
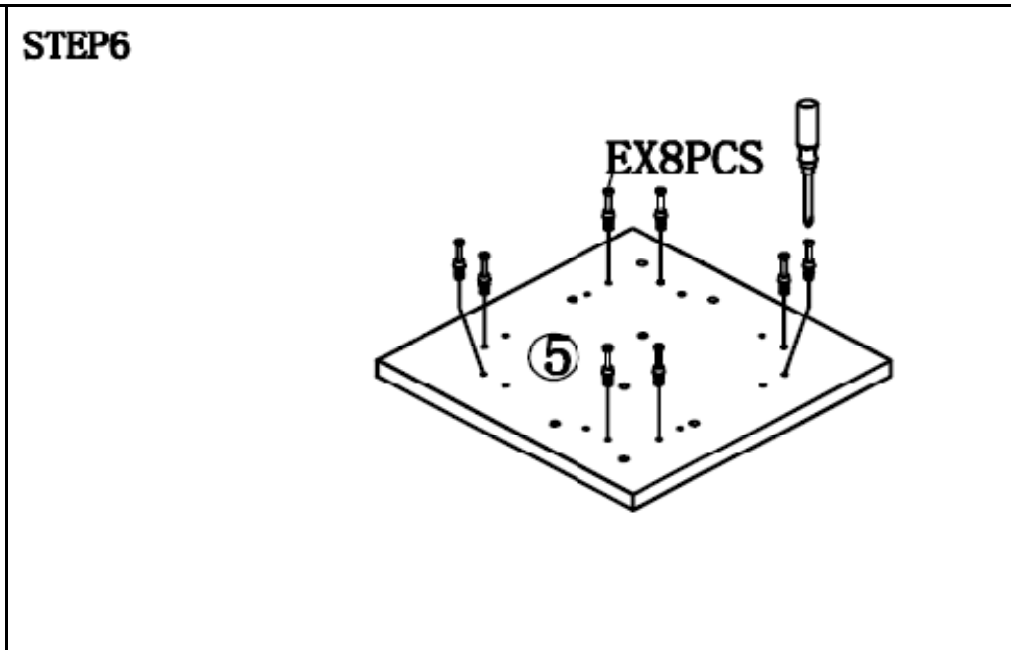
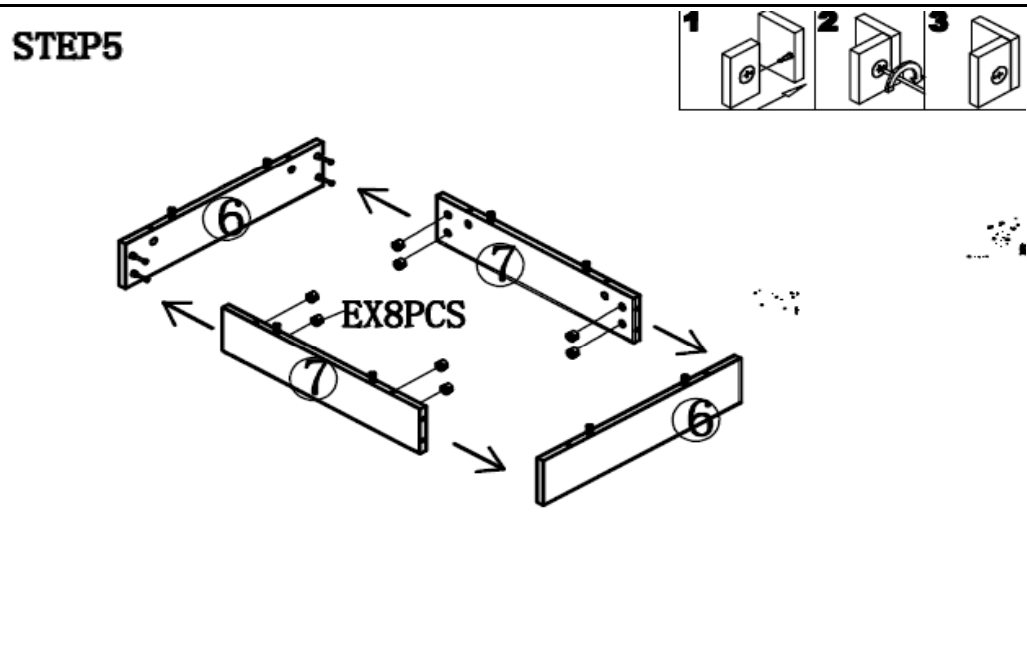
## STEP3



## STEP4



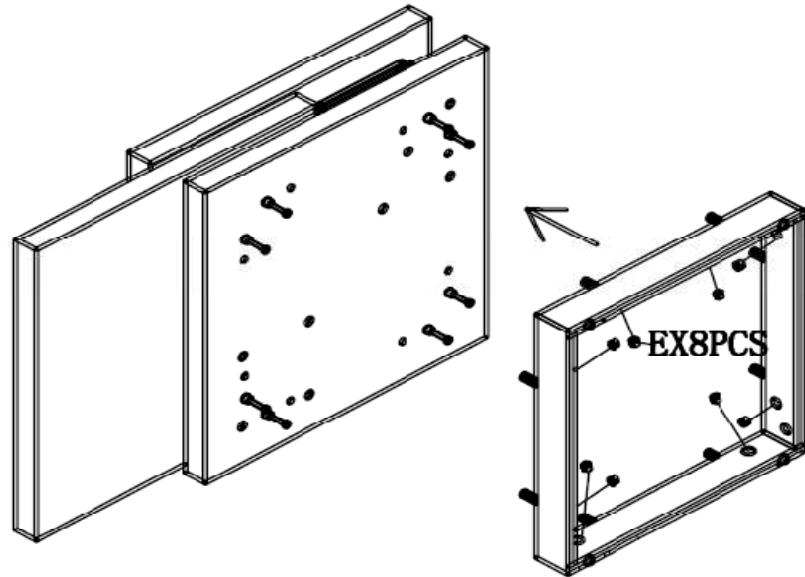
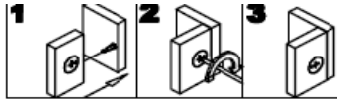
# C619



# C619



STEP9



STEP10

