










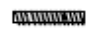


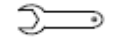
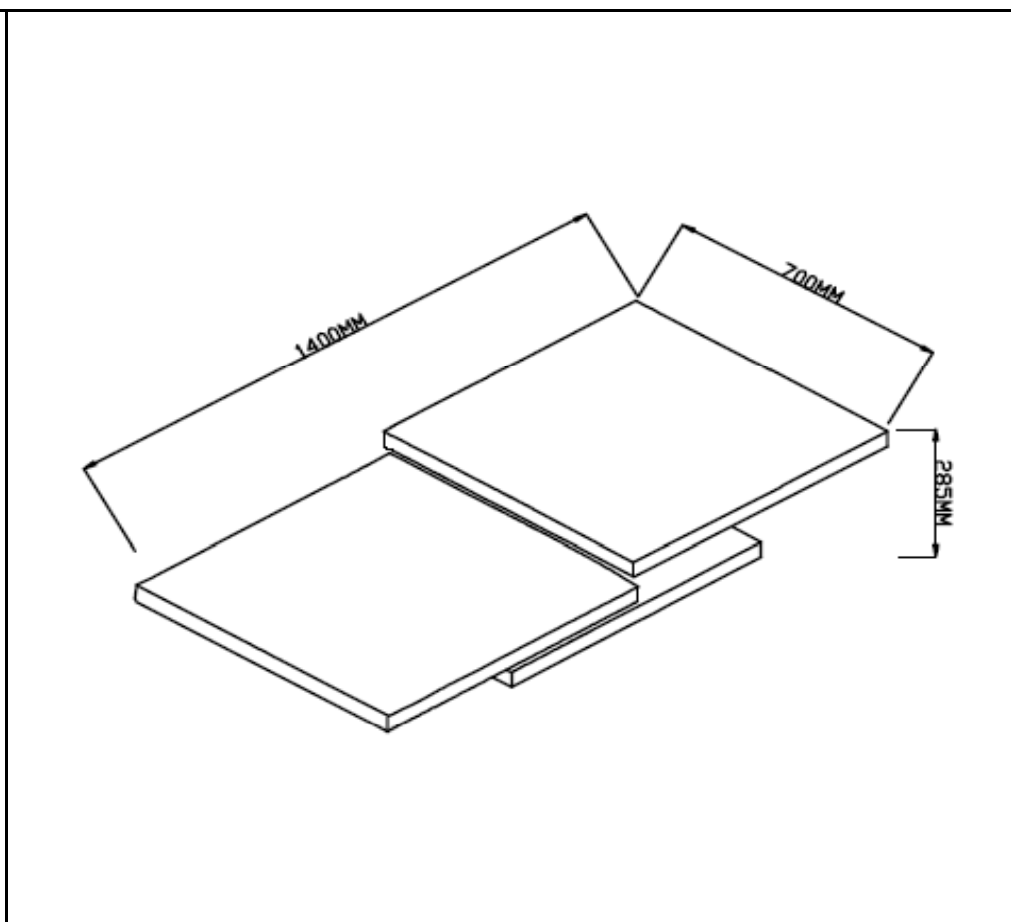
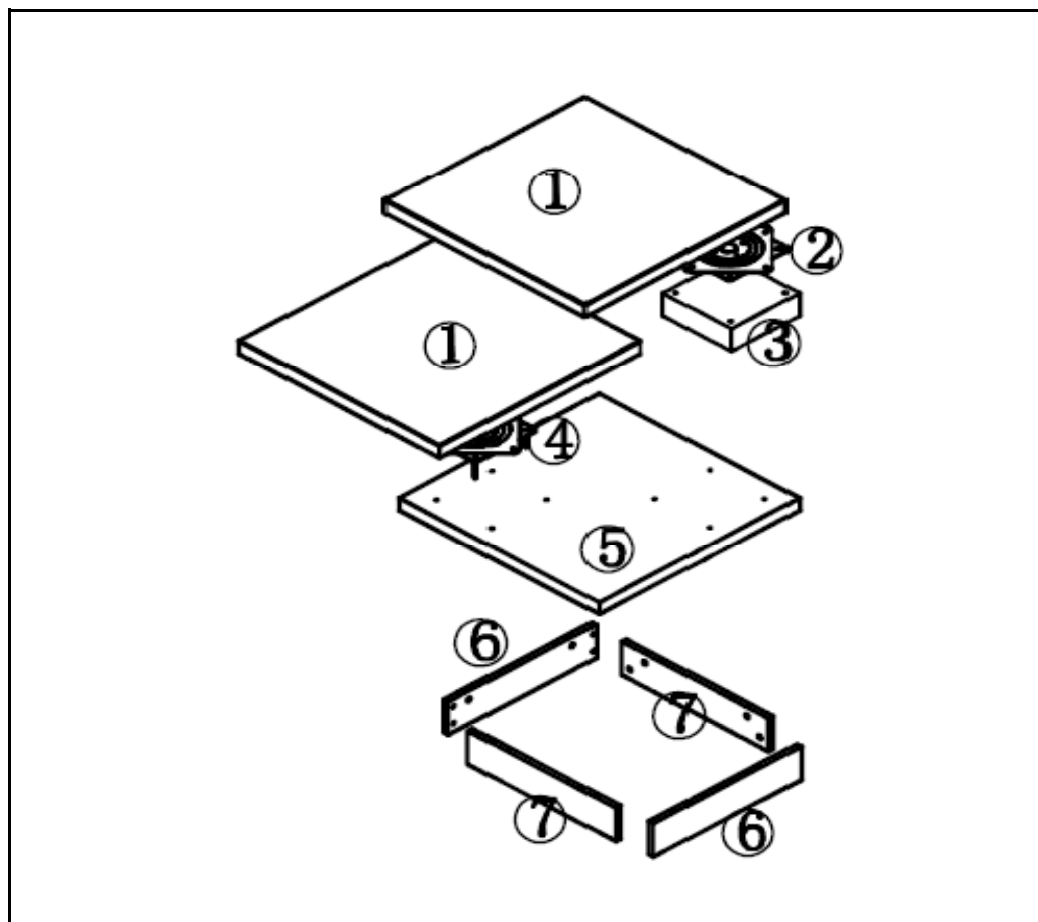


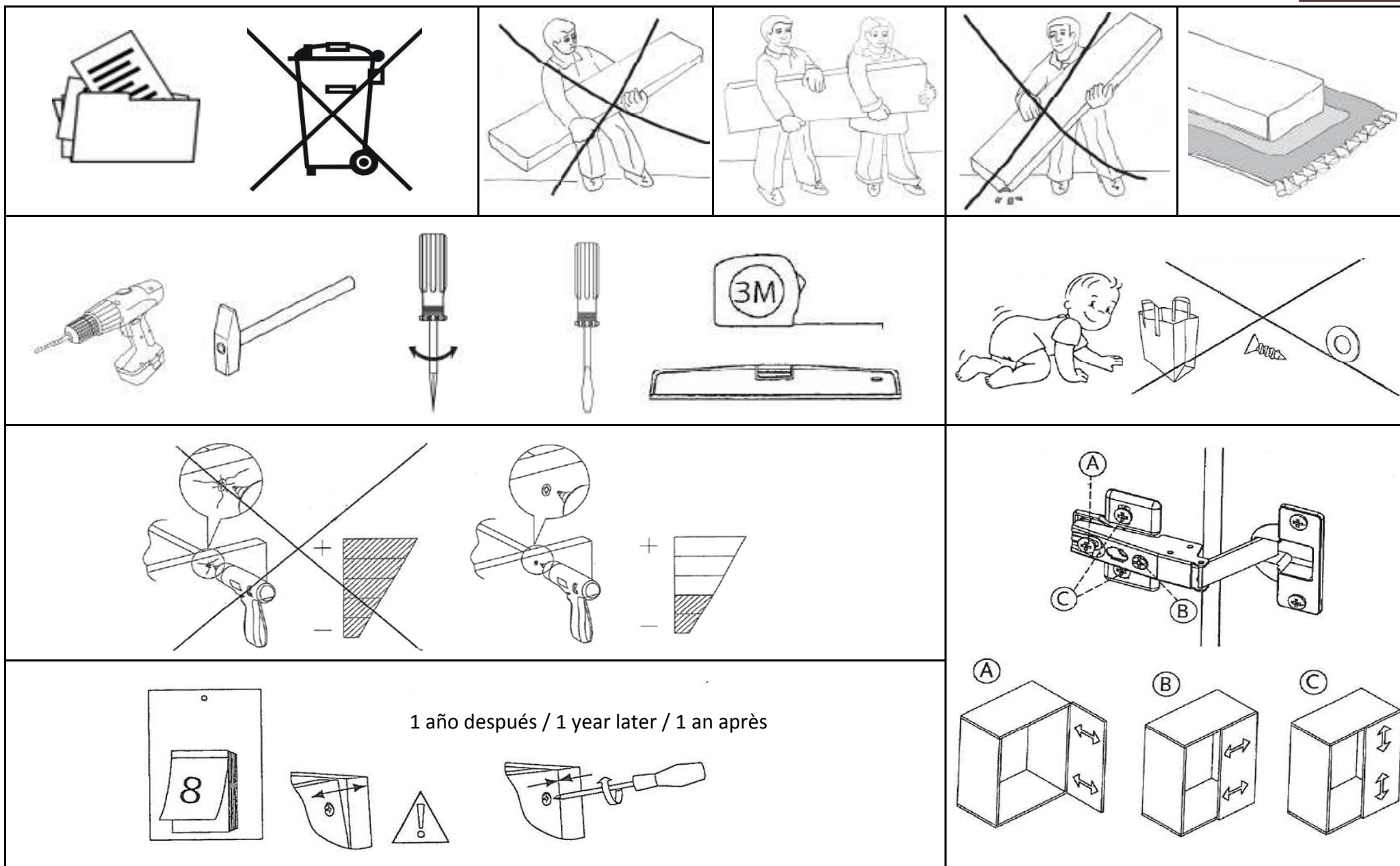
C618



 X2  30 min  X2	A  M6x15MM x12	B  M6x45MM x4	C  $\phi 13 \times \phi 6.5 \times 1 \text{MM}$ x16	D  $\phi 20 \times \phi 6.5 \times 2 \text{MM}$ x4	E  $\phi 6 \times 36 \text{MM}$ x16	F  $\phi 15 \times 10 \text{MM}$ x16
	G  x1	H  M4 x1	I  M6x60L x4	J  M6 x8	K  x2	L  x1

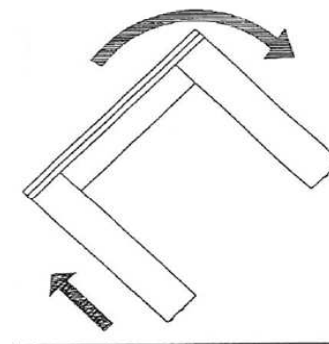
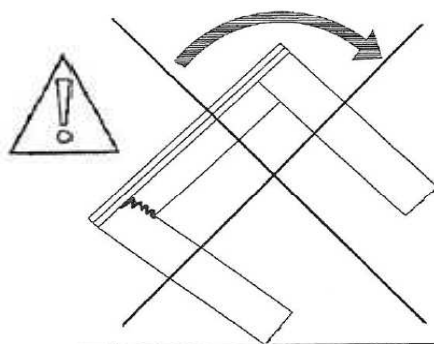
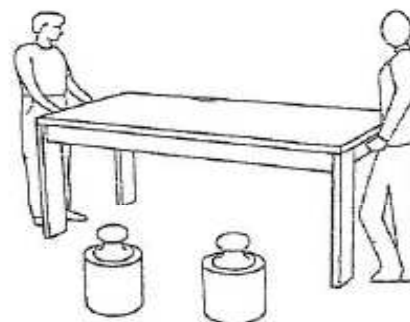
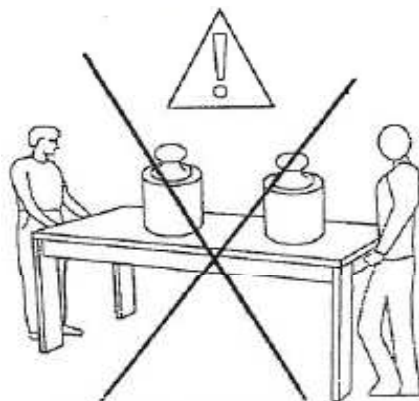
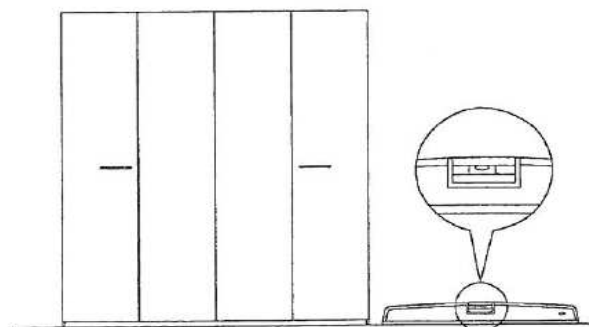
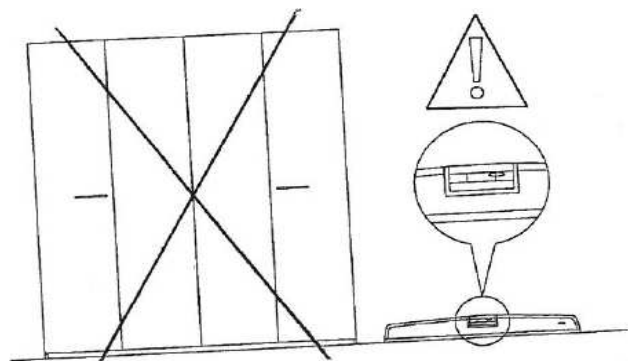


C618



1 año después / 1 year later / 1 an après

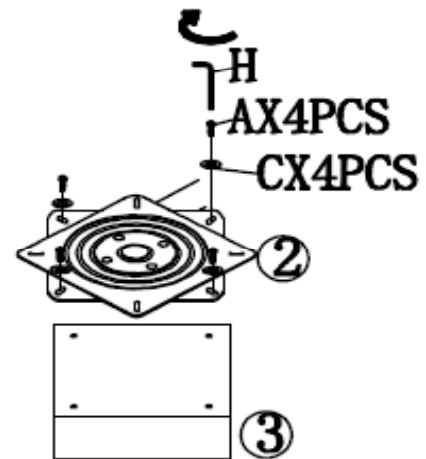
C618



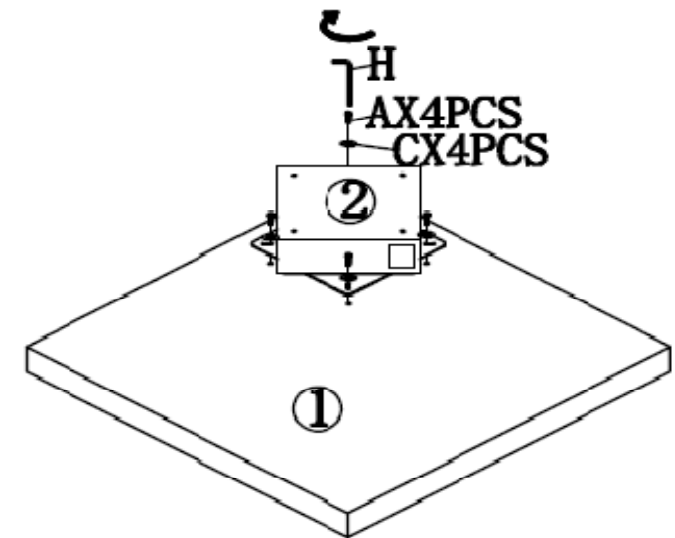
C618



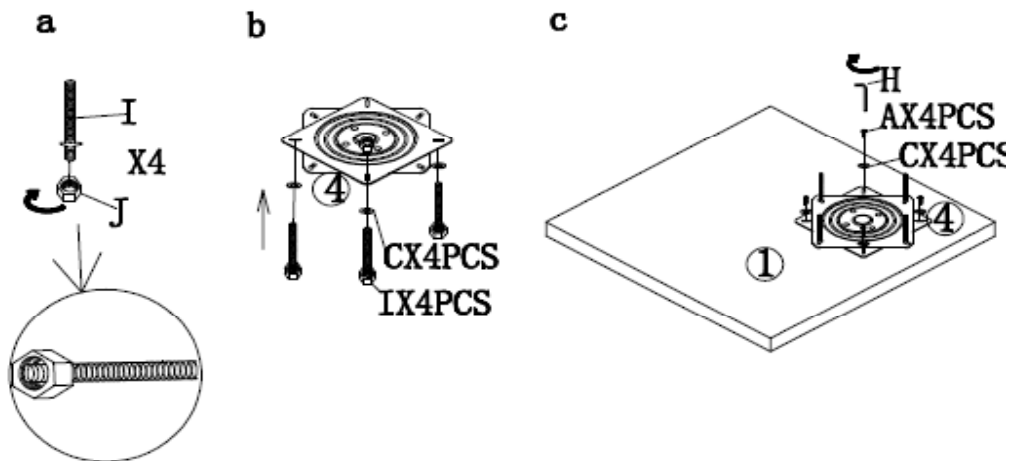
STEP1



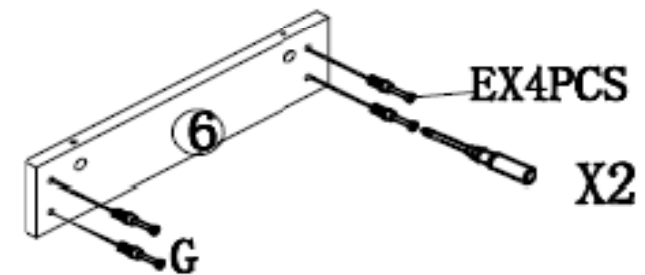
STEP2



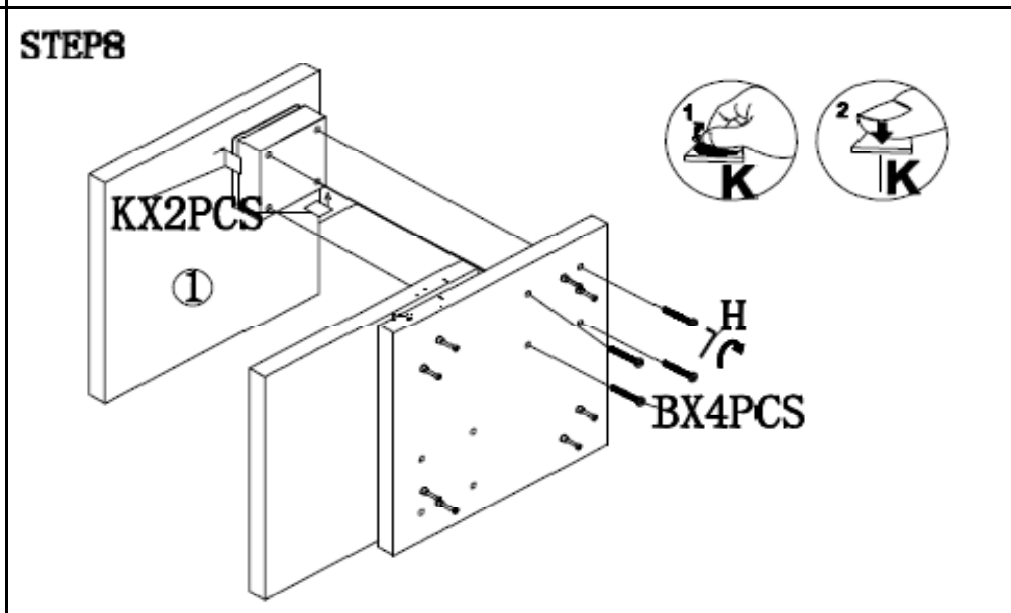
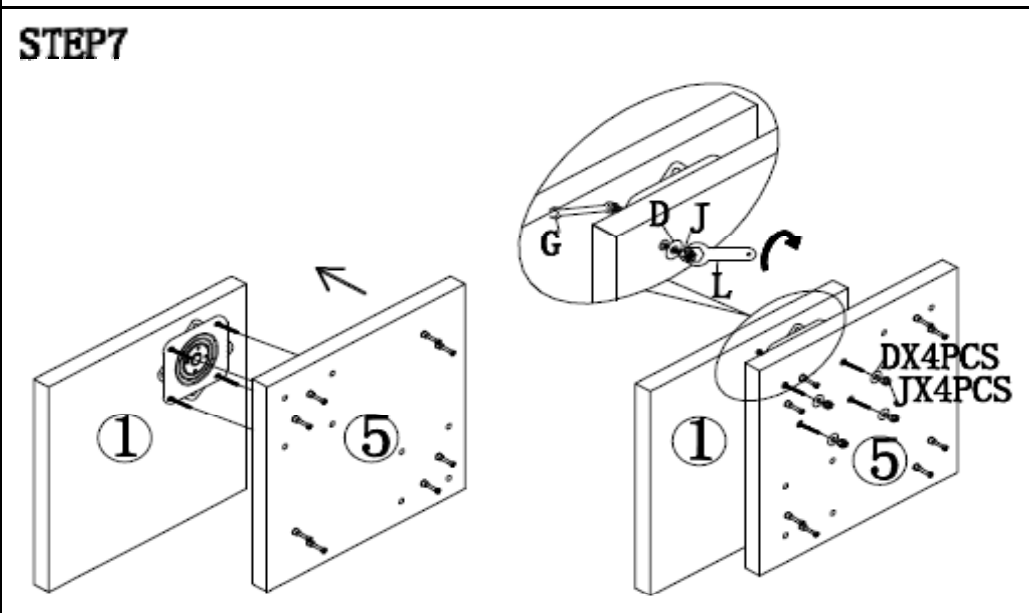
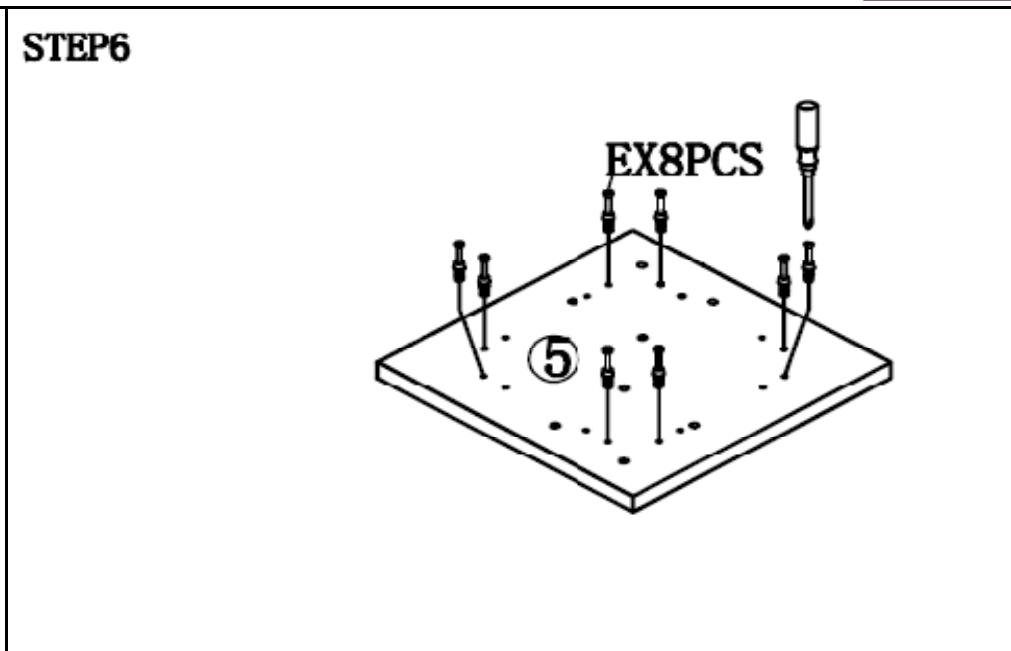
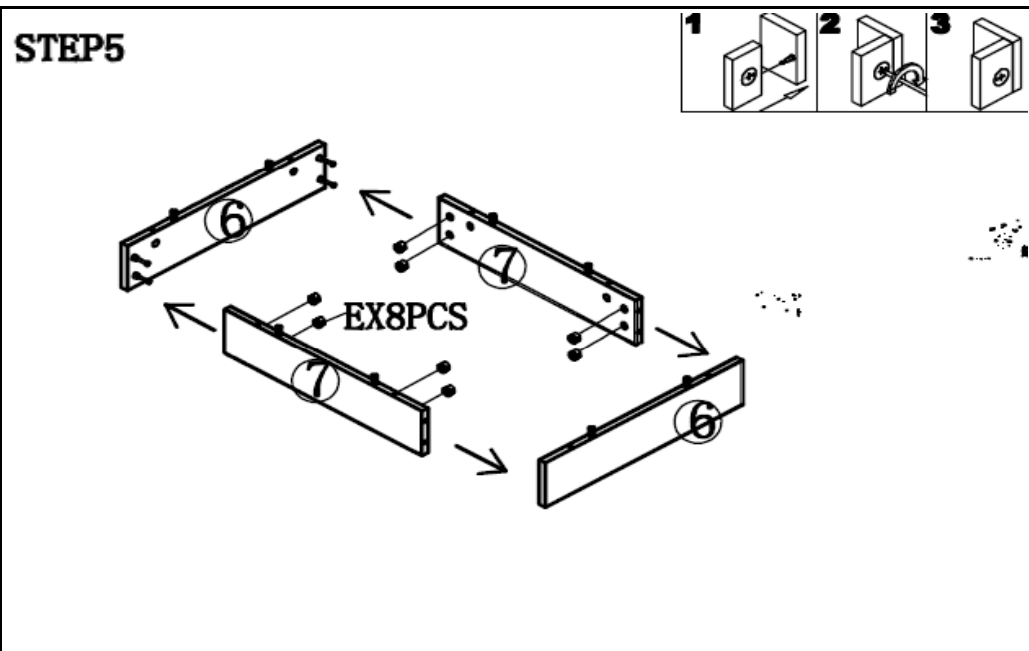
STEP3



STEP4



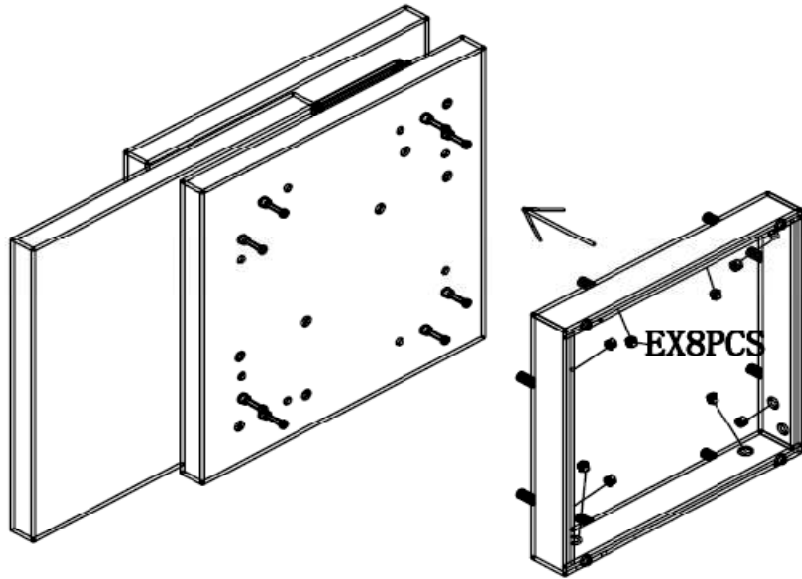
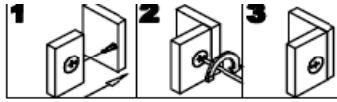
C618



C618



STEP9



STEP10

