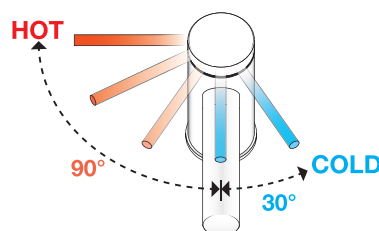


**Basin single-lever mixer
with pop-up waste
3.1175.1.704.121.1
without pop-up waste
3.1175.1.704.120.1**

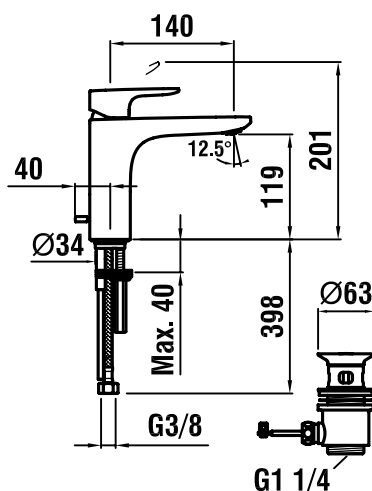


TECHNICAL DATA / WITH POP-UP WASTE	
Order no.	3.1175.1.704.121.1
Connection	3/8" flexible connection hoses
Spout length	140 mm
Flow rate	5.7 l/min (3 bar)
Acoustic class	I/-
Specification	basin single-lever mixer Eco+ function, cold water handle in the middle 35 mm cartridge fixed spout
Accessories incl.	pop-up waste 1¼"
Surface finish	chrome

TECHNICAL DATA / WITHOUT POP-UP WASTE	
Order no.	3.1175.1.704.120.1
Connection	3/8" flexible connection hoses
Spout length	140 mm
Flow rate	5.7 l/min (3 bar)
Acoustic class	I/-
Specification	basin single-lever mixer Eco+ function, cold water handle in the middle 35 mm cartridge fixed spout
Surface finish	chrome



TECHNICAL DRAWINGS



TECHNICAL DRAWINGS

