

**Basin single-lever mixer  
with pop-up waste  
3.1175.1.704.121.1  
without pop-up waste  
3.1175.1.704.120.1**

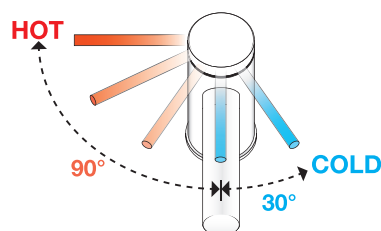


**TECHNICAL DATA / WITH POP-UP WASTE**

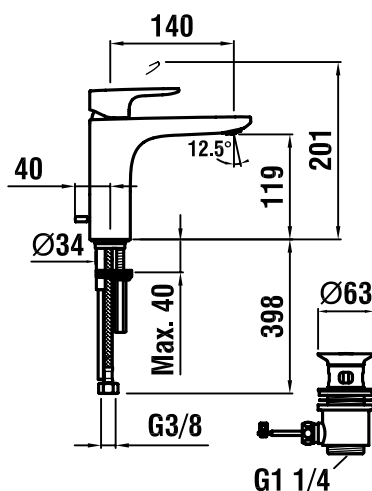
Order no.	3.1175.1.704.121.1
Connection	3/8" flexible connection hoses
Spout length	140 mm
Flow rate	5.7 l/min (3 bar)
Acoustic class	I/-
Specification	basin single-lever mixer Eco+ function, cold water position in the middle 35 mm cartridge fixed spout
Accessories incl.	pop-up waste 1¼"
Surface finish	chrome

**TECHNICAL DATA / WITHOUT POP-UP WASTE**

Order no.	3.1175.1.704.120.1
Connection	3/8" flexible connection hoses
Spout length	140 mm
Flow rate	5.7 l/min (3 bar)
Acoustic class	I/-
Specification	basin single-lever mixer Eco+ function, cold water position in the middle 35 mm cartridge fixed spout
Surface finish	chrome



**TECHNICAL DRAWINGS**



**TECHNICAL DRAWINGS**

