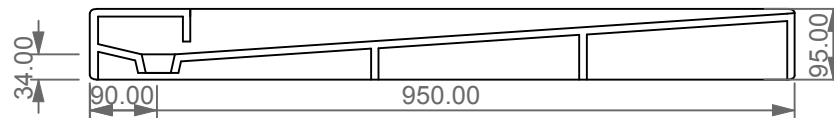
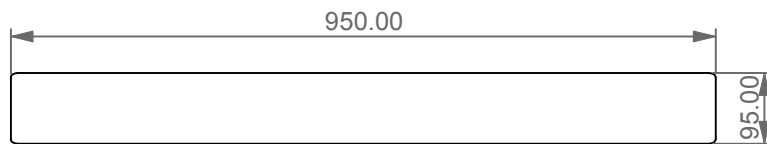
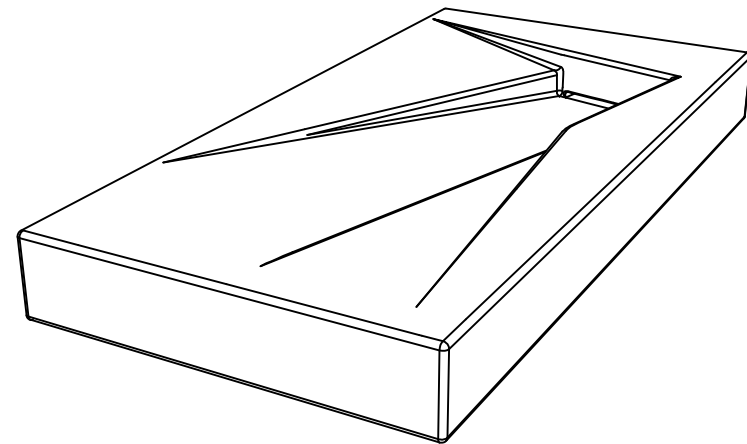
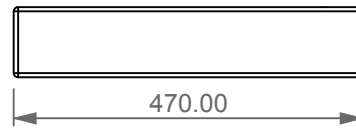
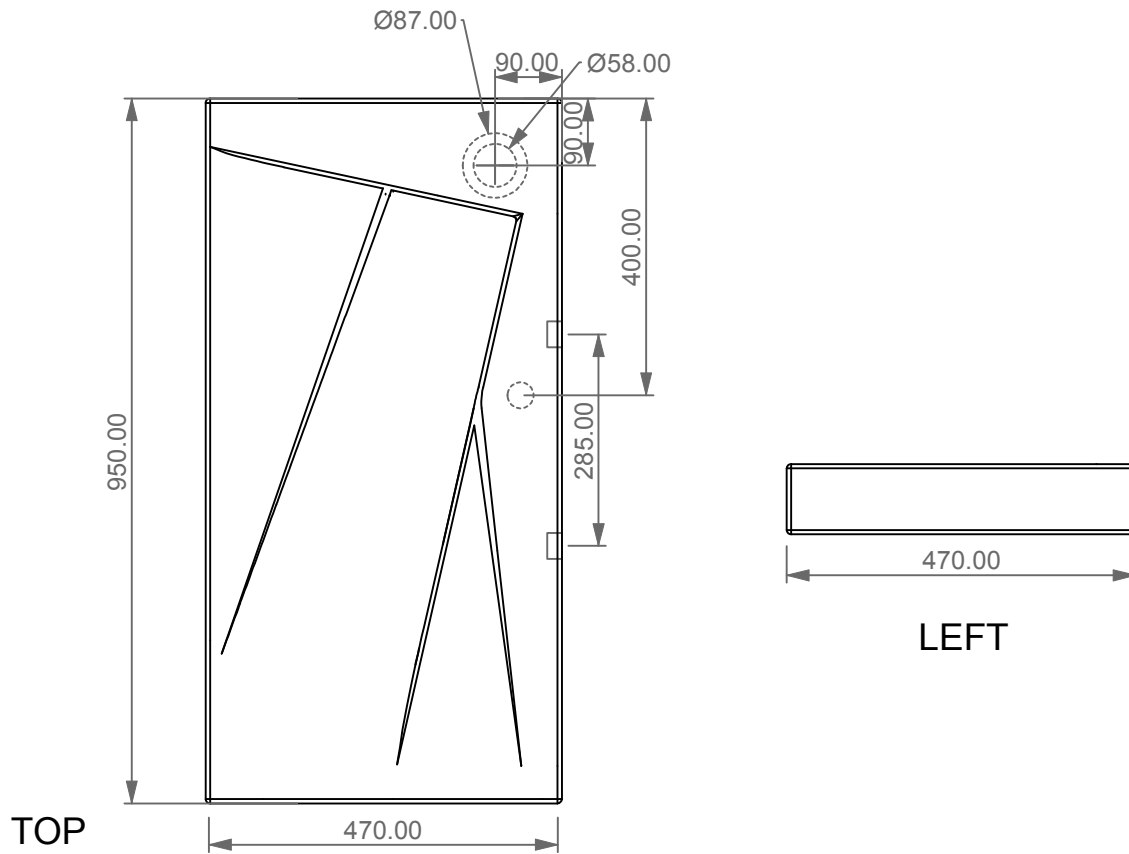


Lavabo Oz cm 95 versione sinistra  
 senza foro (monoforo su richiesta)  
 Oz Washbasin cm 95 left version  
 no hole (one hole on request)



Designation  
 Lavabo Oz cm 95 versione sinistra  
 senza foro (monoforo su richiesta)  
 Oz Washbasin cm 95 left version  
 no hole (one hole on request)

Scale  
 1:10

cod. LAOZSX

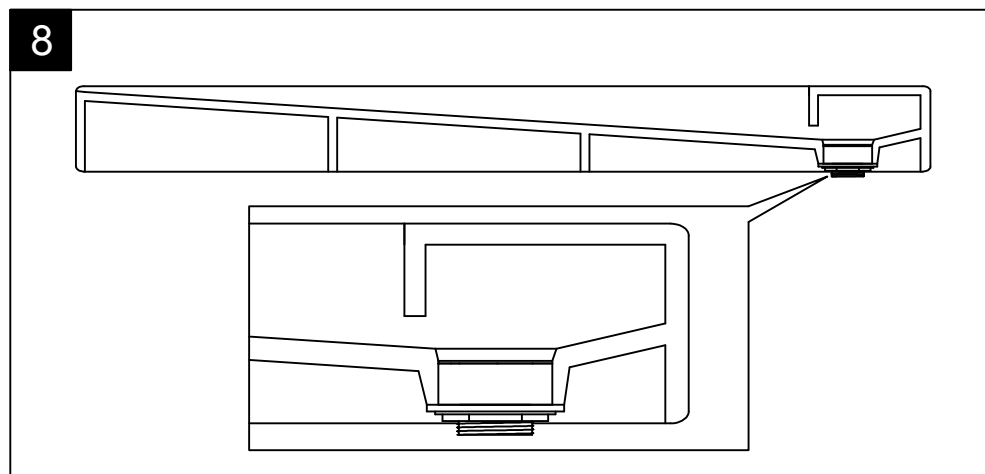
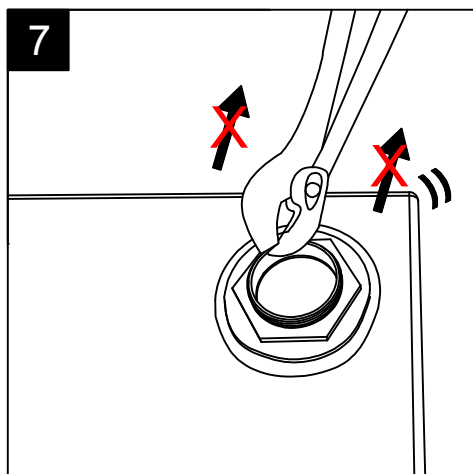
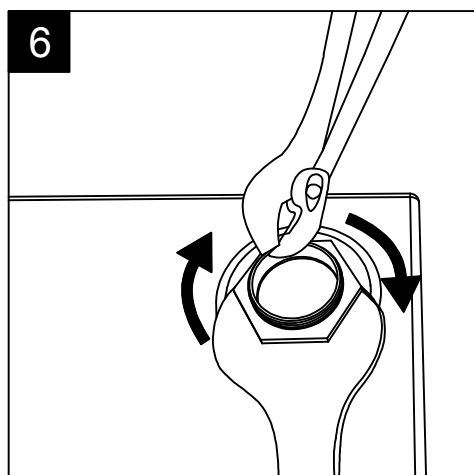
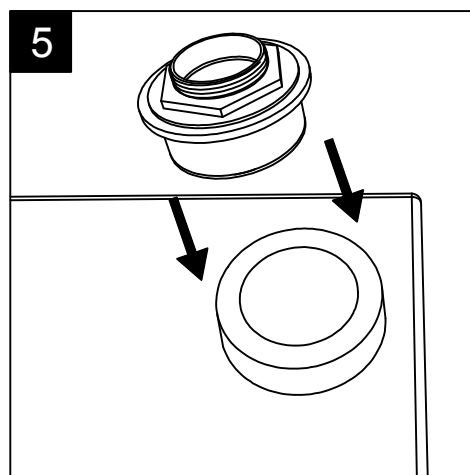
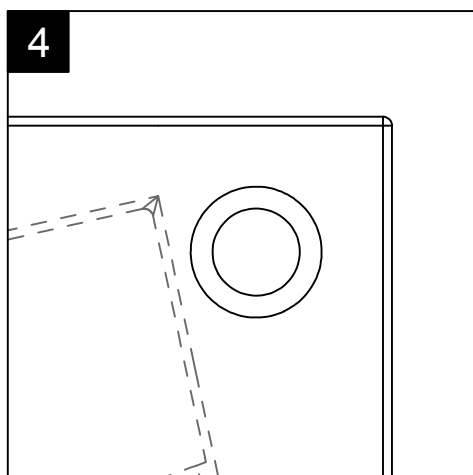
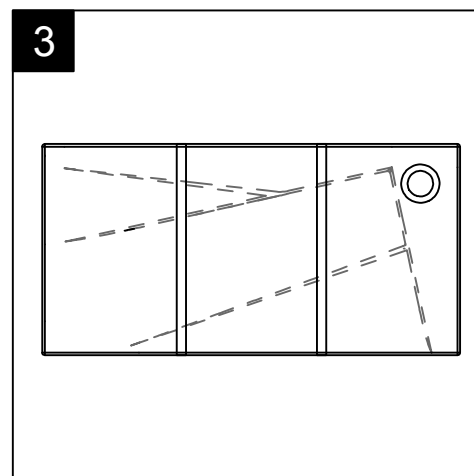
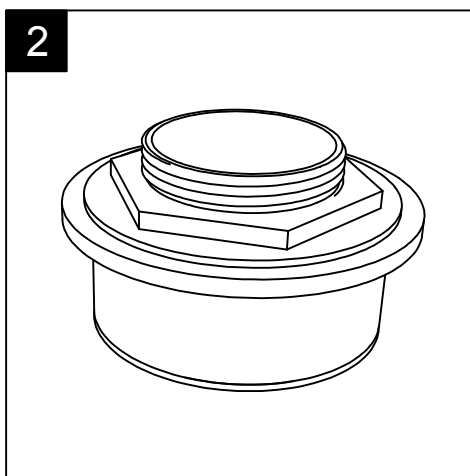
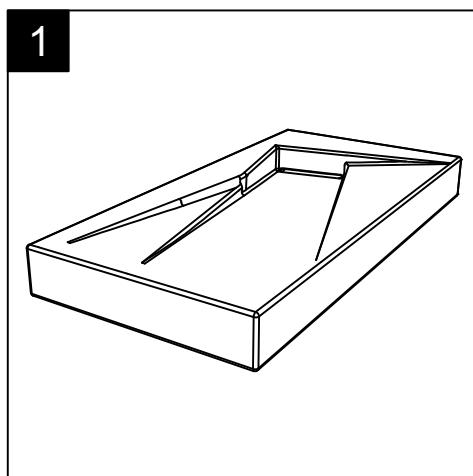
This drawing including the respectedata may neither be duplicated nor modified nor altered without the consent of GSG Ceramic Design. The use of the data/technical drawings take place at users own risk and under exclusion of any liability of GSG Ceramic Design. The dimensions are not binding; products are subject to changes. Measurement shown may be subjected to small variations or are indicative.

Guida all'installazione della piletta di scarico ad espansione nei lavabi OZ cm 95 Dx - Sx e cm 65.

(cod. ESPANS)

*Installation guide of expansion discharge waste for Washbasins OZ cm 95 Right - Left and cm 65.*

(cod. ESPANS)



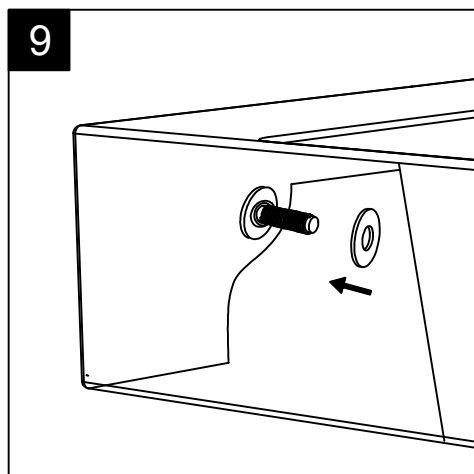
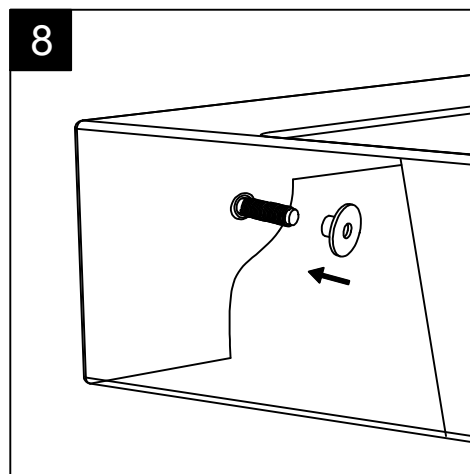
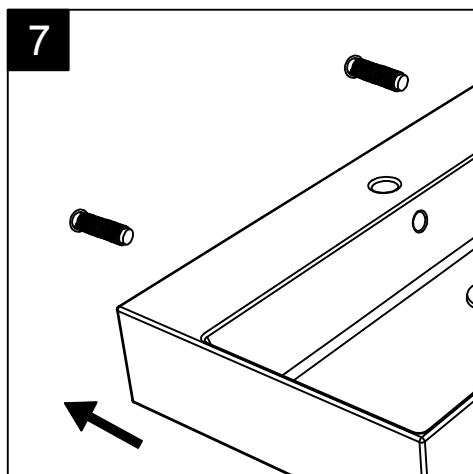
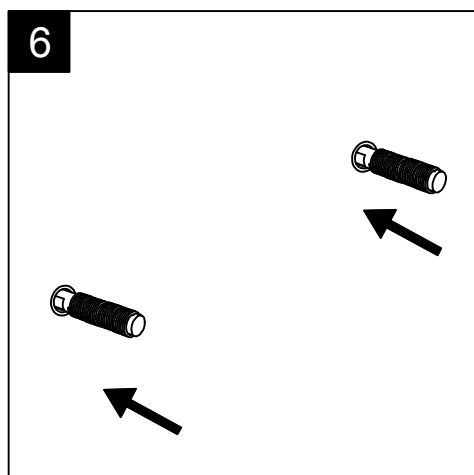
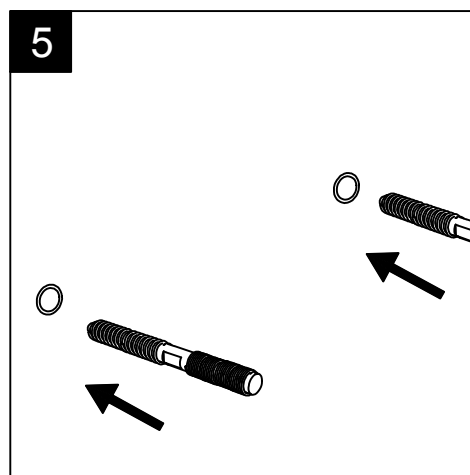
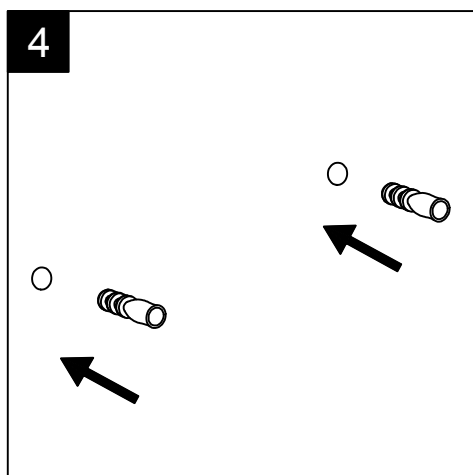
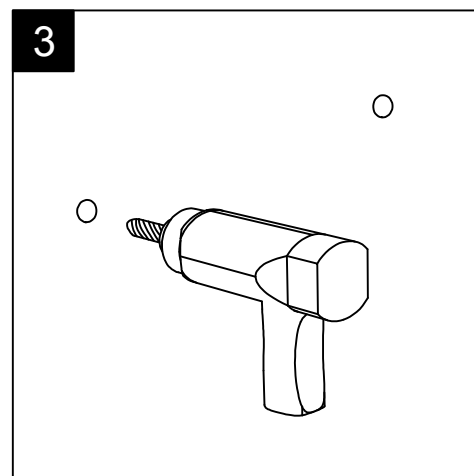
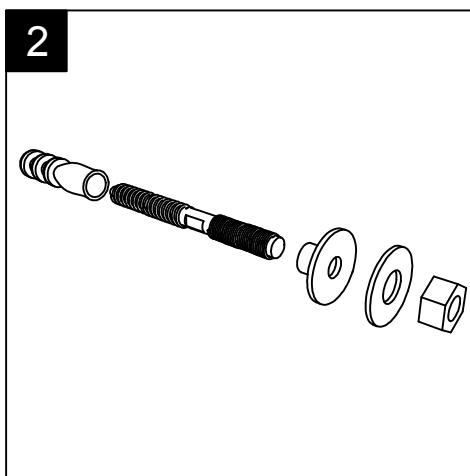
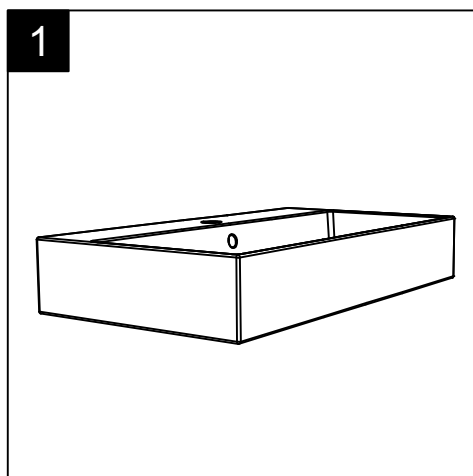
Guida all'installazione dei lavabi sospesi con kit viti di fissaggio (cod. ACS60)

Serie: ZENITH - BOING - TOUCH - TIME - FLUT - OZ - LILAC - SQUARE - QUAD - FLY - DUNIA

*Installation guide for back to wall washbasins with fixing screws kit (cod. ACS60)*

*Series: ZENITH - BOING - TOUCH - TIME - FLUT - OZ - LILAC - SQUARE - QUAD - FLY - DUNIA*

①



Guida all'installazione dei lavabi sospesi con kit viti di fissaggio (cod. ACS60)

Serie: ZENITH - BOING - TOUCH - TIME - FLUT - OZ - LILAC - SQUARE - QUAD - FLY - DUNIA

*Installation guide for back to wall washbasins with fixing screws kit (cod. ACS60)*

*Series: ZENITH - BOING - TOUCH - TIME - FLUT - OZ - LILAC - SQUARE - QUAD - FLY - DUNIA*

②

