

RYOBI®

OPC1800
OPC1815

ORIGINAL INSTRUCTIONS
TRADUCTION DES INSTRUCTIONS ORIGINALES
ÜBERSETZUNG DER ORIGINALANLEITUNG
TRADUCCIÓN DE LAS INSTRUCCIONES ORIGINALES
TRADUZIONE DELLE ISTRUZIONI ORIGINALI
VERTALING VAN DE ORIGINELE INSTRUCTIES
TRADUÇÃO DAS INSTRUÇÕES ORIGINAIS
OVERSÆTTELSE AF DE ORIGINALE INSTRUKTIONER
ÖVERSÄTTNING AV DE URSPRUNGLIGA INSTRUKTIONERNA
ALKUPERÄISTEN OHJEIDEN SUOMENNO
OVERSETTELSE AV DE ORIGINALE INSTRUKSJONENE
ПЕРЕВОД ОРИГИНАЛЬНЫХ ИНСТРУКЦИЙ
TŁUMACZENIE INSTRUKCJI ORYGINALNEJ
PŘEKLAD ORIGINÁLNÍCH POKYNŮ
AZ EREDETI ÚTMUTATÓ FORDÍTÁSA
TRADUCEREA INSTRUCȚIUNILOR ORIGINALE
TULKOTS NO ORIĢINĀLĀS INSTRUKCIJAS
ORIGINALIŲ INSTRUKCIJŲ VERTIMAS
ORIGINALALJUHENDI TÕLGE
PRIJEVOD ORIGINALNIH UPUTA
PREVOD ORIGINALNIH NAVODIL
PREKLAD ORIGINÁLNYCH POKYNOV
ПРЕВОД ОТ ОРИГИНАЛНИТЕ ИНСТРУКЦИИ
PEREKLAÐ ORIGINÁLNYX INSTRUKCÍJ
ORIJINAL TALIMATLARIN ÇEVIRILERI



EN
FR
DE
ES
IT
NL
PT
DA
SV
FI
NO
RU
PL
CS
HU
RO
LV
LT
ET
HR
SL
SK
BG
UK
TR





- Important!** It is essential that you read the instructions in this manual before assembling, maintaining and operating the product.
- Attention!** Il est essentiel que vous lisiez les instructions contenues dans ce manuel avant d'assembler, d'entretenir et d'utiliser le produit.
- Achtung!** Es ist wichtig, dass Sie vor Zusammenbau, Wartung und Benutzung des Produktes die Anweisungen in dieser Anleitung lesen.
- ¡Atención!** Resulta fundamental que lea este manual de instrucciones antes de realizar el montaje, el mantenimiento y de utilizar este producto
- Attenzione!** È importante leggere le istruzioni contenute nel presente manuale prima di montare il prodotto, svolgere le operazioni di manutenzione sullo stesso e metterlo in funzione.
- Let op!** Het is van essentieel belang dat u de instructies in deze gebruiksaanwijzing leest voor u het product monteert, onderhoudt en gebruikt.
- Atenção!** É fundamental que leia as instruções deste manual antes da montagem, manutenção e operação do aparelho.
- OBS!** Det er vigtigt, at man læser instrukserne i denne brugsanvisning, inden man samler, vedligeholder og betjener produktet.
- Observera!** Det är viktigt att du läser instruktionerna i manualen före montering, användning och underhåll av produkten.
- Huomio!** On tärkeää, että luet tämän käsikirjan ohjeet ennen tuotteen kokoamista, huoltoa ja käyttöä.
- Advarsel!** Det er viktig at du leser instruksjonene i denne manualen før sammensetning, vedlikehold og bruk av produktet
- Внимание!** Необходимо прочитать инструкции в данном руководстве перед сборкой, обслуживанием и эксплуатацией этого изделия.
- Uwaga!** Koniecznie należy przeczytać instrukcje zawarte w tym podręczniku przed montażem, obsługą oraz konserwacją produktu.
- Důležité upozornění!** Neinstalujte, neprovádějte údržbu ani nepoužívejte tento výrobek dříve, než si přečtete pokyny uvedené v tomto návodu.
- Figyelem!** Fontos, hogy a termék összeszerelése, karbantartása és használatá elött elolvassa a kézikönyvben található utasításokat.
- Atenție!** Este esențial să citiți instrucțiunile din acest manual înainte de asamblare, efectuarea întreinerii și operarea produsului.
- Uzmanību!** Ir svarīgi izlasīt šīs rokasgrāmatas instrukcijas pirms uzstādīšanas, apkopes un precas darbināšanas.
- Dėmesio!** Prieš surenkant, prižiūrint ir naudojam gaminį, būtina perskaityti šiam vadove pateiktus nurodymus.
- Tähtis!** Enne masina kokkupanekut, hooldamist ja kasutama hakkamist tuleb käesolevas juhendis esitatud juhised kindlasti läbi lugeda.
- Upozorenje!** Vrlo je važno da ste prije sklapanja, održavanja i rada s ovim proizvodom pročitali upute u ovom priručniku.
- Pomembno!** Pomembno je da pred montažo vzdrževanjem in uporabo tega izdelka preberete navodila v tem priročniku.
- Upozornenie!** Je dôležité, aby ste si pred montážou, údržbou a obsluhou produktu prečítali pokyny v tomto návode.
- Важно!** Исключительно важно е да прочетете инструкциите в настоящото ръководство, преди да преминете към сглобяване, поддръжка или работа с продукта.
- Важливо!** Дуже важливо, щоб ви прочитали інструкції в цьому керівництві перед складанням, обслуговуванням та експлуатацією цієї машини.
- Önemli!** Ürünü monte etmeden, kullanmadan ve bakımını yapmadan önce bu kılavuzdaki talimatları okumanız önemlidir.

Subject to technical modification | Sous réserve de modifications techniques | Technische Änderungen vorbehalten | Bajo reserva de modificaciones técnicas | Con riserva di eventuali modifiche tecniche | Technische wijzigingen voorbehouden | Com reserva de modificações técnicas | Med forbehold for tekniske ændringer | Med förbehåll för tekniska ändringar | Tekniset muutokset varataan | Med forbehold om tekniske endringer | могут быть внесены технические изменения | Z zastrzeżeniem modyfikacji technicznych | Změny technických údajů vyhrazeny | A műszaki módosítás jogát fenntartjuk | Sub rezerva modificațiilor tehnice | Paturam tiesības mainīt tehniskos raksturlielumus | Pasiliekiant teisę daryti techninius pakeitimus | Tehnilised muudatused võimalikud | Podloženo tehničkim promjenama | Tehnične spremembe dopuščene | Právo na technické zmeny je vyhradené | Подлежи на технически модификации | Є об'єктом для технічних змін | Teknik değişikliğe tabidir.





Safety, performance, and dependability have been given top priority in the design of your cordless patio cleaner.

INTENDED USE

The cordless patio cleaner is intended to be used only by adults who have read and understood the instructions and warnings in this manual and can be considered responsible for their actions.

The product is only intended for use outdoors in a well-ventilated area. The product is used to clean flat surfaces, joints, and in-between surfaces outdoors, including stone slabs, tiles, paving stones, and wood surfaces. The product is not suitable for vertical use like house walls and overhead work like ceilings.

Do not use the product for any other purpose.

GENERAL POWER TOOL SAFETY WARNINGS

WARNING

Read all safety warnings, instructions, illustrations and specifications provided with this power tool. Failure to follow the warnings and instructions may result in electric shock, fire and/or serious injury.

Save all warnings and instructions for future reference.

The term "power tool" in the warnings refers to your mains-operated (corded) power tool or battery-operated (cordless) power tool.

WORK AREA SAFETY

- **Keep work area clean and well lit.** Cluttered or dark areas invite accidents.
- **Do not operate power tools in explosive atmospheres, such as in the presence of flammable liquids, gases or dust.** Power tools create sparks which may ignite the dust or fumes.
- **Keep children and bystanders away while operating a power tool.** Distractions can cause you to lose control.

ELECTRICAL SAFETY

- **Power tool plugs must match the outlet. Never modify the plug in any way. Do not use any adapter plugs with earthed (grounded) power tools.** Unmodified plugs and matching outlets will reduce risk of electric shock.
- **Avoid body contact with earthed or grounded surfaces, such as pipes, radiators, ranges, and refrigerators.** There is an increased risk of electric shock if your body is earthed or grounded
- **Do not expose power tools to rain or wet conditions.** Water entering a power tool will increase the risk of electric shock.
- **Do not abuse the cord. Never use the cord for carrying, pulling or unplugging the power tool. Keep cord away from heat, oil, sharp edges, or moving parts.** Damaged or entangled cords increase the risk of electric shock.

- **When operating a power tool outdoors, use an extension cord suitable for outdoor use.** Use of a cord suitable for outdoor use reduces the risk of electric shock.
- **If operating a power tool in a damp location is unavoidable, use a residual current device (RCD) protected supply.** Use of an RCD reduces the risk of electric shock.

PERSONAL SAFETY

- **Stay alert, watch what you are doing, and use common sense when operating a power tool. Do not use a power tool while you are tired or under the influence of drugs, alcohol, or medication.** A moment of inattention while operating power tools may result in serious personal injury.
- **Use personal protective equipment. Always wear eye protection.** Protective equipment such as dust mask, non-skid safety shoes, hard hat, or hearing protection used for appropriate conditions will reduce personal injury.
- **Prevent unintentional starting. Ensure the switch is in the off-position before connecting to power source and/or battery pack, picking up or carrying the tool.** Carrying power tools with your finger on the switch or energising power tools that have the switch on invites accidents.
- **Remove any adjusting key or wrench before turning the power tool on.** A wrench or a key left attached to a rotating part of the power tool may result in personal injury.
- **Do not overreach. Keep proper footing and balance at all times.** This enables better control of the power in unexpected situations.
- **Dress properly. Do not wear loose clothing or jewellery. Keep your hair, clothing, and gloves away from moving parts.** Loose clothes, jewellery, or long hair can be caught in moving parts.
- **If devices are provided for the connection of dust extraction and collection facilities, ensure these are connected and properly used.** Use of dust collection can reduce dust-related hazards.
- **Do not let familiarity gained from frequent use of tools allow you to become complacent and ignore tool safety principles.** A careless action can cause severe injury within a fraction of a second.

POWER TOOL USE AND CARE

- **Do not force the power tool. Use the correct power tool for your application.** The correct power tool will do the job better and safer at the rate for which it was designed.
- **Do not use the power tool if the switch does not turn it on and off.** Any power tool that cannot be controlled with switch is dangerous and must be repaired.
- **Disconnect the plug from the power source and/or the battery pack from the power tool before making any adjustments, changing accessories, or storing power tools.** Such preventive safety measures reduce the risk of starting the power tool accidentally.

EN
FR
DE
ES
IT
NL
PT
DA
SV
FI
NO
RU
PL
CS
HU
RO
LV
LT
ET
HR
SL
SK
BG
UK
TR





- **Store idle power tools out of the reach of children and do not allow persons unfamiliar with the power tool or these instructions to operate the power tool.** Power tools are dangerous in the hands of untrained users.
- **Maintain power tools. Check for misalignment or binding of moving parts, breakage of parts and any other condition that may affect the power tool's operation. If damaged, have the power tool repaired before use.** Many accidents are caused by poorly maintained power tools.
- **Keep cutting tools sharp and clean.** Properly maintained cutting tools with sharp cutting edges are less likely to bind and are easier to control.
- **Use the power tool, accessories and tool bits etc. in accordance with these instructions, taking into account the working conditions and the work to be performed.** Use of the power tool for operations different from those intended could result in a hazardous situation.
- **Keep handles and grasping surfaces dry, clean and free from oil and grease.** Slippery handles and grasping surfaces do not allow for safe handling and control of the tool in unexpected situations.

BATTERY TOOL CARE AND USE

- **Recharge only with the charger specified by the manufacturer.** A charger that is suitable for one type of battery pack may create a risk of fire when used with another battery pack.
- **Use power tools only with specifically designated battery packs.** Use of any other battery packs may create a risk of injury and fire
- **When battery pack is not in use, keep it away from other metal objects, like paper clips, coins, keys, nails, screws or other small metal objects, that can make a connection from one terminal to another.** Shorting the battery terminals together may cause burns or a fire.
- **Under abusive conditions, liquid may be ejected from the battery; avoid contact. If contact accidentally occurs, flush with water. If liquid contacts eyes, additionally seek medical help.** Liquid ejected from the battery may cause irritation or burns.
- **Do not use a battery pack or tool that is damaged or modified.** Damaged or modified batteries may exhibit unpredictable behaviour resulting in fire, explosion or risk of injury.
- **Do not expose a battery pack or tool to fire or excessive temperature.** Exposure to fire or temperature above 130 °C may cause explosion.
- **Follow all charging instructions and do not charge the battery pack or tool outside the temperature range specified in the instructions.** Charging improperly or at temperatures outside the specified range may damage the battery and increase the risk of fire.

SERVICE

- **Have your power tool serviced by a qualified repair person using only identical replacement parts.** This will ensure that safety of the power tool is maintained.
- **Never service damaged battery packs.** Service of battery packs should only be performed by the manufacturer or authorized service providers.

GENERAL SAFETY WARNINGS

WARNING

Read all safety warnings, instructions, illustrations and specifications provided with this power tool. Failure to follow the warnings and instructions may result in electric shock, fire and/or serious injury.

WARNING

When using the product, the safety rules must be followed. For your own safety and that of bystanders, please read these instructions before operating the product. Please keep the instruction safe for later use.

WARNING

The product is not intended to be used by children or persons with reduced physical, mental, or sensory capabilities. Children should be adequately supervised to ensure they do not play with the product.

WARNING

Some regions have regulations that restrict the use of the product. Check with your local authority for advice.

TRAINING

- Read the instructions carefully. Be familiar with all controls and the proper use of the product.
- Never allow children or people unfamiliar with these instructions to use the product. Local regulations may restrict the age of the operator.
- Keep bystanders, children, and pets 15 m away from the area of operation. Stop the product if anyone enters the area.
- Never use the product when you are tired, ill, or under the influence of alcohol, drugs, or medicine.
- Keep in mind that the operator or user is responsible for accidents or hazards occurring to other people or their property.

PREPARATION

- Wear full eye and hearing protection while operating the product. If working in an area where there is a risk of falling objects, head protection must be worn.
- Hearing protection may restrict the operator's ability to hear warning sounds. Pay particular attention to potential hazards around and inside the working area.





EN
FR
DE
ES
IT
NL
PT
DA
SV
FI
NO
PL
RU
CS
HU
RO
LV
LT
ET
HR
SL
SK
BG
UK
TR

- Wear heavy, long trousers, boots, and gloves. Do not wear loose fitting clothing, short trousers, jewellery of any kind, or use with bare feet.
- Secure long hair so it is above shoulder level to prevent entanglement in moving parts.
- Before use and after any impact, check that there are no damaged parts. A defective switch or any part that is damaged or worn should be properly repaired or replaced by an authorised service centre.
- Make sure the cleaning attachment is properly installed and securely fastened.
- Never operate the product unless all guards, deflectors, and handles are properly and securely attached.
- Consider the environment in which you are working. Keep the working area free from wires, sticks, stones, and debris which if struck by the cutter can become thrown objects.

BATTERY TOOL USE AND CARE

- Recharge only with the charger specified by the manufacturer. A charger that is suitable for one type of battery pack may create a risk of fire when used with another battery pack.
- Use power tools only with specifically designated battery packs. Use of any other battery packs may create a risk of injury and fire.
- When battery pack is not in use, keep it away from other metal objects, like paper clips, coins, keys, nails, screws, or other small metal objects that can make a connection from one terminal to another. Shorting the battery terminals together may cause burns or a fire.
- Under abusive conditions, liquid may be ejected from the battery; avoid contact. If contact accidentally occurs, flush with water. If liquid contacts eyes, additionally seek medical help. Liquid ejected from the battery may cause irritation or burns.

CORDLESS PATIO CLEANER SAFETY WARNINGS

- Never allow children, persons with reduced physical, sensory, or mental capabilities, or lack of experience and knowledge or people unfamiliar with these instructions to use the product.
- Use the product in daylight or with good artificial light.
- Keep proper footing and balance at all times and be sure of proper footing on slopes.
- Do not walk backwards when using the product.
- Walk, never run.
- Keep the head attachment below waist level.
- Never operate the product with damaged guards or without the guards in place.
- Keep hands and feet away from the cleaning means at all times, especially when switching on the motor.
- Never operate the product with damaged guards or without the guards in place.
- Turn off and remove the battery pack. Make sure all moving parts have come to a complete stop:
 - before servicing
 - before leaving the product unattended

- before clearing a blockage
- before checking, cleaning, and working on the product
- before changing accessories
- after striking a foreign object
- whenever performing maintenance
- whenever the product starts to vibrate abnormally
- Wear full eye and hearing protection while using the product. If working in an area where there is a risk of falling objects, head protection must be worn.
- Hearing protection may restrict the operator's ability to hear warning sounds. Pay particular attention to potential hazards around and inside the working area.
- Secure long hair
- so it is above shoulder level to prevent entanglement in moving parts.
- Always ensure that ventilation openings are kept clear of debris.
- Before use and after any impact, check that there are no damaged parts. A defective switch or any part that is damaged should be properly repaired or replaced by an authorised service centre.
- Do not modify the product in any way, this may increase the risk of injury to yourself or others.
- Immediately turn off and remove the battery pack in the event of accident or breakdown. Do not operate the product again until it has been fully checked by an authorised service centre.
- Always test the product on the material to be cleaned prior to starting full operation.

ADDITIONAL BATTERY SAFETY WARNINGS

WARNING

To reduce the risk of fire, personal injury, and product damage due to a short circuit, never immerse your tool, battery pack or charger in fluid or allow a fluid to flow inside them. Corrosive or conductive fluids, such as seawater, certain industrial chemicals, and bleach or bleach-containing products, etc., can cause a short circuit.

TRANSPORTATION AND STORAGE

- Stop the product, remove the battery pack, and allow it to cool down before storing or transporting.
- Clean all foreign material from the product.
- Do not store or transport the product with batteries fitted, remove and secure separately. Store the product in a cool, dry, and well-ventilated place that is inaccessible to children. Keep away from corrosive agents, such as garden chemicals and de-icing salts. Do not store outdoors.
- Keep the product out of the reach of children.
- For transportation in vehicles, secure the product against movement or falling to prevent injury to persons or damage to the product.



TRANSPORTING LITHIUM BATTERIES

Transport the battery in accordance with local and national provisions and regulations. Follow all special requirements on packaging and labelling when transporting batteries by a third party.

Ensure that no batteries can come in contact with other batteries or conductive materials while in transport by protecting exposed connectors with insulating, non-conductive caps or tape. Do not transport batteries that are cracked or leaking. Check with the forwarding company for further advice.

MAINTENANCE

WARNING

Use only original manufacturer's replacement parts, accessories, and attachments. Failure to do so can cause possible injury, can contribute to poor performance, and may void your warranty.

WARNING

Servicing requires extreme care and knowledge and should be performed only by a qualified service technician. Have the product serviced by an authorised service centre only. When servicing, use only original replacement parts.

- Turn off and remove the battery pack before conducting any maintenance or cleaning work.
- You may make adjustments and repairs described in this manual. For other repairs, contact the authorised service agent.
- Check all nuts, bolts, and screws at frequent intervals for proper tightness to ensure the product is in safe working condition. Any part that is damaged should be properly repaired or replaced by an authorised service centre.
- Bring the product to an authorised service centre to replace damaged or unreadable labels.

RESIDUAL RISKS

Even when the product is used as prescribed, it is still impossible to completely eliminate certain residual risk factors. The following hazards may arise during use, and the operator should pay special attention to avoid the following:

- injury caused by vibration
 - Hold the product by designated handles and restrict working time and exposure.
- injury caused by exposure to noise
 - Wear hearing protection and limit exposure.
- injury caused by flying debris.
 - Wear eye protection at all times.

RISK REDUCTION

It has been reported that vibrations from handheld tools may contribute to a condition called Raynaud's Syndrome. Symptoms may include tingling, numbness and blanching of the fingers, usually apparent upon exposure to cold. Hereditary factors, exposure to cold and dampness, diet, smoking and work practices are all thought to contribute to the development of these symptoms. There are measures that can be taken by the operator to possibly reduce the effects of vibration:

- Keep your body warm in cold weather. When operating the product, wear gloves to keep the hands and wrists warm. It is reported that cold weather is a major factor contributing to Raynaud's Syndrome.
- After each period of operation, exercise to increase blood circulation.
- Take frequent work breaks. Limit the amount of exposure per day.

If you experience any of the symptoms of this condition, immediately discontinue use and see your physician.

WARNING

Injuries may be caused, or aggravated, by prolonged use of a tool. When using any tool for prolonged periods, ensure you take regular breaks.

KNOW YOUR PRODUCT

See page 138.

Parts

1. Lock-out trigger
2. Trigger
3. Wire brush
4. Wheel
5. Roller brush assembly
6. Roller brush
7. Charger
8. Battery latch
9. Battery
10. Attachment change button
11. Telescoping latch
12. Knob
13. Handle

SYMBOLS ON THE PRODUCT



Read and understand all instructions before operating the product, follow all warnings and safety instructions.



Wear eye protection



Wear ear protection



Wear protective gloves



Wear non-slip safety footwear when using the product.



Do not expose to rain or damp condition.



Beware of thrown or flying objects. Keep all bystanders, especially children and pets, at least 15 m away from the operating area.



Keep hands away



Waste electrical products should not be disposed of with household waste. Please recycle where facilities exist. Check with your local authority or retailer for recycling advice.



Conforms to all regulatory standards in the country in the EU where the product is purchased.



EurAsian Conformity Mark



Ukrainian mark of conformity

EN
FR
DE
ES
IT
NL
PT
DA
SV
FI
NO
RU
PL
CS
HU
RO
LV
LT
ET
HR
SL
SK
BG
UK
TR

The following signal words and meanings are intended to explain the levels of risk associated with the product:



Indicates an imminently hazardous situation, which, if not avoided, will result in death or serious injury.



Indicates a potentially hazardous situation, which, if not avoided, could result in death or serious injury.



Indicates a potentially hazardous situation, which, if not avoided, may result in minor or moderate injury.

CAUTION

(Without Safety Alert Symbol)
Indicates a situation that may result in property damage.

SYMBOLS IN THIS MANUAL



Parts or accessories sold separately



Note



Warning



Lors de la conception du nettoyeur de surfaces sans fil, l'accent a été mis sur la sécurité, les performances et la fiabilité.

UTILISATION PRÉVUE

Le nettoyeur de surfaces est uniquement conçu pour une utilisation par les adultes qui ont lu et compris les instructions et avertissements de cette notice et qui peuvent être considérés comme responsables de leurs actes.

Ce produit ne doit être utilisé qu'à l'extérieur dans une zone bien ventilée. Ce produit permet de nettoyer les surfaces planes, les joints et les interstices entre les différentes surfaces à l'extérieur, notamment les dalles de pierre, le carrelage, les pavés et les surfaces en bois. Ce produit ne convient pas à un usage à la verticale, comme pour les murs des maisons et les surfaces en hauteur comme les plafonds.

Ne l'utilisez pour aucun autre travail.

AVERTISSEMENTS DE SÉCURITÉ GÉNÉRAUX POUR L'OUTIL ÉLECTRIQUE

AVERTISSEMENT

Lire tous les avertissements de sécurité, les instructions, les illustrations et les spécifications fournis avec cet outil électrique. Ne pas suivre les instructions énumérées ci-dessous peut provoquer un choc électrique, un incendie et/ou une blessure sérieuse.

Conserver tous les avertissements et toutes les instructions pour pouvoir s'y reporter ultérieurement.

Le terme «outil électrique» dans les avertissements fait référence à votre outil électrique alimenté par le secteur (avec cordon d'alimentation) ou votre outil électrique fonctionnant sur batterie (sans cordon d'alimentation).

SÉCURITÉ DE LA ZONE DE TRAVAIL

- **Conserver la zone de travail propre et bien éclairée.** Les zones en désordre ou sombres sont propices aux accidents.
- **Ne pas faire fonctionner les outils électriques en atmosphère explosive, par exemple en présence de liquides inflammables, de gaz ou de poussières.** Les outils électriques produisent des étincelles qui peuvent enflammer les poussières ou les fumées.
- **Maintenir les enfants et les personnes présentes à l'écart pendant l'utilisation de l'outil électrique.** Les distractions peuvent vous faire perdre le contrôle de l'outil.

SÉCURITÉ ÉLECTRIQUE

- **Il faut que les fiches de l'outil électrique soient adaptées au socle. Ne jamais modifier la fiche de quelque façon que ce soit. Ne pas utiliser d'adaptateurs avec des outils électriques à branchement de terre.** Des fiches non modifiées et des socles adaptés réduisent le risque de choc électrique.
- **Éviter tout contact du corps avec des surfaces**

reliées à la terre telles que les tuyaux, les radiateurs, les cuisinières et les réfrigérateurs. Il existe un risque accru de choc électrique si votre corps est relié à la terre.

- **Ne pas exposer les outils électriques à la pluie ou à des conditions humides.** La pénétration d'eau à l'intérieur d'un outil électrique augmente le risque de choc électrique.
- **Ne pas maltraiter le cordon. Ne jamais utiliser le cordon pour porter, tirer ou débrancher l'outil électrique. Maintenir le cordon à l'écart de la chaleur, du lubrifiant, des arêtes vives ou des parties en mouvement.** Des cordons endommagés ou emmêlés augmentent le risque de choc électrique.
- **Lorsqu'on utilise un outil électrique à l'extérieur, utiliser un prolongateur adapté à l'utilisation extérieure.** L'utilisation d'un cordon adapté à l'utilisation extérieure réduit le risque de choc électrique.
- **Si l'usage d'un outil électrique dans un emplacement humide est inévitable, utiliser une alimentation protégée par un dispositif à courant différentiel résiduel (RCD).** L'usage d'un RCD réduit le risque de choc électrique.

SÉCURITÉ DES PERSONNES

- **Rester vigilant, regarder ce que vous êtes en train de faire et faire preuve de bon sens dans votre utilisation de l'outil électrique. Ne pas utiliser un outil électrique lorsque vous êtes fatigué ou sous l'emprise de drogues, de l'alcool ou de médicaments.** Un moment d'inattention en cours d'utilisation d'un outil électrique peut entraîner des blessures graves.
- **Utiliser un équipement de protection individuelle. Toujours porter une protection pour les yeux.** Les équipements de protection individuelle tels que les masques contre les poussières, les chaussures de sécurité antidérapantes, les casques ou les protections auditives utilisés pour les conditions appropriées réduisent les blessures.
- **Éviter tout démarrage intempestif. S'assurer que l'interrupteur est en position arrêt avant de brancher l'outil au secteur et/ou au bloc de batteries, de le ramasser ou de le porter.** Porter les outils électriques en ayant le doigt sur l'interrupteur ou brancher des outils électriques dont l'interrupteur est en position marche est source d'accidents.
- **Retirer toute clé de réglage avant de mettre l'outil électrique en marche.** Une clé laissée fixée sur une partie tournante de l'outil électrique peut donner lieu à des blessures.
- **Ne pas se précipiter. Garder une position et un équilibre adaptés à tout moment.** Cela permet un meilleur contrôle de l'outil électrique dans des situations inattendues.
- **S'habiller de manière adaptée. Ne pas porter de vêtements amples ou de bijoux. Garder les cheveux et les vêtements à distance des parties en mouvement.** Des vêtements amples, des bijoux ou les cheveux longs peuvent être pris dans des parties en mouvement.
- **Si des dispositifs sont fournis pour le raccordement d'équipements pour l'extraction et la récupération des poussières, s'assurer qu'ils sont connectés**





et correctement utilisés. Utiliser des collecteurs de poussière peut réduire les risques dus aux poussières.

- **Rester vigilant et ne pas négliger les principes de sécurité de l'outil sous prétexte que vous avez l'habitude de l'utiliser.** Une fraction de seconde d'inattention peut provoquer une blessure grave.

UTILISATION ET ENTRETIEN DE L'OUTIL ÉLECTRIQUE

- **Ne pas forcer l'outil électrique. Utiliser l'outil électrique adapté à votre application.** L'outil électrique adapté réalise mieux le travail et de manière plus sûre au régime pour lequel il a été construit.
- **Ne pas utiliser l'outil électrique si l'interrupteur ne permet pas de passer de l'état de marche à arrêt et inversement.** Tout outil électrique qui ne peut pas être commandé par l'interrupteur est dangereux et il faut le réparer.
- **Débrancher la fiche de la source d'alimentation et/ou enlever le bloc de batteries, s'il est amovible, avant tout réglage, changement d'accessoires ou avant de ranger l'outil électrique.** De telles mesures de sécurité préventives réduisent le risque de démarrage accidentel de l'outil électrique.
- **Conserver les outils électriques à l'arrêt hors de la portée des enfants et ne pas permettre à des personnes ne connaissant pas l'outil électrique ou les présentes instructions de le faire fonctionner.** Les outils électriques sont dangereux entre les mains d'utilisateurs novices.
- **Observer la maintenance des outils électriques et des accessoires. Vérifier qu'il n'y a pas de mauvais alignement ou de blocage des parties mobiles, des pièces cassées ou toute autre condition pouvant affecter le fonctionnement de l'outil électrique.** En cas de dommages, faire réparer l'outil électrique avant de l'utiliser. De nombreux accidents sont dus à des outils électriques mal entretenus.
- **Garder affûtés et propres les outils permettant de couper.** Des outils destinés à couper correctement entretenus avec des pièces coupantes tranchantes sont moins susceptibles de bloquer et sont plus faciles à contrôler.
- **Utiliser l'outil électrique, les accessoires et les lames etc., conformément à ces instructions, en tenant compte des conditions de travail et du travail à réaliser.** L'utilisation de l'outil électrique pour des opérations différentes de celles prévues peut donner lieu à des situations dangereuses.
- **Il faut que les poignées et les surfaces de préhension restent sèches, propres et dépourvues d'huiles et de graisses.** Des poignées et des surfaces de préhension glissantes rendent impossibles la manipulation et le contrôle en toute sécurité de l'outil dans les situations inattendues.

UTILISATION DES OUTILS FONCTIONNANT SUR BATTERIES ET PRÉCAUTIONS D'EMPLOI

- **Ne recharger qu'avec le chargeur spécifié par le fabricant.** Un chargeur qui est adapté à un type de bloc de batteries peut créer un risque de feu lorsqu'il est utilisé avec un autre type de bloc de batteries.
- **N'utiliser les outils électriques qu'avec des blocs de batteries spécifiquement désignés.** L'utilisation de tout autre bloc de batteries peut créer un risque de

blessure et de feu.

- **Lorsqu'un bloc de batteries n'est pas utilisé, le maintenir à l'écart de tout autre objet métallique, par exemple trombones, pièces de monnaie, clés, clous, vis ou autres objets de petite taille qui peuvent donner lieu à une connexion d'une borne à une autre.** Le court-circuitage des bornes d'une batterie entre elles peut causer des brûlures ou un feu.
- **Dans de mauvaises conditions, du liquide peut être éjecté de la batterie; éviter tout contact. En cas de contact accidentel, nettoyer à l'eau. Si le liquide entre en contact avec les yeux, rechercher en plus une aide médicale.** Le liquide éjecté des batteries peut causer des irritations ou des brûlures.
- **Ne pas utiliser un bloc de batteries ou un outil fonctionnant sur batteries qui a été endommagé ou modifié.** Les batteries endommagées ou modifiées peuvent avoir un comportement imprévisible provoquant un feu, une explosion ou un risque de blessure.
- **Ne pas exposer un bloc de batteries ou un outil fonctionnant sur batteries au feu ou à une température excessive.** Une exposition au feu ou à une température supérieure à 130 °C peut provoquer une explosion.
- **Suivre toutes les instructions de charge et ne pas charger le bloc de batteries ou l'outil fonctionnant sur batteries hors de la plage de températures spécifiée dans les instructions.** Un chargement incorrect ou à des températures hors de la plage spécifiée de températures peut endommager la batterie et augmenter le risque de feu.

ENTRETIEN

- **Faire entretenir l'outil électrique par un réparateur qualifié utilisant uniquement des pièces de rechange identiques.** Cela assure le maintien de la sécurité de l'outil électrique.
- **Ne jamais effectuer d'opération d'entretien sur des blocs de batteries endommagés.** Il convient que l'entretien des blocs de batteries ne soit effectué que par le fabricant ou les fournisseurs de service autorisés.

AVERTISSEMENTS GÉNÉRAUX DE SÉCURITÉ

AVERTISSEMENT

Lire l'ensemble des instructions des mises en garde de sécurité, des illustrations et des spécifications fournies avec ce produit. Le non-respect des avertissements et instructions peut entraîner une décharge électrique, un incendie et/ou de graves blessures.

AVERTISSEMENT

Suivez les règles de sécurité lorsque vous utilisez le produit. Pour votre sécurité et celle des passants, veuillez lire ces instructions avant d'utiliser le produit. Veuillez conserver instructions pour vous y reporter ultérieurement.

EN
FR
DE
ES
IT
NL
PT
DA
SV
FI
NO
RU
PL
CS
HU
RO
LV
LT
ET
HR
SL
SK
BG
UK
TR



⚠ AVERTISSEMENT

Ce produit ne doit pas être utilisé par des enfants ou par des personnes aux capacités physiques, sensorielles ou mentales diminuées. Les enfants doivent être bien surveillés afin de s'assurer qu'ils ne jouent pas avec le produit.

⚠ AVERTISSEMENT

La législation de certaines régions restreint l'utilisation du produit. Contactez les autorités locales pour obtenir des conseils.

FORMATION

- Lisez attentivement les instructions. Familiarisez-vous avec les commandes du produit ainsi qu'avec son utilisation correcte.
- Ne laissez jamais les enfants ou les personnes non familiarisées avec ces instructions utiliser le produit. Les lois locales peuvent imposer un âge minimum à l'opérateur.
- Gardez les passants, les enfants et les animaux éloignés d'au moins 15 m de la zone de travail. Arrêtez le produit lorsque quiconque pénètre dans la zone de travail.
- N'utilisez jamais le produit lorsque vous êtes fatigué, malade, ou sous l'influence de l'alcool, de drogues ou de médicaments.
- Gardez à l'esprit que l'opérateur est responsable des accidents qui arrivent aux autres personnes présentes dans sa propriété.

PRÉPARATION

- Portez une protection auditive et oculaire totale lorsque vous utilisez ce produit. Si vous travaillez dans une zone qui comporte des risques de chute d'objets, portez un casque de chantier.
- Le port d'une protection auditive est susceptible de diminuer la capacité de l'opérateur à entendre les sons d'alerte. Faites particulièrement attention aux dangers éventuels dans la zone de travail et à ses alentours.
- Portez des pantalons longs et épais, des bottes et des gants. Ne portez pas de vêtements amples, de shorts ou de bijoux quels qu'ils soient, et ne travaillez pas pieds nus.
- Si vous avez les cheveux longs, attachez-les au-dessus du niveau des épaules afin d'éviter qu'ils ne se prennent dans les parties en mouvement.
- Avant utilisation et après tout impact, vérifiez qu'aucun élément n'est endommagé. Un interrupteur défectueux ou toute autre pièce endommagée doit être correctement remplacée ou réparée par un service après-vente agréé.
- S'assurer que l'accessoire de nettoyage est bien installé et qu'il est correctement fixé.
- N'utilisez jamais le produit sans que toutes les protections, tous les déflecteurs et toutes les poignées soient bien en place et bien verrouillés.

- Tenez compte de votre environnement de travail. Gardez la zone de travail exempte de fils, bâtons, pierres et débris qui pourraient se voir transformer en projectiles s'ils venaient à être happés par l'élément de coupe.

UTILISATION ET EMPLOI SOIGNEUX DES OUTILS ÉLECTRIQUES SANS FIL

- Ne chargez les blocs de batteries que dans des chargeurs recommandés par le fabricant. Un chargeur approprié à un type spécifique de batterie peut engendrer un risque d'incendie lorsqu'il est utilisé avec une autre batterie.
- Dans les outils électriques, n'utilisez que les blocs de batteries spécialement prévus pour ceux-ci. L'utilisation de tout autre bloc de batterie peut entraîner des blessures et des risques d'incendie.
- Lorsqu'un bloc de batterie n'est pas utilisé, maintenez-le à l'écart de tout autre objet métallique, par exemple trombones, pièces de monnaie, clés, clous, vis ou autres objets de petite taille qui peuvent donner lieu à une connexion d'une borne à une autre. Un court-circuit entre les contacts de batterie peut provoquer des brûlures ou un incendie.
- En cas d'utilisation abusive, du liquide peut sortir du bloc de batterie. Évitez tout contact avec ce liquide. En cas de contact accidentel, rincez soigneusement avec de l'eau. En cas de contact avec les yeux, consultez également un médecin. Le liquide qui sort du bloc de batterie peut entraîner des irritations de la peau ou causer des brûlures.

AVERTISSEMENTS DE SÉCURITÉ RELATIFS AU NETTOYEUR DE SURFACES SANS FIL

- Ne laissez jamais les enfants, les personnes aux capacités physiques, sensorielles ou mentales réduites ou n'ayant pas l'habitude ou les connaissances suffisantes, ni les personnes non familiarisées avec ces instructions utiliser ce produit.
- Veillez à ce que votre zone de travail soit bien éclairée (lumière du jour ou lumière artificielle).
- Conserver un bon appui et un bon équilibre en permanence, surtout dans les pentes.
- Ne reculez pas lors de l'utilisation du produit.
- Marchez, ne courez jamais.
- Garder l'accessoire de tête en dessous du niveau de la taille.
- N'utilisez jamais le produit si ses protections sont absentes ou endommagées.
- Tenir les mains et les pieds à l'écart des systèmes de nettoyage à tout moment, tout particulièrement lors de la mise en marche du moteur.
- N'utilisez jamais le produit si ses protections sont absentes ou endommagées.
- Mettre le bloc-batterie hors tension et le déposer. Assurez-vous que tous les éléments en mouvement se sont bien arrêtés:
 - avant entretien
 - avant de laisser le produit sans surveillance



- avant de retirer une obstruction
 - avant de travailler sur le produit, de le vérifier ou de le nettoyer
 - avant de changer les accessoires
 - après un choc avec un corps étranger
 - à chaque fois qu'une opération de maintenance est effectuée
 - si le produit se met à vibrer de façon anormale
- Portez une protection auditive et oculaire totale lorsque vous utilisez ce produit. Si vous travaillez dans une zone qui comporte des risques de chute d'objets, portez un casque de chantier.
 - Le port d'une protection auditive est susceptible de diminuer la capacité de l'opérateur à entendre les sons d'alerte. Faites particulièrement attention aux dangers éventuels dans la zone de travail et à ses alentours.
 - Si vous avez les cheveux longs, attachez-les au-dessus du niveau des épaules afin d'éviter qu'ils ne se prennent dans les parties en mouvement.
 - Assurez-vous que les ouïes de ventilation sont en permanence exemptes de débris.
 - Avant utilisation et après tout impact, vérifiez qu'aucun élément n'est endommagé. Un interrupteur défectueux ou toute autre pièce endommagée doit être correctement remplacée ou réparée par un service après-vente agréé.
 - Ne modifiez pas le produit de quelque manière que ce soit, sous peine d'augmenter les risques de blessures infligées à vous-même et aux autres.
 - En cas d'accident ou de panne, mettre immédiatement hors tension le bloc-batterie et le déposer. N'utilisez plus le produit jusqu'à ce qu'il ait été entièrement vérifié par un centre de service agréé.
 - Toujours tester le produit sur le matériau à nettoyer avant de procéder réellement à l'opération.

MISES EN GARDE DE SÉCURITÉ SUPPLÉMENTAIRES CONCERNANT LA BATTERIE

AVERTISSEMENT

Pour réduire le risque d'incendie, de blessures ou d'endommagement du produit causé par un court-circuit, n'immergez jamais l'outil, le bloc de batterie ou le chargeur dans du liquide, et ne laissez jamais de liquide pénétrer dans aucun d'entre eux. Les fluides corrosifs ou conducteurs, tels que l'eau de mer, certains produits chimiques industriels, les produits de blanchiment ou contenant des agents de blanchiment, etc. peuvent provoquer un court-circuit.

TRANSPORT ET STOCKAGE

- Arrêtez le produit, retirez la batterie, et laissez-les refroidir avant de les ranger ou de les transporter.
- Débarassez l'appareil de tous les corps étrangers.
- N'entreposez et ne transportez pas le produit équipé d'une batterie. Retirez-la et fixez-la séparément. Rangez la en un endroit frais, sec et correctement

ventilé, hors de portée des enfants. Ne la rangez pas à proximité d'agents corrosifs tels que produits chimiques de jardinage ou sels de dégel. Ne le rangez pas à l'extérieur.

- Gardez le produit hors de portée des enfants.
- Pour le transport, attachez le produit pour l'empêcher de bouger ou de tomber, afin d'éviter toute blessure et tout dommage matériel.

TRANSPORT DES BATTERIES AU LITHIUM

Transportez les batteries en conformité avec les dispositions et règlements locaux et nationaux. Respectez tous les exigences légales particulières concernant l'emballage et l'étiquetage des batteries lorsque vous confiez leur transport à un tiers.

Assurez-vous qu'aucune batterie ne puisse entrer en contact avec une autre batterie ou avec des matériaux conducteurs lors de son transport en isolant les bornes électriques avec du ruban adhésif ou des capuchons isolants. Ne transportez pas une batterie qui serait fendue ou qui fuirait. Demandez conseil au transporteur pour de plus amples informations.

ENTRETIEN

AVERTISSEMENT

N'utilisez que des pièces détachées et accessoires d'origine constructeur. Le non respect de cette précaution peut entraîner de mauvaises performances, des blessures, et annuler votre garantie.

AVERTISSEMENT

Les opérations d'entretien demandent un soin et des connaissances extrêmes et ne doivent être effectuées que par un technicien de service qualifié. Confier l'entretien du produit à un centre d'entretien agréé. N'utilisez que des pièces détachées identiques pour effectuer les réparations.

- Mettre hors tension et déposer le bloc-batterie avant toute opération de maintenance ou de nettoyage.
- Vous pouvez effectuer les réglages et réparations décrits dans ce manuel. Pour les autres réparations, contactez un service après-vente agréé.
- Vérifiez régulièrement le bon serrage des écrous, vis et boulons pour que le produit soit toujours en bon état de fonctionnement. Toute pièce endommagée doit être correctement remplacée ou réparée par un service après-vente agréé.
- Apportez le produit à un service après-vente agréé pour remplacer les étiquettes abîmées ou illisibles.

RISQUES RÉSIDUELS

Même lorsque le produit est utilisé selon les prescriptions, il reste impossible d'éliminer totalement certains facteurs de risque résiduels. Les dangers suivants risquent de se présenter en cours d'utilisation et l'utilisateur doit prêter particulièrement garde à ce qui suit:



- Blessures dues aux vibrations
 - Maintenez le produit par les poignées destinées à cet effet et limitez le temps de travail et d'exposition.
- Blessures dues au bruit
 - Portez une protection auditive et limitez le temps d'exposition
- Blessure causée par la projection de débris.
 - Portez en permanence une protection oculaire.

RÉDUCTION DES RISQUES

Il a été reporté que les vibrations engendrées par les outils tenus à la main peuvent contribuer à l'apparition d'un état appelé le syndrome de Raynaud chez certaines personnes. Les symptômes peuvent comprendre des fourmillements, un engourdissement et un blanchiment des doigts, généralement par temps froid. Des facteurs héréditaires, l'exposition au froid et à l'humidité, le régime alimentaire, le tabagisme et les habitudes de travail peuvent contribuer au développement de ces symptômes. Certaines mesures peuvent être prises par l'utilisateur pour aider à réduire les effets des vibrations:

- Gardez votre corps au chaud par temps froid. Lorsque vous utilisez le produit, portez des gants afin de garder vos mains et vos poignets au chaud. Le temps froid est considéré comme un facteur contribuant très largement à l'apparition du Syndrome de Raynaud.
- Après chaque session de travail, pratiquez des exercices qui favorisent la circulation sanguine.
- Faites des pauses fréquentes. Limitez la quantité d'exposition journalière.

Si vous ressentez l'un des symptômes associés à ce syndrome, arrêtez immédiatement le travail et consultez votre médecin pour lui en faire part.

⚠ AVERTISSEMENT

L'utilisation prolongée d'un outil est susceptible de provoquer ou d'aggraver des blessures. Assurez-vous de faire des pauses de façon régulière lorsque vous utilisez tout outil de façon prolongée.

APPRENEZ À CONNAÎTRE VOTRE PRODUIT

Voir page 138.

Pièces

1. Manette de verrouillage
2. Gâchette
3. Brosse métallique
4. Roué
5. Ensemble brosse rotative
6. Brosse rotative
7. Chargeur
8. Verrou de batterie
9. Batterie
10. Bouton de changement d'accessoire
11. Verrou télescopique
12. Écrou papillon
13. Poignée

SYMBOLES APPLIQUÉS SUR LE PRODUIT



Lisez et comprenez toutes les instructions avant d'utiliser le produit, respectez tous les avertissements et toutes les instructions de sécurité.



Portez une protection oculaire.



Portez une protection auditive.



Portez des gants de protection



Portez des chaussures de sécurité antidérapantes lorsque vous utilisez le produit.



N'exposez pas ce produit à la pluie ou à des conditions humides.



Prenez garde à la projection d'objets au sol et dans les airs. Gardez tous les passants, en particulier les enfants et les animaux, éloignés d'au moins 15 m de distance de la zone de travail.



Gardez les mains éloignées de la zone de travail



Les produits électriques hors d'usage ne doivent pas être jetés avec les ordures ménagères. Recyclez-les par l'intermédiaire des structures disponibles. Contactez les autorités locales ou votre distributeur pour vous renseigner sur les conditions de recyclage.



Cet outil est conforme à l'ensemble des normes réglementaires du pays de l'UE où il a été acheté.



Marque de qualité EurAsian



Marque de conformité ukrainienne

Les symboles suivants, et les noms qui leur sont associés, permettent d'expliquer les différents niveaux de risques liés à l'utilisation de cet outil.



Imminence d'un danger qui, si l'on n'y prend garde, peut entraîner la mort ou des blessures graves.



Situation potentiellement dangereuse qui, si l'on n'y prend garde, peut entraîner la mort ou des blessures graves.



MISE EN GARDE

Situation potentiellement dangereuse qui, si l'on n'y prend garde, peut entraîner des blessures moyennes ou légères.

MISE EN GARDE

(Sans symbole d'alerte de sécurité) Indique une situation pouvant entraîner des dommages matériels.

SYMBOLES DE CE MANUEL



Pièces détachées et accessoires vendus séparément



Remarque



AVERTISSEMENT

Sicherheit, Leistung und Zuverlässigkeit hatten oberste Priorität bei der Entwicklung Ihres Flächenreinigers.

BESTIMMUNGSGEMÄSSE VERWENDUNG

Der Flächenreiniger ist ausschließlich zur Nutzung durch Erwachsene konzipiert, die die Anleitung und die Sicherheitshinweise in diesem Handbuch gelesen und verstanden haben und als für ihre Handlungen verantwortlich betrachtet werden können.

Das Produkt ist ausschließlich zur Verwendung in einem gut belüfteten Bereich im Freien vorgesehen. Das Gerät ist zum Reinigen von glatten Oberflächen, Fugen und Zwischenräumen im Freien, einschließlich Pflasterplatten, Kacheln, Pflastersteinen und Holzoberflächen, geeignet. Das Gerät ist nicht zur vertikalen Nutzung, z. B. an Hauswänden, und zur Arbeit über Kopf wie z. B. an Decken geeignet.

Es darf zu keinen anderen Zwecken verwendet werden.

ALLGEMEINE SICHERHEITSHINWEISE FÜR ELEKTROWERKZEUGE

⚠️ WARNUNG

Lesen Sie alle Sicherheitshinweise und Anweisungen. Versäumnisse bei der Einhaltung der Sicherheitshinweise und Anweisungen können elektrischen Schlag, Brand und/oder schwere Verletzungen verursachen.

Bewahren Sie alle Sicherheitshinweise und Anweisungen für die Zukunft auf.

Der in den Sicherheitshinweisen verwendete Begriff „Elektrowerkzeug“ bezieht sich auf netzbetriebene Elektrowerkzeuge (mit Netzleitung) oder aufakkubetriebene Elektrowerkzeuge (ohne Netzleitung).

ARBEITSPLATZSICHERHEIT

- Halten Sie Ihren Arbeitsbereich sauber und gut beleuchtet. Unordnung oder unbeleuchtete Arbeitsbereiche können zu Unfällen führen.
- Arbeiten Sie mit dem Elektrowerkzeug nicht in explosionsgefährdeter Umgebung, in der sich brennbare Flüssigkeiten, Gase oder Stäube befinden. Elektrowerkzeuge erzeugen Funken, die den Staub oder die Dämpfe entzünden können.
- Halten Sie Kinder und andere Personen während der Benutzung des Elektrowerkzeugs fern. Bei Ablenkung können Sie die Kontrolle über das Gerät verlieren.

ELEKTRISCHE SICHERHEIT

- Der Anschlussstecker des Elektrowerkzeugs muss in die Steckdose passen. Der Stecker darf in keiner Weise verändert werden. Verwenden Sie keine Adapterstecker gemeinsam mit schutzgeerdeten Elektrowerkzeugen. Unveränderte Stecker und passende Steckdosen verringern das Risiko eines elektrischen Schlages.
- Vermeiden Sie Körperkontakt mit geerdeten Oberflächen wie von Rohren, Heizungen, Herden

und Kühlschränken. Es besteht ein erhöhtes Risiko durch elektrischen Schlag, wenn Ihr Körper geerdet ist.

- Halten Sie Elektrowerkzeuge von Regen oder Nässe fern. Das Eindringen von Wasser in ein Elektrowerkzeug erhöht das Risiko eines elektrischen Schlages.
- Zweckentfremden Sie die Anschlussleitung nicht, um das Elektrowerkzeug zu tragen, aufzuhängen oder um den Stecker aus der Steckdose zu ziehen. Halten Sie die Anschlussleitung fern von Hitze, Öl, scharfen Kanten oder sich bewegenden Geräteteilen. Beschädigte oder verwickelte Anschlussleitungen erhöhen das Risiko eines elektrischen Schlages.
- Wenn Sie mit einem Elektrowerkzeug im Freien arbeiten, verwenden Sie nur Verlängerungsleitungen, die auch für den Außenbereich geeignet sind. Die Anwendung einer für den Außenbereich geeigneten Verlängerungsleitung verringert das Risiko eines elektrischen Schlages.
- Wenn der Betrieb des Elektrowerkzeugs in feuchter Umgebung nicht vermeidbar ist, verwenden Sie einen Fehlerstromschutzschalter. Der Einsatz eines Fehlerstromschutzschalters vermindert das Risiko eines elektrischen Schlages.

SICHERHEIT VON PERSONEN

- Seien Sie aufmerksam, achten Sie darauf, was Sie tun, und gehen Sie mit Vernunft an die Arbeit mit einem Elektrowerkzeug. Benutzen Sie kein Elektrowerkzeug, wenn Sie müde sind oder unter dem Einfluss von Drogen, Alkohol oder Medikamenten stehen. Ein Moment der Unachtsamkeit beim Gebrauch des Elektrowerkzeugs kann zu ernsthaften Verletzungen führen.
- Tragen Sie persönliche Schutzausrüstung und immer eine Schutzbrille. Das Tragen persönlicher Schutzausrüstung, wie Staubmaske, rutschfeste Sicherheitsschuhe, Schutzhelm oder Gehörschutz, je nach Art und Einsatz des Elektrowerkzeugs, verringert das Risiko von Verletzungen.
- Vermeiden Sie eine unbeabsichtigte Inbetriebnahme. Vergewissern Sie sich, dass das Elektrowerkzeug ausgeschaltet ist, bevor Sie es an die Stromversorgung und/oder den Akku anschließen, es aufnehmen oder tragen. Wenn Sie beim Tragen des Elektrowerkzeugs den Finger am Schalter haben oder das Gerät eingeschaltet an die Stromversorgung anschließen, kann dies zu Unfällen führen.
- Entfernen Sie Einstellwerkzeuge oder Schraubenschlüssel, bevor Sie das Elektrowerkzeug einschalten. Ein Werkzeug oder Schlüssel, der sich in einem drehenden Teil des Elektrowerkzeugs befindet, kann zu Verletzungen führen.
- Vermeiden Sie eine abnormale Körperhaltung. Sorgen Sie für einen sicheren Stand und halten Sie jederzeit das Gleichgewicht. Dadurch können Sie das Elektrowerkzeug in unerwarteten Situationen besser kontrollieren.
- Tragen Sie geeignete Kleidung. Tragen Sie keine weite Kleidung oder Schmuck. Halten Sie Haare und Kleidung fern von sich bewegenden Teilen. Lockere Kleidung, Schmuck oder lange Haare können



von sich bewegenden Teilen erfasst werden.

- **Wenn Staubabsaug- und -auffangeinrichtungen montiert werden können, sind diese anzuschließen und richtig zu verwenden.** Verwendung einer Staubabsaugung kann Gefährdungen durch Staub verringern.
- **Wiegen Sie sich nicht in falscher Sicherheit und setzen Sie sich nicht über die Sicherheitsregeln für Elektrowerkzeuge hinweg, auch wenn sie nach vielfachem Gebrauch mit dem Elektrowerkzeug vertraut sind.** Achtloses Handeln kann binnen Sekundenbruchteilen zu schweren Verletzungen führen.

VERWENDUNG UND BEHANDLUNG DES ELEKTROWERKZEUGS

- **Überlasten Sie das Gerät nicht. Verwenden Sie für Ihre Arbeit das dafür bestimmte Elektrowerkzeug.** Mit dem passenden Elektrowerkzeug arbeiten Sie besser und sicherer im angegebenen Leistungsbereich.
- **Benutzen Sie kein Elektrowerkzeug, dessen Schalter defekt ist.** Ein Elektrowerkzeug, das sich nicht mehr ein- oder ausschalten lässt, ist gefährlich und muss repariert werden.
- **Ziehen Sie den Stecker aus der Steckdose und/oder entfernen Sie einen abnehmbaren Akku, bevor Sie Geräteeinstellungen vornehmen, Einsatzwerkzeuge wechseln oder das Gerät weglegen.** Diese Vorsichtsmaßnahme verhindert den unbeabsichtigten Start des Elektrowerkzeugs.
- **Bewahren Sie unbenutzte Elektrowerkzeuge außerhalb der Reichweite von Kindern auf. Lassen Sie keine Personen das Elektrowerkzeug benutzen, die mit diesem nicht vertraut sind oder diese Anweisungen nicht gelesen haben.** Elektrowerkzeuge sind gefährlich, wenn Sie von unerfahrenen Personen benutzt werden.
- **Pflegen Sie Elektrowerkzeuge und Einsatzwerkzeug mit Sorgfalt. Kontrollieren Sie, ob bewegliche Teile einwandfrei funktionieren und nicht klemmen, ob Teile gebrochen oder so beschädigt sind, dass die Funktion des Elektrowerkzeugs beeinträchtigt ist. Lassen Sie beschädigte Teile vor dem Einsatz des Gerätes reparieren.** Viele Unfälle haben ihre Ursache in schlecht gewarteten Elektrowerkzeugen.
- **Halten Sie Schneidwerkzeuge scharf und sauber.** Sorgfältig gepflegte Schneidwerkzeuge mit scharfen Schneidkanten verklemmen sich weniger und sind leichter zu führen.
- **Verwenden Sie Elektrowerkzeug, Zubehör, Einsatzwerkzeuge usw. entsprechend diesen Anweisungen. Berücksichtigen Sie dabei die Arbeitsbedingungen und die auszuführende Tätigkeit.** Der Gebrauch von Elektrowerkzeugen für andere als die vorgesehenen Anwendungen kann zu gefährlichen Situationen führen.
- **Halten Sie Griffe und Griffflächen trocken, sauber und frei von Öl und Fett.** Rutschige Griffe und Griffflächen erlauben keine sichere Bedienung und Kontrolle des Elektrowerkzeugs in unvorhergesehenen Situationen.

VERWENDUNG UND BEHANDLUNG VON AKKUWERKZEUGEN

- **Laden Sie die Akkus nur mit Ladegeräten auf, die vom Hersteller empfohlen werden.** Durch ein Ladegerät, das für eine bestimmte Art von Akku geeignet ist, besteht Brandgefahr, wenn es mit anderen Akkus verwendet wird.
- **Verwenden Sie nur die dafür vorgesehenen Akkus in den Elektrowerkzeugen.** Der Gebrauch von anderen Akkus kann zu Verletzungen und Brandgefahr führen.
- **Halten Sie den nicht benutzten Akku fern von Büroklammern, Münzen, Schlüsseln, Nägeln, Schrauben oder anderen kleinen Metallgegenständen, die eine Überbrückung der Kontakte verursachen könnten.** Ein Kurzschluss zwischen den Akkukontakten kann Verbrennungen oder Feuer zur Folge haben.
- **Bei falscher Anwendung kann Flüssigkeit aus dem Akku austreten. Vermeiden Sie den Kontakt damit. Bei zufälligem Kontakt mit Wasser abspülen. Wenn die Flüssigkeit in die Augen kommt, nehmen Sie zusätzlich ärztliche Hilfe in Anspruch.** Austretende Akkuflüssigkeit kann zu Hautreizungen oder Verbrennungen führen.
- **Benutzen Sie keinen beschädigten oder veränderten Akku.** Beschädigte oder veränderte Akkus können sich unvorhersehbar verhalten und zu Feuer, Explosion oder Verletzungsgefahr führen.
- **Setzen Sie einen Akku keinem Feuer oder zu hohen Temperaturen aus.** Feuer oder Temperaturen über 130°C können eine Explosion hervorrufen.
- **Befolgen Sie alle Anweisungen zum Laden und laden Sie den Akku oder das Akkuwerkzeug niemals außerhalb des in der Betriebsanleitung angegebenen Temperaturbereichs.** Falsches Laden oder Laden außerhalb des zugelassenen Temperaturbereichs kann den Akku zerstören und die Brandgefahr erhöhen.

SERVICE

- **Lassen Sie Ihr Elektrowerkzeug nur von qualifiziertem Fachpersonal und nur mit Original-Ersatzteilen reparieren.** Damit wird sichergestellt, dass die Sicherheit des Gerätes erhalten bleibt.
- **Warten Sie niemals beschädigte Akkus.** Sämtliche Wartung von Akkus sollte nur durch den Hersteller oder bevollmächtigte Kundendienststellen erfolgen.

ALLGEMEINE SICHERHEITSWARNUNGEN

WARNUNG

Lesen Sie alle Sicherheitshinweise, Anleitungen, Illustrationen und Spezifikationen zu diesem Gerät. Versäumnisse bei der Einhaltung der Sicherheitshinweise und Anweisungen können elektrischen Schlag, Brand und/oder schwere Verletzungen verursachen.



⚠️ WARNUNG

Die Sicherheitsregeln müssen befolgt werden, wenn dieses Produkt benutzt wird. Lesen Sie für Ihre eigene Sicherheit und die von Außenstehenden diese Anweisungen, bevor Sie das Produkt benutzen. Bitte bewahren Sie die Anweisungen zum späteren Nachschlagen auf.

⚠️ WARNUNG

Dieses Produkt ist nicht für Kinder oder Personen mit verminderten physischen, geistigen oder sensorischen Fähigkeiten geeignet. Kinder müssen ausreichend beaufsichtigt werden, so dass gewährleistet ist, dass sie nicht mit dem Produkt spielen.

⚠️ WARNUNG

In einigen Regionen können Vorschriften die Benutzung dieses Produkts einschränken. Lassen Sie sich von Ihrer örtlichen Behörde beraten.

UNTERWEISUNG

- Lesen Sie die Anweisungen sorgfältig durch. Machen Sie sich mit den Bedienelementen und dem ordnungsgemäßen Gebrauch des Produktes vertraut.
- Erlauben Sie niemals Kindern oder Personen, die mit diesen Anweisungen nicht vertraut sind, das Produkt zu benutzen. Die lokale Gesetzgebung regelt das Mindestalter des Benutzers.
- Halten Sie Zuschauer, Kinder und Haustiere 15 m von dem Arbeitsbereich fern. Stoppen Sie das Produkt, wenn jemand diesen Bereich betritt.
- Arbeiten Sie niemals mit dem Produkt, wenn Sie müde oder krank sind, oder unter dem Einfluss von Alkohol, Drogen oder Medikamenten stehen.
- Vergessen Sie nie, dass der Benutzer verantwortlich ist für Unfälle und Gefahren, die an Eigentum Fremder oder an anderen Personen entstehen könnte.

VORBEREITUNG

- Tragen Sie bei Einsatz dieses Geräts vollen Augen- und Gehörschutz. Bei Arbeiten in Bereichen, wo die Gefahr herabfallender Objekte besteht, muss Kopfschutz getragen werden.
- Ein Gehörschutz kann die Fähigkeit des Benutzers, Warntöne zu hören, einschränken. Achten Sie besonders auf mögliche Gefahren um und in dem Arbeitsbereich.
- Tragen Sie lange, schwere Hosen, Stiefel und Handschuhe. Tragen Sie keine locker sitzende Kleidung, kurze Hosen und keinen Schmuck. Gehen Sie nicht barfuß.
- Binden Sie lange Haare zurück, so dass diese sich über Schulterhöhe befinden, um zu verhindern, dass sie sich in beweglichen Teilen verfangen.
- Überprüfen Sie vor jeder Benutzung und nach jedem Schlag, dass keine Teile beschädigt sind. Ein defekter Schalter oder ein anderes Teil, das beschädigt

oder abgenutzt ist, muss durch den autorisierten Kundendienst ordnungsgemäß repariert oder ausgetauscht werden.

- Stellen Sie sicher, dass das Reinigungszubehör korrekt installiert und sicher befestigt ist.
- Bedienen Sie das Produkt niemals, ohne dass alle Schutzvorrichtungen, Abweiser und Griffe ordnungsgemäß und sicher befestigt sind.
- Prüfen Sie die Umgebung, in der Sie arbeiten. Halten Sie den Arbeitsbereich frei von Drähten, Stöcken, Steinen und Unrat, die emporgeschleudert werden können, wenn sie von dem Schneidwerkzeug getroffen werden.

VERWENDUNG UND BEHANDLUNG DES AKKUWERKZEUGES

- Laden Sie die Akkus nur in Ladegeräten auf, die vom Hersteller empfohlen werden. Für ein Ladegerät, das für eine bestimmte Art von Akku geeignet ist, besteht Brandgefahr, wenn es mit anderen Akkus verwendet wird.
- Verwenden Sie nur die dafür vorgesehenen Akkus in den Elektrowerkzeugen. Der Gebrauch von anderen Akkus kann zu Verletzungen und Brandgefahr führen.
- Halten Sie den nicht benutzten Akku fern von Büroklammern, Münzen, Schlüsseln, Nägeln, Schrauben oder anderen kleinen Metallgegenständen, die eine Überbrückung der Kontakte verursachen könnten. Ein Kurzschluss zwischen den Akkukontakten kann Verbrennungen oder Feuer zur Folge haben.
- Bei falscher Anwendung kann Flüssigkeit aus dem Akku austreten. Vermeiden Sie den Kontakt damit. Bei zufälligem Kontakt mit Wasser abspülen. Wenn die Flüssigkeit in die Augen kommt, nehmen Sie zusätzlich ärztliche Hilfe in Anspruch. Austretende Akkufflüssigkeit kann zu Hautreizungen oder Verbrennungen führen.

SICHERHEITSHINWEISE ZUM AKKU FLÄCHENREINIGER

- Lassen Sie niemals Kinder, Personen mit eingeschränkten körperlichen, sensorischen oder mentalen Fähigkeiten oder mangelnder Erfahrung und Wissen oder Personen die mit diesen Anweisungen nicht vertraut sind, das Produkt benutzen.
- Benutzen Sie das Produkt nur bei Tageslicht oder bei guter künstlicher Beleuchtung.
- Achten Sie jederzeit auf korrekten Stand und Balance und.
- Gehen Sie nicht rückwärts, wenn Sie das Produkt benutzen.
- Gehen Sie immer, laufen Sie nie.
- Halten Sie das Bürstenteil unterhalb der Taille.
- Nutzen Sie das Produkt niemals mit beschädigten oder nicht montierten Schutzvorrichtungen.
- Halten Sie Hände und Füße jederzeit und vor allem bei laufendem Gerät vom Reinigungszubehör fern, vor allem beim Einschalten des Motors.
- Nutzen Sie das Produkt niemals mit beschädigten oder nicht montierten Schutzvorrichtungen.



- Schalten Sie das Gerät aus und entfernen Sie den Akku. Stellen Sie sicher, dass alle bewegenden Teile vollständig angehalten sind:
 - bevor Sie das Produkt warten
 - bevor Sie das Produkt unbeaufsichtigt zurücklassen
 - bevor Sie eine Blockierung entfernen
 - bevor Sie das Produkt prüfen, reinigen oder daran arbeiten
 - bevor Sie Zubehörteile wechseln
 - nachdem ein Fremdkörper getroffen wurde
 - wenn Sie Wartungsarbeiten durchführen
 - wenn die Maschine anfängt ungewöhnlich zu vibrieren
- Tragen Sie bei Einsatz dieses Geräts vollen Augen- und Gehörschutz. Bei Arbeiten in Bereichen, wo die Gefahr herabfallender Objekte besteht, muss Kopfschutz getragen werden.
- Ein Gehörschutz kann die Fähigkeit des Benutzers, Warntöne zu hören, einschränken. Achten Sie besonders auf mögliche Gefahren um und in dem Arbeitsbereich.
- Binden Sie lange Haare zurück, so dass diese sich über Schulterhöhe befinden, um zu verhindern, dass sie sich in beweglichen Teilen verfangen.
- Stellen Sie immer sicher, dass die Belüftungsöffnungen frei von Ablagerungen gehalten werden.
- Überprüfen Sie vor jeder Benutzung und nach jedem Schlag, dass keine Teile beschädigt sind. Ein Schalter oder ein anderes Teil, das beschädigt ist, sollte durch den autorisierten Kundendienst ordnungsgemäß repariert oder ausgetauscht werden.
- Verändern Sie das Produkt nicht in irgendeiner Weise, das kann die Verletzungsgefahr für Sie und andere erhöhen.
- Schalten Sie das Gerät bei Unfällen oder Ausfällen sofort aus und entfernen Sie den Akku. Das Produkt darf nicht wieder in Betrieb genommen werden, bis es vollständig von einem autorisierten Kundendienst überprüft wurde.
- Testen Sie das Gerät vor dem Betrieb immer auf dem zu reinigenden Material.

WEITERE SICHERHEITSHINWEISE ZUM AKKU

WARNUNG

Um die durch einen Kurzschluss verursachte Gefahr eines Brandes, von Verletzungen oder Produktbeschädigungen zu vermeiden, tauchen Sie das Werkzeug, den Wechselakku oder das Ladegerät nicht in Flüssigkeiten ein und sorgen Sie dafür, dass keine Flüssigkeiten in die Geräte und Akkus eindringen. Korrodierende oder leitfähige Flüssigkeiten, wie Salzwasser, bestimmte Chemikalien und Bleichmittel oder Produkte, die Bleichmittel enthalten, können einen Kurzschluss verursachen.

TRANSPORT UND LAGERUNG

- Stoppen Sie das Produkt, entfernen Sie den Akku und lassen es abkühlen, bevor Sie es lagern oder transportieren.
- Entfernen Sie alle Fremdkörper vom Produkt.
- Lagern oder transportieren Sie das Produkt nicht mit eingelegten Akkus, sondern entfernen Sie diese und bewahren Sie sie separat auf. Lagern Sie das Produkt an einem kühlen, trockenen und gut belüfteten Ort, der Kindern keinen Zugang bietet. Von korrodierend wirkenden Stoffen, wie Gartenchemikalien und Enteisungssalzen, fernhalten. Nicht im Freien lagern.
- Bewahren Sie das Produkt außerhalb der Reichweite von Kindern auf.
- Sichern Sie das Produkt beim Transport in einem Fahrzeug gegen Bewegung oder Herunterfallen, um Verletzungen an Personen und Beschädigung des Produkts zu verhindern.

TRANSPORT VON LITHIUM-IONEN-AKKUS

Transportieren Sie Akkus gemäß Ihren örtlichen und nationalen Bestimmungen und Regeln. Befolgen Sie alle besonderen Anforderungen für Verpackung und Beschriftung, wenn Sie Akkus von Dritten transportieren lassen.

Stellen Sie sicher, dass beim Transport kein Akku in Kontakt mit anderen Akkus oder leitenden Materialien kommt, indem Sie die freien Anschlüsse mit Isolierband, nichtleitenden Kappen oder Klebeband schützen. Beschädigte oder auslaufende Akkus dürfen nicht transportiert werden. Weitere Informationen erhalten Sie bei Ihrem Transportunternehmen.

WARTUNG UND PFLEGE

WARNUNG

Verwenden Sie ausschließlich original Ersatzteile, Zubehör und Aufsätze des Herstellers. Nichtbefolgung kann mögliche Verletzungen oder schlechte Leistung verursachen und Ihre Garantie ungültig machen.

WARNUNG

Service und Wartung des Gerätes erfordert besonderen Sorgfalt und Kenntnisstand und sollte nur durch qualifiziertes Personal durchgeführt werden. Lassen Sie das Gerät nur von einem autorisierten Servicecenter warten. Beim Service sollten Sie nur originale Ersatzteile benutzen.

- Schalten Sie das Gerät vor der Wartung bzw. der Reinigung aus und entfernen Sie den Akku.
- Sie dürfen die in dieser Bedienungsanleitung beschriebenen Einstellungen und Reparaturen durchführen. Kontaktieren Sie Ihren autorisierten Kundendienst für andere Reparaturen.
- Überprüfen Sie Bolzen, Muttern und Schrauben in regelmäßigen Abständen, ob sie alle fest angezogen sind, um somit sicherzustellen, dass das Produkt



in einem sicheren Zustand ist. Jedes beschädigte Teil muss durch den autorisierten Kundendienst ordnungsgemäß repariert oder ausgetauscht werden.

- Bringen Sie das Produkt einem autorisierten Kundendienst zurück, um beschädigte oder unleserliche Aufkleber zu ersetzen.

RESTRISIKEN

Sogar wenn das Produkt wie vorgeschrieben benutzt wird, ist es unmöglich ein gewisses Restrisiko vollständig zu beseitigen. Die folgenden Gefahren können bei der Benutzung entstehen, und der Benutzer sollte besonders auf folgende Punkte achten:

- Durch Vibrationen verursachte Verletzungen.
 - Halten Sie das Produkt an den dafür vorgesehenen Griffen und schränken Sie die Arbeitszeit und Belastung ein.
- Lärm kann zu Gehörschaden führen.
 - Tragen Sie einen Gehörschutz und schränken Sie die Belastung ein.
- Durch geschleuderte Objekte verursachte Verletzungen
 - Tragen Sie immer einen Augenschutz.

RISIKOVERRINGERUNG

Vibrationen von in der Hand gehaltenen Werkzeugen können bei einigen Personen zu einem Zustand, der Raynaud-Syndrom genannt wird, führen. Symptome sind u.a. Kribbeln, Taubheitsgefühl und episodische Weißfärbung der Finger und treten normalerweise bei Kälte auf. Man geht davon aus, dass ererbte Faktoren, Kälte und Feuchtigkeit, Essgewohnheiten, Rauchen und Arbeitsweise zur Entwicklung dieser Symptome beitragen. Der Anwender kann Maßnahmen ergreifen, um die Auswirkungen der Vibrationen möglicherweise zu verringern:

- Halten Sie den Körper bei Kälte warm. Tragen Sie beim Betrieb des Produkts Handschuhe, um Hände und Handgelenke warm zu halten. Berichten zu Folge ist kaltes Wetter ein wesentlicher Faktor, der zum Raynaud Syndrom beiträgt.
- Betätigen Sie sich nach jedem Einsatz körperlich, um den Blutkreislauf zu steigern.
- Machen Sie regelmäßig Pausen. Beschränken Sie die Beanspruchung pro Tag.

Sollten bei Ihnen Symptome dieses Zustands auftreten, stellen Sie unverzüglich den Betrieb ein und suchen Sie in Hinsicht auf die Symptome einen Arzt auf.

⚠️ WARNUNG

Verletzungen können durch lange Benutzung eines Werkzeugs entstehen oder verschlimmert werden. Machen Sie regelmäßig Pause, wenn Sie ein Werkzeug für lange Zeit benutzen.

MACHEN SIE SICH MIT IHREM PRODUKT VERTRAUT

Siehe Seite 138.

Teile

1. Verriegelung Ein-/Ausschalter
2. Ein-/Ausschalter
3. Drahtbürste
4. Rad
5. Baugruppe Universalscheuerbürste
6. Universalbürste
7. Ladegerät
8. Akkuverschluss
9. Akku
10. Taste zum Wechseln des Zubehörs
11. Teleskopmanschette
12. Verriegelungsknopf Griff
13. Griff

SYMBOLS AUF DEM PRODUKT



Lesen und verstehen Sie alle Anweisungen, bevor Sie das Produkt benutzen, befolgen Sie alle Warnungen und Sicherheitsanweisungen.



Tragen Sie einen Augenschutz.



Tragen Sie einen Gehörschutz.



Tragen Sie Schutzhandschuhe.



Tragen Sie rutschfeste Sicherheitsschuhe, wenn Sie dieses Produkt benutzen.



Nicht Regen oder feuchten Bedingungen aussetzen.



Achten Sie auf geschleuderte oder fliegende Objekte. Halten Sie unbeteiligte Personen (insbesondere Kinder und Tiere) mindestens 15m vom Arbeitsbereich fern.



Halten Sie die Hände fern



Elektrische Geräte sollten nicht mit dem übrigen Müll entsorgt werden. Bitte entsorgen Sie diese an den entsprechenden Entsorgungsstellen. Wenden Sie sich an die örtliche Behörde oder Ihren Händler, um Auskunft über die Entsorgung zu erhalten.



Dieses Gerät entspricht allen gesetzlichen Normen des Landes der Europäischen Union, in dem es gekauft wurde.






EurAsian Konformitätszeichen



Ukrainisches Prüfzeichen

Mit den folgenden Symbolen wird die Bedeutung der verschiedenen Risikostufen, die mit dem Produkt einhergehen, dargestellt.

-  **GEFAHR** Weist auf eine unmittelbare gefährliche Situation hin, die, falls nicht vermieden, zu Tod oder ernsthafter Verletzung führen kann.
-  **WARNUNG** Weist auf eine mögliche gefährliche Situation hin, die, falls nicht vermieden, zu Tod oder ernsthafter Verletzung führen kann.
-  **VORSICHT** Weist auf eine mögliche gefährliche Situation hin, die, falls nicht vermieden, zu einer leichten oder mittleren Verletzung führen kann.
- VORSICHT** (Ohne Sicherheitswarnsymbol) Bezeichnet eine Situation die zu Sachbeschädigungen führen kann.

SYMBOLE IN DIESER BEDIENUNGSANLEITUNG



Teile oder Zubehör getrennt erhältlich



HINWEIS



WARNUNG

- EN
- FR
- DE**
- ES
- IT
- NL
- PT
- DA
- SV
- FI
- NO
- RU
- PL
- CS
- HU
- RO
- LV
- LT
- ET
- HR
- SL
- SK
- BG
- UK
- TR

La seguridad, el rendimiento y la fiabilidad han sido las máximas prioridades a la hora de diseñar este limpiador de patios.

USO PREVISTO

El limpiador de patios está concebido para que lo usen únicamente adultos que hayan leído y comprendido las instrucciones y advertencias de este manual, y que puedan considerarse responsables de sus acciones.

El producto solo está pensado para utilizarse al aire libre en una zona bien ventilada. El producto se utiliza para limpiar superficies planas, juntas y superficies intermedias en espacios exteriores, incluidas losetas de piedra, azulejos, piedras de pavimento y superficies de madera. Este producto no es adecuado para su uso en superficies verticales, como paredes de casas, ni para trabajos en altura, como techos.

No lo use para ninguna otra finalidad.

INSTRUCCIONES GENERALES DE SEGURIDAD DE LA HERRAMIENTA

⚠ ADVERTENCIA

Lea atentamente todas las advertencias, instrucciones y especificaciones suministradas con la herramienta, y consulte las ilustraciones. No seguir las instrucciones que se detallan a continuación podría provocar una descarga eléctrica, fuego y/o lesiones graves.

Guarde estas advertencias e instrucciones para poder consultarlas posteriormente.

El término "herramienta eléctrica" que se emplea en las siguientes instrucciones de seguridad designa tanto las herramientas eléctricas que se conectan a la red de alimentación eléctrica como las herramientas sin cable.

SEGURIDAD DEL LUGAR DE TRABAJO

- El lugar de trabajo debe estar limpio y bien iluminado. Las zonas oscuras o poco despejadas pueden provocar accidentes.
- No utilice herramientas eléctricas en presencia de elementos explosivos, por ejemplo en lugares donde haya líquidos, gases o polvo inflamables. Las chispas generadas por las herramientas eléctricas pueden producir un incendio o provocar una explosión.
- Cuando se utiliza una máquina eléctrica, los niños, las demás personas y los animales deben permanecer lejos de la zona de trabajo. De lo contrario, podrían distraerle y hacerle perder el control de la herramienta.

SEGURIDAD ELÉCTRICA

- El enchufe de la herramienta eléctrica debe corresponder a la toma de corriente. No modifique ni haga ninguna operación de mantenimiento en el enchufe. No utilice adaptadores con herramientas eléctricas con conexión a tierra o a masa. De este modo, evitará el riesgo de recibir una descarga eléctrica.

- Evite todo contacto con superficies que tengan conexión a tierra o a masa (es decir, tubos, radiadores, cocinas, neveras, etc.). El riesgo de recibir una descarga eléctrica aumenta si una parte de su cuerpo está en contacto con elementos que tienen conexión a tierra o a masa.
- No exponga las herramientas eléctricas a la lluvia o a la humedad. El riesgo de recibir una descarga eléctrica aumenta si entra agua en la herramienta eléctrica.
- Compruebe que el cable de alimentación está en buen estado. No sostenga la herramienta por el cable de alimentación ni tire del cable para desenchufarla. Mantenga el cable de alimentación lejos de toda fuente de calor, aceite, objetos con bordes cortantes y elementos en movimiento. El riesgo de recibir una descarga eléctrica aumenta si el cable de alimentación está dañado o anudado.
- Cuando trabaje al aire libre, utilice exclusivamente alargaderas diseñadas para tal fin. De este modo, evitará el riesgo de recibir una descarga eléctrica.
- Si se ve obligado a utilizar la herramienta en un ambiente húmedo, enchúfela a una toma de corriente protegida por un dispositivo diferencial residual (DDR). El uso de un dispositivo DDR reduce los riesgos de descargas eléctricas.

SEGURIDAD PERSONAL

- Preste mucha atención a lo que está haciendo y use su sentido común al trabajar con una herramienta eléctrica. No utilice la herramienta eléctrica cuando esté cansado o bajo los efectos del alcohol o de drogas, o si toma medicamentos. No olvide nunca que basta con un segundo de inatención para herirse gravemente.
- Utilice dispositivos de protección. Protéjase siempre la vista. De acuerdo a las condiciones de trabajo, lleve también una mascarilla antipolvo, calzado antideslizante, un casco o elementos de protección auditiva para evitar heridas graves.
- Evite que la máquina se ponga en marcha accidentalmente. Compruebe que el interruptor está en la posición "apagado" antes de enchufar la herramienta a una toma de corriente o colocar la batería, y antes de coger o transportar la herramienta. Para evitar el riesgo de accidentes, no desplace la herramienta con el dedo en el gatillo y no la enchufe ni coloque la batería si el interruptor está en la posición "funcionamiento".
- Retire las llaves de apriete antes de poner en marcha la herramienta. Si deja una llave de apriete en uno de los elementos móviles de la herramienta, se puede producir un accidente con heridas corporales graves.
- Mantenga siempre el equilibrio. Afírmese bien en sus piernas y no extienda demasiado el brazo. Una posición de trabajo estable permite controlar mejor la herramienta en caso de producirse algún imprevisto.
- Utilice ropa adecuada. No utilice prendas amplias ni joyas. No acerque el pelo ni la ropa a las piezas móviles. Las prendas amplias, las joyas y el cabello largo pueden engancharse en los elementos que están en movimiento.
- Si la herramienta se suministra con un dispositivo



aspirador de polvo, cerci6rese de que est6 correctamente instalado y que se utiliza como corresponde. De este modo, reducir6 el riesgo de accidentes.

- No permita que la familiaridad adquirida por el uso frecuente de las herramientas le haga bajar la guardia o ignorar los principios de seguridad de las herramientas. Una negligencia podr6 provocar graves lesiones en una fracci3n de segundo.

UTILIZACI3N Y MANTENIMIENTO DE LAS HERRAMIENTAS EL6CTRICAS

- No fuerce la herramienta. Utilice la herramienta que mejor se adecue al trabajo que desee realizar. Tendr6 un rendimiento m6s eficaz y trabajar6 con m6s seguridad si la utiliza al r6gimen para el que ha sido dise1ada.
- No utilice una herramienta el6ctrica si el interruptor no funciona correctamente. Una herramienta que no se puede poner en marcha y apagar correctamente es peligrosa y debe repararse obligatoriamente.
- Desconecte el enchufe de la fuente de alimentaci3n y/o extraiga el conjunto de bater6as, si se puede sacar, de la herramienta el6ctrica antes de realizar ning6n ajuste, de cambiar accesorios o de almacenar las herramientas el6ctricas. De este modo, reducir6 el riesgo de que la herramienta se ponga en marcha inadvertidamente.
- Guarde las herramientas el6ctricas fuera del alcance de los ni1os. No deje que esta herramienta sea utilizada por personas que desconozcan su funcionamiento o las instrucciones de seguridad indicadas en este manual de instrucciones. Las herramientas el6ctricas son peligrosas cuando est6n en manos de personas inexpertas.
- Conserve las herramientas el6ctricas y los accesorios. Controle la alineaci3n de las piezas m3viles. Cerci6rese de que ninguna pieza est6 rota. Controle el montaje y todos los elementos que puedan afectar el funcionamiento de la herramienta. Si una pieza se encuentra da1ada, h6gala reparar antes de utilizar la herramienta. Muchos accidentes se producen porque no se ha realizado un mantenimiento adecuado de las herramientas.
- Mantenga sus herramientas limpias y bien afiladas. Si la herramienta de corte est6 bien afilada y limpia, es menos probable que se bloquee y podr6 controlarla mejor.
- Utilice la herramienta el6ctrica, los accesorios, las puntas de atornillar, etc. siguiendo las presentes instrucciones de uso, teniendo en cuenta las caracter6sticas de uso y el trabajo que deba realizar. Para evitar situaciones peligrosas, utilice la herramienta el6ctrica 6nicamente para las tareas para las que ha sido dise1ada.
- Mantenga las superficies de agarre y los manillares secos, limpios y sin aceite ni grasa. Las superficies de agarre y los manillares escurridizos no permiten una manipulaci3n y control seguros de la herramienta en situaciones inesperadas.

INSTRUCCIONES DE SEGURIDAD ESPEC6FICAS PARA LAS HERRAMIENTAS SIN CABLE

- Cargue la bater6a exclusivamente con el cargador recomendado por el fabricante. Un cargador adaptado a determinada clase de bater6a puede producir un incendio si se emplea con una bater6a diferente.
- S3lo se debe emplear una clase de bater6a espec6fica con una herramienta sin cable. El uso de cualquier otra bater6a puede provocar un incendio.
- Cuando no utilice la bater6a, mant6ngala alejada de objetos met6licos como clips, monedas, llaves, tornillos, clavos o cualquier otro objeto que podr6a conectar los contactos entre s6. Un cortocircuito en los contactos de la bater6a puede provocar quemaduras o incendios.
- Evite todo contacto con el l6quido de la bater6a en caso de p6rdida debida a una utilizaci3n incorrecta. Si llegara a producirse, enjuague inmediatamente con agua la zona afectada. Si sus ojos se ven afectados, consulte a un m6dico. El l6quido proyectado de una bater6a puede provocar irritaciones o quemaduras.
- No utilice una bater6a o una herramienta si est6 da1ada o modificada. Las bater6as da1adas o modificadas pueden presentar un comportamiento impredecible que resulte en fuego, explosi3n o riesgo de lesi3n.
- No exponga la bater6a o herramienta al fuego ni a una temperatura excesiva. La exposici3n al fuego o a una temperatura superior a los 130°C puede provocar una explosi3n.
- Siga todas las instrucciones de carga y no cargue la bater6a o la herramienta fuera del rango de temperatura especificado en las instrucciones. Una carga inadecuada o a una temperatura fuera del rango especificado puede da1ar la bater6a y aumentar el riesgo de incendio.

MANTENIMIENTO

- Las reparaciones deben quedar en manos de un t6cnico cualificado, utilizando 6nicamente piezas de recambio originales. De este modo, podr6 utilizar su herramienta el6ctrica sin peligro.
- Nunca repare bater6as da1adas. La reparaci3n de bater6as solo deber6a realizarla el fabricante o proveedores de servicio autorizados.

ALERTA DE SEGURIDAD GENERAL

⚠ ADVERTENCIA

Lea todas las instrucciones de advertencias de seguridad, ilustraciones y especificaciones proporcionadas con el producto. El incumplimiento de las advertencias e instrucciones puede provocar descargas el6ctricas, incendios y/o lesiones graves.



⚠ ADVERTENCIA

Al utilizar el producto, deben seguirse las normas de seguridad. Por su propia seguridad y la de los que le rodean, lea estas instrucciones antes de utilizar el producto. Guarde las instrucciones para usarlas en el futuro.

⚠ ADVERTENCIA

Este producto no debe ser utilizado por niños o personas con discapacidad física, mental o sensorial. Los niños deben estar adecuadamente supervisados para asegurarse de que no juegan con el producto.

⚠ ADVERTENCIA

Algunas regiones tienen normas que limitan el uso del producto. Consulte con su autoridad local para obtener información.

APRENDIZAJE

- Lea las instrucciones cuidadosamente. Familiarícese con los mandos y con la correcta utilización del aparato.
- Nunca permita que niños o personas no familiarizadas con las instrucciones utilicen este producto. Las regulaciones locales pueden restringir la edad del operario.
- Mantenga a los transeúntes, a los niños y a los animales a 15 m de distancia de la zona de operación. Apague el aparato si alguien entra en el área.
- No utilice el producto cuando esté cansado, enfermo o bajo la influencia del alcohol, las drogas o medicamentos.
- Tenga presente que el operario o usuario es responsable de los accidentes o riesgos que le puedan ocurrir a otras personas o a su propiedad.

PREPARACIÓN

- Use gafas de protección total para los ojos y oídos al utilizar este producto. Si trabaja en un área donde existe un riesgo de caída de objetos, deberá utilizar casco.
- La protección auditiva puede restringir la capacidad del operador de oír los sonidos de alarma. Hay que tener mucha atención a los peligros potenciales dentro y alrededor del área de trabajo.
- Use guantes, botas y pantalones resistentes. No utilice ropa ancha, pantalones cortos, joyas ni lo utilice con los pies descalzos.
- Recoja el cabello largo para que quede por encima del nivel de los hombros y evitar así que se enmarañe en cualquier pieza móvil.
- Antes de su uso y después de algún golpe, compruebe que no hay piezas dañadas. Los interruptores defectuosos o cualquier otra pieza dañada o gastada deben ser sustituidos o reparados adecuadamente por un establecimiento de servicio autorizado.
- Asegúrese de que el accesorio de limpieza esté bien

instalado y fijado de forma segura.

- Nunca use el producto excepto si todas las protecciones, deflectores y mangos están unidos de forma correcta y segura.
- Considere el ambiente en donde está trabajando. Mantenga la zona de trabajo libre de cables, palos, piedras y suciedad que, si son golpeados por la cuchilla, puedan convertirse en objetos lanzados.

USO Y CUIDADO DE LA HERRAMIENTA

- Recargue la unidad solamente con el cargador especificado por el fabricante. Podría haber un riesgo de incendio cuando se utilice un cargador con una batería para la que no está diseñado.
- Utilice sólo herramientas eléctricas específicamente diseñadas para ellos. Utilizar cualquier otro tipo de baterías puede causar lesiones o un riesgo de incendio.
- Cuando la batería no está en uso, manténgala alejada de otros objetos metálicos como clips, monedas, llaves, clavos, tornillos u otros objetos metálicos pequeños que puedan crear una conexión desde una terminal a otra. Causar un cortocircuito en los terminales de la batería puede causar quemaduras o un incendio.
- En condiciones abusivas, podría salir expulsado líquido de la batería, por lo que debería evitar el contacto con éste. Si se produce un contacto accidental, enjuáguese las manos con agua. Si el líquido entra en contacto con los ojos, acuda inmediatamente al médico. Si el líquido es expulsado de la batería y entra en contacto con él, podría causar irritación o quemaduras.

ADVERTENCIAS DE SEGURIDAD DEL LIMPIADOR DE PATIOS INALÁMBRICO

- Nunca deje que utilicen este aparato niños, personas con capacidad física, sensorial o mental reducida, personas sin experiencia ni conocimientos ni personas que no estén familiarizadas con estas instrucciones.
- Use el producto de día o bajo luz artificial bien iluminada.
- Mantenga los pies bien apoyados y en equilibrio en todo momento, y asegúrese de mantenerse bien apoyado en lugares situados en pendiente.
- No camine hacia atrás mientras use este producto.
- Camine, nunca corra.
- Mantenga el accesorio del cabezal por debajo de la cintura.
- No utilice el producto con las cubiertas dañadas o sin tenerlas colocadas.
- Mantenga las manos y los pies alejados de los sistemas de limpieza en todo momento, en especial, durante el encendido del motor.
- No utilice el producto con las cubiertas dañadas o sin tenerlas colocadas.
- Apague la unidad y retire la batería. Asegúrese de que todas las partes móviles se han detenido por completo:
 - antes del mantenimiento
 - antes de dejar el producto sin vigilancia
 - antes de limpiar una obstrucción
 - antes de inspeccionar, limpiar o trabajar con el



producto

- antes de cambiar los accesorios
 - después de golpear un objeto extraño
 - siempre que se lleve a cabo el mantenimiento
 - si el producto empieza a vibrar de forma anormal
- Use gafas de protección total para los ojos y oídos al utilizar este producto. Si trabaja en un área donde existe un riesgo de caída de objetos, deberá utilizar casco.
 - La protección auditiva puede restringir la capacidad del operador de oír los sonidos de alarma. Hay que tener mucha atención a los peligros potenciales dentro y alrededor del área de trabajo.
 - Recoja el cabello largo para que quede por encima del nivel de los hombros y evitar así que se enmarañe en cualquier pieza móvil.
 - Asegúrese siempre de que las aberturas de ventilación estén libres de residuos.
 - Antes de su uso y después de algún golpe, compruebe que no hay piezas dañadas. Los interruptores defectuosos o cualquier otra pieza dañada deben ser sustituidos o reparados adecuadamente por un establecimiento de servicio autorizado.
 - No modifique, de ninguna manera, la máquina, ya que puede aumentar el riesgo de lesionarse usted o de lesionar a los demás.
 - Apague inmediatamente la unidad y retire la batería en caso de accidente o avería. No vuelva a utilizar el producto hasta que un servicio de mantenimiento autorizado lo haya inspeccionado completamente.
 - Pruebe siempre el producto sobre el material que desee limpiar antes de iniciar el trabajo real.

ADVERTENCIAS DE SEGURIDAD DE LA BATERÍA ADICIONAL

⚠ ADVERTENCIA

Para reducir el riesgo de incendio, lesión personales y daños al producto debido a un cortocircuito, no sumerja nunca la herramienta, el paquete de baterías o el cargador en líquido ni permita que fluya un fluido dentro de ellos. Los fluidos corrosivos o conductivos, como el agua de mar, ciertos productos químicos industriales y blanqueadores o lejías que contienen, etc., Pueden causar un cortocircuito.

TRANSPORTE Y ALMACENAMIENTO

- Detenga el producto, retire la batería y deje que ambos se enfríen antes de guardarlos o transportarlos.
- Limpie todo el material extraño que pueda permanecer en el producto.
- No guarde ni transporte el producto con las baterías puestas. Extráigalas y guárdelas por separado. Guarde en una zona seca y bien ventilada, a la que no puedan acceder los niños. Evite el contacto con agentes corrosivos tales como productos químicos de jardinería o sales descongelantes. No almacenar al aire libre.

- Mantenga el aparato lejos del alcance de los niños.
- Para transportar el producto, sujételo de modo que no se mueva ni se caiga para evitar lesiones personales o daños al producto.

TRANSPORTE DE BATERÍAS DE LITIO

Transporte de baterías de acuerdo con las disposiciones y reglamentos nacionales y locales. Cumpla todos los requisitos especiales relativos al embalaje y etiquetado cuando el transporte de baterías se lleve a cabo por un tercero.

Asegúrese de que, durante el transporte, las baterías no entran en contacto con otras baterías o materiales conductores protegiendo los conectores expuestos con tapones o tapas aislantes de material no conductor. No transporte baterías que tengan grietas o fugas. Consulte a la empresa de transporte para obtener más asesoramiento.

MANTENIMIENTO

⚠ ADVERTENCIA

Utilice sólo piezas y accesorios de recambio originales del fabricante. Si no lo hace podría ocurrir un mal funcionamiento, podrían producirse daños o podría quedar anulada la garantía.

⚠ ADVERTENCIA

Las reparaciones requieren tener mucho cuidado y conocimiento y sólo debe realizarse por un técnico de servicio calificado. Solicite la reparación del producto únicamente en un centro de servicio autorizado. Utilice solo recambios originales del fabricante para las operaciones de mantenimiento.

- Apague la unidad y retire la batería antes de llevar a cabo cualquier trabajo de mantenimiento o limpieza.
- Usted puede realizar los ajustes y reparaciones descritos en este manual del usuario. Para otro tipo de reparaciones póngase en contacto con un agente de servicios autorizado.
- Verifique a intervalos frecuentes si todas las tuercas, pernos y tornillos están apretados apropiadamente para asegurarse de que el producto esté en buenas condiciones de trabajo. Cualquier pieza dañada debe ser sustituida o reparada adecuadamente por un centro de servicio autorizado.
- Lleve el aparato a un centro de servicios autorizado para sustituir las etiquetas dañadas o ilegibles.

RIESGOS RESIDUALES:

Incluso cuando se utiliza el producto según las instrucciones, sigue siendo imposible eliminar por completo ciertos factores de riesgo residuales. Pueden surgir los siguientes riesgos durante el uso y el operador debe prestar especial atención para evitar lo siguiente:

- Lesiones por vibración
 - Sujete el producto por los mangos destinados al efecto y limite el tiempo de funcionamiento y de



exposición.

- Lesiones a causa del ruido
 - Use protección para los oídos y limite el tiempo de exposición
- Lesiones provocadas por restos despedidos.
 - Use siempre protección para los ojos.

REDUCCIÓN DEL RIESGO

Se ha informado de que las vibraciones de las herramientas de mano puede contribuir a una condición llamada síndrome de Raynaud en ciertos individuos. Los síntomas pueden incluir hormigueo, entorpecimiento y decoloración de los dedos, generalmente aparentes cuando tiene lugar una exposición al frío. Se considera que los factores hereditarios, exposición al frío y a la humedad, dieta, tabaquismo y prácticas de trabajo contribuyen al desarrollo de estos síntomas. Existen medidas que pueden ser tomadas por el operador para reducir los efectos de vibración:

- Mantenga su cuerpo caliente durante el tiempo frío. Al manipular el producto, utilice guantes para mantener las manos y las muñecas calientes. Hay informes que indican que el tiempo frío es un gran factor que contribuye al síndrome de Raynaud.
- Después de cada período de funcionamiento, realice ejercicios para aumentar la circulación sanguínea.
- Haga pausas de trabajo frecuentes. Limite la cantidad de exposición por día.

Si siente alguno de los síntomas de esta enfermedad, interrumpa inmediatamente el uso y consulte a su médico estos síntomas.

⚠ ADVERTENCIA

El uso prolongado de una herramienta puede causar o agravar lesiones. Al utilizar cualquier herramienta durante períodos prolongados asegúrese de tomar descansos regulares.

CONOZCA SU PRODUCTO

Véase la página 138.

Piezas

1. Botón de bloqueo
2. Gatillo
3. Cepillo metálico
4. Rueda
5. Montaje del cepillo de rodillo
6. Cepillo de rodillo
7. Cargador
8. Cierre de la batería
9. Batería
10. Botón para el cambio de accesorios
11. Cierre telescópico
12. Pomo
13. Mango

SÍMBOLOS EN EL PRODUCTO



Lea y comprenda todas las instrucciones antes de manipular el producto, respete las advertencias y las instrucciones de seguridad.



Utilice protección ocular



Use protección auditiva



Use guantes de protección



Utilice calzado de seguridad antideslizante cuando utilice este producto.



No la exponga a la lluvia o a lugares húmedos.



Tenga cuidado con los objetos volátiles o lanzados. Mantenga a todos los espectadores, especialmente a los niños y las mascotas, por lo menos a 15 metros de la zona de trabajo.



Mantenga las manos alejadas de la zona de trabajo



Los productos eléctricos de desperdicio no deben desecharse con desperdicios caseros. Por favor recíclelos donde existan dichas instalaciones. Compruebe con su autoridad local o minorista para reciclar.



Esta herramienta responde a todas las normas reglamentarias del país de la UE donde se ha comprado.



Certificado EAC de conformidad



Marca de conformidad ucraniana

Los siguientes símbolos y sus significados pretenden explicar los niveles de riesgo asociados a este producto.



Indica una situación potencialmente peligrosa que, de no evitarse, puede ocasionar la muerte o heridas de gravedad.



Indica una situación peligrosa que, de no evitarse, puede ocasionar la muerte o heridas de gravedad.



Indica una situación potencialmente peligrosa que, de no evitarse, puede ocasionar heridas leves.

ADVERTENCIA (Sin símbolo de alerta de seguridad)
Indica una situación que puede causar daños en las cosas.

SÍMBOLOS EN ESTE MANUAL



Las piezas o accesorios se venden por separado



Nota



Advertencia



Durante la progettazione di questo pulitore per cortile senza fili è stata data la massima priorità a sicurezza, prestazioni e affidabilità.

UTILIZZO RACCOMANDATO

Il pulitore per cortile deve essere utilizzato solo da persone adulte, che abbiano letto e compreso le istruzioni e le avvertenze contenute in questo manuale, e che siano responsabili delle proprie azioni.

Prodotto adatto solo per essere utilizzato all'esterno in aree ben ventilate. Il prodotto è utilizzato per pulire superfici piatte, giunti e superfici esterne intermedie, incluse lastre di pietra, piastrelle, pietre da pavimentazione e superfici in legno. Il prodotto non è adatto per l'uso verticale come muri di case e strutture sopraelevate come soffitti.

Non utilizzare per altri scopi.

INORME DI SICUREZZA GENERALI

⚠ AVVERTENZA

Leggere attentamente tutte le avvertenze, le istruzioni e le specifiche fornite con l'apparecchio e fare riferimento alle illustrazioni. La mancata osservanza delle istruzioni elencate sotto può causare folgorazione, incendio e/o lesioni gravi.

Conservare le presenti avvertenze ed istruzioni per poterle consultare in seguito.

Il termine "apparecchio elettrico" utilizzato nelle norme di sicurezza seguenti indica sia gli apparecchi elettrici da collegare alla rete di alimentazione sia gli apparecchi elettrici a batteria.

SICUREZZA DELL'AMBIENTE DI LAVORO

- **Mantenere pulito e ben illuminato l'ambiente di lavoro.** Aree non ordinate o non illuminate possono causare incidenti.
- **Non utilizzare apparecchi elettrici in un ambiente in cui vi siano sostanze esplosive, ad esempio in prossimità di liquidi, di gas o di polveri infiammabili.** Le scintille provocate dagli apparecchi elettrici possono appiccare il fuoco o farle esplodere.
- **Quando si utilizza un apparecchio elettrico, tenere bambini, estranei ed animali domestici lontani dall'area di lavoro.** Potrebbero infatti essere causa di distrazione e fare perdere il controllo dell'apparecchio.

SICUREZZA ELETTRICA

- **La spina dell'apparecchio elettrico deve essere adeguata alla presa in cui verrà inserita. Non intervenire mai sulla spina. Non utilizzare mai adattatori con apparecchi elettrici messi a terra o a massa.** In questo modo è possibile evitare i rischi di scosse elettriche.
- **Evitare eventuali contatti con le superfici messe a terra o a massa (vale a dire tubi, radiatori, cucine, frigoriferi, ecc.).** I rischi di scosse elettriche aumentano se una parte del proprio corpo è a contatto con superfici messe a terra o a massa.
- **Non esporre l'apparecchio elettrico alla pioggia o all'umidità.** Infatti, i rischi di scosse elettriche

aumentano se all'interno di un apparecchio elettrico vi è un'infiltrazione di acqua.

- **Controllare che il cavo d'alimentazione sia in buono stato. Non tenere l'apparecchio per il cavo d'alimentazione e non tirare mai il cavo per scollegarlo dall'alimentazione elettrica. Mantenere il cavo d'alimentazione lontano da qualsiasi fonte di calore, olio, oggetti taglienti ed organi in movimento.** I rischi di scosse elettriche aumentano se il cavo è danneggiato o aggrovigliato.
- **Qualora si lavori all'esterno, utilizzare solo prolunghe concepite per un tale impiego.** In questo modo è possibile evitare i rischi di scosse elettriche.
- **Se non è possibile evitare di utilizzare l'apparecchio in un ambiente umido, collegarsi ad un impianto di alimentazione elettrica protetto da un interruttore differenziale (RCD).** L'utilizzo di un interruttore RCD limita i rischi di scosse elettriche.

SICUREZZA PERSONALE

- **Durante l'utilizzo di un apparecchio elettrico, rimanere vigili, prestare molta attenzione a ciò che si fa e agire con buon senso. Non utilizzare l'apparecchio elettrico quando si è stanchi, sotto l'effetto di alcol o di droghe oppure se si stanno assumendo medicinali.** Non dimenticare mai che basta un secondo di distrazione per ferirsi in modo grave.
- **Utilizzare dispositivi di protezione. Proteggere sempre gli occhi.** A seconda delle situazioni, indossare anche una maschera antipolvere, calzature antiscivolo, un casco o protezioni uditive, onde evitare i rischi di lesioni fisiche gravi.
- **Evitare qualunque avvio accidentale. Assicurarsi che l'interruttore sia in posizione di "arresto" prima di collegare l'apparecchio ad una presa o di inserire la batteria, nonché quando si intende afferrare o trasportare l'apparecchio.** Onde evitare i rischi di incidenti, non spostare l'apparecchio mantenendo il dito sul grilletto e non collegarlo all'alimentazione elettrica né inserire la batteria se l'interruttore si trova in posizione di "marcia".
- **Prima di avviare l'apparecchio, togliere le chiavi di serraggio.** Una chiave di serraggio che rimane inserita in un elemento mobile dell'apparecchio può provocare gravi lesioni fisiche.
- **Mantenersi sempre in equilibrio. Rimanere bene in equilibrio sulle gambe e non distendere troppo lontano le braccia.** Una posizione di lavoro stabile consente di avere un maggiore controllo dell'apparecchio nel caso in cui si verifichi una situazione improvvisa.
- **Indossare un abbigliamento adatto. Non indossare indumenti ampi o gioielli. Tenere capelli e indumenti lontani dalle parti in movimento.** Gli abiti ampi, i gioielli e i capelli lunghi potrebbero rimanere impigliati nelle parti in movimento dell'apparecchio.
- **Nel caso in cui l'apparecchio abbia in dotazione un dispositivo di aspirazione della polvere, assicurarsi che quest'ultimo venga installato ed utilizzato in modo corretto.** In questo modo è possibile evitare i rischi di incidenti.
- **Non lasciare che la familiarità acquisita con l'uso frequente degli utensili sfoci in un'eccessiva**



sicurezza di sé e nell'ignoranza dei principi di sicurezza dell'utensile. Un utilizzo disattento può causare lesioni gravi in una frazione di secondo.

UTILIZZO E MANUTENZIONE DEGLI APPARECCHI ELETTRICI

- **Non forzare l'apparecchio. Utilizzare l'apparecchio adeguato al lavoro da effettuare.** L'apparecchio offrirà migliori prestazioni e sarà più sicuro se utilizzato al regime per il quale è stato concepito.
- **Non utilizzare un apparecchio elettrico se l'interruttore non ne consente l'avvio e l'arresto.** Un apparecchio che non può essere acceso e spento correttamente è pericoloso e pertanto deve essere assolutamente riparato.
- **Prima di effettuare regolazioni, di cambiare gli accessori o di riporre l'utensile elettrico scollegare la spina dalla presa di corrente e/o rimuovere il pacco batteria, se staccabile, dall'utensile.** In questo modo è possibile ridurre i rischi di avvio involontario dell'apparecchio.
- **Riporre gli apparecchi elettrici fuori dalla portata dei bambini. Non consentire l'utilizzo dell'apparecchio a persone che non lo conoscono o che non sono venute a conoscenza delle presenti norme di sicurezza.** Gli apparecchi elettrici diventano strumenti pericolosi nelle mani di persone che non sanno utilizzarli.
- **Eseguire la manutenzione degli utensili elettrici e relativi accessori. Controllare l'allineamento dei componenti mobili. Verificare che non vi siano componenti rotti. Controllare il montaggio ed altri eventuali fattori importanti per il corretto funzionamento dell'apparecchio.** In caso di componenti danneggiati, fare riparare l'apparecchio prima di utilizzarlo. Molti incidenti sono dovuti ad una cattiva manutenzione degli apparecchi.
- **Mantenere gli apparecchi sempre puliti ed affilati.** Se un utensile di taglio viene mantenuto pulito e adeguatamente affilato, le probabilità che si blocchi saranno inferiori e l'utilizzatore potrà conservare un maggiore controllo dell'apparecchio.
- **Utilizzare l'apparecchio elettrico, i relativi accessori, gli inserti, ecc. attenendosi alle presenti indicazioni per l'uso, tenendo conto delle condizioni di utilizzo e delle applicazioni previste.** Onde evitare situazioni di pericolo, utilizzare l'apparecchio elettrico solo per i lavori per cui è stato concepito.
- **Tenere maniglie e superfici delle impugnature asciutte, pulite e prive di olii e grassi.** Maniglie e impugnature scivolose non consentono l'utilizzo e il controllo in sicurezza dell'utensile nelle situazioni impreviste.

NORME DI SICUREZZA SPECIFICHE PER GLI APPARECCHI A BATTERIA

- **Per ricaricare la batteria dell'apparecchio, utilizzare esclusivamente il caricabatteria raccomandato dal produttore.** Un caricabatteria adatto ad un certo tipo di batteria potrebbe provocare un incendio se utilizzato con un altro tipo di batteria.
- **Con un apparecchio a batteria deve essere utilizzato esclusivamente un tipo di batteria specifico.** L'impiego di una batteria non conforme può

provocare un incendio.

- **Quando la batteria non viene utilizzata, conservarla a distanza da oggetti metallici, come ad esempio fermagli, monete, chiavi, viti, chiodi o qualunque altro oggetto che potrebbe fare da ponte tra i due poli.** La messa in cortocircuito dei poli della batteria può provocare ustioni o incendi.
- **Evitare qualunque contatto con il liquido della batteria in caso di fuoriuscite dovute ad un utilizzo improprio. Nel caso in cui si verifichi questo tipo di situazione, sciacquare abbondantemente con acqua pulita la zona interessata.** In caso di contatto con gli occhi, consultare un medico. Il liquido fuoriuscito dalla batteria può provocare irritazioni o ustioni.
- **Non usare un pacco batteria o un utensile che sia stato danneggiato o modificato.** Le batterie danneggiate o modificate possono presentare un comportamento imprevedibile, risultante in incendi, esplosioni o rischio di lesioni.
- **Non esporre un pacco batteria o utensile al fuoco o a temperature eccessive.** L'esposizione al fuoco o a temperature superiori a 130°C può causare esplosioni.
- **Seguire tutte le istruzioni per il caricamento e non caricare il pacco batteria o l'utensile al di fuori dell'intervallo di temperatura specificato nelle istruzioni.** Un caricamento errato o svolto a temperature al di fuori dell'intervallo specificato può danneggiare la batteria e aumentare il rischio di incendi.

MANUTENZIONE

- **Eventuali riparazioni devono essere effettuate da un tecnico qualificato, che utilizzerà solo parti di ricambio originali.** In questo modo sarà possibile utilizzare l'apparecchio elettrico in totale sicurezza.
- **Non effettuare mai la manutenzione dei pacchi batteria danneggiati.** La manutenzione dei pacchi batteria deve essere effettuata solo dal produttore o da fornitori di assistenza autorizzati.

AVVERTENZE GENERALI DI SICUREZZA

⚠ AVVERTENZA

Leggere tutte le istruzioni e avvertenze di sicurezza, le illustrazioni e le specifiche fornite con questo prodotto. La mancata osservanza di tutte le istruzioni potrà causare scosse elettriche, incendi e/o gravi lesioni personali.

⚠ AVVERTENZA

Quando si utilizza questo prodotto, seguire eventuali norme di sicurezza. Per la propria sicurezza e per la sicurezza degli osservatori, leggere queste istruzioni prima di mettere in funzione il prodotto. Conservare le istruzioni per eventuali utilizzi futuri.

⚠ AVVERTENZA

Prodotto non inteso per essere utilizzato da bambini o persone con ridotte capacità fisiche, mentali o sensoriali. Supervisionare adeguatamente i bambini per assicurarsi che non giochino con il prodotto.

EN
FR
DE
ES
IT
NL
PT
DA
SV
FI
NO
RU
PL
CS
HU
RO
LV
LT
ET
HR
SL
SK
BG
UK
TR

⚠ AVVERTENZA

Alcune regioni hanno norme che limitano l'utilizzo del prodotto. Rivolgersi alle autorità locali per eventuali consigli.

UTILIZZO

- Leggere attentamente le istruzioni. Familiarizzare con tutti i controlli e con l'utilizzo corretto del prodotto.
- Non lasciare che bambini o persone che non conoscono le istruzioni lo utilizzino. Leggi locali possono limitare l'età dell'operatore.
- Tenere osservatori, bambini e animali ad almeno 15 metri di distanza dall'area delle operazioni. Arrestare il prodotto nel caso in cui eventuali osservatori entrino nell'area di lavoro.
- Non utilizzare il prodotto se stanchi, malati o sotto l'influenza di alcool, droghe o medicinali.
- Ricordare che l'operatore sarà responsabile di eventuali lesioni o danni a persone o cose.

PREPARAZIONE

- Indossare occhiali e cuffie di protezione mentre si utilizza questo prodotto. Nel caso in cui si sia lavorando in un'area dove vi sia rischio di caduta di oggetti, indossare sempre una protezione per la testa.
- Le cuffie di protezione potranno limitare la capacità dell'operatore di sentire avvertimenti e segnalazioni sonore. Fare particolare attenzione a potenziali rischi attorno e all'interno dell'area di lavoro.
- Indossare pantaloni lunghi e resistenti, stivali e guanti da lavoro. Non indossare abbigliamento con parti svolazzanti, pantaloni corti, gioielli di ogni genere né utilizzare il dispositivo a piedi scalzi.
- Assicurare i capelli lunghi al di sopra delle spalle per evitare che rimangano impigliati nelle parti in movimento.
- Prima dell'utilizzo e dopo ogni impatto, controllare che non vi siano parti danneggiate. Un interruttore difettoso o qualsiasi parte danneggiata o consumata dovrebbe essere accuratamente riparata o sostituita da un servizio autorizzato.
- Assicurarsi che l'accessorio di pulizia sia correttamente installato e ben fissato.
- Non mettere mai in funzione il prodotto a meno che tutti gli schermi, i deflettori e i manici siano correttamente e saldamente montati.
- Non utilizzare l'elettro utensile in ambienti umidi o in presenza di acqua. Tenere l'area di lavoro pulita, rimuovendo sempre cavi, bastoni, pietre e detriti che, se incastrati nell'utensile, potranno venire scagliati dalla stessa.

UTILIZZO E MANUTENZIONE DI UN UTENSILE A BATTERIE

- Ricaricare solo con il caricatore indicato dalla ditta produttrice. Un caricatore adatto per un tipo di batterie potrà creare un rischio di incendio se utilizzato con un altro gruppo batterie.

- Utilizzare elettro utensili solo con i gruppi batteria indicati. L'utilizzo di gruppi batteria diversi da quelli indicati potrà causare rischi di lesioni e incendi.
- Quando il gruppo batterie non viene utilizzato, tenerlo lontano da oggetti in metallo come fermagli, monete, chiavi, chiodi, viti o altri piccoli oggetti che potranno fare da tramite da un terminale all'altro. Cortocircuitare i terminali della batteria assieme potrà causare scottature o incendi.
- Se sottoposto a stress, la batteria potrà perdere dei liquidi; evitare il contatto. Se si entra accidentalmente in contatto con tali liquidi, lavarsi immediatamente con acqua. Se il liquido entra negli occhi, rivolgersi a un medico. Il liquido espulso dalla batteria potrà causare irritazioni o scottature.

AVVISI DI SICUREZZA DEL PULITORE PER CORTILE SENZA FILI

- Non lasciare mai che bambini, persone con ridotte capacità fisiche, sensoriali o mentali o mancanza di esperienza e conoscenza o persone non familiari con queste istruzioni utilizzino il prodotto.
- Utilizzare il prodotto con la luce del giorno o con una buona illuminazione artificiale.
- Mantenere sempre pieni ben appoggiati e un buon equilibrio e assicurarsi di avere sempre un buon appoggio dei piedi sui terreni scoscesi.
- Non camminare all'indietro quando si utilizza l'utensile.
- Camminare, non correre mai.
- Tenere l'accessorio testa di taglio più in basso del giro vita.
- Non mettere mai in funzione il prodotto con paralame danneggiati o senza paralame.
- Tenere sempre le mani e i piedi lontano da mezzi di pulizia, soprattutto quando si accende il motore.
- Non mettere mai in funzione il prodotto con paralame danneggiati o senza paralame.
- Spegnerne e rimuovere il pacco batteria. Assicurarsi che tutte le parti in movimento si siano arrestate:
 - prima degli interventi di assistenza
 - prima di lasciare il prodotto incustodito
 - prima di rimuovere un blocco
 - prima di svolgere le operazioni di controllo o pulizia sul prodotto o prima di utilizzarlo
 - prima di cambiare accessori
 - dopo aver colpito un corpo estraneo
 - ogniqualvolta si esegue la manutenzione
 - se il prodotto inizia a vibrare in maniera anormale
- Indossare occhiali e cuffie di protezione mentre si utilizza questo prodotto. Nel caso in cui si sia lavorando in un'area dove vi sia rischio di caduta di oggetti, indossare sempre una protezione per la testa.
- Le cuffie di protezione potranno limitare la capacità dell'operatore di sentire avvertimenti e segnalazioni sonore. Fare particolare attenzione a potenziali rischi attorno e all'interno dell'area di lavoro.
- Assicurare i capelli lunghi al di sopra delle spalle per evitare che rimangano impigliati nelle parti in

movimento.

- Assicurarsi che le griglie di ventilazione siano pulite e rimuovere eventuali materiali di scarto rimasti intrappolati.
- Prima dell'utilizzo e dopo ogni impatto, controllare che non vi siano parti danneggiate. Un interruttore difettoso o una qualsiasi parte danneggiata dovranno essere riparate o sostituite da un centro servizi autorizzato.
- Non modificare l'utensile in alcun modo, ciò potrà aumentare il rischio di lesioni verso se stessi o gli altri.
- Spegnerne immediatamente e rimuovere il pacco batteria in caso di incidente o guasto. Non utilizzare di nuovo il prodotto finché non è stato controllato a fondo da un centro di assistenza autorizzato.
- Testare sempre il prodotto sul materiale da pulire prima di effettuare l'operazione completa.

AVVERTENZE AGGIUNTIVE PER LA SICUREZZA DELLA BATTERIA

⚠ AVVERTENZA

Per ridurre il rischio d'incendio, di lesioni o di danni al prodotto causati da corto circuito, non immergere mai l'utensile, la batteria ricaricabile o il carica batterie in un liquido e non lasciare mai penetrare alcun liquido all'interno dei dispositivi e delle batterie. I fluidi corrosivi o conduttori come acqua salata, alcuni agenti chimici, agenti candeggianti o prodotti contenenti agenti candeggianti potrebbero provocare un corto circuito.

TRASPORTO E RIPONIMENTO

- Arrestare il prodotto, rimuovere la batteria, e lasciarlo raffreddare prima di riporlo o trasportarlo.
- Rimuovere eventuali materiali di scarto dal prodotto.
- Non riporre o trasportare il prodotto con le batterie installate: rimuoverle e riporle separatamente. Riporre in un luogo asciutto e ben ventilato non accessibile ai bambini. tenerlo a distanza da agenti corrosivi, come le sostanze chimiche per il giardinaggio e il fondente chimico. Non riporre all'esterno.
- Tenere il prodotto lontano dalla portata dei bambini.
- Per il trasporto, assicurare il prodotto contro ogni movimento o contro eventuali cadute per evitare lesioni a persone o danni al prodotto.

TRASPORTO BATTERIE AL LITIO

Trasportare le batterie rispettando quanto indicato dalle norme e regolamentazioni locali. Far rispettare quanto indicato sulle etichette e sull'involucro quando la batteria viene trasportata da terzi.

Assicurarsi che le batterie non entrino in contatto con altre batterie o con materiali conduttivi mentre si trasportano proteggendo connettori esposti con tappi o nastro isolante e non conduttivo. Non trasportare batterie rotte o che perdono liquidi. Consultare la ditta produttrice per eventuali ulteriori consigli.

MANUTENZIONE

⚠ AVVERTENZA

Utilizzare solo parti di ricambio, accessori e dispositivi originali della ditta produttrice. In caso contrario si potranno causare lesioni, prestazioni basse e la garanzia verrà invalidata.

⚠ AVVERTENZA

Le operazioni di manutenzione devono essere svolte con grande attenzione e accortezza solo da un tecnico qualificato. Far riparare il prodotto esclusivamente da un centro assistenza autorizzato. Quando si svolgono le operazioni di manutenzione, utilizzare solo parti di ricambio originali della ditta produttrice.

- Spegnerne e rimuovere il pacco batteria prima di effettuare lavori di manutenzione o pulizia.
- L'operatore potrà fare le regolazioni e riparazioni descritte nel presente manuale. Per ulteriori riparazioni, contattare il centro servizi autorizzato.
- Controllare frequentemente dadi, bulloni e viti, verificando che siano stati assicurati correttamente per fare in modo che il prodotto garantisca condizioni di lavoro ottimali. Riparare eventuali parti danneggiate o farle sostituire da un centro servizi autorizzato.
- Portare il prodotto presso un centro servizi autorizzato per sostituire le parti danneggiate o le etichette illeggibili.

RISCHI RESIDUI:

Anche quando il prodotto viene utilizzato come indicato, è impossibile eliminare completamente alcuni fattori di rischio residuo. Si potranno correre i seguenti rischi durante l'utilizzo e l'operatore dovrà fare particolare attenzione per evitare quanto segue:

- Lesioni causate da vibrazioni
 - Reggere il prodotto dai manici e limitare i tempi di utilizzo e l'esposizione.
- Lesioni causate dal rumore.
 - Indossare cuffie di protezione e limitare l'esposizione.
- Lesioni causate da detriti scagliati.
 - Indossare sempre protezioni per gli occhi.

RIDUZIONE DEL RISCHIO

Si è accertato che le vibrazioni causate da utensili a mano possono contribuire a causare una condizione chiamata Sindrome di Raynaud in alcune persone. I sintomi, comprendenti formicolio, intorpidimento e perdita di colore alle dita, si verificano di solito quando ci si espone al freddo. Fattori ereditari, esposizione a freddo e umidità, una dieta scorretta, fumo e condizioni di lavoro non sicure potranno contribuire allo sviluppo di questi sintomi. È possibile prendere delle precauzioni per ridurre le vibrazioni:

- Tenere il corpo al caldo a basse temperature. Quando si utilizza il prodotto indossare guanti per tenere le mani

e i polsi caldi. Le basse temperature contribuiscono a causare la Sindrome di Raynaud.

- Dopo aver utilizzato l'utensile per un certo periodo, fare degli esercizi per stimolare la circolazione del sangue.
- Fare spesso delle pause. Limitare la quantità di esposizione giornaliera.

Nel caso in cui si provino i sintomi di questa condizione, interrompere immediatamente l'utilizzo dell'utensile e consultare un dottore.

⚠ AVVERTENZA

Il prolungato utilizzo dell'utensile potrà causare o aggravare lesioni. Quando si utilizza questo utensile per periodi di tempo prolungati, assicurarsi di fare sempre delle pause regolari.

FAMILIARIZZARE CON IL PRODOTTO

Vedere pagina 138.

Parti

1. Interruttore di blocco
2. Grilletto
3. Spazzola metallica
4. Ruota
5. Gruppo spazzola a rulli
6. Spazzola a rulli
7. Caricatore
8. Fermo della batteria
9. Batteria
10. Pulsante di modifica collegamento
11. Chiavistello telescopico
12. Manopola
13. Manico

SIMBOLI SUL PRODOTTO



Leggere e comprendere tutte le istruzioni prima di mettere in funzione il prodotto, seguire tutte le istruzioni e le avvertenze di sicurezza.



Indossare dispositivi di protezione occhi



Indossare cuffie di protezione



Indossare guanti di protezione



Indossare calzature anti-scivolo con questo prodotto.



Non esporre a pioggia o umidità.



Fare attenzione ad oggetti scagliati o lanciati dall'utensile. Tenere lontani tutti gli osservatori, soprattutto bambini e animali, ad almeno 15 m dalla zona di funzionamento.



Tenere le mani lontano dall'area di lavoro



I prodotti elettrici non devono essere smaltiti con i rifiuti domestici. Vi sono strutture per smaltire tali prodotti. Informarsi presso il proprio Comune o rivenditore di sicurezza per smaltire adeguatamente tali rifiuti.



Questo apparecchio è conforme a tutte le norme vigenti nel paese dell'UE in cui è stato acquistato.



Marchio di conformità EurAsian



Marchio di conformità ucraino

Le parole e i messaggi di avvertimento spiegano i livelli di rischio associato con il prodotto.



PERICOLO

Indica una situazione pericolosa che, se non evitata attentamente, potrà causare gravi lesioni alla persona o morte.



AVVERTENZA

Indica una situazione potenzialmente pericolosa che, se non evitata attentamente, potrà causare gravi lesioni alla persona o morte



ATTENZIONE

Indica una situazione potenzialmente pericolosa che, se non evitata attentamente, potrà causare lesioni minori o moderate alla persona.

ATTENZIONE

(senza simbolo di allarme in materia di sicurezza) Indica una situazione che può provocare danni materiali.

SIMBOLI NEL PRESENTE MANUALE



Parti o accessori venduti separatamente



Note



Avvertenze



Bij het ontwerp van uw draadloze terrasreiniger hebben veiligheid, prestaties en betrouwbaarheid de hoogste prioriteit gekregen.

VOORGESCHREVEN GEBRUIK

De terrasreiniger is alleen bedoeld voor gebruik door volwassenen die de instructies en waarschuwingen in deze handleiding hebben gelezen en begrepen en die als verantwoordelijk voor hun daden kunnen worden beschouwd.

Het product is uitsluitend bedoeld voor gebruik buitenshuis in een goed geventileerd gebied. Het product is bestemd voor het reinigen van gelijkmatige oppervlakken en voegen buitenshuis, zoals natuursteen, tegels, straatstenen en houten oppervlakken. Het product is niet geschikt voor verticaal of hoog gebruik, zoals muren en plafonds.

Gebruik niet voor andere doeleinden.

ALGEMENE VEILIGHEIDSVOORSCHRIFTEN

⚠ WAARSCHUWING

Lees aandachtig alle waarschuwingen, aanwijzingen en specificaties die bij deze machine worden meegeleverd en bestudeer de afbeeldingen. Wanneer niet alle onderstaande instructies worden opgevolgd, kan dit leiden tot elektrische schok, brand en/of ernstig letsel.

Bewaar deze waarschuwingen en voorschriften zorgvuldig om ze ook later te kunnen inzien.

Met de term "elektrisch apparaat" in onderstaande veiligheidsvoorschriften worden alle type apparaten aangeduid, dus zowel apparaten met een netsnoer als apparaten met een accupak.

VEILIGHEID VAN DE WERKPLEK

- **Zorg dat uw werkruimte opgeruimd en goed verlicht is.** Rommelige of donkere plaatsen nodigen uit tot ongevallen.
- **Gebruik elektrische apparaten nooit in een explosieve atmosfeer, bijvoorbeeld in de buurt van ontvlambare vloeistoffen, van gassen of van stofdeeltjes.** Door de vonken van elektrische apparaten kunnen deze in brand raken of ontploffen.
- **Houd kinderen, omstanders en huisdieren op afstand als u een elektrisch apparaat gebruikt.** Zij zouden u kunnen afleiden, waardoor u de macht over het apparaat verliest.

ELEKTRISCHE VEILIGHEID

- **De stekker van een elektrisch apparaat moet zonder meer passen op het stopcontact. Ga niet aan de stekker knoeien. Gebruik nooit een verloopstekker voor elektrische apparaten met aardaansluiting.** Zo beperkt u de kans op elektrische schokken.
- **Voorkom aanraking van geaarde oppervlakken (bijv. buizen, radiatoren, fornuizen, koelkasten, enz.).** Het gevaar voor elektrische schokken wordt groter als een deel van uw lichaam in aanraking is met een geaard oppervlak.

- **Stel een elektrisch apparaat niet bloot aan regen of vochtigheid.** Het gevaar voor elektrische schokken wordt groter als er water binnentreedt in een elektrisch apparaat.
- **Houd het netsnoer in goede staat. Til uw apparaat nooit op aan het netsnoer en probeer niet om de stekker uit het stopcontact te halen door aan het snoer te trekken. Houd het snoer uit de buurt van warmtebronnen, olie, snijdende voorwerpen en bewegende onderdelen.** Het gevaar voor elektrische schokken wordt groter als het netsnoer beschadigd is of in de knoop zit.
- **Bij gebruik buitenshuis moeten eventuele verlengsnoeren geschikt zijn voor een dergelijk gebruik.** Zo beperkt u de kans op elektrische schokken.
- **Als u niet anders kunt dan het apparaat in een vochtige omgeving gebruiken, sluit het dan in ieder geval aan op een stroomgroep die beveiligd is met een aardlekschakelaar.** Door toepassing van een aardlekschakelaar wordt het gevaar voor elektrische schokken beperkt.

PERSOONLIJKE VEILIGHEID

- **Blijf attent, kijk goed naar wat u doet en gebruik uw gezond verstand als u een elektrisch apparaat gebruikt. Gebruik het elektrisch apparaat niet wanneer u vermoeid bent of onder invloed bent van drank of drugs, of wanneer u medicijnen gebruikt.** Vergeet niet dat zelfs één seconde onoplettendheid ernstig lichamenlijk letsel kan veroorzaken.
- **Gebruik persoonlijke beschermingsmiddelen. Bescherm altijd uw ogen.** Draag afhankelijk van de omstandigheden ook een stofmasker, schoenen met antislipzolen, een veiligheidshelm of gehoorbeschermers om gevaar voor ernstig lichamenlijk letsel te beperken.
- **Zorg dat het apparaat niet ongewild in werking kan treden. Zorg ervoor dat de schakelaar op "uit" staat voordat u het apparaat op de stroom aansluit of het accupak in het apparaat steekt of wanneer u het apparaat meeneemt of vervoert.** Beperk het gevaar voor ongelukken: verplaats het apparaat niet terwijl u een vinger op de schakelaar houdt en steek de stekker niet in het stopcontact / steek het accupak niet in het apparaat als de schakelaar op "aan" staat.
- **Verwijder de stelsleutels voordat u het apparaat in werking zet.** Een achtergebleven stelsleutel die aan een bewegend onderdeel vastzit, kan ernstig lichamenlijk letsel veroorzaken.
- **Zorg dat u altijd uw evenwicht goed kunt bewaren. Ga altijd stevig op uw benen staan en reik niet te ver weg met uw arm.** Door een stabiele werkpositie bent u beter in staat om uw gereedschap in bedwang te houden als er iets onverwachts gebeurt.
- **Draag geschikte kleding. Draag geen wijde kleding of sierraden. Houd uw haren en kleding uit de buurt van bewegende delen.** Wijde kleding, sierraden of lange haren kunnen beklemd raken in de bewegende delen.
- **Zorg ervoor dat het stofzuigstelsel goed is geïnstalleerd en ook wordt gebruikt wanneer het apparaat daarmee is uitgerust.** Zo voorkomt u gevaar voor ongelukken.
- **Zorg ervoor dat het frequent gebruik van en**

EN
FR
DE
ES
IT
NL
PT
DA
SV
FI
NO
RU
PL
CS
HU
RO
LV
LT
ET
HR
SL
SK
BG
UK
TR



vertrouwd zijn met gereedschappen u niet laks maakt als het gaat om het opvolgen van de bijbehorende veiligheidsprincipes. Een nochalante handeling kan in een fractie van een seconde ernstig letsel veroorzaken.

GEbruIK EN ONDERHOUD VAN APPARATEN MET SNOER

- **U mag het apparaat niet overbelasten. Gebruik een apparaat dat geschikt is voor het werk dat u gaat doen.** Uw elektrisch apparaat zal veiliger en zekerder werken als u het gebruikt op het toerental waarvoor het berekend is.
- **Gebruik een elektrisch apparaat niet als u het niet meer met de schakelaar aan en uit kunt zetten.** Een apparaat dat niet meer op de normale manier aan-en uitgezet kan worden, is gevaarlijk en moet absoluut worden gerepareerd.
- **Koppel de stekker los van de stroombron en/of verwijder de accu, indien deze afneembaar is, van het gereedschap voordat u instellingen aanpast, accessoires wijzigt of voordat u elektrisch gereedschap opbergt.** Zo verkleint u het risico dat het apparaat ongewild in werking treedt.
- **Berg elektrische apparaten weg buiten bereik van kinderen. Laat het apparaat niet gebruiken door personen die het apparaat niet kennen of geen kennis hebben genomen van de veiligheidsvoorschriften.** Elektrische apparaten zijn gevaarlijk in handen van onervaren personen.
- **Het onderhoud van elektrisch gereedschap en accessoires. Controleer de uitlijning van de bewegende delen. Kijk of er geen onderdelen zijn gebroken. Controleer de montage en alle andere elementen die de goede werking van het gereedschap kunnen beïnvloeden.** Als er iets beschadigd is, dient u uw apparaat eerst te laten herstellen voordat u het weer gebruikt. Ongelukken zijn vaak te wijten aan de slechte staat van onderhoud van het gereedschap.
- **Houd uw gereedschap altijd scherp en schoon.** Wanneer het mes van snijgereedschap goed scherp en schoon is, bestaat er minder kans dat het geblokkeerd raakt. Ook kunt u het apparaat dan beter onder controle houden.
- **Gebruik het elektrisch apparaat, de accessoires, de hulpstukken, enz. in overeenstemming met deze gebruiksvorschriften en houd daarbij rekening met de gebruiksomstandigheden en de gewenste toepassingen.** Gebruik een elektrisch apparaat uitsluitend voor de toepassingen waarvoor het bestemd is om gevaarlijke situaties te vermijden.
- **Zorg dat handvatten en handgrepen droog, schoon en vrij van olie en vet blijven.** Gladde handvatten en handgrepen maken het onmogelijk het gereedschap in onverwachte situaties veilig te hanteren en te bedienen.

SPECIEFIEKE VEILIGHEIDSVORSCHRIFTEN VOOR APPARATEN ZONDER SNOER

- **Laad het accupak van uw apparaat alleen op met behulp van het laadapparaat dat door de fabrikant is voorgeschreven.** Een lader die voor een bepaald type accu bedoeld is, kan brand veroorzaken als die voor een ander type accu wordt gebruikt.

- **Accugereedschap mag alleen in combinatie met een bepaald type accu worden gebruikt.** Het gebruik van andere accu's kan brand veroorzaken.
- **Houd de accu, wanneer deze niet gebruikt wordt, uit de buurt van metalen voorwerpen zoals paperclips, geldstukken, sleutels, spijkers, schroeven en andere metalen voorwerpen die verbinding tussen de klemmen zouden kunnen maken.** Kortsluiting van de klemmen van de accu kan brandwonden of brand veroorzaken.
- **Zorg dat u niet met accuvloeistof in aanraking komt als dit uit de accu is gelekt bij verkeerd gebruik. Mocht dit gebeuren, dan dient u de betreffende plekken overvloedig met helder water te spoelen.** Raadpleeg ook een arts als er vloeistof in uw ogen is gekomen. De uit een accu gestoten vloeistof kan irritaties of brandwonden veroorzaken.
- **Gebruik geen accu's of gereedschappen die beschadigd zijn of waaraan wijzigingen zijn doorgevoerd. Beschadigde of aangepaste accu's kunnen zich onvoorspelbaar gedragen, wat kan leiden tot brand, explosie of letsel.**
- **Stel accu's of gereedschappen niet bloot aan brand of overmatige temperaturen.** Blootstelling aan brand of temperaturen boven 130°C kan een explosie veroorzaken.
- **Volg alle laadinstructies op en laad de accu of het gereedschap niet op buiten het temperatuurbereik dat in de instructies staat vermeld.** Het onjuist opladen of opladen buiten het aangegeven temperatuurbereik kan de accu beschadigen en het brandgevaar doen toenemen.

ONDERHOUD

- **Eventuele reparaties mogen alleen door een bekwame vakman worden uitgevoerd met gebruik van originele reservedelen.** Zo kunt u het elektrisch apparaat veilig blijven gebruiken.
- **Beschadigde accu's mogen nooit zelf worden gerepareerd.** Reparatie van accu's mag uitsluitend worden uitgevoerd door de fabrikant of door een bevoegde reparatieservice.

ALGEMENE VEILIGHEIDSWAARSCHUWINGEN

⚠ WAARSCHUWING

Lees alle veiligheidsinstructies, illustraties en specificaties die met dit product worden meegeleverd. Wanneer niet de waarschuwingen en instructies niet opvolgt, kan dit leiden tot elektrische schok en/of ernstig letsel.

⚠ WAARSCHUWING

Wanneer u het product gebruikt, moeten de veiligheidsregels worden opgevolgd. Voor uw eigen veiligheid en deze van omstanders, dient u deze instructies te lezen voor u het product gebruikt. Bewaar de instructies op een veilige plaats voor later gebruik.

⚠ WAARSCHUWING

Het product is niet geschikt voor gebruik door kinderen of personen met verminderde fysieke, mentale of zintuigelijke vermogens. Kinderen moeten onder toezicht staan om ervoor te zorgen dat ze niet met het product spelen.

⚠ WAARSCHUWING

Enkele regio's hebben regels die het gebruik van het product beperken. Raadpleeg uw lokale autoriteit voor advies.

OPLEIDING

- Lees zorgvuldig de instructies. Wees vertrouwd met alle bedieningen en het correct gebruik van het product.
- Laat kinderen of personen die niet vertrouwd zijn met deze instructies, het product gebruiken. De plaatselijke wetgeving kan beperkingen opleggen i.v.m. de leeftijd van de bediener.
- Houd omstaanders, kinderen en huisdieren op tenminste 15 m afstand van het werkgebied. Leg het product stil als iemand het werkgebied betreedt.
- Gebruik het product nooit als u moe of ziek bent of onder de invloed van alcohol, drugs of medicijnen staat.
- Hou er rekening mee dat de bediener of gebruiker verantwoordelijk is voor ongevallen of gevaren t.o.v. anderen of hun eigendom.

VOORBEREIDING

- Draag volledige gezichts- en gehoorbescherming terwijl u het product bedient. Als u op een plaats werkt waar het risico bestaat op vallende voorwerpen moet een veiligheidshelm worden gedragen.
- Gehoorbescherming kan de mogelijkheid dat de operator geluiden hoort, verkleinen. Wees bijzonder voorzichtig voor mogelijke gevaren rond en op de werkplek.
- Draag een zware lange broek, laarzen en handschoenen. Draag geen losse kleding, korte broek, juwelen van enig soort en gebruik het apparaat niet met blote voeten.
- Maak lang haar vast boven schouderhoogte om te voorkomen dat het verstrikt raakt in de bewegende delen.
- Voor gebruik en na elke impact controleert u op beschadigde onderdelen. Een defecte schakelaar of een ander onderdeel dat beschadigd of versleten is, moet deskundig worden hersteld of vervangen door een geautoriseerde onderhoudsdienst.
- Zorg ervoor dat het reinigingshulpstuk correct is geïnstalleerd en stevig is bevestigd.
- Gebruik het product nooit tenzij alle beschermers, deflectoren en handvatten correct en stevig zijn bevestigd.
- Hou rekening met de omgeving waarin u werkt. Houd het werkgebied vrij van kabels, stokken, stenen en afval dat door de maaier kan worden weggevoerd, indien geraakt.

GEbruik EN ONDERHOUD VAN HET ACCU- AANGEDREVEN WERKTUIG

- Herlaad enkel met de oplader die door de fabrikant is gespecificeerd. Een oplader die voor een type accupack is geschikt kan een brandgevaar betekenen wanneer het met een ander accupack wordt gebruikt.
- Gebruik elektrisch gereedschap uitsluitend met de specifiek toegewezen accupacks. Het gebruik van andere accupacks kan leiden tot risico's op letsels en brand.
- Wanneer het accupack niet wordt gebruikt, moet u het weg houden van andere metalen objecten, zoals papierclips, munten, sleutels, spijkers, schroeven of andere kleine metalen voorwerpen die een verbinding kan maken van een terminal naar een andere. De batterijterminals kortsluiten kan leiden tot brandwonden of brand.
- In oneigenlijke omstandigheden, kan een vloeistof uit de accu lekken; vermijd contact hiermee. Als per ongeluk contact voorkomt, spoelt u met water. Als de vloeistof in contact komt met de ogen, dient u bijkomend medische hulp te raadplegen. Vloeistof die uit de accu lekt, kan irritatie of brandwonden veroorzaken.

VEILIGHEIDSWAARSCHUWINGEN DRAADLOZE TERRASREINIGER

- Laat kinderen, personen met verminderde fysieke, zintuigelijke of mentale vermogens of een gebrek aan ervaring of kennis of mensen die niet vertrouwd zijn met deze gebruiksaanwijzingen, het product niet gebruiken.
- Gebruik het product bij daglicht of bij goed kunstmatig licht.
- Zorg te allen tijde voor een vaste voet en goede balans, met name op hellingen.
- Stap niet achteruit terwijl u het product gebruikt.
- Stap altijd, loop nooit.
- Houd het kop-hulpstuk onder middelhoogte.
- Gebruik het product nooit wanneer de beschermers beschadigd of niet gemonteerd zijn.
- Houd handen en voeten te allen tijde uit de buurt van het reinigingshulpstuk, vooral wanneer u de motor inschakelt.
- Gebruik het product nooit wanneer de beschermers beschadigd of niet gemonteerd zijn.
- Schakel het apparaat uit en verwijder de accu. Zorg ervoor dat alle bewegende delen volledig tot stilstand zijn gekomen:
 - vóór onderhoud
 - voordat u het product onbewaakt achterlaat
 - voordat u een obstructie verwijdert
 - voor u het product controleert, reinigt of aan het product werkt.
 - voordat u accessoires verwisselt
 - nadat u een onbekend voorwerp raakt
 - tijdens het uitvoeren van onderhoud
 - als het product abnormaal begint te trillen
- Draag volledige gezichts- en gehoorbescherming terwijl u het product bedient. Als u op een plaats werkt waar

het risico bestaat op vallende voorwerpen moet een veiligheidshelm worden gedragen.

- Gehoorsbescherming kan de mogelijkheid dat de operator geluiden hoort, verkleinen. Wees bijzonder voorzichtig voor mogelijke gevaren rond en op de werkplek.
- Maak lang haar vast boven schouderhoogte om te voorkomen dat het verstrikt raakt in de bewegende delen.
- Zorg er altijd voor dat de ventilatie-openingen vrij blijven van afval.
- Voor gebruik en na elke impact controleert u op beschadigde onderdelen. Een defecte schakelaar of een onderdeel dat beschadigd is moet correct worden of vervangen door een geautoriseerde onderhoudsfaciliteit.
- Wijzig de machine niet. Dit kan het risico op letsels voor uzelf of anderen verhogen.
- Schakel het apparaat onmiddellijk uit en verwijder de accu in geval van een ongeluk of defect. Gebruik het product niet opnieuw totdat het volledig is gecontroleerd door een erkend onderhoudscentrum.
- Test het product altijd uit op het materiaal dat u wilt reinigen voordat u het echte werk begint.

EXTRA WAARSCHUWINGEN BATTERIJVEILIGHEID

⚠ WAARSCHUWING

V voorkom brand, persoonlijk letsel of materiële schade door kortsluiting en dompel het gereedschap, de wisselaccu en het laadtoestel niet onder in vloeistoffen en waarborg dat geen vloeistoffen in de apparaten en accu's kunnen dringen. Corrosieve of geleidende vloeistoffen zoals zout water, bepaalde chemicaliën, bleekmiddelen of producten die bleekmiddelen bevatten, kunnen een kortsluiting veroorzaken.

TRANSPORT EN OPSLAG

- Leg het product stil, verwijder de batterij en laat afkoelen voor u het toestel opbergt of transporteert.
- Verwijder alle vreemde voorwerpen van het product.
- Bewaar of transporteer het product niet met geplaatste accu's. Verwijder deze en bewaar ze apart. Bewaar op een koele, droge en goed geventileerde plaats die niet toegankelijk is voor kinderen. Houd corrosieve producten, zoals tuinchemicaliën en strooizout uit de buurt van het apparaat. Bewaar niet buitenshuis.
- Houd het product buiten het bereik van kinderen.
- Voor transport beveilig u het product tegen bewegen of vallen om lichamelijke letsels of schade aan het product te voorkomen.

LITHIUMBATTERIJEN TRANSPORTEREN

De accu's dienen in overeenstemming met de plaatselijk en nationale regelgeving te worden getransporteerd. Respecteer alle speciale voorwaarden op de verpakking

en etikettering wanneer u de accu's door derden laat transporteren.

Zorg ervoor dat de accu's tijdens het transport niet in contact komen met andere batterijen of geleidende materialen door blootliggende connectoren met isolerende, niet-geleidende doppen of plakband te beschermen. Transporteer geen accues die lekken of gebarsten zijn. Overleg met het transportbedrijf voor verder advies.

ONDERHOUD

⚠ WAARSCHUWING

Gebruik uitsluitend originele vervagonderdelen, accessoires en voorzetstukken van de fabrikant. Als u dit niet doet, kan dit mogelijks letsels of slechte prestaties veroorzaken waardoor uw garantie kan vervallen.

⚠ WAARSCHUWING

Het onderhoud vereist extreme voorzichtigheid en deskundigheid en mag enkel door een gekwalificeerde onderhoudstechnicus worden uitgevoerd. Het product mag uitsluitend door een erkend servicecentrum worden gerepareerd. Gebruik uitsluitend originele vervagonderdelen wanneer u onderhoudswerken aan de machine uitvoert.

- Schakel het apparaat uit en verwijder de accu voordat u onderhoud of reiniging aan het apparaat uitvoert.
- U kunt de afstellingen en reparaties die in deze gebruiksaanwijzing worden vermeld, uitvoeren. Voor andere herstellingen, neemt u contact op met uw geautoriseerd onderhoudsagent.
- Controleer regelmatig of alle moeren, bouten en vijzen goed zijn vastgemaakt om zeker te zijn dat het product veilig kan worden gebruikt. Een beschadigd onderdeel moet door een geautoriseerd onderhoudscentrum goed worden gerepareerd of vervangen.
- Breng het product naar een geautoriseerd onderhoudscentrum om beschadigde of onleesbare etiketten te vervangen.

RESTRISICO'S

Zelfs wanneer het product zoals voorgeschreven wordt gebruikt, is het nog steeds onmogelijk om bepaalde restrisico's volledig te elimineren. De volgende gevaren kunnen ontstaan tijdens het gebruik en de bediener moet bijzondere aandacht hebben om de volgende situaties te voorkomen:

- Letsels veroorzaakt door trillingen
 - Houd het product uitsluitend vast aan de handvatten en beperk de bedrijfs- en blootstellingstijd.
- Verwondingen veroorzaakt door geluid.
 - Draag gehoorbescherming en beperk de blootstelling.
- Letsel veroorzaakt door rondvliegend puin.
 - Draag altijd gezichtsbescherming.

RISICOBEPERKING

Er zijn meldingen dat trillingen van handwerktuigen bij sommige mensen bijdragen tot het Syndroom van Raynaud. Symptomen kunnen ondermeer tintelingen, gevoelloosheid en bleek worden van de vingers omvatten, wat normaal gezien duidelijk wordt bij blootstelling aan koude. Erfelijke factoren, blootstelling aan koude en vocht, dieet, roken en werkroutine kunnen allemaal bijdragen tot de ontwikkeling van deze symptomen. Er kunnen door de bediener maatregelen worden genomen om de gevolgen van de trillingen te beperken:

- Houd bij koud weer uw lichaam warm. Draag handschoenen terwijl u het product gebruikt om de handen en polsen warm te houden. Men neemt aan dat koud weer een belangrijke factor is die bijdraagt tot het Syndroom van Raynaud.
- Doe oefeningen om de bloeddoorstroming te bevorderen na elke periode van gebruik.
- Neem regelmatig een pauze. Beperk het aantal uren dat u per dag wordt blootgesteld.

Wanneer u enige van de symptomen van deze aandoening ervaart, stop dan onmiddellijk met het gebruik van het toestel en raadpleeg uw dokter

⚠ WAARSCHUWING

Letsels kunnen worden veroorzaakt of ernstiger worden door verlengd gebruik van een werktuig. Als u een werktuig gedurende langere periodes gebruikt, neem dan regelmatig pauze.

KEN UW PRODUCT

Zie pagina 138.

Onderdelen

1. Noodschakelaar
2. Aan-/uit-hendel
3. Staalborstel
4. Wiel
5. Montage rolborstel
6. Rolborstel
7. Lader
8. Accugrendel
9. Accu
10. Knop voor vervangen hulpstuk
11. Hendel voor uitschuiven
12. Knop
13. Handvat

SYMBOLEN OP HET PRODUCT



Lees en begrijp alle instructies voor u het product bedient, volg alle waarschuwingen en veiligheidsinstructies.



Draag gezichtsbescherming



Draag gehoorbescherming



Draag beschermhandschoenen



Draag anti-slipschoeisel wanneer u het product gebruikt.



Stel niet bloot aan regen of vocht.



Houd rekening met weggeslingerde of rondvliegende voorwerpen. Houd alle omstanders, in het bijzonder kinderen en huisdieren, op tenminste 15m afstand van het werkgebied.



Houd uw handen uit de buurt van de werkzone



Elektrisch afval mag niet samen met ander huishoudafval worden weggegooid. Gelieve te recycleren indien de mogelijkheid bestaat. Neem contact op met uw lokaal bestuur of handelaar om advies te krijgen over recyclage.



Dit apparaat voldoet aan alle geldende normen van Lid-Staat van de Europese Unie waar het werd gekocht.



EurAsian-symbool van overeenstemming



Oekraïens conformiteitssymbool

De volgende signaalwoorden en betekenissen zijn bedoeld om de gevaarniveaus die met het product zijn verbonden, te verklaren:



Wijst op een gevaarlijke situatie die, als ze niet wordt voorkomen, dodelijk kan zijn of ernstige verwondingen kan veroorzaken.



Wijst op een mogelijks gevaarlijke situatie die, als ze niet wordt voorkomen, dodelijk kan zijn of ernstige verwondingen kan veroorzaken.



Wijst op een mogelijks gevaarlijke situatie die, als ze niet wordt voorkomen, kleine of middelmatige verwondingen kan veroorzaken.

LET OP

(Zonder veiligheidswaarschuwingssymbool) Wijst op een situatie die kan leiden tot materiële schade.

SYMBOLEN IN DEZE GEBRUIKSAANWIJZING



Onderdelen of accessoires afzonderlijk verkocht



Opmerking



Waarschuwing



No design do seu equipamento de limpeza de pátios sem fios demos prioridade à segurança, ao desempenho e à fiabilidade.

USO PREVISTO

O equipamento de limpeza de pátios destina-se a ser utilizado apenas por adultos que tenham lido e compreendido as instruções e os avisos neste Manual e que possam ser considerados responsáveis pelas suas ações.

O produto apenas se destina a ser usado ao ar livre numa área bem ventilada. O produto é utilizado na limpeza de superfícies planas, uniões e entre superfícies exteriores, incluindo lajes, revestimentos cerâmicos, pedras da calçada e superfícies em madeira. O produto não é adequado para uma utilização vertical, tal como em paredes de casas ou trabalhos em altura como tetos.

Não a use para nenhuma outra finalidade.

AVISOS GERAIS DE SEGURANÇA DE FERRAMENTAS ELÉCTRICAS

⚠ AVISO

Leia com atenção todas as advertências, instruções e especificações fornecidas com a ferramenta, e consulte as ilustrações. Se alguma das instruções listadas abaixo não for cumprida, daí poderá resultar choque eléctrico, incêndio e/ou ferimentos graves.

ConsERVE estas advertências e instruções para poder consultá-las mais tarde.

O termo “ferramenta eléctrica” utilizado nas instruções de segurança seguintes designa tanto as ferramentas eléctricas que se ligam à corrente como as ferramentas eléctricas sem fio.

SEGURANÇA DO ESPAÇO DE TRABALHO

- **Mantenha a sua área de trabalho limpa e bem iluminada.** As áreas desordenadas ou escuras são um convite para acidentes.
- **Não utilize ferramentas eléctricas num ambiente explosivo, como por exemplo perto de líquidos, gases ou poeiras inflamáveis.** As centelhas provenientes das ferramentas eléctricas podem incendiá-los ou fazê-los explodir.
- **Mantenha as crianças, visitantes e animais domésticos afastados quando utilizar uma ferramenta eléctrica,** porque poderiam distraí-lo e fazer-lhe perder o controlo da ferramenta.

SEGURANÇA ELÉCTRICA

- **A ficha da ferramenta eléctrica deve estar adaptada à tomada. Nunca faça nenhuma intervenção na ficha. Nunca utilize um adaptador com ferramentas eléctricas ligadas à terra ou à massa.** Evitará assim os riscos de choque eléctrico.
- **Evite qualquer contacto com superfícies ligadas à terra ou à massa (isto é, tubos, radiadores, fogões, frigoríficos, etc.).** Os riscos de choques eléctricos aumentam se uma parte do corpo ficar em contacto

com superfícies ligadas à terra ou à massa.

- **Nunca exponha uma ferramenta eléctrica à chuva nem à humidade.** Os riscos de choque eléctrico aumentam se a água penetrar numa ferramenta eléctrica.
- **ConsERVE o fio de alimentação em bom estado. Nunca segure a ferramenta pelo fio de alimentação e nunca puxe o fio para a desligar. Mantenha o fio de alimentação afastado de qualquer fonte de calor, de óleo, de objectos afiados ou de elementos em movimento.** Os riscos de choque eléctrico aumentam se o fio estiver danificado ou emaranhado.
- **Quando trabalhar no exterior, utilize unicamente extensões concebidas para uma utilização no exterior.** Evitará assim os riscos de choque eléctrico.
- **Se não puder evitar a utilização da ferramenta em ambiente húmido, ligue-se a uma alimentação eléctrica protegida por um dispositivo diferencial residual (DDR).** A utilização de um dispositivo DDR limita os riscos de choques eléctricos.

SEGURANÇA PESSOAL

- **Mantenha-se vigilante, observe bem o que faz e demonstre bom senso quando utiliza uma ferramenta eléctrica. Não utilize a sua ferramenta se estiver cansado, sob a influência de bebidas alcoólicas ou de drogas ou se tomar medicamentos.** Nunca se esqueça que basta um segundo de falta de atenção para se ferir gravemente.
- **Utilize dispositivos de protecção. Proteja sempre os olhos.** Conforme as circunstâncias, use também uma máscara anti-poeira, calçado antiderrapante, um capacete ou protecções auditivas para evitar os riscos de ferimentos graves.
- **Evite qualquer arranque por descuido. Certifique-se de que o interruptor está em “Desligar” antes de ligar a ferramenta a uma tomada ou de inserir a bateria, mesmo quando pega ou transporta a ferramenta.** Para evitar os riscos de acidentes, não desloque a ferramenta com o dedo no gatilho e não a ligue à corrente / não insira a bateria se o interruptor estiver na posição “Ligar”.
- **Retire as chaves de aperto antes de ligar a sua ferramenta.** Uma chave de aperto mantida presa num elemento móvel da ferramenta pode provocar ferimentos graves.
- **Tenha o cuidado de se encontrar sempre em posição de equilíbrio. Fique sempre bem apoiado nas pernas e não estique demasiado o braço.** Uma posição de trabalho estável permite controlar melhor a sua ferramenta em caso de evento fortuito.
- **Use roupas adequadas. Não use roupas folgadas nem jóias. Mantenha as suas roupas e o seu cabelo afastados de peças móveis.** As roupas folgadas, as jóias e os cabelos compridos podem ficar presos nos elementos em movimento.
- **Se a ferramenta for entregue com um sistema de aspiração da poeira, o mesmo deve ser instalado e utilizado correctamente.** Evitará assim os riscos de acidentes.
- **Mesmo que utilize frequentemente ferramentas eléctricas e esteja familiarizado com elas, não facilite e não ignore os princípios de segurança.**



Uma acção descuidada ou uma falta de atenção podem causar ferimentos graves numa fracção de segundo.

UTILIZAÇÃO E MANUTENÇÃO DAS FERRAMENTAS ELÉCTRICAS

- **Não force a sua ferramenta.** Utilize a ferramenta adaptada ao trabalho que quer efectuar. A sua ferramenta eléctrica será mais eficaz e mais segura se a utilizar no regime para o qual foi concebida.
- **Não utilize uma ferramenta eléctrica se o interruptor não permitir pô-la em funcionamento e pará-la.** Uma ferramenta que não pode ser ligada e desligada correctamente é perigosa e deve ser reparada imperativamente.
- **Antes de fazer quaisquer ajustes, de mudar acessórios ou de guardar ferramentas eléctricas, desligue a alimentação eléctrica da ferramenta, desencaixando a ficha da tomada de rede eléctrica e/ou desmontando o conjunto de baterias (se for desmontável).** Desse modo reduz os riscos de arranque da ferramenta por descuido.
- **Arrume as ferramentas eléctricas fora do alcance das crianças.** Não deixe as pessoas que não conhecem a ferramenta ou que não leram estas instruções de segurança utilizar a ferramenta. As ferramentas eléctricas são perigosas em mãos de pessoas sem experiência.
- **Faça a manutenção das ferramentas eléctricas e dos acessórios.** Verifique o alinhamento das peças móveis. Verifique se nenhuma peça está partida. Controle a montagem e qualquer outro elemento que possa afectar o funcionamento da ferramenta. Se houver peças danificadas, mande reparar a sua ferramenta antes de a utilizar. Muitos acidentes são devidos a uma má manutenção das ferramentas.
- **ConsERVE as suas ferramentas limpas e afiadas.** Uma ferramenta de corte bem afiada e limpa corre menos riscos de bloquear e é mais fácil de controlar.
- **Utilize a sua ferramenta eléctrica, os acessórios, as pontas, etc. conforme estas instruções de utilização, levando em conta as condições de utilização assim como as aplicações desejadas.** Para evitar situações perigosas, utilize a sua ferramenta eléctrica apenas para trabalhos para os quais foi concebida.
- **As pegas e as superfícies de contacto com as mãos têm de ser mantidas secas, limpas e livres de óleo e de gordura.** Se as pegas e as superfícies de contacto com as mãos estiverem escorregadias, o operador não consegue manejar a ferramenta de forma segura, nem consegue manter a ferramenta sob controlo em situações inesperadas.

INSTRUÇÕES DE SEGURANÇA ESPECÍFICAS ÀS FERRAMENTAS SEM FIO

- **Carregue a bateria somente com o carregador recomendado pelo fabricante.** Um carregador adaptado a um certo tipo de bateria pode desencadear um incêndio se for utilizado com outro tipo de bateria.
- **Só se deve utilizar um tipo de bateria específica com uma ferramenta sem fio.** O uso de qualquer outra bateria pode provocar um incêndio.
- **Quando a bateria não for utilizada, mantenha-a afastada de objectos metálicos como cliques, moedas, chaves, parafusos, pregos ou qualquer**

outro objecto que possa ligar os contactos entre si. O curto-circuito dos contactos da bateria pode provocar queimaduras ou incêndios.

- **Evite qualquer contacto com o líquido da bateria em caso de fuga da bateria devido a uma utilização abusiva.** Se isso ocorrer, lave a zona afectada com água limpa abundante. Se os olhos forem atingidos, consulte também um médico. O líquido projectado de uma bateria pode provocar irritações ou queimaduras.
- **Não utilize conjuntos de baterias nem ferramentas que estejam danificadas ou que tenham sido modificadas.** Baterias danificadas ou modificadas podem ter um comportamento imprevisível e causar um incêndio, uma explosão ou ferimentos.
- **Não exponha conjuntos de baterias nem ferramentas ao fogo nem a temperaturas excessivas.** A exposição ao fogo ou a temperaturas acima de 130°C pode causar uma explosão.
- **Siga todas as instruções referentes ao carregamento e não carregue conjuntos de baterias nem ferramentas em temperaturas que excedam os valores especificados nas instruções.** Se o carregamento for feito de forma incorrecta ou em temperaturas que excedam os valores especificados, isso poderá danificar a bateria e aumentar o risco de incêndio.

MANUTENÇÃO

- **As reparações devem ser efectuadas por um técnico qualificado, utilizando unicamente peças sobresselentes de origem.** Desse modo poderá utilizar a sua ferramenta eléctrica com toda a segurança.
- **Nunca tente fazer reparações a conjuntos de baterias que estejam danificados.** Os conjuntos de baterias apenas podem ser reparados pelo fabricante ou por um concessionário de assistência técnica autorizado.

AVISOS GERAIS DE SEGURANÇA

⚠ ADVERTÊNCIA

Leia todas as instruções dos avisos de segurança, as ilustrações e as especificações técnicas fornecidas com este produto. O facto de não seguir os avisos e as instruções pode conduzir a choque eléctrico, fogo e/ou lesão grave.

⚠ ADVERTÊNCIA

Ao utilizar o produto, devem seguir-se as normas de segurança. Para a sua própria segurança e a dos que o rodeiam, leia estas instruções antes de utilizar o produto. Guarde as instruções para usá-las no futuro.

⚠ ADVERTÊNCIA

O produto não deve ser utilizado por crianças nem por pessoas com capacidades físicas, mentais ou sensoriais reduzidas. As crianças devem ser mantidas sob vigilância adequada para se garantir que não brincam com o produto.

ADVERTÊNCIA

Algumas regiões têm normas que limitam o uso do produto. Consulte a sua autoridade local para obter informação.

FORMAÇÃO

- Leia as instruções com atenção. Familiarize-se com todos os controlos e a utilização adequada do aparelho.
- Nunca permita que crianças ou pessoas que não estejam familiarizadas com estas instruções utilizem o produto. A legislação local pode restringir a idade do operador.
- Mantenha os transeuntes, as crianças e os animais a 15 m de distância da zona de operação. Desligue o aparelho se alguém entrar na área.
- Não utilize o produto quando estiver cansado, doente ou sob a influência do álcool, drogas ou medicamentos.
- Mantenha em mente que o operador ou o utilizador é responsável pelos acidentes ou perigos que ocorrem a outras pessoas ou à sua propriedade.

PREPARAÇÃO

- Use óculos de protecção total para os olhos e ouvidos ao utilizar este produto. Ao trabalhar numa área onde haja um risco de queda de objectos, tem que se usar uma protecção para a cabeça.
- A protecção auditiva pode restringir a capacidade do operador de ouvir os sons de alarme. É preciso ter muita atenção aos perigos potenciais dentro e à volta da área de trabalho.
- Use luvas, botas e calças resistentes. Não utilize roupa larga, calções, joias nem utilize com os pés descalços.
- Prenda o cabelo comprido para que fique acima do nível dos ombros para evitar que fique emaranhado em peças móveis.
- Antes do seu uso e após qualquer impacto, comprove que não há peças danificadas. Os interruptores defeituosos ou gastas ou qualquer outra peça danificada devem ser substituídos ou reparados adequadamente por um estabelecimento de serviço autorizado.
- Certifique-se de que o acessório de limpeza está corretamente instalado e bem preso.
- Nunca opere com o produto a menos que todas as proteções, deflectores e cabos estejam unidos de forma correta e segura.
- Tenha em consideração o ambiente em que está a trabalhar. Mantenha a zona de trabalho livre de cabos, paus, pedras e sujidade que, se forem atingidos pela lâmina, podem converter-se em objetos lançados.

UTILIZAÇÃO E MANUTENÇÃO DA BATERIA

- Recarregue apenas com o carregador especificado pelo fabricante. Um carregador que seja adequado para um tipo de bateria pode causar risco de incêndio, quando utilizado com outra bateria.
- Use ferramentas eléctricas somente com baterias especificamente concebidas. O uso de qualquer outro

tipo de bateria pode causar risco de lesões e incêndio.

- Quando a bateria não estiver a ser utilizada, mantenha-a afastada de outros objectos metálicos como cliques de papel, moedas, chaves, pregos, parafusos, ou outros pequenos objectos metálicos que podem fazer a ligação de um terminal para outro. Ligar os terminais da bateria em conjunto pode causar queimaduras ou um incêndio.
- Sob circunstâncias abusivas, o líquido pode ser ejectado da bateria, evite o contacto. Se o contacto ocorrer acidentalmente, limpe com água abundante. Se o líquido entrar em contacto com os olhos, procure adicionalmente assistência médica. O líquido ejectado da bateria pode causar irritação ou queimaduras.

AVISOS DE SEGURANÇA DO EQUIPAMENTO DE LIMPEZA DE PÁTIOS SEM FIOS

- Nunca deixe que o aparelho seja utilizado por crianças, pessoas com capacidade física, sensorial ou mental reduzida, pessoas sem experiência nem conhecimentos nem pessoas que não estejam familiarizadas com estas instruções.
- Utilize o produto à luz do dia ou com uma luz artificial eficaz.
- Mantenha uma postura e equilíbrio adequados em todas as circunstâncias e certifique-se de que mantém uma postura firme em inclinações.
- Não ande para enquanto usa este produto.
- Ande e nunca corra.
- Mantenha o acessório da cabeça abaixo da linha da cintura.
- Não utilize o produto com as tampas danificadas ou sem tê-las colocado.
- Mantenha as mãos e os pés afastados dos meios de limpeza em todas as ocasiões, especialmente quando ligar o motor.
- Não utilize o produto com as tampas danificadas ou sem tê-las colocado.
- Desligue e retire a bateria. Certifique-se de que todas as peças em movimento pararam completamente:
 - antes de fazer reparações ou manutenção
 - antes de deixar o produto desacompanhado
 - antes de desobstruir bloqueios
 - antes de verificar, limpar ou funcionar com o produto
 - antes de substituir acessórios
 - depois de embater num objecto estranho
 - sempre que fizer manutenção
 - se o produto começar a vibrar de forma anormal
- Use óculos de protecção total para os olhos e ouvidos ao utilizar este produto. Ao trabalhar numa área onde haja um risco de queda de objectos, tem que se usar uma protecção para a cabeça.
- A protecção auditiva pode restringir a capacidade do operador de ouvir os sons de alarme. É preciso ter muita atenção aos perigos potenciais dentro e à volta da área de trabalho.
- Prenda o cabelo comprido para que fique acima do

EN
FR
DE
ES
IT
NL
PT
DA
SV
FI
NO
RU
PL
CS
HU
RO
LV
LT
ET
HR
SL
SK
BG
UK
TR

nível dos ombros para evitar que fique emaranhado em peças móveis.

- Assegure-se sempre que as aberturas de ventilação se mantêm desobstruídas de detritos.
- Antes do seu uso e após qualquer impacto, comprove que não há peças danificadas. Os interruptores defeituosos ou qualquer outra peça danificada devem ser substituídos ou reparados adequadamente por um estabelecimento de serviço autorizado.
- Não modifique, de forma nenhuma, a máquina, porque pode aumentar o risco de lesionar-se ou os demais.
- Em caso de acidente ou avaria, desligue de imediato e retire a bateria. Não volte a operar o produto enquanto não tiver sido totalmente verificado por um centro de assistência autorizado.
- Teste sempre o produto no material a limpar antes de iniciar a operação completa.

AVISOS DE SEGURANÇA ADICIONAIS DAS BATERIAS

⚠️ ADVERTÊNCIA

Para evitar o risco de incêndio, de feridas ou de danificação do produto causado por um curto-circuito, não imerja a bateria intercambiável ou o carregador em líquidos e assegure-se de que líquidos não penetrem nos aparelhos ou nas baterias. Líquidos corrosivos ou condutivos como água salgada, determinadas substâncias químicas ou produtos que contenham branqueadores podem causar um curto-circuito.

TRANSPORTE E ARMAZENAMENTO

- Pare o produto, retire a bateria e deixe que ambos arrefeçam antes de guardar ou de transportar.
- Limpe todos os materiais estranhos do produto.
- Não armazene nem transporte o produto com as baterias aplicadas: desmonte o conjunto de baterias e ponha-as em segurança, de modo a evitar que este se mova ou caia, para evitar lesões ou danos no produto.
- Mantenha o aparelho fora do alcance das crianças.
- Para transportar, prenda o aparelho de modo a evitar que este se mova ou caia, para evitar lesões ou danos no produto.

TRANSPORTE DE BATERIAS DE LÍTIU

Transporte as baterias em conformidade com as disposições e regulamentos locais e nacionais. Siga todos os requisitos especiais na embalagem e rótulos ao transportar baterias por um terceiro.

Certifique-se de que nenhuma bateria pode entrar em contacto com outras baterias ou materiais condutores durante o transporte protegendo os conectores expostos com tampas ou fita isoladora e não condutora. Não transporte baterias que estejam rachadas ou com fugas.

Confirme com a empresa de envio para mais conselhos.

MANUTENÇÃO

⚠️ ADVERTÊNCIA

Utilize apenas peças de substituição, acessórios e encaixes do fabricante original. A inobservância desta indicação pode causar um fraco desempenho, possíveis lesões e poderá anular a sua garantia.

⚠️ ADVERTÊNCIA

Os serviços de manutenção requerem extremo cuidado e conhecimentos e devem apenas ser realizado por um técnico de assistência qualificado. Repare o seu produto exclusivamente num centro de assistência autorizado. Durante as operações de manutenção, utilize peças de substituição originais do fabricante.

- Desligue e retire a bateria antes de realizar quaisquer tarefas de manutenção ou limpeza.
- Pode realizar os ajustes e reparações descritos neste manual do utilizador. Para outro tipo de reparações entre em contacto com um agente de serviço autorizado.
- Verifique todas as porcas, pregos e parafusos com intervalos frequentes para confirmar a tensão apropriada e se certificar que o produto está em condições seguras de funcionamento. Qualquer peça danificada deve ser substituída ou reparada adequadamente por um centro de serviço autorizado.
- Leve o produto a um centro de serviço autorizado para substituir as etiquetas danificadas ou ilegíveis.

RISCOS RESIDUAIS:

Mesmo quando se utiliza o produto segundo as instruções, continua a ser impossível eliminar por completo certos fatores de risco residuais. Podem surgir os seguintes riscos durante o uso e o operador deve prestar especial atenção para evitar o seguinte:

- Lesões por vibração
 - Segure o produto pelos cabos destinados para o efeito e limite o tempo de funcionamento e de exposição.
- Lesões devido ao ruído
 - Use proteção para os ouvidos e limite o tempo de exposição
- Ferimentos causados pela projecção de detritos.
 - Use sempre proteção para os olhos.

REDUÇÃO DO RISCO

Foi reportado que as vibrações das ferramentas de mão podem contribuir para uma doença designada de Síndrome de Raynaud em determinados indivíduos. Os sintomas podem incluir formigueiro, entorpecimento e empalidezimento dos dedos, habitualmente visível aquando da exposição ao frio. Estima-se que os factores hereditários, exposição ao frio e humidade, dieta,

tabagismo e práticas de trabalho contribuem todos para o desenvolvimento destes sintomas. Existem medidas que podem ser tomadas pelo operador para possivelmente reduzir os efeitos da vibração:

- Mantenha o seu corpo quente durante o tempo frio. Ao operar o produto, use luvas para manter as mãos e os pulsos quentes. Encontra-se reportado que o tempo frio é um grande factor que contribui para o Síndrome de Raynaud.
- Após cada período de operação, exercite para aumentar a circulação sanguínea.
- Faça pausas frequentes no trabalho. Limite o tempo de exposição por dia.

Caso sinta algum dos sintomas desta doença, interrompa de imediato a sua utilização e consulte o seu médico sobre estes sintomas.

⚠ ADVERTÊNCIA






O uso prolongado de uma ferramenta pode causar o agravar lesões. Ao usar qualquer ferramenta durante períodos prolongados, assegure-se que faz intervalos regulares.

CONHEÇA O SER APARELHO
Ver a página 138.

Peças

1. Gatilho de bloqueio
2. Gatilho
3. Escova de arame
4. Roda
5. Conjunto de escovas cilíndricas
6. Escova cilíndrica
7. Carregador
8. Trinco da bateria
9. Bateria
10. Botão de mudança de acessório
11. Trinco telescópico
12. Maçaneta
13. Manípulo

SÍMBOLOS NO PRODUTO

-  Leia e compreenda todas as instruções antes de manipular o produto, respeite os alertas e as instruções de segurança.
-  Usar protecção para os olhos
-  Use protecção para os ouvidos
-  Use luvas de protecção
-  Utilize calçado de segurança antideslizante quando utilizar este produto.



Não o exponha à chuva ou a condições de humidade.



Tenha cuidado com os objectos voláteis ou lançados. Mantenha todos os espectadores, especialmente crianças e animais de estimação, a pelo menos 15 m da área de funcionamento.



Conserve as mãos afastadas da zona de trabalho



Os aparelhos eléctricos antigos não devem ser eliminados juntamente com o lixo doméstico. Recicle onde existem instalações para o efeito. Verifique com as suas Autoridades Locais ou revendedor para obter informações sobre reciclagem.



Esta ferramenta obedece a todas as normas regulamentares do país da UE onde foi comprada.



Marca de conformidade EurAsian



Marca de conformidade ucraniana

As seguintes palavras de sinal e significados destinam-se a explicar os níveis de risco associados a este produto:



Indica uma situação perigosa iminente, que, se não evitada, poderá resultar em morte ou ferimentos graves.



Indica uma situação potencialmente perigosa, que, se não evitada, poderá conduzir à morte ou graves lesões.



Indica uma situação potencialmente perigosa, que, se não evitada, poderá resultar em pequenas ou moderadas lesões.



(Sem símbolo de segurança) Indica uma situação que pode provocar danos materiais.

SÍMBOLOS NESTE MANUAL



As peças ou acessórios vendem-se separadamente



Nota



Aviso



Sikkerhed, ydeevne og pålidelighed er blevet givet topprioritet i designet af din trådløse terrasserengører.

TILTÆNK ANVENDELSESFORMÅL

Denne terrasserengører er kun beregnet til at blive anvendt af voksne personer, der har læst og forstået instruktionerne og advarslerne i denne brugsvejledning, og som kan betragtes som værende ansvarlige for deres handlinger.

Produktet er kun beregnet til brug i det fri i et godt ventileret område. Produktet bruges til rengøring af flade overflader, fuger og imellem overflader udendørs, inkl. stenfliser, fliser, brolægning og træoverflader. Produktet er ikke egnet til lodret brug som husvægge og overliggende arbejde som lofter.

Må ikke bruges til andre formål.

ALMINDELIGE SIKKERHEDSREGLER FOR ELVÆRKTØJET

⚠ ADVARSEL

Læs alle omhyggeligt alle advarsler, anvisninger og specifikationer, som følger med maskinen, og studer illustrationerne. Manglende iagttagelse af samtlige nedenstående instruksur kan medføre elektrisk stød, brand og/eller alvorlige personskader.

Gem vejledningen med advarsler og anvisninger til senere opslag.

Betegnelsen "elektrisk værktøj" i de efterfølgende sikkerhedsanvisninger gælder både elektriske værktøjer, som tilsluttes lysnettet med ledning, og batteridrevne værktøjer.

SIKRE ARBEJDSOMGIVELSER

- **Sørg for at holde arbejdsstedet rent og ryddeligt og for at have godt lys til arbejdet.** Rodede eller mørke områder inviterer til ulykker.
- **Brug ikke elektriske redskaber eller værktøjer i eksplosionsfarlige omgivelser, f.eks. i nærheden af brændbare væsker, dampe eller letantændelig støv.** Gnister fra elektriske redskaber eller værktøjer kan antænde disse væsker, dampe eller støvansamlinger eller forårsage eksplosion.
- **Hold børn, tilskuere og husdyr på afstand ved arbejde med elektriske redskaber eller værktøjer.** De kan virke distraherende, så man mister kontrollen over værktøjet eller redskabet.

ELEKTRISK SIKKERHED

- **Det elektriske værktøjs stikprop skal passe til den stikkontakt, den sættes i.** Forsøg aldrig at ombygge stikproppen. Brug aldrig adaptere med elektriske redskaber eller værktøjer, som kræver jordforbindelse. Så er der mindre fare for at få elektrisk stød.
- **Undgå kontakt med jordforbundne flader (dvs. rør, radiatorer, komfurer, køleskabe o.l.).** Der er større risiko for at få elektrisk stød, hvis en del af kroppen er i berøring med en jordforbunden flade.

- **Elektriske redskaber eller værktøjer må ikke udsættes for regn eller fugt.** Faren for elektrisk stød øges, hvis der trænger vand ind i et elektrisk værktøj.
- **Hold den strømførende ledning i god stand. Løft aldrig værktøjet eller redskabet i ledningen, og træk aldrig i ledningen for at rykke stikket ud af stikkontakten.** Hold fødeledningen væk fra varmekilder, olie, genstande med skarpe kanter og elementer i bevægelse. Faren for elektrisk stød er større, hvis ledningen er beskadiget eller viklet sammen.
- **Ved arbejde udendørs må der kun anvendes forlængerledninger beregnet til udendørs brug.** Så er der mindre fare for at få elektrisk stød.
- **Hvis man ikke kan undgå at bruge værktøjet i fugtige omgivelser, skal det tilsluttes en strømforsyning beskyttet med en fejlstrømsafbryder (RCD).** Når der anvendes fejlstrømsafbryder, er der mindre fare for elektrisk stød.

PERSONLIG SIKKERHED

- **Hold opmærksomheden koncentreret om arbejdet, og brug sund fornuft, når der arbejdes med elektrisk værktøj.** Det elektriske redskab eller værktøj må aldrig bruges, hvis man er træt, påvirket af spiritus eller narkotika eller tager medicin. Glem aldrig, at man blot skal være uopmærksom en brøkdel af et sekund for at komme alvorligt til skade.
- **Brug sikkerhedsudstyr. Beskyt altid øjnene.** Alt efter forholdene skal der bruges støvmaske, skridsikre sko, hjelm eller høreværn for ikke at komme alvorligt til skade.
- **Undgå utilsigtet igangsættelse. Se efter, som start-stopknappen er på "stop", inden redskabet eller værktøjet tilsluttes en stikkontakt eller batteriet sættes i, og før redskabet eller værktøjet tages op eller flyttes.** For at forebygge ulykker må redskabet eller værktøjet ikke flyttes med fingeren på start-stopknappen, og det må heller ikke tilsluttes stikkontakten/batteriet på ikke sættes på, hvis start-stopknappen er på "start".
- **Tag spændnøglerne ud, inden værktøjet sættes i gang.** Man kan komme alvorligt til skade, hvis spændnøglen bliver siddende på en af redskabets eller værktøjets bevægelige dele.
- **Pas på ikke at tabe balancen. Fordel vægten på begge ben, og lad være med at strække armen for langt ud.** I en stabil arbejdsstilling kan man bedre styre redskabet eller værktøjet, hvis der sker noget uventet.
- **Vær klædt rigtigt til formålet. Undgå løsthængende tøj og smykker. Sørg for at holde hår og tøj på afstand af bevægelige dele.** Løsthængende tøj, smykker og langt hår kan sætte sig fast i de bevægelige dele.
- **Hvis redskabet eller værktøjet leveres med støvsugersystem, skal det monteres og anvendes korrekt.** Derved forebygges uheld og ulykker.
- **Lad ikke erfaringen fra hyppig brug af værktøjet bevirke, at du bliver for selvsikker og ignorerer sikkerhedsprincipperne for værktøjet.** En skodesløs handling kan forårsage alvorlige personskader på en brøkdel af et sekund.





EN
FR
DE
ES
IT
NL
PT
DA
SV
FI
NO
RU
PL
CS
HU
RO
LV
LT
ET
HR
SL
SK
BG
UK
TR

ANVENDELSE OG VEDLIGEHOLDELSE AF ELEKTRISKE REDSKABER OG VÆRKTØJER

- **Pres ikke værktøjet. Brug det redskab eller værktøj, der passer til opgaven.** Det elektriske redskab eller værktøj er mere effektivt og sikkert, hvis det anvendes med den hastighed, det er beregnet til.
- **Brug ikke det elektriske værktøj, hvis det ikke kan startes og standses med start-stopknappen.** Hvis redskabet eller værktøjet ikke kan tændes og slukkes rigtigt, er det farligt og skal repareres.
- **Træk stikket ud af stikkontakten, og/eller fjern batteripakken, hvis muligt, fra elværktøjet, inden du foretager justeringer, skifter tilbehør eller opbevarer elværktøjet.** Derved formindskes risikoen for, at redskabet eller værktøjet starter ved et uheld.
- **Opbevar elektrisk værktøj utilgængeligt for børn. Lad ikke andre, som ikke kender redskabet eller værktøjet, og som ikke har læst disse sikkerhedsregler, bruge det.** Elektrisk værktøj er farligt, hvis det kommer i ukendte hænder.
- **Elværktøjer og tilbehør skal vedligeholdes. Se efter, om de bevægelige dele er rettet ind. Se alle dele efter for brud. Undersøg, om alt er monteret rigtigt, og kontroller alle øvrige forhold, som kan have indflydelse på værktøjets drift.** Hvis der er beskadigede dele, skal redskabet eller værktøjet repareres inden yderligere brug. Mange uheld og ulykker skyldes forkert eller manglende vedligeholdelse af værktøj og redskaber.
- **Hold værktøjer og redskaber rene og skarpe.** Et rent og skarpt skæreværktøj eller -redskab er mindre tilbøjeligt til at sætte sig fast og lettere at styre.
- **Anvend det elektriske værktøj, tilbehøret, indsatsen m.v. i overensstemmelse med disse forskrifter, og tag ligeledes hensyn til driftsforholdene og den pågældende opgave.** For at undgå farlige situationer må det elektriske redskab eller værktøj kun anvendes til de formål, det er beregnet til.
- **Hold håndtag og gribeblader tørre, rene og fri for olie og fedt.** Glatte håndtag og gribeblader forhindrer sikker håndtering og kontrol af værktøjet i uventede situationer.

SÆRLIGE SIKKERHEDSREGLER FOR BATTERIDREVNE REDSKABER OG VÆRKTØJER

- **Oplad kun redskabets eller værktøjets batteri med den af fabrikanten anførte oplader.** En oplader beregnet til en bestemt type batteri kan forårsage brand, hvis den anvendes til en anden type batteri.
- **Der må kun anvendes en bestemt type batteri til det batteridrevne redskab eller værktøj.** Hvis der anvendes andre batterier, kan der opstå brand.
- **Når batteriet ikke er i brug, må det ikke komme i berøring med metalgenstande som papirklemmer, mønter, nøgler, skruer, søm eller andre genstande, der kan skabe forbindelse mellem batterikontakterne.** Kortslutning af batteriets kontakter kan forårsage forbrændinger eller brand.
- **Undgå berøring med batterivæsken, hvis den siver ud efter fejlagtig håndtering. Hvis det skulle ske, skylles det berørte område grundigt med rent vand.** Hvis man har fået væske i øjnene, søges også læge.

Væsketænk fra et batteri kan forårsage irritation eller forbrændinger.

- **Undlad at bruge en batteripakke, som er blevet beskadiget eller ændret.** Beskadigede eller ændrede batteripakker kan opføre sig på en uventet måde, som kan resultere i brand, eksplosion eller personskader.
- **Undlad at udsætte batteripakken eller værktøjet for brand eller høje temperaturer.** Eksponering for brand eller temperaturer over 130°C kan forårsage eksplosion.
- **Følg alle ladeinstrukser, og undlad at oplade batteripakken eller værktøjet uden for det temperaturområde, der er angivet i brugsanvisningen.** Forkert opladning eller opladning ved temperaturer uden for det angivne område kan ødelægge batteriet og øge risikoen for brand.

VEDLIGEHOLDELSE

- **Reparationer skal overlades til en fagmand, som udelukkende anvender originale reservedele.** Derefter kan det elektriske redskab eller værktøj igen bruges sikkert.
- **Forsøg aldrig selv at reparere beskadigede batteripakker.** Batteripakker må kun repareres af producenten eller af autoriserede serviceudbydere.

GENERELLE SIKKERHEDSADVARSLER

⚠ ADVARSEL

Læs alle omhyggeligt alle advarsler, anvisninger og specifikationer, som følger med maskinen, og studer illustrationerne. Manglende overholdelse af advarselne og anvisningerne kan medføre elektrisk stød, brand og/eller alvorlige personskader.

⚠ ADVARSEL

Når produktet anvendes, skal sikkerhedsreglerne efterleves. Af hensyn til egen og andres sikkerhed skal man læse denne brugsanvisning, inden produktet anvendes. Disse sikkerhedsregler skal opbevares med henblik på senere brug.

⚠ ADVARSEL

Produktet er ikke beregnet til at blive benyttet af børn eller personer med nedsatte fysiske, mentale eller sensoriske evner. Børn bør holdes under tilstrækkelig opsyn, så man er sikker på, at de ikke leger med produktet.

⚠ ADVARSEL

Nogle områder har regler, som begrænser brugen af produktet. Forhør dig hos de lokale myndigheder.

UDDANNELSE

- **Læs brugsanvisningen omhyggeligt. Sørg for at blive fortrolig med betjeningselementerne samt korrekt brug af produktet.**





- Lad aldrig børn eller personer uden kendskab til denne brugsanvisning bruge produktet. Lokale love kan have indflydelse på den tilladte brugerage.
- Tilskuere, børn og kæledyr skal have en sikkerhedsafstand på mindst 15 m til arbejdsområdet. Stop produktet, hvis uvedkommende kommer ind i området.
- Du må aldrig bruge produktet, når du er træt, syg eller under påvirkning af alkohol, narkotika eller medicin.
- Husk det er brugeren selv der er ansvarlig for ulykker eller farer andre folk bliver udsat for.

FORBEREDELSE

- Benyt fuldt øjen- og høreværn under arbejde med dette produkt. Hvis der arbejdes i et område med fare for nedfaldende genstande, skal der bæres hovedværn.
- Øreværn kan nedsætte operatørens evne til at høre advarselslyde. Vær særligt opmærksom på potentielle faremomenter omkring og i arbejdsområdet
- Bær kraftige, lange bukser, støvler og handsker. Undlad at bære løstsiddende tøj, korte bukser, smykker af enhver art eller gå barfodet.
- Langt hår skal bindes op over skulderniveau, så det ikke risikerer at vikle sig ind i bevægelige dele.
- Inden ibrugtagning og efter enhver ydre påvirkning skal man kontrollere, at der ikke findes beskadigede dele. En defekt kontakt eller en del, som er blevet beskadiget eller slidt, skal repareres ordentligt eller udskiftes på et autoriseret serviceværksted.
- Kontroller, at rengøringsstilbehør er installeret korrekt og er forvarligt fastgjort.
- Produktet må aldrig benyttes, før alle skærme, deflektorer og håndtag er fastgjort ordentligt og sikkert.
- Overvej grundigt hvilken type arbejdsmiljø du befinder dig i. Hold arbejdsområdet ryddet for ledninger, pinde, sten og affald, som ved kontakt med klipperen kan blive til udslyngede genstande.

BRUG OG PLEJE AF BATTERIVÆRKTØJ

- Opladning må kun finde sted med den af producenten foreskrevne oplader. En oplader, der er beregnet til én type batteri, kan udgøre en brandrisiko, hvis den bruges til en anden batteritype.
- Brug kun elværktøjer sammen med specifikt godkendte batterier. Brug af andre batterityper kan medføre fare for personskade og brand.
- Når batteriet ikke bruges, må det ikke opbevares sammen med metalgenstande som fx papirclips, mønter, nøgler, søm, skruer eller andre metalgenstande, som kan skabe forbindelse mellem batteriets poler. Hvis batteriets poler kortsluttes, kan det forårsage forbrændinger eller ildebrand.
- Hvis batteriet misbruges, kan der sprøjte væske ud af det; undgå kontakt med batterivæsken. Ved kontakt med batterivæsken skylles med vand. Hvis der kommer væske i øjnene, søges desuden læge. Udsprøjtet batterivæske kan forårsage irritation eller forbrændinger.

SIKKERHEDSADVARSLER FOR LEDNINGSFRI TERRASSERENSER

- Produktet må aldrig benyttes af børn, personer med begrænsede fysiske, sensoriske eller mentale evner eller manglende erfaring og viden, eller af folk, der ikke er fortrolige med denne brugsanvisning.
- Anvend produktet i dagslys eller godt kunstigt lys.
- Sørg altid for godt fodfæste og balance, og vær sikker på godt fodfæste på skråninger.
- Undgå at gå baglæns under brug af produktet.
- Gå, løb aldrig.
- Hold hovedtilbehøret under livniveau.
- Brug aldrig produktet med beskadigede skærme eller uden påmonterede skærme.
- Hold altid hænder og fødder på afstand af rengøringsmidler, især ved tænding af motoren.
- Brug aldrig produktet med beskadigede skærme eller uden påmonterede skærme.
- Sluk for strømmen, og fjern batteripakken. Kontrollér, at alle bevægelige dele er standset fuldstændigt:
 - før betjening
 - før du går fra produktet
 - før rydning af en blokering
 - inden kontrol, rengøring eller arbejde på produktet
 - før der skiftes tilbehør
 - efter at have ramt et fremmedelement
 - under vedligeholdelse
 - hvis produktet begynder at vibrere unormalt
- Benyt fuldt øjen- og høreværn under arbejde med dette produkt. Hvis der arbejdes i et område med fare for nedfaldende genstande, skal der bæres hovedværn.
- Øreværn kan nedsætte operatørens evne til at høre advarselslyde. Vær særligt opmærksom på potentielle faremomenter omkring og i arbejdsområdet
- Langt hår skal bindes op over skulderniveau, så det ikke risikerer at vikle sig ind i bevægelige dele.
- Sørg altid for, at ventilationsåbningerne er fri for affald.
- Inden ibrugtagning og efter enhver ydre påvirkning skal man kontrollere, at der ikke findes beskadigede dele. En defekt kontakt eller en del, som er blevet beskadiget, skal repareres ordentligt eller udskiftes på et autoriseret serviceværksted.
- Undgå at ændre ved maskinen på nogen måde; dette kan øge risikoen for at skade sig selv eller andre.
- Sluk med det samme, og fjern batteripakken i tilfælde af en ulykke eller et nedbrud. Betjen ikke produktet igen, før det er blevet kontrolleret fuldstændigt af et godkendt servicecenter.
- Test altid produktet på materialet, der skal rengøres, inden start på fuld drift.



YDERLIGERE SIKKERHEDSADVARSLER OM BATTERI

⚠ ADVARSEL

For at undgå risiko for brand, kvæstelser eller beskadigelse af produktet forårsaget af kortslutning må værktøjet, batteripakken eller opladeren ikke nedsænkes i vand. Sørg ligeledes for, at der ikke trænger væske ind i enhederne og batterierne. Korroderende eller ledende væsker, f.eks. saltvand, bestemte kemikalier, blegestoffer eller produkter, som indeholder blegestoffer, kan forårsage kortslutning.

TRANSPORT OG OPBEVARING

- Stop produktet, fjern batteriet, og lad det køle af inden opbevaring eller transport.
- Afrens alle fremmedlegemer fra produktet.
- Produktet må ikke opbevares eller transporteres med batterier i, de skal fjernes og opbevares separat. Opbevar den på et køligt, tørt og godt ventileret sted utilgængeligt for børn. Opbevar motorsaven på afstand af ætsende midler som f.eks. havekemikalier og opåtningsalt. Må ikke opbevares udendørs.
- Opbevar produktet utilgængeligt for børn.
- Til transport skal man sikre produktet, så den ikke kan bevæge sig eller vælte; dette for at forebygge personskader eller skader på produktet.

TRANSPORT AF LITHIUM-BATTERIER

Batterier skal transporteres i henhold til lokale og nationale forskrifter og love. Når batterier skal transporteres af tredjepart, skal alle specielle krav til emballering og mærkning efterleves.

Man skal sikre sig, at ingen batterier kan komme i kontakt med andre batterier eller ledende materialer under transporten ved at beskytte blottede konnektorer med isolerende, ikke-ledende hætter eller tape. Undlad at transportere batterier med revner eller utætheder. Rådfør dig desuden hos spedtøren.

VEDLIGEHOLDELSE

⚠ ADVARSEL

Brug kun originale reservedele, ekstraudstyr og tilbehør fra producenten. I modsat fald er der fare for personskader, dårlig maskinydelse og annullering af garantien.

⚠ ADVARSEL

Vedligeholdelse kræver stor omhyggelighed og viden og kun bør udføres af en kvalificeret tekniker. Lad kun en autoriseret serviceværksted servicere produktet. Brug kun originale reservedele fra maskinproducenten i forbindelse med servicearbejde.

- Sluk og fjern batteripakken, før der foretages vedligeholdelse eller rengøring.
- Du kan lave justeringer og reparationer beskrevet i denne brugervejledning. Til andre reparationsopgaver skal man kontakte den autoriserede servicemontør.
- Tjek ofte alle møtrikker, bolte og skruer om de sidder godt fast, og sørg for at produktet fungerer ordentligt. Enhver del, som bliver beskadiget, skal repareres ordentligt eller udskiftes på et autoriseret servicecenter.
- Indlevér produktet på et autoriseret servicecenter for at få udskiftet beskadigede eller ulæselige mærkater.

UUNDGÆLIGE RISICI

Selv om produktet anvendes som foreskrevet, er det stadig umuligt at eliminere visse uundgåelige risikofaktorer fuldstændigt. Følgende risici kan opstå under brug, og operatøren bør være særligt opmærksom for at undgå følgende:

- Personskader forårsaget af vibration
 - Hold produktet i de hertil indrettede håndtag, og begræns arbejdstiden og eksponeringen.
- Personskader forårsaget af støj
 - Benyt høreværn, og begræns eksponering
- Kvæstelse forårsaget af flyvende haveaffald.
 - Der skal altid benyttes øjenværn.

RISIKOREDUKTION

Der er rapporteret om, at vibrationer fra håndholdte værktøjer kan være medvirkende til en lidelse kaldet Raynauds syndrom hos visse personer. Symptomerne herpå kan være prikken, følelseløshed og blegning af fingrene, der normalt viser sig ved kuldepåvirkning. Faktorer som arvelighed, udsættelse for kulde og fugt, kost, rygning og arbejdsvaner menes alle at medvirke til udviklingen af disse symptomer. Der findes forholdsregler, som operatøren kan træffe for at begrænse påvirkningen fra vibrationer:

- Hold kroppen varm i koldt vejr. Brug handsker, så hænder og vrister holdes varme under arbejdet. Der er rapporteret om, at koldt vejr er en væsentlig faktor til Raynauds syndrom.
- Motionér efter hver arbejdsperiode for at øge blodcirkulationen.
- Hold hyppige arbejdspauser. Begræns eksponeringen for vibrationer pr. dag.

Hvis du mærker nogen af symptomerne på denne tilstand, skal du straks ophøre med arbejdet og søge læge.

⚠ ADVARSEL

Længere tids brug af et værktøj kan forårsage - eller forværrer - personskader. Når man bruger et værktøj i længere perioder ad gangen, skal man huske at holde hyppige pauser.

KEND PRODUKTET

Se side 138.

Dele

1. Låseaktivering
2. Udløser
3. Stålbørste
4. Hjul
5. Rullebørsteenhed
6. Rullebørste
7. Oplader
8. Batteripal
9. Batteri
10. Udstyrsskifteknop
11. Teleskoplås
12. Knap
13. Håndtag

SYMBOLER PÅ PRODUKTET



Alle vejledninger skal læses og forstås, inden produktet benyttes; følg alle advarsler og sikkerhedsinstrukser.



Benyt øjenværn



Bær høreværn



Benyt beskyttelseshandsker



Benyt skridsikkert sikkerhedsfodtøj, når produktet anvendes.



Må ikke udsættes for regn eller bruges på fugtige steder.



Pas på udslyngede eller flyvende objekter. Sørg for, at tilskuere (især børn og dyr) er mindst 15 m fra arbejdsområdet.



Hold hænderne på afstand



Elektriske affaldsprodukter bør ikke afskaffes sammen med husholdningsaffald. Genbrug venligst hvor faciliteterne tillader dette. Tjek med din lokale kommune eller forhandler for genbrugsråd.



Dette redskab overholder alle lovkrav og standarder i det EU-land, hvor det er købt.



EurAsian overensstemmelsesmærke



Ukrainsk overensstemmelsesmærke

Formålet med nedenstående signalord og betydninger er at tydeliggøre risikoniveauet i forbindelse med produktet:



FARE

Indikerer en meget farlig situation, som hvis ikke undgås, kan føre til alvorlige skader og i værste fald døden.



ADVARSEL

Indikerer en potentielt farlig situation, som hvis ikke undgås, kan føre til alvorlige skader og i værste fald døden.



PAS PÅ

Indikerer en potentielt farlig situation, som hvis ikke undgås, kan føre til mindre eller moderate skader.

PAS PÅ

(Uden sikkerhedssymbol) indikerer en situation som kan føre til skade af personlig ejendom.

SYMBOLER I DENNE BRUGSANVISNING



Dele eller tilbehør, der sælges separat



Bemærk



Advarsel



Säkerhet, prestanda och pålitlighet har fått högsta prioritet vid utformningen av din sladdlösa borst rengörare.

ANVÄNDNINGSMÅL

Borst rengöraren är endast avsedd för vuxna användare som har läst och förstått instruktionerna och varningarna i denna manual, och som kan anses vara ansvariga för sina handlingar.

Produkten är enbart avsedd för utomhusbruk på väl ventilerade områden. Produkten används för att rengöra jämna ytor, skarvar och mellanytor utomhus, inklusive stenhäll, kakelplattor, gatsten och trätor. Produkten är inte lämplig för mångsidig användning, såsom husväggar och överliggande arbeten som innertak.

Får ej användas för annat ändamål.

ALLMÄNNA SÄKERHETS FÖRESKRIFTER FÖR MASKINVERKTYG

⚠ VARNING

Läs uppmärksam alla varningar, instruktioner och specifikationer som bifogas med detta verktyg och studera bilderna. Om inte alla instruktioner som listas här beaktas kan konsekvensen bli elektriska stötar, brand och/eller allvarliga skador.

Spara dessa varningar och instruktioner för senare behov.

Termen "elektriskt verktyg" som används i nedanstående säkerhetsföreskrifter används både om elektriska verktyg som ansluts till nätet och om sladdlösa elektriska verktyg.

SÄKERHET PÅ ARBETSPLATSEN

- Se till att arbetsutrymmet är rent och har en tillräcklig belysning. Skräpiga och mörka utrymmen inbjuder till olyckor.
- Använd inte elektriska verktyg i explosiv miljö, t. ex. i närheten av lättantändliga vätskor, gaser eller damm. Gnistor från elektriska verktyg kan sätta eld på dem eller få dem att explodera.
- Håll barn, besökare och husdjur på avstånd när du använder ett elektriskt verktyg. De kan störa dig och få dig att förlora kontrollen över verktyget.

ELEKTRISK SÄKERHET

- Det elektriska verktygets stickkontakt skall vara anpassad till uttaget. Gör aldrig några ingrepp på stickkontakten. Använd aldrig en adapter med jordade elektriska verktyg. Du minskar därmed riskerna för elektriska stötar.
- Undvik all kontakt med jordade ytor (som t. ex. rör, värmelement, spisar, kylskåp, etc.). Riskerna för elektriska stötar ökar, om någon kroppsdel är i kontakt med jordade ytor eller med jordförbindelsen.
- Utsätt inte elektriska verktyg för regn eller fukt. Riskerna för elstöt ökar, om vatten tränger in i ett elektriskt verktyg.
- Se till att nätsladden alltid är i gott skick. Håll inte i verktyget i sladden och dra inte i verktyget eller i sladden för att koppla ur det. Håll nätsladden på avstånd från värmekällor, olja, vassa föremål och

rörliga delar. Riskerna för elektriska stötar ökar om nätsladden är skadad eller tilltrasslad.

- Vid arbete utomhus skall du använda endast förlängningsladdar avsedda för utomhusanvändning. Du minskar därmed riskerna för elektriska stötar.
- Om du är absolut tvungen att använda ditt verktyg i en fuktig omgivning, anslut det till ett eluttag som skyddas av en brytare för differentialström (RCD). Användning av en RCD-anordning begränsar riskerna för elektriska stötar.

PERSONLIG SÄKERHET

- Var vaksam, titta på vad du gör och använd ditt sunda förnuft när du använder ett elektriskt verktyg. Använd inte verktyget om du är trött, påverkad av alkohol eller droger eller om du tar mediciner. Glöm inte att om du är uppmärksam bara bråkdelen av en sekund kan du skada dig allvarligt.
- Använd skyddsanordningar. Skydda alltid ögonen. Beroende på arbetsförhållandena bör du även använda en skyddsmask mot damm, halksäkra skor, en skyddshjälm eller hörselskydd för att undvika risker för allvarliga kroppsskador.
- Undvik oavsiktlig igångsättning. Kontrollera att strömbrytaren är ställd på "av" innan du ansluter verktyget till ett uttag och/eller lägger i batteriet, liksom då du tar eller transporterar verktyget. För att undvika risker för olyckor skall du inte bära omkring verktyget med fingret på avtryckaren och inte ansluta det om strömbrytaren är i påslaget läge.
- Plocka bort spännycklarna innan du sätter i gång verktyget. En spännyckel som är fäst i en rörlig del av verktyget kan försaka allvarliga kroppsskador.
- Se till att du alltid håller balansen. Stå stadigt på båda benen och sträck inte ut armen för långt. En stabil arbetsposition gör att man bättre kan kontrollera sitt verktyg, om någonting oförutsett händer.
- Använd lämpliga kläder. Ha inte lösa kläder eller smycken. Håll hår och kläder på avstånd från rörliga delar. Lösa kläder, smycken och långt hår kan fastna i rörliga delar.
- Om verktyget levereras med en anordning som suger upp damm, skall du se till att den monteras och används på rätt sätt. Du minskar därmed riskerna för olyckor.
- Även om du har god kännedom och lång erfarenhet i fråga om verktygsanvändning, kom ihåg att beakta alla säkerhetsprinciper för verktygsanvändning. Ansvarslöst beteende kan leda till allvarliga olyckor på bråkdelen av en sekund.

ANVÄNDNING OCH UNDERHÅLL AV ELEKTRISKA VERKTYG

- Kör inte verktyget för hårt. Använd ett verktyg som är anpassat till det arbete du vill utföra. Verktyget är effektivare och säkrare om det används med den hastighet som det är konstruerat för.
- Använd inte ett elektriskt verktyg, om det inte går att sätta i gång det och stoppa det med strömbrytaren. Ett verktyg som inte kan sättas på och stängas av korrekt är farligt och måste absolut repareras.
- Koppla ur kontakten ur strömkällan och/eller





plocka ut batteriet, om borttagbart, ur det eldrivna verktyget före eventuella justeringar, byte av tillbehör eller vid förvaring av eldrivna verktyg. Du minskar då riskerna för oläglig ingångsättning av verktyget.

- **Förvara elektriska verktyg utom räckhåll för barn. Låt inte personer som inte känner till verktyget eller inte har tagit del av dessa säkerhetsföreskrifter använda det.** Elektriska verktyg är farliga i händerna på ovana personer.
- **Underhåll av eldrivna verktyg och tillbehör. Kontrollera att ingen del är skadad. Kontrollera monteringen och alla andra delar som kan påverka verktygets funktion.** Om någon del är skadad, låt reparera verktyget innan du använder det. Många olyckor beror på en slarvig skötsel av verktygen.
- **Kom ihåg att hålla verktygen rena och vässade.** Ett väl slipat och rent skärverktyg riskerar mindre att blockeras och du kan då kontrollera det bättre.
- **Använd ditt elektriska verktyg, dess tillbehör, bits, osv. enligt dessa föreskrifter och ta hänsyn till användningsförhållandena och önskade tillämpningar.** Använd ditt elektriska verktyg endast för arbeten till vilka det är anpassat, för att undvika farliga situationer.
- **Håll handtag och greppytor torra, rena och fria från olja och fett.** Håll handtag och greppytor borgar inte för säker hantering av och kontroll över verktyget i oväntade situationer.

VIKTIGA SÄKERHETSFÖRESKRIFTER FÖR SLADDLÖSA VERKTYG

- **Ladda upp batteriet i ditt verktyg endast med den laddare som anges av fabrikanten.** En laddare som är anpassad till en viss typ av batteri kan förorsaka brand, om den används med batterier av en annan typ.
- **Endast en särskild typ av batteri får användas med ett sladdlöst verktyg.** Användning av andra slags batterier kan förorsaka brand.
- **Då batteriet inte används ska det hållas på avstånd från metallföremål som t. ex. gem, mynt, nycklar, skruvar, spikar eller andra föremål som kan förbinda kontakter sinsemellan.** Kortslutning av batteripolerna kan förorsaka brännskador eller brand.
- **Undvik all kontakt med batterivätska, i händelse av läcka från batteriet p.g.a. en felaktig användning. Om detta ändå händer, skölj omedelbart det berörda området med en stor mängd rent vatten.** Om du får vätska i ögonen, sök även läkarhjälp. Vätska som strömmar ut ur ett batteri kan förorsaka irritationer eller brännskador.
- **Använd inte ett batteri eller verktyg som är skadat eller modifierat.** Skadade eller modifierade batterier kan uppvisa oförutsägbara egenskaper som kan leda till brand, explosion eller risk för skador.
- **Utsätt inte ett batteri eller verktyg för eld eller för höga temperaturer.** Exponering för brand eller temperaturer över 130°C kan orsaka explosion.
- **Följ alla laddningsinstruktioner och ladda inte batteriet eller verktyget utöver det temperaturintervall som anges i anvisningarna.** Felaktig laddning eller laddning utöver det angivna intervallet kan skada batteriet och öka brandrisken.

UNDERHÅLL

- **Alla reparationer måste utföras av en kompetent tekniker, som använder endast ursprungliga reservdelar.** Du kan då använda ditt elektriska verktyg i all trygghet.
- **Utför aldrig service på ett skadat batteri.** Service på batterier får bara utföras av tillverkaren eller auktoriserade serviceleverantörer.

ALLMÄNNA SÄKERHETSFÖRESKRIFTER

⚠ VARNING

Studera alla säkerhetsvarningar och -instruktioner, illustrationer och specifikationer som följer med denna produkt. Om du inte följer varningarna och anvisningarna kan du orsaka elektrisk stöt, brand och allvarlig skada.

⚠ VARNING

När man använder apparaten måste säkerhetsföreskrifterna följas För din egen, och andra närvarandes säkerhet, läs alltid dessa instruktioner innan du använder produkten Förvara instruktionerna på säker plats.

⚠ VARNING

Produkten är inte avsedd för användning av barn eller personer med fysiska, mentala eller emotionella funktionshinder. Barn ska alltid övervakas så att de inte leker med produkten.

⚠ VARNING

I vissa regioner finns regleringar som begränsar användning av produkten. Ta kontakt med lokala myndigheter för information.

UTBILDNING

- Läs igenom instruktionerna noga. Bekanta dig med reglerna och rätt användning av produkten.
- Låt aldrig barn eller personer som inte känner till dessa instruktioner använda maskinen. Lokala regler kan åldersbegränsa användningen av gräsklipparen.
- Håll åskådare, barn och husdjur på minst 15 meters avstånd. Stoppa produkten om någon kommer i närheten.
- Använd aldrig produkten om du är trött, sjuk eller påverkad av alkohol, droger eller medicin.
- Kom ihåg att användaren är ansvarig för olyckor och faror som uppstår för andra människor och deras egendom.

FÖRBEREDELSE

- Använd alltid ögon- och hörselskydd vid användning av produkten. Skyddshjälm ska användas på platser där det finns risk för fallande föremål.





EN
FR
DE
ES
IT
NL
PT
DA
SV
FI
NO
RU
PL
CS
HU
RO
LV
LT
ET
HR
SL
SK
BG
UK
TR

- Hörselskydd kan begränsa användarens möjlighet att höra varningsljud. Var extra uppmärksam på eventuella risker i och kring arbetsområdet.
- Bär grova, långa byxor, stövlar och handskar. Bär inte löst sittande kläder, korta byxor eller smycken. Ha skor på fötterna.
- Sätt upp hår som är längre än till axlarna så att det inte trasslas in i rörliga delar.
- Kontrollera före användning och efter påverkan att det inte finns några skadade delar. Ett defekt reglage eller någon del som är skadad eller sliten ska repareras eller ersättas av godkänt servicecenter.
- Säkerställ att rengöringstillbehöret är korrekt installerat och ordentligt fäst.
- Använd inte maskinen om inte alla skydd, avvisare och handtag är korrekt och ordentligt monterade.
- Tänk på vilken omgivning du arbetar i. Håll arbetsområdet fritt från vajrar, pinnar, stenar och skräp som kan träffas och flyga iväg.

ANVÄNDNING OCH UNDERHÅLL AV BATTERIET

- Använd endast den batteriladdare som tillverkaren rekommenderar. En batteriladdare som passar en typ av batteripack kan vara en brandfara om den används med en annan typ av batteripack.
- Använd eldrivna verktyg med batteripaket som är speciellt utformade för användning tillsammans med produkterna. Om du använder andra batteripaket ökar du risken för skador och brand.
- När batteripaketet inte används ska det hållas bort från metallföremål som gem, mynt, nycklar, spikar, skruvar och andra små metallföremål som kan kortsluta batteriets kontakter. Vid kortslutning av batteriets kontakter finns det risk för brännskador eller brand.
- Vätska kan läcka ut från batteripaketet vid felaktig användning; undvik kontakt med vätskan. Spola med vatten om du kommer i kontakt med den. Uppsök omedelbart läkarhjälp om du får vätska i ögonen. Den kan orsaka irritation och brännskador.

SÄKERHETSVARNINGAR FÖR SLADDLÖS BORSTRENGÖRARE

- Se till att barn eller personer med nedsatt fysisk eller psykisk förmåga, eller personer som inte är erfarna eller inte bekanta med dessa instruktioner aldrig använder produkten.
- Använd produkten i dagsljus eller bra konstgjort ljus.
- Behåll korrekt fotgrepp och balans vid alla tillfällen och se till att ha korrekt fotgrepp på slutningar.
- Gå inte baklänges när produkten används.
- Gå. Spring aldrig.
- Håll huvudtillbehöret under midjenivå.
- Använd aldrig produkten med skadade skydd eller utan skydd.
- Håll händer och fötter borta från rengöringsmekanismen vid alla tillfällen och särskilt vid påslagning av motorn.
- Använd aldrig produkten med skadade skydd eller utan skydd.

- Stäng av strömmen och plocka ur batteripaketet. Se till att samtliga rörliga delar har stannat helt:
 - före service
 - innan produkten lämnas utan uppsikt
 - före rensning av en blockering
 - före kontroll av, rengöring av eller arbete med produkten
 - före byte av tillbehör
 - efter kollision med ett främmande föremål
 - alltid när underhåll utförs
 - när maskinen börjar vibrera onormalt
- Använd alltid ögon- och hörselskydd vid användning av produkten. Skyddshjälm ska användas på platser där det finns risk för fallande föremål.
- Hörselskydd kan begränsa användarens möjlighet att höra varningsljud. Var extra uppmärksam på eventuella risker i och kring arbetsområdet.
- Sätt upp hår som är längre än till axlarna så att det inte trasslas in i rörliga delar.
- Säkerställ alltid att ventilationshålen är öppna och fria från smuts.
- Kontrollera före användning och efter påverkan att det inte finns några skadade delar. En defekt omkopplare eller någon del som är skadad skall repareras ordentligt eller bytas ut hos en auktoriserad servicefirma.
- Modifiera inte maskinen på något sätt, det kan öka risken för skador på dig själv eller andra.
- Stäng omedelbart av produkten och plocka ur batteripaketet vid olycksfall eller fel. Använd inte produkten igen innan den har kontrollerats i sin helhet av en auktoriserad serviceverkstad.
- Testa alltid produkten på materialet som ska rengöras före du startar full drift.

YTTERLIGARE SÄKERHETSVARNINGAR FÖR BATTERIER

⚠ VARNING

För att undvika den fara för brand, personskador eller produktskador som orsakas av en kortslutning, doppa inte ner verktyget, utbytesbatteriet eller laddaren i vätskor och se till att ingen vätska kan tränga in i apparaterna eller batterierna. Korroderande eller ledande vätskor, som saltvatten, vissa kemikalier, blekningsmedel eller produkter som innehåller blekmedel, kan orsaka en kortslutning.

TRANSPORT OCH FÖRVARING

- Stoppa produkten, ta ur batteriet och låt svalna före transport eller förvaring.
- Ta bort allt främmande material från produkten.
- Förvara eller transportera inte produkten med batterierna i, ta bort och säkra separat. Förvara den svalt och välventilerat på en plats där barn inte kan komma åt den. Förvara på avstånd från frätande medel, t.ex. trädgårdskemikalier och vägsalt. Förvara den inte utomhus.



- Se till att produkten är utom räckhåll för barn.
- Vid transport ska produkten säkras mot rörelser eller fallande för att förhindra personskador eller att produkten skadas.

TRANSPORTERA LITIUMBATTERIER

Transportera batterier enligt lokala och nationella riktlinjer och regleringar. Följ alla särskilda krav på förpackning och etikettering vid transport av batterier som utförs av tredje part.

Se till att inga batterier kan komma i kontakt med andra batterier eller ledande material under transporten genom att skydda exponerade kontaktytor med isolerande, icke ledande överdrag eller tejp. Transportera aldrig batterier som har spruckit eller som läcker. Kontrollera med det transporterande företaget för vidare rådgivning.

UNDERHÅLL

⚠ VARNING

Använd enbart ersättningsdelar och tillbehör från tillverkaren. Om inte kan det eventuellt orsaka skador, sämre resultat och kan upphäva garantin.

⚠ VARNING

Att serva produkten kräver extrem försiktighet och kunskap och bör endast utföras av en kvalificerad servicetekniker. Produkten får endast repareras på ett auktoriserat servicecenter. Under servicearbete ska enbart tillverkarens originaltillbehör användas.

- Stäng av strömmen och plocka ur batteripaketet före eventuellt underhåll eller rengöringsarbete.
- Du kan göra de justeringar och reparationer som beskrivs i den här manualen. För alla andra reparationer ska godkänt servicecenter kontaktas.
- För att vara säker på att produkten är säker att använda, kontrollera alla muttrar, bultar och skruvar regelbundet för att säkerställa att de är åtdragna ordentligt. Skadade delar skall repareras ordentligt eller bytas ut av en auktoriserad servicefirma.
- Lämna produkten till auktoriserat servicecenter för utbyte av skadade eller oläsbara etiketter.

KVARSTÅENDE RISKER

Även om produkten används enligt instruktionerna går det inte att eliminera alla eventuella riskfaktorer. Följande risker kan uppstå vid användning och operatören ska vara extra uppmärksam för att undvika följande:

- Skada orsakad av vibration
 - Håll produkten i de avsedda handtagen och begränsa arbetstid och exponering.
- Skador orsakade av damm
 - Använd hörselskydd och begränsa exponeringen
- Olycka orsakad av flygande skräp.
 - Använd alltid lämpligt ögonskydd.

RISKMINSKNING

Det finns rapporter om att vibrationer från handhållna verktyg kan bidra till ett tillstånd som kallas Raynauds syndrom för vissa personer. Symptomen brukar vara att det sticker i fingrarna och att de domnar bort; fingrarna kan också bli vita, särskilt vid kyla. Årftliga faktorer, kyla och fukt, diet, rökning och arbetsrutiner tros alla bidra till att orsaka dessa symptom. Det finns förebyggande åtgärder som du kan vidta för att försöka minska vibrationernas påverkan:

- Håll dig varm när du arbetar i kallt väder. Använd handskar för att hålla händer och handleder varma under användning. Kyla har rapporterats som en viktig del i utvecklandet av Raynauds syndrom.
- Träna och rör på dig efter varje användningstillfälle för att öka blodcirkulationen.
- Ta ofta pauser från arbetet. Begränsa tiden du utsätter dig varje dag.

Upphör omedelbart om du upplever några av dessa symptom och uppsök din läkare.

⚠ VARNING

Risk för person- eller slitageskador vid användning av verktyget under lång tid. Om verktyget används under längre perioder krävs regelbundna pauser.

LÄR KÄNNA PRODUKTEN

Se sida 138.

Delar

1. Läsutlösare
2. Avtryckare
3. Stålborste
4. Hjul
5. Montering av rullborste
6. Rullborste
7. Batteriladdare
8. Batterilås
9. Batteri
10. Ändringknapp för tillbehör
11. Teleskoplås
12. Knopp
13. Handtag

SYMBOLER PÅ PRODUKTEN



Läs igenom och var införstådd med alla instruktioner före användning av produkten, var uppmärksam på alla varningar och säkerhetsinstruktioner.



Bär ögonskydd



Använd hörselskydd



Bär skyddshandskar



Bär halkskyddade säkerhetsskor när du använder produkten.



Utsätt inte för regn eller våta omgivningar.



Se upp med kringkastade eller flygande föremål. Håll alla åskådare, barn och husdjur på minst 15 meters avstånd från arbetsområdet.



Håll händerna borta



Gamla elektroniska produkter ska inte kastas med hushållssoporna. Återvinn där sådana faciliteter finns. Kontrollera med din lokala myndighet eller säljaren för att få återvinningstips.



Detta verktyg uppfyller alla standarder i de EU-länder där det kan köpas.



EurAsian överensstämmelsesymbol



Ukrainskt märke för överensstämmelse

Följande signalord och betydelser är avsedda att beskriva risknivåer associerade med produkten:



FARA

Indikerar en överhängande farlig situation som kan, om den inte undviks, resultera i dödsfall eller allvarlig skada.



VARNING

Indikerar en potentiellt farlig situation som kan, om den inte undviks, resultera i dödsfall eller allvarlig skada.



PÅMINNELSE

Indikerar en potentiellt farlig situation som kan, om den inte undviks, resultera i mindre eller medelstora skador.

PÅMINNELSE

(Utan säkerhetssymbolen) Indikerar en situation som kan leda till egendomsskada.

SYMBOLER I MANUALEN



Delar och utrustning säljs separat



Notera



Varning

Turvallisuus, tehokkuus ja käyttövarmuus ovat akkukäyttöisen pationpuhdistajamme tärkeimpiä ominaisuuksia.

KÄYTTÖTARKOITUS

Pationpuhdistaja on suunniteltu ainoastaan aikuisten käytettäväksi, käyttäjien tulee lukea ja ymmärtää tämän käyttöoppaan ohjeet ja varoitukset, ja heitä on voitava pitää vastuullisina tekemisistään.

Tuote on tarkoitettu ainoastaan ulkokäyttöön hyvin tuulettuilla alueilla. Laitteen käyttökohteita ovat tasaiset pinnat, liitokset, ulkotilojen välialueet, kuten kivilaatat, keraamiset laatat ja katukivet, sekä puupinnat. Laitte ei sovellu pystysuorille pinnoille, kuten seinille, ei myöskään pään yläpuolisten pintojen, kuten katon, puhdistamiseen. Älä käytä muihin tarkoituksiin.

YLEISET SÄHKÖTYÖKALUJEN TURVALLISUUSVAROITUKSET

VAROITUS

Lue tarkkaavaisesti kaikki tämän työkalun kanssa toimitetut varoitukset, ohjeet ja spesifikaatiot, ja katso lisäksi kuvat. Seuraavassa lueteltujen ohjeiden laiminlyönti saattaa johtaa sähköiskuun, tulipaloon ja/tai vakavaan henkilövammaan.

Säilytä nämä varoitukset ja ohjeet myöhemmä tarvetta varten.

Turvallisuusohjeissa käytetty "sähkötyökalu" termi tarkoittaa sekä verkkovirtaan kytkettäviä että johdottomia työkaluja.

TYÖSKENTELYALUEEN TURVALLISUUS

- Pidä työskentelyalue puhtaana ja hyvin valaistuna. Epäjärjestyksessä olevat ja pimeät alueet myötävaikuttavat onnettomuuksiin.
- Älä käytä sähkötyökaluja räjähdysvaarallisessa ympäristössä, kuten helposti syttyvien nesteiden, kaasun tai pölyn läheisyydessä. Sähkötyökaluista lähtevät kipinät voivat sytyttää ne palamaan tai räjäyttää ne.
- Pidä lapset, ulkopuoliset ja kotieläimet syrjässä, kun työskentelet sähkötyökaluilla. Vaarana on huomion pois kääntyminen ja työkalun hallinnan menettäminen.

SÄHKÖTURVALLISUUS

- Sähkötyökalun pistokkeen on sovelluttava pistokyttimeen. Älä koskaan korjaa pistoketta. Älä koskaan käytä sovitinta maadoitettujen sähkötyökalujen kanssa. Vältä sähköiskuvaaran.
- Älä koske maadoitettuihin pintoihin (putket, lämpöpatterit, liedet, jääkaapit jne.). Sähköiskuvaara kasvaa, jos joku ruumiinosa on kosketuksessa maadoitettuihin pintoihin.
- Älä jätä sähkötyökalua sateeseen tai kosteaan paikkaan. Sähköiskuvaara kasvaa, jos sähkötyökalun sisäosiin pääsee vettä.
- Pidä liitäntäjohto hyväkuntoisena. Älä koskaan

pidä työkalua liitäntäjohtosta, äläkä vedä liitäntäjohtosta sen irrottamiseksi verkkovirrasta. Pidä liitäntäjohto kaukana lämpölähteistä, öljystä, terävistä esineistä ja liikkuvista osista. Sähköiskuvaara kasvaa, jos liitäntäjohto on viallinen tai sotkuilla.

- Kun työskentelet ulkona, käytä yksinomaan ulkokäyttöön sopivia jatkojohtoja. Vältä sähköiskuvaaran.
- Jos et pysty välttämään työkalun käyttöä kosteassa ympäristössä, kytke se differentiaalivirtalaitteella (DDR) suojattuun virransyöttöön. RCD -laitteen käyttö rajoittaa sähköiskuvaaraa.

HENKILÖTURVALLISUUS

- Pysy valppaana, katso mitä teet ja käytä tervettä järkeä kun käytät sähkötyökalua. Älä käytä sähkötyökalua mikäli olet väsynyt, alkoholin tai huumeiden vaikutuksen alainen tai mikäli olet lääkekuurilla. Muista aina, että hetken kestävä huolimattomuus voi johtaa vakavaan loukkaantumiseen.
 - Käytä suojalaitteita. Suojaa aina silmät. Olosuhteista riippuen, käytä myös pölynsuojanaamaria, liukumattomia turvajalkineita, suojakypärää ja kuulonsuojaimia vakavien ruumiinvammojen välttämiseksi.
 - Ehkäise vahingossa tapahtuvat käynnistykset. Varmista, että katkaisin on "seis" asennossa ennen, kuin kytket työkalun verkkovirtaan tai asennat siihen akun sekä myös silloin, kun kannat tai kuljetat työkalua. Onnettomuuksien ehkäisemiseksi, älä siirrä työkalua sormen ollessa liipaisimella äläkä kytke sitä verkkovirtaan tai asenna siihen akkua, kun katkaisin on "käynnissä" asennossa.
 - Poista kiristysavaimet ennen kuin käynnistät työkalun. Työkalun liikkuvaan osaan unohtunut kiristysavain voi aiheuttaa vakavia ruumiinvammoja.
 - Etsi aina asento, jossa pysyt tasapainossa. Pysyttele tukevasti jaloillasi äläkä kurkota käsivartta liian kauas. Tukeva työskentelyasento sallii työkalun moitteettoman hallinnan kaikissa olosuhteissa.
 - Käytä sopivia pukimia. Älä pukeudu väliin vaatteisiin ja koruihin. Pidä hiuksesi ja vaatteesi loitolla liikkuvista osista. Väljät vaatteet, korut ja pitkät hiukset voivat tarttua liikkuviin osiin.
 - Jos työkalun mukana toimitetaan pölynkokoajajärjestelmä, asenna ja käytä sitä oikein. Vältä tapaturmavaaran.
 - Vaikka koneen paljosta käytöstä tulisi sinulle rutiini, muista aina noudattaa turvallisuusmääräyksiä. Huolimaton toiminta voi aiheuttaa vakavat vammat sekunnin murto-osassa.
- ## SÄHKÖTYÖKALUJEN KÄYTTÖ JA HUOLTO
- Älä pakota työkalua. Käytä työhön sopivaa työkalua. Sähkötyökalu on tehokkaampi ja varmempi, jos käytät sitä sille sopivalla pyörimisnopeudella.
 - Älä käytä sähkötyökalua, jos sitä ei voida käynnistää ja sammuttaa katkaisimella. Työkalu, jota ei voida käynnistää ja katkaista oikealla tavalla on vaarallinen ja se on korjattava välittömästi.
 - Irrota pistoke virtalähteestä ja/tai poista akku, jos irrotettavissa, konetyökalusta ennen kuin teet



mitään säätöjä, vaihdat lisälaitteen tai varastoit koneen. Vältä epähuomiossa tapahtuvat työkalun käynnistykset.

- **Varastoi sähkötyökalut aina lasten ulottumattomiin. Älä anna kokemattomien tai turvallisuusohjeita tuntemattomien henkilöiden käyttää työkalua.** Sähkötyökalut ovat vaarallisia kokemattomien henkilöiden käsissä.
- **Konetyökalun ja lisälaitteiden huolto.** Tarkista liikkuvien osien kohtisuoruus. Tarkista, ettei yksikään osa ole rikkoutunut. Tarkista asennus ja kaikki osat, jotka voivat vaikuttaa haitallisesti työkalun toimintaan. Mikäli viallisia osia on, korjauta työkalua ennen sen käyttöä. Onnettomuuksien aiheuttajana on usein työkalun huolimaton kunnossapito.
- **Pidä työkalut puhtaina ja terävinä.** Kiinni tarttuminen on harvinaisempaa ja hallinnan säilyttäminen helpompaa, kun leikkuutyökalu on hyvin teroitettu ja puhdas.
- **Käytä sähkötyökalua, sen varusteita, teriä jne. näiden käyttöohjeiden mukaisesti ja huomioi käyttöolosuhteet sekä toivotut käyttötarkoitukset.** Vaarallisten tilanteiden ehkäisemiseksi, älä käytä työkalua muuhun, kuin sille tarkoitettuun työhön.
- **Pidä kädensijat ja tarttumapinnat kuivina ja puhtaina öljy- ja rasvatähroista sekä muusta liasta.** Liukkaat kädensijat ja tarttumapinnat vaarantavat koneen turvallisen käsittelyn ja ohjaamisen yllättävissä tilanteissa.

JOHDOTTOMIA TYÖKALUJA KOSKEVAT ERIKOIS-TURVAOHJEET

- **Älä lataa työkalun akkua muulla, kuin valmistajan suosittelemalla latauslaitteella.** Latauslaite on tarkoitettu ennalta määrätyille akkutyypeille ja se voi aiheuttaa tulipalon, jos sitä käytetään muuntotyypisen akun lataukseen.
- **Johdottoman työkalun kanssa tulee käyttää vain yhtä erityistä akkutyyppeä.** Muunlaisten akkujen käyttö voi aiheuttaa tulipalon.
- **Kun akku ei ole käytössä, pidä se kaukana metalliesineistä kuten liittimistä, kolikoista, avaimista, nautoista, ruuveista ja muista esineistä, jotka saattavat aiheuttaa napojen keskinäisen kytketymisen.** Akun napojen oikosulkuun saattaminen voi aiheuttaa palovammoja tai tulipalon.
- **Vältä koskemasta akkunesteeseen liian raskaan käytön aiheuttaman vuodon yhteydessä. Mikäli näin tapahtuu, huuhtelee välittömästi saastunut alue runsaalla puhtaalla vedellä.** Jos nestettä on joutunut silmiin, ota yhteys lääkäriin. Akkuneste voi aiheuttaa ärsytysherkkyyttä tai palovammoja.
- **Älä käytä akkua tai työkalua, joka on vaurioitunut tai jota on muunneltu.** Vaurioituneet tai muunnellut akut saattavat aiheuttaa tulipalon, räjähdyksen tai henkilövamman.
- **Älä pidä akkua tai työkalua tulen tai muun kuuman lämmönlähteen lähellä.** Altistaminen yli 130°C:n lämpötilalle voi aiheuttaa räjähdyksen.
- **Noudata lataamisesta annettuja ohjeita ja älä lataa akkua tai työkalua ohjeissa määritellyn lämpötila-alueen ulkopuolella.** Väärällä tavalla tai määrittely-

lämpötila-alueen ulkopuolella lataaminen saattaa vaurioittaa akkua ja lisätä tulipalon riskiä.

HUOLTO

- **Kaikki korjaustyöt on annettava ammattitaitoisen huoltomiehen tehtäväksi ja vaihdossa on käytettävä yksinomaan alkuperäisiä varaosia.** Näin toimien voit käyttää sähkötyökalua täysin turvallisesti.
- **Älä koskaan käytä vaurioitunutta akkua.** Akkua saa huoltaa vain sen valmistaja tai valtuutettu palveluntarjoaja.

YLEISET TURVALLISUUSVAROITUKSET

⚠ VAROITUS

Lue kaikki laitteen mukana toimitetut turvaohjeet, kuvat ja tekniset tiedot. Varoitusten ja ohjeiden laiminlyönnistä voi seurata sähköisku, tulipalo ja/tai vakava loukkaantuminen.

⚠ VAROITUS

Noudata turvallisuussääntöjä tuotetta käyttäessäsi. Oman ja sivullisten turvallisuuden vuoksi, lue nämä ohjeet ennen tuotteen käynnistämistä. Säilytä ohjeet tulevaa käyttöä varten.

⚠ VAROITUS

Tuotetta ei ole tarkoitettu lasten eikä sellaisten ihmisten käytettäväksi, joiden ruumiin, aistien tai mielen suorituskyky on heikentynyt. Lapsia on pidettävä asianmukaisesti silmällä, jotta he eivät pääse leikkimään tuotteella.

⚠ VAROITUS

Joillain alueilla vallitsee säädöksiä, jotka rajoittavat tämän tuotteen käyttöä. Pyydä paikallisilta viranomaisilta neuvoa.

KOULUTUS

- Lue ohjeet huolella. Opi käyttämään kaikkia ohjaimia ja laitteita asianmukaisesti.
- Älä anna lasten tai käyttöohjeita tuntemattomien ihmisten käyttää laitetta. Paikalliset säädökset saattavat asettaa rajoituksia käyttäjän iälle.
- Pidä sivulliset, lapset ja lemmikit 15 metrin etäisyydellä työalueesta. Sammuuta tuote, jos alueelle tulee joku.
- Älä koskaan käytä tuotetta väsyneenä, sairaana tai alkoholin, huumeiden tai lääkkeiden vaikutuksen alaisena.
- Muista, että ruohonleikkurin käyttäjä on vastuunalainen vahingoista ja vaaroista, jotka hän aiheuttaa muille ihmisille ja heidän omaisuuksilleen.

VALMISTELUT

- Käytä tuotetta käyttäessäsi täysisiä suojalaseja ja kuulosuojaimia. Suojakypärää on käytettävä alueilla,





joissa on putoavien kappaleiden vaara.

- Kuulosuojaimet voivat rajoittaa käyttäjän kykyä kuulla varoitusääniä. Kiinnitä erityistä huomiota mahdollisiin vaaratekijöihin työalueella ja sen ympärillä.
- Käytä paksuja pitkiä housuja, saappaita ja käsineitä. Älä käytä löysiä vaatteita, shortseja tai minkäänlaisia koruja tai kulje paljasjaloin.
- Sido pitkät hiukset hartioiden yläpuolelle, jotta ne eivät pääse tarttumaan liikkuviin osiin.
- Tarkista ennen käyttöä ja aina iskun jälkeen, että laitteessa ei ole vioittuneita osia. Valtuutetun huoltopisteen on korjattava tai vaihdettava viallinen kytkin tai muu vahingoittunut tai kulunut osa asianmukaisesti.
- Varmista, että puhdistuslisläläite on oikein asennettu ja lujasti kiinni.
- Älä koskaan käytä tuotetta ilman, että kaikki suojukset, hihnat, ohjauslevyt ja kädensijat on kiinnitetty tukevasti.
- Huomioi ympäristöä, missä työskentelet. Pidä työalue vapaana johdoista, kepeistä, kivistä ja roskista, jotka saattavat sinkoutua leikkurin osuessa niihin.

AKKUKÄYTTÖISEN TYÖKALUN KÄYTTÖ JA HOITO

- Käytä lataukseen ainoastaan valmistajan suosittelemaa laturia. Yhden tyyppiselle akulle sopivan laturin käyttö toisenlaisen akun kanssa voi olla vaarallista.
- Käytä sähkötyökalua ainoastaan sitä varten suunniteltujen akkujen kanssa. Muiden akkujen käyttö voi johtaa loukkaantumiseen ja tulipaloon.
- Kun akkua ei käytetä, pidä se erillään metalliesineistä, kuten paperiliittimistä, kolikoista, avaimista, nauoista, ruuveista ja muista pienistä metalliesineistä, jotka voivat yhdistää akun navat. Akun napojen oikosulkeminen voi aiheuttaa palovammoja ja tulipalon.
- Jos akkua käsitellään väärin, siitä voi vuotaa nestettä; älä kosketa sitä. Jos kosketat sitä vahingossa, huuhtelee se vedellä. Jos nestettä pääsee silmiin, hakeudu lisäksi lääkärin hoitoon. Akusta vuotanut neste voi ärsyttää ihoa ja aiheuttaa palovammoja.

LANGATTOMAN PATIONPUHDISTAJAN TURVALLISUUSVAROITUKSET

- Älä koskaan salli lasten tai ihmisten, joiden fyysiset tai henkiset kyvyt tai aistit ovat heikentyneet tai joilta puuttuu kokemusta tai tietämystä, tai näitä ohjeita tuntemattomien käyttää tuotetta.
- Käytä tuotetta päivänvalossa tai hyvässä keinovalossa.
- Pidä tukeva asento ja tasapaino aina ja varmista, että asento on vakaa rinteissä.
- Älä kävele takaperin tuotetta käyttäessäsi.
- Kävele, älä koskaan juokse.
- Pidä päälisävaruste vyötärön tason alapuolella.
- Älä koskaan käytä tuotetta, jos sen suojukset ovat vioittuneita tai puuttuvat.
- Pidä kädet ja jalat aina loitolla puhdistusvälineistä, erityisesti moottoria käynnistettäessä.
- Älä koskaan käytä tuotetta, jos sen suojukset ovat vioittuneita tai puuttuvat.

- Katkaise laitteesta virta ja irrota akkupakkaus. Varmista, että kaikki liikkuvat osat ovat pysähtyneet täysin:
 - ennen huoltoa
 - ennen laitteen luota poistumista
 - ennen tukoksen poistamista
 - ennen tuotteen tarkastusta, puhdistusta ja huoltoa
 - ennen lisävarusteiden vaihtamista
 - vieraaseen esineeseen osumisen jälkeen
 - aina huollon aikana
 - Jos tuote alkaa täräistä epänormaalisti
- Käytä tuotetta käyttäessäsi täysisiä suojalaseja ja kuulosuojaimia. Suojakypärä on käytettävä alueilla, joissa on putoavien kappaleiden vaara.
- Kuulosuojaimet voivat rajoittaa käyttäjän kykyä kuulla varoitusääniä. Kiinnitä erityistä huomiota mahdollisiin vaaratekijöihin työalueella ja sen ympärillä.
- Sido pitkät hiukset hartioiden yläpuolelle, jotta ne eivät pääse tarttumaan liikkuviin osiin.
- Pidä aina huoli siitä, että tuuletusaukoissa ei ole roskia.
- Tarkista ennen käyttöä ja aina iskun jälkeen, että laitteessa ei ole vioittuneita osia. Valtuutetun huoltopisteen on korjattava tai vaihdettava viallinen kytkin tai muu vahingoittunut osa asianmukaisesti.
- Älä tee laitteeseen mitään muunnoksia; se lisäksi loukkaantumisen vaaraa sinulle ja muille.
- Katkaise laitteesta virta välittömästi onnettomuuden tai toimintahäiriön sattuessa. Älä käytä laitetta ennen kuin se on perusteellisesti tutkittu valtuutetussa huoltoliikkeessä.
- Testaa laitetta puhdistettavaan materiaaliin aina ennen varsinaisen puhdistuksen aloittamista.

LISÄÄ AKUN TURVALLISUUSVAROITUKSIA

VAROITUS

Jotta vältetään lyhytsulun aiheuttama tulipalon, loukkaantumisen tai tuotteen vahingoittumisen vaara, älä koskaan upota työkalua, vaihtoakkua tai latauslaitetta nesteeseen ja huolehdi siitä, ettei mitään nesteitä pääse tunkeutumaan laitteiden tai akkujen sisään. Syövyttävät tai sähköä johtavat nesteet, kuten suolavesi, tietyt kemikaalit ja lalkaisuaaineet tai valkaisuaaineita sisältävät tuotteet voivat aiheuttaa lyhytsulun.

KULJETUS JA VARASTOITAESSA

- Sammuta tuote, irrota akku ja anna sen jäähtyä ennen varastointia ja kuljetusta.
- Puhdista laitteesta kaikki vieraat materiaalit.
- Älä varastoi tai kuljeta tuotetta akut siihen asennettuina. Irrota ja suojaa ne erikseen. Varastoi laite viileään, kuivaan ja hyvin tuuletettuun paikkaan, jossa lapset eivät pääse siihen käsiksi. Pidä poissa syövyttäviltä aineilta kuten puutarhakemikaaleilta ja jäänsulatussuolalta. Älä säilytä ulkona.
- Pidä laite lasten ulottumattomissa.
- Kiinnitä tuote kuljetettaessa siten, että se ei pääse



liikkumaan tai kaatumaan, jotta välttyä loukkaantumisilta ja vaurioilta.

LITIUMAKKUJEN KULJETTAMINEN

Kuljeta akkuja paikallisten ja kansallisten ehtojen ja säädösten mukaisesti. Noudata kaikkia pakkaamista ja nimeämistä koskevia erikoissäädöksiä, kun kolmas osapuoli kuljettaa akkuja.

Varmista, että mikään akku ei kosketa muita akkuja tai johtavaa materiaalia kuljetuksen aikana suojaamalla paljaat navat eristävillä, johtamattomilla korkeilla tai teipillä. Älä kuljeta akkuja, jotka ovat halkeilleet tai vuotavat. Kysy välitilyritykseltä lisäneuvoja.

HUOLTO

VAROITUS

Käytä ainoastaan alkuperäisiä valmistajan tuottamia varaosia, lisälaitteita ja lisävarusteita. Tämän noudattamatta jättäminen voi johtaa loukkaantumiseen ja huonoon tulokseen ja voi mitätöidä takuun.

VAROITUS

Huolto kaipaa suurta huolellisuutta ja hyvää työkalun tuntemusta: Se on annettava pätevän teknikon tehtäväksi. Huollata saha ainoastaan valtuutetussa huoltoliikkeessä. Käytä huollossa ainoastaan alkuperäisiä valmistajan tuottamia varaosia.

- Katkaise laitteesta virta ja poista akkupakkaus aina ennen huolto- tai puhdistustoimenpidettä.
- Voit tehdä tässä käyttöoppaassa kuvattuja säätöjä ja korjauksia. Jos laite vaatii muuta huoltoa, ota yhteys valtuutettuun huoltopisteeseen.
- Varmista aina, että ruuvit ja mutterit ovat tiukasti kiinni, jotta tuote olisi aina turvallinen ja käyttövalmis. Valtuutetun huoltopisteen on korjattava tai vaihdettava vioittuneet osat asianmukaisesti.
- Vie tuote valtuutettuun huoltoon vaurioituneiden ja lukukelvottomien kylltien vaihtamiseksi.

KÄYTTÖÖN LIITTYVÄT RISKIT

Vaikka tuotetta käytettäisiin ohjeiden mukaisesti, ei ole mahdollista täysin eliminoida tiettyjä käyttöön liittyviä riskitekijöitä. Käytössä voi aiheutua seuraavia vaaroja, ja käyttäjän tulee kiinnittää erityistä huomiota niiden välttämiseen:

- Tärinän aiheuttama vamma
 - Pitele tuotetta aina kahvoista ja rajoita työaikaa sekä altistumista.
- Melun aiheuttama vamma
 - Käytä suojalaseja ja rajoita altistumista.
- Lentävien roskien aiheuttamat vammat.
 - Käytä aina suojalaseja.

RISKIEN VÄHENTÄMINEN

Raporttien mukaan käsikäyttöisten laitteiden tärinä voi joidenkin kohdalla myötävaikuttaa Raynaud's Syndromen (Raynauodin oireen) ilmenemiseen. Oireita ovat pistely, turtuus ja sormien kalpeneminen, yleensä kylmässä ilmassa. Perinnölliset tekijät, kylmyys ja kosteus, ruokavalio, tupakointi sekä työtavat voivat kaikki myötävaikuttaa näiden oireiden ilmenemiseen. Käyttäjä voi ehkäistä tärinän aiheuttamia vaikutuksia seuraavasti:

- Pidä itsesi lämpimänä kylmällä säällä. Käytä tuotteen käytön aikana käsineitä, jotta kätesi ja ranteesi pysyvät lämpöisinä. Raporttien mukaan kylmä ilma on tärkeä tekijä Raynaud's Syndromen (Raunauodin oireiden) ilmenemisessä.
- Harjoita kunkin käyttöjakson jälkeen liikuntaa, jotta verenkierto lisääntyy.
- Pidä työn aikana säännöllisesti taukoja. Rajoita päivittäisen tärinän määrä.

Jos mitään yllä mainittuja oireita ilmenee, lopeta heti laitteen käyttö ja kerro oireista lääkärille.

VAROITUS

Laitteen pitkittynyt käyttö voi aiheuttaa tai vaikeuttaa vammoja. Kun käytät mitä tahansa laitetta pitkiä aikoja, muista pitää säännöllisiä taukoja.

TUNNE TUOTTEESI

Katso sivu 138.

Osat

1. Lukitusliipaisin
2. Liipaisin
3. Teräsharja
4. Pyörä
5. Pyöröharjakokoonpano
6. Pyöröharja
7. Laturi
8. Pariston salpa
9. Akku
10. Lisävarusteen vaihtamisessa käytettävä painike
11. Teleskooppisalpa
12. Nuppi
13. Kädensija

TUOTTEESSA OLEVAT SYMBOLIT



Lue ja ymmärrä kaikki ohjeet ennen tuotteen käyttöä ja noudata kaikkia varoituksia ja turvallisuusohjeita.



Käytä silmäsuojaimia



Käytä kuulosuojaimia



Käytä suojakäsineitä



Käytä tätä tuotetta käyttäessäsi luisumattomia turvajalkineita.



Älä altista konetta sateelle tai kosteudelle.



Varo sinkoutuneita ja muita lentäviä esineitä. Pidä kaikki sivulliset vähintään 15 metrin päässä toiminta-alueelta – erityisesti lapset ja lemmikit.



Pidä kädet kaukana



Käytöstä poistettavia sähkölaitteita ei pidä hävittää talousjätteen mukana. Ne on mahdollisuuksien mukaan pantava kiertoon. Kierrätysohjeita antavat kunnan viranomaiset ja vähittäiskauppiaat.



Tämä työkalu on sen EU-maan kaikkien sääntömääräisten standardien mukainen, josta se on ostettu.



EurAsian-vaatimustenmukaisuusmerkki



Ukrainalainen säädöstenmukaisuusmerkintä



Varoitus

Seuraavien merkien tarkoitus on selittää, miten vakava riski tuotteeseen liittyy.



Ilmaisee välitöntä vaaratilannetta, joka ellei sitä vältetä, johtaa kuolemaan tai vakavaan loukkaantumiseen.



Ilmaisee potentiaalisen vaaratilanteen, joka ellei sitä vältetä, johtaa kuolemaan tai vakavaan loukkaantumiseen.



Ilmaisee potentiaalisen vaaratilanteen, joka ellei sitä vältetä, saattaa johtaa pienempään tai keskivaikkeaan loukkaantumiseen.



(Ilman turvallisuusvaroitussymbolia) Ilmoittaa tilanteesta, jossa omaisuutta saattaa vaurioitua.

TÄMÄN KÄSIKIRJAN SYMBOLIT



Osat ja lisävarusteet on hankittava erikseen



Huom



Sikkerhet, ytelse og pålitelighet har fått topp prioritet ved konstruksjonen av denne kabelfrie plattrengjøringsenheten.

TILTENKT BRUK

Plattrengjøringsenheten skal bare brukes av voksne som har lest og forstått instruksjonene og advarslene i denne håndboken, og som kan anses som ansvarlig for sine handlinger.

Produktet er kun tiltenkt til utendørs bruk på et godt ventilert sted. Produktet brukes til å rengjøre flate overflater, ledd og mellomrom mellom overflater utendørs, inkludert steinplater, fliser, brostein og treoverflater. Produktet er ikke egnet til vertikal bruk, slik som på husvegger og flater over hodehøyde, slik som tak.

Ikke bruk til noe annet formål.

GENERELLE SIKKERHETSADVARSLER FOR ELEKTRISK VERKTØY

⚠ ADVARSEL

Les nøye gjennom alle advarslene, instruksene og spesifikasjonene som følger med verktøyet, og se på tegningene. Hvis ikke alle instruksjonene nedenfor blir fulgt, kan det føre til elektrisk støt, brann eller alvorlig personskade.

Ta vare på disse advarslene og instruksene for å se i dem senere.

Ordet "elektroverktøy" som brukes i sikkerhetsforskriftene nedenfor betegner både elektroverktøy med ledning og elektroverktøy uten ledning.

ARBEIDSSOMRÅDETS SIKKERHET

- Hold arbeidsområdet rent og godt belyst. Uryddige og dårlig opplyste områder fører lett til ulykker.
- Bruk ikke elektroverktøy i eksplosive omgivelser, for eksempel i nærheten av brennbare væsker, gass eller støv. Gnister fra elektroverktøy kan sette fyr på dem eller få dem til å eksplodere.
- Hold barn, besøkende og dyr unna når du bruker et elektroverktøy. De kan avlede oppmerksomheten din og få deg til å miste kontroll over verktøyet.

ELEKTRISK SIKKERHET

- Elektroverktøyet støpsel skal passe til stikkkontakten. Ikke foreta noe på støpselet. Bruk aldri en adapter sammen med jordete elektroverktøy. Dermed unngår du faren for elektrisk støt.
- Unngå all kontakt med jordete overflater (rør, radiatorer, komfyrer, kjøleskap o.l.). Faren for elektrisk støt øker hvis en del av kroppen er i kontakt med jordete overflater.
- Ikke utsett et elektroverktøy for regn eller fuktighet. Faren for elektrisk støt øker hvis det kommer vann inn i elektroverktøyet.
- Sørg for å holde kabelen i god stand. Hold aldri verktøyet i kabelen og dra aldri i kabelen for å trekke støpselet ut av stikkkontakten. Hold kabelen unna enhver varmekilde, olje, skarpe gjenstander

og bevegelige deler. Faren for elektrisk støt øker hvis kabelen er skadet eller floket.

- Når du arbeider utendørs, må du kun bruke forlengelseskabler som er beregnet på utendørs bruk. Dermed unngår du faren for elektrisk støt.
- Hvis du ikke kan unngå å bruke verktøyet i fuktige omgivelser, skal du koble deg til et strømnett som er beskyttet med en reststrømminnretning. Bruken av en reststrømminnretning begrenser faren for elektrisk støt.

PERSONLIG SIKKERHET

- Vær alltid på vakt, følg godt med det du gjør og bruk sunn fornuft når du bruker et elektroverktøy. Bruk ikke elektroverktøyet hvis du er trett, påvirket av alkohol eller narkotika, eller hvis du tar medisiner. Husk at uforsiktighet i en brøkdel av et sekund er nok til at du kan skade deg selv alvorlig.
- Bruk verneutstyr. Beskytt alltid øynene. Alt etter omstendighetene, bør du også bruke støvmaske, sklislire sko, hjelm eller hørselvern for å beskytte deg mot alvorlige personskader.
- Unngå utilsiktet start. Påse at av/på bryteren står på "av" før du kobler verktøyet til en stikkontakt eller setter inn batteriet, og når du skal ta eller frakte verktøyet. For å unngå all fare for ulykke, skal du ikke ha fingeren på av/på bryteren når du frakter verktøyet, ikke koble det til strømnettet eller sette inn batteriet hvis bryteren står på "på".
- Ta ut skrunøkklene før du starter verktøyet. Hvis en skrunøkkel blir liggende fast på en bevegelig del av verktøyet, kan det forårsake alvorlige personskader.
- Pass på at du alltid holder balansen. Stå støtt på bena og strekk ikke armen for langt. Hvis du står i en stabil arbeidsstilling, kan du lettere kontrollere verktøyet dersom det skjer noe uventet.
- Bruk egnede klær. Bruk ikke løstsittende klær og smykker. Hold hår og klær unna bevegelige deler. Løstsittende klær, smykker og langt hår kan fanges opp av bevegelige deler.
- Hvis verktøyet er levert med et støvavsugingssystem, må du påse at det er riktig installert og at det brukes. Du unngår dermed faren for ulykker.
- Pass på at du ikke blir så vant til å bruke verktøyet at du begynner å ignorere sikkerheten rundt bruken av verktøyet. Uforsiktighet kan føre til alvorlig skade på et øyeblikk.

BRUK OG VEDLIKEHOLD AV ELEKTROVERKTØY

- Ikke bruk makt på verktøyet ditt. Bruk det verktøyet som egner seg til det arbeidet du skal utføre. Elektroverktøyet er mer effektivt og sikkert hvis det brukes i det turtallet det er konstruert for.
- Bruk ikke et elektroverktøy hvis du ikke får startet og stoppet det med av/på bryteren. Et verktøy som ikke kan slås på og av ordentlig er farlig og må absolutt repareres.
- Trekk støpselet ut av stikkkontakten og fjern eventuelt batteriet fra verktøyet hvis dette er mulig når du skal foreta justeringer, skifte tilbehør eller legge verktøyet bort. Dermed reduseres faren for at verktøyet starter utilsiktet.
- Rydd elektroverktøyene dine utenfor barns





rekkevidde. La ikke personer som ikke kjenner verktøyet eller ikke har lest disse forskriftene bruke verktøyet. Elektroverktøy er farlige når de brukes av uerfarne personer.

- **Hold elektroverktøy og tilbehør i god stand.** Kontroller de bevegelige delenes innstilling. Sjekk at ingen deler er brukket. Kontroller monteringen og alle andre elementer som kan virke inn på verktøyets drift. Hvis enkelte deler er skadet, må du få verktøyet reparert før du tar det i bruk igjen. Mange ulykker skyldes dårlig vedlikehold av verktøyene.
- **Hold verktøyene dine rene og skarpe.** Et skjæreverktøy som er rent og godt skjerpet har ikke så lett for å låses fast og er lettere å kontrollere.
- **Bruk elektroverktøyet, tilbehørene, bitsene osv. i henhold til denne bruksanvisningen og ta hensyn til bruksforholdene og de ønskede bruksområdene.** For å unngå farlige situasjoner, skal du bare bruke elektroverktøyet til de arbeidsoppgavene det er konstruert for.
- **Hold håndtak og gripeflater tørre, rene og frie for olje og fett.** Hvis håndtak og gripeflater er glatte, hindrer dette sikker håndtering og kontroll over verktøyet i uventede situasjoner.

SPESIELLE SIKKERHETSFORSKRIFTER FOR OPP-LADBARE VERKTØY

- **Lad verktøyets batteri kun opp med det ladeapparatet som anbefales av fabrikanten.** Et ladeapparat som egner seg til en viss batteritype kan forårsake brann hvis det brukes med en annen batteritype.
- **Det skal bare brukes en bestemt batteritype med et oppladbart verktøy.** Bruken av et annet batteri kan forårsake brann.
- **Når batteriet ikke er i bruk, skal det holdes unna metallgjenstander som binders, mynter, nøkler, skruer, spikre og andre små gjenstander som kan koble kontaktene til hverandre.** Kortslutning av batteriets kontakter kan medføre brannskade eller brann.
- **Unngå all kontakt med batterivæsken dersom batteriet lekker på grunn av misbruk.** Hvis det skulle hende, må det berørte området skylles rikelig med rent vann. Hvis du har fått væske i øynene, må du dessuten oppsøke en lege. Væske som kommer ut av batteriet kan forårsake sår eller brannskade.
- **Ikke bruk et batteri eller et verktøy som er skadet eller endret.** Batterier som er skadet eller modifisert, kan forårsake uforutsigbare hendelser og forårsake brann, eksplosjoner eller fare for personskade.
- **Ikke utsett batteriet eller verktøyet for ild eller høy temperatur.** Hvis de utsettes for ild eller temperaturer over 130°C, kan dette føre til eksplosjon.
- **Følg alle oppladningsinstruksjoner.** Ikke lad batteriet eller verktøyet når temperaturen er utenfor det området som er angitt i bruksanvisningen. Mangelfull lading og lading ved temperaturer utenfor det angitte området kan ødelegge batteriet og øke risikoen for brann.

VEDLIKEHOLD

- **Reparasjoner må kun foretas av en kvalifisert tekniker og med originale reservedeler.** Da kan du bruke elektroverktøyet trygt.
- **Ikke foreta vedlikehold på et batteri som er skadd.** Vedlikehold på batterier skal bare utføres av produsenten eller en autorisert serviceleverandør.

GENERELLE SIKKERHETSADVARSLER

⚠ ADVARSEL

Les alle sikkerhetsadvarsler og -instruksjoner, illustrasjoner og spesifikasjoner som følger med dette produktet. Å unnlate å følge advarslene og instruksjonene kan føre til elektrisk støt, brann og alvorlig personskade.

⚠ ADVARSEL

Når produktet brukes må sikkerhetsreglene følges. Les disse instruksjonene før du tar i bruk produktet for din egen sikkerhet og sikkerheten til personer som befinner seg i nærheten. Ta godt vare på instruksjonene for framtidig referanse!

⚠ ADVARSEL

Dette produktet er ikke ment å bli brukt av barn eller personer med nedsatte fysiske, mentale eller sensoriske evner. Barn må ha riktig tilsyn for å sikre at de ikke leker med produktet.

⚠ ADVARSEL

Noen regioner har bestemmelser som begrenser bruk av dette produktet. Spør de lokale myndigheter for råd.

OPPLÆRING

- Les instruksjonsmanualen nøye. Gjør deg kjent med alle kontrollene og korrekt bruk av produktet.
- Ikke tillat at barn eller personer som ikke er kjent med brukermanualen bruke produktet. Lokale forskrifter kan begrense en alder av operatøren.
- Hold tilskuere, barn og kjæledyr 15 m unna arbeidsområde. Stopp produktet når noen kommer inn på området hvor produktet brukes.
- Ikke bruk utstyret når du er sliten, syk eller under påvirkning av alkohol, narkotika eller medisiner som kan påvirke reaksjonsevne og dømmekraft.
- Husk at operatøren eller brukeren er ansvarlig for uhell og farer som andre personer og deres eiendom får påført.

KLARGJØRING

- Ha på deg passende vernebriller og hørselvern når du bruker produktet. Hvis du jobber i områder der det er fare for fallende objekter, må du bruke hjelm.
- Hørselsvern kan hindre operatøren i å høre varselslyder.





Vær spesielt oppmerksom på mulige farer rundt deg og innenfor arbeidsområdet.

- Bruk tette langbukser, støvler og hansker. Ikke bruk løstsittende klær, kortbukser, smykker av alle slag og ikke gå barbert.
- Sørg for at langt hår ikke når lenger ned en til skuldrene for å hindre at det kan fanges opp av roterende deler.
- Før bruk og etter hvert slag, sjekk for skadede deler. En defekt bryter eller annen del som er skadet eller slitt skal repareres adekvat eller skiftes ut av et autorisert serviceverksted.
- Se til at rengjøringsutstyret er riktig installert og sikkert festet.
- Ikke bruk produktet dersom ikke alle vern, avvisere og håndtak er på plass og forsvarlig festet.
- Vurder omgivelsene du skal jobbe i. Hold arbeidsområde fri for ledninger, pinner, steiner og annet avfall som kan sprette unna dersom kutteren kommer bort i det.

BATTERIPRODUKTER - BRUK OG STELL

- Lad bare med ladere som er spesifisert av produsenten. En lader som passer til en type batteripakke kan skape risiko for brann dersom den brukes til en annen type batteripakke.
- Bruk patteriprodukter kun med spesielt tiltenkte batteripakker. Bruk av andre batteripakker kan føre til risiko for skade og brann.
- Når batteripakken ikke er i bruk, hold den vekke fra metallgjenstander som binders, mynter, nøkler, spiker, skruer og annet som kan forbinde de to terminalene med hverandre. Kortslutning av batteriterminalene kan føre til brenning eller brann.
- Dersom batteriet misbrukes kan det slippe ut væske, unngå hudkontakt med væsken. Hvis du får kontakt med væsken fra batteriet, skyll med rikelige mengder vann. Hvis væsken får kontakt med øynene må det søkes medisinsk hjelp. Væske som kommer ut av batteriet kan føre til irritasjon eller brannår.

SIKKERHETSADVARSLER TRÅDLØS PLATRENGJØRINGSENHET

- Du må aldri la barn, personer med redusert fysisk, sensorisk eller mental kapasitet eller mangel på erfaring og kunnskap eller personer som ikke kjenner disse instruksene, bruke produktet.
- Bruk produktet i dagslys eller under godt kunstig lys.
- Hold godt fotfeste og balanse til enhver tid og se til å ha godt fotfeste i skråninger.
- Ikke gå baklengs når du bruker produktet.
- Gå, du må aldri løpe mens du arbeider med maskinen.
- Hold hodefestet under hofteivå.
- Bruk aldri produktet med ødelagt skjerming eller uten at skjermingen er montert.
- Hold hendene og føttene borte fra rengjøringsmidlene til enhver tid, spesielt når motoren slås på.
- Bruk aldri produktet med ødelagt skjerming eller uten at skjermingen er montert.
- Slå av og fjern batteripakken. Påse at alle bevegelige

deler har stoppet helt:

- før betjening
- før produktet etterlates uten oppsyn
- før rengjøring av en blokkering
- før kontroll, rensing og arbeider på produktet
- før endring av tilbehør
- etter at en fremmed gjenstand er truffet
- når vedlikehold utføres
- hvis produktet starter å vibrere unormalt
- Ha på deg passende vernebriller og hørselvern når du bruker produktet. Hvis du jobber i områder der det er fare for fallende objekter, må du bruke hjelm.
- Hørselvern kan hindre operatøren i å høre varsellyder. Vær spesielt oppmerksom på mulige farer rundt deg og innenfor arbeidsområdet.
- Sørg for at langt hår ikke når lenger ned en til skuldrene for å hindre at det kan fanges opp av roterende deler.
- Sørg alltid for at avfall ikke tetter ventilasjonsspaltene.
- Før bruk og etter hvert slag, sjekk for skadede deler. En defekt bryter eller enhver annen del som er skadet må repareres eller skiftes ved et autorisert serviceverksted.
- Du må ikke endre maskinen på noe måte, det kan ellers øke faren for at du skader deg selv eller andre.
- Slå umiddelbart av og fjern batteripakken i tilfelle en ulykke eller svikt. Ikke bruk redskapen igjen før den er nøye kontrollert av et autorisert servicesenter.
- Test alltid produktet på materialet som skal rengjøres før start av full drift.

EKSTRA ADVARSLER FOR BATTERISIKKERHET

⚠ ADVARSEL

For å unngå fare for en brann forårsaket av en kortslutning, av personskader eller skader av produktet, må det forhindres at batteripakken eller laderen dyppes i væsker og også sørges for at ingen væsker kan komme inn i apparatene eller batteriene. Korroderende og ledende væsker som saltvann, visse kjemikalier og blekemidler eller produkt som inneholder blekemidler kan forårsake en kortslutning.

TRANSPORT OG LAGRING

- Slå av produktet og la det kjøles ned før lagring eller transport.
- Fjern alle fremmedelementer fra produktet.
- Ikke lagre eller transporter produktet med batteriene i. Ta dem ut og hold adskilt. Lagres på et kjølig, tørt og godt ventilert sted som er utilgjengelig for barn. Hold den borte fra korrosive materialer, så som ugressmidler og veisalt. Ikke oppbevar utendørs.
- Sørg for at barn ikke får tilgang til kompostkvernen.
- Ved transport må produktet sikres mot å komme i bevegelse eller falle for å unngå skade på personer eller produktet.

EN
FR
DE
ES
IT
NL
PT
DA
SV
FI
NO
RU
PL
CS
HU
RO
LV
LT
ET
HR
SL
SK
BG
UK
TR





TRANSPORTERE LITIUUM-BATTERIER

Transporter batterier i henhold til lokale og nasjonale lover og forskrifter. Følg alle spesialkrav med hensyn til emballering og merking når batterier transporteres av en tredjepart.

Påse at ingen batterier kan komme i kontakt med andre batterier eller ledende materialer under transporten ved å beskytte åpne kontakter med isolasjon, ikkeledende lokk eller tape. Ikke transporter batterier som er sprukne eller som lekker. Kontakt speditøren for å få ytterligere råd.

VEDLIKEHOLD

ADVARSEL

Bruk kun produsentens originale reservedeler, tilleggsutstyr og påsatser. Dersom dette ikke følges, kan det forårsake personskader, dårlig funksjon og kan annullere garantien din.

ADVARSEL

Service krever meget stor forsiktighet og kunnskap og bør utføres kun av kvalifisert teknisk personale. Få utført service på produktet kun av et autorisert servicesenter. For service av maskinen, bruk kun produsentens originale reservedeler.

- Slå av og fjern batteripakken før du utfører noe vedlikehold eller rengjøringsarbeid.
- Du kan foreta justeringer og reparasjoner som er beskrevet i denne brukermanualen. For andre reparasjoner, ta kontakt med et autorisert serviceverksted.
- Kontroller all mutter, bolter og skruer med jevne mellomrom at de er skrudd fast for å sikre at produktet er i driftssikker stand. Enhver del som er skadet må repareres eller skiftes ut ved et autorisert serviceverksted.
- Bring produktet til et autorisert servicesenter for utskifting av skadede eller uleselige etiketter.

GJENVÆRENDE RISIKO

Selv om utstyret brukes som beskrevet er det ikke mulig å unngå enhver gjenværende risiko. Følgende faresituasjoner kan oppstå ved bruk, og operatøren må legge spesielt vekt på å unngå følgende:

- Personskade på grunn av vibrasjon
 - Hold produktet i angitte håndtak og begrenns arbeidstid og eksponering.
- Skader skapt av støy
 - Bruk hørselvern og begrenns eksponeringen.
- Skade forårsaket av luftbårne gjenstander
 - Bruk til enhver tid øyebeskyttelse.

FAREREDUKSJON

Det foreligger rapporter om at vibrasjoner fra håndholdt verktøy for enkelte personer kan bidra til en tilstand som

kalles Raynauds Syndrome. Symptomene kan omfatte følelsesløshet og gjøre fingrene bleke, vanligvis synlig ved eksponering til lave temperaturer. Arvelige faktorer, eksponering mot lave temperaturer og fuktighet, diett, røyking og arbeidspraksis blir alle ansett for å kunne bidra til å utvikle disse symptomene. Brukeren kan iverksette tiltak for mulig å redusere virkningene av vibrasjonene:

- Hold kroppen din varm i kaldt vær. Bruk hansker og hold hender og håndledd varme ved bruk av produktet. Det er rapportert at kaldt vær er en viktig faktor som bidrar til Raynauds Syndrome.
- Etter hver arbeidsperiode bør det utføres øvelser for å øke blodsirkulasjonen.
- Ta ofte pauser fra arbeidet som utføres. Begrens mengden av eksponering pr. dag.

Hvis du opplever noen av symptomene på denne tilstanden må du øyeblikkelig avbryte arbeidet og oppsøke en lege med disse symptomene.

ADVARSEL

Hvis man bruker verktøyet for lenge av gangen, kan det føre til eller forverre allerede eksisterende personskade. Når du bruker et verktøy over en lenger tidsperiode, husk å ta regelmessige pauser.

KJENN PRODUKTET DITT

Se side 138.

Deler

1. Låsetrigger
2. Avtrekker
3. Stålbørste
4. Hjul
5. Rullerbørsteenhet
6. Rullerbørste
7. Lader
8. Batterilås
9. Batteri
10. Utstyrsendingsknapp
11. Teleskoplås
12. Knott
13. Håndtak

SYMBOLER PÅ PRODUKTET



Les og forstå alle instruksjoner før du tar i bruk produktet, følg alle advarsler og sikkerhetsanvisninger.



Bruk øyebeskyttelse



Bruk hørselsvern



Bruk vernehansker



Anvend glisikkert fotteøy ved bruk av dette produktet.





Ikke utsette for regn eller fuktige forhold.



Vær oppmerksom på utkastede eller flygende gjenstander. Hold tilskuere, spesielt barn og dyr, på god avstand, det vil si minst 15 meter fra arbeidsområdet



Hold hendene vekke



Avfall fra elektriske produkter skal ikke kastes sammen med husholdningsavfall. Vennligst resirkulervedeeksisterende avfallsbehandlingssted. Undersøk hos dine lokale myndigheter eller forhandler for råd om resirkulering.



Dette verktøyet overholder samtlige standarder i det EU-landet det er kjøpt i.



EurAsian Konformitetstegn



Ukrainsk merke for konformitet

Følgende signalord og meninger har til hensikt å forklare graden av risiko forbundet med bruken av dette produktet.



Indikerer en øyeblikkelig farlig situasjon, som, hvis ikke unngås, kan resultere i død eller alvorlig personskade.



Indikerer en potensiell farlig situasjon, som, hvis ikke unngås, kan resultere i død eller alvorlig personskade.



Indikerer en potensiell farlig situasjon, som, hvis ikke unngås, kan resultere i mindre eller moderat personskade.



(Uten sikkerhetssymbol)
Indikerer en situasjon som kan resultere i skader på eiendom.

SYMBOLER I DENNE MANUALEN



Deler eller tilbehør solgt separat



Nb



Advarsel



В основе конструкции вашего беспроводного пылесоса для патио лежат принципы безопасности, продуктивности и надежности.

НАЗНАЧЕНИЕ

К использованию пылесоса для патио допускаются только совершеннолетние, способные нести ответственность за свои действия, после изучения инструкций и предостережений в настоящем руководстве.

Продукт предназначен только для использования на открытом воздухе в хорошо проветриваемом месте. Изделие предназначено для очистки плоских поверхностей и пространства между поверхностями вне помещений, в том числе каменных плит, плитки, брусчатки и деревянных поверхностей. Изделие не предназначено для вертикального использования, например, при очистке стен и потолков.

Не используйте устройство для каких-либо иных целей.

ОБЩИЕ УКАЗАНИЯ ПО ТЕХНИКЕ БЕЗОПАСНОСТИ ПРИ РАБОТЕ С ЭЛЕКТРОИНСТРУМЕНТОМ

⚠ ОСТОРОЖНО

Ознакомьтесь со всеми инструкциями по технике безопасности, иллюстрациями и техническими характеристиками, входящими в комплект изделия. Несоблюдение приводимых ниже предупреждений и инструкций может привести к поражению электрическим током, возгоранию или тяжким телесным повреждениям.

Сохраните все предупреждения и инструкции по технике безопасности для последующего использования.

Термин "электроинструмент" в данном описании относится к инструментам с питанием от сети (проводные) и от аккумуляторных батарей (беспроводные).

БЕЗОПАСНОСТЬ НА РАБОЧЕМ МЕСТЕ

- Рабочая зона должна быть свободна и хорошо освещена. Загромождение или плохое освещение рабочей зоны может привести к несчастным случаям.
- Не используйте электроинструмент во взрывоопасной среде, например в присутствии легковоспламеняющихся жидкостей, газов или пыли. В электроинструментах происходит искрообразование, что может привести к воспламенению пыли или газа.
- Не допускайте присутствия детей и посторонних лиц при работе с инструментом. Невнимательность может привести к утрате контроля.

ЭЛЕКТРОБЕЗОПАСНОСТЬ

- Вилка кабеля питания инструмента должна соответствовать используемой розетке.

Не подвергайте вилку кабеля каким-либо изменениям. Не используйте какие-либо переходники с электроинструментами с заземляющим проводом. Использование оригинальных штепсельных вилок и соответствующих розеток предотвращает опасность поражения электрическим током.

- Не допускайте контакта частей тела с поверхностями заземленных предметов, таких как трубы, радиаторы отопления, кухонные плиты, холодильники. При соприкосновении частей тела человека с заземленными участками возрастает опасность поражения электрическим током.
- Не допускайте попадания влаги на изделие и не используйте его во влажной атмосфере. Попавшая внутрь инструмента вода повышает опасность поражения электрическим током.
- Обращайтесь с кабелем питания надлежащим образом. Не используйте кабель для переноски, перемещения или отключения инструмента от сети питания. Оберегайте кабель от источников тепла, масляных и острых предметов и движущихся деталей. Поврежденные или запутанные провода повышают опасность поражения электрическим током.
- При работе с электроинструментом вне помещений пользуйтесь удлинительным кабелем, предназначенным для наружного применения. Использование кабеля, предназначенного для наружного применения, снижает опасность поражения электрическим током.
- Если нет возможности избежать работы в условиях повышенной влажности, подключайте инструмент через устройство защитного отключения. При использовании устройства защитного отключения снижается опасность поражения электрическим током.

ЛИЧНАЯ БЕЗОПАСНОСТЬ

- Соблюдайте осторожность, следите за своими действиями и пользуйтесь здравым смыслом при работе с электроинструментом. Не пользуйтесь инструментом в состоянии усталости или под воздействием наркотических средств, алкоголя или медицинских препаратов. Малейшая невнимательность при работе с инструментом может привести к тяжкому телесному повреждению.
- Используйте средства индивидуальной защиты. Всегда надевайте средства защиты зрения. Средства защиты, такие как пылезащитная маска, нескользящая защитная обувь, шлем-каска, средства защита органов слуха, используемые надлежащим образом, снижают опасность телесного повреждения.
- Не допускайте случайного запуска. Перед подключением к источнику питания или установкой аккумуляторной батареи, подъемом или перемещением инструмента убедитесь,





что переключатель находится в положении «выключено». Во избежание несчастных случаев при перемещении инструмента не держите пальцы на переключателе инструмента и не подключайте его к источнику питания при включенном положении переключателя.

- **Перед включением инструмента уберите все регулировочные и гаечные ключи.** Гаечные или регулировочные ключи, оставленные на вращающихся частях инструмента, могут привести к телесному повреждению.
- **Не перенапрягать.** Старайтесь сохранять **устойчивость и подыскивайте твердую опору.** Это обеспечивает лучшую управляемость электроинструментом в непредвиденных ситуациях.
- **Одевайтесь соответствующим образом.** Не надевайте свободную одежду и украшения. Не допускайте попадания волос, одежды и перчаток в движущиеся части. Свободная одежда, украшения и длинные волосы могут попасть в движущиеся части.
- **Если в инструменте предусмотрено использование устройства удаления и сбора пыли, обеспечьте их надежное крепление и надлежащее использование.** Использование пылесборника снижает опасность, связанную с пылеобразованием.
- **Не нарушайте правила техники безопасности, даже несмотря на длительный опыт работы с инструментами.** Неосторожное действие может стать причиной тяжелых травм в течение доли секунды.

ИСПОЛЬЗОВАНИЕ И ОБРАЩЕНИЕ С ИНСТРУМЕНТОМ

- **Не прикладывайте чрезмерных усилий при работе с данным инструментом.** В каждом случае используйте надлежащий электроинструмент. Правильно выбранный электроинструмент позволяет выполнить работу, для которой он предназначен, более качественно и более безопасно.
- **Не пользуйтесь инструментом, если выключатель не включается или не выключается.** Любой электроинструмент, не управляемый выключателем, представляет опасность и должен быть отремонтирован.
- **Перед выполнением каких-либо регулировок, заменой приспособлений или хранением инструмента отключите вилку кабеля источника питания и/или аккумуляторной батареи от электроинструмента.** Такие меры предосторожности помогут предотвратить опасность случайного пуска инструмента.
- **Храните неиспользуемые электроинструменты в месте, недоступном для детей, а также не допускайте к использованию данного инструмента лиц, не знакомых с его работой или не ознакомленных с данными данными инструкциями.** Инструмент в руках неподготовленного лица представляет опасность.

- **Бережно обращайтесь с инструментом.** Проверяйте инструмент на отсутствие перекосов или заклинивания движущихся частей, их неисправности или других причин, которые могут отразиться на работе инструмента. При повреждении инструмента перед его дальнейшим использованием его следует отремонттировать. Многие несчастные случаи вызваны ненадлежащим обращением с инструментом.
- **Содержите режущее устройство в чистоте и заточенном виде.** При надлежащем техническом обслуживании режущего инструмента снижается вероятность застревания режущих частей и облегчается управляемость.
- **Используйте инструмент, принадлежности, насадки и т.п. в соответствии с данными указаниями, и принимая во внимание условия работы и выполняемую работу.** Использование данного электроинструмента не по назначению может создать опасную ситуацию.
- **Держите ручки и поверхности захватывания сухими, чистыми, не допускайте попадания на них смазочных веществ.** Скользкие ручки и поверхности захватывания не позволяют безопасно управлять и контролировать инструмент в непредвиденных ситуациях.

ЭКСПЛУАТАЦИЯ УСТРОЙСТВА С АККУМУЛЯТОРНЫМ ПИТАНИЕМ И УХОД ЗА НИМ

- **Зарядку выполняйте только с использованием зарядного устройства, указанного изготовителем.** Зарядное устройство, подходящее к одному типу аккумуляторных батарей, может создать опасность возгорания при использовании с аккумуляторными батареями другого типа.
- **Используйте электрические устройства только со специально предназначенными для них аккумуляторными батареями.** Использование аккумуляторных батарей другого типа может привести к телесным повреждениям или возгоранию.
- **Если аккумуляторная батарея не используется, храните ее отдельно от других металлических предметов, например канцелярских скрепок, монет, ключей, гвоздей, винтов и других мелких металлических предметов, которые могут привести к замыканию контактов батареи.** Замыкание контактов батареи может вызвать ожоги или привести к возгоранию.
- **При ненормальных условиях из батареи может вытечь жидкость, избегайте контакта с ней. Если этого избежать не удалось, смойте жидкость водой.** Если жидкость попала в глаза, после их промывания обратитесь за медицинской помощью. Жидкость, вытекающая из батареи, может вызвать раздражение или ожог.
- **Не используйте поврежденный или модифицированный аккумуляторный блок и инструмент.** Поврежденные или модифицированные аккумуляторы могут вести



себя непредсказуемо, что может привести к пожару, взрыву или послужить причиной травмы.

- **Запрещается подвергать аккумуляторный блок или инструмент воздействию огня и высокой температуры.** Воздействие огня или температуры выше 130°C может привести к взрыву.
- **Заряжайте аккумуляторные блоки и инструмент в соответствии с инструкцией, не подвергая их при этом воздействию температур вне диапазона, указанного в инструкции.** Несоблюдение инструкций и зарядка при воздействии температур вне диапазона, указанного в инструкции, может привести к повреждению аккумулятора и повысить риск возгорания.

ОБСЛУЖИВАНИЕ

- **Техническое обслуживание и ремонт инструмента должно выполняться только квалифицированным специалистом с использованием взаимозаменяемых запасных частей.** Это обеспечит нормальное техническое состояние устройства.
- **Обслуживание аккумуляторных блоков с признаками повреждения не допускается.** Обслуживание аккумуляторных блоков должно выполняться производителем или авторизованным сервисным центром.

ОБЩИЕ ПРАВИЛА БЕЗОПАСНОСТИ

⚠ ОСТОРОЖНО

Ознакомьтесь со всеми инструкциями по технике безопасности, иллюстрациями и техническими характеристиками, входящими в комплект изделия. Несоблюдение приведенных ниже предупреждений и инструкций может привести к поражению электрическим током, возгоранию или тяжким телесным повреждениям.

⚠ ОСТОРОЖНО

При использовании устройства необходимо соблюдать правила техники безопасности. В целях собственной безопасности и безопасности наблюдающих лиц перед использованием устройства прочитайте приведенные в данном руководстве инструкции. Сохраняйте эту инструкцию для дальнейшего использования.

⚠ ОСТОРОЖНО

Данное устройство не предназначено для использования детьми или лицами с ограниченными физическими, психическими или сенсорными возможностями. Не допускайте того, чтобы дети играли с этим устройством.

⚠ ОСТОРОЖНО

В некоторых регионах существуют правила, ограничивающие использование этого продукта. Проконсультируйтесь с местными органами власти.

ОБУЧЕНИЕ

- Внимательно прочтите данные инструкции. Ознакомьтесь с элементами управления и правилами эксплуатации изделия.
- Никогда не позволяйте детям или людям, незнакомым с этими инструкциями, использовать данное изделие. Местные инструкции могут ограничить возраст оператора.
- Не допускайте прохожих, детей и домашних животных ближе чем на 15 м от рабочей зоны. Остановите устройство, если кто-то войдет в рабочую зону.
- Не работайте с изделием, если вы утомлены, больны, находитесь в состоянии алкогольного, наркотического опьянения или под воздействием лекарственных средств.
- Иметь в виду, что оператор или пользователь ответственны за несчастные случаи или опасности, встречающиеся другим людям или их собственности.

ПОДГОТОВКА

- Используйте надежные приспособления для защиты глаз и органов слуха при работе с продуктом. При работе в зоне, где есть риск падения предметов, необходимо носить защитную каску.
- Средства защиты органов слуха ограничивают возможность оператора слышать предупредительные звуковые сигналы. Обращайте особое внимание на потенциальные опасности вокруг и внутри рабочей зоны.
- Работайте в толстых длинных брюках, сапогах и перчатках. Не допускается ношение слишком свободной одежды, коротких брюк, ювелирных изделий. Запрещается работать босиком.
- Соберите длинные волосы выше плеч, чтобы предотвратить их попадание в движущиеся части.
- Перед использованием устройства или после него убедитесь, что в нем нет поврежденных деталей. Для ремонта или замены неисправного переключателя или любой детали следует обращаться в авторизованный сервисный центр.
- Убедитесь в том, что чистящая насадка правильно установлена и надежно закреплена.
- Никогда не эксплуатируйте изделие, если все защитные приспособления, отражатели и ручки не будут правильно и надежно закреплены.
- Рассмотрите окружающую среду, в которой Вы работаете. Держите рабочее место свободным от проводов, палок, камней и мусора, которые при столкновении с режущим устройством могут вылететь с большой скоростью.



EN
FR
DE
ES
IT
NL
PT
DA
SV
FI
NO
RU
PL
CS
HU
RO
LV
LT
ET
HR
SL
SK
BG
UK
TR

ЭКСПЛУАТАЦИЯ УСТРОЙСТВА С АККУМУЛЯТОРНЫМ ПИТАНИЕМ И УХОД ЗА НИМ

- Зарядку выполняйте только с использованием зарядного устройства, указанного изготовителем. Зарядное устройство, подходящее к одному типу аккумуляторных батарей, может создать опасность возгорания при использовании с аккумуляторными батареями другого типа.
- Используйте электрические устройства только со специально предназначенными для них аккумуляторными батареями. Использование аккумуляторных батарей другого типа может привести к телесным повреждениям или возгоранию.
- Если аккумуляторная батарея не используется, храните ее отдельно от других металлических предметов, например канцелярских скрепок, монет, ключей, гвоздей, винтов и других мелких металлических предметов, которые могут привести к замыканию контактов батареи. Замыкание контактов батареи может вызвать ожоги или привести к возгоранию.
- При ненормальных условиях из батареи может вытечь жидкость, избегайте контакта с ней. Если этого избежать не удалось, смойте жидкость водой. Если жидкость попала в глаза, после их промывания обратитесь за медицинской помощью. Жидкость, вытекающая из батареи, может вызвать раздражение или ожог.

ТРЕБОВАНИЯ БЕЗОПАСНОСТИ ПРИ ИСПОЛЬЗОВАНИИ БЕСПРОВОДНОГО ПЫЛЕСОСА ДЛЯ ПАТИО

- Никогда не позволяйте детям или людям с ограниченными физическими, сенсорными или умственными способностями, а также людям, незнакомым с этими инструкциями, использовать это устройство.
- Используйте изделие при дневном свете или хорошем искусственном освещении.
- Необходимо сохранять устойчивость и баланс и соблюдать осторожность при спуске.
- Запрещается падать при эксплуатации продукта.
- Передвигайтесь шагом, не бегайте.
- Удерживайте насадку ниже уровня талии.
- Запрещается использовать изделие, если защитные устройства повреждены или вообще не установлены.
- Не допускайте попадания рук и стоп в зону очистки, особенно при включении двигателя.
- Запрещается использовать изделие, если защитные устройства повреждены или вообще не установлены.
- Выключите устройство и извлеките аккумуляторный блок. Убедитесь в полной остановке всех движущихся деталей:
 - перед техническим обслуживанием
 - перед тем, как оставить инструмент без присмотра

- перед устранением засора
 - перед проверкой, чисткой и техобслуживанием продукта;
 - перед заменой принадлежностей
 - после удара о посторонний предмет
 - при выполнении технического обслуживания
 - если продукт начинает вибрировать
- Используйте надежные приспособления для защиты глаз и органов слуха при работе с продуктом. При работе в зоне, где есть риск падения предметов, необходимо носить защитную каску.
 - Средства защиты органов слуха ограничивают возможность оператора слышать предупредительные звуковые сигналы. Обращайте особое внимание на потенциальные опасности вокруг и внутри рабочей зоны.
 - Соберите длинные волосы выше плеч, чтобы предотвратить их попадание в движущиеся части.
 - Всегда проверяйте устройство на отсутствие грязи в вентиляционных отверстиях.
 - Перед использованием устройства или после него убедитесь, что в нем нет поврежденных деталей. В случае неисправности выключателя или повреждения какой-либо детали необходимо обратиться в авторизованный сервисный центр для выполнения ремонта или замены.
 - Не вносите никаких изменений в конструкцию устройства, это может повысить риск получения травмы.
 - В случае аварии или поломки незамедлительно выключите устройство и извлеките аккумуляторный блок. Не используйте устройство, обратитесь в гарантийное обслуживание для дальнейшей проверки.
 - Всегда проверяйте изделие на обрабатываемом материале перед полноценным использованием.

ТРЕБОВАНИЯ БЕЗОПАСНОСТИ ПРИ ИСПОЛЬЗОВАНИИ ДОПОЛНИТЕЛЬНОЙ АККУМУЛЯТОРНОЙ БАТАРЕИ

⚠ ОСТОРОЖНО

Для предотвращения опасности пожара в результате короткого замыкания, травм и повреждения изделия не опускайте инструмент, сменный аккумулятор или зарядное устройство в жидкости и не допускайте попадания жидкостей внутрь устройств или аккумуляторов. Коррозионные и проводящие жидкости, такие как соленый раствор, определенные химикаты, отбеливающие средства или содержащие их продукты, могут привести к короткому замыканию.

ТРАНСПОРТИРОВКА И ХРАНЕНИЕ

- Остановите устройство, извлеките батарею и дайте им остыть перед постановкой на хранение или транспортировкой.
- Очистите устройство от всех посторонних материалов.





- Нельзя осуществлять хранение и транспортировку инструмента с установленными аккумуляторами, их необходимо извлечь и хранить отдельно. Храните его в прохладном, сухом, хорошо проветриваемом и недоступном для детей месте. Не держите бензопилу рядом с коррозионными веществами, такими как садовые химикаты или размораживающая соль. Не храните на открытом воздухе.
- Храните устройство в недоступном для детей месте.
- Для транспортировки закрепите изделие так, чтобы оно не могло перемещаться или упасть во избежание травмирования персонала или повреждения изделия.

ПЕРЕВОЗКА ЛИТИЕВЫХ БАТАРЕЙ

Транспортировку батареи осуществляйте в соответствии местными и национальными нормами и положениями. Следуйте всем особым требованиям к упаковке и маркировке при транспортировке батареи в сторонние организации.

Проверьте, чтобы батарея не соприкасалась с другими батареями или токопроводящими материалами во время транспортировки, защитив открытые контакты с помощью изоляции, непроводящих колпачков или пленки. Не транспортируйте поврежденные или протекающие батареи. За консультацией обращайтесь в транспортно-экспедиционную компанию.

ОБСЛУЖИВАНИЕ

⚠ ОСТОРОЖНО

Используйте только оригинальные запчасти, аксессуары и насадки от производителя. Невыполнение этого требования может привести к травме, к снижению производительности и к аннулированию гарантии.

⚠ ОСТОРОЖНО

Обслуживание требует чрезвычайной заботы и знания и должно быть выполнено только квалифицированным техником обслуживания. Обратитесь в авторизованный сервисный центр. При выполнении технического обслуживания используйте только оригинальные запчасти от производителя.

- Перед проведением технического обслуживания или очистки выключите устройство и извлеките аккумуляторный блок.
- Вы можете также выполнить другие виды регулировки и ремонтные работы, описанные в данном руководстве. По вопросу ремонта обращайтесь в авторизованный сервисный центр.
- Проверить все болты, задвижки, и винты, через короткие интервалы, на надлежащую плотность, чтобы убедиться, что изделие находится в

безопасном, рабочем состоянии. В случае повреждения какой-либо детали необходимо обратиться в авторизованный сервисный центр для выполнения надлежащего ремонта или замены.

- Обратитесь в авторизованный сервисный центр для замены поврежденных или нечитаемых этикеток изделия.

БУДЬТЕ ВСЕГДА ОСТОРОЖНЫ

Даже когда изделие используют согласно инструкциям, невозможно полностью устранить факторы риска. Следующие опасные факторы могут возникнуть в ходе использования, и оператор должен обращать особое внимание, чтобы избежать следующих опасностей:

- Травмы, вызываемые вибрацией
 - Держите изделие только за предназначенные для этого ручки и соблюдайте рабочий режим.
- Травма, вызванная шумом.
 - Носите устройства защиты слуха и ограничивайте продолжительность шумового воздействия
- Травмы, вызванные разлетающимися частицами.
 - Обязательно носите устройства для защиты глаз.

СНИЖЕНИЕ РИСКА

Считается, что вибрация ручного инструмента может привести к проявлению у отдельных лиц так называемой болезни Рейно (Raynaud's Syndrome). К симптомам могут относиться покалывание, онемение и побеление пальцев (как при переохлаждении). Считают, что наследственные факторы, охлаждение и влажность, диета, курение и практический опыт способствуют развитию этих симптомов. Ниже приводятся меры, которые может принять оператор для снижения воздействия вибрации:

- Одевайтесь теплее в холодную погоду. При эксплуатации изделия носите перчатки, чтобы сохранить руки и запястья в тепле. Считается, что холодная погода является основным фактором, способствующим возникновению болезни Рейно (Raynaud's Syndrome).
- После каждого этапа работы выполните упражнения для усиления кровообращения.
- Чаще делайте перерывы в работе. Сократите длительность ежедневного пребывания на открытом воздухе.

При появлении каких-либо из указанных симптомов сразу же прекратите работу и обратитесь по их поводу к врачу.

⚠ ОСТОРОЖНО

Слишком продолжительное использование инструмента может привести к травме. При использовании инструмента в течение длительного времени делайте регулярные перерывы.



ИЗУЧИТЕ УСТРОЙСТВО

См. стр. 138.

Детали

1. Курок блокировки
2. Курковый выключатель
3. Проволочная щетка
4. Колеса
5. Роликовая щетка в сборе
6. Роликовая щетка
7. Зарядное устройство
8. Крышка аккумулятора
9. Аккумулятор
10. Кнопка для смены насадки
11. Телескопический фиксатор
12. Ручка
13. Рукотка

УСЛОВНЫЕ ОБОЗНАЧЕНИЯ НА ПРОДУКТЕ



Внимательно прочитайте все инструкции перед началом работы с продуктом, соблюдайте все предупреждения и инструкции по безопасности.



Используйте средства защиты органов зрения



Следует надевать средства защиты органов слуха



Надевайте защитные перчатки



При работе с данным изделием надевайте нескользящую защитную обувь.



Не подвергайте инструмент воздействию дождя и не используйте в условиях повышенной влажности.



Помните об опасности, которую представляют собой отбрасываемые устройством или вылетающие из-под него предметы. Не допускайте приближения посторонних лиц, особенно детей и домашних животных к рабочей зоне ближе чем на 15 м



Оберегайте руки



Отработанная электротехническая продукция должна уничтожаться вместе с бытовыми отходами. Утилизируйте, если имеется специальное техническое оборудование. По вопросам утилизации проконсультируйтесь с местным органом власти или предприятием розничной торговли.



Настоящий инструмент отвечает всем официальным стандартам страны ЕС, в которой он был приобретен.



Знак Евразийского Соответствия Сертификат Соответствия № TC RU C-DE.PC52.B.00003/18 Срок действия Сертификата Соответствия По 19.12.2023
ООО «Региональный центр оценки соответствия»
123060, город Москва, улица Маршала Рыбалко, дом, корпус 9, помещение 638



Украинский знак стандартизации

Следующие сигнальные слова и значения предназначены для того, чтобы объяснить уровень риска, связанного с этим изделием:



ОПАСНО

Указывает неизбежно опасную ситуацию, которая, если не избежать, кончится смертельным или серьезным ущербом.



ОСТОРОЖНО

Указывает потенциально опасную ситуацию, которая, если не избежать, может кончиться смертельным или серьезным ущербом.



ПРЕДОСТЕРЕЖЕНИЕ

Указывает потенциально опасную ситуацию, которая, если не избежать, может кончиться малым или уменьшенным ущербом.



ПРЕДОСТЕРЕЖЕНИЕ

(Без Символа Тревоги Безопасности) Указывает ситуацию, которая может кончиться повреждением собственности.

УСЛОВНЫЕ ОБОЗНАЧЕНИЯ В ДАННОМ РУКОВОДСТВЕ



Детали или принадлежности, приобретаемые отдельно



Примечание



Осторожно

Транспортировка:

Категорически не допускается падение и любые механические воздействия на упаковку при транспортировке.

При разгрузке/погрузке не допускается использование любого вида техники, работающей по принципу зажима упаковок.

Хранение:

Необходимо хранить в сухом месте.

Необходимо хранить вдали от источников повышенных температур и воздействия солнечных лучей.

При хранении необходимо избегать резкого перепада температур.

Хранение без упаковки не допускается.

Срок службы изделия:

Срок службы изделия составляет 5 лет.

Не рекомендуется к эксплуатации по истечении 5 лет хранения с даты изготовления без предварительной проверки.

Дата изготовления (код даты) отштампован на поверхности корпуса изделия.

Пример:

W17 Y2015, где Y2015 - год изготовления

W17 – неделя изготовления

Определить месяц изготовления можно согласно приведенной ниже таблице, на примере 2015 года.

Обратите внимание! Количество недель в месяце различается от года в год.

Месяц	Январь	Февраль	Март	Апрель	Май	Июнь	Июль	Август	Сентябрь	Октябрь	Ноябрь	Декабрь	Год
Неделя	01	05	09	14	18	22	27	31	36	40	44	49	2015
	02	06	10	15	19	23	28	32	37	41	45	50	
	03	07	11	16	20	24	29	33	38	42	46	51	
	04	08	12	17	21	25	30	34	39	43	47	52	
	05	09	13	18	22	26	31	35	40	44	48	53	
			14			27							



Bezpieczeństwo, efektywność i niezawodność były czynnikami o najwyższym priorytecie w trakcie projektowania Państwa bezprzewodowej myjki do tarasów.

PRZEZNACZENIE URZĄDZENIA

Myjkę do tarasów powinny obsługiwać odpowiedzialne za swoje czyny osoby dorosłe, które przeczytały i zrozumiały instrukcje i ostrzeżenia zawarte w niniejszym podręczniku.

Produkt jest przeznaczony wyłącznie do zastosowań zewnętrznych lub w dobrze wentylowanych pomieszczeniach. Produkt przeznaczony jest do czyszczenia powierzchni płaskich, spoin i powierzchni łączników zewnętrznych, w tym płyt kamiennych, płytek, kostki brukowej i powierzchni drewnianych. Produkt nie nadaje się do zastosowań pionowych, takich jak mycie ścian domów i powierzchni znajdujących się nad operatorem, takich jak sufity.

Nie używać do żadnych innych celów.

OGÓLNE ZASADY BEZPIECZEŃSTWA DOTYCZĄCE URZĄDZEŃ ELEKTRYCZNYCH

OSTRZEŻENIE

Prosimy o uważne zapoznanie się z ostrzeżeniami, instrukcjami i specyfikacjami dostarczonymi z tym narzędziem oraz z zawartymi w nich ilustracjami. Nieprzestrzeganie wszystkich podanych poniżej instrukcji może skutkować porażeniem elektrycznym, pożarem lub.

Zachowajcie te ostrzeżenia i zalecenia, aby móc się do nich odnieść w późniejszym czasie.

Wyrażenie «elektronarzędzie» używane w poniższych przepisach bezpieczeństwa oznacza zarówno elektronarzędzia przewodowe jak i elektronarzędzia bezprzewodowe (akumulatorowe).

BEZPIECZEŃSTWO W STREFIE ROBOCZEJ

- **Dopilnujcie, aby wasza przestrzeń robocza była czysta i dobrze oświetlona.** „Zagracone” i słabo oświetlone miejsca pracy to częsta przyczyna wypadków.
- **Nie używajcie elektronarzędzi w otoczeniu wybuchowym, na przykład w pobliżu płynów, gazu czy też pyłów łatwopalnych.** Iskry wytworzone przez elektronarzędzia mogłyby doprowadzić do ich zapalenia czy wybuchu.
- **Kiedy używacie elektronarzędzi, trzymajcie z dala dzieci i osoby postronne dotyczy to również zwierząt.** Mogłyby one odwrócić waszą uwagę i spowodować utratę kontroli nad narzędziem.

BEZPIECZEŃSTWO ELEKTRYCZNE

- **Wtyczka elektronarzędzia musi być dostosowana do gniazda. Nigdy nie dokonujcie interwencji (napraw) na wtyczce. Nigdy nie używajcie adaptatora z elektronarzędziami uziemnionymi lub połączonymi z korpusem.** W ten sposób unikniecie ryzyka porażenia prądem.
- **Unikajcie wszelkiego kontaktu z powierzchniami**

uziemnionymi lub połączonymi z korpusem (takimi jak: przewody, grzejniki, kuchenki, lodówki, itd.) Ryzyko porażenia prądem elektrycznym wzrasta, kiedy jakaś część waszego ciała styka się z powierzchniami uziemnionymi lub połączonymi z korpusem.

- **Nie wystawiajcie waszego elektronarzędzia na deszcz czy wilgoć.** Ryzyko porażenia prądem elektrycznym wzrasta, kiedy woda wnika do elektronarzędzia.
- **Przewód zasilający należy utrzymywać w dobrym stanie. Nie trzymajcie nigdy narzędzia za przewód zasilający i nigdy nie ciągnijcie za przewód zasilający w celu wyłączenia narzędzia. Trzymajcie przewód zasilający z dala od wszelkiego źródła ciepła, oleju czy wszelkich ostrych przedmiotów i poruszających się części.** Ryzyko porażenia prądem elektrycznym wzrasta, jeżeli przewód jest uszkodzony lub zaplątany.
- **Kiedy pracujecie na zewnątrz (w plenerze), używajcie wyłącznie przedłużaczy przewidzianych do użytku na zewnątrz.** W ten sposób unikniecie ryzyka porażenia prądem.
- **Jeżeli już musicie używać waszego narzędzia w wilgotnym otoczeniu, podłączcie się do zasilania elektrycznego zabezpieczonego urządzeniem ochronnym różnicowoprądowym (RCD).** Użycie urządzenia RCD zmniejsza ryzyko porażenia prądem elektrycznym.

BEZPIECZEŃSTWO OSOBISTE

- **Podczas użytkowania elektronarzędzia, zachowajcie czujność, patrzcie uważnie na to co robicie i odwołujcie się do zdrowego rozsądku. Nie używajcie waszego narzędzia, kiedy jesteście zmęczeni, pod wpływem alkoholu, narkotyków czy leków. Nigdy nie zapomnijcie, że wystarczy ułamek sekundy nieuwagi, aby doszło do poważnego zranienia.**
- **Używajcie środków ochronnych. Należy zawsze chronić oczy.** Aby uniknąć ryzyka poważnych obrażeń ciała, w zależności od warunków pracy zakładajcie maskę przeciwpyłową, obuwie przeciwpoślizgowe, kask lub ochrony słuchowe.
- **Unikajcie wszelkiego przypadkowego włączenia. Przed podłączeniem waszego narzędzia do gniazdka lub włożeniem akumulatora upewnijcie się czy wyłącznik jest na ”wyłączone”, to samo kiedy bierzecie do ręki czy przenosicie narzędzie.** Aby uniknąć ryzyka wypadków, nie przenoście waszego narzędzia trzymając palec na włączniku i nie podłączajcie go do gniazdka /nie wkładajcie akumulatora, kiedy włącznik jest w pozycji „włączone”.
- **Wymijcie klucze zaciskowe przed uruchomieniem waszego narzędzia.** Klucz zaciskowy, który pozostaje przyczepiony do ruchomej części narzędzia może spowodować poważne obrażenia ciała.
- **Zawsze zachowujcie pozycję równowagi. Opierajcie się dobrze na waszych nogach i nie wyciągajcie ramion zbyt daleko.** W razie nieprzewidzianego wydarzenia, stabilna pozycja przy pracy umożliwia lepsze panowanie nad narzędziem.
- **Noście odpowiednie ubrania. Nie noście luźnych ubrań, czy też biżuterii. Włosy i odzież należy utrzymywać z dala od ruchomych części.** Luźne ubrania, biżuteria i długie włosy, mogą zostać



pochwycone przez poruszające się części.

- Jeżeli wasze narzędzie zostało dostarczone z systemem zasysania pyłu, dopilnujcie by był on poprawnie zainstalowany i używany. W ten sposób unikniecie ryzyka wypadku.
- Należy pamiętać, że dotychczasowe przyzwyczajenia związane z częstym korzystaniem z narzędzi nie powinny stać się przyczyną ignorowania zasad bezpiecznego posługiwania się nimi. Wystarczy ułamek sekundy, aby brak uwagi spowodował poważne obrażenia.

SPOSÓB UŻYCIA I KONSERWACJA ELEKTRONARZĘDZI

- Nie przeciążajcie waszego narzędzia. Należy używać narzędzia dostosowanego do prac, które chcecie wykonać. Wasze narzędzie będzie bardziej wydajne i pewne, jeżeli będziecie je używali w zakresie przewidzianych obciążeń.
- Nie używajcie waszego elektronarzędzia jeżeli wyłącznik nie pozwala na jego zatrzymanie i uruchomienie. Narzędzie, które nie może być poprawnie włączone i wyłączone jest niebezpieczne i musi być obowiązkowo naprawione.
- Przed regulacją, wymianą akcesoriów lub składowaniem narzędzi zasilanych należy wyciągnąć wtyczkę z gniazda i/lub wymontować z narzędzia akumulator, o ile można go odłączyć. W ten sposób ograniczycie ryzyko przypadkowego uruchomienia narzędzia.
- Przechowujcie wasze elektronarzędzia poza zasięgiem dzieci. Nie pozwalajcie używać narzędzia osobom, które go nie znają bądź nie zapoznały się z niniejszymi przepisami bezpieczeństwa. Elektronarzędzia są niebezpieczne w rękach niedoświadczonych osób.
- Konserwacja narzędzi zasilanych i akcesoriów. Sprawdźcie ustawienie ruchomych części. Sprawdźcie czy jakaś część nie jest zepsuta. Skontrolujcie montaż i wszelkie elementy, które mogłyby ujemnie wpłynąć na działanie narzędzia. Jeżeli jakieś części są uszkodzone, dajcie wasze narzędzie do naprawy zanim zaczniecie go używać. Przyczyną wielu wypadków była zła konserwacja narzędzi.
- Zachowujcie wasze narzędzia zawsze naostrzone i czyste. Narzędzie tnące dobrze naostrzone i czyste przedstawia mniejsze ryzyko zablokowania i łatwiej zachować nad nim kontrolę.
- Używajcie narzędzie elektryczne, jego akcesoria, nasadki, etc. zgodnie z niniejszą instrukcją obsługi biorąc pod uwagę warunki użytkowania i pożądane zastosowania. Aby uniknąć niebezpiecznych sytuacji, nie używajcie waszego narzędzia do prac, do których nie było ono zaprojektowane.
- Uchwyty i inne powierzchnie chwytne należy utrzymywać w stanie suchym, czystym i wolnym od olejów oraz smaru. Śliskie uchwyty i inne powierzchnie chwytne nie pozwalają na bezpieczne manipulowanie narzędziem oraz zachowanie kontroli nad nim w niebezpiecznych sytuacjach.

WYMOGI BEZPIECZEŃSTWA SPECYFICZNE DLA ELEKTRONARZĘDZI BEZPRZEWODOWYCH

- Ładujcie akumulator waszego narzędzia jedynie ładowarką zalecaną przez producenta. Ładowarka odpowiednia dla pewnego typu akumulatorów może wywołać pożar, jeżeli jest używana z innym typem akumulatora.
- Do narzędzia bezprzewodowego należy stosować tylko specyficzny dla niego akumulator. Użycie jakiegokolwiek innego akumulatora może spowodować pożar.
- Kiedy akumulator nie jest używany, trzymajcie go z daleka od przedmiotów metalowych, jak: spinacze, monety, klucze, śrubki, gwoździe czy wszelkie przedmioty mogące doprowadzić do połączenia płytek stykowych. Zwarcie płytek stykowych baterii akumulatorowych może spowodować poparzenia lub pożary.
- Unikajcie wszelkiego kontaktu z płynem akumulatorowym, w przypadku wycieku wynikłego z niewłaściwego użycia. Gdyby do tego doszło, przepłukajcie obficie dotkniętą strefę czystą wodą. Jeżeli wasze oczy zostały dotknięte, zasięgnijcie również porady lekarza. Płyn, który wypłynął z akumulatora może spowodować podrażnienia skóry lub poparzenie.
- Nie należy stosować akumulatorów i narzędzi, które uległy uszkodzeniu lub były modyfikowane. Uszkodzone lub zmodyfikowane akumulatory mogą zachowywać się w sposób nieprzewidywalny, co może prowadzić do pożaru, wybuchu lub ryzyka uszczerbku na zdrowiu.
- Nie narażajcie akumulatora ani narzędzia na działanie ognia lub zbyt wysokiej temperatury. Narażenie na ogień lub temperaturę powyżej 130°C może spowodować wybuch.
- Należy przestrzegać wszystkich instrukcji dotyczących ładowania i nie ładować akumulatora lub narzędzia w temperaturach innych niż podane w instrukcji. Ładowanie w niewłaściwy sposób lub w temperaturach spoza podanego zakresu może spowodować uszkodzenie akumulatora i zwiększyć ryzyko pożaru.

KONSERWACJA

- Naprawy powinny być wykonywane przez wyspecjalizowanego technika i jedynie przy użyciu oryginalnych części zamiennych. W ten sposób możecie bezpiecznie używać waszego elektronarzędzia.
- Nigdy nie należy samodzielnie serwisować uszkodzonych akumulatorów. Serwisowaniem akumulatorów powinni zajmować się wyłącznie producent lub autoryzowani serwisanci.

OGÓLNE OSTRZEŻENIA DOTYCZĄCE BEZPIECZEŃSTWA PRACY

⚠ OSTRZEŻENIE

Należy zapoznać się ze wszystkimi dostarczonymi z tym produktem instrukcjami, ilustracjami i specyfikacjami. Niezastosowanie się do ostrzeżeń i instrukcji może spowodować porażenie prądem, pożar oraz/lub poważne obrażenia ciała.

⚠ OSTRZEŻENIE

Podczas używania tego urządzenia należy przestrzegać odpowiednich zasad bezpieczeństwa. Aby zapewnić bezpieczeństwo sobie i osobom postronnym, przed przystąpieniem do użytkowania urządzenia należy zapoznać się z niniejszą instrukcją. Należy zachować te instrukcje do wykorzystania w przyszłości.

⚠ OSTRZEŻENIE

Produkt ten nie jest przeznaczony do użytkowania przez dzieci lub osoby o ograniczonych zdolnościach fizycznych, umysłowych lub sensorycznych. Należy dopilnować, aby dzieci nie bawiły się produktem.

⚠ OSTRZEŻENIE

W niektórych regionach obowiązują przepisy ograniczające możliwość eksploatacji produktu. Należy skontaktować się z lokalnymi urzędami i zasięgnąć informacji.

SZKOLENIE

- Przeczytać uważnie wszystkie instrukcje. Należy zapoznać się z przyrządami sterowania oraz zasadami prawidłowej obsługi produktu.
- Nigdy nie wolno pozwalać obsługiwać tego produktu dzieciom ani osobom nieznanym tych instrukcji. Lokalne przepisy mogą ograniczać dopuszczalny wiek operatora.
- Osoby postronne, dzieci i zwierzęta muszą znajdować się w odległości przynajmniej 15 metrów od miejsca pracy. Jeśli na obszarze znajduje się inna osoba, należy zatrzymać produkt.
- Nigdy nie wolno używać produktu, gdy użytkownik jest zmęczony lub pod wpływem alkoholu, narkotyków lub leków.
- Należy pamiętać, że operator lub użytkownik jest odpowiedzialny za spowodowanie wypadku lub zagrożenia bezpieczeństwa osób i mienia.

PRZYGOTOWANIE

- Należy nosić pełne zabezpieczenie oczu i uszu podczas obsługi produktu. W przypadku pracy w miejscu, gdzie występuje ryzyko spadających przedmiotów, należy nosić kask.
- Środki ochrony słuchu mogą ograniczać zdolność

operatora do usłyszenia dźwięków ostrzegawczych. Należy zwracać szczególną uwagę na potencjalne zagrożenia na obszarze pracy.

- Założyć grube, długie spodnie, wysokie buty i rękawice. Nie należy nosić luźnego ubrania, krótkich spodenek, biżuterii oraz nie chodzić boso.
- Długie włosy należy związać, aby znajdowały się powyżej ramion i aby nie zostały pochwycone przez maszynę.
- Przed użyciem oraz po jakimkolwiek uderzeniu należy sprawdzić, czy żadna część nie jest uszkodzona. Uszkodzony przełącznik lub inna uszkodzona lub zużyta część muszą być odpowiednio naprawione lub wymienione przez autoryzowany punkt serwisowy.
- Należy upewnić się, że przystawka myjąca jest prawidłowo zainstalowana i dobrze zamocowana.
- Nigdy nie wolno używać produktu, jeśli jakkolwiek osłona, deflektor lub uchwyty nie są prawidłowo i dobrze zamocowane.
- Należy uwzględnić warunki otoczenia, w którym mają być wykonywane prace. Na miejscu pracy nie mogą znajdować się druty, przewody, patyki, kamienie ani gruz, ponieważ w przypadku uderzenia przez nóż mogą zostać odrzucone.

UŻYTKOWANIE I OBSŁUGA AKUMULATORA

- Ładować wyłącznie za pomocą ładowarki dostarczonej przez producenta. Ładowarka przeznaczona do jednego modelu akumulatora może być przyczyną pożaru w przypadku zastosowania do ładowania akumulatora innego typu.
- Używać narzędzi ręcznych z napędem elektrycznym wyłącznie z akumulatorami przeznaczonymi do tych urządzeń. Używanie innych akumulatorów wiąże się ze zwiększonym ryzykiem pożaru lub obrażeń ciała.
- Gdy akumulator nie jest używany, przechowywać go z dala od innych metalowych przedmiotów, np. spinaczy, monet, kluczy, gwoździ, śrub lub innych małych metalowych przedmiotów, które mogłyby utworzyć połączenie między stykami, prowadząc do zwarcia. Zwarcie styków akumulatora może spowodować oparzenia lub pożar.
- W przypadku niewłaściwej obsługi może dojść do wycieku płynu z akumulatora, należy unikać kontaktu z tym płynem. Miejsce ewentualnego kontaktu przepłukać wodą. W przypadku, gdy płyn dostanie się do oczu, po przemyciu zwrócić się o pomoc do lekarza. Płyn wyciekający z akumulatora może powodować podrażnienia i oparzenia.

BEZPRZEWODOWA MYJKA DO TARASÓW — OSTRZEŻENIA DOTYCZĄCE BEZPIECZEŃSTWA

- Nie wolno pozwalać używać tego produktu dzieciom lub osobom o ograniczonych zdolnościach fizycznych, sensorycznych lub umysłowych ani osobom, które nie przeczytały tych instrukcji.
- Produkt należy używać przy świetle dziennym lub przy dobrym oświetleniu sztucznym.
- Należy zapewnić zawsze właściwe podparcie stóp, zwłaszcza na stokach.

- Podczas używania produktu nie należy chodzić do tyłu.
- Podczas pracy należy chodzić, nie wolno biegać.
- Utrzymywać przystawkę z głowicą tnącą poniżej poziomu talii operatora.
- Nie używać produktu z uszkodzonymi osłonami lub bez założonych osłon.
- Zawsze trzymać dłonie i stopy z dala od elementów myjących — zwłaszcza w trakcie włączania silnika.
- Nie używać produktu z uszkodzonymi osłonami lub bez założonych osłon.
- Wyłączyć zasilanie i wymontować akumulator. Upewnić się, że wszystkie elementy ruchome zostały całkowicie zatrzymane:
 - przed serwisowaniem
 - przed pozostawieniem produktu bez nadzoru
 - przed usunięciem zatoru
 - przed sprawdzeniem, czyszczeniem i użytkowaniem produktu,
 - przed wymianą akcesoriów
 - po uderzeniu innym przedmiotem
 - zawsze w trakcie wykonywania konserwacji
 - jeśli produkt zacznie wibrować w nietypowy sposób
- Należy nosić pełne zabezpieczenie oczu i uszu podczas obsługi produktu. W przypadku pracy w miejscu, gdzie występuje ryzyko spadających przedmiotów, należy nosić kask.
- Środki ochrony słuchu mogą ograniczać zdolność operatora do usłyszenia dźwięków ostrzegawczych. Należy zwracać szczególną uwagę na potencjalne zagrożenia na obszarze pracy.
- Długie włosy należy związać, aby znajdowały się powyżej ramion i aby nie zostały pochwycone przez maszynę.
- Otwory wentylacyjne należy utrzymywać w stanie wolnym od zanieczyszczeń.
- Przed użyciem oraz po jakimkolwiek uderzeniu należy sprawdzić, czy żadna część nie jest uszkodzona. Uszkodzony przełącznik lub dowolny inny element należy odpowiednio naprawić lub wymienić w autoryzowanym punkcie serwisowym.
- Nie należy w żadnym sposób modyfikować urządzenia. Może to spowodować większe ryzyko obrażeń ciała operatora lub innych osób.
- W razie wypadku lub awarii natychmiast wyłączyć i wymontować akumulator. Nie należy włączać produktu ponownie, dopóki nie zostanie w pełni sprawdzony przez autoryzowane centrum serwisowe.
- Przed rozpoczęciem pracy zawsze należy sprawdzić produkt na przeznaczonym do czyszczenia materiale.

AKUMULATOR — DODATKOWE OSTRZEŻENIA DOTYCZĄCE BEZPIECZEŃSTWA

⚠ OSTRZEŻENIE

Aby uniknąć niebezpieczeństwa pożaru, obrażeń lub uszkodzeń produktu na skutek zwarcia, nie wolno zanurzać narzędzia, akumulatora wymiennego ani ładowarki w cieczach i należy zatroszczyć się o to, aby do urządzeń i akumulatorów nie dostały się żadne ciecze. Zwarcie spowodować mogą korodujące lub przewodzące ciecze, takie jak woda morska, określone chemikalia i wybielacze lub produkty zawierające wybielacze.

TRANSPORT I PRZECHOWYWANIE

- Przed schowaniem lub transportem produktu należy zatrzymać go, wyjąć akumulator i odczekać, aż ostygnie.
- Usunąć z produktu wszelkie ciała obce i zanieczyszczenia.
- Nie przechowywać ani nie transportować produktu z zamontowanym akumulatorem. Wyjąć akumulator i przechowywać osobno. Należy przechowywać urządzenie w chłodnym, suchym i dobrze wentylowanym miejscu, które jest niedostępne dla dzieci. Nie chowajcie jej w pobliżu czynników żrących, takich jak ogrodowe produkty chemiczne czy sole odmrażające. Nie przechowywać na zewnątrz.
- Urządzenie powinno znajdować się w miejscu niedostępnym dla dzieci.
- W przypadku transportu produktu należy zabezpieczyć go przed przemieszczaniem się lub upadkiem, aby nie dopuścić do obrażeń ciała lub uszkodzenia urządzenia.

TRANSPORTOWANIE AKUMULATORÓW LITOWYCH

Akumulatory należy transportować zgodnie z lokalnymi i krajowymi przepisami i regulacjami. Należy postępować zgodnie z wszystkimi specjalnymi wymaganiami dotyczącymi pakowania i etykietowania akumulatorów podczas transportu przez stronę trzecią.

Upewnij się, że żadne akumulatory nie zetkną się z innymi akumulatorami lub materiałami przewodzącymi podczas transportu; w tym celu należy zabezpieczyć odkryte złącza nieprzewodzącymi nakładkami izolacyjnymi lub taśmą izolacyjną. Nie należy transportować pękniętych ani nieszczelnych akumulatorów. Szczegółowe porady można uzyskać w firmie spedycyjnej.

KONSERWACJA

⚠ OSTRZEŻENIE

Należy stosować wyłącznie oryginalne części zamienne, akcesoria oraz przystawki producenta. W przeciwnym razie może dojść do obrażeń ciała, niskiej wydajności oraz do unieważnienia gwarancji.

⚠ OSTRZEŻENIE

Serwisowanie wymaga wyjątkowej staranności i wiedzy. Może być wykonywane wyłącznie przez wykwalifikowany personel serwisowy. Serwisowanie należy powierzać wyłącznie autoryzowanemu serwisowi. Do serwisowania należy stosować wyłącznie oryginalne części zamienne producenta.

- Przed przystąpieniem do prac konserwacyjnych lub czyszczenia należy wyłączyć i wyjąć akumulator.
- Możesz wykonywać czynności regulacyjne i naprawcze opisane w tej instrukcji obsługi. W przypadku innych napraw należy skontaktować się autoryzowanym punktem serwisowym.
- Systematycznie sprawdzać, czy wszystkie nakrętki, wkręty i śruby są dobrze dokręcone, aby upewnić się, że produkt jest w bezpiecznym stanie. Każdą uszkodzoną część należy odpowiednio naprawić lub wymienić w autoryzowanym punkcie serwisowym.
- Jeśli etykiety są uszkodzone lub nieczytelne, należy zwrócić produkt do punktu serwisowego w celu wymiany etykiet.

RYZIKO ZWIĄZANE Z UŻYTKOWANIEM:

Nawet jeśli produkt jest używany zgodnie z zaleceniami, nadal nie jest możliwe wyeliminowanie określonych czynników ryzyka. Następujące zagrożenia mogą wystąpić podczas używania urządzenia i operator powinien zwracać szczególną uwagę na poniższe punkty:

- Urazy ciała spowodowane przez wibracje
 - Należy trzymać produkt za odpowiednie uchwyty oraz stosować się do zaleceń dotyczących czasu pracy i narażenia.
- Urazy ciała spowodowane hałasem
 - Należy nosić środki ochrony uszu oraz ograniczyć poziom narażenia
- Obrażenia ciała spowodowane wyrzucanymi odpadkami.
 - Stosować przez cały czas środki ochrony oczu.

OGRANICZENIE RYZYKA

Badania dowodzą, że wibracje powodowane przez narzędzia ręczne mogą wywoływać u niektórych osób objawy syndromu Raynauda. Typowe objawy to mrowienie, drętwienie i blednięcie palców, widoczne zwykle po wystawieniu na działanie zimna. Uważa się, że do objawów tych przyczyniają się uwarunkowania genetyczne, narażenie na zimno i wilgoć, dieta, palenie i procedury pracy. Istnieją środki zaradcze, które może podjąć operator narzędzia, aby zmniejszyć efekt wibracji:

- Zadbaj o niskich temperaturach o ciepłotę własnego ciała, zakładając odpowiednie ubranie. Podczas obsługi produktu należy nosić rękawice, aby dłonie i nadgarstki były ciepłe. Wiadomo, że niskie temperatury są główną przyczyną powstawania objawu Raynauda.
- Podczas przerw w pracy należy wykonywać ćwiczenia poprawiające krążenie krwi..

- Podczas pracy robić częste przerwy. Ograniczyć ekspozycję w ciągu dnia.

W razie doświadczenia dowolnego z wymienionych objawów, należy niezwłocznie zaprzestać użytkowania tego urządzenia i skontaktować się z lekarzem.

⚠ OSTRZEŻENIE

Długotrwałe użytkowanie narzędzia może spowodować obrażenia ciała lub nasilić dolegliwości zdrowotne. W przypadku używania narzędzia przed dłuższy czas należy pamiętać o regularnych przerwach.

ZAPOZNAJ SIĘ ZE SWOIM PRODUKTEM

Patrz str. 138.

Części

1. Spust blokady
2. Przycisk uruchamiający
3. Szczotka o sztywnym włosiu
4. Koło
5. Zespół szczotki obrotowej
6. Szczotka obrotowa
7. Ładowarka
8. Zatrask baterii
9. Akumulator
10. Przycisk wymiany akcesorium
11. Zatrask teleskopowy
12. Pokrętko
13. Rękojeść

SYMBOLE UMIESZCZONE NA PRODUKCIE



Należy przeczytać i zrozumieć wszystkie instrukcje przed rozpoczęciem obsługi produktu oraz przestrzegać wszystkich ostrzeżeń i instrukcji dotyczących bezpieczeństwa.



Zakładać środki ochrony wzroku



Nosić środki ochrony słuchu



Zakładać rękawice ochronne



Podczas eksploatacji produktu należy nosić obuwie ochronne z antypoślizgową podszewką.



Nie wystawiać urządzenia na działanie deszczu ani nie używać w miejscach o dużej wilgotności.



Uwaga na odrzucone przedmioty. Wszystkie osoby postronne, a szczególnie dzieci i zwierzęta, muszą znajdować się w odległości przynajmniej 15 metrów od miejsca pracy.



Trzymać ręce z daleka



Zużyte produkty elektryczne nie powinny być utylizowane z odpadami domowymi. Prosimy poddawać recyklingowi w odpowiednich miejscach. Informacje o właściwych metodach recyklingu można uzyskać u władz lokalnych lub sprzedawcy.



Produkt spełnia wszystkie wymagania norm w kraju należącym do Unii Europejskiej, gdzie produkt został zakupiony.



Oznaczenie zgodności EurAsian



Ukraiński znak zgodności

Następujące wyrażenia i znaczenia wyrażają poziom zagrożenia związanego z tym produktem:



NIEBEZPIECZEŃSTWO

Wskazuje na realne zagrożenie, które może spowodować śmierć lub poważne zranienie, jeżeli się nie uniknie tego niebezpieczeństwa.



OSTRZEŻENIE

Wskazuje na potencjalne zagrożenie, które może spowodować śmierć lub poważne zranienie, jeżeli się nie uniknie tego niebezpieczeństwa.



UWAGA

Wskazuje na potencjalne zagrożenie, które może spowodować mniejsze lub bardziej poważne zranienie, jeżeli się nie uniknie tego niebezpieczeństwa.

UWAGA

(Bez symbolu bezpieczeństwa) Wskazuje na sytuację mogącą spowodować straty materialne.

SYMBOLE STOSOWANE W NINIEJSZEJ INSTRUKCJI



Części lub akcesoria sprzedawane osobno



Uwaga



Ostrzeżenie!



V provedení tohoto akumulátorového čističe dlažby hrají hlavní roli bezpečnost, provozní vlastnosti a spolehlivost.

ZAMÝŠLENÉ POUŽITÍ

Tento čistič dlažby je určen k používání dospělými osobami, které četly návod k použití, chápou rizika a nebezpečí s ním spojená a mohou být považovány za osoby zodpovědné za své jednání.

Tento výrobek je určen pouze pro venkovní používání v době větrané oblasti. Tento výrobek je určen k čištění venkovních rovných povrchů, spár a mezilehlých ploch jako jsou kamenné desky, dlaždice, kamenná dlažba a dřevěné plochy. Výrobek se nehodí k čištění svislých ploch jako jsou zdi domu, ani k čištění ve výškách jako je čištění stropů.

Přístroj nepoužívejte ji k jiným účelům.

OBECNÁ BEZPEČNOSTNÍ VAROVÁNÍ K POHÁNĚNÝM NÁSTROJŮM

UPOZORNĚNÍ

Přečtete si pozorně upozornění, pokyny a technické specifikace dané s nářadím a prohlédněte si ilustrace. Nedodržení všech uvedených pokynů může vést k elektrickému šoku, požáru, popřípadě k závažnému poranění.

Uschovejte všechny pokyny a upozornění, abyste se k nim mohli v budoucnosti vrátit.

Termíny „elektronářadí“ nebo elektrické nářadí používané v následující části označují elektrické nářadí, které se zapojuje do elektrické sítě, nebo akumulátorové elektrické nářadí.

ZABEZPEČENÍ PRACOVNÍŠTĚ

- Pracovní plocha musí být čistá a dostatečně osvětlená. Zaházené nebo tmavé oblasti vedou k nehodám.
- Elektrické nářadí nikdy nepoužívejte v místech, kde hrozí nebezpečí výbuchu, například v blízkosti hořlavých kapalin, plynů nebo prachu. Jiskření vznikající při práci s elektronářadím může způsobit požár nebo explozi.
- Při práci s elektronářadím pracujte v bezpečné vzdálenosti od okolních osob, dětí a domácích zvířat. Při práci nerozptylujte svou pozornost, abyste měli nářadí trvale pod kontrolou.

ELEKTRICKÁ BEZPEČNOST

- Koncovka napájecího kabelu musí být kompatibilní se zásuvkou elektrické sítě. Na kabelové koncovce nikdy neprovádějte žádné změny. K zapojení uzemněného elektrického nářadí nebo nářadí připojeného na kostru nepoužívejte síťový adaptér. Vyhnete se tak nebezpečí úrazu elektrickým proudem.
- Při práci se nedotýkejte uzemněných nebo ukostřených ploch (jako například rozvodů, topení, kamen, ledničky apod.). Nebezpečí úrazu elektrickým proudem se zvyšuje, pokud je některá část těla uživatele v kontaktu s uzemněnými plochami nebo

uzemněním.

- **Chraňte elektrické nářadí před deštěm a vlhkem.** Při vniknutí vody do nářadí se zvyšuje riziko úrazu elektrickým proudem.
- **Napájecí kabel je nutné udržovat v dobrém technickém stavu. Nářadí nikdy nedržte za napájecí kabel a neodpojujte je z elektrické sítě taháním za kabel. Napájecí kabel ponechte v dostatečné vzdálenosti od zdrojů tepla, olejů a ostrých předmětů.** Pokud je napájecí kabel poškozený nebo překroucený, zvyšuje se riziko úrazu elektrickým proudem.
- **Pokud pracujete venku, používejte pouze prodlužovací kabely vhodné pro práci ve venkovním prostředí.** Vyhnete se tak nebezpečí úrazu elektrickým proudem.
- **Pokud nelze zabránit použití nářadí ve vlhkém prostředí, použijte zdroj s proudovým chráničem (ochranou pro zbytkový proud).** Použití proudového chrániče snižuje riziko úrazu elektrickým proudem.

OSOBNÍ BEZPEČNOST

- **Buďte opatrní, při práci s elektronářadím pozorně sledujte, co děláte, a řiďte se zdravým rozumem. Nepoužívejte elektrické nářadí, pokud jste unavení, pod vlivem alkoholu, drog nebo užíváte-li léky, které snižují pozornost.** Nezapomeňte, že i pouhy okamžik nepozornosti může být příčinou závažného úrazu.
- **Používejte osobní ochranné prostředky. Vždy chraňte své oči.** V závislosti na pracovních podmínkách používejte protiprašný respirátor, protiskluzovou obuv, přílbu a chrániče sluchu. Snižte tak riziko tělesného úrazu.
- **Vyvarujte se tak náhodnému spuštění nářadí. Před připojením nářadí ke zdroji elektrického napětí (do elektrické sítě nebo před zasunutím akumulátoru) a před přenášením nářadí zkontrolujte, zda je spínač nářadí ve vypnuté poloze.** Zbytečně se nevystavujte riziku úrazu a při přenášení nářadí nebo při zasouvání akumulátoru nedržte prst na spínači a nepřepínejte spínač do polohy „zapnuto“.
- **Před zapnutím nářadí odstraňte utahovací klíče.** Uťahovací klíč nasazený na některý z pohybujících se dílů nářadí může způsobit vážný úraz.
- **Vždy pracujte v rovnovážné a stabilní poloze. Stůjte pevně oběma nohama na stabilní ploše, ruce nenatahujte příliš daleko nebo vysoko.** Stabilní pracovní poloha umožňuje lepší kontrolu nářadí v případě nepředvídané události.
- **Noste vhodný přiléhavý pracovní oděv. Nenoste široký plandající oděv a šperky. Udržujte vlasy a oblečení v dostatečné vzdálenosti od pohyblivých částí.** Široký oděv, šperky a dlouhé vlasy by se v nich mohly zachytit.
- **Pokud je nářadí dodáno se sběrným vakem / odsávacím prachem, zkontrolujte, zda jsou odsávací prachu nebo sběrný vak řádně nasazeny na nářadí.** Snižte tak rizika související se vznikem prachu.
- **Nespoléhejte na svou zběhlou pramenící z častého používání výrobku a neignorujte bezpečnostní principy výrobku.** Nedbalost může způsobit závažné poranění ve zlomku vteřiny.





POUŽÍVÁNÍ A ÚDRŽBA ELEKTRICKÉHO NÁŘADÍ

- Na nářadí netlačte. Nářadí vybírejte podle povahy práce, kterou chcete provádět. Elektrické nářadí nepřetěžujte, dodržujte předepsaný pracovní režim, nářadí tak bude bezpečnější a účinnější.
- Nářadí nepoužívejte, pokud ho nelze zapnout nebo vypnout hlavním spínačem. Nářadí, které nelze správně zapnout a vypnout, je nebezpečné a je bezpodmínečně nutné ho nechat opravit.
- Před jakýmkoli úpravami, výměnou příslušenství či uložením elektrického náčiní vyjměte zástrčku ze zdroje elektrického napájení, popřípadě vyjměte baterii z výrobku. Omezíte tak riziko nechtěného spuštění nářadí.
- Nářadí uskladněte mimo dosah dětí. Nedovolte nezkušeným uživatelům a nepoučeným osobám, které se neseznámily s bezpečnostními předpisy, používat toto nářadí. Nářadí může být nebezpečné v rukou nezkušených osob.
- Provádějte pravidelnou údržbu náčiní a příslušenství. Zkontrolujte, zda jsou pohyblivé prvky stroje v zákrytu. Zkontrolujte, zda žádný díl není zlomený. Zkontrolujte správnost montáže nářadí a funkčnost všech dílů, které mohou narušit bezpečný provoz nářadí. Pokud je některý díl nářadí poškozen, nářadí dále nepoužívejte a nechte ho opravit. Řada úrazů bývá zapříčiněna nesprávnou údržbou nářadí.
- Nářadí udržujte čisté a naostřené. Správně naostřené a čisté nářadí bude méně blokovat. Nářadí tak budete mít lépe pod kontrolou.
- Elektrické nářadí a jeho příslušenství používejte v souladu s pokyny v návodu a dodržujte doporučené podmínky používání vzhledem k povaze práce. Abyste se nedostali do nebezpečné situace, nářadí používejte pouze k předepsaným účelům.
- Rukojeti a úchytné plochy udržujte suché, čisté a zbavené oleje a mastnoty. Kluzké rukojeti a úchytné plochy neumožňují v nečekaných situacích bezpečné použití výrobku a kontrolu nad ním.

SPECIFICKÉ BEZPEČNOSTNÍ POKYNY PŘI POUŽÍVÁNÍ AKUMULÁTOROVÉHO ELEKTRONÁŘADÍ

- K nabíjení akumulátoru použijte pouze nabíječku doporučenou výrobcem. Při použití nevhodné nabíječky, která není kompatibilní s vaším modelem akumulátoru, můžete způsobit požár.
- Akumulátorové nářadí je možné používat pouze s dobíjecím akumulátorem. Používání jiného typu baterií může způsobit požár.
- Pokud akumulátor nepoužíváte, uschovejte ho v dostatečné vzdálenosti od kovových (vodivých) předmětů, jakými jsou např. kancelářské svorky, mince, klíče, hřebíky, šrouby a jiné kovové předměty, které by mohly vytvořit spojení mezi svorkami akumulátoru. Zkratování kontaktů může způsobit jiskření, popáleniny, případně požár.
- Elektrolytu, který může vytékat z akumulátoru při jeho nesprávném používání, se v žádném případě nedotýkejte. Pokud dojde k potřísnění pokožky chemikáliemi, omyjte postižené místo čistou vodou. Při zasažení očí vyhledejte lékaře. Kontakt s chemikáliemi, které mohou vytékat z akumulátoru,

může způsobit podráždění nebo popáleniny.

- **Nepoužívejte baterii ani náčiní, které je poškozené nebo pozměněné.** Poškozené nebo pozměněné baterie se mohou zachovat nepředvidatelným způsobem a způsobit požár, výbuch či riziko poranění.
- **Baterii či výrobek nevystavujte požáru ani vysokým teplotám.** Vystavení požáru či teplotám nad 130°C může způsobit výbuch.
- **Dodržujte pokyny pro nabíjení a baterii či výrobek nabíjejte pouze v teplotním rozmezí uvedeném v pokynech.** Nesprávné nabíjení či nabíjení při teplotě jiné, než je uvedeno v pokynech, může poškodit baterii a zvýšit riziko vzniku požáru.

ÚDRŽBA

- **Opravy smí být prováděny pouze kvalifikovaným opravářem za pomoci originálních náhradních dílů.** Jen tak jsou splněny základní požadavky na bezpečnost elektrického nářadí.
- **Poškozené baterie nikdy neopravujte.** Opravu baterií smí provádět pouze výrobce nebo oprávněná servisní firma.

VŠEOBECNÁ BEZPEČNOSTNÍ VAROVÁNÍ

⚠ VAROVÁNÍ

Přečtěte si všechny bezpečnostní pokyny, ilustrace a specifikace dodané s tímto produktem. Opomenutí dodržování varování a pokynů uvedených níže může způsobit úraz elektrinou požár a/nebo vážná poranění osob.

⚠ VAROVÁNÍ

Při používání výrobku musí být dodrženy bezpečnostní předpisy. Pro vaši vlastní bezpečnost i bezpečnost kolemjdoucích si přečtěte tento návod k obsluze. Uschovejte si prosím bezpečnostní pokyny pro budoucí použití.

⚠ VAROVÁNÍ

Tento nástroj není určen pro používání osobami, včetně dětí, pokud jsou jejich fyzické, pohybové nebo mentální schopnosti sníženy. Dohlédněte, aby si děti se spotřebičem nehrály.

⚠ VAROVÁNÍ

Místní předpisy mohou omezovat použití výrobku. Ověřte si u svého orgánu místní správy toto nařízení.

ZAŠKOLENÍ

- Návod si pečlivě přečtěte. Seznamte se všemi ovládacími a řádným používáním výrobku.
- Nenechte děti nebo osoby neseznámené s těmito pokyny pracovat s výrobkem. Místní předpisy mohou omezovat dobu obsluhy.
- Všechny přihlízející, zvláště děti a zvířata udržujte 15 m





mimo pracovní oblasti. Zastavte výrobek, pokud někdo vstoupí do pracovního prostoru výrobku.

- Výrobek nepoužívejte, pokud jste unavení, nemocní nebo pod vlivem drog, alkoholu či léků.
- Uživatel nebo obsluha tohoto zahradnického nástroje je zodpovědná za nehody nebo nebezpečí způsobená na jiné osobě nebo jejich majetku.

PŘÍPRAVA

- Při práci s výrobkem používejte kompletní ochranu zraku a sluchu. Noste ochrannou helmu, kde hrozí nebezpečí pádu předmětů.
- Ochrana sluchu může omezit schopnost obsluhy slyšet varovné signály. Věnujte zvláštní pozornost na potenciálním nebezpečím kolem a uvnitř pracovní plochy.
- Noste silné dlouhé kalhoty, boty a rukavice. Nenoste volné oděvy, krátké kalhoty, jakékoli šperky; nebudte při práci bosí.
- Dlouhé vlasy si svažte nad rameny, aby se nemohly zaplést do pohyblivých částí.
- Před prací s nástrojem a po nárazu zkontrolujte možné poškození dílů. Pokud je spínač nebo nějaká část poškozena či opotřebená, musí se řádně opravit nebo vyměnit pověřeným servisním střediskem.
- Čisticí nástavec musí být správně instalován a řádně upevněn.
- Nikdy výrobek neprovozujte, dokud nejsou všechny chrániče, vodící plechy a rukojeti řádně a bezpečně připojeny.
- Berte ohled na prostředí, ve kterém pracujete. Z pracovní oblasti odstraňujte dráty, kameny a předměty, které po styku s nástrojem mohou být odmrštěny.

POUŽITÍ A PÉČE O NÁSTROJ NA BATERIE

- Dobíjejte pouze nabíječkou určenou výrobcem. Nabíječka, která je vhodná pro jeden typ akumulátoru může způsobit nebezpečí požáru, pokud se používá s jiným bateriovým modulem.
- Elektrický nástroj používejte pouze s přesně určeným bateriovým modulem. Použití jakéhokoliv jiného akumulátoru může způsobit nebezpečí poranění a požáru.
- Pokud akumulátor nepoužíváte, uchovávejte jej mimo kovové předměty jako svorky pro papír, mince, klíče, hřebíky, šrouby nebo jiné malé kovové předměty, které mohou vytvořit propojení jednoho vývodu s druhým. Zkratování vývodů baterie může způsobit požár nebo popáleniny.
- Za nevhodných podmínek může z baterie vytékat kapalina; zabraňte kontaktu. Pokud dojde k náhodnému kontaktu, omyjte vodou. Pokud kapalina přijde do kontaktu s očima, vyhledejte lékařskou pomoc. Kapalina vytečená z baterie způsobit podráždění nebo popáleniny.

BEZPEČNOSTNÍ UPOZORNĚNÍ K AKUMULÁTOROVÉMU ČISTIČI DLAŽBY

- Produkt není určen pro používání osobami, včetně dětí se sníženými tělesnými, smyslovými nebo duševními schopnostmi nebo s nedostatkem zkušeností a znalostí, pokud neprošly školením ohledně používání, čištění či údržby.
- Používejte ve výrobek dne nebo v dobrém umělém osvětlení.
- Po celou dobu zaujímejte postoj a rovnováhu s pevnou oporou nohou, a to i ve svazích.
- Nechoďte pospět, když výrobek používáte.
- Chodte, nikdy neběhejte.
- Nástavec vyžinače udržujte pod výši pasu.
- Nikdy nepoužívejte výrobek s poškozenými ochrannými kryty nebo bez správně nainstalovaných krytů.
- Nikdy nepřibližujte ruce ani nohy k čisticím prostředkům, obzvláště při zapínání motoru.
- Nikdy nepoužívejte výrobek s poškozenými ochrannými kryty nebo bez správně nainstalovaných krytů.
- Výrobek vypněte a vyjměte baterii. Ujistěte se, že se zastavily všechny pohyblivé díly:
 - před servisem
 - před opuštěním výrobku
 - před čištěním usazenin
 - před kontrolou, čištěním nebo prací na nástroji,
 - před výměnou příslušenství
 - po nárazu na cizí předmět
 - při údržbě
 - pokud stroj začne abnormálně vibrovat
- Při práci s výrobkem používejte kompletní ochranu zraku a sluchu. Noste ochrannou helmu, kde hrozí nebezpečí pádu předmětů.
- Ochrana sluchu může omezit schopnost obsluhy slyšet varovné signály. Věnujte zvláštní pozornost na potenciálním nebezpečím kolem a uvnitř pracovní plochy.
- Dlouhé vlasy si svažte nad rameny, aby se nemohly zaplést do pohyblivých částí.
- Vždy zajistěte, aby ventilační otvory nebyly ničím zataraseny.
- Před prací s nástrojem a po nárazu zkontrolujte možné poškození dílů. Poškozený vypínač nebo jakýkoliv jiný díl je nutné správně opravit nebo nechat vyměnit v autorizovaném servisním středisku.
- Nástroj nijak neupravujte, může to zvýšit nebezpečí poranění jak sebe samého, tak i ostatních.
- V případě nehody nebo poruchy okamžitě zařízení vypněte a vyjměte baterii. Výrobek můžete znovu používat až po důkladné kontrole autorizovaným servisním centrem.
- Před zahájením úplného nasazení výrobek vždy na materiál, který se má čistit, vyzkoušejte.



DOPLŇUJÍCÍ BEZPEČNOSTNÍ UPOZORNĚNÍ K BATERII

⚠ VAROVÁNÍ

Abyste zabránili nebezpečí požáru způsobeného zkratem, poraněním nebo poškozením výrobku, neponořujte nářadí, výměnnou baterii nebo nabíječku do kapalin a zajistěte, aby do zařízení a akumulátorů nevnikly žádné tekutiny. Korodující nebo vodivé kapaliny, jako je slaná voda, určité chemikálie a bělicí prostředky nebo výrobky, které obsahují bělidlo, mohou způsobit zkrat.

TRANSPORT A SKLADOVÁNÍ

- Před uskladněním nebo přepravou zařízení zastavte, vyjměte baterii a nechte ho vychladnout.
- Odstraňte z výrobku všechny cizí materiály.
- Výrobek neuchovávejte nebo nepřevazujte s bateriemi. Ty je potřeba vytáhnout a uchovat zvlášť. Ukládejte v chladných, suchých a dobře větraných prostorech, které nejsou přístupné dětem. Nářadí neuskładňujte v blízkosti žrávých látek, jako například v blízkosti zahrádkářských nebo zahradnických chemických přípravků nebo soli na zimní sypání komunikací. Neskladujte mimo budovu.
- Nářadí uskladněte mimo dosah dětí.
- Při transportu výrobku zajistěte proti pohybům nebo pádu, abyste zabránili poranění osob nebo poškození výrobku.

TRANSPORT LITHIOVÝCH BATERÍ

Přenos baterií dle místních a národních opatření a předpisů. Dodržujte všechny zvláštní požadavky na balení a značení při transportu baterií třetí stranou.

Zajistěte, aby žádné baterie nepřišly do kontaktu s jinými bateriemi nebo vodivými materiály při transportu pomocí ochrany nekrytých kontaktů prostřednictvím izolace, nevodivých krytek či lepicích pásek. Nepřevazujte prasklé nebo baterie s unikajícím elektrolytem. Ptejte se u zásilkové společnosti na další radu.

ÚDRŽBA

⚠ VAROVÁNÍ

Používejte pouze originální příslušenství, doplňky a náhradní díly výrobce. Zanedbání může zapříčinit možné poranění, slabý výkon a může dojít ke ztrátě záruky.

⚠ VAROVÁNÍ

Údržba vyžaduje extrémní péči a znalosti a měla by být prováděna pouze kvalifikovaným servisním technikem. Výrobek nechte opravit pouze v pověřeném servisu. Při údržbě používejte pouze původní náhradní díly výrobce.

- Před údržbou nebo čištěním výrobku jej vypněte a vyjměte baterii.

- Můžete provádět v návodu k obsluze uvedené opravy a seřízení. Další opravy se smí provádět pouze u pověřených servisních prodejců.
- Zkontrolujte všechny šrouby, matice v častých intervalech na řádné utažení, aby se zajistilo, že výrobek bude pracovat v bezpečných pracovních podmínkách. Jakýkoliv poškozený díl je nutné správně opravit nebo nechat vyměnit v autorizovaném servisním středisku.
- Chcete-li vyměnit poškozené nebo nečitelné štítky, předejte zařízení do autorizovaného servisního střediska.

ZBYTKOVÁ RIZIKA

Dokonce, i když se výrobek provozuje jak je předepsáno, je stále nemožné zcela eliminovat veškeré zbytkové rizikové faktory. Následující nebezpečí mohou nastat při používání; vyhýbejte se:

- Poranění způsobené vibracemi
 - Držte výrobek za rukojeť určené k držení a práci provádějte po omezenou dobu.
- Zranění způsobené hlukem
 - Noste ochranu sluchu a omezte vystavení.
- Poranění způsobené létajícími kusy.
 - Vždy noste adekvátní ochranu zraku.

SNÍŽENÍ RIZIKA

Bylo zjištěno, že vibrace z ručních pracovních nástrojů mohou u některých osob přispívat ke stavu tzv. Raynaud's Syndrome (Raynaudovu syndromu). Mezi jeho příznaky patří brnění, necitlivost a zblednutí prstů, patrné obvykle po pobytu v chladu. Vědci se domnívají, že k rozvinutí těchto příznaků přispívají dědičné faktory, pobyt v chladu a vlhku, strava, kouření a pracovní návyky. Uživatel může omezit případné působení vibrací použitím vhodných opatření:

- Za chladného počasí se teple oblečte. Při práci s výrobkem si navlékněte rukavice, abyste udrželi ruce a zápěstí v teple. Bylo zjištěno, že chladné počasí je hlavním faktorem přispívajícím k Raynaud's Syndrome (Raynaudovu syndromu).
- Během práce si v pravidelných intervalech zacvičte, abyste zvýšili krevní oběh.
- Zařazujte časté pracovní přestávky. Omezte dobu práce za den.

Jačmile pocítíte některý z výše uvedených příznaků tohoto syndromu, okamžitě přerušete práci a vyhledejte lékaře.

⚠ VAROVÁNÍ

Poranění mohou být způsobena, či zhoršena, prodlouženým používáním nástroje. Když používáte jakýkoliv nástroj delší dobu, dělejte pravidelné přestávky.

POZNEJTE SVŮJ NÁSTROJ

Viz strana 138.

Součásti

1. Samovypínací mechanismus
2. Spoušť

3. Drátěný kartáč
4. Kolo
5. Sestava válečkového kartáče
6. Válečkový kartáč
7. Nabíječka
8. Uzávěr baterie
9. Baterie
10. Tlačítko výměny nástavce
11. Západka teleskopické tyče
12. Šroub
13. Rukojeť

SYMBOLY NA VÝROBKU



Řádně si návod přečtěte, porozumějte veškerým pokynům a dodržujte všechny bezpečnostní pokyny a bezpečnostní varování.



Noste ochranu očí



Noste ochranu sluchu



Použijte ochranné brýle



Noste neklouzavou bezpečnostní obuv, když používáte tento výrobek.



Nevystavujte dešti nebo nepoužívejte ve vlhkých podmínkách.



Dávejte pozor na odmrštěné nebo odletující předměty. Všechny přihlízející, zvláště děti a zvířata udržujte ve vzdálenosti alespoň 15 m od pracovní oblasti.



Udržujte ruce stranou



Odpad elektrických výrobků se nesmí likvidovat v domovním odpadu. Recyklujte prosím na sběrných místech. Ptejte se u místních úřadů nebo prodejce na postup při recyklaci.



Toto nářadí je v souladu se všemi normami a předpisy platnými v zemi EU, ve které bylo zakoupeno.



Euroasijská značka shody



Ukrajinská značka shody

NEBEZPEČÍ

Označuje bezprostředně rizikovou situaci, které je třeba předejít, jinak bude jejím následkem smrt nebo vážné zranění.

VAROVÁNÍ

Označuje možnou rizikovou situaci, které je třeba předejít, jinak jejím následkem může být smrt nebo vážné zranění.

VAROVÁNÍ

Označuje možnou rizikovou situaci, které je třeba předejít, jinak jejím následkem může být smrt nebo vážné zranění.

VAROVÁNÍ

(Bez bezpečnostního výstražného symbolu) Určuje situaci, která může mít za následek vážné poškození.

SYMBOLY V NÁVODU



Díly nebo příslušenství jsou v prodeji samostatně



Poznámka



Varování

Následující signální slova a významy jsou vhodné pro vysvětlení úrovně nebezpečí spojených s tímto výrobkem.



A vezeték nélküli terasztisztító tervezése során elsődleges szempont volt a biztonság, a teljesítmény és a megbízhatóság.

RENDELTESSZERŰ HASZNÁLAT

A terasztisztítót kizárólag olyan felnőttek használhatják, akik elolvasták és megértették a jelen kézikönyv utasításait és figyelmeztetéseit, és tetteikért felelősséget tudnak vállalni.

A termék csak kültéri, jól szellőztetett területen való használatra készült. A termékkel kültéri sík és köztes felületek, illesztések tisztíthatók meg, mint pl. kőtáblák, járólapok, kőburkolatok és fa felületek. A termék nem használható függőlegesen, pl. házak falain, valamint fejfellel, pl. mennyezeteken.

Semmilyen más célra ne használja.

ÁLTALÁNOS BIZTONSÁGI ELŐÍRÁSOK

▲ FIGYELMEZTETÉS

Figyelmesen olvassa el az ehhez a szerszámmal mellékelt összes figyelmeztetést, utasítást és műszaki adatokat, valamint tanulmányozza az ábrákat is. Ha nem tartja be a lent felsorolt összes utasítást, az áramütést, tüzet és/vagy súlyos sérülést okozhat.

Őrizz meg ezeket a figyelmeztetéseket és utasításokat a későbbi tájékozódásra is.

Az alábbi biztonsági előírásokban az „elektromos szerszám” kifejezés mind az elektromos hálózatra csatlakoztatható (normál kivitelezésű), mind a vezeték nélküli (akkumulátoros) szerszámot egyaránt jelöli.

A MUNKATERÜLET BIZTONSÁGA

- Gondoskodjon a munkaterület rendszeres takarításáról és kellő megvilágításáról. A rendetlen vagy sötét munkaterületek balesetekhez vezethetnek.
- Ne használjon elektromos szerszámokat robbanásveszélyes környezetben, például gyúlékony folyadékok, gázok vagy porok közelében. Az elektromos szerszám motorjából származó szikra tüzet és robbanást okozhat.
- Tartsa távol a gyermekeket, a többi személyt és a háziállatokat az elektromos szerszámot igénylő munkálatok végzése alatt. A gyermekek és más személyek elvonhatják a figyelmét, és emiatt elveszítheti a szerszám felett az uralmát.

ELEKTROMOS BIZTONSÁGI ELŐÍRÁSOK

- Az elektromos szerszám csatlakozóvillája meg kell hogy feleljen a dugaszoló aljzatnak. Soha ne alakítsa át / ne módosítsa a csatlakozó dugaszt. Soha ne használjon adaptert földelt elektromos szerszámokkal. Ezáltal elkerülheti az áramütés veszélyét.
- Kerülje a földelő (testelő) felületekkel való bármilyen érintkezést (például csövezeték, radiátor, gáz- vagy villanytűzhely, hűtőszekrény stb.). Az áramütés veszélye nő azzal, ha testének valamely része földelt (testelő) felülethez ér.

- Elektromos szerszámot ne tegyen ki esőnek vagy párának, nedvességnek. Az áramütés veszélye megnő, ha a víz az elektromos szerszámba megy.
- Ügyeljen arra, hogy az elektromos hálózati tápvezetékek mindig jó állapotban legyenek. Soha ne tartsa a szerszámot a tápvezetékeknél fogva, illetve soha ne a színórnál fogva húzza ki azt a hálózati aljzataból. Tartsa távol a hálózati tápvezetékeket hőforrásoktól, olajos dolgotól, éles peremektől / tárgyaktól és mozgásban lévő részekről. Az áramütés veszélye megnő, ha a vezeték sérült ill. össze van gubancolva.
- Ha a szabadban dolgozik, kizárólag kültéri használatra gyártott és jóváhagyott hosszabbítót vegyen igénybe. Ezáltal elkerülheti az áramütés veszélyét.
- Amennyiben mégis elkerülhetetlen, hogy nedves / párás környezetben dolgozzon, akkor csatlakoztassa a szerszámot olyan hálózatra, amelyben maradékáram-működtetésű áramvédő-kapcsoló (ÁVK-RCD) van. Az ÁVK használata nagyban csökkenti az áramütés veszélyét.

SZEMÉLYI BIZTONSÁG

- Mindig óvatosan és körültekintően cselekedjen, győződjön meg a jó ítélőképességéről, ha elektromos szerszámot használ. Ne használja az elektromos szerszámot, ha fáradt, szeszest italt vagy kábítószert fogyasztott, illetve ha orvságot szed. Soha ne feledje, hogy egy pillanatnyi figyelmetlenség is elegendő ahhoz, hogy súlyosan megsérüljön.
- Használjon védőfelszerelést. Használjon mindig valamilyen biztonsági eszközt a szem védelmére. Amennyiben a körülmények megkívánják, hordjon porvédő maszkot, csúszásgátló talppal ellátott cipőt, sisakot és hallásvédő eszközt (fülvédőt, fül dugót) is a súlyos testi sérülésekkel járó balesetek elkerülése érdekében.
- Kerülje a szerszám véletlenszerű beindítását. Bizonyosodjon meg arról, hogy a kapcsoló „ki” állásban van, mielőtt a szerszámot a dugaszoló aljzathoz csatlakoztatja vagy akkumulátort helyez bele, és hasonlóképp, ha kezébe veszi vagy áthelyezi / szállítja a szerszámot. A balesetveszély elkerülése érdekében soha ne helyezze át / szállítsa a szerszámot úgy, hogy ujjá a ravaszon van, valamint ne csatlakoztassa azt / ne helyezzen bele akkumulátort, ha a kapcsoló „be” állásban van.
- Távolítsa el a beállítókulcsokat a szerszámról, mielőtt bekapcsolja. A szerszám valamely mozgó részére rögzülő csavar kulcs súlyos testi sérüléssel járó balesetet okozhat.
- Ügyeljen arra, hogy munka közben mindig stabilan, egyensúlyban álljon. Álljon fél-terpesz állásban, és ne nyújtsa túl messze a karját. A stabil munkapozíció hozzásegíti ahhoz, hogy jobban uralma alatt tartsa a szerszámot, és nagyobb biztonsággal védje ki a nem várt eseményeket.
- A munkának megfelelő ruházatot viseljen. Munka közben ne hordjon bő ruhát és ékszert. Haját és ruháját tartsa távol a mozgó alkatrészekről. A bő ruhát, az ékszert és a hosszú hajat a szerszám mozgó részei bekaphatják.
- Ha a szerszámmal porszívó eszköz van





mellékelve, ügyeljen arra, hogy azt megfelelőképp szerelje fel és használja. Ezáltal jelentősen csökken a baleset veszélye.

- A gyakori szerszámhasználat során megszerzett ismereteitől ne legyen öntelt, és ne hagyja figyelmen kívül a biztonsági irányelveket. Egy gondatlan cselekedet súlyos sérülést okozhat a másodperc törtrésze alatt.

AZ ELEKTROMOS SZERSZÁMOK HASZNÁLATA ÉS KARBANTARTÁSA

- Ne erőltesse a szerszámot. Mindig az elvégzendő munkának megfelelő eszközt használja. Az elektromos szerszám hatékonysága, valamint az igénybevétel biztonsága akkor maximális, ha rendeltetésének és teljesítményének megfelelően használja.
- Ne használja az elektromos szerszámot, ha a be-ki kapcsológomb nem teszi lehetővé a szerszám bekapcsolását illetve leállítását. Egy olyan szerszám, amelyet nem lehet megfelelőképp be-és kikapcsolni, az veszélyes, és feltétlenül meg kell javíttatni.
- Bármilyen módosítás, a tartozékok cseréje vagy tárolás előtt húzza ki a dugót az áramforrásból és/vagy vegye le az akkucsomagot (ha leválasztható) a szerszámgepről. Ezáltal jelentősen csökkenti a szerszám véletlenszerű beindításának veszélyét.
- Az elektromos szerszámot gyermekek számára nem hozzáférhető helyen kell tárolni. Ne hagyja, hogy olyan személyek használják a szerszámot, akik nem ismerik a működését, vagy nincsenek tudomással a biztonsági előírásokról. Tapasztalatlan kezek között az elektromos szerszámok veszélyesek lehetnek.
- A szerszámgepeket és a tartozékait tartsa karban. Ellenőrizze a mozgó alkatrészek beállítását. Ellenőrizze, hogy egyetlen alkatlem sem tört el. Ellenőrizze az összes alkatrész felszerelését / illeszkedését és minden egyéb körülményt, ami befolyásolhatja a szerszám működését. Ha meghibásodást észlel, javíttassa meg a szerszámot, mielőtt újra használatba veszi. Számos baleset a szerszámok nem megfelelő karbantartására vezethető vissza.
- Ügyeljen arra, a vágószerszámok mindig tiszták és élesek legyenek. Ha a vágószerszám éle jól meg van élesítve és tiszta, akkor kevésbé hajlamos arra, hogy beszoruljon / megakadjon, így jobban megtarthatja uralmát a szerszám felett.
- Az elektromos szerszámot, a tartozékokat, a szerszámfejeket stb. a jelen használati utasításoknak megfelelően, a használati feltételeknek ill. a kívánt alkalmazásnak a figyelembevételével használja. A veszélyes helyzetek elkerülése érdekében az elektromos szerszámokat kizárólag olyan munkálatokra használja, amelyre azokat tervezték / fejlesztették.
- A fogantyúkat és fogófelületeket tartsa szárazon, tisztán, olajtól és zsírtól mentesen. A csúszós fogantyúk és fogófelületek miatt nem lehet biztonságosan kezelni és vezérelni a szerszámot váratlan helyzetekben.

A VEZETÉK NÉLKÜLI SZERSZÁMOKRA VONATKOZÓ SPECIÁLIS BIZTONSÁGI ELŐÍRÁSOK

- Kizárólag a gyártó által előírt töltővel töltsen a szerszám akkumulátorát. Az előírástól eltérő típusú, nem az akkumulátorhoz való töltő használata tüzet okozhat.
- Egy akkumulátoros (vezeték nélküli) szerszámhoz csak az adott, neki gyártó, speciális akkumulátor használható. Bármilyen más típusú akkumulátor használata tüzet okozhat.
- A használaton kívüli akkumulátort tartsa távol az olyan fémtárgyaktól, mint pl. gémpapoccs, pénzérme, kulcs, csavar, szög és bármilyen olyan tárgy, mely rövidre zárhatja az akkumulátor sarkait. Az akkumulátor saruinak (csatlakozó sarkainak) rövidre zárása égési sérüléseket és tüzet idézhet elő.
- Kerüljön bármiféle kontaktust, érintkezést az akkumulátorfolyadékkal, abban az esetben, ha a túlzott használat következtében szivárogni kezdene. Amennyiben ez mégis megtörténne, öblítse le az érintett felületet tiszta, bő vízzel. Ha a folyadék szembe került, forduljon ezek után orvoshoz is. Az akkumulátorból kikerülő folyadék irritációt válthat ki, és égési sérüléseket okozhat.
- Ne használjon sérült vagy módosított akkucsomagot vagy szerszámot. A sérült vagy módosított akkumulátor kiszámíthatatlanul viselkedhetnek, ami tüzet, robbanást vagy sérülésveszélyt okozhat.
- Az akkucsomagot vagy a szerszámot ne tegye ki tűz vagy túl magas hőmérséklet hatásának. Ha mégis így tesz (tűz, 130°C feletti hőmérséklet), az robbanást okozhat.
- Kövessen minden töltési utasítást, és ne töltsen az akkucsomagot vagy szerszámot az útmutatóban megadott hőmérséklettartományon kívül. A helytelen vagy a megadott tartományon kívüli hőmérsékleteken végzett töltés sérülést okozhat az akkumulátornak, és növelheti a tűz kockázatát.

KARBANTARTÁS

- A javítási munkálatokat egy olyan, erre képzett szakemberre kell bízni, aki kizárólag eredeti cserealkatrészeket használ. Az elektromos szerszámot így teljes biztonságban tudja majd használni.
- A sérült akkucsomagokat soha ne próbálja megjavítani. Ilyet csak a gyártó vagy hivatalos szolgáltatók végezhetnek.

ÁLTALÁNOS BIZTONSÁGI FIGYELMEZTETÉSEK

▲ FIGYELMEZTETÉS

Olvassa el, illetve tekintse meg a termékhez biztosított minden biztonsági figyelmeztetést, illusztrációt és műszaki leírást. A figyelmeztetések és utasítások be nem tartása elektromos áramütést, tüzet és/vagy súlyos sérülést eredményezhet.





▲ FIGYELMEZTETÉS

A termék használatakor a biztonsági szabályokat be kell tartani. A saját és mások biztonsága érdekében kérjük, olvassa el ezt az útmutatót a termék használata előtt. Tartsa meg a kézikönyvet, hátha a későbbiekben szüksége lehet rá.

▲ FIGYELMEZTETÉS

Ezt a terméket nem használhatják gyerekek és korlátozott fizikai, érzékelési vagy mentális képességekkel rendelkező személyek. A gyerekekre oda kell figyelni, nehogy játsszanak a termékkel.

▲ FIGYELMEZTETÉS

Egyes régiókban olyan előírások érvényesek, amelyek korlátozzák a termék használatát. További információért forduljon a helyi önkormányzathoz.

GYAKORLÁS

- Figyelmesen olvassa el az utasításokat. Legyen tisztában a termék kezelőszerveivel és a helyes használatával.
- Ne hagyja, hogy gyerekek vagy a termék használatát nem ismerő felnőttek használják a terméket. A helyi előírások korlátozhatják a kezelő életkorát.
- A nézelődőket, gyerekeket és a háziállatokat tartsa 15 m távolságban a munkaterülettől. Állítsa le a terméket, ha bárki belép a területre.
- Soha ne használja a terméket, ha fáradt, beteg, alkohol, tudatmódosítók, illetve gyógyszerek hatása alatt áll.
- Jegyezze meg, hogy a kezelő vagy a felhasználó felelős a más embereknek vagy tulajdonuknak okozott veszélyekért vagy balesetekért.

ELŐKÉSZÜLET

- Viseljen teljes szem- és fülvédőt a termék használata közben. Kötelező a fejtámasz viselete, ha olyan területen dolgozik, ahol tárgyak hullhatnak le.
- A hallásvédő meggátolhatja a kezelőt abban, hogy meghallja a figyelmeztető hangokat. Figyeljen különösen oda a potenciális veszélyekre a munkaterület körül és a munkaterületen.
- Viseljen vastag anyagból készült hosszú nadrágot, csizmát és kesztyűt. Ne vegyen fel laza ruhát, rövid nadrágot, semmilyen ékszert, illetve ne legyen meztláb.
- Ha hosszú a haja, azt a vállvonallal felett rögzítse, nehogy beakadjon valamilyen mozgó alkatrészbe.
- Használat előtt és amennyiben a gépet bármilyen behatás éri, ellenőrizze, hogy az alkatrészek nem sérültek. A hibás csatlókat vagy bármilyen más sérült vagy elhasznált alkatrészt egy hivatalos szervizközpontban megfelelően meg kell javíttatni vagy ki kell cseréltetni.
- Győződjön meg róla, hogy a vágóeszköz megfelelő módon van felszerelve és biztonságosan rögzítve.

- Soha ne működtesse a terméket, amíg nincs minden védőburkolat, terelőlemez és fogantyú megfelelően felszerelve és rögzítve.
- Vizsgálja át a környezetet, ahol dolgozik. A munkaterület tisztítsa meg a drótdaraboktól, fadaraboktól, kövektől és más hulladéktól, melyek a vágófejebe ütközve kivetődhetnek.

AKKUMULÁTOROS SZERSZÁMGÉP HASZNÁLATA ÉS KARBANTARTÁSA

- Csak a gyártó által megadott töltővel töltsen az akkumulátorokat. Egy adott akkumulátortípushoz való töltő egy másik típusú akkumulátorral való használata tűzveszélyes lehet.
- A szerszámokat csak a hozzájuk való akkumulátorokkal üzemeltesse. Más akkumulátorok használata tűzveszélyes lehet, és sérüléseket okozhat.
- Az akkumulátort használaton kívül tartsa távol más fém tárgytól, úgymint gemkapcsoktól, érméktől, kulcsoktól, szögektől, csavaroktól vagy más kisméretű fém tárgytól, amelyek rövidebbre zárhatják a két érintkezőt. Az akkumulátor érintkezőinek rövidebb zárása tüzet vagy égéseket okozhat.
- Nem megfelelő körülmények esetén folyadék távozhat az akkumulátorból, kerülje az azzal való érintkezést. Ha mégis érintkezik vele, öblítse le vízzel. Ha a folyadék szembe kerül, forduljon orvoshoz. Az akkumulátorból kifolyt folyadék irritációt vagy égéseket okozhat.

A VEZETÉK NÉLKÜLI TERASZTISZÍTÓ BIZTONSÁGI FIGYELMEZTETÉSEI

- Ne hagyja, hogy gyerekek, csökkent fizikai, érzékelési vagy értelmi képességgel rendelkező személyek, vagy akiknek nincs meg a tapasztalatuk és tudásuk ehhez, vagy az utasításokat nem ismerő személyek működtessék, tisztítsák vagy karbantartsák a terméket.
- Nappal vagy jó mesterséges megvilágításnál használja a terméket.
- Mindig stabilan álljon és tartsa egyensúlyát, ez kiemelten fontos lejtős talajfelszínek esetén.
- Ne lépjen hátrafelé a termék használata közben.
- Gyalogoljon, ne fusson.
- Tartsa a vágófejet a derék szintje alatt.
- Ne működtesse a terméket sérült védőburkolattal vagy ha a védőburkolatok nincsenek a helyükön.
- Mindenkor tartsa távol a végtagjait a vágóeszköztől, különösen a motor bekapcsolásakor.
- Ne működtesse a terméket sérült védőburkolattal vagy ha a védőburkolatok nincsenek a helyükön.
- Kapcsolja ki és vegye ki az akkumulátort. Ellenőrizze, hogy minden mozgó rész teljesen megállt:
 - szervizelés előtt
 - mielőtt magára hagyná a terméket
 - az eltömődés eltávolítása előtt
 - ellenőrzés, karbantartás vagy a gépen végzett bármilyen művelet megkezdése előtt;
 - kiegészítők cseréje előtt
 - idegen objektum eltávolítása után





- karbantartás végzésekor
- ha a gép szokatlanul kezd rezegni
- Viseljen teljes szem- és fülvédőt a termék használata közben. Kötelező a fejtű védelem, ha olyan területen dolgozik, ahol tárgyak hullhatnak le.
- A hallásvédő meggátolhatja a kezelőt abban, hogy meghallja a figyelmeztető hangokat. Figyeljen különösen oda a potenciális veszélyekre a munkaterület körül és a munkaterületen.
- Ha hosszú a haja, azt a vállvonal felett rögzítse, nehogy beakadjon valamilyen mozgó alkatrészbe.
- Mindig ügyeljen rá, hogy semmi ne maradjon a szellőzőnyílásokban.
- Használat előtt és amennyiben a gépet bármilyen behatás éri, ellenőrizze, hogy az alkatrészek nem sérültek. A hibás csatlakozásokat vagy bármilyen más sérült alkatrészt egy hivatalos szervizközpontban megfelelően meg kell javíttatni vagy ki kell cseréltetni.
- Semmilyen módon ne változtassa meg a terméket, mert az az növelheti a saját maga vagy mások sérülésének veszélyét.
- Baleset vagy üzemzavar esetén azonnal kapcsolja ki és vegye ki az akkumulátort. Ne használja a készüléket, amíg teljesen ét nem vizsgálták egy hivatalos szervizközpont
- A teljes működés elindítása előtt mindig próbálja ki a terméket a tisztítandó anyagon.

AZ AKKUMULÁTOR KIEGÉSZÍTŐ BIZTONSÁGI FIGYELMEZTETÉSEI

⚠ FIGYELMEZTETÉS

A rövidzárlat általi tűz, sérülések vagy termékárosodások veszélye elkerülésére ne merítse a szerszámot, a cserélhető akkut vagy a töltőkészüléket folyadékokba, és gondoskodjon arról, hogy ne hatoljanak folyadékok a készülékekbe és az akkukba. A korrozív hatású vagy vezetőképes folyadékok, mint pl. a sós víz, bizonyos vegyi anyagok, fehérítők vagy fehérítő tartalmú termékek, rövidzárlatot okozhatnak.

SZÁLLÍTÁS ÉS TÁROLÁS

- Szállítás vagy tárolás előtt állítsa le a terméket, vegye ki az akkumulátort, és hagyja lehűlni a gépet.
- Minden idegen anyagtól tisztítsa meg a terméket.
- A terméket ne tárolja vagy szállítsa beszerelt akkumulátorokkal; vegye ki őket és gondoskodjon róluk külön. Hűvös, száraz és jól szellőztetett, gyerekektől elzárt helyiségben tárolja. Ne tárolja olyan oxidálószerrel közelében, mint pl. a kerti munkáknál használatos vegyszerek vagy jégmentesítő sók. Ne tárolja a szabadban.
- A terméket tartsa távol a gyerekektől.
- Szállításakor rögzítse a terméket elmozdulás és leesés ellen, hogy elkerülje a sérüléseket és a termék sérülését.

LÍTIUM AKKUMULÁTOROK SZÁLLÍTÁSA

Az akkumulátorokat a helyi és nemzeti előírásokkal és szabályokkal összhangban szállítsa. Az akkumulátorok külső fél általi szállításokor kövesse a csomagolásra és a címkézésre vonatkozó speciális előírásokat.

Ügyeljen arra, hogy az akkumulátorok ne érhessenek más akkumulátorokhoz vagy vezető anyagokhoz szállítás közben; ehhez a szabadon maradt csatlakozókat védje szigetelő fedéllel vagy szalaggal. Ne szállítson repedt vagy szivárgó akkumulátorokat. További információért vegye fel a kapcsolatot a továbbítást végző céggel.

KARBANTARTÁS

⚠ FIGYELMEZTETÉS

Csak a gyártó eredeti cserealkatrészeit, tartozékait és szereléseit használja. Ennek figyelmen kívül hagyása gyenge motorteljesítményt, esetleges sérülést és a jótállás elvesztését okozhatja.

⚠ FIGYELMEZTETÉS

szervizelés különös figyelmet és hozzáértést igényel, és csak szakképzett szerelő végezheti el. A terméket csak engedéllyel rendelkező szervizben javíttassa. Szervizeléskor csak eredeti, gyártó által előállított cserealkatrészeket használjon.

- Bármilyen karbantartási vagy tisztítási munkát végrehajtása előtt kapcsolja ki és vegye ki az akkumulátort.
- A használati útmutatóban leírt beállításokat és javításokat Ön is elvégezheti. Az egyéb javításokhoz vegye fel a kapcsolatot a hivatalos szervizzel.
- Gyakori időközönként ellenőrizze a csavaranyák, csavarok és fejescsavarok megfelelő meghúzását, hogy a termék biztonságos üzemi állapotban legyen. A sérült alkatrészeket egy hivatalos szervizközpontban kell megjavíttatni vagy kicseréltetni.
- A sérült vagy olvashatatlan címkék cseréjéhez vigye vissza a terméket egy hivatalos szervizközpontba.

FENNMARADÓ KOCKÁZAT

Még a termék rendeltetésszerű használata esetén sem lehet teljesen kiküszöbölni minden kockázati tényezőt. A gép használata során a következő veszélyek merülhetnek fel, és a kezelőnek különösen oda kell figyelnie az alábbiak elkerülésére:

- A vibráció sérüléseket okozhat
 - A terméket az arra szolgáló fogantyúknál tartsa, és korlátozza a munkaidőt és a vibrációnak való kitettséget.
- Zaj okozta sérülések
 - Viseljen hallásvédőt és korlátozza a zajnak való kitettséget
- Repülő törmelék okozta sérülés.
 - Mindig viseljen szemvédőt.



KOCKÁZATCSÖKKENTÉS

Arról számoltak be, hogy a kéziszerszámok használata során fellépő vibráció bizonyos személyeknél hozzájárulhat az úgynevezett Raynaud-szindróma (Raynaud's Syndrome) nevű állapot kialakulásához. A tünetei lehetnek: az ujjak zsibbadása, elfehéredése, szúrások érzése, amelyek hidegnek kitéve gyakran felerősödnek. Az örökítő tényezők, a hidegnek kitettség és verejtékezés, a diéta, a dohányzás és munka közben alkalmazott fogások valószínűleg mind hozzájárulhatnak ezen tünetek megjelenéséhez. A vibráció hatásainak csökkentése érdekében a kezelőnek be kell tartani az alábbi óvintézkedéseket:

- Hideg időben tartsa melegen a testét. A termék használatakor viseljen kesztyűt a kéz és a csukló melegen tartásához. Arról számoltak be, hogy a hideg időjárásnak fontos szerepe van a Raynaud-szindróma kialakulásában.
- Bizonyos időtartamú használat után mindig végezzen gyakorlatokat a vérkeringés javításához.
- Gyakran tartson munkaszünetet. Korlátozza a napi munkaidőt.

Ha ezen állapot bármelyik tünetét tapasztalja, azonnal hagyja abba a munkát, és tájékoztassa az orvosát a tünetekről.

▲ FIGYELMEZTETÉS

Hosszabb használat sérülést okozhat. Ha a gépet hosszú időn át kell használnia, tartson gyakran szünetet.

ISMERJE MEG A TERMÉKET

Lásd 138. oldal.

Részegységek

1. Indító retesz
2. Kioldó
3. Drótkefe
4. Kerék
5. Kefehenger szerelvény
6. Kefehenger
7. Töltő
8. akkumulátor retesze
9. Akkumulátor
10. Tartozékcsere gombja
11. Teleszkópretesz
12. Gomb
13. Fogantyú

SZIMBÓLUMOK A TERMÉKEN



A termék használata előtt olvassa el és értse meg a kezelési útmutatóban leírtakat, és tartsa be az összes figyelmeztető és biztonsági utasítást.



Viseljen védőszemüveget



Viseljen fülvédőt



Viseljen védőkesztyűt



A termék használata közben csúszásmentes biztonsági lábbelivel viseljen.



Ne tegye ki esőnek, és ne használja nedves környezetben.



Figyeljen a kivetett vagy repülő tárgyakra. Az összes nézelődő, különösen a gyerekek és a háziállatok, legyenek legalább 15 m-es távolságra a használati területtől.



Tartsa a kezeit távol a vágóktól.



A kiselejtezett elektromos termékeket nem szabad a háztartási hulladékkal együtt kidobni. Ezeket újra kell hasznosítani, ha van rá lehetőség. Az újrahasznosítással kapcsolatban érdeklődjön a helyi önkormányzatnál vagy a termék forgalmazójánál.



Ez a szerszám minden, a vásárlás európai uniós országában hatályos szabványnak megfelel.



Eurázsiai megfelelési jelzés



Ukrainai megfelelési nyilatkozat

A következő jelölőszavak és jelölések arra szolgálnak, hogy megmagyarázzák a termékkel kapcsolatos veszélyességi szinteket:



VESZÉLY

Egy bekövetkező veszélyes helyzetet jelez, ami, ha nem előzik meg, halált vagy komoly sérülést eredményez.



FIGYELMEZTETÉS

Egy potenciálisan bekövetkező veszélyes helyzetet jelez, amit, ha nem előznek meg, halált vagy komoly sérülést eredményezhet.



FIGYELEMFLHÍVÁS

Egy potenciálisan veszélyes helyzetet jelez, ami, ha nem előzik meg, kisebb vagy mérsékelt sérülést eredményezhet.

FIGYELEMFLHÍVÁS

(Biztonsági figyelmeztető szimbólum nélkül) Egy olyan helyzetet jelez, ami anyagi kárt eredményezhet.

A KÉZIKÖNYVBEN HASZNÁLT SZIMBÓLUMOK



Külön értékesített alkatrészek és
kiegészítők



Megjegyzés



Figyelem

EN
FR
DE
ES
IT
NL
PT
DA
SV
FI
NO
RU
PL
CS
HU
RO
LV
LT
ET
HR
SL
SK
BG
UK
TR



Siguranța, performanța și fiabilitatea au constituit principalele noastre preocupări la proiectarea mașinii dvs. fără fir de curățat curtea.

UTILIZARE PREVĂZUTĂ

Mașina fără fir de curățat curtea a fost gândită pentru utilizarea de către persoanele adulte care au citit și au înțeles instrucțiunile și avertismentele din acest manual și care pot fi considerate responsabile pentru propriile acțiuni.

Produsul este proiectat să fie folosit doar în mediu exterior și în zonă bine aerisită. Produsul este utilizat pentru curățarea suprafețelor plane, a rosturilor și suprafețelor intermediare aflate la exterior, inclusiv a plăcilor din piatră, gresiei, pietrelor de pavaj și suprafețelor din lemn. Produsul nu este adecvat utilizării în plan vertical, cum ar fi pereții casei sau lucrărilor pe tavan.

Nu folosiți în alte scopuri.

AVERTIZĂRI DE SIGURANȚĂ GENERALE PENTRU APARAT

⚠ AVERTISMENT

Citiți, cu atenție, toate avertismentele, instrucțiunile și specificațiile furnizate împreună cu aparatul, și consultați ilustrațiile. Nerespectarea instrucțiunilor de mai jos poate avea consecințe grave: electrocutări, incendii sau vătămări corporale grave.

Păstrați aceste avertismente și instrucțiuni, pentru a le putea consulta ulterior.

Termenul „mașină electrică” utilizat în măsurile de siguranță de mai jos se referă atât la mașinile electrice care se conectează la priză, cât și la mașinile electrice fără fir.

SIGURANȚA LOCULUI DE MUNCĂ

- Aveți grijă ca spațiul dumneavoastră de muncă să fie tot timpul curat și bine iluminat. Zonele dezordonate și întunecate prezintă pericol de accidente.
- Nu utilizați mașini electrice într-un mediu exploziv, de exemplu în apropiere de lichide, gaze sau prafuri inflamabile. Scântelele provenite de la mașinile electrice le pot incendia și provoca o explozie.
- Țineți copiii, vizitatorii și animalele domestice la distanță când folosiți o mașină electrică. Aceștia ar putea să vă distragă atenția și să pierdeți controlul mașinii.

SIGURANȚA ELECTRICĂ

- Fișa mașinii electrice trebuie să fie adaptată la priză. Nu modificați niciodată fișa. Nu folosiți, niciodată, adaptoare cu mașinile electrice legate la pământ sau la masă. Evitați astfel riscurile de electrocutare.
- Evitați contactul cu suprafețe care sunt legate la pământ sau la masă (țevi, calorifere, mașini de gătit, frigider etc.). Riscul de electrocutare crește, dacă o parte a corpului dumneavoastră este în contact cu o suprafață care este legată la pământ sau la masă.
- Nu expuneți o mașină electrică la ploaie sau umiditate. Riscul de electrocutare crește dacă apa intră în mașina electrică.

- Păstrați cablul de alimentare în bună stare. Nu țineți niciodată mașina de cablul de alimentare și nu trageți de cablu ca să o scoateți din priză. Țineți cablul de alimentare departe de sursele de căldură, să nu intre în contact cu ulei, cu obiecte tăioase și cu elemente în mișcare. Riscul de electrocutare crește, în cazul în care cablul este deteriorat sau încurcat.
- Când lucrați în aer liber, utilizați numai prelungitoare pentru exterior. Evitați astfel riscurile de electrocutare.
- Dacă nu puteți evita utilizarea mașinii dumneavoastră într-un mediu umed, conectați-o la o sursă de alimentare electrică protejată printr-un dispozitiv de protecție la curent diferențial rezidual (DDR). Utilizarea unui dispozitiv de protecție la curent diferențial rezidual limitează riscurile de electrocutare.

SIGURANȚA PERSONALĂ

- Fiți vigilenți, priviți cu atenție ceea ce faceți și utilizați mașinile electrice cu discernământ. Nu utilizați mașina electrică dacă sunteți obosit, ați băut alcool sau ați consumat droguri, sau dacă luați medicamente. Nu uitați, niciodată, că o secundă de neatenție este suficientă pentru a vă răni foarte grav.
- Utilizați dispozitive de protecție. Protejați-vă întotdeauna ochii. În funcție de condiții, purtați și o mască antipraf, încălțăminte antiderapantă, o cască sau protecții auditive, pentru a evita riscurile de răni corporale grave.
- Evitați orice pornire accidentală. Asigurați-vă că întrerupătorul este în poziția „oprit” înainte de a introduce mașina dumneavoastră în priză sau de a introduce bateria, precum și când prindeți sau transportați mașina. Pentru a evita riscurile de accident, nu deplasați niciodată mașina ținând degetul pe trăgaci și nu o conectați la priză / nu introduceți bateria dacă întrerupătorul este în poziția „pornit”.
- Scoateți cheile de strângere înainte de a porni mașina. O cheie de strângere care a rămas prinsă de un element mobil al mașinii poate provoca răni corporale grave.
- Aveți grijă să vă păstrați echilibrul în permanență. Țineți-vă bine pe picioare și nu întindeți brațul prea departe. O poziție de lucru stabilă vă permite să controlați mai bine mașina în cazul unor evenimente neașteptate.
- Purtați îmbrăcăminte adecvată. Nu purtați haine largi sau bijuterii. Feriți-vă părul și hainele de piesele în mișcare. Hainele largi, bijuteriile și părul lung se pot agăța în elementele mobile.
- Dacă mașina este livrată cu un sistem de aspirare a prafului, aveți grijă ca acesta să fie instalat și utilizat corect. Evitați astfel riscurile de accidente.
- Nu permiteți ca obișnuința rezultată din utilizarea frecventă a unelei să vă afecteze concentrarea și să ignorați principiile de utilizare sigură a unelei. Neglijența în utilizare poate provoca accidente grave într-o fracțiune de secundă.

UTILIZAREA ȘI ÎNTREȚINEREA MAȘINILOR ELECTRICE

- Nu forțați mașina. Utilizați mașini adaptate lucrului pe care doriți să-l faceți. Mașina dumneavoastră electrică va fi mai eficientă și mai sigură dacă o utilizați





în regimul pentru care a fost concepută.

- **Nu utilizați o mașină electrică, dacă întrerupătorul nu permite pornirea și oprirea acesteia.** O mașină care nu poate fi pornită și oprită corect este periculoasă și trebuie să fie obligatoriu reparată.
- **Deconectați unealta de la priza de alimentare și/sau decuplați acumulatorul (dacă este detașabil) înainte de a realiza orice fel de ajustări, schimbări de accesorii, precum și înainte de a depozita unealta.** Veți reduce astfel riscurile de pornire involuntară a mașinii.
- **Păstrați mașinile electrice într-un loc unde nu sunt la îndemâna copiilor.** Nu lăsați persoane care nu sunt familiarizate cu mașina sau care nu au luat la cunoștință aceste măsuri de siguranță să folosească mașina. Mașinile electrice sunt periculoase în mâna persoanelor fără experiență.
- **Întrețineți uneltele și accesoriile.** Controlați alinierea pieselor mobile. Verificați că nici o piesă nu este stricată. Controlați montarea și toate celelalte elemente care ar putea afecta funcționarea mașinii. Dacă există piese defecte, reparați mașina înainte de a o utiliza. Numeroase accidente se produc din cauza unei întrețineri necorespunzătoare a mașinilor.
- **Păstrați-vă mașinile curate și bine ascuțite.** O sculă de tăiere bine ascuțită și curată riscă mai puțin să se blocheze și puteți astfel să-i păstrați mai bine controlul.
- **Utilizați mașina dumneavoastră electrică, accesoriile, vârful etc. conform instrucțiunilor de utilizare, ținând seama de condițiile de utilizare și de aplicațiile dorite.** Pentru a evita situațiile periculoase, folosiți mașina electrică numai pentru lucrările pentru care a fost concepută.
- **Păstrați mânerul și suprafețele de contact curate, uscate și necontaminate cu ulei sau lubrifianți.** Mânerul și suprafețele de contact alunecoase nu permit manevrarea sigură și controlul uneltelor în situații neașteptate.

MĂSURI DE SIGURANȚĂ SPECIFICE MAȘINILOR ELECTRICE FĂRĂ FIR

- **Nu încărcați bateria mașinii decât cu încărcătorul recomandat de producător.** Un încărcător adaptat la un anumit tip de baterie poate declanșa un incendiu, dacă este utilizat cu un alt tip de baterie.
- **Pentru o mașină fără fir trebuie să utilizați numai un anumit tip de baterie.** Utilizarea altor tipuri de baterie poate provoca incendii.
- **Când bateria nu este utilizată, țineți-o la distanță de obiectele metalice cum ar fi agrafe de birou, monede, chei, șuruburi, cuie sau orice alt obiect susceptibil de a conecta contactele între ele.** Scurtcircuitarea bornelor bateriei poate provoca arsuri sau incendii.
- **Evitați orice contact cu lichidul din baterie în caz de scurgere a bateriei ca urmare a unei utilizări abuzive.** În caz de contact cu lichidul, spălați din abundență zona atinsă cu apă curată. Dacă vă sunt atinși ochii, consultați, de asemenea, un medic. Lichidul proiectat dintr-o baterie poate provoca iritații sau arsuri.
- **Nu utilizați acumulatori sau unelte deteriorate sau modificate.** Acumulatorii deteriorați sau modificați

nu au un comportament predictibil și prezintă riscuri ridicate: incendii, explozii sau vătămări corporale grave.

- **Nu expuneți acumulatorii și uneltele la foc sau temperaturi excesive.** Expunerea la foc sau temperaturi mai mari de 130°C poate cauza explozii.
- **Respectați toate instrucțiunile de încărcare și nu încărcați acumulatorul sau unealta în afara intervalului de temperaturi specificat în instrucțiuni.** Încărcarea necorespunzătoare sau la temperaturi din afara intervalului specificat poate deteriora acumulatorul și determina un risc ridicat de incendiu.

ÎNȚEȚINEREA

- **Orice reparație trebuie să fie efectuată de către un tehnician calificat, utilizând numai piese de schimb originale.** Veți putea astfel să vă utilizați mașina electrică în deplină siguranță.
- **Nu încercați să reparați acumulatorii deteriorați.** Repararea acumulatorilor deteriorați trebuie efectuată doar de producător sau de furnizorii de service autorizați.

AVERTISMENTE GENERALE PRIVIND SIGURANȚA

⚠ AVERTISMENT

Citiți toate instrucțiunile privind avertizările de siguranță, ilustrațiile și specificațiile furnizate împreună cu acest produs. Nerespectarea acestor avertismente și instrucțiuni poate conduce la șocuri electrice, incendii și/sau accidente grave.

⚠ AVERTISMENT

Atunci când utilizează produsul, normele de siguranță trebuie să fie respectate. Pentru siguranța dumneavoastră și a trecătorilor, vă rugăm să citiți aceste instrucțiuni înainte de utilizarea produsului. Vă rugăm să păstrați instrucțiunile în siguranță pentru o folosire ulterioară.

⚠ AVERTISMENT

Produsul nu este destinat a fi folosit de către copii sau persoane cu capacități fizice, mintale sau senzoriale reduse. Copiii trebuie să fie supravegheați adecvat pentru a vă asigura că nu se joacă cu produsul.

⚠ AVERTISMENT

Anumite regiuni au reglementări ce restricționează folosirea produsului. Pentru sfaturi întrebați autoritățile dvs. locale.

INSTRUIRE

- Citiți instrucțiunile cu atenție. Familiarizați-vă cu toate comenzile și folosirea corespunzătoare a produsului.
- Nu lăsați niciodată copiii sau persoanele nefamiliarizate cu aceste instrucțiuni să folosească produsul. Reglementările locale pot restricționa vârsta operatorului.

EN
FR
DE
ES
IT
NL
PT
DA
SV
FI
NO
PL
RU
CS
HU
RO
LV
LT
ET
HR
SL
SK
BG
UK
TR





- Țineți trecătorii, copiii și animalele de companie la 15 metri depărtare de zona de operare. Opriti produsul dacă cineva intră în zonă.
- Nu folosiți niciodată produsul când sunteți obosit, bolnav sau sub influența alcoolului, drogurilor sau medicamentelor.
- Rețineți că operatorul sau utilizatorul este responsabil pentru accidentele sau pericolele ce pot avea loc asupra altor persoane sau proprietății lor.

PREGĂTIRE

- Purtați protecție completă a ochilor și urechilor în timpul operării produsului. Dacă în zona de lucru există riscul căderii de obiecte, trebuie purtată protecție a capului.
- Protecția pentru auz ar putea restricționa capacitatea operatorului de a auzi sunetele de avertizare. Acordați atenție specială potențialelor pericole din jurul sau din interiorul zonei de lucru.
- Purtați pantaloni lungi groși, cizme și mănuși. Nu purtați haine largi, pantaloni scurți, bijuterii de niciun fel sau să fiți desculț.
- Prindeți părul lung deasupra umerilor pentru a preveni prinderea lui de părțile în mișcare.
- Înainte de folosire și după fiecare impact, verificați să nu existe părți/piese deteriorate. Un întrerupător defect sau orice altă parte care e deteriorată sau uzată trebuie reparată corespunzător sau înlocuită la un atelier service autorizat.
- Asigurați-vă că accesoriul de curățare este corect instalat și bine fixat.
- Nu operați niciodată produsul fără să aveți toate apărătorile, defletoarele și mânerul corespunzător atașate și fixate.
- Aveți în vedere mediul în care lucrați. Păstrați zona de lucru liberă de cabluri, bețe, pietre și resturi care dacă sunt lovite de cuțit pot să fie aruncate.

FOLOSIREA ȘI ÎNTREȚINEREA MAȘINII CU ACUMULATOR

- Reîncărcați numai cu încărcătorul specificat de producător. Un încărcător destinat unui anumit tip de acumulator este folosit la încărcarea altor acumulatori există pericolul de incendii.
- Folosiți uneltele electrice numai cu acumulatorii indicați. Utilizarea oricărui altă acumulatori poate crea un risc de vătămare și de incendiu.
- Atunci când acumulatorul nu este în uz, păstrați-l departe de alte obiecte metalice, cum ar fi agrafe de birou, monede, chei, cuie, șuruburi sau alte obiecte metalice mici, care pot face o conexiune de la o bornă la alta. Scurtcircuitarea bornelor bateriei poate provoca arsuri sau incendiu.
- Ca urmare a folosirii necorespunzătoare, din acumulator se poate scurge lichid; evitați contactul cu acesta. În cazul unui contact accidental, spălați cu apă. În cazul contactului cu ochii, consultați suplimentar un medicul. Lichidul care iese din acumulator poate provoca iritații sau arsuri.

AVERTISMENTE DE SIGURANȚĂ PRIVIND MAȘINA FĂRĂ FIR DE CURĂȚAT CURTEA

- Nu lăsați niciodată copiii, persoanele cu capacități fizice, senzoriale sau mintale reduse sau cu lipsă de experiență și cunoștințe sau persoanele nefamiliarizate cu aceste instrucțiuni să folosească produsul.
- Folosiți produsul pe timpul zilei sau dacă aveți o sursă de lumină artificială bună.
- Mențineți o poziție de echilibru și stabilitate a picioarelor în orice moment și asigurați-vă că aveți stabilitate a picioarelor când stați pe un plan înclinat.
- Nu pășiți înapoi atunci când folosiți produsul.
- Mergeți. Nu alergați niciodată.
- Mențineți capul tăietor atașat mai jos de nivelul taliei dvs.
- Nu utilizați niciodată produsul cu dispozitive de protecție deteriorate sau fără ca acestea să fie montate.
- Țineți mâinile și picioarele departe de piesele de curățare, tot timpul, mai ales când motorul este în funcțiune.
- Nu utilizați niciodată produsul cu dispozitive de protecție deteriorate sau fără ca acestea să fie montate.
- Opriti alimentarea și îndepărtați acumulatorul. Asigurați-vă că toate piesele mobile s-au oprit complet:
 - înainte de efectuarea reparațiilor
 - înainte de a lăsa produsul nesupravegheat
 - înainte de a îndepărta un obiect ce a determinat un blocaj
 - înainte de a verifica, curăța sau lucra asupra produsului
 - înainte de a schimba accesoriile
 - după ce a fost lovit un obiect străin
 - în timpul lucrărilor de întreținere a produsului
 - dacă produsul începe să vibreze anormal
- Purtați protecție completă a ochilor și urechilor în timpul operării produsului. Dacă în zona de lucru există riscul căderii de obiecte, trebuie purtată protecție a capului.
- Protecția pentru auz ar putea restricționa capacitatea operatorului de a auzi sunetele de avertizare. Acordați atenție specială potențialelor pericole din jurul sau din interiorul zonei de lucru.
- Prindeți părul lung deasupra umerilor pentru a preveni prinderea lui de părțile în mișcare.
- Asigurați-vă întotdeauna că deschiderile de ventilație nu sunt acoperite de resturi.
- Înainte de folosire și după fiecare impact, verificați să nu existe părți/piese deteriorate. Un întrerupător defect sau orice piesă deteriorată trebuie să fie reparată în mod corespunzător sau înlocuită de un service autorizat.
- Nu modificați mașina în niciun fel, asta ar putea crește riscul vătămării dvs. sau a altora
- Opriti imediat mașina și îndepărtați acumulatorul în caz de accident sau defecțiune. Nu utilizați din nou produsul înainte de a realiza o verificare completă, la un centru de service autorizat.
- Testați întotdeauna produsul pe materialul care



urmează să fie curățat înainte de a începe operarea propriu-zisă.

AVERTISMENTE SUPPLEMENTARE PRIVIND SIGURANȚA LA UTILIZAREA BATERIILOR

AVERTISMENT

Pentru a reduce pericolul unui incendiu și evitarea rănilor sau deteriorarea produsului în urma unui scurtcircuit nu imersați scula, acumulatorul de schimb sau încărcătorul în lichide și asigurați-vă să nu pătrundă lichide în aparate și acumulatori. Lichidele corosive sau cu conductibilitate, precum apa sărată, anumite substanțe chimice și înalbitori sau produse ce conțin înalbitori, pot provoca un scurtcircuit.

TRANSPORTAREA ȘI DEPOZITAREA

- Opriți produsul, îndepărtați bateria și lăsați-l să se răcească înainte de depozitare sau transportare.
- Curățați toate materialele străine din produs.
- Nu depozitați sau transportați produsul cu acumulatorul montat. Demontați acumulatorul și depozitați-l separat. Depozitați-l într-un loc răcoros, uscat și bine aerisit ce este inaccesibil copiilor. Nu-l depozitați în apropiere de agenți corozivi cum ar fi produși chimici de grădinarit sau săruri antigel. Nu depozitați în aer liber.
- Nu țineți produsul la îndemâna copiilor.
- Pentru transportare, fixați produsul împotriva mișcării sau căderii pentru a preveni vătămarea persoanelor sau deteriorarea produsului.

TRANSPORTAREA BATERIILOR DE LITIU.

Transportați bateriile în conformitate cu prevederile și reglementările locale și naționale. Urmați toate cerințele speciale privind împachetarea și etichetarea atunci când transportați baterii către un terț.

Asigurați-vă că nicio baterie nu poate să intre în contact cu alte baterii sau materiale conductive în timpul transportului prin protejarea conectorilor expuși cu bandă, capace izolatoare neconductive. Nu transportați bateriile ce sunt crăpate sau care au scurgeri. Verificați cu firma transportatoare pentru recomandări ulterioare.

ÎNȚREȚINERE

AVERTISMENT

Folosiți doar piese de schimb, accesorii și atasamente originale ale producătorului. Neurmarea acestora poate cauza posibilă vătămare, slaba funcționare și ar putea anula garanția.

AVERTISMENT

Service-ul necesită atenție și cunoștințe deosebite și trebuie îndeplinit doar de către un tehnician service calificat. Duceți produsul la reparații numai într-un centru service autorizat. La efectuarea serviciului, folosiți doar piese de schimb originale ale producătorului.

- Opriți și scoateți acumulatorul înainte de a efectua orice operațiune de întreținere sau curățare.
- Puteți face reglaje și reparații descrise în acest manual de instrucțiuni. Pentru alte reparații, contactați agentul service autorizat.
- Verificați toate piulițele, suruburile la intervale frecvente de timp ca să fie corespunzător strânse pentru a vă asigura că produsul este în stare de lucru în siguranță. Orice piesă deteriorată trebuie să fie reparată în mod corespunzător sau înlocuită de un service autorizat.
- Duceți produsul la un centru service autorizat pentru a înlocui etichetele deteriorate sau ilizibile.

RISCURI REZIDUALE

Chiar dacă produsul este folosit așa cum a fost prescris, este totuși imposibil să se elimine complet amunziți factori de risc reziduali. Următoarele pericole pot apărea în timpul folosirii și operatorul trebuie să acorde o atenție specială pentru a evita următoarele:

- Vătămare cauzată de vibrație
 - Țineți produsul de mânerle proiectate și restricționați timpul și expunerea de lucru.
- Vătămare cauzată de zgomot.
 - Purtați protecție pentru auz și limitați expunerea.
- Răniri cauzate de resturile rezultate în urma tăierii.
 - Purtați întotdeauna protecție pentru ochi.

REDUCEREA RISCULUI

S-a raportat faptul că vibrațiile produse de unelele manuale pot contribui, la anumite persoane, la o afecțiune denumită Sindromul Raynaud. Simptomele pot include furnicături, amorțeală și albirea degetelor, care apare, de obicei, după expunerea la frig. Factori ereditari, expunerea la frig și umiditate, dieta, fumatul și practicile de muncă contribuie la dezvoltarea acestor simptome. Există măsurător care pot fi efectuate de către operator pentru a reduce efectele de vibrațiilor:

- Păstrați-vă temperatura corporală ridicată pe vreme rece. Când operați produsul purtați mănuși pentru a menține calde mâinile și încheieturile. S-a constatat că vremea rece este un factor major care contribuie la sindromul Raynaud.
- După fiecare perioadă de operare, trebuie făcute exerciții pentru a crește circulația sângelui.
- Trebuie făcute pauze la intervale de timp regulate. Limitați expunerea zilnică.

Dacă sunt experimentate oricare dintre simptomele acestei afecțiuni, trebuie întrerupt utilizarea și consultat un medic.

AVERTISMENT

Pot fi cauzate sau agravate vătămrile de la folosirea prelungită a aparatului. Atunci când folosiți o sculă pentru perioade prelungite, asigurați-vă că luați pauze regulate.

CUNOAȘTEȚI-VĂ PRODUSUL

Vezi pagina 138.

Părți

1. Declanșator blocabil
2. Declanșator
3. Perie de sârmă
4. Roată
5. Asamblarea periei rotative
6. Peria rotativă
7. Încărcător
8. Locașul bateriei
9. Acumulator
10. Buton de schimbare a accesoriului
11. Dispozitiv telescopic de blocare
12. Buton rotativ
13. Mâner

SIMBOLURILE DE PE PRODUS.



Citiți și înțelegeți toate instrucțiunile înainte operării produsului, urmați toate avertizările și instrucțiunile de siguranță.



Purtați întotdeauna ochelari de protecție



Purtați protecție pentru urechi



Purtați mănuși de protecție



Purtați întotdeauna încălțăminte de siguranță antiderapantă când utilizați acest produs.



Nu expuneți la ploaie sau umezeală.



Feriți-vă de obiecte proiectate sau în zbor. Țineți toți trecătorii, în special copiii și animalele de companie la cel puțin 15 metri de zona de operare.



Țineți mâinile departe



Deșeurile produselor electrice nu trebuie să fie înălțurate împreună cu deșeurile casnice. Vă rugăm să reciclați acolo unde există facilități. Verificați la autoritatea dvs locală sau la vânzător pentru sfaturi privind reciclarea.



Acest aparat este conform cu ansamblul normelor reglementare din țara din UE în care a fost cumpărat.



Marcaj de conformitate EurAsian



Semn de conformitate ucrainean

Următoarele cuvinte de semnalizare sunt destinate a explica nivelele de risc asociate cu acest produs:



Indică o situație periculoasă iminentă, care dacă nu este evitată va cauza decesul sau vătămarea gravă.



Indică o situație periculoasă iminentă, care dacă nu este evitată poate rezulta în deces sau vătămarea gravă.



Indică o situație potențial periculoasă, care dacă nu este evitată poate cauza vătămarea moderată sau ușoară.



(Fără simbol de alertă de siguranță) Indică o situație ce poate rezulta în distrugerea proprietății.

SIMBOLURI DIN ACEST MANUAL



Piese sau accesorii vândute separat



Notă



Avertisment



Radot jūsu akumulatoru pagalma tīrītāju, drošībai, veikspējai un uzticamībai ir pievērsta vislielākā vērība.

PAREDŽĒTAIS LIETOJUMS

Pagalma tīrītājs ir paredzēts lietošanai tikai pieaugušajiem, kas ir izlasījuši un izpratuši norādes un brīdinājumus šajā rokasgrāmatā, un var tikt uzskatīti par atbildīgiem par savām darbībām.

Ierīce ir paredzēta tikai lietošanai ārā, labi vēdinātos apstākļos. Produkts tiek izmantots līdzenu virsmu, savienojumu un virsmu starpu tīrīšanai ārpus telpām, tostarp bruģakmens, flīžu betona bruģa un koka virsmu tīrīšanai. Produkts nav piemērots lietošanai vertikāli, piemēram uz ēkas sienām, vai virs galvas, piemēram griestiem.

Nelietojiet citiem mērķiem.

VISPĀRĒJIE DROŠĪBAS BRĪDINĀJUMI

⚠ BRĪDINĀJUMS

Izlasiet visus drošības brīdinājumus, instrukcijas, specifikācijas un apskatiet attēlus šī elektroinstrumenta dokumentācijā. Visu tālāk uzskaitīto norāžu neievērošana var izraisīt elektrošoku, aizdegšanos un/vai smagus ievainojumus.

Saglabājiet visus brīdinājumus un instrukcijas uzziņām nākotnē.

Termiņš „elektroinstruments” brīdinājumā norāda gan uz elektrotīkla barošanas, gan akumulatora elektroinstrumentiem.

DROŠĪBA DARBA ZONĀ

- Darba zonai jābūt tīrai un labi apgaismotai. Nekārtīgās vai tumšās vietās ir paaugstināts negadījumu risks.
- Nelietojiet elektroinstrumentus eksplozīvā vidē, piemēram, uzliesmojošu šķidrumu, gāzu vai putekļu tuvumā. Elektroinstrumenti rada dzirksteles, kas var aizdedzināt putekļus vai tvaikus.
- Kad strādājat ar elektroinstrumentiem, bērniem un citiem vērotājiem jāstāv atstatu. Arēji traucēkļi var izraisīt kontroles zudumu pār instrumentu.

ELEKTRISKĀ DROŠĪBA

- Elektroinstrumentu barošanas kontaktspraudņiem jāatbilst ligzdām. Spraudni aizliegts jebkādā veidā modificēt. Ar zemtīmi elektroinstrumentiem aizliegts izmantot spraudņu adapterus. Oriģinālie (nemodificēti) spraudņi un atbilstošas ligzdas mazinās elektriskā trieciena risku.
- Ķermenis nedrīkst pieskarties zemtām virsmām, piemēram, caurulēm, radiatoriem, plītiņ un ledusskapjiem. Pastāv palielināts elektriskā trieciena risks, ja jūsu ķermenis ir zemtēs.
- Neļaujiet elektroinstrumentam atrasties lietū vai mitrumā. Ūdens iekļūšana elektroinstrumentā palielinās elektriskā trieciena risku.
- Izmantojiet barošanas vadu tikai mērķiem, kuriem tas paredzēts. Nekādā gadījumā neizmantojiet

barošanas vadu elektroinstrumenta nešanai, vilkšanai vai atvienošanai no elektrotīkla (velkot aiz tā). Turiet vadu atstatu no karstuma, eļļas, asām malām vai kustīgām daļām. Bojāti vai sapinušies vadi palielina elektriskā trieciena risku.

- Strādājot ar elektroinstrumentu ārā, izmantojiet lietošanai ārā piemērotu pagarinātāju. Atbilstoši pagarinātāja lietošana samazina elektriskā trieciena risku.
- Ja nav iespējams izvairīties no elektroinstrumenta lietošanas mitrumā, barošanas sistēma jāaizsargā ar paliekošās strāvas ierīci. Paliekošās strāvas ierīces izmantošana mazina elektriskā trieciena risku.

INDIVIDUĀLĀ DROŠĪBA

- Strādājot ar elektroinstrumentiem, esiet uzmanīgi, sekojiet savām darbībām un vadieties pēc veselā saprāta. Neizmantojiet elektroinstrumentus, ja esat noguris vai, lietojot narkotikas, alkoholu vai medikamentus. Mirkļi neuzmanības, lietojot elektroinstrumentus, var izraisīt nopietnas traumas.
 - Izmantojiet individuālo aizsardzības aprīkojumu. Obligāti valkājiet acu aizsarglīdzekļus. Aizsarglīdzekļi, piemēram, putekļu maskas, neslīdoši darba apavi, ķiveres vai dzirdes aizsarglīdzekļi, tos atbilstoši izmantojot, mazinās traumatisma risku.
 - Nepieļaujiet nejašu ieslēgšanu. Pirms instrumenta pieslēgšanas barošanas avotam un/vai akumulatoram, tā pacelšanas vai nešanas slēdzim jābūt izslēgtā pozīcijā. Elektroinstrumentu nešana, pirkstam atrodoties uz slēdža, vai pieslēgšana barošanai, ja slēdzis ir ieslēgtā pozīcijā, rada traumatisma risku.
 - Pirms elektroinstrumentu ieslēgšanas izņemiet regulēšanas vai uzgriežņu atslēgas. Uzgriežņu vai regulēšanas atslēga, kas atstāta piestiprināta pie elektroinstrumenta rotējošās daļas, var izraisīt traumas.
 - Nesniedzieties pārāk tālu. Pastāvīgi saglabājiet pareizo kāju pozīciju un līdzsvaru. Tas ļauj drošāk kontrolēt elektroinstrumentu negaidītās situācijās.
 - Valkājiet atbilstošu apģērbu. Nevalkājiet vaļīgu apģērbu vai rotaslietas. Turiet matus un apģērbu atstatu no kustīgām daļām. Vaļīgs apģērbs, rotaslietas vai gari mati var iekerties kustīgajās daļās.
 - Ja var pievienot putekļu nosūknisan un savākšanas ierīces, tās jāpievieno un pareizi jālieto. Putekļu savākšana var mazināt ar putekļiem saistītos riskus.
 - Neļaujiet pieradumam, kas rodas no biežas instrumentu izmantošanas, likt jums kļūt bezrūpīgam un neievērot instrumenta drošas lietošanas principus. Bezrūpīga rīcība var izraisīt smagus ievainojumus dažos mirkļos.
- ## ELEKTROINSTRUMENTU LIETOŠANA UN KOPŠANA
- Nepārslodojiet elektroinstrumentu. Izmantojiet savam uzdevumam atbilstošu elektroinstrumentu. Pareizais elektroinstruments paveiks darbu labāk un drošāk, ja to lieto ar tam paredzēto slodzi.
 - Neizmantojiet elektroinstrumentu, ja nedarbojas slēdzis. Jebkurš elektroinstruments, kuru nav iespējams vadīt ar slēdzi, ir bīstams, un tam jāveic remonts.
 - Atvienojiet kontaktdakšu no sprieguma un/

EN
FR
DE
ES
IT
NL
PT
DA
SV
FI
NO
RU
PL
CS
HU
RO
LV
LT
ET
HR
SL
SK
BG
UK
TR





vai noņemiet akumulatoru, ja tas iespējams, no instrumenta, pirms veikt jebkādas regulēšanas darbus vai aprīkojuma nomaigu, vai novietojot instrumentu glabāšanai. Šāda profilaktiskie drošības pasākumi mazina elektroinstrumenta nejaušas iedarbināšanas risku.

- **Glabājiet elektroinstrumentus bērniem nepieejamā vietā un neļaujiet tos lietot personām, kas nepazīna attiecīgo elektroinstrumentu vai šīs instrukcijas.** Neapmācītu lietotāju rokās elektroinstrumenti ir bīstami.
- **Kopiet elektroinstrumentus un aprīkojumu.** Pārbaudiet kustīgo daļu noregulējumu vai ķeršanos, detaļu lūšanu un jebkurus citus traucēkļus, kas var ietekmēt elektroierīces lietošanu. Ja elektroinstrumentis ir bojāts, pirms lietošanas tam jāveic remonts. Daudzus negadījumus izraisa slikti kopti elektroinstrumenti.
- **Zāģēšanas instrumentiem jābūt asiem un tīriem.** Pareizi koptiem zāģēšanas instrumentiem ir asas griezošās virsmas, tādēļ tie mazāk ķeras, un tos ir vieglāk vadīt.
- **Izmantojiet elektroinstrumentu, piederumus un instrumentu asmeņus utt. atbilstoši šīm instrukcijām, ņemot vērā darba apstākļus un veicamos darbus.** Ja elektroinstrumenti tiek izmantoti darbiem, kuriem tie nav paredzēti, tas var izraisīt bīstamas situācijas.
- **Uzturiet rokturus un saķeres virsmas sausas, tīras un bez eļļām un smērvielām uz tām.** Slideni rokturi un saķeres virsmas neļauj droši satvert un vadīt instrumentu neparedzētās situācijās.

AKUMULATORA LIETOŠANA UN APRŪPE

- **Uzlādējiet tikai ar ražotāja norādītu lādētāju.** Lādētājs, kas paredzēts lietošanai ar vienu akumulatoru, var būt ugunsbīstams, ja to izmanto ar citu akumulatoru.
- **Izmantojiet elektroinstrumentus tikai ar tiem paredzētiem akumulatoriem.** Jebkuru citu akumulatoru lietošana rada traumatisma un ugunsbīstamības riskus.
- **Kamēr akumulators netiek lietots, turiet to atstātus no citiem metāla priekšmetiem, piemēram papīra skavām, monētām, atslēgām, naglām, skrūvēm vai citiem maziem metāla priekšmetiem, kas var radīt savienojumu starp spailēm.** Akumulatora spaiļu īsslēgums var izraisīt apdegumus vai aizdegšanos.
- **Pie nepareizas apiešanās no akumulatora var izkļūt šķidrums; izvairieties no saskares ar to.** Ja saskare tomēr nejauši notiek, skalojiet skarto vietu ar ūdeni. Ja šķidrums nokļūst acīs, papildus nepieciešama arī medicīniskā palīdzība. No akumulatora izkļušais šķidrums var izraisīt kairinājumu vai apdegumus.
- **Nelietojiet akumulatora bloku vai instrumentu, ja tas ir bojāts vai izmainīts.** Bojāti vai izmainīti akumulatori var neparedzami darboties, izraisot aizdegšanos, eksploziju vai ievainojumu risku.
- **Nepakļaujiet akumulator bloku vai instrumentu atklātai liesmai vai pārmērīgi augstai temperatūrai.** Pakļaušana atklātai liesmai vai temperatūrai virs 130°C var izraisīt eksploziju.
- **Ievērojiet visas norādes par lādēšanu un neveiciet akumulatoru bloka lādēšanu ārpus instrukcijās**

norādītā temperatūru diapazona. Nepareiza lādēšana vai lādēšana temperatūrās, kas ir ārpus norādītā diapazona, var izraisīt akumulatora bojājumus un palielināt aizdegšanās risku.

APKOPE

- **Elektroinstrumentu kopšana drīkst veikt tikai kvalificēts remonta speciālists, kas izmanto tikai pareizās rezerves daļas.** Tādā veidā tiek nodrošināta elektroinstrumenta drošība.
- **Nekad neveiciet bojātu akumulatora bloku apkopi.** Akumulatoru bloku apkopi ir jāveic tikai ražotājam vai tā pilnvarotam servisa centram.

VISPĀRĪGIE DROŠĪBAS BRĪDINĀJUMI

⚠ BRĪDINĀJUMS

Izlasiet visus drošības brīdinājumus, norādes, ilustrācijas un specifikācijas, kas sniegtas kopā ar šo izstrādājumu. Brīdinājumu un norādījumu neizpildīšana var izraisīt elektrisko triecienu, aizdegšanos un/vai smagu ievainojumu.

⚠ BRĪDINĀJUMS

Izmantojot ierīci, izpildiet drošības noteikumus. Pirms darba uzsākšanas Jūsu un blakusstāvētāju drošības dēļ, lūdzu, izlasiet šos norādījumus. Lūdzu, saglabājiet instrukciju vēlāki izmantošanai.

⚠ BRĪDINĀJUMS

Ierīce nav paredzēta bērniem vai cilvēkiem ar samazinātām fiziskām, garīgām spējām vai maņu kustību traucējumiem. Nepieciešams pienācīgi uzmanīt bērnus, lai nodrošinātu, ka tie nespējējas ar ierīci.

⚠ BRĪDINĀJUMS

Dažos reģionos pastāv noteikumi, kas ierobežo preces lietošanu. Vērsieties pie atbildīgajām amatpersonām pēc padoma.

APMĀCĪBA

- Uzmanīgi izlasiet norādījumus. Iepazīstieties ar visām vadībām un pareizu preces izmantošanu.
- Nekad neļaujiet bērniem vai personām, kas nav iepazīnušas ar instrukcijām, izmantot precī. Vietos įstatymai gali apriboti įrengimo operatoriaus amžių.
- Pārlicinieties, ka tuvumā stāvošie -bērni un dzīvnieki ir 15 m attālumā no jūsu darbošanās vietas. Ja kāds ienāk zonā, apturiet precī.
- Nekad neizmantojiet produktu, kad esat noguris, slims vai alkohola, narkotiku vai medikamentu iespaidā.
- Turēkite omenyje, kad operatorius arba vartotojas yra atsakingas už nelaimingus atsitikimus arba kitiems asmenims ar jų turtui sukeltą pavojų.





TRANSPORTĒŠANA UN UZGLABĀŠANA

- Apturiet precī, izņemiet bateriju un ļaujiet tai atdzist pirms noglabāšanas vai transportēšanas.
- Notīriet visus svešķermeņus no izstrādājuma.
- Neglabājiet un nepārvadājiet instrumentu, ja akumulatori ir uzstādīti, noņemiet tos un novietojiet atsevišķi. Uzglabājiet to vēsā, sausā un labi vēdinātā vietā, kurai nevar piekļūt bērni. Neglabājiet to vietā, kur tuvumā atrodas korozīvas vielas, piemēram dārza darbos izmantojamās ķīmikālijas vai atsaldēšanai domāta sāls. Neuzglabājiet ārpus telpām.
- Turiet ražojumu bērniem neaizsniedzamā vietā.
- Transportējot nostipriniet ierīci, lai tā nekustētos un neapgāztos, jo tas var izraisīt miesas bojājumus un ierīces bojājumus.

LITĪJA BATERIJU TRANSPORTĒŠANA

Transportējiet baterijas saskaņā ar vietējiem un valsts noteikumiem un regulām. Ievērojiet visas īpašās prasības saistībā ar iepakojšanu un marķēšanu, transportējot trešās puses baterijas.

Nodrošiniet, ka baterijas transportā nevar nonākt saskarē ar citām baterijām vai vadītspējīgiem materiāliem, aizsargājot atklātos savienotājus ar nevadošiem izolācijas vāciņiem vai lentēm. Netransportējiet iekļūkušas baterijas vai baterijas, kurām ir noplūde. Lūdziet padomu kravu pārvadāšanas uzņēmumam.

APKOPE

⚠ BRĪDINĀJUMS

Lietojiet tikai oriģinālās ražotāja rezerves daļas, piederumus un uzgaļus. Pretējā gadījumā var tikt radīti ievainojumi un parādīts slikts sniegums, kā arī var tikt anulēta garantija.

⚠ BRĪDINĀJUMS

Aptarnavimā atlikti būtina itin atdīžiai, todēl rekomēduojame, kad tehēnē apziūrā vykdytū kvalifikuotas spēcialistas. Veiciet apkalpošanu tikai pilnvarotā servisa centrā. Veicot apkopi, lietojiet tikai oriģinālās ražotāja rezerves daļas.

- Izslēdziet un noņemiet akumulatora bloku pirms veikt jebkādas apkopes vai tīrīšanas darbus.
- Daudzus šajā lietotāja rokasgrāmatā aprakstītos regulēšanas un remontdarbus varat veikt pats. Lai veiktu citus remontdarbus, sazinieties ar pilnvarotu servisa darbinieku.
- Regulāri pārbaudiet visus uzgriežņus, stiprinājumus un skrūves, lai pārliecinātos, ka tās ir cieši pievilktas un izstrādājums ir drošā darba stāvoklī. Jebkura bojāta detaļa jānodod remontam vai nomainītai pilnvarotā apkopes centrā.
- Nesiet precī uz pilnvarotu pakalpojumu centru, lai nomainītu bojātos vai nesalasāmās uzlīmes.

OBJEKTĪVIE RISKI

Pat ka prece ir lietotā kā noteikts, nav iespējams pilnībā novērst noteiktus riska faktorus. Turpmāk norādītie riski var rasties lietošanas laikā un operatoram īpaša uzmanība jāpievērš, lai izvairītos no turpmāk minētā:

- Vibrācijas radīts ievainojums
 - Turiet precī aiz paredzētajiem rokturiem un ierobežojiet darba laiku, un pakļaušanu.
- Trokšņa radīti miesas bojājumi
 - Valkājiet ausu aizsargu un ierobežojiet saskarsmi.
- Lidojošu drazu radīti ievainojumi.
 - Vienmēr nēsājiet acu aizsardzību.

RISKA SAMAZINĀŠANA

Ir ticis ziņots, ka vibrācijas no rokas instrumentiem atsevišķos cilvēkos var veicināt kaiti, ko sauc par Reino sindromu. Simptomi var ietvert pirkstu tīkšķēšanu, nejutīgumu un nobālēšanu, parasti aukstā laikā. Tiek uzskatīts, ka tradicionālie faktori, aukstums un mitrums, uzturs, smēķēšana un darba prakse sekmē šo simptomu attīstību. Operators var veikt pasākumus, lai iespējami samazinātu vibrācijas efektu:

- Aukstā laikā ķermenim jābūt siltam. Kad darbināt precī valkājiet cimdus, lai rokas un plaukstu locītavas būtu siltas. Ir pētījumi, ka auksts laiks ir galvenais faktors, kas veicina Reino sindromu.
- Ik pēc laika apturiet darbu un veiciet vingrinājumus, kas uzlabo asins cirkulāciju.
- Strādājot jābūt biežiem pārtraukumiem. Ierobežojiet iedarbības ilgumu dienā.

Ja jūs izjūtat kādu no šiem simptomiem, nekavējoties apturiet ierīces lietošanu un sazinieties ar ārstu par šiem simptomiem.

⚠ BRĪDINĀJUMS

Ilgstoša preces lietošana var radīt ievainojumus vai pasliktināt jau esošos. Ilgstoši lietojot jebkuru instrumentu, pārliecinieties, ka tiek veikti regulāri pārtraukumi.

PAZĪSTIET SAVU IERĪCI

Skatīt 138. lappusi

Daļas

1. Bloķēšanas mēlīte
2. Mēlīte
3. Stieplu birste
4. Rītenis
5. Rullīšu birstes mezgls
6. Rullīšu birste
7. Lādētājs
8. Akumulatora fiksators
9. Akumulators
10. Uzlikas nomainīšanas poga
11. Izvilšanas aizslēgs
12. Poga
13. Rokturis






UZ PRECES ESOŠIE SIMBOLI




-  Pirms preces darbināšanas izlasiet un izprotiet visus norādījumus, ievērojiet visus brīdinājumus un drošības norādījumus.
-  Valkājiet acu aizsargaprīkojumu
-  Lietojiet dzirdes aizsargus
-  Lietojiet aizsargcimdus
-  Kad izmantojat šo izstrādājumu, lietojiet neslidošus aizsargapavus.
-  Nepakļaujiet lietum vai mitriem apstākļiem.
-  Sargieties no izmestiem vai lidojošiem priekšmetiem. Rūpējieties, lai visi tuvumā stāvošie, īpaši bērni un dzīvnieki atrastos vismaz 15 m attālumā no darba zonas
-  Sargiet rokas
-  Izlietotie elektroprodukti nedrīkst tikt izmesti kopā ar mājssaimniecības atkritumiem. Lūdzu, nododiet tos attiecīgajās atk ār totas izmantošanas vietās. Sazinieties ar savu vietējo varas pārstāvi vai izplatītāju, lai noskaidrotu, kur iespējama atkārtota pārstrāde.
-  Darbarīks atbilst visām normām ES valstī, kurā tas ir iegādāts.
-  EurAsian atbilstības marķējums
-  Ukrainas apstiprinājuma zīme

UZMANĪBU (Bez drošības trauksmes simbola), kas norāda, uz situāciju, kas var novest pie īpašuma bojājuma.

SIMBOLI ŠAJĀ ROKASGRĀMATĀ

-  Atsevišķi nopērkamās daļas vai piederumi
-  Piezīme
-  Brīdinājums

Šādi signālvārdi un nozīmes ir paredzētas, lai izskaidrotu ar precī saistītā riska līmeņus:

-  **BĪSTAMI** Norāda draudošo bīstamo situāciju, kas, ja no tās neizvairās, var novest pie nāves vai nopietnas traumas.
-  **BRĪDINĀJUMS** Norāda potenciālo bīstamo situāciju, kas, ja no tās neizvairās, var novest pie nāves vai nopietnas traumas.
-  **UZMANĪBU** Norāda potenciālo bīstamo situāciju, kas, ja no tās neizvairās, var novest pie nelielas vai vidējas traumas.



Gaminant šį terasų plovimo įrenginį didžiausia svarba buvo teikiama jo saugai, efektyvumui ir patikimumui.

NAUDOJIMO PASKIRTIS

Šis terasų plovimo įrenginys skirtas naudoti tik suaugusiesiems, kurie yra perskaitę ir supratę šiame vadove pateiktus nurodymus bei įspėjimus ir gali būti laikomi atsakingais už savo veiksmus.

Prietaisas skirtas naudoti lauke, gerai vėdinamoje vietoje. Įrenginys naudojamas lygiems paviršiams, sujungimams, lauko terasų grindų tarpams, įskaitant akmens plokštes, plyteles, grindinio akmenis ir medinius paviršius, plauti. Įrenginys netinka vertikaliems paviršiams, pavyzdžiui, namo sienoms, ir aukštai viršuje esantiems paviršiams, pavyzdžiui, luboms, plauti.

Nenaudokite kitais tikslais.

BENDROSIOS ELEKTRINIO ĮRANKIO SAUGOS TAISYKLĖS

ĮSPĖJIMAS

Perskaitykite visus saugos įspėjimus, visas instrukcijas, paveikslėlius ir techninius reikalavimus, pateikiamus su šiuo elektriniu įrankiu. Jei nesilaikysite visų toliau pateiktų instrukcijų, kyla elektros smūgio, gaisro ir (arba) sunkaus sužeidimo pavojus.

Visus įspėjimus ir instrukcijas saugokite, nes jų gali prireikti ateityje.

Terminas „elektros įrankis“ įspėjimuose reiškia jūsų iš tinklo arba baterija (beleidį) maitinamą elektros įrankį.

DARBO VIETOS SAUGA

- Darbo vieta turi būti švari ir gerai apšviesta. Nelaimingi atsitikimai įvyksta netvarkingose ar tamsiose vietose.
- Neekspluatuokite elektros įrankio sprogioje aplinkoje, pavyzdžiui, jei yra degių skysčių, dujų arba dulkių. Dirbant su elektros įrankiu, susidaro kibirkštys, kurios gali uždegti dulkes arba dūmus.
- Dirbdami su elektros įrankiu, arti neprileisite vaikų ir pašalinių asmenų. Dėl išsiblaškyimo, galite prarasti kontrolę.

ELEKTROS SAUGA

- Elektros įrankių kištukai turi atitikti maitinimo laidą. Niekada nekeiskite kištuko konstrukcijos. Nenaudokite jokių adapterio kištukų su įžemintais elektros įrankiais. Nemodifikuoti kištukai ir tinkantys maitinimo laidai sumažina elektros smūgio grėsmę.
- Nesilieskite prie įžemintų paviršių, pavyzdžiui, vamzdžių, radiatorių, viryklių ir šaldytuvų. Įžeminis savo kūną, atsiranda žymiai didesnė elektros smūgio grėsmė.
- Nenaudokite elektros įrankių lietuje ar drėgmėje. Dėl vandens, patekusio į elektros įrankį, padidėja elektros smūgio grėsmė.
- Tinkamai elkitės su laidu. Neneškite, nevilkite elektros įrankio ir netraukite kištuko iš maitinimo

lizdo už laido. Saugokite laidą nuo karščio, tepalo, aštrių kraštų ir judančių detalių. Dėl pažeisto arba supainiota laido padidėja elektros smūgio grėsmė.

- Eksploatuodami elektros įrankį lauke, naudokite ilginamąjį laidą, tinkantį dirbti lauke. Naudojant laidą, tinkantį dirbti lauke, sumažėja elektros smūgio grėsmė.
- Jei su elektros įrankiu reikia dirbti drėgnoje vietoje, naudokite maitinimą, apsaugotą liekamosios srovės įrenginiu (RCD). Naudojant RCD, sumažėja elektros smūgio grėsmė.

ASMENINĖ SAUGA

- Būkite budrus, žiūrėkite, ką darote, ir galvokite, dirbdami su elektros įrankiu. Nedirbkite su elektros įrankiu, jei esate pavargę, apsaugę nuo narkotinių medžiagų, alkoholio arba vaistų. Dėl neatidumo, dirbant su elektros įrankiais, galima rimtai susižaloti.
- Naudokite individualias darbo saugos priemones. Visada dėvėkite akių apsaugos priemones. Darbo saugos priemonės, pavyzdžiui, priešdulkinė puskaukė, neslystanti apsauginė avalynė, šalmas arba klausos apsaugos priemonės, sumažins riziką susižaloti.
- Būkite atsargūs, kad įrankis atsitiktinai neįsijungtų. Prieš įjungdami į maitinimo šaltinį ir (arba) įdėdami baterijos paketą, pakeldami arba nešdami įrankį, patikrinkite, ar jungiklis yra išjungtas. Jei įrankį nešite uždėję pirštą ant jungiklio arba jei tuo metu įjungsite maitinimą, gali nutikti nelaimingų atsitikimų.
- Prieš įjungdami elektros įrankį, ištraukite bet kokį reguliavimo raktą arba veržliaraktį. Veržliaraktis arba raktas, paliktas pritvirtintas prie judančios elektros įrankio detalės, gali sužeisti.
- Nepersitempkite. Visada stovėkite ant tinkamo pagrindo, kad išlaikytumėte pusiausvyrą. Taip netikėtose situacijose geriau suvaldysite elektros įrankį.
- Tinkamai apsirenkite. Nesidėkite laisvų drabužių ar papuošalų. Saugokite plaukus ir drabužius nuo judančių dalių. Laisvus drabužius, papuošalus ar ilgus plaukus gali prispausti judančios dalys.
- Jei kartu tiekiami prietaisai, skirti dulkėms ištraukti ir joms surinkti, patikrinkite, ar jos prijungtos, ir tinkamai naudokite. Surenkant dulkes, gali sumažėti su dulkėmis susijusių pavojų.
- Kai prietaiso naudojimas tampa rutina, kyla pavojus užmiršti laikytis saugos taisyklių. Nerūpestingas darbas gali lemti sunkius sužeidimus vos per sekundės dalį.

ELEKTROS ĮRANKIO NAUDOJIMAS IR PRIEŽIŪRA

- Dirbdami su elektros įrankiu, nenaudokite jėgos. Savo darbams naudokite tinkamą elektros įrankį. Su tinkamu elektros įrankiu darbą atliksite geriau ir saugesniu greičiu, kuriam jis buvo suprojektuotas.
- Nenaudokite elektros įrankio, jei jungiklis neįsijungia ir neišsijungia. Bet koks elektros įrankis, kurio negalima reguliuoti jungiklio, yra pavojingas ir turi būti remontuojamas.
- Atjunkite kištuką nuo maitinimo šaltinio ir (arba) išimkite akumuliatoriaus bloką (jei galima) iš variklinio prietaiso prieš atlikdami bet kokius reguliavimo darbus, keisdami priedus arba padėdami prietaisus į laikymo vietą. Tokios





preveninės saugos priemonės apsaugo, kad elektros įrankis atsitiktinai neįsijungtų.

- **Nenaudojamus elektros įrankius laikykite vaikams nepasiekiamoje vietoje ir neleiskite jų naudoti asmenims, kurie nėra susipažinę su jais ar perskaitę šias instrukcijas.** Elektros įrankiai nekvalifikuotų naudotojų rankose yra pavojingi.
- **Tinkamai prižiūrėkite prietaisus ir jų priedus.** Tikrinkite, ar tinkama judančių dalių lygiuotė ir ar nėra sukibusios jos, ar nėra jos įtrūkusios ir ar nėra kitų sąlygų, kurios trukdytų tinkamai eksploatuoti elektros įrankį. Jei elektros įrankis sulūžo, prieš jį pradėdami vėl eksploatuoti, suremontuokite. Daug nelaimingų atsitikimų nutinka dėl netinkamai prižiūrimų elektros prietaisų.
- **Pjovimo įrankiai turi būti aštrūs ir švarūs.** Tinkamai prižiūrėti ir aštrūs pjovimo įrankiai rečiau įstringa ir yra lengviau valdomi.
- **Elektros įrankį, priedus ir detales naudokite pagal šias instrukcijas, atsižvelgdami į darbo sąlygas bei atliekamą patį darbą.** Naudojant elektros prietaisą ne pagal naudojimo paskirtį, gali susidaryti pavojingos situacijos.
- **Užtikrinkite, kad rankenos ir kiti paviršiai, už kurių laikote prietaisą, būtų sausi, švarūs ir neištepti alyva ar tepalu.** Slidžios rankenos ir laikymo paviršiai trukdo saugiai dirbti prietaisu ir jį kontroliuoti netikėtose situacijose.

BATERINIO ĮRANKIO NAUDOJIMAS IR PRIEŽIŪRA

- **Pakartotinai kraukite tik su gamintojo nurodytu įkrovikliu.** Vieno tipo baterijų paketui tinkantis įkroviklis gali kelti gaisro grėsmę kitokiam baterijų paketui.
- **Elektros įrankius naudokite tik su jiems specialiai suprojektuotais baterijų paketais.** Naudojant kitokius baterijų paketus, galima susižaloti arba gali užsidegti.
- **Kai baterijos paketas nenaudojamas, jo negalima laikyti šalia kitų metalinių objektų, pavyzdžiui, sąvaržėlių, monetų, raktų, vinių, varžtų ar kitų mažų metalinių daiktų, kurie vieną išvadą gali sujungti su kitu.** Sutrumpinus vieną baterijos išvadą su kitu, galima nusideginti arba gali užsidegti.
- **Netinkamomis sąlygomis iš baterijos gali ištekti skystis; nelieskite jo.** Jei netyčia prisiliečiate, nuplaukite vandeniu. Patekus į akis, papildomai kreipkitės į gydytoją. Iš baterijos ištekėjęs skystis gali sudirginti arba nudeginti.
- **Nenaudokite sugadinto arba modifikuoto akumulatoriaus bloko ar prietaiso.** Sugadinti arba modifikuoti akumulatoriai gali veikti kitaip nei tikėtis ir užsidegti, sprogti arba sužeisti.
- **Saugokite akumulatoriaus bloką ir prietaisą nuo ugnies ir labai aukštos temperatūros.** Ugnies arba aukštesnės nei 130°C temperatūros poveikis gali sukelti sprogimą.
- **Laikytės visų įkrovimo instrukcijų ir įkraukite akumulatoriaus bloką arba prietaisą tik instrukcijose nurodytame temperatūros diapazone.** Įkraunant netinkamai arba kitokioje nei nurodyta temperatūroje kyla pavojus sugadinti akumulatorių ir sukelti gaisrą.

REMONTAS

- **Jūsų elektros įrankį turi remontuoti kvalifikuotas remontininkas, naudojantis tik identiškas atsargines detales.** Taip užtikrinsite elektros įrankio saugą.
- **Draudžiama atlikti sugadintų akumulatoriaus bloku priežiūros darbus.** Tokius darbus leidžiama atlikti tik gamintojui arba įgaliotiems techninės priežiūros paslaugų teikėjams.

BENDRIEJI SAUGOS ĮSPĖJIMAI

⚠ ĮSPĖJIMAS

Perskaitykite visus su šiuo gaminiu pateiktus saugos įspėjimus, nurodymus, paveikslėlius ir specifikacijas. Įspėjimų ir instrukcijų nesilaikymas gali sukelti elektros smūgį, gaisrą ir (ar) rimtus sužeidimus.

⚠ ĮSPĖJIMAS

Būtina laikytis saugos reikalavimų naudojantis šiuo produktu. Dėl savo pačių ir šalia esančių asmenų saugumo, perskaitykite šias instrukcijas prieš pradėdami dirbti prietaisu. Šias instrukcijas reikia išsaugoti ateičiai.

⚠ ĮSPĖJIMAS

Krūmaprovės negali naudoti vaikai ar asmenys su fiziniais, psichiniais ar jutimais sutrikimais. Vaikus reikia tinkamai prižiūrėti, kad jie nežaistų su krūmaprove.

⚠ ĮSPĖJIMAS

Kai kuriuose regionuose taisyklės riboja įrenginio naudojimą. Kreipkitės patarimo į vietos įstaigą.

APMOKYMAS

- Atidžiai perskaitykite instrukcijas. Būtina susipažinti su gaminio valdymo įtaisais ir tinkamo naudojimo nurodymais.
- Šio gaminio jokiu būdu negalima leisti naudoti vaikams ar asmenims, nesusipažinusiems su šiomis instrukcijomis. Vietos įstatymai gali apriboti įrengimo operatoriaus amžių.
- Pašaliniai asmenys, vaikai ir gyvūnai turi būti 15 m atstumu nuo genėjimo vietos. Į apdirbamą plotą įėjus pašaliniam asmeniui, gaminį reikia sustabdyti.
- Gaminio jokiu būdu negalima naudoti pavargus, sergant ar apsvaigus nuo alkoholio, narkotinių medžiagų ar vaistų.
- Turėkite omenyje, kad operatorius arba vartotojas yra atsakingas už nelaimingus atsitikimus arba kitiems asmenims ar jų turtui sukeltą pavojų.

PARUOŠIMAS

- Naudodami šį įrenginį, dėvėkite pilną akių ir klausos apsaugą. Dirbant zonoje, kurioje gali kristi objektai, būtina dėvėti galvos apsaugos priemones.





- Klausos apsaugos priemonės gali kliudyti operatoriui išgirsti įspėjamuosius garsus. Ypatingą dėmesį reikia atkreipti į potencialius pavojus aplink darbo sritį ir joje.
- Dėvėkite sunkias ilgas kelnes, batus ir pirštines. Nedėvėkite dukšlių drabužių, trumpų kelnių, papuošalų ir atviros avalynės.
- Ilgus plaukus reikia susėti virš pečių lygio, kad neįsipainiotų į judančias dalis.
- Prieš naudodami įrenginį ir po bet kokio jo sutrenkimo patikrinkite, ar nėra pakenktų dalių. Nekokybišką jungiklį ar pakenktą arba susidėvėjusią dalį reikia tinkamai sutaisyti arba pakeisti. Dalis keisti gali tik įgaliotas techninio aptarnavimo centras.
- Įsitikinkite, ar valymo įtaisas yra tinkamai sumontuotas ir tvirtai pritvirtintas.
- Gaminio jokiū būdu negalima naudoti, jeigu nėra tinkamai pritvirtinti apsauginiai įtaisai, kreiptuvai ir rankenos.
- Prieš pradėdami naudoti elektrinius įrankius atidžiai apžiūrėkite darbo aplinką. Darbo plote negali mėtytis laidai, pagaliai, akmenys ir nuolaužos, kurie, įstrigę pjovimo įtaise, iš jo „iššauga“.

ĮRANKIO SU AKUMULIATORIUMI NAUDOJIMAS IR PRIEŽIŪRA

- Pakartotinai kraukite prietaisą tik naudodami gamintojo nurodytą kroviklį. Vieno tipo akumulatoriui tinkantis įkroviklis gali kelti gaisro pavojų kitokiam akumulatoriui.
- Elektrinius įrankius naudokite tik su jiems skirtais baterijų paketais. Naudojant kitokius akumulatorius, galima susižeisti ar sukelti gaisrą.
- Kai akumulatorius nenaudojamas, jį laikykite toliau nuo kitų metalinių daiktų, pavyzdžiui, sąvaržėlių, monetų, raktų, vinių, varžtų ar kitų mažų metalinių daiktų, kurie vieną gnybtą gali sujungti su kitu. Sutrupinus vieną akumulatoriaus gnybtą su kitu, galima nusideginti arba sukelti gaisrą.
- Netinkamomis sąlygomis iš akumulatoriaus gali ištekėti skystis - nelieskite jo. Jei atsitiktinai prisilietėte - nuplaukite vandeniu. Jei skysčio pateko į akis, papildomai kreipkitės į gydytoją. Iš akumulatoriaus ištekėjęs skystis gali nudeginti ar sukelti sudirginimus.

AKUMULIATORINIO TERASŲ PLOVIMO ĮRENGINIO NAUDOJIMO SAUGOS TAISYKLĖS

- Jokiū būdu neleiskite naudoti krūmapjovės vaikams, asmenims su fiziniais, jutimaisiais ar psichiniais sutrikimais, ar žmonėms, neturintiems reikiamos patirties ir žinių, arba nesusipažinusiems su šiomis instrukcijomis.
- Naudokite šį gaminį dienos šviesoje ar esant geram dirbtiniam apšvietimui.
- Dirbdami šlaituose visada tvirtai stovėkite ant žemės ir išlaikykite pusiausvyrą.
- Pjaudami, neikite atbulomis.
- Visada eikite, niekada nebėkite.
- Pjovimo įtaisas privalo būti laikomas žemiau juosmens linijos.

- Niekada nedirbkite šiuo gaminiu, jei apgadintos apsaugos arba jei apsaugos neuždėtos.
- Rankos ir pėdos visada privalo būti atokiai nuo valymo priemonių, ypač variklio įjungimo metu.
- Niekada nedirbkite šiuo gaminiu, jei apgadintos apsaugos arba jei apsaugos neuždėtos.
- Išjunkite įrenginį ir išimkite akumulatorių. Patikrinkite, ar visos judančio dalys visiškai nustojo sukstis:
 - prieš atlikdami techninę priežiūrą
 - Prieš palikdami įrenginį be priežiūros
 - prieš pašalindami užsikimšimą
 - prieš tikrindami ar valydami prietaisą arba prieš pradėdami juo pjauti žolę;
 - prieš keisdami priedus
 - kliudę pašalinį objektą
 - kaskart atlikdami techninę priežiūrą
 - Prietaisui pradėjus neįprastai vibruoti
- Naudodami šį įrenginį, dėvėkite pilną akių ir klausos apsaugą. Dirbant zonoje, kurioje gali kristi objektai, būtina dėvėti galvos apsaugos priemones.
- Klausos apsaugos priemonės gali kliudyti operatoriui išgirsti įspėjamuosius garsus. Ypatingą dėmesį reikia atkreipti į potencialius pavojus aplink darbo sritį ir joje.
- Ilgus plaukus reikia susėti virš pečių lygio, kad neįsipainiotų į judančias dalis.
- Visada patikrinkite, ar ventiliavimo angos nėra užsikimšusios atliekomis.
- Prieš naudodami įrenginį ir po bet kokio jo sutrenkimo patikrinkite, ar nėra pakenktų dalių. Sugedęs jungiklis ar bet kokia kita sugedusi ar apgadinta detalė turi būti remontuojama arba keičiama tik įgalioto remonto centro.
- Jokiū būdu nemodifikuokite įrenginio: gali padidėti pavojus susižeisti patiems bei sužeisti kitus.
- Nelaimingo atsitikimo arba gedimo atveju nedelsdami išjunkite įrenginį ir išimkite akumulatorių. Nenaudokite įrenginio tol, kol jis nebus išsamiai patikrintas įgaliotos techninės priežiūros centre.
- Prieš pradėdami darbą, visada išbandykite įrenginį ant medžiagos, kurią norite plauti.

PAPILDOMI AKUMULIATORIAUS SAUGOS ĮSPĖJIMAI

⚠ ĮSPĖJIMAS

Siekdami išvengti trumpojo jungimo sukiamą gaisro pavojaus, sužalojimų arba produkto pažeidimų, neikiškite įrankio, keičiamo akumulatoriaus arba įkroviklio į skysčius ir pasirūpinkite, kad į prietaisus arba akumulatorius nepatektų jokių skysčių. Koroziją sukeliantis arba laidūs skysčiai, pvz., sūrus vanduo, tam tikri chemikalai ir balikliai arba produktai, kurių sudėtyje yra baliklių, gali sukelti trumpąjį jungimą.



GABENIMAS IR LAIKYMAS

- Prieš padedant į sandėlį ar transportuojant, gaminį reikia sustabdyti, išimti bateriją ir palikti, kol prietaisą atvės.
- Nuo įrankio nuvalykite visas pašalines medžiagas.
- Nesandėliuokite ir netransportuokite įrenginio su įdėtais akumulatoriais; išimkite juos ir laikykite atskirai. Laikykite vėsioje, sausoje, gerai vėdinamoje ir vaikams nepasiekiamoje vietoje. Nelaikykite jo arti nuo tokių koroziją sukeliančių reagentų kaip cheminės sodininkystės medžiagos arba druskos, naudojamos prieš apledėjimą. Nelaikykite lauke.
- Pasirūpinkite įrankiu transportavimo metu.
- Paruošiant gabenimui, gaminį reikia pritvirtinti, kad nejudėtų ir nenukristų, nes priešingu atveju jis gali sužaloti žmones arba sugesti pats.

LIČIO BATERIJŲ TRANSPORTAVIMAS

Akumuliatorių gabenkite pagal vietinius ir šalies reikalavimus bei nuostatas. Akumulatorius gabenant trečiajai šaliai būtina laikytis visų specialių reikalavimų, nurodytų pakuotėse ir etiketėse.

Užtikrinkite, kad gabavimo metu nei vienas akumulatorius nesiliestų su kitais akumulatoriais arba laidžiosiomis medžiagomis – apsauginius jungiamuosius elementus uždenkite izoliacinėmis nelaidžiomis movomis arba juosta. Įskilusių ir tekančių akumuliatorių negabenkite. Dėl tolesnių patarimų kreipkitės į transporto įmonę.

PRIEŽIŪRA

⚠ ĮSPĖJIMAS

Keitimui naudokite tik originalias gamintojo atsargines dalis. Neoriginalios dalys gali būti sužeidimų ir įrenginio blogo veikimo priežastis, ir dėl to gali būti anuliuotas garantinis pažymėjimas.

⚠ ĮSPĖJIMAS

Aptarnavimą atlikti būtina itin atidžiai, todėl rekomenduojame, kad techninę apžiūrą vykdytų kvalifikuotas specialistas. Įrenginį techninei priežiūrai pristatykite tik į įgaliotąjį techninės priežiūros centrą. Atlikdami prietaiso techninę priežiūrą, keitimui naudokite tik originalias, prietaiso gamintojo atsargines dalis.

- Prieš atlikdami bet kokius techninės priežiūros ar valymo darbus išjunkite įrenginį ir išimkite akumuliatorių.
- Prietaisą galite reguliuoti ir remontuoti, kaip aprašyta šiame naudotojo vadove. Dėl kitų remonto darbų kreipkitės į įgaliotą techninio aptarnavimo centrą.
- Dažnai tikrinkite visas varžles, varžtus ir sraigtus, ar jie tvirtai laikosi ir ar gaminy yra saugios darbo būklės stovyje. Bet kurią apgadintą detalę leidžiama remontuoti arba keisti tik autorizuosime aptarnavimo centre.
- Prireikus pakeisti sugadintas ar neįskaitomas etiketes, gaminį reikia nugabenti į įgaliotą techninio aptarnavimo centrą.

ŠALUTINIAI PAVOJAI

- Net naudojant gaminį pagal nurodymus, neįmanoma visiškai atmesiti visų pavojaus veiksnių. Naudojant gaminį gali kilti toliau išvardinti pavojai ir naudotojas turi kreipti ypatingą dėmesį, kad jų išvengtų:
- Vibracijos sukeltas sužalojimas
 - Laikyti gaminį už tam skirtų rankenų ir roboti darbo laiką bei buvimą sveikatai žalingoje aplinkoje.
 - Triukšmo sukelta trauma
 - Dėvėkite akių apsaugą ir ribokite poveikio trukmę.
 - Skriejančių atplaišių sukelti sužeidimai.
 - Būtinai dėvėti akių apsaugą.

RIZIKOS MAŽINIMAS

- Turime pranešimų, kad vibracija nuo ranka laikomų įrankių kai kuriems asmenims gali turėti neigiamos įtakos vystantis Raynaud sindromui. Šios ligos požymiai yra pirštų dilgčiojimas, nutirpimas ir pabalimas, paprastai pasireiškiantis nuo šalčio. Šie simptomai vystosi dėl paveldimų veiksnių, nesisaugant nuo šalčio ir drėgmės, dėl mitybos, rūkymo ir darbo praktikos. Operatorius gali imtis šių priemonių, kurios gali sumažinti vibracijos poveikį:
- Apsirenkite kuo šilčiau šaltu oru. Naudojant gaminį, reikia mūvėti pirštines, kad plaštakos ir riešai neatšaltų. Turime pranešimų, kad Raynaud sindromas labiausiai vystosi nuo šalto oro sąlygų.
 - po darbo kiekvieną kartą pasportuokite, kad pagerėtų kraujo apytaka;
 - dažnai darykite darbo pertraukas. Aprobokite darbo laikotarpį per dieną.
- Jei jums pasireiškia kokie nors šios būklės simptomai, nedelsdami nutraukite darbą ir kreipkitės į gydytoją.

⚠ ĮSPĖJIMAS

Ilgiau naudojant, įrankis kelia sužeidimų pavojų ir apsunkina darbą. Ilgiau naudojant įrankius, reikia reguliariai daryti pertraukas.

PAŽINKITE SAVO GRANDININĮ PJŪKLĄ

Žr. 138 psl.

- Dalys**
1. Užrakinimo fiksatorius
 2. Perjungiklis
 3. Vielinis šepetys
 4. Ratas
 5. Sukamojo šepetio įtaisas
 6. Sukamasis šepetys
 7. Įkroviklis
 8. Akumulatoriaus fiksatorius
 9. Baterija
 10. Priedo keitimo mygtukas
 11. Vamzdžio ilginimo skląstis
 12. Rankenėlė
 13. Rankena

SIMBOLIAI ANT ĮRENGINIO



Prieš naudodami įrenginį, atidžiai perskaitykite instrukcijas, laikykitės įspėjimų ir saugos nurodymų.



Dėvėkite apsauginius akinius



Dėvėkite ausų apsaugos priemones



Mūvėkite apsauginėmis pirštinėmis



Naudodamiesi šiuo gaminiu visada avėkite avalynę neslystančiais padais.



Nenaudoti lyjant ar esant drėgnoms sąlygoms.



Saugokitės išmetamų arba skrendančių objektų. Visi pašaliniai asmenys, ypač vaikai ir naminiai gyvūnai, turi būti ne arčiau kaip 15 m nuo darbo vietos.



Rankas laikykite toliau



Elektrinių produktų atliekos neturi būti metamos kartu su namų ūkio atliekomis. Prašome perdirbkite jas ten, kur yra tokios perdirbimo bazės. Dėl perdirbimo patarimo kreipkitės į savo vietinę savivaldybę ar pardavėją.



Šis prietaisas atitinka visas reglamentuotas normas ES šalis, kur jis buvo nupirtas.



„EurAsian“ atitikties ženklas



Ukrainos atitikties ženklas

ATSARGIAI

(be įspėjamojo šauktuko) Reiškia situaciją, kurioje galima sugadinti turtą.

SIMBOLIAI VADOVE



Detalės arba priedai yra parduodami atskirai



Pastaba



Įspėjimas!

Toliau pateikti signaliniai žodžiai skirti paaiškinti rizikos, susijusios su gaminiu, lygius:



PAVOJUS

Reiškia ypač pavojingą padėtį, kurios neišvengus bus patirti sunkūs ar net mirtini sužeidimai.



ĮSPĖJIMAS

Reiškia potencialiai pavojingą situaciją, kurios neišvengus galimi sunkūs ar net mirtini sužeidimai.



ATSARGIAI

Reiškia potencialiai pavojingą situaciją, kurios neišvengus galimi lengvi ar vidutinio sunkumo sužeidimai.



Juhtmeta terrassipuhasti juures on peetud esmatähtsaks ohutust, töövõimet ja töökindlust.

OTSTARBEKOHANE KASUTAMINE

Terrassipuhastit tohivad kasutada täiskasvanud, kes on lugenud kasutusjuhendit ja saavad aru selles olevatest juhistest ja hoiatustest, ning kes vastutavad oma tegevuse eest.

See seade on ette nähtud kasutamiseks vaid väljaspool ruume, hästiventileeritud kohas. Toodet kasutatakse lamedate pindade ning liite- ja vahekohtade puhastamiseks välitingimustes, sh kiviplaatide, plaatide, sillutus kivide ja puitpindade puhastamiseks. Toode ei sobi kasutamiseks vertikaalselt, näiteks majaseintel, ega pea kohal nagu näiteks lagedel.

Ärge kasutage ühekski muuks otstarbeks.

ÜLDISED OHUTUSREEGLID

⚠ HOIATUS!

Lugege läbi kõik mehaanilise tööriista kohta esitatud ohuhoiatused ning tutvuge tööriista jooniste ja tehniliste andmetega. Kõigi allpool loetletud juhiste mittejärgimine võib põhjustada elektrilöögi, tulekahju ja/või raske vigastuse.

Hoidke hoiatusi ja juhiseid edaspidiseks juhendumiseks alles.

Hoiatuses kasutatav termin (mehaaniline) elektritööriist tähendab elektritöevõrgust või akust toidet saavat mehaanilist tööriista.

TÖÖKOHA OHUTUS

- Hoidke töökoht puhas ja hästi valgustatud. Korrastamata ja pimedas kohas töötamisel võivad juhtuda õnnetused.
- Ärge kasutage mehaanilisi tööriistu plahvatusohtlikes keskkondades, näiteks kergestisüttivate vedelike, gaaside läheduses ja tolmuses kohas. Elektrilised tööriistad võivad tekitada sädemeid, mis võivad tolmu või gaasid süüdata.
- Elektrilise tööriistaga töötamisel hoidke lapsed ja kõrvalisi isikud eemal. Tähelepanu hajumise korral võib teil kontroll kaduda.

ELEKTRIOHUTUS

- Elektripistik peab pistikupesasse sobima. Ärge püüdke pistiku konstruktsiooni mingil moel muuta. Ärge ühendage maanduskontaktiga elektrilisi tööriistu elektrivõrku läbi vahepistikute. Pistiku ja pistikupesasse konstruktsiooni muutmise korral tekib elektrilöögi oht.
- Töötamisel hoiduge kehalisest kontaktist maandatud pindadega, näiteks torude, radiaatorite, elektripliitide ja külmikutega. Kehaosade maandamisel tekib suurendatud elektrilöögi oht.
- Ärge jätke elektrilisi tööriistu vihma kätte või niiskesse kohta. Vee sattumisel elektrilise tööriista sisemusse suureneb elektrilöögi oht.
- Ärge kasutage toitekaablit nõuetevastasel.

Ärge kasutage toitekaablit tööriista kandmiseks, vedamiseks ja pistikupesast välja tõmbamiseks. Hoidke toitekaablit eemale kütkekehadedest, õlist, teravatest servadest ja liikuvatest osadest. Vigastatud või keerdus toitekaablid suurendavad elektrilöögi ohtu.

- Väljas töötamisel kasutage välitingimustes kasutamiseks lubatud pikendusjuhtmeid. Välitingimustes kasutatav pikendusjuhe vähendab elektrilöögi ohtu.
- Kui niisketes oludes töötamine on vältimatu, siis kasutage rikkevoolu-kaitselülitiga (RCD) kaitstud toitevõrku. RCD kasutamine vähendab elektrilöögi ohtu.

ISIKUKAITSE

- Tööriistaga töötamisel jälgige tööpiirkonda ja kasutage sealjuures tervet mõistust. Ärge kasutage tööriista siis, kui te olete väsinud, uimastite, alkoholi või ravimite mõju all. Hetkeline tähelepanu hajumine tööriista kasutamise ajal võib põhjustada raske kehavigastuse.
- Kasutage isikukaitsevahendeid. Kandke silmade kaitsevahendeid. Kui tööolud seda nõuavad tuleb kasutada isikukaitsevahendeid, näiteks tolmumaski, libisemiskindlaid tööjalatseid, kiivrit ja kuulmiskaitsevahendeid, mis kehavigastuste riski vähendavad.
- Vältige tööriista tahmatut käivitamist. Enne toitekaabli või aku ühendamist, tööriista kättevõtmist või teisaldamist veenduge, et tööriista lüliti on välja lülitatud asendis. Õnnetuste vältimiseks ärge hoidke tööriista kandmise ajal sõrme lüliti ega ühendage tööriista toitevõrku siis, kui selle lüliti on sisse lülitatud.
- Enne tööriista sisselülitamist eemaldage sellelt reguleervõti või mutrivõti. Elektrilise tööriista külge jäetud reguleervõti või mutrivõti võivad põhjustada tõsise kehavigastuse.
- Ärge küünitage end liigselt välja. Hoidke end pidevalt jalgedel ja tasakaalus. Siis on teil parem kontroll tööriista üle ootamatu olukorra tekkimisel.
- Kandke tööks sobivat riietust. Ärge kandke lõtvu riideid ja ehteid. Hoidke juuksed ja riided liikuvatest osadest eemal. Lahtised riietuseseimed, ehted ja pikad juuksed võivad haakuda liikuvate osade külge.
- Kui tööriistal on tolmu eraldamis- või kogumisseadised, siis veenduge, et need on nõuetekohaselt ühendatud ja kasutatavad. Tolmukoguri kasutamisega saab vähendada tolmuga seotud riske.
- Ärge laske end eksitada sellest, et olete kasutanud tööriista juba sageli; ärge muutuge hooletuks ega eirake ohutuspõhimõtteid. Hooletu tegevus võib põhjustada raske vigastuse sekundi murdosa jooksul.

ELEKTRILISE TÖÖRIISTA KASUTAMINE JA KOR-RASHOID

- Ärge koormake tööriista üle. Kasutage tööks sobivat tööriista. Õigesti valitud tööriist töötab paremini ja ohutumalt selles võimsuspiirkonnas, millele on see ette nähtud.
- Ärge kasutage tööriista, kui selle lüliti ei lülita seda



sisse ja välja. Lülitiga lülitamatu tööriista kasutamine on ohtlik ja see tuleb lasta ära remondida.

- Tõmmake pistik vooluvõrgust välja ja/või eemaldage (võimalusel) tööriista aku enne iga reguleerimistööd, tarvikute vahetamist või tööriista hoiustamist. Need ennetavad turvameetmed vähendavad tööriista tahtmatu käivitumise riski.
- Hoidke kasutuses mitteolevaid tööriistu lastele kättesaamatus kohas ja ärge lubage tööriista mittetundvaid või kasutusjuhendiga mittetutvunud isikuid tööriista kasutada. Oskamatu kasutaja käes olev tööriist on ohtlik.
- Elektrilise tööriista ja tarvikute hooldus. Kontrollige liikuvate osade tsentreeeritust, kinnitust ja vigastusi ning muude osade seisundit, mis võivad mõjustada tööriista tööd. Kui mõni osa on vigastatud, siis laske tööriist enne kasutamist ära parandada. Halvasti hooldatud tööriistad põhjustavad palju õnnetusi.
- Hoidke lõikeriistad teravad ja puhtad. Teravate lõikeservadega ja nõuetekohaselt hooldatud lõikeriistad jäävad harvemini kinni ja neid on kergem juhtida.
- Tööriistade, tarvikute, otsakute ja muude lisaseadmete kasutamisel juhenduge nende kasutusjuhenditest, võttes arvesse tehtavat tööd ja tööolusid. Tööoperatsiooniks mitte ettenähtud tööriista kasutamine võib tekitada ohtliku olukorra.
- Hoidke käepidemed ja pinnad, millest saab kinni haarata, kuivad, puhtad ning õli- ja määrdevabad. Libedad käepidemed ja kinnihaaratavad pinnad ei võimalda ootamatutes olukordades tööriista ohutult käsitseda ja kontrolli all hoida.

AKUTÖÖRIISTA KASUTAMINE JA KORRASHOID

- Laadige akut ainult tootja poolt ettenähtud laadimisseadmega. Akule mittesobiva laadimisseadme kasutamine võib põhjustada tulekahju.
- Kasutage akutööriista ainult selleks ettenähtud akudega. Muu aku kasutamine võib põhjustada kehavigastuse või tulekahju.
- Sel ajal kui aku ei ole kasutusel, hoidke seda eemal teistest metallesemetest, nagu kirjklambrid, mündid, võtmed, naelad, kruvid või muudest väikestest metallobjektidest, mis võivad akuklemmid lühistada. Aku klemmide lühistamine võib põhjustada põletust või tulekahju.
- Aku vale kasutamise korral võib akuvedelik välja voolata. Vältige kokkupuudet väljavoolava vedelikuga. Akuvedeliku nahale sattumisel peske see veega maha. Silma sattumisel tuleb pöörduda arsti poole. Akuvedelik võib tekitada nahaärritust või -põletust.
- Ärge kasutage kahjustatud või muudetud akut ega tööriista. Kahjustatud või muudetud akud võivad käituda ettearvatult ning põhjustada tulekahju, plahvatuse või vigastuse ohu.
- Ärge pange akut ega tööriista kohta, kus see võib kokku puutuda lahtise tule või kõrge temperatuuriga. Kokkupuude tulega või üle 130°C temperatuur võivad põhjustada plahvatuse.
- Järgige kõiki laadimisjuhiseid ja ärge laadige akut või tööriista väljaspool juhendis määratletud temperatuurivahemikku. Vale laadimine või laadimine väljaspool määratletud temperatuurivahemikku võib

aku rikkuda ja suurendada tulekahju ohtu.

TEENINDUS

- Laske oma elektritööriista hooldada väljaõppinud teenindustöötajal. Remondil tohib kasutada ainult originaal-varuosi. Sellega on tagatud tööriista ohutus.
- Ärge kunagi remontige kahjustatud akut. Akut tohivad remondida ainult tootja või selleks volitatud hooldusteenuse osutajad.

OHUTUSE ÜLDEESKIRJAD

⚠ HOIATUS

Lugege läbi kõik tootega kaasasolevad ohutusjuhised, illustatsioonid ja spetsifikatsioonid. Hoiatuste ja juhiste eiramisel on oht saada elektrilööki või raskeid kehavigastusi ning/või põhjustada tulekahju.

⚠ HOIATUS

Seadme kasutamisel tuleb järgida ohutusreegleid. Teie ja kõrvalseisjatele ohutuse tagamiseks lugege käesolevaid juhiseid enne seadme kasutamist läbi. Hoidke juhend edaspidiseks kasutamiseks alles.

⚠ HOIATUS

Seade ei ole ette nähtud kasutamiseks laste või nende isikute poolt, kellel on piiratud füüsilised, vaimsed või sensoorsed võimed. Laste järele tuleb piisavalt valvata, et nad seadmega ei mängiks.

⚠ HOIATUS

Mõnedes piirkondades on seadused, mis piiravad selle toote kasutamist. Lisateavet saate kohalikust omavalitsusest.

VÄLJAÕPE

- Lugege juhised hoolikalt läbi. Õppige tundma kõiki seadme juhtseadiseid ja kasutusnõudeid.
- Ärge laske kultivaatorit kasutada lastel ega neil, kes ei ole käesoleva juhendiga tutvunud. Kohalikud regulatsioonid võivad seada kasutaja vanusele piiranguid.
- Hoidke kõik kõrvalseisjad, lapsed ja lemmikloomad tööalalt vähemalt 15 meetri kaugusele. Kui keegi tööpiirkonda siseneb, siis seisake kultivaator.
- Ärge kasutage kultivaatorit väsinuna või haigena ega siis, kui olete uimaste, alkoholi või ravimite mõju all.
- Pidage meeles, et operaator või kasutaja on vastutav õnnetuste või ohuolukordade eest, mis võivad puudutada teisi inimesi või nende vara.

ETTEVALMISTUSTOIMINGUD

- Kandke selle seadme kasutamisel kaitseprille ja kõrvklappe. Töötamisel kohtades, kus on allakukkuvate esemete oht, tuleb kanda kiivrit.
- Kuulmiskaitse võib takistada kasutajal kuulda



hoiatussignaale. Pöörake tähelepanu tööpiirkonnas ja selle ümbruses olevatele ohtudele.

- Kandke tugevast riidest pikki pükse, saapaid ja kindaid. Ärge kandke lõtvu riideid, lühikesi pükse, mistahes ehteid ega töötage paljajalu.
- Kinnitage pikad juuksed õlgadest kõrgemale, et vältida nende takerdumist liikuvate osade vahele.
- Enne töötamise alustamist kontrollige, et seadme osad ei ole vigastatud. Vigastatud lüliti ja vigastatud osad tuleb lasta pädeval hooldajal parandada või asendada.
- Kontrollige, et puhastustarvik on õigesti paigaldatud ja turvaliselt kinnitatud.
- Ärge hakake masinat enne kasutama, kui olete veendunud, et kõik kaitsed, suunajad ja käepidemed on õigesti ja ohutult kinnitatud.
- Hinnake keskkonda, kus töötate. Hoidke töökoht vaba traatidest, vaiadest, kividest ja prahist, mis võivad lõikeorganiga kokku puutudes välja paiskuda.

AKUTÖÖRIISTA KASUTAMINE JA KORRASHOID

- Laadige akut ainult tootja poolt ettenähtud laadijaga. Akulaadaja, mis sobib ühele akupaketile võib põhjustada tulekahju, kui seda kasutada teise akupaketiga.
- Kasutage akutööriista ainult selleks ettenähtud akudega. Muude akupaketide kasutamine võib põhjustada kehavigastusi või tulekahju.
- Sel ajal kui akupakett ei ole kasutusel, hoidke seda eemal metallesemetest nagu kirjaklambrid, mündid, võtmed, naelad, kruvid ja muudest väikestest metallobjectidest, mis võivad akuklemmid lühistada. Aku klemmide lühistamine võib põhjustada põletust või tulekahju.
- Aku vale kasutamise korral võib akuvedelik välja voolata - vältige sellega kokupuudet. Akuvedeliku nahale sattumisel peske see veega maha. Akuvedeliku silma sattumisel pöörduge arsti poole. Väljapritsvitud akuvedelik võib tekitada nahaärritust või -põletust.

JUHTMETA TERRASIPUHAСТИ OHUTUSJUHISED

- Ärge lubage lapsi ega piiratud füüsiliste, sensoorsete ja vaimsete võimete inimesi ega kogemuste ja teadmisteta ning käesolevate juhistega mittetutvunud inimesi seadet kasutada.
- Kasutage toodet päevavalguse või hea tehisolguse korral.
- Seiske alati kindlalt, säilitage tasakaal ja olge kallakutel eriti ettevaatlik.
- Ärge liikuge seadme kasutamisel selg ees.
- Töötamisel kõndige, ärge kunagi jookske.
- Hoidke peatarvik vöökohast allpool.
- Ärge kunagi kasutage toodet kui kaitse on vigastatud või ei ole oma kohale paigaldatud.
- Hoidke alati käed ja jalad puhastusvahenditest eemal, eelkõige mootori käivitamisel.
- Ärge kunagi kasutage toodet kui kaitse on vigastatud või ei ole oma kohale paigaldatud.
- Lülitage välja ja eemaldage aku. Veenduge, et kõik

masina liikuvad osad on täielikult seiskunud:

- enne hooldust
- enne toote juurest lahkumist
- enne takistuse kõrvaldamist
- enne kontrollimist, puhastamist või teenindamist,
- enne tarvikute vahetamist
- pärast võõrkehaga kokkupuutumist
- alati hooldustööde teostamisel
- kui muruniiduk hakkab ebanormaalselt vibreerima
- Kandke selle seadme kasutamisel kaitseprille ja kõrvaklappe. Töötamisel kohtades, kus on allakukkivate esemete oht, tuleb kanda kiivrit.
- Kuulmiskaitse võib takistada kasutajal kuulda hoiatussignaale. Pöörake tähelepanu tööpiirkonnas ja selle ümbruses olevatele ohtudele.
- Kinnitage pikad juuksed õlgadest kõrgemale, et vältida nende takerdumist liikuvate osade vahele.
- Veenduge, et ventilatsioonivad on kogu aeg prahist puhtad.
- Enne töötamise alustamist kontrollige, et seadme osad ei ole vigastatud. Vigastatud lüliti ja vigastatud osad tuleb lasta pädeval hooldajal parandada või asendada.
- Ärge muutke masina konstruktsiooni mingil moel, sellega suurendate iseenda ja kõrvalseisjate kehavigastuste ohtu.
- Lülitage otsekohe välja ja eemaldage aku õnnetuse või rikke korral. Ärge kasutage tööriista enne, kui see on volitatud parandustöökojas põhjalikult kontrollitud.
- Proovige toodet puhastataval materjalil alati enne töö alustamist.

AKU LISA OHUTUSJUHISED

⚠ HOIATUS

Lühisest põhjustatud tuleohtu, vigastuste või toote kahjustuste vältimiseks ärge kastke tööriista, vahetusakut ega laadimiseadet vedelikku ning jälgige, et vedelikke ei tungiks seadmesse ega akusse. Korrodeeruvad või elektrilid juhtivad vedelikud, nagu soolvesi, teatud kemikaalid ja pleegitusained või pleegitusaineid sisaldavad tooted, võivad põhjustada lühist.

TRANSPORTIMINE JA HOIUSTAMINE

- Enne hoiule panekut või teisaldamist seisake mootor, võtke aku välja ja laske jahtuda.
- Puhastage seade kõikidest võõrkehadest.
- Ärge hoiustage ega transportige toodet koos akuga; eemaldage aku ja hoidke turvaliselt eraldi. Hoidke kuivas ja hästi ventileeritud kohas, mis on lastele juurdepääsmatu. Hoidke kettisaagi eemal söövivatest ainetest nagu aiakemikaalid ja jäätõrjevahendid. Ärge hoiustage õues.
- Hoidke seadet lastele kättesaamatus kohas.
- Vedamise ajal tõkestage kultivaator liikuma hakkamise ja alla kukkumise vastu, et vältida kehavigastusi ja



masinaosade kahjustamist.

LIITUMAKUDE TEISLDAAMINE

Akude transportimisel juhinduge kasutuskohas kehtivatest riiklikest määrustest ja eeskirjadest. Akude transportimisel allettevõtjate poolt järgige kõiki pakkimise ja tähistamise erinõudeid.

Veenduge, et akud ei satu kokkupuutese teiste akude ega voolu juhtivate materjalidega, kui avatud klemmid on transportimise ajal kaitsitud voolu mittejuhtivate isoleerkorkide või teibiga. Ärge transportige pragunenud või lekkivaid akusid. Küsige lisateavet transportetevõtelt.

HOOLDUS

⚠ HOIATUS

Kasutage ainult tootja originaalvaruosi, tarvikuid ja tööorganeid. Selle nõude eiramine võib põhjustada, kehavigastuse, tootluse languse ja teile antud garantii tühistamise.

⚠ HOIATUS

Hooldamine nõuab ülimalt korrashoidu ja teadmisi ning tuleks teostada ainult kvalifitseeritud hooldustehnikute poolt. Toodet tohib parandada vaid volitatud teeninduses. Muruniiduki hooldamisel kasutage ainult tootja originaalvaruosi.

- Lülitage välja ja eemaldage aku enne mistahes hooldus- või puhastustöid.
- Lubatud on teha ainult selles kasutusjuhendis kirjeldatud reguleerimis- ja parandustoiminguid. Muude remonditööde tegemiseks võtke ühendust volitatud hooldajaga.
- Kontrollige kõiki mutreid, polte ja kruvisid sagedaste intervallidega õige pinguloleku suhtes, et veenduda toote ohutus töökorras olemises. Vigastatud osad tuleb lasta pädeval hooldajal parandada või asendada.
- Pöörduge vigastatud ja loetamatute kleebiste asendamiseks volitatud hoolduskeskuse poole.

JÄÄKRISKID

Isegi siis, kui kultivaatorit kasutatakse kirjeldatud viisil, ei ole võimalik kõrvaldada kõiki jääkriskide mõjureid. Töötamise ajal võivad tekkida järgmised ohud, millele operaator peab pöörama erilist tähelepanu.

- Vibratsioonist põhjustatud kehavigastus
 - Hoidke kultivaatorit kinni selleks ette nähtud käepidemetest ja piirake tööaega ning vibratsiooniga kokkupuudet.
- Mürast põhjustatud vigastus
 - Kandke kuulmiskaitsevahendeid ja piirake müraga kokkupuudet
- Lenduva prügi poolt põhjustatud vigastused.
 - Kandke alati silmakaitsevahendeid.

RISKI ALANDAMINE

Teadaolevalt võib käsitööriistade kasutamine põhjustada mõnedel inimestel seisundit, mida nimetatakse Raynaud' sündroomiks. Sümptomidena võib ilmned a sõrmede tuimus ja valkjaks muutumine, mis tavaliselt ilmneb külmas töötamisel. Nende sümptomite puhul tuleb hoiduda külmast ja niiskusest, diiedist ning suitsetamisest ja kasutada õigeid töövõtteid. Vibratsiooni mõju vähendamiseks tuleb rakendada järgmisi abinõusid.

- Külma ilmaga hoidke oma keha soe. Kandke kindaid, et hoida oma käed ja randmed soojad. Uuringud näitavad, et Raynaud's Syndrome ilmneb põhiliselt külma ilmaga.
- Pärast külmas töötamist tehke harjutusi, et verevarustust kiirendada.
- Tehke regulaarselt töovaheaegasid. Piirake tööperioodi pikkust.

Kui ilmnevad haigustunnused, lõpetage kohe töö ja pöörduge arsti poole.

⚠ HOIATUS

Seadme pikaajalisel kasutamisel võite saada kehavigastusi ja varasemad vigastused võivad süveneda. Seadme kasutamisel pika aja jooksul tuleb teha korralisi vaheaegasid.

ÕPPIGE OMA TOODET TUNDMA

Vt leht 138.

Seadme osad

1. Lahtilukustuse nupp
2. Päästik
3. Traathari
4. Ratas
5. Harjarulli tarvik
6. Harjarull
7. Laadaja
8. Aku sulgur
9. Aku
10. Tarviku vahetamise nupp
11. Teleskoopkäepide
12. Nupp
13. Käepide

MASINAL OLEVAD SÜMBOLID



Enne seadmega töö alustamist lugege kõik juhised hoolikalt läbi ja pidage kinni hoiatustest ja ohutusega seotud juhustest.



Kandke silmakaitsevahendeid



Kandke kuulmiskaitsevahendeid



Kandke kaitsekindaid



Kandke selle toote kasutamisel alati libisemiskindlaid turvajalatsid.



Ärge jätke vihma kätte või kasutage niiskes kohas.



Hoiduge ülespaisatud ja lendavate esemete eest. Hoidke kõik kõrvalseisjad, eriti lapsed ja lemmikloomad tööalalt vähemalt 15 meetri kaugusele.



Hoidke käed eemal



Mittekasutatavaid elektritooteid ei tohi visata olmejäätmete hulka. Vaid tuleb viia vastavasse kogumispunkti. Vajadusel küsige sellekohast nõu oma edasimüüjalt või vastavalt kohaliku omavalitsuse institutsioonilt.



Vastab kõigile eeskirjadele EL-i liikmesriigis, kus toode on ostenud.

Euraasia vastavusmärk



Ukraina vastavusmärgis

EN

FR

DE

ES

IT

NL

PT

DA

SV

FI

NO

RU

PL

CS

HU

RO

LV

LT

ET

HR

SL

SK

BG

UK

TR

Järgnevad märksõnad ja selgitused on mõeldud selle toote kasutamisega seotud riskitasemete kirjeldamiseks.



OHT.

Viitab kohe tekkivale ohtlikule situatsioonile, mis, kui ei väldita, lõpeb surma või tõsise vigastusega.



HOIATUS

Viitab võimalikule ohtlikule situatsioonile, mis, kui ei väldita, võib lõppeda surma või tõsise vigastusega.



ETTEVAATUST

Viitab võimalikule ohtlikule situatsioonile, mis, kui ei väldita, võib lõppeda väiksemate või keskmiste vigastusega.

ETTEVAATUST

(Ilma ohutussümbolita) Viitab olukorrale, mis võib põhjustada kahjustusi varale.

KASUTUSJUHENDI SÜMBOLID



Eraldi ostetavad osad või tarvikud



Märkus



Hoiatus



Vodeću ulogu u dizajnu vašeg akumulatorskog čistača terase imaju sigurnost, performanse i pouzdanost.

NAMJENA

Čistač terase smiju koristiti samo odrasle osobe koje su pročitale i razumjele upute i upozorenja u ovom priručniku i koje se mogu smatrati odgovornima za svoje postupke.

Ovaj uređaj namijenjen je samo za korištenje na otvorenom u dobro prozračenom prostoru. Proizvod se koristi za čišćenje čistih ravnih površina, spojeva, prostora između vanjskih površina, uključujući kamene ploče, keramičke pločice, kamen za opločavanje i drvene površine. Proizvod nije prikladan za korištenje na okomitim površinama kao što su zidovi kuća i radove na visini iznad glave, kao što je čišćenje stropova.

Nemojte koristiti oštricu u nikakvu drugu svrhu.

OPĆA SIGURNOSNA PRAVILA ZA KORIŠTENJE AKU ALATA

⚠ UPOZORENJE

Pažljivo pročitajte sva upozorenja, upute i specifikacije priložene uz alat i pogledajte crteže. U slučaju nepoštivanja uputa u priručniku može doći do električnog udara i/ili ozbiljnih tjelesnih ozljeda.

Sačuvajte ova upozorenja i upute kako biste ih naknadno mogli konzultirati.

Pojam «električni alat» koji se upotrebljava u sigurnosnim uputama označava električne alate sa žicom, kao i bežične električne alate.

SIGURNOST RADNOG PROSTORA

- Neka vaša radna površina bude čista i dobro osvijetljena. Zatrpani i neosvijetljeni radni prostori izazivaju nezgode.
- Električne alate nemojte upotrebljavati u eksplozivnoj okolini, primjerice u blizini zapaljivih tekućina, plina ili prašine. Iskre koje izlaze iz električnih alata mogu ih zapaliti ili izazvati eksploziju.
- Djecu, posjetitelje i domaće životinje držite dalje od mjesta na kojem upotrebljavate električni alat. Mogli bi vas omesti te biste zbog toga mogli izgubiti nadzor nad alatom.

ELEKTRIČNA SIGURNOST

- Utikač električnog alata uvijek mora biti prilagođen utičnici. Nikada ne mijenjajte utikač. Nikada nemojte upotrebljavati prilagodnik s električnim alatom s uzemljenjem. Tako ćete izbjeći opasnost od strujnog udara.
- Izbjegavajte svaki kontakt s uzemljenim površinama poput cijevi, radijatora, kuhala, hladnjaka itd. Opasnost od strujnog udara povećava se ako je dio vašeg tijela u dodiru s uzemljenim površinama.
- Električni alat nemojte izlagati kiši ili vlazi. Opasnost od strujnog udara povećava se ako u električni alat uđe voda.
- Pazite da kabel za napajanje bude u dobrom stanju. Alat nikad nemojte držati za kabel za napajanje,

a kabel nemojte vući ni prilikom isključivanja iz struje. Kabel za napajanje držite dalje od izvora topline, ulja, oštih predmeta i pokretnih dijelova. Opasnost od strujnog udara povećava se ako je kabel oštećen ili zapetljan.

- Ako radite na otvorenom, upotrebljavajte samo produžne kabele koji su namijenjeni uporabi na otvorenom. Tako ćete izbjeći opasnost od strujnog udara.
- Ako alat morate rabiti u vlažnoj okolini, uređaj priključite na električnu utičnicu zaštićenu uređajem za rezidualnu struju. Uporaba uređaja za rezidualnu struju smanjuje opasnost od strujnog udara.

OSOBNJA SIGURNOST

- Budite koncentrirani, dobro gledajte što radite i oslonite se na zdravi razum dok upotrebljavate električni alat. Ne koristite se električnim alatom ako ste umorni, pod utjecajem alkohola ili droga ili ako uzimate lijekove. Uvijek imajte na umu da je dovoljna samo jedna sekunda nepažnje kako biste se teško ozlijedili.
- Rabite zaštitnu opremu. Uvijek zaštitite oči. Ovisno o uvjetima, a kako biste izbjegli teške tjelesne ozljede, nosite i masku protiv prašine, protuklizne cipele, kacigu ili štitnike za uši.
- Izbjegavajte svako nenamjerno pokretanje alata. Uvjerite se da je prekidač u položaju «isključeno» prije uključivanja alata u struju ili umetanja baterije, kao i kad uzimate ili prenosite alat. Kako biste izbjegli opasnost od nezgoda, alat nemojte prenositi dok vam je prst na prekidaču i nemojte ga uključivati u struju dok je prekidač u položaju «uključeno».
- Uklonite ključeve za stezanje prije uključivanja vašeg alata u struju. Ključ za stezanje koji je ostao pričvršćen za pokretni dio alata može prouzročiti teške tjelesne ozljede.
- Uvijek držite dobru ravnotežu tijela. Stabilno stojte na nogama i nemojte stajati predaleko od alata. Stabilan položaj pri radu omogućava bolju kontrolu nad alatom u slučaju nepredviđenog događaja.
- Nosite odgovarajuću odjeću. Nemojte nositi široku odjeću i nakit. Kosu i odjeću držite podalje od pokretnih dijelova. Široka odjeća, nakit i duga kosa mogu se zaplesti u pokretne dijelove alata.
- Ako se vaš alat isporučuje sa sustavom usisavanja prašine, provjerite je li on pravilno postavljen i koristi li se kako treba. Tako ćete izbjeći opasnost od nezgoda.
- Nemojte dozvoliti da zbog sigurnosti stečene čestim korištenjem alata zaboravite na sigurnosne principe. Neopreznost može prouzročiti teške ozljede u tren oka.

UPORABA I ODRŽAVANJE ELEKTRIČNIH ALATA

- Ne primjenjujte silu. Upotrebljavajte alat koji je prilagođen onome što želite raditi. Vaš električni alat bit će učinkovitiji i njegova uporaba sigurnija ako ga budete upotrebljavali za ono čemu je namijenjen.
- Ne upotrebljavajte električni alat ako prekidač ne omogućava da ga uključite i isključite. Alat koji se ne može ispravno uključiti i isključiti opasan je i potrebno ga je popraviti.





- Prije izvođenja bilo kakvih podešavanja, izmjene priključaka ili pohrane svog električnog alata, isključite utikač iz izvora napajanja i/ili izvadite komplet baterija, ako se mogu izvaditi. Tako ćete smanjiti opasnost od slučajnog uključivanja alata.
- Odlazite svoj alat izvan doseg djece. Osobe koje ne poznaju alat ili nisu pročitale ove upute ne smiju ga upotrebljavati. Električni alat postaje opasan u rukama neiskusnih korisnika.
- Održavajte električne alate i priključke. Provjeravajte da nema slomljenih dijelova. Provjerite kako su dijelovi postavljeni te sve drugo što bi moglo utjecati na ispravan rad alata. Ako su neki dijelovi oštećeni, popravite ih prije ponovne uporabe alata. Mnogobrojne nezgode događaju se zbog lošeg održavanja alata.
- Alat držite čistim i naoštrenim. Dobro naoštren i čist alat za rezanje rjeđe će se blokirati i moći ćete ga bolje kontrolirati.
- Električni alat, dodatke i nastavke itd. koristite u skladu s ovdje navedenim uputama za upotrebu, imajući na umu uvjete upotrebe kao i željenu namjenu. Kako biste izbjegli opasne situacije, električni alat upotrebljavajte samo za poslove za koje je namijenjen.
- Ručke i površine za hvatanje alata moraju biti čiste i odmašćene. Sklizave ručke i površine za hvatanje i držanje alata onemogućavaju sigurno rukovanje i kontrolu nad alatom u neočekivanim situacijama.

POSEBNE SIGURNOSNE UPUTE ZA BEŽIČNI ALAT

- Bateriju vašeg alata ponovno puniti samo pomoću punjača koji je preporučio proizvođač. Punjač prilagođen određenom tipu baterije može izazvati požar ako se koristi s nekim drugim tipom baterije.
- Za bežični alat treba upotrebljavati samo jednu određenu vrstu baterije. Uporaba svih drugih baterija može izazvati požar.
- Ako ne koristite bateriju, držite je dalje od metalnih predmeta poput spajalica, kovanica, ključeva, vijaka, čavala i drugih predmeta koji bi mogli izazvati kontakt. Kratki spoj među kontaktima baterije može izazvati opekline ili požar.
- Izbjegavajte svaki dodir s tekućinom baterije u slučaju njenog curenja koje je nastalo zbog neispravne uporabe baterije. Ako dođe do kontakta, obilno isperite taj dio tijela čistom vodom. Ako je došlo do kontakta s očima, obratite se liječniku. Tekućina iz baterije može prouzročiti nadraženost i opekline.
- Nemojte koristiti komplet baterija ili alat koji je oštećen ili modificiran. Oštećene ili modificirane baterije mogu imati neočekivane reakcije, što može uzrokovati požar, eksploziju ili rizik od ozljede.
- Komplet baterija nemojte izlagati vatri ili previsokoj temperaturi. Izlaganje vatri ili temperaturama višim od 130°C može uzrokovati eksploziju.
- Slijedite sve upute za punjenje i nemojte puniti komplet baterija ili alat izvan temperaturnog raspona navedenog u uputama. Nepravilno punjenje ili punjenje pri temperaturama izvan specificiranog raspona može oštetiti bateriju i povećati rizik od požara.

ODRŽAVANJE

- Popravke treba obaviti ovlašteni serviser samo s originalnim rezervnim dijelovima. Tako ćete moći sigurno upotrebljavati vaš električni alat.
- Nikada nemojte servisirati oštećeni komplet baterija. Servisiranje kompleta baterija smije provoditi isključivo proizvođač ili ovlašteni serviser.

OPĆA SIGURNOSNA PRAVILA

⚠ UPOZORENJE

Pročitajte i pregledajte sve sigurnosne upute, slike i specifikacije isporučene uz ovaj proizvod. Nepridržavanje upozorenja i uputa može izazvati strujni udar, požar i/ili ozbiljne ozljede.

⚠ UPOZORENJE

Prilikom korištenja proizvoda moraju se slijediti sigurnosna pravila. Radi vaše i sigurnosti ostalih promatrača, molimo vas da prije rada s proizvodom pročitate ove upute. Molimo vas da čuvate ovu uputu radi kasnijeg korištenja.

⚠ UPOZORENJE

Ovaj proizvod nije namijenjen za korištenje od strane djece ili osoba sa smanjenim fizičkim, psihičkim ili mentalnim mogućnostima. Djecu je potrebno odgovarajuće nadzirati kako bi se osiguralo da se ne igraju s proizvodom.

⚠ UPOZORENJE

Neke regije imaju pravila koja ograničavaju korištenje proizvoda. Provjerite kod lokalnih tijela za savjet.

OBUKA

- Pažljivo pročitatte upute. Upoznajte se sa svim upravljačkim elementima i pravilnim korištenjem proizvoda.
- Nikada nemojte dopustiti korištenje proizvoda djeci ili osobama koje nisu upoznate s uputama. Moguće je da lokalni propisi propisuju starosnu dob rukovatelja.
- Držite promatrače, djecu i kućne ljubimce 15 m dalje od područja rada. Zaustavite proizvod ako bilo tko uđe u područje rada.
- Nemojte raditi s proizvodom kad ste umorni, bolesni ili pod utjecajem alkohola, droga ili lijekova.
- Imajte na umu da je rukovatelj ili korisnik odgovoran za nezgode ili opasnosti koje nastanu drugim osobama ili njihovoj imovini.

PRIPREMA

- Kada radite s ovim proizvodom nosite zaštitu za oči i sluh. Ako radite u području gdje postoji opasnost od padajućih predmeta, morate nositi zaštitu za glavu.
- Zaštita za sluh može ograničiti sposobnost operatera da





čuje zvukove upozorenja. Obratite posebnu pozornost na moguće opasnosti u okolini i unutar radnog područja.

- Nosite hlače s dugim nogavicama, čizme i rukavice. Nemojte nositi široku odjeću, kratke hlače, nakit bilo kakve vrste ili hodati bosonogi.
- Osigurajte dugu kosu na način da je iznad razine ramena kako biste spriječili zahvaćanje u pokretne dijelove.
- Prije korištenja i nakon svakog udara provjerite da nema oštećenih dijelova. Prekidač u kvaru ili bilo koji dio da je oštećen ili istrošen trebali biste pravilno popraviti ili zamijeniti od strane ovlaštenog servisnog centra.
- Uvjerite se da je nastavak za čišćenje pravilno instaliran i čvrsto zategnut.
- Nikada ne radite s proizvodom ako svi štitnici, deflektori i ručke nisu pravilno i čvrsto priključeni.
- Razmotrite okoliš u kome radite. Radno područje držite čistim od žica, štapova, kamenja i ostataka koji ako se zaglave mogu postati leteći predmeti.

KORIŠTENJE I BRIGA O AKU ALATU

- Punite samo s punjačem navedenim od proizvođača. Punjač koji je prikladan za jednu vrstu baterija može dovesti do opasnosti od požara kada se koristi s drugom baterijom.
- Koristite AKU alate samo s posebno naznačenim baterijama. Korištenje bilo kojih drugih baterija dovodi do opasnosti od ozljeda i požara.
- Kada se baterija ne koristi držite je dalje od drugih metalnih predmeta kao što su spajalice za papir, kovanice, ključevi, čavli, vijci ili drugi mali metalni predmeti koji mogu spojiti jedan pol na drugi. Kratki spoj polova baterije može izazvati opekotine ili požar.
- Pod uvjetima loma može doći do izbacivanja tekućine iz baterije, izbjegavajte kontakt. Ako dođe do nehotičnog kontakta, isperite to mjesto s vodom. Ako tekućina dospije u oči, dodatno potražite liječničku pomoć. Tekućina koja istječe iz baterije može dovesti do iritacije ili opekotina.

SIGURNOSNA UPOZORENJA AKUMULATORSKOG ČISTAČA TERASE

- Nikada ne dopustite djeci, osobe smanjenih tjelesnih, osjetilnih ili mentalnih mogućnosti ili osoba koje ne raspoložu iskustvom ili osobama koj nisu upoznate s ovim uputama da koriste proizvod.
- Koristite proizvod po dnevnom svjetlu ili pri dobroj vještačkoj rasvjeti.
- Pravilan položaj nogu i ravnotežu održavajte u svakom trenutku i budite sigurni u položaj nogu na nagibima.
- Kada koristite proizvod ne hodajte unatrag.
- Hodajte, nemojte trčati.
- Nastavak glave držite ispod visine struka.
- Nikada nemojte raditi s proizvodom s oštećenim štitnicima ili bez postavljenih štitnika.
- Ruke i noge u svakom trenutku držite podalje od sredstava za čišćenje, osobito prilikom uključivanja motora.

- Nikada nemojte raditi s proizvodom s oštećenim štitnicima ili bez postavljenih štitnika.
- Isključite uređaj i izvadite baterijski sklop. Provjerite da su svi pokretni dijelovi zaustavljeni:
 - prije servisiranja
 - prije ostavljanja proizvoda bez nadzora
 - prije uklanjanja blokade
 - prije provjere, čišćenja ili rada na uređaju
 - prije promjene pribora
 - nakon udaranja u strano tijelo
 - prilikom svakog održavanja
 - ako uređaj počne abnormalno vibrirati
- Kada radite s ovim proizvodom nosite zaštitu za oči i sluh. Ako radite u području gdje postoji opasnost od padajućih predmeta, morate nositi zaštitu za glavu.
- Zaštita za sluh može ograničiti sposobnost operatera da čuje zvukove upozorenja. Obratite posebnu pozornost na moguće opasnosti u okolini i unutar radnog područja.
- Osigurajte dugu kosu na način da je iznad razine ramena kako biste spriječili zahvaćanje u pokretne dijelove.
- Osigurajte da su ventilacijski otvori uvijek čisti od krhotina.
- Prije korištenja i nakon svakog udara provjerite da nema oštećenih dijelova. Prekidač u kvaru ili bilo koji dio da je oštećen trebali bi pravilno popraviti ili zamijeniti od strane ovlaštenog servisnog centra.
- Ne modificirajte uređaj na bilo koji način, ovo može povećati opasnost od ozljede za vas i druge.
- Odmah ga isključite i izvadite baterijski sklop u slučaju nesreće ili kvara. Proizvodom nemojte ponovno rukovati sve dok ga potpuno ne provjeri ovlašteni servisni centar.
- Uvijek isprobajte proizvod na materijalu koji se čisti prije nego što počnete raditi punom snagom.

DODATNA SIGURNOSNA UPOZORENJA ZA BATERIJU

UPOZORENJE

Zbog izbjegavanja opasnosti od požara jednim kratkim spojem, opasnosti od ozljeda ili oštećenja proizvoda, alat, izmjenjivi akumulator ili napravu za punjenje ne uronjavati u tekućine i pobirnite se za to, da u uređaje ili akumulator ne prodiru nikakve tekućine. Korozirajuće ili vodljive tekućine kao slana voda, određene kemikalije i sredstva za bijeljenje ili proizvodi koji sadrže sredstva bijeljenja, mogu prouzročiti kratak spoj.

PRIJEVOZ I SKLADIŠTENJE

- Zaustavite uređaj, uklonite bateriju i omogućite da se ohladi prije spremanja ili transporta.
- Očistite svaki strani materijal s uređaja.
- Proizvod nemojte skladištiti ili prevoziti s ugrađenim baterijama, uklonite ih i zasebno učvrstite. Skladištite ga na suhom i dobro ventiliranom mjestu koje nije



pristupačno djeci. Nemojte ju ostavljati u blizini korozivnih agenasa kao ni vrtnih kemijskih proizvoda i soli za odmrzavanje. Ne ostavljajte na otvorenom.

- Pohranite proizvod izvan dosega djece.
- Za prijevoz, osigurajte uređaj protiv pomicanja ili pada kako biste spriječili povrede osoba ili oštećenja na uređaju.

TRANSPORTIRANJE LITIJUMSKIH BATERIJA

Transportirajte bateriju u skladu s lokalnim i nacionalnim pravima i zakonima. Slijedite sve specijalne zahtjeve na pakiranju i naljepnicama prilikom transporta baterije od treće strane.

Osigurajte da baterija ne može doći u kontakt s drugim baterijama ili provodnim materijalima tijekom transporta tako da zaštitite izložene priključke s izolacijom, kapicama koje ne provode energiju ili trakom. Nemojte transportirati baterije koje su polomljene ili cure. Provjerite kod kompanije koji transportirate za daljnju pomoć.

ODRŽAVANJE

⚠ UPOZORENJE

Koristite samo originalne zamjenske dijelove, dodatni pribor i priključke od proizvođača. Nepoštivanje ovih uputa može dovesti do mogućih ozljeda, loše učinkovitosti i može dovesti do poništenja jamstva.

⚠ UPOZORENJE

Servisiranje iziskuje krajnju pažnju i znanje i treba da ga vrši samo kvalificirani serviser. Neka se proizvod servisira samo u ovlaštenom servisnom centru. Prilikom servisiranja, koristite samo originalne zamjenske dijelove od proizvođača.

- Isključite ga i izvadite baterijski sklop prije obavljanja bilo kakvog održavanja ili čišćenja uređaja.
- Možete izvršiti podešavanja i popravke koji su opisani u ovom priručniku. Za druge popravke, obratite se ovlaštenom servisnom agentu.
- Često provjeravajte sve matice i zavrtnje da li su dobro pritegnuti kako biste bili sigurni da je proizvod u sigurnom radnom stanju. Svaki oštećeni dio trebao bi pravilno popraviti ili zamijeniti ovlašteni servisni centar.
- Za zamjenu oštećenih ili nečitljivih naljepnica vratite proizvod u ovlašteni servisni centar.

OSTALE OPASNOSTI:

Čak i kad je proizvod korišten kao što je prethodno opisano, još uvijek nije moguće potpuno isključiti ostale čimbenike opasnosti. Može doći do sljedećih opasnosti tijekom korištenja i operater mora obratiti posebnu pozornost kako bi izbjegao sljedeće:

- Ozljede uzrokovane vibracijom
 - Držite proizvod za označene ručke i ograničite radno vrijeme i izloženost.
- Ozljede uzrokovane bukom

- Nosite zaštitu za sluh i ograničite izloženost
- Ozljeda prouzročena letećim krhotinama.
 - Cijelo vrijeme nosite sredstva za zaštitu očiju.

SMANJENJE OPASNOSTI

Prijavljeno je da vibracije alata koje se drži u ruci kod određenih pojedinaca mogu doprinijeti stanju pod nazivom Raynaud's Syndrome. Simptomi mogu uključivati trnce, ukočenost i bjelinu prstiju, obično uočljivo po izlaganju hladnoći. Smatra se da nasljedne osobine, izlaganje hladnoći i vlazi, dijeta, pušenje i radni postupci pridonose razvoju ovih simptoma. Postoje mjere koje operater može poduzeti kako bi smanjio moguće učinke vibracije:

- Održavajte svoje tijelo toplim u hladnim vremenskim uvjetima. Kad radite s proizvodom nosite rukavice kako biste ruke i zglobove održavali toplima. Prijavljeno je da je hladnoća glavni čimbenik koji doprinosi Raynaud's Syndrome.
- Nakon svakog perioda rada vježbajte kako biste povećali cirkulaciju krvi.
- Uzimajte česte stanke u radu. Ograničite količinu izlaganja po danu.

Ako osjetite neke od simptoma ovog stanja, odmah prekinite korištenje i obratite se svome liječniku vezano uz ove simptome.

⚠ UPOZORENJE

Povrede mogu biti uzrokovane ili zadobivene produljenim korištenjem alata. Kada koristite bilo koji alat dulje vremena, osigurajte da uzimate povremene stanke.

UPOZNAJTE SVOJ PROIZVOD

Pogledajte stranicu 138.

Dijelovi

1. Okidač za otključavanje
2. Sklopka za pokretanje
3. Žičana četka
4. Kotač
5. Sklop valjčane četke
6. Valjčana četka
7. Punjač
8. Gumb za vađenje i stavljanje baterije
9. Baterija
10. Gumb za promjenu nastavka
11. Teleskopska brava
12. Gumb
13. Ručka

SIMBOLI NA PROIZVODU



Pročitajte i razumite sve upute prije rada s proizvodom, slijedite sva upozorenja i sigurnosne upute.



Nosite sredstva za zaštitu očiju



Nosite zaštitu za sluh



Nosite zaštitne rukavice



Nosite obuću protiv klizanja prilikom korištenja ovog proizvoda.



Ne izlažite kiši ili vlažnim uvjetima.



Čuvajte se odbačenih ili letećih predmeta. Držite sve promatrače naročito djecu i kućne ljubimce, na udaljenosti najmanje 15 m od radnog područja.



Ruke držite podalje



Otpadni električni proizvodi ne treba da se odlažu s otpadom iz domaćinstva. Molimo da reciklirate gdje je to moguće. Potražite savjet od lokalnih vlasti ili prodavca kako reciklirati.



Ovaj alat usklađen je sa svim normama i propisima zemlje Europske unije u kojoj je kupljen.



EurAsian znak konformnosti



Ukrajinska oznaka za sukladnost

001

SIMBOLI U OVOM PRIRUČNIKU



Dijelovi ili pribor prodan odvojeno



Napomena



Upozorenje

Sljedeće signalne riječi i značenja namijenjeni su objašnjenju razina opasnosti koje su vezane uz ovaj proizvod:

 OPASNOST

Ukazuje na neposrednu opasnu situaciju, koja, ukoliko se ne izbjegne, može rezultirati smrću ili opasnim povredama

 UPOZORENJE

Ukazuje na moguću opasnu situaciju, koja, ukoliko se ne izbjegne, može rezultirati smrću ili opasnim povredama

 UPOZORENJE

Ukazuje na moguću opasnu situaciju, koja, ukoliko se ne izbjegne, može rezultirati manjim ili blažim povredama

UPOZORENJE

(Bez simbola upozorenja sigurnosti)
Označava situaciju koja može izazvati oštećenje imovine

Brezžični čistilec dvorišč je zasnovan za zagotavljanje najvišje ravni varnosti, učinkovitosti in zanesljivosti delovanja.

NAMEN UPORABE

Čistilec dvorišč lahko uporabljajo samo odrasli, ki so prebrali in razumejo navodila ter opozorila v tem priročniku in lahko odgovarjajo za svoja dejanja.

Izdelek je namenjen le za uporabo na prostem in v dobro zračenih prostorih. Izdelek se uporablja za čiščenje ravnih površin, spojev in vmesnih površin na prostem, vključno s kamnitimi ploščami, ploščicami, tlakovci in lesenimi površinami. Izdelek ni primeren za uporabo v navpičnem položaju, na primer za stene in strope.

Za druge namene ga ne uporabljajte.

SPLOŠNA VARNOSTNA NAVODILA ZA ELEKTRIČNA ORODJA

⚠ OPOZORILO

Preberite vsa varnostna opozorila, navodila, ilustracije in specifikacije, ki so priložene temu električnemu orodju. Neupoštevanje vseh spodaj navedenih navodil lahko privede do električnega udara, požara in/ali hude poškodbe.

Shranite vsa opozorila in navodila za kasnejšo uporabo.

Izraz «električna naprava» v opozorilih se nanaša na (ožičeno) napravo na omrežno napajanje ali na (brezžično) napravo na akumulatorsko napajanje.

VARNOST DELOVNEGA OBMOČJA

- **Delovno območje naj bo čisto in dobro osvetljeno.** V neurejenih in temnih območjih se rade zgodijo nesreče.
- **Električne naprave ne uporabljajte v eksplozivnem okolju, na primer blizu vnetljivih tekočin, plina ali prahu.** Iskre, ki jih povzročajo električne naprave, lahko zanetijo ogenj ali povzročijo eksplozijo.
- **Med uporabo električne naprave naj vas ne motijo otroci in drugi opazovalci.** Motnje lahko povzročijo izgubo kontrole.

ELEKTRIČNA VARNOST

- **Vtiči električne naprave morajo ustrezati vtičnicam.** Vtičev nikoli ne spreminjajte. Z ozemljeno električno napravo ne uporabljajte adapterjev. Nespremenjeni vtiči in ustrezne vtičnice zmanjšujejo nevarnost električnega udara.
- **Izogibajte se dotika telesa z ozemljenimi površinami, kot so cevi, radiatorji, štedilniki in hladilniki.** Če je vaše telo v stiku z ozemljenimi površinami, je povečana nevarnost električnega udara.
- **Električne naprave ne izpostavljajte dežju in vlagi.** Če pride v električno napravo voda, je povečana nevarnost električnega udara.
- **Pazite, da je napajalni kabel v dobrem stanju.** Napajalnega kabla nikoli ne uporabljajte za prenašanje naprave ali za vlečenje vtiča iz vtičnice. Pazite, da kabel ne pride v stik z vročino, oljem, ostrimi robovi in gibajočimi se deli. Poškodovani

in zavozlani kabli povečujejo nevarnost električnega udara.

- **Če uporabljate električno napravo na prostem, uporabite podaljševalni kabel, primeren za zunanjo uporabo.** Uporaba kabla, primerne za zunanjo uporabo, zmanjšuje nevarnost električnega udara.
- **Če se ne morete izogniti uporabi električne naprave na vlažnem mestu, uporabljajte zaščitno stikalo na diferenčni tok (RCD).** Uporaba RCD stikala zmanjšuje nevarnost električnega udara.

OSEBNA VARNOST

- **Pri delu bodite pozorni, pazite kaj delate in električne naprave uporabljajte razumno. Ne uporabljajte električne naprave, če ste utrujeni, pod vplivom alkohola ali drog ali če jemljete zdravila.** Ne pozabite, da se lahko že trenutek nepozornosti konča z resno telesno poškodbo.
 - **Uporabljajte osebno zaščitno opremo. Vedno nosite zaščito za oči.** Zaščitna oprema, kot so protiprašna maska, čevlji z neдрсеčimi podplati, čelada ali ščitniki sluha, uporabljena v pravih okoliščinah, bo zmanjšala možnosti za telesne poškodbe.
 - **Izogibajte se nenameremu zagonu naprave. Preverite ali je stikalo v položaju za izklop, preden napravo priključite na omrežje in/ali akumulator, preden jo vzamete v roke ali prenašate.** Električne naprave ne prenašajte s prstom na stikalu in ne priključujte je na omrežje z vklopljenim stikalom, saj lahko povzročite nesrečo.
 - **Preden napravo vklopíte, odstraníte ključ za nastavitev.** Če ostane ključ ali orodje za nastavitev pritrjeno na vrtelci se del naprave, lahko pride do telesne poškodbe.
 - **Rok ne stegujete predalec.** V vsakem trenutku poskrbite za varno oporo nog in ravnotežje. To vam omogoča boljši nadzor nad električno napravo ob nepričakovanih dogodkih.
 - **Oblecite se primerno. Ne nosite ohlapnih oblačil ali nakita. Pazite, da lasje in oblačila ne pridejo v stik s premikajočimi se deli.** Gibajoči se deli lahko zgrabijo ohlapna oblačila, nakit ali dolge lase.
 - **Če so naprave opremljene s priključkom za odvajanje in zbiranje prahu, poskrbite, da je ta nameščen in pravilno uporabljen.** Uporaba zbiralnika prahu lahko zmanjša nevarnost v zvezi s prahom.
 - **Pazite, da zaradi pogoste uporabe orodij ne postanete preveč samozavestni in prezrete varnostna načela uporabe orodja.** Brezbržno dejanje lahko v manj kot eni sekundi privede do hudih poškodb.
- ## UPORABA IN NEGA ELEKTRIČNE NAPRAVE
- **Električne naprave ne preobremenjujete.** Za svoj namen uporabite pravo napravo. Vaša naprava bo učinkovitejša in varnejša, če jo boste uporabljali na način, za katerega je bila zasnovana.
 - **Naprave ne uporabljajte, če je s stikalom ne morete vklopiti in izklopiti.** Vsaka električna naprava, ki je ni mogoče kontrolirati s stikalom, je nevarna in mora obvezno v popravilo.
 - **Vtič izključite iz električnega napajanja in/ali iz električnega orodja pred vsakršnimi prilagoditvami, menjavanjem dodatkov ali shranjevanjem**



odstranite baterijski sklop, če je to mogoče. Tako zmanjšate nevarnost nenamernega vklopa električne naprave.

- **Električno napravo, ki je ne potrebujete, shranite izven dosega otrok in ne dovolite, da bi jo uporabljale osebe, ki električne naprave ne poznajo ali ne poznajo teh navodil.** Električne naprave so v rokah neukih oseb nevarne.
- **Električna orodja in dodatke ustrezno vzdržujte. Preverite poravnavo ali zatikanje pomičnih delov. Preverite, da noben del ni poškodovan in vsa stanja, ki bi lahko vplivala na delovanje električne naprave. Če so sestavni deli poškodovani, jih pred uporabo naprave popravite.** Veliko nesreč povzročijo prav slabo vzdrževane električne naprave.
- **Rezila naj bodo vedno ostra in čista.** Pravilno vzdrževana rezila z ostrimi rezalnimi robovi se manj zatikajo in jih je lažje kontrolirati.
- **Električne naprave, dodatni pribor, orodne nastavke ipd. uporabljajte v skladu s temi navodili, pri čemer upoštevajte delovne pogoje in delo, ki ga je treba opraviti.** Uporaba električne naprave za opravila, za katera ni namenjena, je lahko nevarna.
- **Ročice in prijemalne površine naj bodo suhe in čiste, na njih pa naj ne bo olja ter maziva.** Če ročice in prijemalne površine drsijo, ne omogočajo varnega ravnanja in krmiljenja orodja v nepredvidenih okoliščinah.

UPORABA IN NEGA AKUMULATORSKIH NAPRAV

- **Akumulator polnite samo s polnilnikom, ki ga predpisuje proizvajalec.** Polnilnik, ki je primeren za eno vrsto akumulatorja, lahko povzroči požar, če ga uporabljamo za drugo vrsto.
- **Električne naprave uporabljajte samo s točno določenimi akumulatorji.** Uporaba drugačnih akumulatorjev lahko povzroči poškodbe in požar.
- **Ko akumulator ni v uporabi, ga varno shranite, tako da ni v stiku s kovinskimi predmeti, kot so sponke, kovanci, ključji, žebelji, vijaki ali drugi majhni kovinski predmeti, ki bi lahko sklenili oba pola akumulatorja.** Kratek stik obeh polov akumulatorja lahko povzroči opekline ali požar.
- **Ob grobem ravnanju lahko iz akumulatorja izteče tekočina. Izogibajte se vsakemu stiku z njo. Če se to le zgodi, izperite prizadeto območje s čisto vodo. Če pride tekočina v stik z očmi, pojdite po izpiranju k zdravniku.** Tekočina iz akumulatorja lahko povzroči draženje kože ali opekline.
- **Ne uporabljajte poškodovanega ali spremenjenega baterijskega sklopa ali orodja.** Poškodovane ali spremenjene baterije lahko privedejo do nepredvidenega delovanja, to pa posledično do požara, eksplozije ali nevarnosti poškodb.
- **Baterijskega sklopa ali orodja ne izpostavljajte ognju ali visokim temperaturam.** Izpostavljenost ognju ali temperaturam nad 130°C lahko povzroči eksplozijo.
- **Upoštevajte vsa navodila za polnjenje in baterijskega sklopa ali orodja ne polnite zunaj temperaturnega razpona, opredeljenega v navodilih.** Nepravilno polnjenje ali polnjenje pri temperaturah zunaj opredeljenega razpona lahko privede do poškodb

baterije in poveča nevarnost požara.

SERVISIRANJE

- **Popravila električne naprave naj izvaja samo usposobljen serviser z originalnimi nadomestnimi deli.** To bo ohranjalo varno delovanje vaše električne naprave.
- **Nikoli ne servisirajte poškodovanih baterijskih sklopov.** Baterijske sklope naj servisira samo proizvajalec ali pooblaščen serviserji.

SPLOŠNA VARNOSTNA OPOZORILA

⚠ OPOZORILO

Preberite vsa varnostna opozorila, risbe in tehnične podatke, priložene tem izdelkom. Zaradi neupoštevanja opozoril in navodil lahko pride do električnega udara, požara in/ali resnih poškodb.

⚠ OPOZORILO

Med uporabo stroja upoštevajte varnostna navodila. Za svojo varnost in varnost drugih oseb preberite ta navodila pred uporabo izdelka. Shranite navodila za poznejšo uporabo.

⚠ OPOZORILO

Izdelek ni namenjen za uporabo s strani otrok ali oseb z zmanjšanimi fizičnimi, duševnimi ali senzoričnimi zmoglostmi. Otroke nenehno primerno nadzorujte, da se ne bodo igrali z napravo.

⚠ OPOZORILO

Predpisi nekaterih regij omejujejo uporabo tega izdelka. Za nasvet se obrnite na lokalne oblasti.

URJENJE

- Pazljivo preberite navodila. Seznanite se z vsemi krmilnimi elementi in pravilno uporabo izdelka.
- Nikoli ne pustite, da bi izdelek uporabljali otroci ali osebe, ki niso seznanjene s temi navodili za uporabo. Lokalni predpisi se morda nanašajo tudi na minimalno starost upravitelja.
- Prisotni, otroci in živali naj bodo vsaj 15 m oddaljeni od delovnega območja. Ugasnite izdelek, če kdo vstopi v območje.
- Izdelka nikoli ne uporabljajte, če ste utrujeni, bolni ali pod vplivom alkohola, drog ali zdravil.
- Pomnite, da je upravitelj oz. uporabnik odgovoren za nesreče ali nevarnosti, ki se pripetijo ostalim ljudem ali njihovi lastnini.

PRIPRAVA

- Pri uporabi izdelka vedno nosite popolno zaščito za oči in sluh. Pri delu na območju, kjer obstaja tveganje za padajoče predmete, morate nositi zaščito za glavo.





- Upravljavec morda zaradi opreme za zaščito sluha ne bo slišal opozorilnih zvokov. Bodite še posebej pozorni na morebitne nevarnosti okrog delovnega območja in znotraj njega.
- Nosite trdne, dolge hlače, škornje in rokavice. Ne nosite ohlapnih oblačil, kratkih hlač, nobenega nakita in ne uporabljajte bosih.
- Dolge lase si spnite nad rameni in tako preprečite njihovo ujetje v premikajoče se dele.
- Pred uporabo in po vsakem udarcu se pripravite, da ni poškodovanih delov. Okvarjeno stikalo ali drug del, ki je poškodovan ali obrabljen, morate ustrezno popraviti ali zamenjati pri pooblaščenem serviserju.
- Poskrbite, da je čistilni nastavek ustrezno nameščen in dobro pritrjen.
- Izdelka nikoli ne uporabljajte, če vse zaščitne, ščitniki in ročaji niso pravilno in čvrsto nameščeni.
- Pazite na okolje, v katerem delate. Na delovnem območju ne sme biti žic, palic, kamenja ali drugih predmetov, ki bi lahko leteli naokrog, če bi jih zadel rezalnik.

UPORABA IN VZDRŽEVANJE BATERIJSKEGA ORODJA

- Baterijo polnite le s polnilnikom, ki ga določa proizvajalec. Polnilnik, ki ustreza eni vrsti baterij, morda lahko povzroči požar, če z njim polnite drugo vrsto baterij.
- Baterijska orodja uporabljajte samo s predpisano vrsto baterij. Uporaba katerih koli drugih baterij ustvari tveganje poškodb in požara.
- Ko baterije ne uporabljajte, pazite, da bo odmaknjena od kovinskih predmetov, kot so papirne sponke, kovanci, ključi, žebliji, vijaki ali drugih majhni kovinski predmeti, ki bi lahko povzročili povezavo med obema terminaloma. Kratak stik zaradi povezanih terminalov baterije lahko povzroči opekline ali požar.
- Ob zlorabi baterije lahko iz nje steče tekočina. Če se po nesreči dotaknete tekočine, mesto dotika sperite z vodo. Če pride tekočina v stik z očmi, poiščite zdravstveno pomoč. Tekočina, ki izteče iz baterije, lahko povzroči vnetje ali opekline.

VARNOSTNA OPOZORILA ZA BREŽIČNI ČISTILEC DVORIŠČ

- Nikoli ne dovolite otrokom, osebam z zmanjšanimi fizičnimi, senzoričnimi ali mentalnimi zmoglostmi ali osebam s pomanjkanjem izkušenj ali znanja ter osebam, ki niso seznanjene s temi navodili, da uporabljajo izdelek.
- Uporabljajte izdelek pri dnevni svetlobi ali dobri umetni svetlobi.
- Poskrbite, da trdno stojite in vzdržujete ravnotežje ter da trdno stojite tudi na pobočjih.
- Kadar uporabljate ta izdelek, ne hodite vzvratno.
- Vedno hodite, nikoli ne tecite.
- Glava izdelka naj bo vedno pod višino pasu.
- Izdelka nikoli ne uporabljajte, če je varovalo poškodovano ali če ni nameščeno.

- Rok in nog nikoli ne približujte čistilnim sredstvom, predvsem med zagonom motorja.
- Izdelka nikoli ne uporabljajte, če je varovalo poškodovano ali če ni nameščeno.
- Izklopite izdelek in odstranite baterijski vložek. Prepričajte se, da so se vsi premikajoči se deli popolnoma zaustavili:
 - preden opravite servis
 - preden zapustite napravo
 - preden odstranite zamašek
 - pred preverjanjem in čiščenjem izdelka ali delom na njem,
 - preden menjate dodatke
 - zatem ko udarite ob tuj predmet
 - med vzdrževanjem
 - če izdelek začne nenormalno vibrirati
- Pri uporabi izdelka vedno nosite popolno zaščito za oči in sluh. Pri delu na območju, kjer obstaja tveganje za padajoče predmete, morate nositi zaščito za glavo.
- Upravljavec morda zaradi opreme za zaščito sluha ne bo slišal opozorilnih zvokov. Bodite še posebej pozorni na morebitne nevarnosti okrog delovnega območja in znotraj njega.
- Dolge lase si spnite nad rameni in tako preprečite njihovo ujetje v premikajoče se dele.
- Poskrbite, da bodo prezračevalne odprtine vedno proste.
- Pred uporabo in po vsakem udarcu se pripravite, da ni poškodovanih delov. Okvarjeno stikalo ali drug del, ki je poškodovan, morate ustrezno popraviti ali zamenjati pri pooblaščenem serviserju.
- Naprave na noben način ne spreminjajte, saj bi s tem povečali tveganje za poškodbe sebe in tretjih oseb.
- V primeru nesreče ali okvare izdelek takoj izklopite in odstranite baterijski vložek. Kosilnice ne uporabljajte, dokler je v celoti ne pregledajo na pooblaščenem servisu.
- Pred izvedbo dela izdelek vedno preskusite na materialu, ki ga želite očistiti

DODATNA VARNOSTNA OPOZORILA ZA BATERIJO

⚠ OPOZORILO

V izogib, s kratkim stikom povzročene nevarnosti požara, poškodb ali okvar na proizvodu, orodja, izmenljivega akumulatorja ali polnilne naprave ne potaplajte v tekočine in poskrbite, da ne bo prihajalo do vdora tekočin v naprave in akumulatorje. Korozivne ali prevodne tekočine, kot so slana voda, določene kemikalije in belila ali proizvodi, ki le ta vsebujejo, lahko povzročijo kratak stik.

TRANSPORT IN SHRANJEVANJE

- Ustavite napravo, odstranite baterijo in počakajte, da se ohladi, preden ju shranite ali transportirate.



- Očistite vse tuške z izdelka.
- izdelka ne prevažajte in ne shranjujte, če so v njem baterije; te morate prej odstraniti in jih varno shraniti. Shranite jo na suhem in dobro prezračenem mestu, ki ni na dosegu otrok. Hranite proč od jedkih sredstev, kot so kemikalije za vrtnarjenje in soli za odmrzovanje. Ne shranjujte na prostem.
- Izdelek varujte pred dosegom otrok.
- Za transport zavarujte izdelek pred premiki ali padci, da preprečite poškodbe oseb ali izdelka.

PRENAŠANJE LITIJEVIH BATERIJ

Baterije prevažajte v skladu z lokalnimi in državnimi uredbami in predpisi. Upoštevajte vse posebne zahteve glede pakiranja in označevanja, kadar prevoz opravlja tretja oseba.

Zagotovite, da baterije med prevozom ne morejo priti v stik z drugimi baterijami ali prevodnimi materiali tako, da zaščitite izpostavljene konektorje z izolacijo, neprevodnimi pokrovčki ali trakom. Ne prevažajte poškodovanih baterij oz. baterij, ki puščajo. Za nadaljnje informacije se obrnite na posredovalno podjetje.

VZDRŽEVANJE

⚠ OPOZORILO

Uporabljajte le originalne rezervne dele in dodatke, ki jih priporoča proizvajalec. V nasprotnem primeru naprava lahko slabo deluje, povzroči poškodbe, garancija pa ne velja več.

⚠ OPOZORILO

Servisiranje zahteva posebno pozornost in znanje in naj jo zato opravlja samo izurjeni servisni tehnik. Izdelek naj servisirajo izključno v pooblaščenem servisnem centru. Pri servisiranju uporabljajte samo originalne nadomestne dele.

- Pred vzdrževanjem ali čiščenjem izdelka ga izklopite in odstranite baterijski vložek.
- Opravljati smete le nastavitve in popravila, ki so opisana v teh navodilih za uporabo. Za ostala popravila se obrnite na pooblaščenega serviserja.
- Pogosto preverjajte, ali so vse matice in vijaki dobro priti in tako zagotovite varno delovno stanje izdelka. Vsak poškodovani del mora ustrezno popraviti ali zamenjati pooblaščen servisni center.
- Poškodovane ali nečitljive nalepke naj zamenjajo v pooblaščenem servisnem centru.

REZIDUALNA TVEGANJA:

Tudi če izdelek uporabljate tako, kot je predpisano, še vedno ne moremo izključiti določenih preostalih dejavnikov tveganja. Med uporabo se lahko pojavijo naslednje nevarnosti, upravljavec pa naj bo pozoren na naslednje:

- Poškodbe zaradi vibracij
 - Izdelek držite za temu namenjene ročaje ter omejite

čas uporabe in izpostavljenosti.

- Poškodbe, ki jih povzroči hrup
 - Nosite zaščito za sluh in omejite izpostavljenost
- Obstaja nevarnost poškodbe zaradi letečih delcev.
 - Vedno nosite zaščito za oči.

ZMANJŠANJE TVEGANJA

Ugotovljeno je bilo, da lahko pri nekaterih posameznikih vibracije ročnih orodij povzročijo Raynaudov sindrom. Simptomi so lahko mravljinци, otrplost in pobledele prsti, kar je običajno vidno, kadar je oseba izpostavljena mrazu. Dedni dejavniki, izpostavljenost mrazu in vlagi, dieta, kajenje in delovne navade naj bi pripomogle k razvoju teh simptomov. Za zmanjšanje učinkov vibracij lahko upravljavec upošteva naslednja navodila:

- Poskrbite, da bo vaše telo na mrazu toplo. Med upravljanjem nosite rokavice in tako ohranjajte toploto vaših dlani in zapestij. Kot poročajo, je mraz glavni dejavnik, ki prispeva k Raynaudovemu sindromu.
- Po vsakem obdobju upravljanja naprave telovadite in tako pospešite krvni obtok.
- Pogosto si vzemite odmor. Omejite dnevno količino izpostavljenosti.

Če zaznavate kakršne koli simptome takšnega stanja, takoj prenehajte z uporabo naprave in se o simptomih posvetujte z zdravnikom.

⚠ OPOZORILO

Daljša uporaba orodja lahko privede do poškodb ali pa so poškodbe lahko hujše. Kadar orodje uporabljate dalj časa, si večkrat vzemite odmor.

SPOZNAJTE SVOJ IZDELEK

Glejte stran 138

Deli

1. Zaklepna tipka
2. Sprožilec
3. Žičnata krtača
4. Kolo
5. Sestav valjaste krtače
6. Valjasta krtača
7. Polnilec
8. Zápádka batérie
9. Akumulátor
10. Gumb za menjavo nastavka
11. Teleskopski zapah
12. Gumb
13. Ročaj

SIMBOLI NA IZDELKU



Pred uporabo izdelka morate prebrati in razumeti vsa navodila, upoštevati vsa opozorila in varnostne napotke.



Nosite zaščito za oči



Nosite zaščito za ušesa



Nosite zaščitne rokavice



Ko uporabljate izdelek, nosite zaščitno obutev, ki ne drsi.



Ne izpostavljajte ga dežju ali vlagi.



Pazite na izvržene ali leteče predmete. Prisotni (še posebej otroci in živali) naj bodo med obratovanjem oddaljeni vsaj 15 m od delovnega območja.



Ne približujte rok



Odpadne električne izdelke odlagajte skupaj z ostalimi gospodinjskimi odpadki. Reciklažo opravljajte na predpisanih mestih. Za reciklažni nasvet se obrnite na lokalne oblasti.



Ustreza vsem predpisanim standardom v državi članici EU, kjer je bil kupljen izdelek.



EurAsian oznaka o skladnosti



Ukrajinska oznaka za skladnost



Opomba



Opozorilo

EN
FR
DE
ES
IT
NL
PT
DA
SV
FI
NO
RU
PL
CS
HU
RO
LV
LT
ET
HR
SL
SK
BG
UK
TR

Naslednje besedne oznake in njihovi pomeni služijo za razlago stopnje tveganja pri uporabi izdelka.



NEVARNOST

Označuje neizbežno tvegano stanje, ki če se ji ne izognete lahko povzroči smrt ali resno poškodbo.



OPOZORILO

Označuje morebitno tvegano stanje, ki če se ji ne izognete lahko povzroči smrt ali resno poškodbo.



POZOR

Označuje morebitno tvegano stanje, ki če se mu ne izognete lahko povzroči manjšo ali srednje resno poškodbo.

POZOR

(Brez simbola Varnostni alarm)
Označuje stanje, ki lahko privede do poškodovanja lastnine.

SIMBOLI V TEM PRIROČNIKU



Deli ali dodatki so na prodaj ločeno



Bezpečnosť, efektivita a spoľahlivosť boli prvoradé pri navrhovaní vášho čističa terasy.

ÚČEL POUŽITIA

Tento čistič terasy je určený len na používanie osobami, ktoré si prečítali a rozumejú pokynom a výstrahám v tejto príručke, a sú za svoje činnosti zodpovedné.

Tento produkt je určený výhradne na použitie v exteriéri a v dobre vetraných priestoroch. Tento výrobok sa používa na čistenie rovných povrchov, spojov a medziľahých priestorov v exteriéroch vrátane kamenných dosiek, dlažieb, dlažbočných kameňov a drevených povrchov. Výrobok nie je vhodný na vertikálne použitie, ako sú steny domu a povrchy nad zemou, ako sú stropy.

Nepoužívajte na žiadne iné účely.

VŠEOBECNÉ BEZPEČNOSTNÉ VÝSTRAHY PRE ELEKTRICKÝ NÁSTROJ

⚠ VAROVANIE

Prečítajte si všetky výstrahy, pokyny, vyobrazenia a špecifikácie dodané k tomuto elektrickému nástroju. Nedodržanie nižšie uvedených pokynov môže mať za následok úraz elektrickým prúdom, vznik požiaru alebo vážne poranenie.

Všetky varovania a inštrukcie uschovajte pre použitie v budúcnosti.

Výraz „elektrický nástroj“ vo varovaniach označuje nástroj napájaný z elektrickej siete (drôtový) alebo nástroj napájaný z batérií (bezdrôtový).

BEZPEČNOSŤ PRACOVNEJ OBLASTI

- Pracovnú oblasť udržiavajte čistú a dobre osvetlenú. Prepchané alebo tmavé miesta zvyšujú pravdepodobnosť nehôd.
- Elektrické nástroje neprevádzkujte vo výbušných atmosférach, v prítomnosti horľavých kvapalín, plynov alebo prachu. Elektrické nástroje produkujú iskry, ktoré môžu vznietiť prach alebo výpary.
- Držte deti a okolostojacích ďalej počas prevádzkovania elektrického nástroja. Rozptýlenie môže spôsobiť stratu kontroly.

ELEKTRICKÁ BEZPEČNOSŤ

- Zásuvky elektrických nástrojov sa musia zhodovať so zásuvkou. Nikdy a žiadnym spôsobom neupravujte zástrčku. Nepoužívajte žiadne zástrčky s adaptérom spolu s uzemnenými elektrickými nástrojmi. Neupravené a zhodné zásuvky znižujú riziko zranenia elektrickým prúdom.
- Vyhýbajte sa kontaktu s uzemnenými povrchmi, ako sú potrubia, radiátory a chladničky. Ak je vaše telo uzemnené, existuje tu zvýšené riziko zranenia elektrickým prúdom.
- Elektrické nástroje nevystavujte dažďu alebo vlhkému prostrediu. Vniknutie vody do elektrického nástroja zvýši riziko zranenia elektrickým prúdom.
- Nepoškodzujte kábel. Nikdy nepoužívajte kábel na prenášanie, ťahanie alebo odpájanie elektrického

nástroja. Kábel držte ďalej od horúcich, zaolejovaných predmetov, predmetov s ostrými hranami alebo pohyblivých častí. Poškodené alebo zamotané káble zvyšujú riziko zranenia elektrickým prúdom.

- Pri prevádzke elektrických nástrojov vonku použite predĺžovací kábel vhodný na použitie vonku. Použitie kábla vhodného na použitie vonku znižuje riziko úrazu elektrickým prúdom.
- Ak sa nedá vyhnúť použitiu elektrického nástroja na vlhkom mieste, použite zariadenie na ochranu napájania pred zvyškovým prúdom (RCD). Použitie RCD znižuje riziko úrazu elektrickým prúdom.

OSOBNÁ BEZPEČNOSŤ

- Budte opatrní, sledujte, čo robíte a používajte zdravý rozum pri prevádzkovaní elektrického nástroja. Elektrický nástroj nepoužívajte, keď ste unavení alebo pod vplyvom drog, alkoholu alebo liekov. Chvíľa nepozornosti počas prevádzkovania elektrických nástrojov môže spôsobiť vážne osobné zranenie.
- Používajte osobné ochranné pomôcky. Vždy majte ochranu očí. Ochranné pomôcky ako sú protiprachová maska, protišmyková pracovná obuv, tvrdá ochrana hlavy alebo ochrana sluchu, ktoré sa používajú vo vhodných podmienkach znižujú riziko osobného zranenia.
- Zabráňte náhodnému spusteniu. Ubezpečte sa, či je spínač v polohe off (vyp) pred pripojením k elektrickému zdroju a/alebo pripojením súpravy batérií, dvíhaním alebo prenášaním nástroja. Prenášanie elektrického nástroja s prstom na spínači alebo spustením elektrického nástroja, ktoré sú zapnuté môže spôsobiť nehodu.
- Pred zapnutím elektrického nástroja vyberte z neho všetky nastavovacie kľúče. Kľúč, ktorý necháte pripevnený k otáčajúcej sa časti elektrického nástroja môže spôsobiť osobné zranenie.
- Nepreháňajte. Vždy udržiajte správnu polohu chodidiel a rovnováhu. Taktó sa umožní lepšia kontrola nad elektrickým nástrojom v nepredvídaných situáciách.
- Vhodne sa oblečte. Nenoste voľné oblečenie alebo šperky. Udržiajte svoje vlasy a oblečenie v dostatočnej vzdialenosti od pohyblivých častí. Voľné oblečenie, šperky alebo dlhé vlasy sa môžu zachytiť do pohybujúcich sa častí.
- Ak sú zariadenia vybavené pripojením na odsávanie prachu a zbernými zariadeniami, zabezpečte, aby boli tieto pripojené a správne použité. Použitie odsávania prachu môže znížiť riziká spojené s prachom.
- Nedovoľte, aby skúsenosti získané častým používaním nástroja viedli k prehnatému sebedovomiu a ignorovaniu bezpečnostných zásad používania nástroja. Neopatrné správanie môže v zlomku sekundy spôsobiť vážne zranenie.

POUŽÍVANIE ELEKTRICKÉHO NÁSTROJA A STAROSTLIVOSŤ OŇ

- Nepresilujte elektrický nástroj. Používajte správny výkon na jeho aplikáciu. Správny elektrický nástroj spraví prácu lepšie a bezpečnejšie pri hodnotách, na





ktoré bol navrhnutý.

- **Elektrický nástroj nepoužívajte, ak sa nedá pomocou spínača zapnúť a vypnúť.** Akýkoľvek elektrický nástroj, ktorý nie je možné ovládať pomocou spínača je nebezpečný a musí sa dať opraviť.
- **Pred každým nastavením, výmenou príslušenstva alebo uskladnením elektrického náradia, odpojte zástrčku zo zdroja elektriny alebo vyberte z elektrického náradia sadu batérií, v prípade že je oddeliteľná.** Takéto preventívne bezpečnostné opatrenia znížia riziko náhodného spustenia elektrického nástroja.
- **Nečinné elektrické nástroje skladujte mimo dosahu detí a nedovoľte osobám, ktoré nie sú oboznámené s elektrickým nástrojom alebo týmito inštrukciami, aby elektrický nástroj prevádzkovali.** Elektrické nástroje sú v rukách neškolených osôb nebezpečné.
- **Vykonávajte údržbu elektrického náradia a príslušenstva.** Kontrolujte, či sú pohyblivé časti vyrovnané alebo nie sú ohnuté, či jeho časti nie sú zlomené a všetky iné okolnosti, ktoré môžu zasahovať do prevádzky elektrického nástroja. Ak je elektrický nástroj poškodený, nechajte ho pred použitím opraviť. Mnoho nehôd je spôsobených zlou údržbou elektrických nástrojov.
- **Rezné nástroje udržiavajte ostré a čisté.** Správne udržiavané rezacie nástroje s ostrými reznými hranami sa menej pravdepodobne zalepia a ľahšie sa ovládajú.
- **Elektrický nástroj, príslušenstvo, vrtáky nástroja atď. používajte v súlade s týmito inštrukciami, berte do úvahy pracovné podmienky a prácu, ktorá sa bude vykonávať.** Použitie elektrického nástroja na iné operácie, ako tie, na ktoré je určený môže mať za následok nebezpečnú situáciu.
- **Udržiavajte rukoväte a uchopovacie povrchy suché a čisté a bez oleja a maziva.** Klzké rukoväte a uchopovacie povrchy neumožňujú bezpečnú manipuláciu a ovládanie náradia v neočakávaných situáciách.

POUŽITIE A OŠETROVANIE SÚPRAVY BATÉRIÍ

- **Nabíjajte ich len nabíjačkou špecifikovanou výrobcom.** Nabíjačka, ktorá je vhodná len na jeden typ súpravy batérií môže znamenať riziko požiaru, keď sa používa s inou súpravou batérií.
- **Elektrický nástroj použite len so špecificky určenou súpravou batérií.** Použitie iných súprav batérií môže znamenať riziko zranenia a požiaru.
- **Keď sa súprava batérií nepoužíva, držte ju ďalej od kovových predmetov, ako sú spinky na papier, mince, kľúče, klince, skrutky alebo iné malé kovové predmety, ktoré môžu vytvoriť spojenie z jednej svorky na druhú.** Skratovanie svoriek batérie môže spôsobiť popálenie alebo požiar.
- **Za nepriaznivých podmienok môže vytiecť z batérie kvapalina; vyhybajte sa kontaktu s ňou. Ak sa neje nechtiac dotknete, vypláchnite vodou. Ak sa kvapalina dostane do kontaktu s očami, vyhľadajte lekársku pomoc.** Kvapalina vytečená z batérie môže spôsobiť podráždenie alebo popálenie.
- **Nepoužívajte sadu batérií alebo náradie, ktorý sú poškodené alebo upravené.** Pri použití poškodených alebo použitých batérií môže dôjsť k nepredvídateľným

reakciám, ktoré môžu spôsobiť oheň, výbuch alebo nebezpečenstvo úrazu.

- **Nevystavujte sadu batérií alebo náradie ohňu alebo nadmerným teplotám.** Vystavenie účinku ohňa alebo teploty vyššej ako 130°C môže spôsobiť výbuch.
- **Dodržujte všetky pokyny pre nabíjanie a nenabíjajte sadu batérií alebo náradie mimo rozsahu teplôt, ktoré sú uvedené v návode na použitie.** Nesprávne nabíjanie alebo nabíjanie pri teplotách mimo uvedený rozsah teplôt môže poškodiť batériu a zvýšiť riziko vzniku požiaru.

SERVIS

- **Nechajte svoj elektrický nástroj opraviť kvalifikovanému servisnému technikovi len s použitím identických náhradných dielov.** Týmto sa zabezpečí, že sa zachová bezpečnosť elektrického nástroja.
- **Nikdy neopravujte poškodené sady batérií.** Opravu sád batérií môže vykonávať iba výrobca alebo autorizovaní poskytovatelia servisných služieb.

VŠEOBECNÉ BEZPEČNOSTNÉ VÝSTRAHY

VAROVANIE

Prečítajte si všetky pokyny s bezpečnostnými výstrahami, obrázky a parametre uvádzané pre tento výrobok. Pri nedodržaní týchto výstrah a pokynov môže dôjsť k úrazu elektrickým prúdom, požiaru a/alebo závažnému poraneniu.

VAROVANIE

Pri používaní tohto produktu sa musia dodržiavať bezpečnostné zásady. Pre vašu vlastnú bezpečnosť a bezpečnosť okolostojacich osôb si pred použitím produktu prečítajte tento návod. Odložte si návod na neskoršie použitie.

VAROVANIE

Produkt nie je určený na použitie deťmi alebo osobami so zníženými fyzickými, duševnými alebo zmyslovými schopnosťami. Deti musia byť pod primeraným dozorom, aby sa nemohli s produktom hrať.

VAROVANIE

Niektoré regióny majú nariadenia, ktoré obmedzujú použitie produktu. Poradte sa s miestnym úradom.

ŠKOLENIE

- **Pozorne si prečítajte pokyny.** Oboznámte sa s ovládacími prvkami a správnu obsluhou produktu.
- **Nikdy nedovoľte používať produkt deťom ani osobám, ktoré nie sú oboznámené s týmto návodom.** Miestne platné predpisy môžu obmedzovať dobu použitia kosačky.
- **Okolostojace osoby, deti a domáce zvieratá, musia stáť**



min. 15 m od pracovného priestoru. Ak nejaká osoba vstúpi do pracovného priestoru, zastavte produkt.

- Nikdy nepoužívajte produkt, keď ste unavení, chorí alebo pod vplyvom, alkoholu, drog alebo liekov.
- Užívateľ alebo obsluha stroja sú zodpovední za nehody alebo škody na majetku a za nebezpečenstvo vzniknuté pri prevádzke stroja.

PRÍPRAVA

- Pri práci s týmto zariadením používajte chrániče zraku a sluchu. Pri práci v priestore, kde existuje riziko pádu predmetov, používajte ochranu hlavy.
- Ochrana sluchu môže obmedziť schopnosť obsluhujúceho počuť výstražné zvuky. Venujte zvýšenú pozornosť potenciálnym rizikám v pracovnom priestore a jeho okolí.
- Noste hrubé a dlhé nohavice, topánky a rukavice. Nenoste voľné pohodlné oblečenie, krátke nohavice, bižutériu žiadneho druhu, ani nepracujte bosí.
- Dlhé vlasy zaistite, aby boli nad úrovňou pliec a nedošlo tak k ich zamotaniu do pohyblivých dielov.
- Pred použitím a po každom náraze skontrolujte, či nie sú nejaké diely poškodené. Chybný spínač či akýkoľvek iný diel, ktorý je poškodený alebo opotrebovaný, je potrebné náležite opraviť alebo vymeniť v autorizovanom servisnom zariadení.
- Uistite sa, či je čistiaci nástavec správne nainštalovaný a bezpečne upevnený.
- Nikdy nepoužívajte produkt, kým nie sú správne a bezpečne nasadené všetky ochranné kryty, odchyľovače a rukoväte.
- Berte ohľad na prostredie, v ktorom pracujete. Z pracoviska odstráňte všetky drôty, paličky, drievka, kamene a sutinu, ktoré by sa mohli pri zásahu nožom vyvrátiť.

POUŽÍVANIE AKUMULÁTORA A STAROSTLIVOSŤ OŇ

- Nabíjajte len s použitím nabíjačky špecifikovanej výrobcom. Nabíjačka, ktorá je vhodná pre jeden typ jednotky akumulátora, môže pri použití s inou jednotkou akumulátora spôsobiť riziko požiaru.
- Používajte len mechanické nástroje so špecificky určenými jednotkami akumulátorov. Pri použití iných jednotiek akumulátora vzniká riziko poranenia a požiaru.
- Keď sa jednotka akumulátora nepoužíva, nedávajte ju do blízkosti iných kovových objektov, ako sú papierové sponky, mince, kľúče, klince, skrutky či iné malé kovové predmety, ktoré by mohli skratovať svorky. Pri skratovaní svoriek akumulátora môže dôjsť k popáleninám alebo požiaru.
- Za nevhodných podmienok, keď by z batérie vytekala kvapalina, predchádzajte kontaktu s ňou. Pri náhodnom kontakte opláchnite vodou. Ak tekutina zasiahne oči, dodatočne vyhľadajte lekársku pomoc. Tekutina vytečená z akumulátora môže spôsobiť podráždenie alebo popáleniny.

BEZPEČNOSTNÉ VÝSTRAHY PRE AKUMULÁTOROVÝ ČISTIČ TERASY

- Nikdy nedovoľte deťom, osobám so zníženými fyzickými, duševnými alebo zmyslovými schopnosťami alebo s nedostatočnými skúsenosťami a znalosťami alebo osobám, ktoré nie sú obznamované s týmto návodom, používať produkt.
- Produkt používajte za denného svetla alebo pri dobrom umelom osvetlení.
- Vždy zachovávajte správny postoj a rovnováhu a na svahoch zaujmite správny postoj.
- Pri používaní produktu nekráčajte dozadu.
- Chodte krokom, nikdy nebežte.
- Príslušenstvo hlavy držte pod úrovňou pásu.
- Nikdy nepoužívajte produkt, ktorý má poškodené kryty alebo keď kryty nie sú nasadené.
- Ruky a nohy majte vždy v bezpečnej vzdialenosti od čistiacich prostriedkov, hlavne pri zapnutí motora.
- Nikdy nepoužívajte produkt, ktorý má poškodené kryty alebo keď kryty nie sú nasadené.
- Vypnite výrobok a vyberte z neho súpravu batérií. Skontrolujte, či sa všetky pohyblivé diely úplne zastavili:
 - pred vykonávaním servisu
 - pred ponechaním výrobku bez dozoru
 - pred odstránením zablokovania
 - pred kontrolou, čistením alebo prácou na zariadení
 - pred výmenou príslušenstva
 - po narazení na cudzí predmet
 - pri každom vykonávaní údržby
 - ak zariadenie začne neštandardne vibrovať
- Pri práci s týmto zariadením používajte chrániče zraku a sluchu. Pri práci v priestore, kde existuje riziko pádu predmetov, používajte ochranu hlavy.
- Ochrana sluchu môže obmedziť schopnosť obsluhujúceho počuť výstražné zvuky. Venujte zvýšenú pozornosť potenciálnym rizikám v pracovnom priestore a jeho okolí.
- Dlhé vlasy zaistite, aby boli nad úrovňou pliec a nedošlo tak k ich zamotaniu do pohyblivých dielov.
- Vždy skontrolujte, či vetracie otvory nie sú upchaté úlomkami.
- Pred použitím a po každom náraze skontrolujte, či nie sú nejaké diely poškodené. Chybný spínač či akýkoľvek iný diel, ktorý je poškodený, je potrebné náležite opraviť alebo vymeniť v autorizovanom servisnom zariadení.
- Zariadenia žiadnym spôsobom neupravujte, inak zvýšite riziko poranenia – vás alebo iných osôb.
- V prípade nehody alebo poškodenia okamžite výrobok vypnite a vyberte z neho súpravu batérií. Nepoužívajte výrobok znovu, pokiaľ nebude úplne skontrolovaný autorizovaným servisným strediskom.
- Pred začatím samotného čistenia vždy výrobok vyskúšajte na čistom materiáli.

DOPLNKOVÉ BEZPEČNOSTNÉ VÝSTRAHY PRE BATÉRIU

VAROVANIE

Aby ste zabránili nebezpečenstvu požiaru spôsobeného skratom, poraneniam alebo poškodeniam výrobku, neponárajte náradie, výmennú batériu alebo nabíjačku do kvapalín a postarajte sa o to, aby do zariadení a akumulátorov nevnikli žiadne tekutiny. Korodujúce alebo vodivé kvapaliny, ako je slaná voda, určité chemikálie a bieliace prostriedky alebo výrobky, ktoré obsahujú bielidlo, môžu spôsobiť skrat.

PREPRAVA A SKLADOVANIE

- Pred uskladnením alebo prepravou zastavte produkt, vyberte akumulátor a nechajte ho vychladnúť.
- Odstráňte zo zariadenia všetky cudzie materiály.
- Neskladujete ani neprepravujete výrobok s vloženými batériami, vyberte ich a zaistíte ich oddelene. Odložte ho na suché a dobre vetrané miesto, na ktoré nemajú prístup deti. Náradie neuskładňujte v blízkosti žieravých látok, ako napríklad v blízkosti záhradníckych chemických prípravkov alebo solí na zimný posyp komunikácií. Neskladujte v exteriéri.
- Zariadenie odkladajte mimo dosahu detí.
- Pri preprave zaistite produkt pred pohybom alebo pádom, aby nedošlo k poraneniu osôb alebo poškodeniu produktu.

PREPRAVA LÍTOVÝCH AKUMULÁTOROV

Akumulátory prepravujte v súlade s miestnymi smernicami a nariadeniami. Keď akumulátory prepravuje tretia strana, dodržiavajte všetky požiadavky na balení a označení.

Zabezpečte, aby počas prepravy akumulátor neprišiel do kontaktu s inými akumulátormi ani vodivými materiálmi – chráňte obnažené konektory pomocou izolácie, nevodivými viečkami alebo páskou. Neprepravujte akumulátory, ktoré sú prasknuté alebo vytekajú. Ďalšie pokyny zistíte u nasledujúcej spoločnosti.

ÚDRŽBA

VAROVANIE

Používajte len originálne náhradné diely, príslušenstvo a nástavce výrobcu. V opačnom prípade môže dôjsť k možnému poraneniu, nedostatočnému výkonu a strate platnosti záruky.

VAROVANIE

Údržba vyžaduje extrémnu starostlivosť a znalosti, a musí byť prevádzkaná výhradne v autorizovanom servise. Servis výrobku zverte len autorizovanému servisnému stredisku. Pri servise používajte len originálne náhradné diely výrobcu.

- Pred vykonávaním údržby alebo čistenia výrobok vypnite a vyberte z neho súpravu batérií.
- Môžete vykonávať úpravy a opravy popísané v tejto príručke. Pri ostatných opravách sa obráťte na autorizovaného servisného zástupcu.
- Skontrolujte všetky skrutky, matice v častých intervaloch či sú riadne utiahnuté, aby sa zaistila bezpečná prevádzka produktu. Akýkoľvek poškodený diel sa musí náležite opraviť alebo vymeniť v autorizovanom servisnom centre.
- Prineste produkt to autorizovaného servisného centra na výmenu poškodených alebo nečitateľných štítkov.

ZVÝŠKOVÉ RIZIKÁ:

Aj keď sa nástroj používa podľa predpisu, nie je možné eliminovať určité zvyškové rizikové faktory. Pri použití vznikajú nasledujúce riziká a obsluhujúca osoba musí venovať zvláštnu pozornosť, aby nedošlo k nasledovnému:

- Zranenie spôsobené vibráciami
 - Produkt držte za rukoväť na to určené a obmedzte pracovný čas a expozíciu.
- Zranenie spôsobené hlukom
 - Používajte ochranu sluchu a obmedzte expozíciu
- Poranenie spôsobené vyletujúcimi úlomkami.
 - Neustále používajte ochranu zraku.

OBMEDZENIE RIZIKA

Boli hlásené prípady, kedy vibrácie z ručných nástrojov u niektorých osôb prispeli k stavu nazývanému Raynaudov syndróm. K symptómom patria: trpnutie, znecitlivenie a blednutie prstov, zvyčajne zjavné po vystavení zime. Je známe, že k vývoju týchto symptómov prispievajú: dedičné faktory, vystavovanie zime a vlhkosti, diéta, fajčenie a pracovné návyky. Opatrenia, ktoré môže vykonať obsluhujúca osoba na možné zníženie účinkov vibrácií:

- V studenom počasí udržiavajte svoje telo v teple. Pri práci s produktom noste rukavice, aby ste mali ruky a zápästia v teple. Boli hlásené prípady, kedy hlavným faktorom prispievajúcim k Raynaudovmu syndrómu bolo studené počasie.
- Po každom určitom časovom úseku prevádzky cvičte, aby ste zlepšili krvný obeh.
- Počas práce si doprajte časté prestávky. Obmedzte počet vystavení za deň.

Ak zistíte ktorýkoľvek zo symptómov tohto stavu, okamžite prerušte používanie zariadenia, navštívte svojho lekára a povedzte mu o symptómoch.

VAROVANIE

Pri dlhodobom alebo zvýšenom používaní môže dôjsť k zraneniam. Pri používaní nástroja príliš dlhé obdobia si vždy doprajte pravidelné prestávky.

EN
FR
DE
ES
IT
NL
PT
DA
SV
FI
NO
RU
PL
CS
HU
RO
LV
LT
ET
HR
SL
SK
BG
UK
TR

OBOZNÁMTE SA S VAŠIM PRODUKTOM

Pozrite stranu 138.

Diely

1. Blokovací spínač
2. Spínač
3. Drôtená kefa
4. Koleso
5. Súprava okrúhlej kefy
6. Okrúhla kefa
7. Nabíjačka
8. Zapah akumulátorja
9. Batéria
10. Tlačidlo na výmenu príslušenstva
11. Teleskopická západka
12. Gombík
13. Rúčka

SYMBOLY NA PRODUKTE



Pred použitím produktu si s porozumením prečítajte všetky pokyny a dodržiavajte výstražné a bezpečnostné upozornenia.



Používajte chrániče zraku



Používajte chrániče sluchu



Používajte ochranné rukavice



Pri používaní tohto produktu používajte nešmyklavú obuv.



Nevystavujte dažďu ani nepoužívajte vo vlhkom prostredí.



Pozor na vymrštené alebo odletujúce objekty. Všetky okolostojace osoby (najmä deti a domáce zvieratá) musia stáť minimálne 15 m od miesta práce



Ruky nedávajte do blízkosti



Opatrebované elektrické zariadenia by ste nemali odhadzovať do domového odpadu. Prosíme o recykláciu ak je možné. Kontaktujte miestne úrady, alebo predajcu pre viac informácií ohľadom ekologického spracovania.



Vyhovuje všetkým regulačným normám v krajine EÚ, v ktorej bol výrobok zakúpený.



Euroázijská značka zhody



Ukrajinské označenie zhody

Nasledujúce signálne slová a významy slúžia na vysvetlenie úrovni rizika súvisiacich s produktom:



NEBEZPEČENSTVO

Označuje bezprostredne nebezpečnú situáciu, ktorá môže vyústiť v smrť, alebo vážne zranenie.



VAROVANIE

Označuje potenciálne nebezpečnú situáciu, ktorá môže vyústiť v smrť, alebo vážne zranenie.



VÝSTRAHA

Označuje potenciálne nebezpečnú situáciu, ktorá môže vyústiť v ľahké, alebo stredne ťažké zranenie.

VÝSTRAHA

(Bez výstražnej značky s výkričníkom) Označuje situáciu, ktorá môže zapríčiniť škody na majetku.

SYMBOLY V TOMTO NÁVODE



Diely alebo príslušenstvo predávané samostatne



Poznámka



Varovanie



Безопасността, работните характеристики и надеждността имат най-висок приоритет при проектирането на вашия уред за почистване на двор.

ПРЕДНАЗНАЧЕНИЕ

Уредът за почистване на двор е предназначен за използване само от възрастни, които трябва да са прочели и разбрали инструкциите и предупрежденията в това ръководство и може да се считат отговорни за действията си.

Продуктът е предназначен за използване само на открити и добре проветрени пространства. Продуктът се използва за почистване на равни повърхности, съединения между различни повърхности и пространствата между тях на открито, включително каменни настилки, плочки, павета и дървени повърхности. Продуктът не е подходящ за вертикална употреба, например върху стени, както и за работа над нивото на главата, например тавани.

Не го използвайте за никакви други цели.

ОБЩИ ПРЕДУПРЕЖДЕНИЯ ЗА БЕЗОПАСНОСТ

⚠ ПРЕДУПРЕЖДЕНИЕ

Прочетете всички предупреждения за безопасност инструкции, илюстрации и спецификации, предоставени с този електрически инструмент. Неспазването на всички инструкции, посочени по-долу, може да доведе до токов удар, пожар и/или сериозно нараняване.

Съхранявайте всички предупреждения и инструкции за бъдещи справки.

Терминът „електрически инструмент“ в предупрежденията се отнася за вашия инструмент - със захранване от електрическата мрежа (с кабел) или на батерия (безжичен).

БЕЗОПАСНОСТ НА РАБОТНАТА ЗОНА

- Поддържайте работното пространство чисто и добре осветено. Безпорядъкът или тъмнината в работното пространство са предпоставка за злополуки.
- Не използвайте електрически инструменти в експлозивни среди, например в присъствието на запалителни течности, газове или прах. По време на работа електрическите инструменти произвеждат искри, които могат да възпламенят прах или пари.
- Дръжте децата и страничните наблюдатели далече, докато боравите с електрически инструмент. Ако вниманието ви бъде отклонено, може да загубите контрола над електрическия инструмент.

ЕЛЕКТРИЧЕСКА БЕЗОПАСНОСТ

- Щепселът на електрическия инструмент трябва да е съвместим с контакта. В никакъв случай не внасяйте изменения в конструкцията на щепсела.

Когато работите със занулени електрически инструменти, не използвайте адаптери за щепсела. Използването на оригиналните щепсели и контакти намалява риска от токов удар.

- Избягвайте допир със заземени повърхности, като тръби, радиатори, печки и хладилници. Когато тялото ви е заземено, рискът от възникване на токов удар е по-голям.
- Не излагайте продукта на дъжд или влажни условия. Проникването на вода в електрическия инструмент повишава опасността от токов удар.
- Не насилвайте захранващия кабел. Никога не носете, не изключвайте и не дърпайте електрическия инструмент за кабела. Предпазвайте кабела от нагриване, омасляване, допир до остри ръбове или до подвижни звена на машини. Повредените или усукани кабели увеличават риска от токов удар.
- Когато работите с електрически инструмент на открито, използвайте само удължителни кабели, предназначени за работа на открито. Използването на удължител, предназначен за работа на открито, намалява риска токов удар.
- Ако не можете да избегнете използването на електрически инструмент на влажно място, използвайте RCD (прекъсвач със защитно изключване). Използването на RCD намалява опасността от електрически удар.

ЛИЧНА БЕЗОПАСНОСТ

- Бъдете бдителни, внимавайте какво правите и проявявайте благоразумие, когато боравите с електрически инструмент. Не използвайте електрическия инструмент, когато сте уморени или под влиянието на наркотични вещества, алкохол или лекарства. Миг невнимание, докато боравите с електрически инструмент, е достатъчен за получаването на сериозни наранявания.
- Използвайте лична защитна екипировка. Винаги носете защитни очила. Защитната екипировка, като маска против прах, пригодени против плъзгане защитни обувки, твърда шапка или антифони, използвани за подходящите условия, ще намали опасността от физически наранявания.
- Не допускайте нежелано стартиране. Преди да вдигате или носите инструмента и преди да го включвате в електрическата мрежа и/или батерия, винаги проверявайте дали превключвателят е на позиция OFF (изкл). Носенето на инструмента с пръст върху превключвателя или включването му към електрическото, докато превключвателят му е на включен, е предпоставка за злополуки.
- Махнете всички гачни или френски ключове за настройка преди да включите инструмента. Помощен инструмент, забравен на въртящ се елемент, може да доведе до физически наранявания.
- Не се протягайте, за да работите на трудно достижими места. Винаги стъпвайте стабилно по време на работа и пазете равновесие. Това дава възможност за по-добър контрол над електрическия инструмент в неочаквани ситуации.
- Обличайте се целесъобразно. Не носете широки





дрехи или украшения. Дръжте косата и дрехите си далече от движещите се части. Широките дрехи, украшенията, дългите коси могат да бъдат захванати и увлечени от движещи се елементи.

- Ако устройствата са оборудвани със съоръжение за издърпване и събиране на прах, уверете се, че е то свързано и функционира правилно. Използването на устройствата за събиране на прах ще намали рисковете, свързани с работа в прашни условия.
- Не позволявайте опита ви с често използване на инструменти да ви направи прекалено самоуверени и да ви накара да игнорирате принципите за безопасност. Едно небрежно действие може да доведе до сериозно нараняване в рамките само на секунда.

ИЗПОЛЗВАНЕ И ОБСЛУЖВАНЕ НА ЕЛЕКТРИЧЕСКИЯ ИНСТРУМЕНТ

- Не насилвайте продукта. Използвайте електрическия инструмент, съобразно неговото предназначение. Правилно подбираният електрически инструмент ще свърши работата по-добре и по-безопасно в зададения от производителя диапазон на натоварване.
- Не използвайте електрически инструменти, чиито пусков прекъсвач е повреден. Електрически инструмент, който не може да бъде контролиран посредством преключател, е опасен и трябва да бъде ремонтиран.
- Изключете щепсела на ел. захранването и/или извадете акумулаторната батерия, ако може да се изважда, от електрическия инструмент, преди да извършвате каквито и да е действия по регулиране, смяна на принадлежностите или съхраняване на електрическия инструмент. Тази мярка премахва опасността от задействане на електрическия инструмент по невнимание.
- Съхранявайте незаеетите електрически инструменти на недостъпни за деца места и не позволявайте на лица, незапознати с инструмента или с тези указания, да боравят с него. Когато са в ръцете на неопитни потребители, електрическите инструменти могат да бъдат изключително опасни.
- Поддържайте в добро състояние електрическите инструменти и техните принадлежности. Проверявайте за неизправности или заклиняване в подвижните елементи, за счупени части или други обстоятелства, които могат да влошат работата на електрическия инструмент. Преди да използвате електрическия инструмент, се погрижете повредите да бъдат отстранени. Много от трудовете злополуки се дължат на недобре поддържани електрически инструменти.
- Поддържайте режещите инструменти винаги добре заточени и чисти. Инструменти, за които е полагана правилна грижа и са с добре наточени режещи елементи, се управляват по-лесно и вероятността да заядат е по-малка.
- Използвайте електрическите инструменти, принадлежностите и режещите и др. части съобразно тези указания, като се съобразявате с работните условия и с работата, която ще

извършвате. Използването на електрически инструменти за различни от предвидените от производителя приложения повишава опасността от възникване на трудови злополуки.

- Дръжте ръкохватките и повърхностите за захващане сухи, чисти и по тях да няма масло и смазка. Хлъзгавите ръкохватки и повърхности за захващане не дават възможност за безопасно боравене и управление на инструмента при възникване на неочаквани ситуации.

ИЗПОЛЗВАНЕ И ОБСЛУЖВАНЕ НА ИНСТРУМЕНТА С БАТЕРИЯ

- Презареждайте единствено със зарядното устройство, посочено от производителя. Зарядно устройство, подходящо за зареждане на един вид батерии, може да предизвика риск от пожар, ако бъде използвано за други батерии.
- Използвайте електрически инструменти с батерии единствено със специално предназначенията за тях батерии. Използването на всякакви други батерии може да създаде риск от нараняване и пожар.
- Когато батерията не се използва, съхранявайте я далеч от други метални обекти, като например кламери, монети, ключове, гвоздеи, гайки или други малки метални обекти, които могат да направят връзка между клемите. Късото съединение от клемите може да доведе до изгаряния или пожар.
- При неправилно използване батерията може да отдели течност; избягвайте контакт. Ако случайно настъпи контакт, промийте с вода. Ако течността влезе в контакт с очите, потърсете допълнително медицинска помощ. Отделената от батерията течност може да причини възпаление или изгаряния.
- Не използвайте акумулаторна батерия или инструмент, които са повредени или променени по някакъв начин. Повредените или променени батерии могат да работят по непредсказуем начин, което да доведе до пожар, взрив или опасност от наранявания.
- Не излагайте акумулаторната батерия или инструмент на огън или прекалено висока температура. Излагането на огън или на температура над 130°C може да причини взрив.
- Следвайте всички инструкции за зареждане и не зареждайте акумулаторната батерия или инструмента извън температурния диапазон, посочен в инструкциите. Неправилното зареждане или зареждането при температури извън посочения диапазон може да повреди батерията и да увеличи риска от пожар.

СЕРВИЗНО ОБСЛУЖВАНЕ

- Ремонтът на електрическите инструменти трябва да се извършва само от квалифицирани специалисти и само с използването на оригинални резервни части. По този начин се гарантира поддържането на безопасност при работа с електрическия инструмент.
- Никога не обслужвайте повредени акумулаторни батерии. Обслужването на акумулаторните батерии



трябва да се извършва само от производителя или от оторизирани доставчици на услуги по обслужване.

ОБЩИ ПРЕДУПРЕЖДЕНИЯ ЗА БЕЗОПАСНОСТ

⚠ ПРЕДУПРЕЖДЕНИЕ

Прочетете всички инструкции с предупреждения за безопасност, илюстрации и спецификации, предоставени с този продукт. Неспазването на предупрежденията и инструкциите може да доведе до токов удар, пожар и/или сериозни наранявания.

⚠ ПРЕДУПРЕЖДЕНИЕ

При използване на продукта трябва да се спазват правилата за безопасност. За осигуряване на вашата безопасност и тази на страничните наблюдатели прочетете тези инструкции, преди да работите с продукта. Съхранявайте ръководството на сигурно място, за да можете да го ползвате и по-късно.

⚠ ПРЕДУПРЕЖДЕНИЕ

Продуктът не е предназначен за използване от деца или от лица с намалени физически, сетивни или умствени способности. Децата трябва да бъдат внимателно надзирани, за да се гарантира, че не си играят с продукта.

⚠ ПРЕДУПРЕЖДЕНИЕ

В някои региони действат наредби, които ограничават употребата на продукта. За съвети се обръщайте към местните власти.

ОБУЧЕНИЕ

- Прочете инструкциите внимателно. Запознайте се с всички контроли и с правилния начин за използване на продукта.
- Никога не позволявайте продуктът да бъде използван от деца или от лица, непознати с настоящите инструкции. Местните наредби могат да налагат ограничения за възрастта на оператора.
- Дръжте всички странични наблюдатели, деца и домашни животни на разстояние поне 15 метра от работната зона. Спрете продукта, ако някой навлезе в работната зона.
- Никога не използвайте продукта, ако сте уморени, болни или под влиянието на алкохол, наркотични вещества или лекарства.
- Трябва да знаете, че операторът или потребителят е отговорен за причиняването на злополуки или щети на други лица или имущество.

ПОДГОТОВКА

- Носете пълна защитна екипировка за очите и слуха ви, когато боравите с продукта. Ако работите в зона, където съществува риск от падащи предмети,

трябва да носите каска.

- Защитните средства за слуха могат да попречат на оператора да чува предупредителните звуци. Бъдете особено внимателни за потенциални опасности в работната зона и около нея.
- Носете здрави дълги панталони, ботуши и ръкавици. Не носете широки дрехи, къси панталони или бижута и не използвайте машината, ако не сте с обувки.
- Дългата коса трябва да бъде прибрана на ниво над раменете, за да се избегне нейното заплитане в движещите се части.
- Преди употреба и след всяко въздействие проверете дали няма повредени части. Поправянето или заменянето на дефектен превключвател или повредени или износени части трябва да се извършва само от упълномощени сервиси.
- Уверете се, че приставката за почистване е правилно поставена и здраво затегната.
- Никога не работете с продукта, докато всички предпазители, отклонители и ръкохватки не са прикрепени правилно и стабилно.
- Помислете за средата, в която работите. Почиствайте работната зона от жици, пръчки, камъни и отпадъци, които биха могли да бъдат захвърлени във въздуха, ако попаднат в съприкосновение с режещия механизъм.

ИЗПОЛЗВАНЕ И ОБСЛУЖВАНЕ НА ИНСТРУМЕНТА С БАТЕРИЯ

- Презареждайте единствено със зарядното устройство, посочено от производителя. Зарядно устройство, подходящо за зареждане на един вид батерии, може да предизвика риск от пожар, ако бъде използвано за други батерии.
- Използвайте електрически инструменти с батерии единствено със специално предназначенията за тях батерии. Използването на всякакви други батерии може да създаде риск от нараняване и пожар.
- Когато батерията не се използва, съхранявайте я далеч от други метални обекти, като например кламери, монети, ключове, гвоздеи, гайки или други малки метални обекти, които могат да направят връзка между клемите. Късото съединение от клемите може да доведе до изгаряния или пожар.
- При неправилно използване батерията може да отдели течност; избягвайте контакт. Ако случайно настъпи контакт, промийте с вода. Ако течността влезе в контакт с очите, потърсете допълнително медицинска помощ. Отделената от батерията течност може да причини възпаление или изгаряния.

ПРЕДУПРЕЖДЕНИЯ ЗА БЕЗОПАСНОСТ ОТНОСНО БЕЗЖИЧНИЯ УРЕД ЗА ПОЧИСТВАНЕ НА ДВОР

- Никога не позволявайте продуктът да бъде използван от: деца; лица с намалени физически, сетивни или умствени способности; лица без необходимите опит и знания; лица, които не са запознати с настоящите инструкции.
- Използвайте продукта през деня или при добро

изкуствено осветление.

- Винаги стъпвайте стабилно и пазете равновесие, особено върху наклонени повърхности.
- Не ходете назад, докато използвате продукта.
- Вървете, никога не тичайте, когато косите.
- Дръжте приставката с главата под нивото на кръста.
- Никога не използвайте продукта, ако предпазителите са повредени или ако не са на мястото си.
- Винаги дръжте ръцете и краката си настрана от почистващите средства, особено при включване на мотора.
- Никога не използвайте продукта, ако предпазителите са повредени или ако не са на мястото си.
- Изключете и свалете акумулаторната батерия. Уверете се, че всички движещи се части са спрели напълно:
 - преди обслужване
 - преди оставяне на изделието без надзор
 - преди почистване на запушване
 - преди проверка, почистване или работа по уреда
 - преди смяна на принадлежности
 - след удряне на чужд предмет
 - всеки път при извършване на техническо обслужване
 - ако уредът започне да вибрира неестествено
- Носете пълна защитна екипировка за очите и слуха ви, когато боравите с продукта. Ако работите в зона, където съществува риск от падащи предмети, трябва да носите каска.
- Защитните средства за слуха могат да попречат на оператора да чува предупредителните звуци. Бъдете особено внимателни за потенциални опасности в работната зона и около нея.
- Дългата коса трябва да бъде прибрана на ниво над раменете, за да се избегне нейното заплитане в движещите се части.
- Винаги проверявайте дали по вентилационните отвори има отпадък.
- Преди употреба и след всяко въздействие проверете дали няма повредени части. Поправянето или заменянето на дефектен превключвател или повредени части трябва да се извършват само от оторизирани сервиси.
- Не модифицирайте машината по какъвто и да е начин; това може да увеличи риска от физическо нараняване за вас или други лица.
- В случай на неизправност или повреда изключете и свалете акумулаторната батерия. Не работете с продукта отново, докато той не премине щателна проверка в оторизиран сервизен център.
- Винаги изпробвайте продукта върху материала, който ще почиствате, преди да започнете същинската дейност.

ДОПЪЛНИТЕЛНИ ПРЕДУПРЕЖДЕНИЯ ЗА БЕЗОПАСНОСТ ЗА БАТЕРИЯТА

ПРЕДУПРЕЖДЕНИЕ

За да избегнете опасността от пожар, предизвикана от късо съединение, както и нараняванията и повредите на продукта, не потапяйте инструмента, сменяемата акумулаторна батерия или зарядното устройство в течности и се погрижете в уредите и акумулаторните батерии да не попадат течности. Течностите, предизвикващи корозия или провеждащи електричество, като солена вода, определени химикали, избелващи вещества или продукти, съдържащи избелващи вещества, могат да предизвикат късо съединение.

ТРАНСПОРТИРАНЕ И СЪХРАНЕНИЕ

- Спрете продукта, свалете батерията и изчакайте машината да се охлади, преди да я транспортирате или да я приберете за съхранение.
- Почистете продукта от всички чужди частици.
- Не съхранявайте и не транспортирайте продукта с монтирана акумулаторна батерия, а я извадете и я дръжте отделно на безопасно място. Съхранявайте я на хладно, сухо и добре проветрявано място, което е недостъпно за деца. Не го оставяйте в близост до корозивни материали като градински химикали или соли за размразяване. Не съхранявайте на открито.
- Дръжте този продукт на недостъпно за деца място.
- Когато транспортирате продукта, го обезопасете така, че да не може да се движи или да падне, защото това може да доведе до евентуални наранявания на хора или повреди по продукта.

ТРАНСПОРТИРАНЕ НА ЛИТИЕВИ БАТЕРИИ

Транспортирайте батериите в съответствие с местните и национални постановления и разпоредби. Спазвайте всички специални изисквания за пакетиране и етикетирание, когато транспортирате батерии чрез трето лице.

Уверете се, че батериите не влизат в контакт с други батерии или проводими материали по време на транспортиране, като предпазите откритите конектори с изолация, непроводими капачета или лента. Не транспортирайте батерии, които са спукани или текат. Свържете се със следната компания за допълнителен съвет.

ПОДДРЪЖКА

ПРЕДУПРЕЖДЕНИЕ

Използвайте само оригинални резервни части, аксесоари и приставки от производителя. В противен случай може да се влоши работата на инструмента или да получите тежки контузии, а гаранцията ви ще стане невалидна.

⚠ ПРЕДУПРЕЖДЕНИЕ

Сервизното обслужване изисква изключително внимание и специфични познания и следва да бъде извършвано само от квалифициран техник. Продуктът трябва да бъде ремонтиран само в упълномощен сервиз. При извършване на сервизни дейности използвайте само оригинални резервни части от производителя.

- Изключете и свалете акумулаторната батерия, преди да извършвате каквато и да е профилактика или почистващи дейности.
- Можете да правите настройки и поправки, описани в това ръководство на потребителя. За други поправки се свържете с агент на упълномощения сервиз.
- Периодично проверявайте дали всички гайки, болтове и винтове са правилно затегнати, за да сте сигурни, че продуктът е в изправност. Всяка повредена част трябва да бъде поправена или заменена от упълномощен сервизен център.
- Занесете продукта в оторизиран сервизен център, ако е необходима замяна на повредени или нечетливи етикети.

НЕПРЕДВИДЕНИ РИСКОВЕ.

Дори когато продуктът се използва по предназначение, е невъзможно напълно да се ограничи влиянието на определени рискови фактори. Описаните по-долу опасности могат да възникнат по време на работа, като операторът трябва да внимава за избягването на следното:

- Нараняване, причинено от вибрация
 - Дръжте продукта за предназначенияте ръкохватки и ограничавайте времето за работа.
- Наранявания, причинени от шум
 - Носете антифони и ограничете излагането
- Наранявания, причинени от летящи отпадъци.
 - По всяко време носете защитни средства за очите.

НАМАЛЯВАНЕ НА РИСКА

Известно е, че вибрациите, произвеждани от ръчни инструменти може да предизвикат у някои индивиди заболяване, наречено Синдром на Рейнолд (Raynaud's Syndrome). Симптомите може да включват изтръпване, схващане и избледняване на пръстите, обикновено се забелязват при излагане на студ. Смята се, че наследствените фактори, излагането на студ и влага, диетите, пушенето и някои работни навици допринасят за развитието на тези симптоми. Могат да се вземат някои мерки, които могат да се предприемат от оператора, за да се намалят ефектите от вибрациите:

- Поддържайте телесната температура в студено време. Когато работите с продукта, носете ръкавици, за да поддържате ръцете и китките си топли. Според изследвания главният фактор, допринасящ за развитието на Raynaud's Syndrome,

е студено време.

- Правете упражнения за активизиране на кръвообращението след всеки работен цикъл.
- Редовно излизайте в почивка. Ограничете излагането на вибрации на ден.

При поява на някой от симптомите на това заболяване, незабавно прекратете употребата на инструмента и посетете лекар.

⚠ ПРЕДУПРЕЖДЕНИЕ

Продължителното използване на инструмента може да доведе до наранявания или влошаване. При използване на инструмента за продължителни периоди от време правете чести почивки.

ОПОЗНАЙТЕ ВАШИЯ ПРОДУКТ

Вж. страница 138.

Части

1. Спусък за фиксиране
2. Спусък
3. Телена четка
4. Колело
5. Модул с въртяща се четка
6. Въртяща се четка
7. Зарядно устройство
8. Фиксатор на батерията
9. Батерия
9. Бутон за смяна на приставката
11. Резе за фиксиране/освобождение на телескопичния прът
12. Копче
13. Ръкохватка

СИМВОЛИ НА ПРОДУКТА



Прочетете и осмислете всички указания, преди да започнете работа с продукта; спазвайте всички предупреждения и инструкции за безопасност.



Носете защитни средства за очи



Носете антифони



Носете защитни ръкавици



Носете непъргалящи се защитни обувки, когато използвате продукта.



Не излагайте на дъжд и на влажни условия.



Внимавайте за изхвърлени или летящи обекти. Не допускайте странични наблюдатели, особено деца и домашни животни, на по-малко от 15 м от работната зона.



Дръжте ръцете си далеч



Електрическите уреди не трябва да се изхвърлят заедно с битовите отпадъци. Рециклирайте, където има възможност. Обърнете се за съвет по рециклирането към местните власти или разпространителите.



Тази машина е в съответствие с нормативната уредба на държавата от ЕС, където е била закупена.



EurAsian знак за съответствие



Украински знак за съответствие

Следните сигнални думи и техните съответни значения обясняват нивата на опасност, свързани с употребата на този продукт:

 ОПАСНОСТ

Указва неминуемо опасна ситуация, която ако не бъде избегната, ще доведе до сериозни наранявания или смърт.

 ПРЕДУПРЕЖДЕНИЕ

Указва потенциално опасна ситуация, която ако не бъде избегната, може да доведе до сериозни наранявания или смърт.

 ВНИМАНИЕ

Указва потенциално опасна ситуация, която ако не бъде избегната, може да доведе до дребни или средни наранявания.

ВНИМАНИЕ

(Без предупредителен символ за безопасност) Указва ситуация, която може да доведе до имуществени щети.

СИМВОЛИ В НАСТОЯЩОТО РЪКОВОДСТВО



Частите или принадлежностите се продават отделно



Забележка



Предупреждение



Головними міркуваннями при розробці цього бездротового очищувача для патіо були безпека, ефективність та надійність.

ПЕРЕДБАЧУВАНОМУ ВИКОРИСТАННІ

Очищувач для патіо призначений для використання тільки дорослими, які уважно прочитали і зрозуміли інструкції та попередження у цій інструкції з використання, і можуть вважатися відповідальними за свої дії.

Продукт призначений тільки для використання на відкритому повітрі у добре провітрюваній області. Пристрій використовується для чищення рівних поверхонь, стиків та міжповерхових поверхонь на вулиці, включаючи кам'яні плити, плитки, брукування та дерев'яні поверхні. Пристрій не підходить для вертикального використання, наприклад для стін будинків та роботи над головою, такої як на стелі.

Не використовуйте для будь-яких інших цілей.

ГОЛОВНІ ПОПЕРЕДЖЕННЯ З БЕЗПЕКИ ЕЛЕКТРОІНСТРУМЕНТУ

⚠ ПОПЕРЕДЖЕННЯ

Прочитайте всі правила безпеки, інструкції, ілюстрації і специфікації, що поставляються з електроінструментом. Недотримання наведених нижче вказівок може призвести до ураження електричним струмом, пожежі та / або серйозних травм.

Збережіть всі інструкції і вказівки для майбутнього використання.

Термін "електроінструмент" "в попередженнях відноситься до Вашого мережевого (з кабелем) електроінструменту або з батарейним живленням (бездротового) електроінструменту.

БЕЗПЕКА РОБОЧОГО МІСЦЯ

- Утримуйте робоче місце в чистоті і добре освітленим. Безлад на робочому місці або темні місця спричиняють аварії.
- Не використовуйте електроінструменти у вибухонебезпечній атмосфері, наприклад, у присутності легкозаймистих рідин, газів або пилу. Електричні інструменти створюють іскри, що можуть запалити пил або пари.
- Тримайте дітей та сторонніх осіб подалі під час роботи електроінструментом. Відволікання уваги може призвести до втрати контролю.

ЕЛЕКТРОБЕЗПЕКА

- Вилка живлення електроінструменту повинна відповідати розетці. Ніколи не змінюйте вилку. Не використовуйте ніякі вилки-перехідники з заземленими (замкнутими на землю) електроінструментами. Не змінені вилки та відповідні розетки зменшують ризик ураження електричним струмом.
- Уникайте контакту тіла з заземленими

поверхнями, такими як труби, радіатори, плити та холодильники. Існує підвищений ризик ураження електричним струмом, якщо ваше тіло заземлене.

- Не піддавайте електроінструменти впливу дощу або вологих умов. Вода, що потрапила в електроінструмент збільшує ризик ураження електричним струмом.
- Не зловжуйте шнур. Ніколи не використовуйте шнур живлення для перенесення, переміщення або вилучення вилки з розетки. Тримайте шнур подалі від тепла, масла, гострих кромки або рухомих частин. Пошкоджені або заплутані шнури збільшують ризик ураження електричним струмом.
- При роботі з електроінструментом на вулиці, використовуйте подовжувач, відповідний для використання на відкритому повітрі. Використання кабелю, придатного для використання на відкритому повітрі, знижує ризик ураження електричним струмом.
- При роботі з електроінструментом у вологому середовищі використовуйте залишковий поточний пристрій (ЗПП) захищеного живлення. Використання ЗПП знижує ризик ураження електричним струмом.

ОСОБИСТА БЕЗПЕКА

- Будьте уважні, дивіться, що ви робите, і використовуйте здоровий глузд при роботі з електроприладами. Не використовуйте електроінструмент, якщо Ви втомилися або перебуваєте під впливом наркотиків, алкоголю або ліків. Найменша необережність при роботі з електроінструментом може призвести до серйозних травм.
- Використовуйте персональне захисне обладнання. Завжди надягайте захисні окуляри. Захисне устаткування, наприклад, респіратор, взуття на нековзній підшві, захисний шолом або засоби захисту органів слуху, використовувани в належних умовах, зменшать ризик отримання травми.
- Запобігайте випадковому запуску. Переконайтеся, що вимикач знаходиться у вимкненому положенні перед підключенням до джерела живлення та / або акумуляторної батареї, підніманням або переміщенням інструменту. Не переносьте електроінструмент з пальцем на вимикачі або подачею живлення на інструмент, який має перемикач, щоб запобігти нещасного випадку.
- Перед включенням електроінструменту знімайте регульовальний або гайковий ключ. Гайковий ключ або регульовальний ключ, залишений на обертаємій частині електроінструменту, може призвести до травми.
- Не тягніться. Зберігайте правильну стійку і баланс весь час. Це дозволяє краще контролювати інструмент в несподіваних ситуаціях.
- Одягайтеся правильно. Не носіть вільний одяг або прикраси. Тримайте волосся і одяг подалі від рухомих частин. Вільний одяг, прикраси або довге волосся можуть потрапити в рухомі частини.
- Якщо є пристрій для підключення для збору





пилу, переконайтеся, що вони під'єднані і використовуються правильно. Використання пилосбірника знижує небезпеку, пов'язану з заплиленістю.

- Неухильно дотримуйтеся правил техніки безпеки навіть при використанні інструменту впродовж тривалого часу. Необережна дія може протягом ліченіх секунд призвести до серйозних травм.

ВИКОРИСТАННЯ ТА ДОГЛЯД ЗА ЕЛЕКТРОІНСТРУМЕНТОМ

- Не перевантажуйте електроінструмент. Використовуйте відповідний для вашої потреби електроінструмент. Електроінструмент виконає роботу краще і безпечніше при швидкості, для якої він був розроблений.
- Не використовуйте електроінструмент, якщо перемикач не включає та вимикає його. Будь-який електроінструмент, який не може управлятися за допомогою перемикача, є небезпечним і має бути відремонтований.
- Перед проведенням будь-яких налаштувань, заміною аксесуарів або при зберіганні електроінструменту слід від'єднати вилку від джерела живлення і / або вийняти з електроінструменту батарею, якщо вона знімна. Такі профілактичні заходи безпеки зменшують ризик випадкового включення електроінструмента.
- Зберігайте непрацюючі електроприлади у недоступному для дітей місці і не дозволяйте особам, які не знайомі з інструкціями електричного прилада або з даними інструкціями, працювати з електроприладами. Електроінструменти небезпечні в руках недосвідчених користувачів.
- Обслуговування електроінструментів та аксесуарів. Перевірте розрегульовані або зв'язані рухомі частини, поломані частини і будь-які інші умови, які можуть вплинути на роботу електроінструменту. Якщо пошкоджений, відремонтуйте електроінструмент перед використанням. Багато нещасних випадків є наслідком поганого догляду за електроінструментом.
- Тримайте ріжучий інструмент гострим і чистим. Добре доглянутий ріжучий інструмент з гострими ріжучими краївками рідше зв'язується і легше контролюється.
- Використовуйте електроінструмент, аксесуари та насадки відповідно до цих інструкцій, беручи до уваги умови роботи і роботу, що повинна бути виконана. Використання електричного інструменту для операцій, які відрізняються від призначених, може призвести до небезпечної ситуації.
- Ручки та поверхні для захвату інструменту завжди повинні бути сухими, чистими і вільними від оливи й мастила. Слизькі ручки та поверхні для захвату можуть перешкоджати безпечному поводженню і контролю інструмента у несподіваних ситуаціях.

ВИКОРИСТАННЯ І ДОГЛЯД ІНСТРУМЕНТУ НА БАТАРЕЙКАХ

- Перезаряджати тільки за допомогою зарядного пристрою, зазначеного виробником. Зарядний

пристрій, що підходить для одного типу акумуляторів, може створити ризик загоряння при використанні з іншим акумуляторним блоком.

- Використовуйте електроінструменти тільки з призначеними для них акумуляторами. Використання будь-яких інших акумуляторів, може створити ризик отримання травми і пожежі.
- Коли акумулятор не використовується, тримайте його подалі від металевих предметів, таких як скріпки, монети, ключі, цвяхи, шурупи, або інші дрібні металеві предмети, які можуть підключити один контакт до іншого. Коротке замикання контактів акумулятора може призвести до опіків або пожежі.
- У важких умовах експлуатації, рідина може бути випущена з батареї; уникайте контакту. При випадковому контакті змийте водою. Якщо рідина потрапила в очі, зверніться за медичною допомогою. Рідина з акумулятора може викликати роздратування або опіки.
- Не використовуйте пошкоджений або модифікований акумулятор або інструмент. Пошкоджені або модифіковані акумуляторні батареї можуть мати непередбачувану поведінку, що може призвести до виникнення пожежі, вибуху і ризику отримання травми.
- Не піддавайте акумулятори або інструмент впливу надмірної температури або вогню. Вплив вогню або температури вище 130 ° C може призвести до вибуху.
- Дотримуйтеся усіх попереджень та не заряджайте акумуляторну батарею або інструмент при температурах, які виходять за межі зазначених у інструкції. Зарядка неналежним чином або при температурах поза зазначеного діапазону може привести до пошкодження батареї та збільшує ризик виникнення пожежі.

СЕРВІС

- Дозволяйте обслуговувати ваш електроінструмент тільки кваліфікованому персоналу, використовуючи тільки ідентичні запасні частини. Це буде гарантувати безпечне обслуговування електроінструменту.
- Ніколи не обслуговуйте пошкоджені акумулятори. Обслуговування акумуляторних батарей повинно проводитися тільки виробником або уповноваженим сервісним центром.

ЗАГАЛЬНІ ЗАХОДИ БЕЗПЕКИ

Попередження

Вивчіть всі правила безпеки, інструкції, ілюстрації і специфікації, що поставляються з пристроєм. Недотримання попереджень та інструкцій може призвести до ураження електричним струмом, пожежі та / або серйозної травми.





⚠ Попередження

При використанні продукту, потрібно дотримуватися правил безпеки. Для вашої власної безпеки та безпеки перехожих, будь ласка, прочитайте ці інструкції перед експлуатацією виробу. Будь ласка, збережіть інструкції з безпеки для подальшого використання.

⚠ Попередження

Продукт не призначений для використання дітьми або особами з обмеженими фізичними, розумовими або сенсорними можливостями. Потрібно належним чином стежити за дітьми, щоб вони не грали з машиною.

⚠ Попередження

У деяких регіонах існують правила, що обмежують використання продукту для деяких операцій. Перевірте з вашим місцевим органом влади для консультацій

ПІДГОТОВКА

- Уважно прочитайте інструкцію. Добре ознайомтеся з органами управління та правильним використанням машини.
- Ніколи не дозволяйте дітям або людям, не знайомим з цими інструкціями, використовувати продукт. Місцеве законодавство може обмежувати вік оператора.
- Тримайте перехожих, дітей і домашніх тварин на відстані 15м від місця експлуатації. Якщо будь-хто ходить у зону роботи машини, зупиніть її.
- Не використовуйте цю машину, якщо ви втомилися, хворі, або під впливом алкоголю, наркотиків або ліків.
- Майте на увазі, що оператор або користувач несе відповідальність за нещасні випадки або пошкодження спричинені іншим особам або їх майну.

ПІДГОТОВКА

- Носіть повний захист очей та слуху під час роботи з продуктом. При роботі в місцях, де є ризик падіння предметів, потрібно надягати захисний головний убір.
- Засоби захисту органів слуху можуть зашкодити можливості оператора чути попереджувальні звуки. Приділяйте особливу увагу можливим небезпекам навкруги та всередині робочої зони.
- Носіть важкі довгі штани, чоботи і рукавички. Не носіть широкий одяг, короткі штани, коштовності будь-якого виду та не використовуйте прилад босоніж.
- Зафіксуйте довге волосся вище рівня плеча, щоб запобігти заплутуванню в будь-яких рухомих частинах.

- Перед використанням і після кожної дії, переконайтеся, що немає пошкоджених частин. Несправний вимикач або будь-яка пошкоджена частина, повинні бути відремонтовані чи замінені в авторизованому сервісному центрі.
- Переконайтеся, що приладдя для чищення правильно встановлене та надійно закріплене.
- В жодному разі не користуйтеся приладом, поки всі захисні частини, дефлектори та ручки не будуть належним чином та надійно закріплені.
- Врахуйте середовище, в якому ви працюєте. Забезпечте, щоб робоча зона була вільною від дротів, пальців, каміння і уламків, які при зіткненні з лезом може пошкодити об'єкти.

ВИКОРИСТАННЯ І ДОГЛЯД ІНСТРУМЕНТУ НА БАТАРЕЙКАХ

- Перезаряджати тільки за допомогою зарядного пристрою, зазначеного виробником. Зарядний пристрій, що підходить для одного типу акумуляторів, може створити ризик загоряння при використанні з іншим акумуляторним блоком.
- Використовуйте електроінструменти тільки з призначеними для них акумуляторами. Використання будь-яких інших акумуляторів, може створити ризик отримання травми і пожежі.
- Коли акумулятор не використовується, тримайте його подалі від металевих предметів, таких як скріпки, монети, ключі, цвяхи, шурупи, або інші дрібні металеві предмети, які можуть підключити один контакт до іншого. Коротке замикання контактів акумулятора може призвести до опіків або пожежі.
- У важких умовах експлуатації, рідина може бути випущена з батареї; уникайте контакту. При випадковому контакті змийте водою. При потрапленні рідини в очі, зверніться за медичною допомогою. Рідина з акумулятора може викликати роздратування або опіки.

ПОПЕРЕДЖЕННЯ З БЕЗПЕКИ ВИКОРИСТАННЯ ОЧИЩУВАЧА ДЛЯ ПАТІО

- Ніколи не дозволяйте дітям, людям зі зниженими фізичними, сенсорними або розумовими здібностями або з недостатнім досвідом і знаннями, або людям, не знайомим з цими інструкціями, користуватися виробом.
- Використовуйте продукт при денному світлі або при хорошему штучному освітленні.
- Завжди зберігайте стійке положення та рівновагу, особливо на сходах.
- Не задкуйте при використанні продукту.
- Ходіть, ніколи не бігайте.
- Тримайте прилаштування голівки нижче рівня пояса.
- Ніколи не працюйте з пошкодженими запобіжними пристосуваннями або без запобіжних пристосувань.
- Завжди тримайте руки та ноги далі від приладдя для чищення, особливо при включенні двигуна.
- Ніколи не працюйте з пошкодженими запобіжними





приспосовуваннями або без запобіжних пристосувань.

- Вимкніть пристрій та від'єднайте акумуляторну батарею. Переконайтеся, що всі рухомі частини зупинилися:
 - перед обслуговуванням
 - до того, як залишити продукт без нагляду
 - перед очищенням закупорення
 - перед перевіркою, чищенням, або роботі на продукті
 - перед зміною приладдя
 - Після удару об сторонній предмет
 - перед кожним технічним обслуговуванням
 - якщо продукт починає ненормально вібрувати
- Носіть повний захист очей і слуху під час роботи з продуктом. При роботі в місцях, де є ризик падіння предметів, потрібно надягати захисний головний убор.
- Засоби захисту органів слуху можуть зашкодити можливості оператора чути попереджувальні звуки. Прیدіляйте особливу увагу можливим небезпекам навкруги та всередині робочої зони.
- Зафіксуйте довге волосся вище рівня плеча, щоб запобігти заплутуванню в будь-яких рухомих частинах.
- Завжди переконайтеся, що вентиляційні отвори знаходяться чистими від сміття.
- Перед використанням і після кожної дії, переконайтеся, що немає пошкоджених частин. Несправний вимикач або будь-яка деталь, яка пошкоджена, повинні бути правильно відремонтовані або замінені в авторизованому сервісному центрі.
- Не змінюйте машину будь-яким чином, це може збільшити ризик травми для себе чи інших осіб.
- У разі нещасного випадку або пошкодження, негайно вимкніть пристрій та від'єднайте акумуляторну батарею. Не використовуйте прилад знову до проведення його повної перевірки в авторизованому сервісному центрі.
- Завжди перед початком роботи, перевіряйте чи можна очистити матеріали, які потребують чищення.

ДОДАТКОВІ ПОПЕРЕДЖЕННЯ З ТЕХНІКИ БЕЗПЕКИ ЩОДО ВИКОРИСТАННЯ АКУМУЛЯТОРІВ

⚠ Попередження

Для запобігання небезпеці пожежі в результаті короткого замикання, травмам і пошкодженню виробів не занурюйте інструмент, змінний акумулятор або зарядний пристрій у рідину і не допускайте потрапляння рідини всередину пристроїв або акумуляторів. Корозійні і струмопровідні рідини, такі як солоний розчин, певні хімікати, вибілювальні засоби або продукти, що їх містять, можуть призвести до короткого замикання.

ТРАНСПОРТУВАННЯ ТА ЗБЕРІГАННЯ

- Перед зберіганням або транспортуванням зупиніть виріб, видаліть акумуляторну батарею та дайте їм охолонуть.
- Очистіть всі сторонні матеріали з продукту.
- Не зберігайте та не транспортуйте пристрій із встановленими акумуляторами, вийміть їх та закріпіть окремо. Зберігайте продукт в прохолодному, сухому і добре провітрюваному місці, недоступному для дітей. Зберігати подальше від агресивних агентів, таких як садові хімікати і солей проти обледеніння. Не зберігайте на відкритому повітрі.
- Завжди зберігайте пристрій у недоступному для дітей місці.
- Для транспортування, забезпечіть машину від руху або падіння, щоб запобігти травми людей або пошкодження машини.

ПЕРЕВЕЗЕННЯ ЛІТЄВИХ БАТАРЕЙ

Здійсніть транспортування акумуляторної батареї відповідно до місцевих та загальнодержавних норм і правил. Дотримуйтеся всі спеціальні вимоги до упаковки і маркування при транспортуванні батареї третьою стороною.

Переконайтеся, що під час транспортування акумулятор не вступає в контакт з іншими акумуляторними батареями або струмопровідними матеріалами та захистіть відкриті роз'єми ізоляційними непровідними кришками або стрічкою. Чи не переносьте акумулятори, тріснуті або бігу. Зв'язатися з нами для отримання подальших рекомендацій.

ТЕХНІЧНЕ ОБСЛУГОВУВАННЯ

⚠ Попередження

Використовуйте тільки оригінальні запасні частини, аксесуари та обладнання від виробника. Невиконання цієї вимоги може привести до можливої травми, поганого продуктивності та може призвести до втрати гарантії.

⚠ Попередження

Обслуговування вимагає крайньої обережності і знання і повинно бути виконане тільки кваліфікованим фахівцем. Звертайтеся тільки до авторизованого сервісного центру. При технічному обслуговуванні використовуйте тільки ідентичні заміні частини.

- Вимкніть та вийміть акумуляторну батарею перед виконанням будь-яких робіт з технічного обслуговування чи очищення.
- Ви можете зробити регулювання та ремонт, описані в цьому посібнику користувача. Для інших ремонтних робіт, зверніться до авторизованого сервісного агента.
- Перевірте всі гайки, болти і гвинти після короткого проміжка часу на правильну герметичність, щоб



забезпечити продукт у безпечному робочому стані. Будь-яка пошкоджена деталь, має бути правильно відремонтована або замінена в авторизованому сервісному центрі.

- Принесіть продукт в авторизований сервісний центр для заміни пошкоджених або нечитасмих етикеток.

НЕПЕРЕДБАЧЕНІ РИЗИКИ

Навіть за належного використання інструмента неможливо повністю нейтралізувати певні фактори залишкового ризику. Наступні небезпеки можуть виникати при використанні продукту та оператору слід звернути особливу увагу, щоб уникнути наступного:

- Травми спричинені вібрацією.
 - Тримайте прилад за спеціально призначені ручки та лімітуйте час роботи із ним.
- Підвищений рівень шуму може спричинити пошкодження слуху.
 - Надягайте захист для органів слуху та лімітуйте вплив.
- Травми, викликані літаючими уламками
 - Носіть захист для очей у весь час.

ЗНИЖЕННЯ РИЗИКУ

Відомі випадки, коли вібрація від ручних інструментів сприяє появі так званого синдрому Рейно. Симптоми схожі на ті, що з'являються під впливом холоду, включаючи поколювання, оніміння та збліднення пальців. Вважається, що спадкові чинники, вплив холоду і сирості, харчування, куріння і деякі звички роботи сприяють розвитку цих симптомів. Можна прийняти деякі заходи, які можуть бути прийняті оператором, щоб зменшити вплив вібрації:

- Підтримувати температуру тіла в холодну погоду. При використанні інструменту надягайте рукавички, щоб тримати руки та зап'ястки у теплі. Згідно з дослідженнями, основний внесок в розвиток синдрому Рейно, є холодна погода.
- Вправа для активації кровообігу після кожного запуску.
- Регулярно йдуть на перерву. Лімітуйте кількість роботи на день.

Якщо ви виявили будь-який з цих симптомів, негайно припиніть використання і зверніться до вашого лікаря згідно цих симптомів.

⚠ Попередження

Тривале використання інструменту може призвести до травмування або загострення існуючої травми. При використанні приладу протягом тривалого періоду часу, часті перерви.

ЗНАЙ СВІЙ ПРОДУКТ

Дивіться сторінку 138.

Частини

1. Затисна клямка
2. Клямка

3. Дротяна щітка
4. Колесо
5. Роликівка щітка у зборі
6. Роликівка щітка
7. Зарядний пристрій
8. Батарейний фіксатор
9. Акумулятор
10. Кнопка заміни приладдя
11. Телескопічний фіксатор
12. Ручок
13. Ручка

СИМВОЛИ НА ПРОДУКТІ



Читайте і зрозумійте всі інструкції перед експлуатацією виробу, дотримуйтесь всіх вказівок і попереджень з техніки безпеки.



Одягайте захисні окуляри



Одягайте засоби для захисту слуху



Носіть захисні рукавички.



Носіть нековзне захисне взуття при використанні продукту.



Не піддавайте впливу дощу або вогкому стану.



Остерігайтеся кинутих або літаючих об'єктів. Тримайте всіх перехожих, особливо дітей і домашніх тварин, принаймні 15 м від робочої зони.



Тримайте руки подалі



Не викидати відпрацьовані електричні прилади разом із побутовими відходами. Утилізувати у спеціально призначених закладах. За консультацією по утилізації приладу зверніться до органу місцевої влади або дилера



Відповідає всім нормативним стандартам в країнах ЄС, де вироб було придбано.



Євразійська знак відповідності.



Український знак відповідності

Наступні сигнальні слова і змісти призначені для пояснення рівнів ризику, пов'язаних з продуктом.



НЕБЕЗПЕКА
Вказує на неминуче небезпечну ситуацію, яка, якщо її не уникнути, може призвести до смерті або серйозних травм.



Попередження

Вказує на потенційно небезпечну ситуацію, яка, якщо її не уникнути, може призвести до смерті або серйозних травм.



УВАГА

Вказує на потенційно небезпечну ситуацію, яка, якщо її не уникнути, може призвести до легкої або середньої травми.

УВАГА

(Без попереджувачих символів)
Вказує на ситуацію, яка може призвести до пошкодження майна.

СИМВОЛИ В ЦЬОМУ ПОСІБНИКУ



Запчастини та аксесуари, що продаються окремо



ПРИМІТКА



Попередження

Kablosuz avlu temizleyicinizin tasarımında güvenlik, performans ve güvenilirliğe en yüksek öncelik verilmiştir.

KULLANIM AMACI

Avlu temizleyici bu kılavuzdaki talimat ve uyarıları okuyup anlamış olan, davranışlarının sorumluluğunu alabilen yetişkinler tarafından kullanılması için tasarlanmıştır.

Bu ürün sadece iyi havalandırılan bir alanda dış mekanda kullanıma yöneliktir. Ürün taş levhalar, karolar, döşeme taşları ve ahşap yüzeyler dahil, açık havada düz yüzeyleri, birleşme yerlerini ve ara yüzeyleri temizlemek için geliştirilmiştir. Ürün ev duvarları gibi dikey işlemler ya da tavanlar gibi yüksek çalışmalar için uygun değildir.

Başka herhangi bir amaçla kullanmayın.

ELEKTRİKLİ ALET İÇİN GENEL GÜVENLİK TALİMATLARI

⚠ UYARI

Bu aletle birlikte verilen tüm uyarı, talimat ve özellikleri dikkatlice okuyunuz ve resimli açıklamalara bakınız. Aşağıda sıralanan bütün talimatlara uymamak elektrik çarpmasına, yangına ve/veya ciddi yaralanmalara neden olabilir.

Bu uyarıları ve talimatları daha sonra bakabilmek için saklayın.

Aşağıdaki güvenlik talimatlarında kullanılan «elektrikli alet» terimi, kablolu elektrikli aletleri belirttiği gibi, kablosuz elektrikli aletleri de belirtmektedir.

ÇALIŞMA ORTAMININ GÜVENLİĞİ

- Çalışma ortamınızı temiz ve iyi aydınlatılmış şekilde tutun. Dağınık ya da karanlık alanlar kazalara davetiye çıkarır.
- Patlayıcı bir ortamda, örneğin yanıcı sıvıların, gazların ya da tozların yakınında elektrikli aletler kullanmayın. Elektrikli aletlerden kaynaklanan kıvılcıklar bunların alev almasına veya patlamasına neden olabilir.
- Elektrikli bir alet kullandığınızda, çocukları, ziyaretçileri ve evcil hayvanları uzak tutun. Bunlar sizin dikkatinizi dağıtabilir ve aletin kontrolünü kaybetmenize sebep olabilirler.

ELEKTRİK GÜVENLİĞİ

- Elektrikli aletin fişi prize uygun olmalıdır. Fişe asla müdahale etmeyin. Topraklanmış elektrikli aletler ile birlikte asla adaptör kullanmayın. Böylece elektrik çarpması risklerini önlemiş olursunuz.
- Topraklanmış yüzeyler (yani borular, radyatörler, ocaklar, buzdolapları, vs.) ile her türlü temastan kaçının. Vücudunuzun herhangi bir bölümünün topraklanmış yüzeyler ile temas etmesi, elektrik çarpması risklerini artırır.
- Elektrikli bir aleti yağmura ya da neme maruz bırakmayın. Suyun elektrikli aletin içine girmesi elektrik çarpması riskini artırır.
- Elektrik kordonunu daima iyi durumda tutmaya özen gösterin. Aletinizi asla besleme kordonundan

tutmayın ve aleti prizden çekmek için asla kordondan çekmeyin. Besleme kordonunu her türlü ısı veya yağ kaynağından, kesici nesnelere ve hareket halindeki parçalardan uzak tutun. Kordonun zarar görmüş ya da dolanmış olması, elektrik çarpması risklerini artırır.

- Dışarıda çalıştığınızda, yalnızca dış kullanım için tasarlanmış uzatma kabloları kullanın. Böylece elektrik çarpması risklerini önlemiş olursunuz.
- Aletinizi nemli bir ortamda kullanmaktan başka bir seçeneğiniz bulunmuyorsa, aletinizi bir diferansiyel artık akım düzeneği (DDR) tarafından korunan bir elektrik beslemesine bağlayın. Bir DDR düzeneğinin kullanılması elektrik çarpması risklerini azaltır.

KİŞİSEL GÜVENLİK

- Elektrikli bir alet kullandığınızda, tetikte olun, yaptığınız işe iyi bakın ve sağduyunuzu kullanın. Yorgun olduğunuzda, alkol veya uyuşturucuların etkisi altında olduğunuzda, ya da ilaç alıyorsanız elektrikli aletinizi kullanmayın. Ciddi şekilde yaralanmanız için bir saniyelik dikkatsizliğin bile yeterli olduğunu asla unutmayın.
- Güvenlik tertibatları kullanın. Gözlerinizi daima koruyun. Koşullara göre, ciddi fiziksel yaralanma risklerini önlemek için aynı zamanda bir toz maskesi, kaymayı önleyen ayakkabılar, bir kask ya da kulak koruyucuları kullanın.
- Her tür istem dışı çalışmaya engel olun. Aletinizi bir prize takmadan veya bataryayı içine yerleştirmeden önce ve ayrıca aleti ele aldığınızda veya taşıdığınızda elektrik anahtarının «kapalı» konumunda olduğundan emin olun. Kaza risklerini önlemek için, parmağınız tetik düğmesindeyken aletinizin yerini değiştirmeyin ve elektrik anahtarı «açık» konumdayken aletinizi prize takmayın / içine bataryayı yerleştirmeyin.
- Aletinizi çalıştırmadan önce sıkma anahtarlarını çıkarın. Aletin hareket eden bir parçasına takılı kalan bir sıkma anahtarı, ciddi fiziksel yaralanmalara sebep olabilir.
- Dengenizi korumaya daima özen gösterin. Bacaklarınızın üzerinde iyice destek alın ve kolunuzu çok ileri uzatmayın. Dengeli bir çalışma pozisyonu, beklenmedik bir durumda aleti daha iyi kontrol edebilmeyi sağlar.
- Uygun giysiler giyin. Bol giysiler ya da takılar kullanmayın. Saçınızı ve giysilerinizi hareketli aksamdan uzak tutun. Bol giysiler, takılar ve uzun saçlar hareket halindeki parçalara yakalanabilir.
- Eğer aletinizle birlikte bir toz emici sistem sağlanmışsa, bu sistemin doğru şekilde monte edilmiş ve kullanılıyor olduğundan emin olun. Böylece kaza risklerini önlersiniz.
- Aletleri sık kullanmaktan edinilen aşinalığın sizi kayıtsızlığa ve alet güvenlik ilkelerini görmezden gelmeye yöneltmesine izin vermeyin. Dikkatsiz bir hareket saniyenin çok küçük bir bölümünde ciddi yaralanmaya neden olabilir.

ELEKTRİKLİ ALETLERİN KULLANIMI VE BAKIMI

- Aletinizi zorlamayın. Yapmak istediğiniz işe uygun olan aleti kullanın. Elektrikli aletinizi yapım amacına uygun motor hızında kullandığınızda, aletiniz daha verimli ve daha güvenli olacaktır.



- Elektrik anahtarını çalıştırılıp durdurulmasını sağlamayan bir elektrikli aleti kullanmayın. Düzgün şekilde açılıp kapatılmayan bir alet tehlikelidir ve mutlaka onarılmalıdır.
- Herhangi bir ayar yapmadan, aksesuar değiştirmeden ya da elektrikli aletleri depolamadan önce fişi güç kaynağından ayırın ve çıkarılabiliyorsa pil takımını çıkarın. Böylece aletin istem dışı çalışma risklerini azaltmış olursunuz.
- Elektrikli aletlerinizi, çocukların ulaşamayacağı yerlere kaldırın. Aleti tanımayan ya da güvenlik talimatlarını okumamış olan kişilerin aleti kullanılmasına izin vermeyin. Elektrikli aletler deneyimsiz kişilerin ellerinde tehlikelidir.
- Elektrikli alet ve aksesuarların bakımını yapın. Hareketli parçaların hizalanmasını kontrol edin. Hiçbir parçanın kırılmış olmadığını kontrol edin. Montajı ve aletin çalışmasını etkileyebilecek başka her tür parçayı kontrol edin. Hasar görmüş parçalar varsa, aletinizi kullanmadan önce tamir ettirin. Birçok kaza, aletlerin kötü bakımından kaynaklanmaktadır.
- Aletlerinizi temiz ve bilenmiş şekilde tutmaya özen gösterin. İyi bilenmiş ve temiz bir kesim aletinizin takılma riski azalır ve siz onu kontrol altında daha kolay tutabilirsiniz.
- Elektrikli aletinizi, aksesuarlarını, uçları, vs. kullanım koşullarını ve ayrıca arzu edilen uygulamaları dikkate alarak, bu kullanım talimatlarına uygun bir şekilde kullanın. Tehlikeli durumları önlemek için, elektrikli aletinizi sadece tasarımı amacına uygun işler için kullanın.
- Tutamakları ve kavrama yüzeylerini kuru, temiz ve yağdan arındırılmış tutun. Kaygan tutamak ve kavrama yüzeyleri beklenmedik durumlarda aletin güvenle kullanılıp kontrol edilmesine izin vermez.

KABLOSUZ ALETLERE ÖZGÜ GÜVENLİK TALİMATLARI

- Aletinizin bataryasını, sadece üretici tarafından belirtilmiş olan şarj aleti ile şarj edin. Belirli bir tip bataryaya uygun olan bir şarj aleti, başka tipte bir batarya ile kullanıldığında bir yangını tetikleyebilir.
- Kablosuz bir alet ile sadece özel bir tip batarya kullanılmalıdır. Başka türden herhangi bir bataryanın kullanılması bir yangına sebep olabilir.
- Batarya kullanılmadığı zaman, ataç, bozuk para, anahtar, vida, çivi gibi metal nesnelere ya da kutupların arasında temas oluşturabilecek başka her türlü nesneden uzak tutun. Batarya kutuplarının kısa devre yapması, yanıklara ya da yangınlara sebep olabilir.
- Bataryada aşırı bir kullanımdan dolayı sızıntı meydana gelmesi halinde, batarya sıvısı ile her türlü temastan kaçının. Böyle bir durum olursa, temas eden bölgeyi bol duru su ile durulayın. Gözlerinize temas etmesi durumunda, bir doktora da başvurun. Bir bataryadan fışkıran sıvı, tahrişlere ya da yanıklara sebep olabilir.
- Hasar görmüş ya da değişikliğe uğramış pil takımları ya da aletler kullanmayın. Hasar görmüş ya da değişikliğe uğramış pil takımları yangın, patlama veya yaralanma tehlikesiyle sonuçlanabilecek, önceden kestirilmez davranışlar gösterebilir.

- Bir pil takımını ya da aleti ateşe ya da aşırı ısıya maruz bırakmayın. Ateşe veya 130°C üzerinde ısıya maruz kalmak patlamaya neden olabilir.
- Bütün şarj talimatlarına uygun ve pil takımını veya aleti talimatlarda belirtilen ısı aralığının dışında şarj etmeyin. Uygunsuz ya da belirtilen ısı aralığının dışında şarj pile hasar verebilir ve yangın riskini artırabilir.

BAKIM

- Onarımlar, yetkili bir teknisyen tarafından ve yalnızca orijinal yedek parçalar kullanılarak yapılmalıdır. Böylece, elektrikli aletinizi tam güvenli bir şekilde kullanabilirsiniz.
- Hasar görmüş pil takımlarına asla bakım yapmayın. Pile takımlarının bakımı sadece üretici veya yetkili hizmet sağlayıcılar tarafından yapılmalıdır.

GENEL GÜVENLİK UYARILARI

⚠ UYARI

Bu ürünle birlikte sağlanan bütün güvenlik uyarı ve talimatlarını, çizim ve teknik özellikleri okuyun. Uyarılara ve talimatlara uymamak elektrik çarpması, yangın ve/veya ciddi yaralanma ile sonuçlanabilir.

⚠ UYARI

Bu ürünü kullanırken güvenlik kurallarına uyulmalıdır. Kendi güvenliğiniz ve çevrenizdeki kişilerin güvenliği için ürünü kullanmadan önce bu talimatları tamamen okumalı ve anlamalısınız. Lütfen bu talimatları daha sonra kullanmak üzere güvenli bir yerde saklayın.

⚠ UYARI

Bu ürün çocuklar veya fiziksel, zihinsel veya duyuusal becerileri kısıtlı kişiler tarafından kullanıma uygun değildir. Ürünle oynamadıklarından emin olmak için çocuklara uygun şekilde nezaret edilmelidir.

⚠ UYARI

Bazı bölgeler ürünün bazı çalışmalarda kullanımına kısıtlama getiren yönetmeliklere sahiptir. Tavsiye için bölgenizdeki yetkili mercie başvurun.

EĞİTİM

- Talimatları dikkatlice okuyun. Tüm kontrolleri ve makinenin nasıl doğru şekilde kullanılacağını öğrenin.
- Hiçbir zaman çocukların veya bu talimatları bilmeyen kişilerin ürünü kullanmasına izin vermeyin. Yerel yönetmelikler kullanıcının yaşına kısıtlama getirebilir.
- Çevrenizdeki kişileri, çocukları ve evcil hayvanları çalışma alanından 15 m uzaklaştırın. Eğer herhangi biri bu alana girerse ürünü durdurun.
- Ürünü hiçbir zaman yorgunken, hastayken veya alkol, uyuşturucu veya ilaç etkisi altındayken kullanmayın.
- Kazalardan ve diğer insanlara veya mallarına zarar verebilecek tehlikelerden kullanıcının sorumlu olduğunu unutmayın.



HAZIRLIK

- Bu ekipmanı kullanırken koruyucu gözlük ve kulak tıkacı takın. Eğer nesnelerin düşme riskinin bulunduğu bir alanda çalışıyorsanız kask takılmalıdır.
- Kulak tıkacı operatörün ikaz seslerini duyma becerisini kısıtlayabilir. Çalışma alanının çevresindeki ve içindeki potansiyel tehlikelere karşı dikkatli olun.
- Uzun ağır iş pantolonu, botu ve eldiveni giyin. Bol kıyafetler, kısa pantolon giymeyin, herhangi bir takı takmayın veya çıplak ayakla kullanmayın.
- Saçlarınız uzunsa hareketli parçalara dolaşmasını önlemek için omuz seviyesinin üzerinde toplayın.
- Her kullanım öncesi ve her hangi bir darbeden sonra hasarlı parça olmadığını kontrol edin. Arızalı bir anahtarın ya da hasarlı veya aşınmış herhangi bir parçanın yetkili bir servis tarafından gerektiği gibi onarılması ya da değiştirilmesi gerekir.
- Temizleme eklentisinin doğru monte edildiğinden ve güvenli biçimde tespit edildiğinden emin olun.
- Tüm korumalar, deflektörler ve tutamaklar düzgün ve güvenli şekilde takılmadan aska ürünü kullanmayın.
- Çalıştığınız ortama dikkat edin. Çalışma alanını tellere sıkışmaları halinde fırlatılabilecek tellerden, çubuklardan, taş ve atıklardan arındırın.

PİLLİ ALET KULLANIMI VE BAKIMI

- Sadece üretici tarafından belirtilen şarj cihazı ile şarj edin. Tek bir pil takımı tipine uygun bir şarj cihazı başka bir pil takımı ile birlikte kullanıldığında yangın riski oluşturabilir.
- Elektrikli aletleri sadece özel olarak belirtilmiş pil takımları ile birlikte kullanın. Başka bir pil takımı kullanmak yaralanma ve yangın riski oluşturabilir.
- Pil takımı kullanılmadığı zaman ataş, bozuk para, anahtar, çivi, vida ve diğer metal nesnelere gibi bir terminalden diğerine bağlantı oluşturabilecek diğer metal nesnelere uzak tutun. Pil terminallerinin birlikte kısa devre yapması yangına veya yangına neden olabilir.
- Kötü koşullarda pilden sıvı boşalabilir; temas etmekten kaçının. Eğer kazara temas ederseniz temas eden yeri suyla yıkayın. Eğer sıvı gözlerinize temas ederse ek olarak tıbbi yardım alın. Pilden boşalan sıvı tahrişe veya yanıklara neden olabilir.

KABLOSUZ AVLU TEMİZLEYİCİ GÜVENLİK UYARILARI

- Hiçbir zaman çocukların, fiziksel, duysal veya zihinsel becerileri kısıtlı veya tecrübesiz ve bilgisi yetersiz kişilerin veya bu talimatları bilmeyen insanların bu ürünü kullanmasına izin vermeyin.
- Ürünü gün ışığında ya da iyi yapay aydınlatmayla kullanın.
- Her zaman yere sağlam basın ve özellikle eğimli yerlerde bastığınız yere ve dengeye dikkat edin.
- Ürünü kullanırken geri geri yürümeyin.
- Yürüyün, hiçbir zaman koşmayın.
- Kafa bağlantısını göğüs hizasının altında tutun.
- Ürünü hasar görmüş korumalar varken ya da korumalar

olmadan asla kullanmayın.

- Ellerinizi ve ayaklarınızı her zaman, özellikle de motoru devreye alırken temizleme aksamının uzağında tutun.
- Ürünü hasar görmüş korumalar varken ya da korumalar olmadan asla kullanmayın.
- Kapatın ve pil takımını çıkarın. Tüm hareketli parçaların tamamen durduğundan emin olun:
 - servis yapmadan önce
 - ürünün yanından ayrılmadan önce
 - tıkanıklığı temizlemeden önce
 - ürünü kontrol etme, temizleme ve ürün üzerinde çalışmadan önce
 - aksesuarları değiştirmeden önce
 - yabancını bir nesneye çarptıktan sonra
 - bakım yapıldığı her zaman
 - eğer ürünler anormal şekilde titremeye başlarsa
- Bu ekipmanı kullanırken koruyucu gözlük ve kulak tıkacı takın. Eğer nesnelerin düşme riskinin bulunduğu bir alanda çalışıyorsanız kask takılmalıdır.
- Kulak tıkacı operatörün ikaz seslerini duyma becerisini kısıtlayabilir. Çalışma alanının çevresindeki ve içindeki potansiyel tehlikelere karşı dikkatli olun.
- Saçlarınız uzunsa hareketli parçalara dolaşmasını önlemek için omuz seviyesinin üzerinde toplayın.
- Havalandırma girişlerinin her zaman biriktirden arındırılmış hâlde tutulduğundan emin olun.
- Her kullanım öncesi ve her hangi bir darbeden sonra hasarlı parça olmadığını kontrol edin. Arızalı bir anahtarın ya da hasarlı veya aşınmış herhangi bir parçanın yetkili bir servis tarafından gerektiği gibi onarılması ya da değiştirilmesi gerekir.
- Üründe herhangi bir şekilde değişiklik yapmayın, bu sizin veya başkalarının yaralanma riskini artırabilir.
- Bir kaza ya da arıza durumunda derhal durdurun ve pil takımını çıkarın. Yetkili servis merkezi tarafından kontrol edilene dek ürünü tekrar çalıştırmayın.
- Gerçek operasyona başlamadan önce her zaman ürünü temizlenecek malzeme üzerinde deneyin.

PİL İÇİN EK GÜVENLİK UYARILARI

⚠ UYARI

Bir kısa devreden kaynaklanan yangın, yaralanma veya ürün hasarları tehlikesini önlemek için aleti, güç paketini veya şarj cihazını asla sıvıların içine daldırmayınız ve cihazların ve pillerin içine sıvı girmesini önleyiniz. Tuzlu su, belirli kimyasallar, ağartıcı madde veya ağartıcı madde içeren ürünler gibi korozif veya iletken sıvılar kısa devreye neden olabilir.

TAŞIMA VE DEPOLAMA

- Depolama ya da nakliyeden önce ürünü durdurun, pilini çıkarın ve soğumasını sağlayın
- Üründeki tüm yabancı maddeleri temizleyin.
- Ürünü pilleri takılıken depolamayın ya da taşımayın; çıkarıp ayrı bir yerde emniyete alın. Çocukların

erişemeyeceği serin, kuru ve iyi havalandırılan bir yerde depolayın. Bahçe kimyasalları ve buz çözücü tuzlar gibi korozif maddelerden uzak tutun. Açık alanda depolamayın.

- Ürünü çocukların erişim alanının dışında muhafaza edin.
- Taşınacağı zaman insanların yaralanmasını veya ürünün zarar görmesini önlemek amacıyla ürünü hareket etmemesi veya düşmemesi için sabitleyin.

LİTYUM BATARYALARIN TAŞINMASI

Bataryayı yerel ve ulusal hükümlere ve yönetmeliklere uygun şekilde taşıyın. Bataryalar üçüncü bir şahıs tarafından taşındığında ambalaj ve etiket üzerindeki tüm özel koşullara uyun.

Açıktaki konektörleri yalıtkan, iletken olmayan başlıklar veya bant ile koruyarak hiçbir bataryanın taşıma sırasında diğer bataryalarla veya iletken malzemelerle temas etmediğinden emin olun. Çatlak veya sızdıran bataryaları taşımayın. Ek tavsiye için nakliye şirketi ile birlikte kontrol edin.

BAKIM

⚠ UYARI

Sadece orijinal üreticinin yedek parçalarını, aksesuarlarını ve ek parçalarını kullanın. Aksine davranış olası yaralanmaya yol açabilir, yetersiz performansa neden olabilir ve garantinizin geçersiz olmasıyla sonuçlanabilir.

⚠ UYARI

Servis çalışması en yüksek düzeyde dikkat ve bilgi gerektirir ve sadece nitelikli bir servis teknisyeni tarafından yapılmalıdır. Ürünün servis işlemlerini sadece yetkili bir servis merkezinde yaptırın. Servis yapılırken sadece aynı yedek parçaları kullanın.

- Herhangi bir bakım ya da temizlik işleminden önce ürünü durdurun ve pil takımını çıkarın.
- Sadece bu kılavuzda açıklandığı şekilde ayar veya onarım yapabilirsiniz. Diğer onarımlar için yetkili servis temsilcisini arayın.
- Ürünün güvenli çalışma durumunda olduğundan emin olmak için tüm somunların, civataların ve vidaların doğru sıklıkta sık aralıklarla takıldığını kontrol edin. Hasarlı her tür parça yetkili servis merkezi tarafından uygun şekilde onarılmalı veya değiştirilmelidir.
- Zarar görmüş veya okunmaz durumdaki etiketleri değiştirmek için yetkili bir servis merkezine gönderin.

ARTIK RİSKLER

Ürün belirtilen şekilde kullanıldığında bile belirli artık risk faktörlerini tamamen ortadan kaldırmak mümkün değildir. Kullanım sırasında aşağıdaki tehlikeler ortaya çıkabilir ve kullanıcının aşağıdaki durumları önlemek için özellikle dikkatli olması gerekir:

- Titreşim nedeniyle yaralanma.

- Ürünü belirtilen tutamaklardan tutun ve ürünle çalışma ve ürüne maruz kalma süresini kısa tutun.
- Gürültüye maruz kalma nedeniyle işitme kaybı meydana gelebilir.
 - İşitme koruması kullanın ve maruz kalma süresini kısıtlayın.
- Uçan döküntülerden kaynaklanan yaralanma.
 - Her zaman uygun kulak tıkacı takın.

RİSK AZALTMA

El aletlerinden kaynaklanan titreşimlerin belirli kişilerde Raynaud Sendromu adı verilen bir durumu etkilediği bildirilmiştir. Semptomlar içerisinde parmaklarda genellikle soğuğa maruz kaldığında açığa çıkan karıncalanma, hissizlik ve ağarma yer bulunabilir. Kalıtsal faktörler, soğuğa ve neme maruz kalma, diyet, sigara içme ve çalışma uygulamalarının hepsinin bu semptomların gelişimini etkilediği düşünülmektedir. Titreşim etkilerini azaltmak için kullanıcı tarafından alınabilecek önlemler vardır:

- Soğuk havada vücut ısınızı koruyun. Ürünü kullanırken ellerinizi ve bileklerinizi sıcak tutmak için eldiven giyin. Soğuk havanın Raynaud Sendromu'nu etkileyen önemli bir faktör olduğu bildirilmiştir.
- Her kullanım süresinden sonra kan dolaşımını artırmak için egzersiz yapın.
- Sık çalışma molası verin. Günlük maruz kalma miktarını sınırlayın.

Eğer bu durumla ilgili herhangi bir semptom görürseniz çalışmayı derhal bırakın ve doktorunuza başvurun.

⚠ UYARI

Ürünün uzun süre kullanılması nedeniyle yaralanmalar meydana gelebilir veya kötüleşebilir. Herhangi bir alet uzun süre kullanıldığında düzenli molalar verdiğinizden emin olun.

ÜRÜNÜZÜ TANIYIN

Bkz. sayfa 138.

Parçalar

1. Kilit tetiği
2. Tetik
3. Tel fırça
4. Tekerlek
5. Rulo fırça tertibatı
6. Rulo fırça
7. Şarj cihazı
8. PİL mandalı
9. PİL
10. Eklenti değiştirme düğmesi
11. Teleskop mandalı
12. Topuz
13. Kulp

ÜRÜN ÜZERİNDEKİ SEMBOLLER



Ürünü kullanmadan önce tüm talimatları okuyun ve anlayın, tüm uyarılara ve güvenlik talimatlarına uyun.



Koruyucu gözlük takın



Kulak tıkacı takın



Koruyucu eldiven kullanın



Ürünü kullanırken kaymaz güvenlik ayakkabısı giyin.



Ürünü yağmura veya nemli koşullara maruz bırakmayın.



Fırlayan ve sıçrayan nesnelere dikkat edin. Üçüncü şahısları, özellikle çocukları ve evcil hayvanları çalışma alanından en az 15 m uzakta tutun.



Ellerinizi uzak tutun



Atık elektrikli ürünler evsel atıklarla birlikte atılmamalıdır. Lütfen tesislerin mevcut olduğu yerlerde geri dönüştürün. Geri dönüşüm tavsiyesi için bölgenizdeki yetkili mercie veya satıcıya başvurun.



Ürünün satın alındığı AB ülkesindeki tüm düzenleyici standartlara uygundur.

EurAsian Uygunluk İşareti



Ukrayna uygunluk işareti.

001

BU KILAVUZDAKİ SEMBOLLER



Ayrı satılan parçalar veya aksesuarlar



Not



Uyari

Aşağıdaki işaret sözcükler ve anlamları bu ürünle ilişkili risk seviyelerinin açıklanmasına yöneliktir:

 TEHLİKE

Önlenmemesi durumunda ölüm veya ciddi yaralanma ile sonuçlanacak ciddi tehlike içeren bir durumu gösterir.

 UYARI

Önlenmemesi durumunda ölüm veya ciddi yaralanma ile sonuçlanabilecek potansiyel olarak tehlikeli bir durumu gösterir.

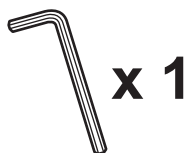
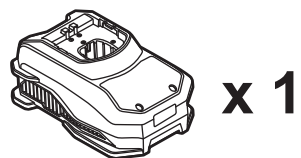
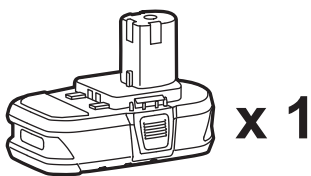
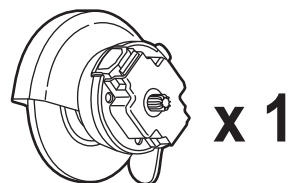
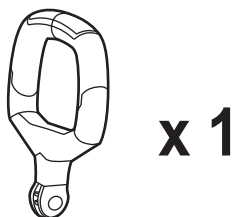
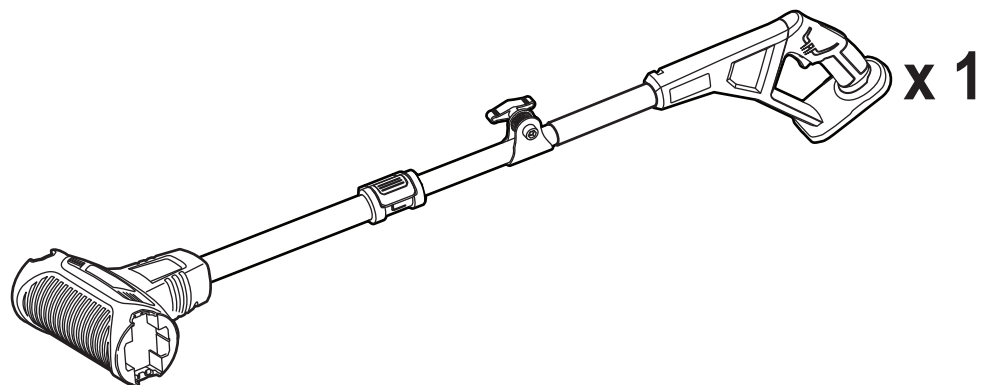
 İKAZ

Önlenmemesi durumunda önemsiz veya orta derece yaralanma ile sonuçlanabilecek potansiyel olarak tehlikeli bir durumu gösterir.

İKAZ

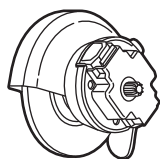
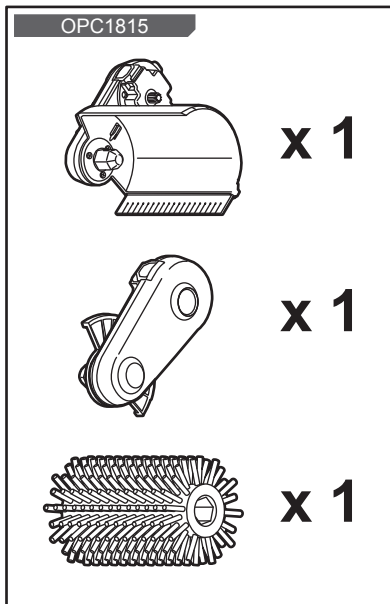
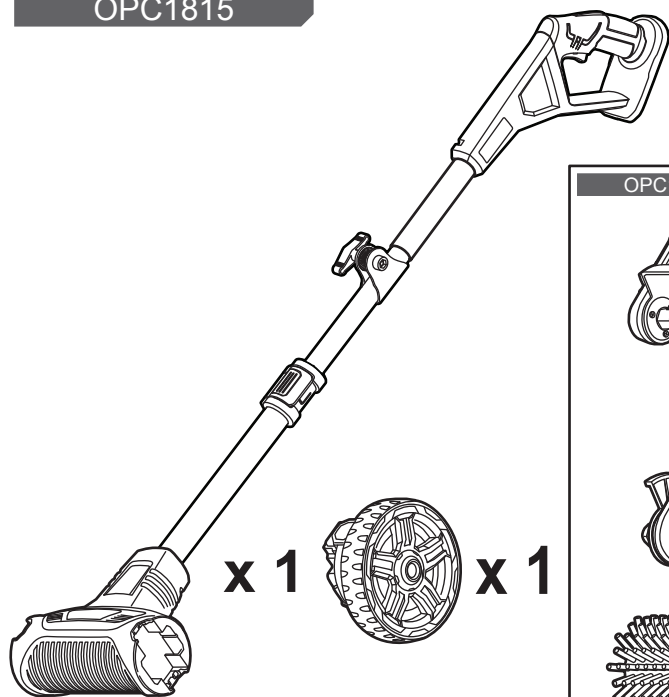
(Güvenlik Uyarısı Sembolü Olmadığında) Maddi hasarla sonuçlanabilecek bir durumu gösterir.

RPC180020S



OPC1800

OPC1815



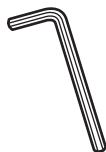
x 1



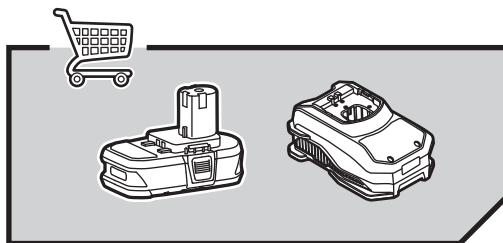
x 1

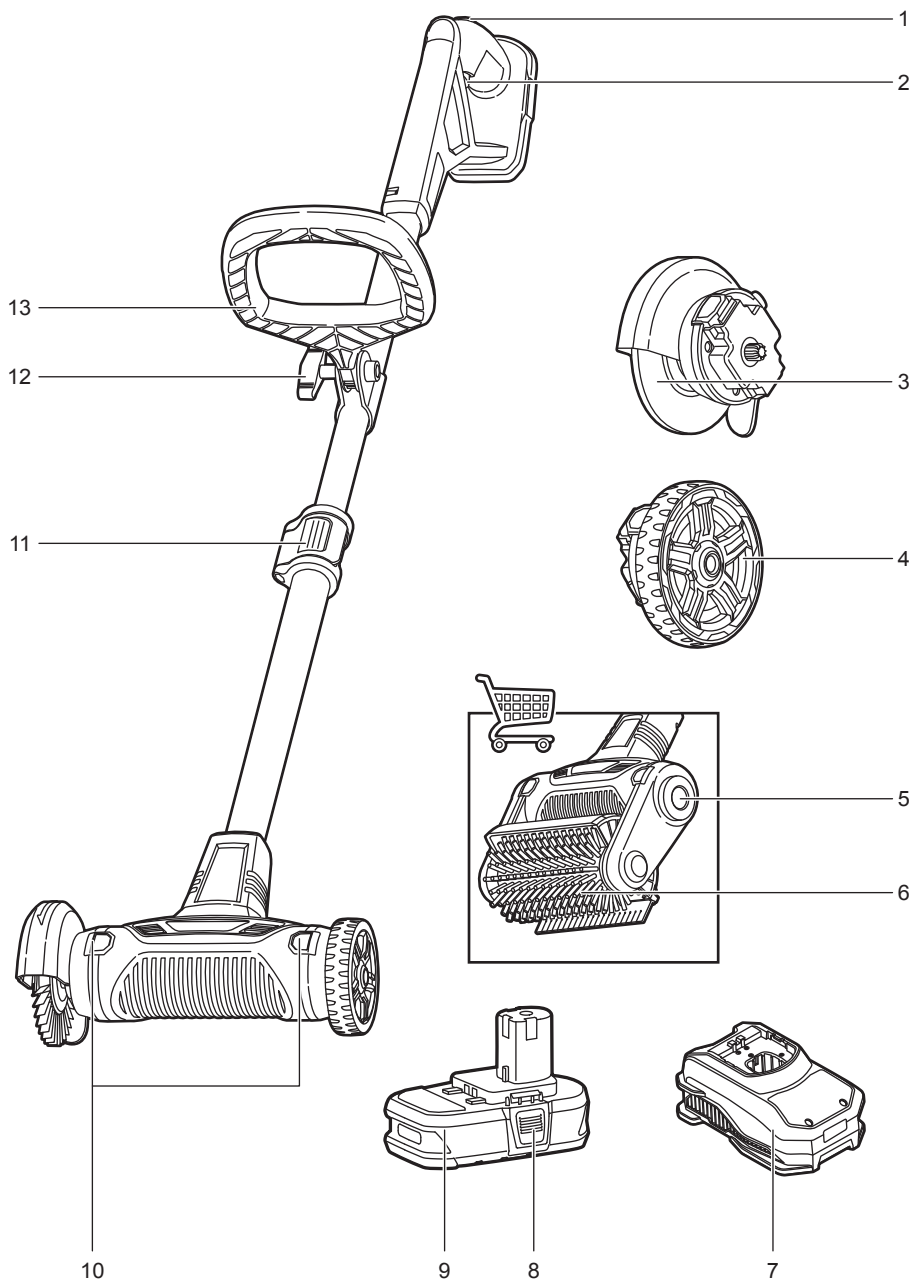


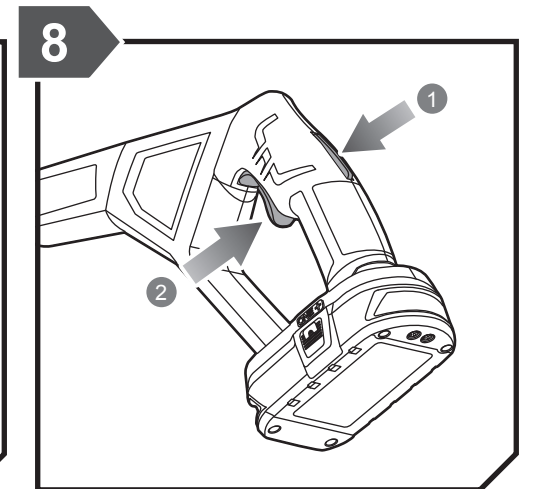
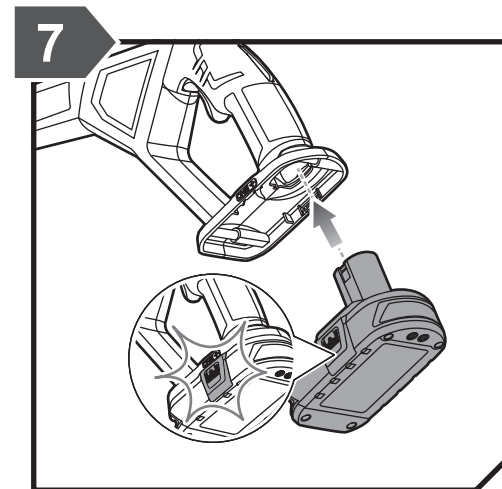
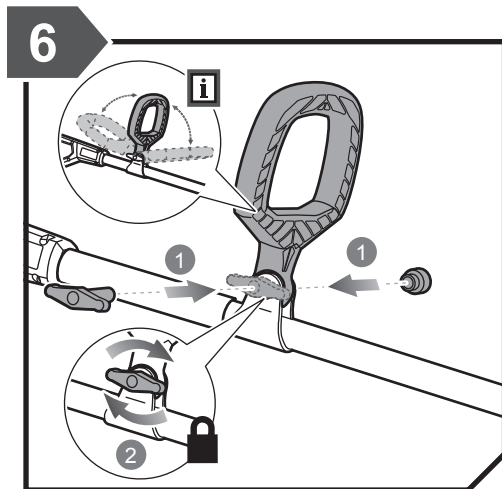
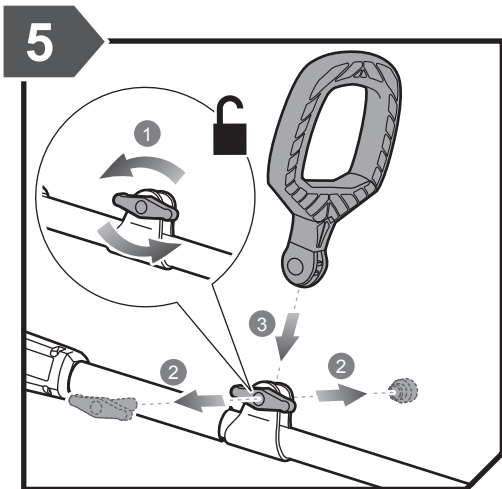
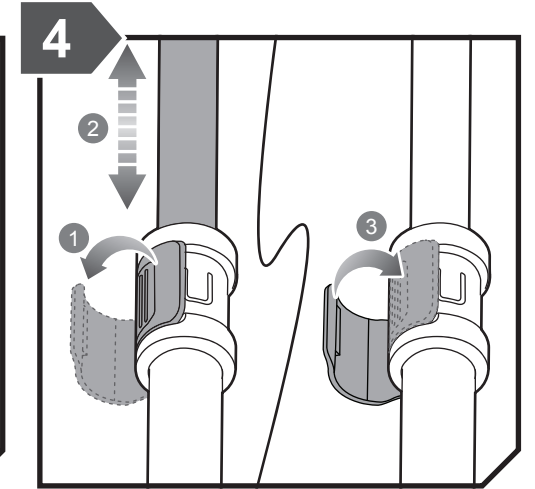
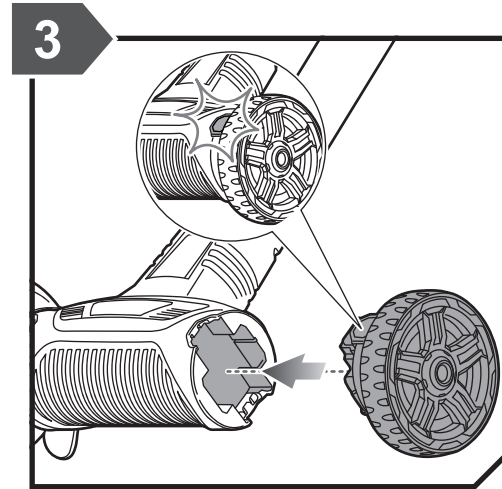
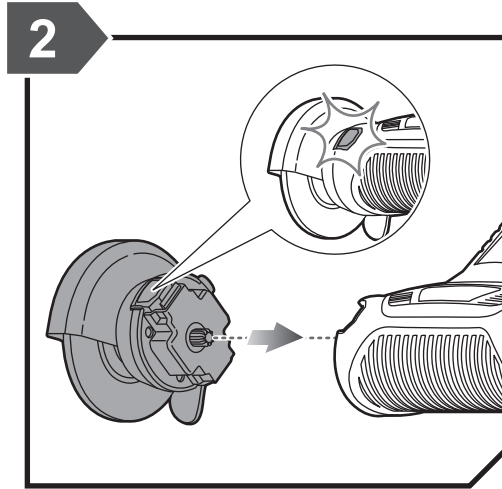
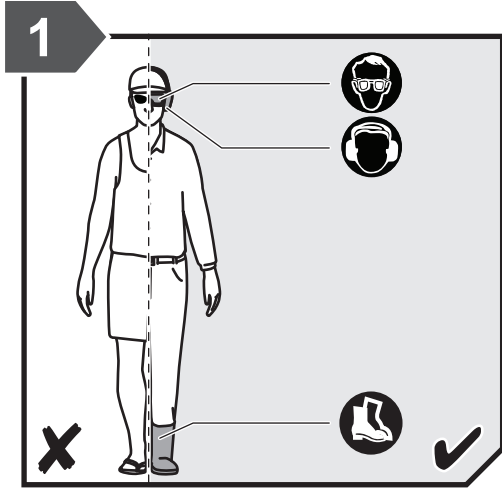
x 1



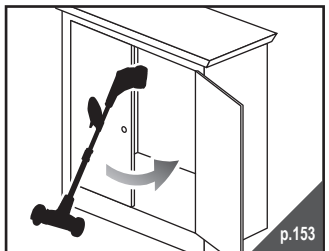
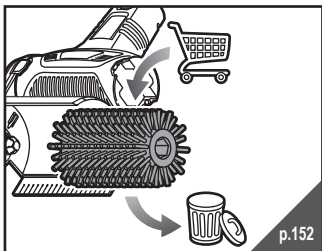
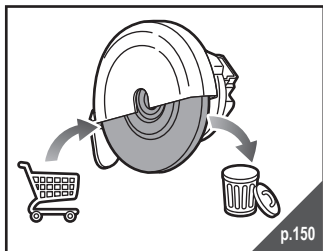
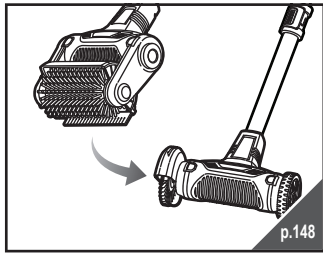
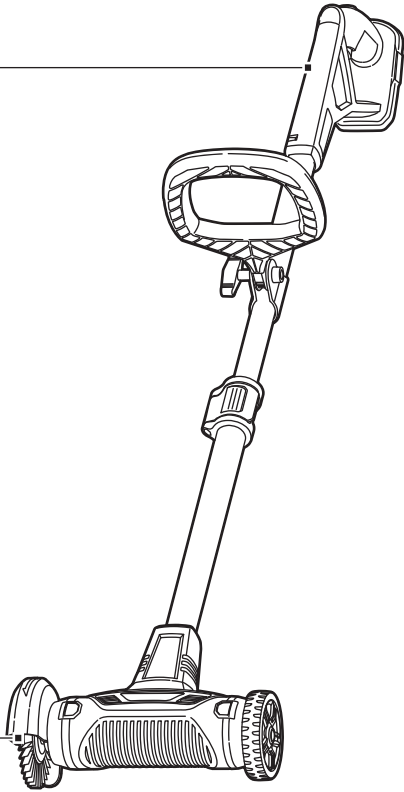
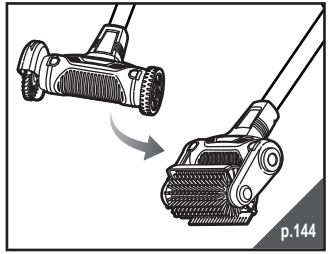
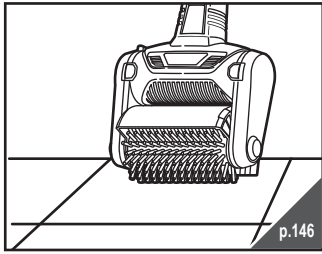
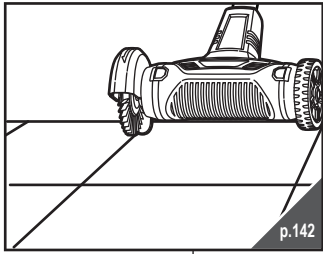
x 1

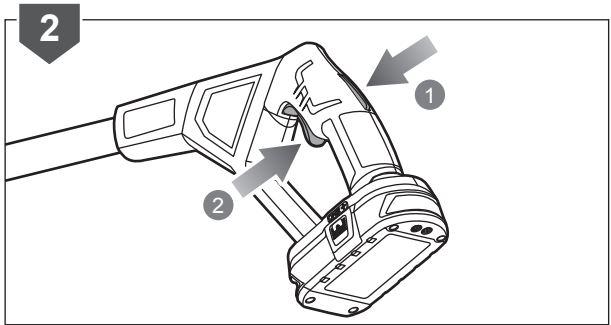
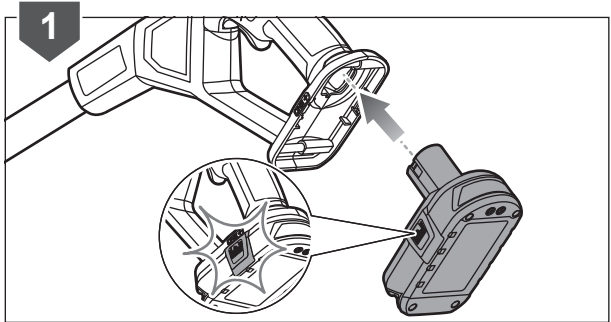
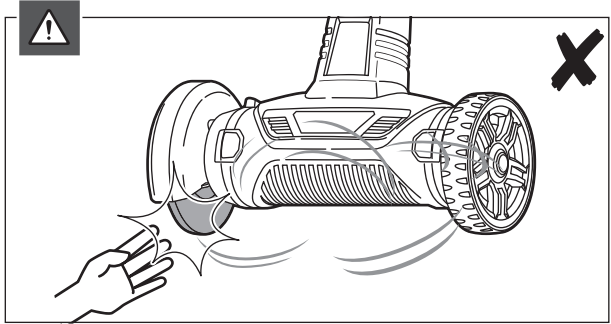
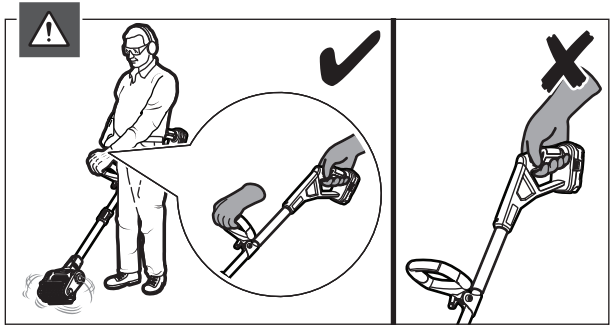
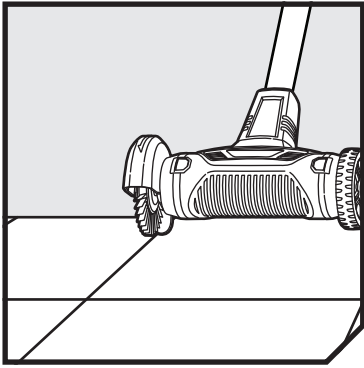


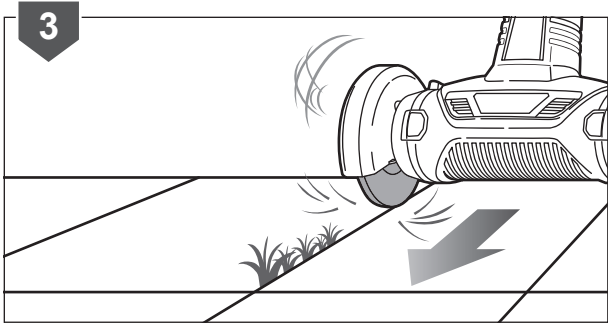


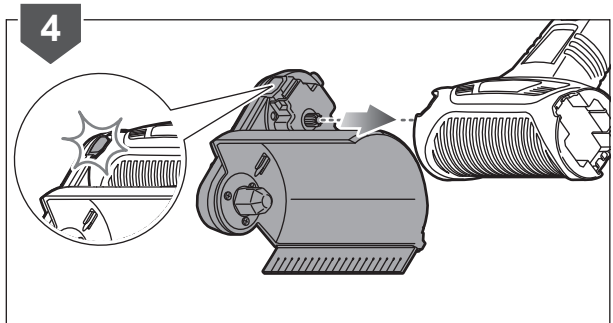
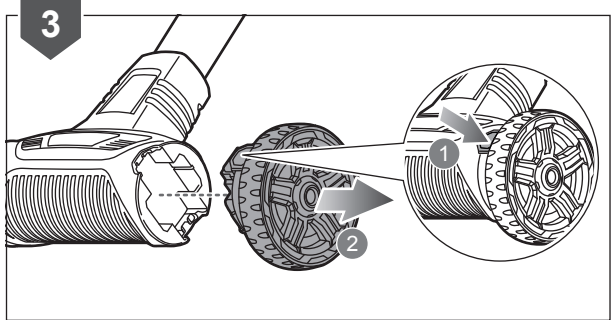
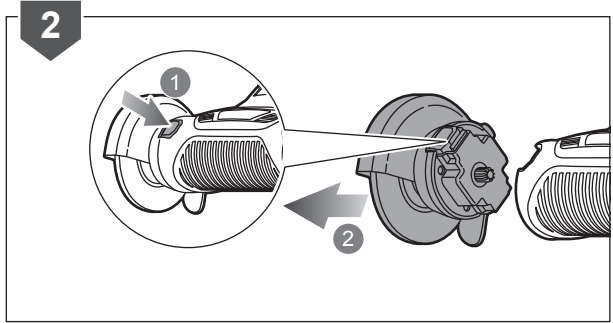
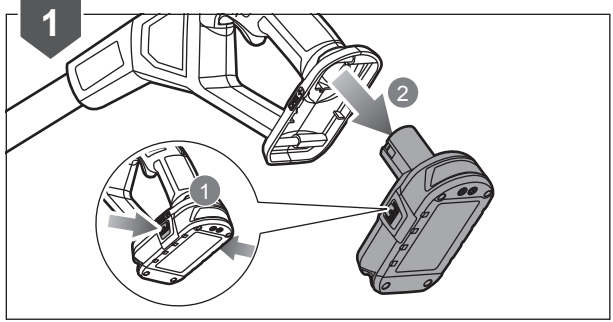
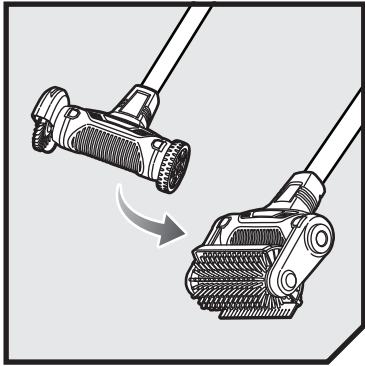




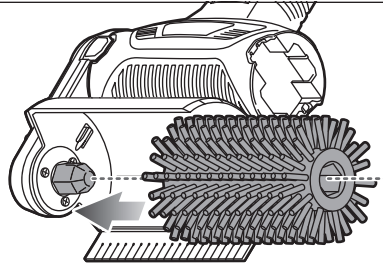




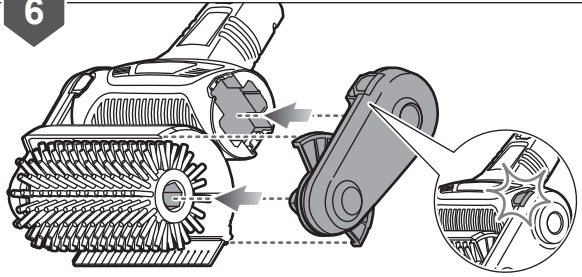


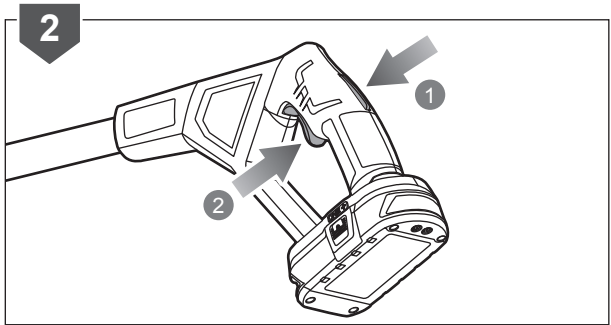
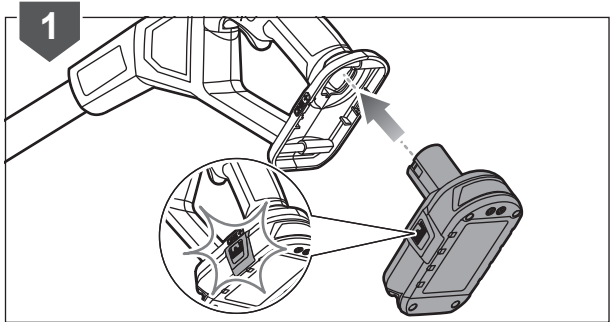
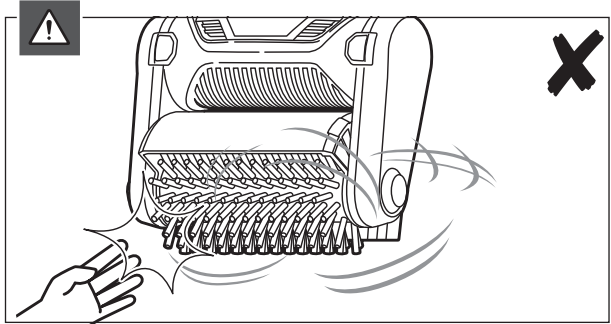
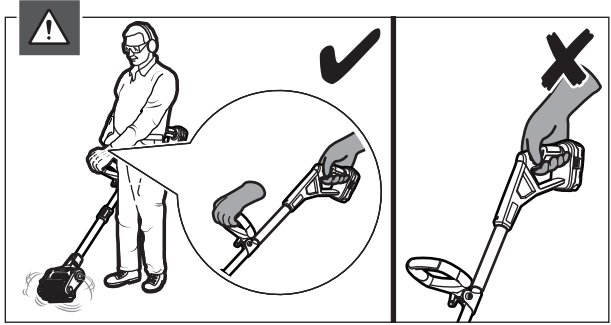
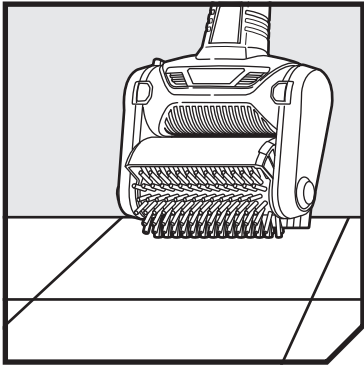


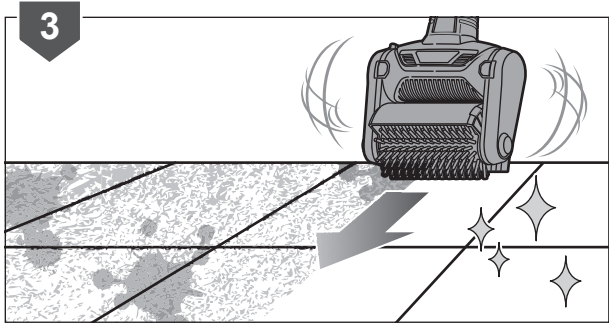
5

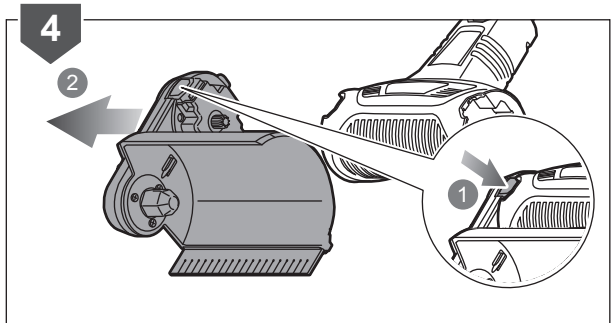
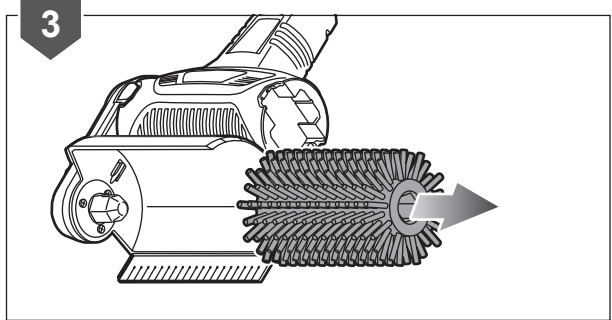
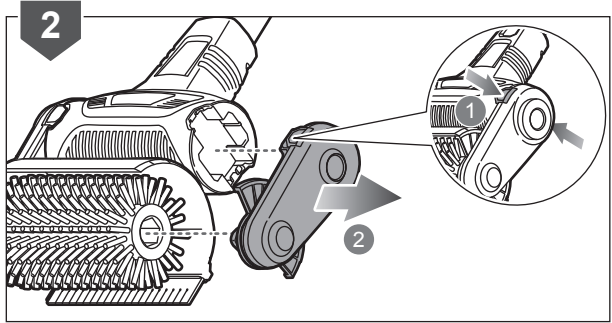
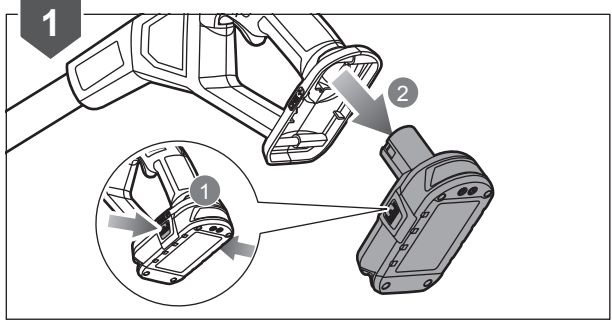
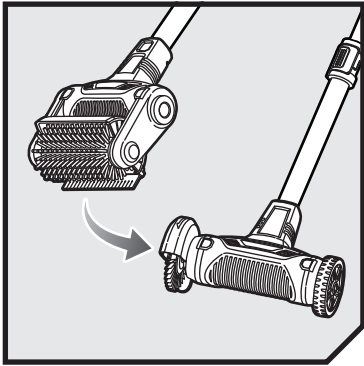


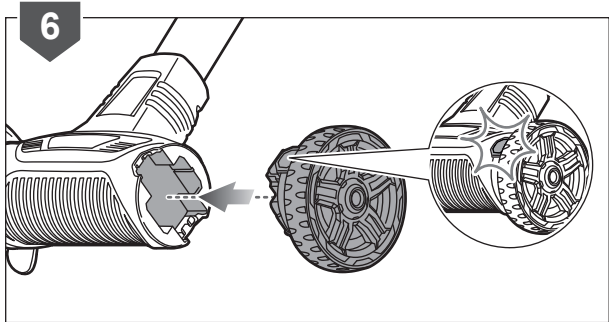
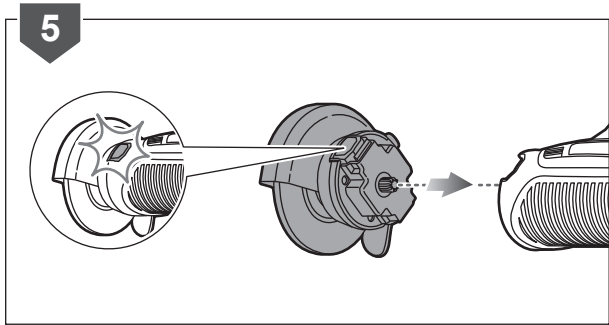
6

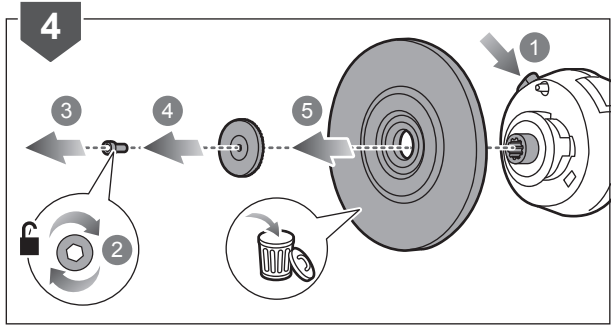
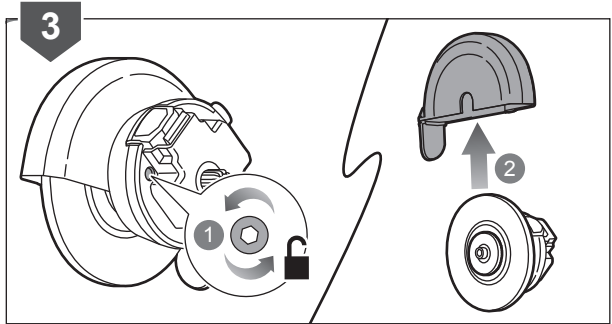
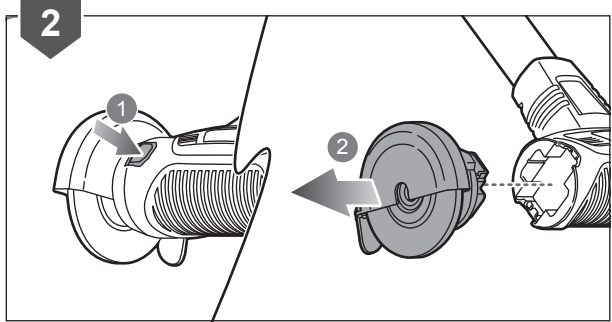
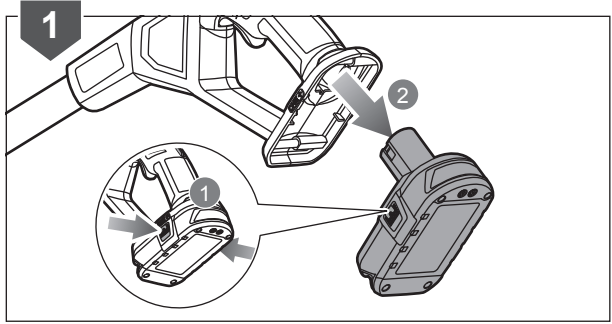
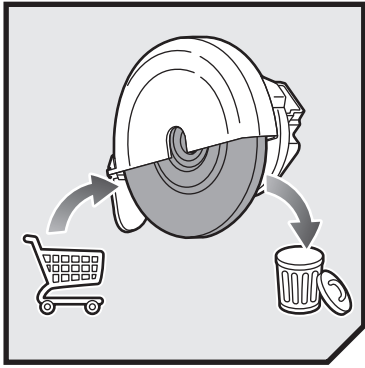


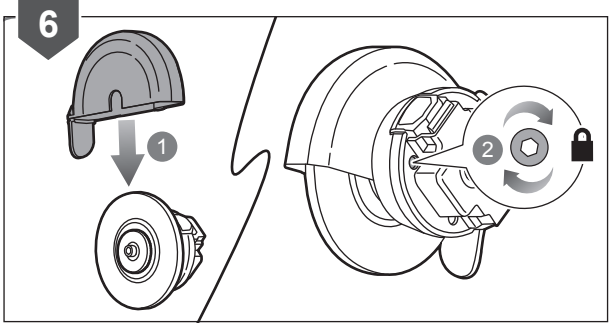
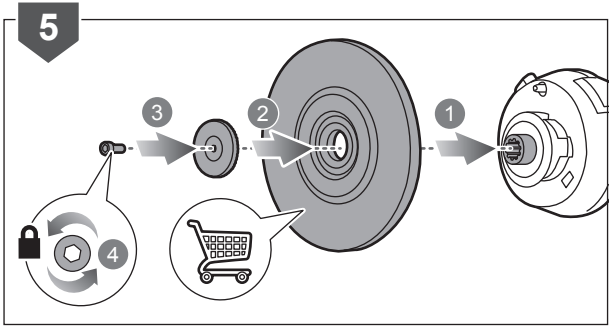


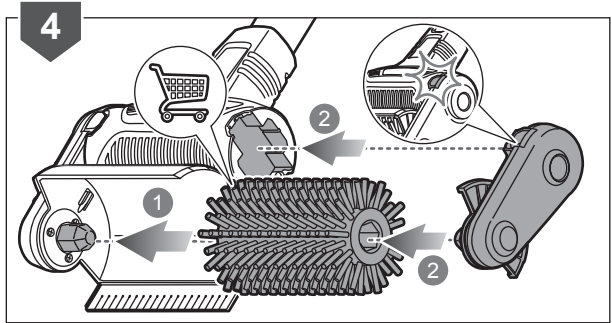
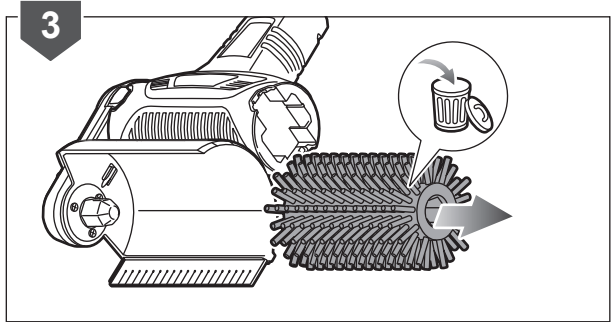
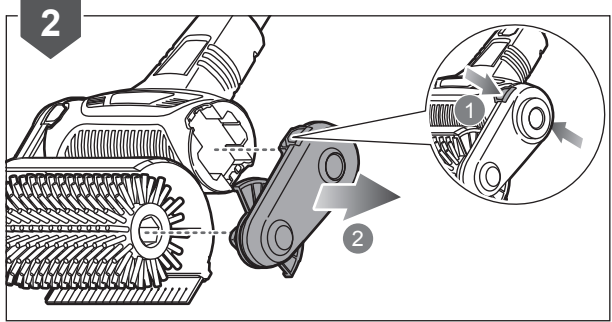
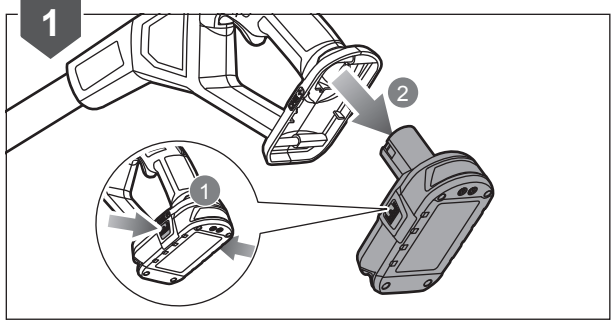
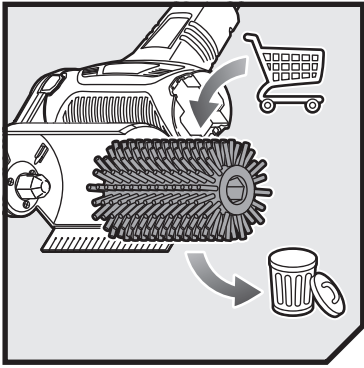


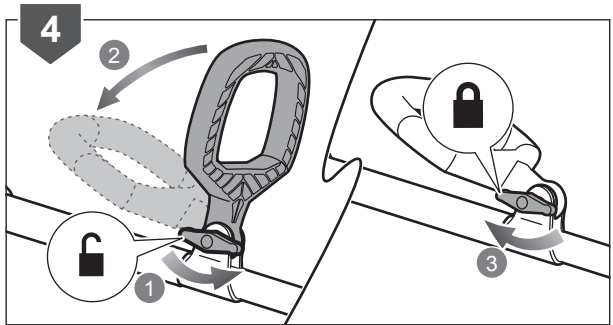
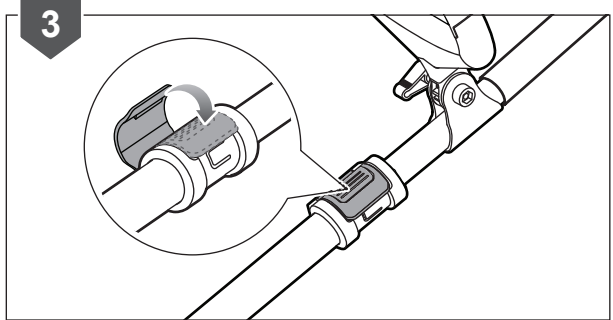
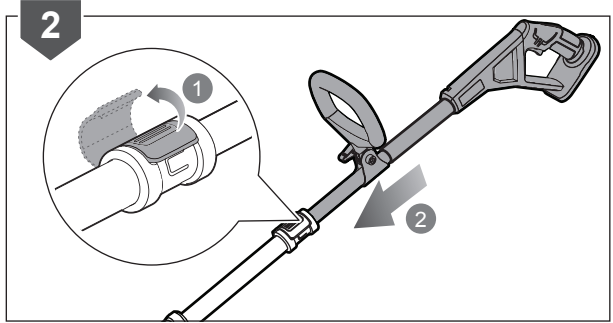
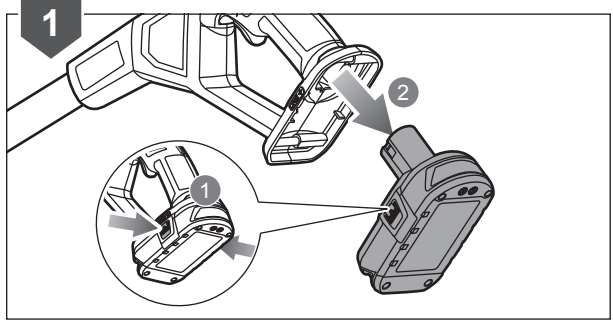
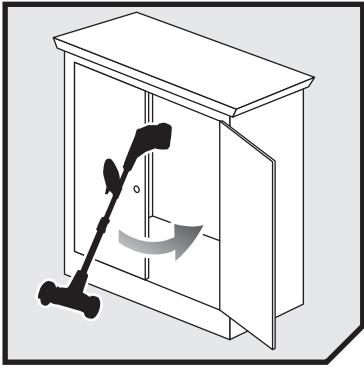


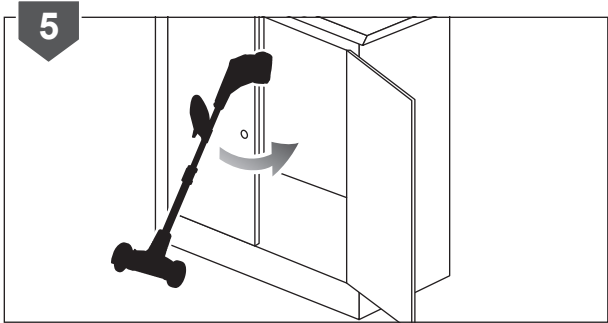
















English	Français	Deutsch	Español	Italiano
Product specifications	Caractéristiques produit	Produkt-Spezifikationen	Características del producto	Caratteristiche del prodotto
Cordless Patio Cleaner	Nettoyeur de surfaces sans fil	Akku-Flächenreiniger	Limpiador de patios inalámbrico	Pulitore per cortile senza fili
Model	Modèle	Modell	Modelo	Modello
Voltage	Tension	Elektrische Spannung	Tensión	Voltaggio
Speed	Vitesse	Geschwindigkeit	Velocidad	Velocità
- With wire brush attachment	avec brosse métallique	mit Drahtbürstenzubehör	con accesorio de cepillo metálico	con attacco per spazzola metallica
- With roller brush attachment	avec brosse rotative	mit Walzenbürstenzubehör	con accesorio de cepillo de rodillo	con attacco per spazzola a rulli
Wire Brush	Brosse métallique	Drahtbürste	Cepillo metálico	Spazzola metallica
- Diameter	Diamètre	Durchmesser	Diámetro	Diametro
Roller brush	Brosse rotative	Walzenbürste	Cepillo de rodillo	Spazzola a rulli
- Length	Longueur	Länge	Longitud	Lunghezza
- Diameter	Diamètre	Durchmesser	Diámetro	Diametro
Weight	Poids	Gewicht	Peso	Peso
- Without battery pack (with wire brush attachment)	Sans batterie (avec brosse métallique)	Ohne Akku (mit Drahtbürstenzubehör)	Sin batería (con accesorio de cepillo metálico)	Senza batteria (con attacco per spazzola metallica)
- Without battery pack (with roller brush attachment)	Sans batterie (avec brosse rotative)	Ohne Akku (mit Walzenbürstenzubehör)	Sin batería (con accesorio de cepillo de rodillo)	Senza batteria (con attacco per spazzola a rulli)
- With roller brush attachment and 2.0 Ah battery pack	Avec brosse rotative et bloc-batterie de 2,0 Ah	Mit Drahtbürstenzubehör und 2,0Ah Batteriepack	Con accesorio de cepillo de rodillo y batería de 2,0 Ah	Con attacco per spazzola a rulli e pacco batteria da 2.0Ah
- With wire brush attachment and 2.0 Ah battery pack	Avec brosse métallique et bloc-batterie de 2,0 Ah	Mit Walzenbürstenzubehör und 2,0Ah Batteriepack	Con accesorio de cepillo metálico y batería de 2,0 Ah	Con attacco per spazzola metallica e pacco batteria da 2.0Ah
- With heaviest pack and accessory	Avec bloc-batterie et accessoire les plus lourds	Mit der schwersten Batterie und Zubehör	Con el paquete más pesado y el accesorio	Con il pacchetto e l'accessorio più pesante
Wire brush	Brosse métallique	Drahtbürste	Cepillo metálico	Spazzola metallica
Vibration level (in accordance with EN 786:1996+A2:2009 Annex D)	Niveau de vibration (selon l'Annexe D de la norme EN 786:1996+A2:2009)	Vibrationsgrad (gemäß Anhang D von EN 786:1996+A2:2009)	Nivel de vibración (de acuerdo con el Anexo D de EN 786:1996+A2:200)	Livello vibrazioni (secondo quanto disposto dall'Allegato D della Direttiva EN 786:1996+A2:2009)
Uncertainty	Incertitude	Unsicherheit	Incertidumbre	Incertezza
Noise emission level (in accordance with EN 786:1996+A2:2009 Annex E)	Niveau de vibration (selon l'Annexe E de la norme EN 86:1996+A2:2009)	Geräuschemission (gemäß Anhang E von EN 786:1996+A2:2009)	Nivel de emisión de ruido (de acuerdo con el Anexo E de EN 786:1996+A2:2009)	Livello di emissione rumore (secondo quanto disposto dall'Allegato E della Direttiva EN 786:1996+A2:2009)
A-weighted sound pressure level at the operator's position	Niveau de pression sonore pondéré-A au niveau de l'opérateur	A-bewerteter Schalldruckpegel an der Position des Anwenders	Nivel de presión sonora ponderado A en la posición del operario	Livello di pressione sonora pesato A alla posizione dell'operatore
Uncertainty of measurement	Incertitude de la mesure	Unsicherheit der Messung	Incertidumbre de medición	Incertezza delle misurazioni
A-weighted sound power level	Niveau de puissance sonore pondéré-A	A-bewerteter Schalleistungspegel	Nivel de potencia acústica ponderada en A	Livello di potenza sonora pesato A
Uncertainty of measurement	Incertitude de la mesure	Unsicherheit der Messung	Incertidumbre de medición	Incertezza delle misurazioni
Roller brush	Brosse rotative	Walzenbürste	Cepillo de rodillo	Spazzola a rulli
Vibration level (in accordance with EN 786:1996+A2:2009 Annex D)	Niveau de vibration (selon l'Annexe D de la norme EN 786:1996+A2:2009)	Vibrationsgrad (gemäß Anhang D von EN 786:1996+A2:2009)	Nivel de vibración (de acuerdo con el Anexo D de EN 786:1996+A2:200)	Livello vibrazioni (secondo quanto disposto dall'Allegato D della Direttiva EN 786:1996+A2:2009)
Uncertainty	Incertitude	Unsicherheit	Incertidumbre	Incertezza
Noise emission level (in accordance with EN 786:1996+A2:2009 Annex E)	Niveau de vibration (selon l'Annexe E de la norme EN 86:1996+A2:2009)	Geräuschemission (gemäß Anhang E von EN 786:1996+A2:2009)	Nivel de emisión de ruido (de acuerdo con el Anexo E de EN 786:1996+A2:2009)	Livello di emissione rumore (secondo quanto disposto dall'Allegato E della Direttiva EN 786:1996+A2:2009)
A-weighted sound pressure level at the operator's position	Niveau de pression sonore pondéré-A au niveau de l'opérateur	A-bewerteter Schalldruckpegel an der Position des Anwenders	Nivel de presión sonora ponderado A en la posición del operario	Livello di pressione sonora pesato A alla posizione dell'operatore
Uncertainty of measurement	Incertitude de la mesure	Unsicherheit der Messung	Incertidumbre de medición	Incertezza delle misurazioni
A-weighted sound power level	Niveau de puissance sonore pondéré-A	A-bewerteter Schalleistungspegel	Nivel de potencia acústica ponderada en A	Livello di potenza sonora pesato A
Uncertainty of measurement	Incertitude de la mesure	Unsicherheit der Messung	Incertidumbre de medición	Incertezza delle misurazioni





Nederlands	Português	Dansk	Svenska	
Productgegevens	Características do aparelho	Produktspecifikationer	Produktspecifikationer	
Draadloze terrasreiniger	Equipamento de limpeza de pátios sem fios	Ledningsfri terrasserenser	Sladdlös borstrengörare	
Model	Modelo	Model	Modell	OPC1800/OPC1815/ RPC180020S
Spanning	Voltagem	Spænding	Spänning	18 V
Snelheid	Velocidade	Hastighed	Hastighet	
met staalborstel-hulpstuk	com acessório de escova de arame	med stålborsteudstyr	med tillbehör till stålborste	1350± 10% rpm
met rolborstel-hulpstuk	com acessório de escova cilíndrica	med rullebørsteudstyr	med tillbehör till rullborste	940 ± 10% rpm
Staalborstel	Escova de arame	Stålbørste	Stålbørste	
Diameter	Diâmetro	Diameter	Durchmesser	115 mm
Rolborstel	Escova cilíndrica	Rullebørste	Rullborste	
Lengte	Comprimento	Længde	Längd	162 mm
Diameter	Diâmetro	Diameter	Durchmesser	102 mm
Peso	Peso	Vikt	Vægt	
Zonder accupak (met staalborstel-hulpstuk)	Sem bateria (com acessório de escova de arame)	Ingen batteri (med stålborsteudstyr)	Utan batteri (med tillbehör till stålborste)	2,8 kg
Zonder accupak (met rolborstel-hulpstuk)	Sem bateria (com acessório de escova cilíndrica)	Ingen batteri (med rullebørsteudstyr)	Utan batteri (med tillbehör till rullborste)	3,5 kg
Met rolborstel-hulpstuk en accu van 2,0 Ah	Com acessório de escova cilíndrica e bateria de 2,0 Ah	Med rullebørsteudstyr og 2,0 Ah batteripakke	Med tillbehör till rullborste och batteripaket på 2,0 Ah	4,0 kg
Met staalborstel-hulpstuk en accu van 2,0 Ah	Com acessório de escova de arame e bateria de 2,0 Ah	Med stålborsteudstyr og 2,0 Ah batteripakke	Med tillbehör till stålborste och batteripaket på 2,0 Ah	3,2 kg
Met zwaarste verpakking en accessoire	Com a bateria e os acessórios mais pesados	Med tungeste pakke og tilbehør	Med tyngsta paket och tillbehör	4,7 kg
Staalborstel	Escova de arame	Stålbørste	Stålbørste	
Trillingsniveau (in overeenstemming met bijlage D van EN 786:1996+A2:2009)	Nível de vibração (em conformidade com o Anexo D de EN 786:1996+A2:2009)	Vibrationsniveau (iht. bilag D til EN 786:1996+A2:2009)	Vibrationsnivå (enligt Annex D i EN 786:1996+A2:2009)	ah = 1,6 m/s ²
Onzekerheid	Incerteza	Usikkerhed	Osäkerhet	K = 1,5 m/s ²
Geluidemissieniveau (in overeenstemming met bijlage E van EN 786:1996+A2:2009)	Nível de emissão de ruído (em conformidade com o Anexo E de EN 786:1996+A2:2009)	Støjemissionsniveau (iht. bilag D til EN 86:1996+A2:2009)	Bullerutsläppsnivå (enligt Annex E i EN 786:1996+A2:2009)	
A-gewogen geluidsdrukniveau op de plaats van de bediener	Nível de pressão sonora ponderado A na posição do operador	A-vægtet lydtryksniveau ved operatørens position	A-viktad ljudtrycksnivå vid operatörsplats	L _{pA} = 69 dB(A)
Onzekerheid bij meting	Incerteza de medições	Målingsusikkerhed	Osäkerhet för mätt	K = 3 dB(A)
A-gewogen geluidsniveau	Nível de potência sonora ponderada A	A-vægtet lydeffektniveau	A-vägd ljudeffektsnivå	L _{WA} = 84 dB(A)
Onzekerheid bij meting	Incerteza de medições	Målingsusikkerhed	Osäkerhet för mätt	K = 3 dB(A)
Rolborstel	Escova cilíndrica	Rullebørste	Rullborste	
Trillingsniveau (in overeenstemming met bijlage D van EN 786:1996+A2:2009)	Nível de vibração (em conformidade com o Anexo D de EN 786:1996+A2:2009)	Vibrationsniveau (iht. bilag D til EN 786:1996+A2:2009)	Vibrationsnivå (enligt Annex D i EN 786:1996+A2:2009)	ah = 1,2 m/s ²
Onzekerheid	Incerteza	Usikkerhed	Osäkerhet	K = 1,5 m/s ²
Geluidemissieniveau (in overeenstemming met bijlage E van EN 786:1996+A2:2009)	Nível de emissão de ruído (em conformidade com o Anexo E de EN 786:1996+A2:2009)	Støjemissionsniveau (iht. bilag D til EN 86:1996+A2:2009)	Bullerutsläppsnivå (enligt Annex E i EN 786:1996+A2:2009)	
A-gewogen geluidsdrukniveau op de plaats van de bediener	Nível de pressão sonora ponderado A na posição do operador	A-vægtet lydtryksniveau ved operatørens position	A-viktad ljudtrycksnivå vid operatörsplats	L _{pA} = 73 dB(A)
Onzekerheid bij meting	Incerteza de medições	Målingsusikkerhed	Osäkerhet för mätt	K = 3 dB(A)
A-gewogen geluidsniveau	Nível de potência sonora ponderada A	A-vægtet lydeffektniveau	A-vägd ljudeffektsnivå	L _{WA} = 89 dB(A)
Onzekerheid bij meting	Incerteza de medições	Målingsusikkerhed	Osäkerhet för mätt	K = 3 dB(A)





Suomi	Norsk	Русский	PolSKI
Tuotteen tekniset tiedot	Produktspesifikasjoner	Характеристики изделия	Parametry techniczne
Langaton pationpuhdistaja	Trådløs plattrengjøringsenhet	Беспроводной пылесос для патю	Bezprzewodowa myjka do tarasów
Malli	Modell	Модель	Model
Jännite	Spenning	Напряжение	Napięcie
Nopeus	Hastighet	Скорость	Prędkość
- teräsharjalisävarusteella	med stålbørstestyr	с проволочной щеткой	ze szczotką o sztywnym włosiu
- pyöröharjalisävarusteella	med rullerbørstestyr	с роликовой щеткой	ze szczotką obrotową
Teräsharja	Stålbørste	Проволочная щетка	Szczotka drucziana
- Halkaisija	Diameter	Диаметр	Średnica
Pyöröharja	Rullerbørste	Роликовая щетка	Szczotka obrotowa
- Pituus	Lengde	Длина	Długość
- Halkaisija	Diameter	Диаметр	Średnica
Vekt	Paino	Вес	Greutate
- ilman akkua (teräsharjalisävarusteella)	Uten batteri (med stålbørstestyr)	Без аккумулятора (с проволочной щеткой)	Bez akumulatora (ze szczotką o sztywnym włosiu)
- ilman akkua (pyöröharjalisävarusteella)	Uten batteri (med rullerbørstestyr)	Без аккумулятора (с роликовой щеткой)	Bez akumulatora (ze szczotką obrotową)
- Pyöröharjalisävarusteella ja 2.0 Ah-akkupakkauksella	Med rullerbørstestyr og 2.0 Ah batteripakke	С учетом роликовой щетки и аккумуляторного блока 2.0 Ач	Ze szczotką obrotową i akumulatorem 2,0 Ah
- Teräsharjalisävarusteella ja 2.0 Ah-akkupakkauksella	Med stålbørste utstyr og 2,0 Ah batteripakke	С учетом проволочной щетки и аккумуляторного блока 2.0 Ач	Ze szczotką o sztywnym włosiu i akumulatorem 2,0 Ah
- Paino raskaimmalla pakkauksella ja lisävarusteella	Med tyngste pakke og tilbehør	С учетом самой тяжелой упаковки и принадлежности	Z najcięższym akumulatorem i akcesorium
Teräsharja	Stålbørste	Проволочная щетка	Szczotka o sztywnym włosiu
Tärinätaso (standardin EN 786:1996+A2:2009 liitteen D mukaisesti)	Vibrasjonsnivå (iht. tillegg D i EN 786:1996+A2:2009)	Уровень вибрации (в соответствии с Приложением D стандарта EN 786:1996+A2:2009)	Poziom wibracji (zgodnie z aneksem D normy EN 786:1996+A2:2009)
Epätarkkuus	Usikkerhet	Погрешность	Niepewność pomiaru
Melutaso (standardin EN786:1996+A2:2009 liitteen E mukaisesti)	Støyutslipnivå (iht. tillegg D i EN 786:1996+A2:2009)	Уровень шума (в соответствии с Приложением E стандарта EN 786:1996+A2:2009)	Poziom emisji hałasu (zgodnie z aneksem E normy EN 786:1996+A2:2009)
A-painotettu käyttäjään kohdistuva äänenpainetaso	A-vektet lydtrykk ved operatøropisjon	Амплитудно-взвешенный уровень звукового давления на рабочем месте оператора	Poziom ważonego ciśnienia akustycznego w pozycji operatora
Mittausten epätarkkuus	Usikkerhet ved måling	Погрешность измерения	Niepewność pomiaru
A-painotettu äänenteho	A-vektet lydeffektivå	Уровень A-взвешенной звуковой мощности	A-ważony poziom natężenia hałasu
Mittausten epätarkkuus	Usikkerhet ved måling	Погрешность измерения	Niepewność pomiaru
Pyöröharja	Rullerbørste	Роликовая щетка	Szczotka obrotowa
Tärinätaso (standardin EN 786:1996+A2:2009 liitteen D mukaisesti)	Vibrasjonsnivå (iht. tillegg D i EN 786:1996+A2:2009)	Уровень вибрации (в соответствии с Приложением D стандарта EN 786:1996+A2:2009)	Poziom wibracji (zgodnie z aneksem D normy EN 786:1996+A2:2009)
Epätarkkuus	Usikkerhet	Погрешность	Niepewność pomiaru
Melutaso (standardin EN786:1996+A2:2009 liitteen E mukaisesti)	Støyutslipnivå (iht. tillegg D i EN 786:1996+A2:2009)	Уровень шума (в соответствии с Приложением E стандарта EN 786:1996+A2:2009)	Poziom emisji hałasu (zgodnie z aneksem E normy EN 786:1996+A2:2009)
A-painotettu käyttäjään kohdistuva äänenpainetaso	A-vektet lydtrykk ved operatøropisjon	Амплитудно-взвешенный уровень звукового давления на рабочем месте оператора	Poziom ważonego ciśnienia akustycznego w pozycji operatora
Mittausten epätarkkuus	Usikkerhet ved måling	Погрешность измерения	Niepewność pomiaru
A-painotettu äänenteho	A-vektet lydeffektivå	Уровень A-взвешенной звуковой мощности	A-ważony poziom natężenia hałasu
Mittausten epätarkkuus	Usikkerhet ved måling	Погрешность измерения	Niepewność pomiaru





Čeština	Magyar	Română	Latviski	
Technické údaje produktu	Termék műszaki adatai	Specificațiile produsului	Produkta specifikācijas	
Akumulátorový čistič dlažby	Vezeték nélküli terasztisztító	Mașină fără fir de curățat curtea	Akumulatoru pagalma tīrītājs	
Model	Típus	Model	Modelis	OPC1800/OPC1815/ RPC180020S
Elektrické napětí	Feszültség	Tensiune	Spriegums	18 V
Otáčky	Sebesség	Viteză	Ātrums	
s nástavcem s drátěným kartáčem	drótkefe szerelvényel	cu accesoriu perie de sârmă	ar stieplu birstes uzliku	1350± 10% rpm
s nástavcem s válečkovým kartáčem	kefehenger szerelvényel	cu accesoriu perie rotativă	ar rullīšu birstes uzliku	940 ± 10% rpm
Drátěný kartáč	Drótkefe	Perie de sârmă	Stieplu birste	
Průměr	Átmérő	Diametru	Diametrs	115 mm
Válečkový kartáč	Kefehenger	Peria rotativă	Rullīšu birste	
Délka	Hosszúság	Lungime	Garums	162 mm
Průměr	Átmérő	Diametru	Diametrs	102 mm
Waga	Bec	Tőmeg	Teža	
Není vložen akumulátor (s nástavcem s drátěným kartáčem)	Akkumulátor nélkül (drótkefe szerelvényel)	Fără baterie (cu accesoriu perie de sârmă)	Bez akumulatora (ar stieplu birstes uzliku)	2,8 kg
Není vložen akumulátor (s nástavcem s válečkovým kartáčem)	Akkumulátor nélkül (kefehenger szerelvényel)	Fără baterie (cu accesoriu perie rotativă)	Bez akumulatora (ar rullīšu birstes uzliku)	3,5 kg
S nástavcem s válečkovým kartáčem a 2,0Ah baterií	Kefehenger szerelvényel és 2,0 Ah-s akkuval	Cu accesoriu perie rotativă, cu acumulatori de 2.0Ah	Ar rullīšu birstes uzliku un 2,0 Ah akumulatoru	4,0 kg
S nástavcem s drátěným kartáčem a 2,0Ah baterií	Drótkefe szerelvényel és 2,0 Ah-s akkuval	Cu accesoriu perie de sârmă, cu acumulatori de 2.0Ah	Ar stieplu birstes uzliku un 2,0 Ah akumulatoru	3,2 kg
S nejtěžší baterií a příslušenstvím	A legnehezebb csomaggal és a tartozékokkal együtt	Cu cel mai greu ambalaj și accesoriu	Smagākajā komplektācijās un aksesuāru versijā	4,7 kg
Drátěný kartáč	Drótkefe	Perie de sârmă	Stieplu birste	
Úroveň vibrací (v souladu s přílohou D normy EN 786:1996+A2:2009)	Vibrációs szint (az EN 786:1996+A2:2009 D függeléké szerint)	Nivel de vibrație (în conformitate cu Anexa D a EN 786:1996+A2:2009)	Vibrācijas līmenis (saskaņā ar direktīvas EN 786:1996+A2:2009 pielikumu)	ah = 1,6 m/s ²
Nejistota	Bizonytalanság	Incertitudine	NeNOTEIKTĪBA	K = 1,5 m/s ²
Hladina emise hluku (v souladu s přílohou E normy EN 786:1996+A2:2009)	Hangkibocsátási szint (az EN 786:1996+A2:2009 E függeléké szerint)	Nivel emisie zgomot (în conformitate cu Anexa E a EN 786:1996+A2:2009)	Trokšņu emisijas līmenis (saskaņā ar direktīvas EN 786:1996+A2:2009 E pielikumu)	
Hladina akustického výkonu vážená funkcií A v poloze obsluhy	A-súlyozott hangnyomásszint a kezelő helyén	Valoare A nivel presiune zgomot la poziția operatorului	A–novērtējuma skaņas spiediena līmenis operatora darba vietā	L _{pA} = 69 dB(A)
Nejistota měření	Mérés bizonytalansága	Nesiguranța măsurătorii	Mērījuma nenoteiktība	K = 3 dB(A)
Hladina akustického tlaku vážená funkcií A	A-súlyozott hangteljesítményszint	Nivel de putere acustică ponderată A	A-līmeņa skaņas jaudas līmenis	L _{WA} = 84 dB(A)
Nejistota měření	Mérés bizonytalansága	Nesiguranța măsurătorii	Mērījuma nenoteiktība	K = 3 dB(A)
Válečkový kartáč	Kefehenger	Peria rotativă	Rullīšu birste	
Úroveň vibrací (v souladu s přílohou D normy EN 786:1996+A2:2009)	Vibrációs szint (az EN 786:1996+A2:2009 D függeléké szerint)	Nivel de vibrație (în conformitate cu Anexa D a EN 786:1996+A2:2009)	Vibrācijas līmenis (saskaņā ar direktīvas EN 786:1996+A2:2009 pielikumu)	ah = 1,2 m/s ²
Nejistota	Bizonytalanság	Incertitudine	NeNOTEIKTĪBA	K = 1,5 m/s ²
Hladina emise hluku (v souladu s přílohou E normy EN 786:1996+A2:2009)	Hangkibocsátási szint (az EN 786:1996+A2:2009 E függeléké szerint)	Nivel emisie zgomot (în conformitate cu Anexa E a EN 786:1996+A2:2009)	Trokšņu emisijas līmenis (saskaņā ar direktīvas EN 786:1996+A2:2009 E pielikumu)	
Hladina akustického výkonu vážená funkcií A v poloze obsluhy	A-súlyozott hangnyomásszint a kezelő helyén	Valoare A nivel presiune zgomot la poziția operatorului	A–novērtējuma skaņas spiediena līmenis operatora darba vietā	L _{pA} = 73 dB(A)
Nejistota měření	Mérés bizonytalansága	Nesiguranța măsurătorii	Mērījuma nenoteiktība	K = 3 dB(A)
Hladina akustického tlaku vážená funkcií A	A-súlyozott hangteljesítményszint	Nivel de putere acustică ponderată A	A-līmeņa skaņas jaudas līmenis	L _{WA} = 89 dB(A)
Nejistota měření	Mérés bizonytalansága	Nesiguranța măsurătorii	Mērījuma nenoteiktība	K = 3 dB(A)





Lietuviškai	Eesti	Hrvatski	Slovensko
Gaminio techninės savybės	Toote tehnilised andmed	Specifikacije proizvoda	Specifikacije izdelka
Akumulatorinis terasų plovimo įrenginys	Juhtmeta terraspuhasti	Akumulatorski čistač terase	Brezžični čistilec dvorišč
Modelis	Mudel	Model	Model
Įtampa	Pinge	Napon	Napetost
Greitis	Kiirus	Brzina	Hitrost
- su vielinio šepetio priedu	traatharja tarvikuga	s nastavkom sa žičanom četkom	z nastavkom z žičnato krtačo
- su sukamojo šepetio priedu	harjarulli tarvikuga	s nastavkom s valjčanom četkom	z nastavkom z valjasto krtačo
Vielinis šepetys	Traathari	Žičana četka	Žičnata krtača
- Skersmuo	Labimõõt	Promjer	Premer
Sukamasis šepetys	Harjarull	Valjčana četka	Valjasta krtača
- Ilgis	Pikkus	Duljina	Dolžina
- Skersmuo	Labimõõt	Promjer	Premer
Težina	Mass	Masé	Svars
- Be akumulatorinės baterijos (su vielinio šepetio priedu)	Ilma aku pakita (traatharja tarvikuga)	Bez baterije (s nastavkom sa žičanom četkom)	Brez baterijskega (z nastavkom z žičnato krtačo)
- Be akumulatorinės baterijos (su sukamojo šepetio priedu)	Ilma aku pakita (harjarulli tarvikuga)	Bez baterije (s nastavkom s valjčanom četkom)	Brez baterijskega (z nastavkom z valjasto krtačo)
- Sukamojo šepetio priedas ir 2,0 Ah akumulatorius	Harjarulli tarviku ja 2.0 Ah akukomplektiga	S nastavkom s valjčanom četkom i baterijskim sklopom kapaciteta 2.0Ah	Z nastavkom z valjasto krtačo in baterijskim vložkom 2,0 Ah
- Vielinio šepetio priedas ir 2,0 Ah akumulatorius	Traatharja tarviku ja 2.0 Ah akukomplektiga	S nastavkom sa žičanom četkom i baterijskim sklopom kapaciteta 2.0Ah	Z nastavkom z žičnato krtačo in baterijskim vložkom 2,0 Ah
- Svoris su sunkiausiu bloku ir priedu	Raskeima aku ja tarvikuga	S najtežim baterijskim sklopom i priborom	Z najtežim vložkom in dodatki
Vielinis šepetys	Traathari	Žičana četka	Žičnata krtača
Vibracijos lygis (pagal EN 786:1996+A2:2009 standarto Dpriedą)	Vibration level (in accordance with EN 786:1996+A2:2009 Annex D)	Razina vibracija (u skladu s Dodatkom D EN 786:1996+A2:2009)	Nivo vibracij (v skladu z dodatkom D standarda EN 786:1996+A2:2009)
Nepastovumas	Määramatus	Neodređenost	Negotovost
Skleidžiamo triukšmo lygis (pagal EN 786:1996+A2:2009 standarto E priedą)	Noise emission level (in accordance with EN 786:1996+A2:2009 Annex E)	Razina emisija buke (u skladu s Dodatkom E EN 86:1996+A2:2009)	Raven emisij hrupa (v skladu z dodatkom E standarda EN 786:1996+A2:2009)
A dažninės charakteristikos garso slėgio lygis operatoriaus vietoje	A-kaalutud helirõhu tase operatori töökohtal	A-ponderirana razina zvučnog tlaka u položaju operatera	A-vrednotena raven zvočnega tlaka na položaju upravljavca
Matavimo paklaida	Mõõtmismääramatus	Neodređenost mjerenja	Negotovost meritve
A-svertinis akustinis lygis	A-kaalutud helivõimsuse tase	Ponderirana razina zvučne snage	A-izmerjena raven zvočne moči
Matavimo paklaida	Mõõtmismääramatus	Neodređenost mjerenja	Negotovost meritve
Sukamasis šepetys	Harjarull	Valjčana četka	Valjasta krtača
Vibracijos lygis (pagal EN 786:1996+A2:2009 standarto Dpriedą)	Vibration level (in accordance with EN 786:1996+A2:2009 Annex D)	Razina vibracija (u skladu s Dodatkom D EN 786:1996+A2:2009)	Nivo vibracij (v skladu z dodatkom D standarda EN 786:1996+A2:2009)
Nepastovumas	Määramatus	Neodređenost	Negotovost
Skleidžiamo triukšmo lygis (pagal EN 786:1996+A2:2009 standarto E priedą)	Noise emission level (in accordance with EN 786:1996+A2:2009 Annex E)	Razina emisija buke (u skladu s Dodatkom E EN 86:1996+A2:2009)	Raven emisij hrupa (v skladu z dodatkom E standarda EN 786:1996+A2:2009)
A dažninės charakteristikos garso slėgio lygis operatoriaus vietoje	A-kaalutud helirõhu tase operatori töökohtal	A-ponderirana razina zvučnog tlaka u položaju operatera	A-vrednotena raven zvočnega tlaka na položaju upravljavca
Matavimo paklaida	Mõõtmismääramatus	Neodređenost mjerenja	Negotovost meritve
A-svertinis akustinis lygis	A-kaalutud helivõimsuse tase	Ponderirana razina zvučne snage	A-izmerjena raven zvočne moči
Matavimo paklaida	Mõõtmismääramatus	Neodređenost mjerenja	Negotovost meritve





Slovenčina	България	Українська	Turce	
Špecifikácie produktu	Технически характеристики	Технічні характеристики пристрою	Ürün teknik özellikleri	
Akumulatorový čistič terasy	Безжичен уред за почистване на двор	Бездротовий очищувач для patio	Kablosuz Avlu Temizleyici	
Modelis	Модел	Модель	Model	OPC1800/OPC1815/ RPC180020S
Napätie	Напряжение	Напряга	Voltaj	18 V
Rýchlosť	Скорост	Швидкість	Hız	
s drôtenou kefou	- с приставка с телена четка	з приладдям для дротяної щітки	tel fırça eklentili	1350± 10% rpm
s okrúhlu kefou	- с приставка с въртяща се четка	з приладдям для роликової щітки	rulo fırça eklentili	940 ± 10% rpm
Drôtená kefa	Телена четка	Дротяна щітка	Tel fırça	
Premier	Диаметър	Диаметр	Çap	115 mm
Okrúhla kefa	Въртяща се четка	Роликова щітка	Rulo fırça	
Dĺžka	Дължина	Довжина	Uzunluk	162 mm
Premier	Диаметър	Диаметр	Çap	102 mm
Hmotnosť	Тегло	Вага	Ağırlık	
Bez batérie (s drôtenou kefou)	- Без батерия (с приставка с телена четка)	без акумулатора (з приладдям для дротяної щітки)	Batarya hariç (tel fırça eklentili)	2,8 kg
Bez batérie (s okrúhlu kefou)	- Без батерия (с приставка с въртяща се четка)	без акумулатора (з приладдям для роликової щітки)	Batarya hariç (rulo fırça eklentili)	3,5 kg
S okrúhlu kefou a 2,0 Ah súpravou batérií	С приставка с въртяща се четка и акумулаторна батерия от 2 Ah	З приладдям для роликової щітки та акумулятором 2,0 А·ч	Rulo fırça eklentisi ve 2.0Ah pil takımlı	4,0 kg
S drôtenou kefou a 2,0 Ah súpravou batérií	С приставка с въртяща се четка и акумулаторна батерия от 2,0 Ah	З приладдям для дротяної щітки та акумулятором 2,0 А·ч	Tel fırça eklentisi ve 2.0Ah pil takımlı	3,2 kg
S najťažším vybavením a príslušenstvom	С най-тежката батерия и аксесоар	З найважчим пакетом та аксесуарими	En ağır takım ve aksesuarla	4,7 kg
Drôtená kefa	Телена четка	Дротяна щітка	Tel fırça	
Úroveň vibrácií (v súlade s Dodatkom D v EN 786:1996+A2:2009)	Ниво на вибрациите (в съответствие с приложение D на EN 786:1996+A2:2009)	Рівень вібрації (відповідно до EN 786:1996+A2:2009 додаток D)	Titreşim seviyesi (EN 786:1996+A2:2009, Ek D uyarınca)	a _h = 1,6 m/s ²
Neurčitost	Промениливост	Похибка	Belirsiz	K = 1,5 m/s ²
Úroveň emisii hluku (v súlade s Dodatkom E v EN 786:1996+A2:2009)	Ниво на шумовите емисии (в съответствие с приложение E на EN 786:1996+A2:2009)	Рівень шуму (відповідно до EN 786:1996+A2:2009 додаток E)	Gürültü emisyon seviyesi (EN 786:1996+A2:2009 Ek E uyarınca)	
Vážená A hladina akustického tlaku na pozícii operátora	Ниво на шумово налягане с равнище А на мястото на оператора	Рівень звукового тиску за шкалою А для оператора пристрою	Kullanıcı pozisyonundaki A ağırlıklı ses basıncı seviyesi	L _{pA} = 69 dB(A)
Nespolahlivosť meraní	Несигурност на измерването	Невизначеність вимірювання	Ölçüm bilinmiyor	K = 3 dB(A)
Vážená A hladina akustického výkonu	Ниво на силата на шума с равнище А	А-зважений рівень звукової потужності	A ağırlıklı ses gücü seviyesi	L _{WA} = 84 dB(A)
Nespolahlivosť meraní	Несигурност на измерването	Невизначеність вимірювання	Ölçüm bilinmiyor	K = 3 dB(A)
Okrúhla kefa	Въртяща се четка	Роликова щітка	Rulo fırça	
Úroveň vibrácií (v súlade s Dodatkom D v EN 786:1996+A2:2009)	Ниво на вибрациите (в съответствие с приложение D на EN 786:1996+A2:2009)	Рівень вібрації (відповідно до EN 786:1996+A2:2009 додаток D)	Titreşim seviyesi (EN 786:1996+A2:2009, Ek D uyarınca)	a _h = 1.2 m/s ²
Neurčitost	Промениливост	Похибка	Belirsiz	K = 1,5 m/s ²
Úroveň emisii hluku (v súlade s Dodatkom E v EN 786:1996+A2:2009)	Ниво на шумовите емисии (в съответствие с приложение E на EN 786:1996+A2:2009)	Рівень шуму (відповідно до EN 786:1996+A2:2009 додаток E)	Gürültü emisyon seviyesi (EN 786:1996+A2:2009 Ek E uyarınca)	
Vážená A hladina akustického tlaku na pozícii operátora	Ниво на шумово налягане с равнище А на мястото на оператора	Рівень звукового тиску за шкалою А для оператора пристрою	Kullanıcı pozisyonundaki A ağırlıklı ses basıncı seviyesi	L _{pA} = 73 dB(A)
Nespolahlivosť meraní	Несигурност на измерването	Невизначеність вимірювання	Ölçüm bilinmiyor	K = 3 dB(A)
Vážená A hladina akustického výkonu	Ниво на силата на шума с равнище А	А-зважений рівень звукової потужності	A ağırlıklı ses gücü seviyesi	L _{WA} = 89 dB(A)
Nespolahlivosť meraní	Несигурност на измерването	Невизначеність вимірювання	Ölçüm bilinmiyor	K = 3 dB(A)





English	Français	Deutsch	Español	Italiano
Battery and charger	Batterie et chargeur	Akku und Ladegerät	Bateria y cargador	Batteria e caricatore
Model	Modèle	Modell	Modelo	Modello
Battery pack	Bloc de batterie	Akku	Bateria	Batteria
Weight	Poids	Gewicht	Peso	Peso
Charger	Chargeur	Ladegerät	Cargador	Caricatore
Compatible battery packs	Packs batterie compatibles	Kompatible Akkus	Paquetes de batería compatibles	Gruppo batterie compatibili
Compatible chargers	Chargeur compatible	Kompatible Ladegeräte	Cargador compatible	Caricatore compatibile
Replacement Parts	Pièces de Rechange	Ersatzteile	Piezas de repuesto	Parti di ricambio
Wire brush	Brosse métallique	Drahtbürste	Cepillo metálico	Spazzola metallica
Roller brush assembly	Ensemble brosse rotative	Baugruppe Walzenbürste	Montaje del cepillo de rodillo	Gruppo spazzola a rulli
Roller brush	Brosse rotative	Walzenbürste	Cepillo de rodillo	Spazzola a rulli

Suomi	Norsk	Русский	Polski	Čeština
Akku ja laturi	Batteri og lader	Аккумуляторная батарея и зарядное устройство	Akumulator i ładowarka	Nabíječka a baterie
Malli	Modell	Модель	Model	Model
Akku	Batteri	Аккумулятор	Akumulator	Baterie
Vekt	Paino	Вес	Greutate	Waga
Laturi	Lader	Зарядное устройство	Ładowarka	Nabíječka
Yhteensopivat akut	Kompatible batteripakker	Совместимая аккумуляторная батарея	Pasujące akumulatory	Kompatibilní akumulátory
Yhteensopiva laturi	Kompatibel lader	Совместимое зарядное устройство	Zgodna ładowarka	Kompatibilní nabíječka
Varaosat	Erstatningsdeler	Запасные части	Części zamienne	Náhradní díly
Teräsharja	Stålbørste	Проволочная щетка	Szczotka o sztywnym włosiu	Drátěný kartáč
Pyöröharjakoonpano	Rullerbarsteenhjet	Роликовая щетка в сборе	Zespól szczotki obrotowej	Sestava válečkového kartáče
Pyöröharja	Rullerbørste	Роликовая щетка	Szczotka obrotowa	Válečkový kartáč

Eesti	Hrvatski	Slovensko	Slovenčina
Aku ja laadija	Baterija i punjač	Baterija in polnilnik	Akumulátor a nabíjačka
Mudel	Model	Model	Modelis
Aku paketiiga	Baterija	Akumulator	Batéria
Mass	Masse	Svars	Hmotnosť
Laadija	Punjač	Polnillec	Nabíjačka
Ühilduvad akupaketid	Kompatibilna pakiranja baterija	Združljive baterije	Kompatibilné jednotky akumulátorov
Ühilduv laadija	Kompatibilni punjači	Združljiv polnillec	Kompatibilná nabíjačka
Asendusosad	Zamjena dijelova	Nadomestni deli	Náhradné diely
Traathari	Žičana četka	Žičnata krtača	Drôtená kefa
Harjarulli tarvik	Sklop valjčane četke	Sestav valjaste krtače	Súprava okrúhlej kefy
Harjarull	Valjčana četka	Valjasta krtača	Okrúhla kefa





Nederlands	Português	Dansk	Svenska			
Accu en oplader	Bateria e carregador	Batteri og oplader	Batteri och batteriladdare			
Model	Modelo	Model	Modell	RPC180020S	OPC1800	OPC1815
Accu	Bateria	Batteri	Batteri	RB18L20	-	-
Peso	Peso	Vægt	Vægt	445,6 g	-	-
Lader	Carregador	Oplader	Batteriladdare	RC18115	-	-
Compatibele accupacks	Baterias compatíveis	Kompatible batterier	Kompatibla batteripaket	RB18L13, RB18L15, RB18L15A, RB18L15B, RB18L20, RB18L20A, RB18L25, RB18L25A, RB18L25B, RB18L26, RB18L40, RB18L40A, RB18L50, RB18L50A, RB18L30, RB18L30A, RB18L60, RB18L60A, RB18L90, RB18L90A		
Compatibele oplader	Carregador compatível	Kompatibel oplader	Kompatibel laddare	BCL1418, BCL14181H, BCL14183H, BC-1800, BC1815C, BCL-1800, BCL-1800G		
Vervangonderdelen	Peças de substituição	Reserve dele	Utbytesdelar			
Staalborstel	Escova de arame	Stålbørste	Stålbørste		RAC814	
Montage rolborstel	Conjunto de escovas cilíndricas	Rullebørsteenhed	Montering av rullborste		RAC815	
Rolborstel	Escova cilíndrica	Rullebørste	Rullborste		RAC816	

Magyar	Română	Latviski	Lietuviškai			
Akkumulátor és töltő	Bateria și încărcătorul	Akumulators un lādētājs	Akumulatorius ir įkroviklis			
Típus	Model	Modelis	Modelis	RPC180020S	OPC1800	OPC1815
Akkumulátor	Acumulator	Akumulators	Baterija	RB18L20	-	-
Bec	Tömeg	Teža	Težina	445,6 g	-	-
Töltő	Íncarcător	Lādētājs	Įkroviklis	RC18115	-	-
Kompatibilis akkumulátorok	Acumulatori compatibili	Savietojami akumulatoru komplekti	Suderinami baterijos paketai	RB18L13, RB18L15, RB18L15A, RB18L15B, RB18L20, RB18L20A, RB18L25, RB18L25A, RB18L25B, RB18L26, RB18L40, RB18L40A, RB18L50, RB18L50A, RB18L30, RB18L30A, RB18L60, RB18L60A, RB18L90, RB18L90A		
Kompatibilis töltő	Íncarcător compatibil	Saderīgs lādētājs	Suderinamas įkroviklis	BCL1418, BCL14181H, BCL14183H, BC-1800, BC1815C, BCL-1800, BCL-1800G		
Cserealkatrészek	Piese de schimb	Rezerves daļas	Atsarginės detalės			
Drótkefe	Perie de sármá	Stieplu birste	Vielinis šepetys		RAC814	
Kefehenger szerelvény	Asamblarea periei rotative	Rullīšu birstes mezģls	Sukamojo šepčio įtaisas		RAC815	
Kefehenger	Peria rotativá	Rullīšu birste	Sukamasis šepetys		RAC816	

България	Українська	Türce			
Батерия и зарядно устройство	Акумулятор і зарядний пристрій	Pil ve şarj cihazı			
Model	Модель	Model	RPC180020S	OPC1800	OPC1815
Батерия	Акумуляторна батарея	Pil	RB18L20	-	-
Тегло	Вара	Ağırlık	445,6 g	-	-
Зарядно устройство	Зарядний пристрій	Şarj cihazı	RC18115	-	-
Съвместими батерии	Сумісні акумуляторні блоки	Uyumlu pil takımları	RB18L13, RB18L15, RB18L15A, RB18L15B, RB18L20, RB18L20A, RB18L25, RB18L25A, RB18L25B, RB18L26, RB18L40, RB18L40A, RB18L50, RB18L50A, RB18L30, RB18L30A, RB18L60, RB18L60A, RB18L90, RB18L90A		
Съвместимо зарядно устройство	Сумісний зарядний пристрій	Uyumlu şarj cihazı	BCL1418, BCL14181H, BCL14183H, BC-1800, BC1815C, BCL-1800, BCL-1800G		
Резервни части	Запасні частини	Yedek Parça			
Телена четка	Дротяна щітка	Tel fırça		RAC814	
Модул с въртяща се четка	Роликова щітка у зборі	Rulo fırça tertibatı		RAC815	
Въртяща се четка	Роликова щітка	Rulo fırça		RAC816	





EN Vibration level

The declared vibration value has been measured with a standard test method and may be used to compare one tool with another.

The declared vibration value may be used in a preliminary assessment of exposure. The vibration emission during actual use of power tool can differ from the declared total value depending on the ways in which the tool is used.

Identify safety measures to protect the operator that are based on an estimation of exposure in the actual conditions of use, taking account of all parts of the operating cycle such as the times when the tool is switched off and when it is running idle in addition to the trigger time.

IT Livello di vibrazioni

Il valore delle vibrazioni dichiarato deve essere misurato con un metodo di test standard e può essere utilizzato per paragonare un utensile a un altro.

Il valore dichiarato delle vibrazioni può essere utilizzato nella valutazione preliminare dell'esposizione.

L'emissione delle vibrazioni durante l'utilizzo dell'utensile può essere diversa dal valore totale dichiarato a seconda dei modi in cui l'utensile viene utilizzato.

Individuare misure di sicurezza per proteggersi basate su una stima dell'esposizione nelle attuali condizioni di utilizzo, prendendo in considerazione tutte le parti del ciclo operativo come i tempi in cui l'utensile viene spento o quando funziona al minimo oltre al tempo di attivazione.

FR Niveau de vibrations

La valeur déclarée totale des vibrations a été mesurée selon une méthode de test standardisée qui peut être utilisée pour comparer un outil avec un autre.

La valeur déclarée totale des vibrations peut également être utilisée pour évaluer par avance le niveau d'exposition.

La valeur des vibrations réellement produites durant l'utilisation de l'outil électrique peuvent différer de la valeur totale déclarée, en fonction de la manière dont l'outil est utilisé.

Identifiez les mesures de sécurité à prendre pour vous protéger, sur la base d'une estimation de l'exposition réelle, en tenant compte de tous les éléments du cycle d'utilisation tels que le temps d'arrêt de l'outil et le temps de son fonctionnement au ralenti, en plus du temps de fonctionnement normal.

NL Trillingsniveau

De aangegeven trillingswaarde werd gemeten met behulp van een standaard testmethode en kan worden gebruikt om gereedschap met elkaar te vergelijken.

De aangegeven trillingswaarde kan worden gebruikt in een voorlopige blootstellingsanalyse.

De trillingsemisie tijdens het gebruik van het werktuig kan verschillen van de aangegeven totale waarde, afhankelijk van de manier waarop het werktuig wordt gebruikt.

Neem veiligheidsmaatregelen om uzelf te beschermen op basis van een inschatting van de blootstelling in de huidige gebruiksomstandigheden, rekening houdend met alle onderdelen van de bedrijfscyclus, zoals de tijd dat het werktuig wordt uitgeschakeld en het stationair draait, bovenop de bedrijfstijd.

DE Vibrationsgrad

Der angegebene Vibrationswert wurde durch eine Standard-Testmethode ermittelt und kann dazu verwendet werden, ein Werkzeug mit einem anderen zu vergleichen. Der angegebene Vibrationswert kann für eine Vorabbeurteilung der Exponierung herangezogen werden.

Die Vibrationsemissionen bei der tatsächlichen Benutzung von Elektrowerkzeugen kann sich, abhängig von der Art der Benutzung des Werkzeugs, von dem genannten Wert unterscheiden.

Identifizieren Sie aufgrund einer Einschätzung der Exponierung unter tatsächlichen Einsatzbedingungen Maßnahmen zum eigenen Schutz, unter Berücksichtigung aller Bestandteile des Betriebszyklus, wie die Zeiten zu denen das Werkzeug ausgeschaltet ist, und zu denen es sich zusätzlich zu den Auslösezeitpunkten im Leerlauf befindet.

PT Nivel de vibração

O valor de vibração declarado foi medido com um método de teste padrão e pode ser usado para comparar uma ferramenta com outra.

O valor de vibração declarado pode ser utilizado numa avaliação preliminar da exposição.

A emissão das vibrações durante o uso real da ferramenta eléctrica pode diferir do valor total declarado segundo o uso que se der à ferramenta.

Identifique as medidas de segurança para se proteger com base numa estimativa de exposição nas actuais condições de uso, tendo em conta todas as peças do ciclo de funcionamento, como as vezes que a ferramenta é desligada e quando está a trabalhar em ralenti para além do tempo de gatilho.

ES Nivel de vibración

El valor declarado de vibraciones se ha medido con un método de prueba estándar y puede utilizarse para comparar una herramienta con otra.

El valor declarado de vibraciones puede utilizarse en una evaluación preliminar de exposición.

La emisión de las vibraciones durante el uso real de la herramienta eléctrica puede diferir del valor total declarado según el uso que se le dé a la herramienta. Identifique las medidas de seguridad para protegerse en base a una estimación de la exposición en las condiciones reales de uso, teniendo en cuenta todas las partes del ciclo de funcionamiento, como los tiempos en que la herramienta está apagada y cuando está en ralenti, además del tiempo de activación.

DA Vibrationsniveau

Den erklærede vibrationsværdi er målt i henhold til en standard-testmetode og kan bruges til at sammenligne forskellige værktøjer indbyrdes.

Den erklærede vibrationsværdi kan bruges som en foreløbig vurdering af eksponeringen.

Vibrationsemissionen ved praktisk brug af elværktøjet kan variere fra den erklærede totalværdi, alt efter hvordan værktøjet anvendes.

Træf passende sikkerhedsforanstaltninger for at beskytte dig selv ud fra den skønnede eksponering for risici under de aktuelle anvendelsesforhold, hvor du - ud over den effektive arbejdstid - også tager højde for de varierende perioder, som fx når værktøjet er slukket, og når det kører i tomgang.





SV Vibrationsnivå

Det angivna vibrationsvärdet har uppmätts med en standardmetod och kan användas för att jämföra med andra kraftverktyg.

Det angivna vibrationsvärdet kan användas i en preliminär analys av vibrationerna som användaren utsätts för.

De vibrationer som uppstår vid användningen av el-verktyget kan skilja sig från det uppgivna totalvärdet beroende på det sätt som verktyget används på.

Vidtag säkerhetsåtgärder för ditt personliga skydd utifrån den exponering som sker under användningen, ta hänsyn till all användning som då verktyget är avstängt och när det går på tomgång förutom den faktiska brukstiden.

FI Tärinätaso

Ilmoitettu tärinäarvo on mitattu tavallisin testimenetelmin, ja sitä voidaan käyttää verrattaessa laitetta toiseen.

Ilmoitettua tärinäarvoa voidaan käyttää arvioitaessa tärinävaikutusta.

Sähkötyökalun todellisen käytön aikainen tärinä saattaa poiketa ilmoitetusta kokonaisarvosta, laitteen käyttötavasta riippuen.

Määritä käyttäjän suoja-keino, jotka perustuvat todellisten käyttöolosuhteiden tärinävaikutusarvioon, ottaen huomioon kaikki käyttöjakson osat, kuten ajan, jonka laite on sammuksissa ja käy tyhjäkäynnillä, varsinaisen sahausajan lisäksi.

NO Vibrasjonsnivå

Den oppgitte vibrasjonsverdien er målt med en standard testmetode og kan benyttes for å sammenligne ett verkøy med et annet.

Den oppgitte vibrasjonsverdien kan benyttes for en foreløpig angivelse av eksponering.

Vibrasjonene ved faktisk bruk av et elektrisk verkøy kan skille seg fra oppgitte totalverdier avhengig av måten verktøyet brukes på.

Identifiser sikkeringsiltak som beskytter deg selv, basert på et anslag for eksponering i den faktiske brukssituasjonen der man tar hensyn til alle brukssykluser, som tidspunktet da maskinen ble slått av og når den går på tomgang i tillegg til tiden når verktøyet arbeider.

RU Уровень вибрации

Заявленная величина вибрации измерялась в соответствии со стандартной методикой проведения испытаний и может использоваться для сравнения одного инструмента с другим.

Заявленная величина вибрации может использоваться при предварительной оценке характеристик.

Уровень вибрации при работе электроинструмента может отличаться от заявленной общей величины вибрации в зависимости от условий его использования.

Выберите средства защиты оператора с учетом реальных условий эксплуатации, принимая во внимание все факторы рабочего цикла, такие как время, в течение которого инструмент был выключен, и время его работы в холостом режиме.

PL Poziom drgań

Deklarowany poziom drgań został zmierzony za pomocą standardowej metody pomiaru i jego wyniki mogą służyć do porównywania tego urządzenia z innymi. Deklarowana wartość drgań może służyć do wstępnej oceny narażenia operatora na wibracje.

Emisja drgań podczas użytkowania elektronarzędzi może różnić się od zadeklarowanej wartości, w zależności od sposobu użytkowania urządzenia.

Określić zasady bezpieczeństwa, oparte na oszacowaniu narażenia operatora w rzeczywistych warunkach użytkowania, uwzględniając wszystkie elementy cyklu operacyjnego, takie jak czasy wyłączenia oraz czasy pracy bez obciążenia, oprócz czasu pracy przy wciśniętym przycisku uruchamiania.

CS Úroveň vibrací

Uznaná hodnota vibrací byla naměřena pomocí standardního testovacího postupu a lze ji použít k porovnání s jiným nástrojem.

Uznaná hodnota vibrací se může používat k předběžnému odhadu vystavování vibracím.

Aktuální hodnoty vibrací během používání nástroje se mohou lišit od výše uvedených a mohou se lišit dle použitého nástroje.

Určete bezpečnostní opatření pro vlastní ochranu, která jsou založena na odhadu vystavení v aktuálních podmínkách používání, popisu všech částí pracovního cyklu jako doby, kdy je nástroj vypnut a když běží naprázdno, kromě doby spuštění.

HU Vibrációs szint

A megadott vibrációs érték szabványos tesztmódszerrel lett meghatározva, és két szerszám összehasonlításakor is használható.

A megadott vibrációs érték a vibrációnak való kitettség előzetes becsléséhez is felhasználható.

A vibráció-kibocsátás a szerszámgép tényleges használat során eltérhet a nyilatkozatban szereplő teljes értéktől; ez függ a gép használatának módjától.

Határozza meg a saját védelmét szolgáló óvintézkedéseket az adott használati körülmények között érvényes kitettség felméréseivel, figyelembe véve a használat teljes időtartamát, vagyis beleértve azokat az időszakokat, amikor a gép ki van kacsolva, vagy bekapcsolt állapotban üresjáratban működik.

RO Nivelul vibrațiilor

Valoarea declarată a vibrațiilor a fost măsurată cu o metodă de testare standard și poate fi utilizată pentru a compara o unealtă cu alta.

Valoarea declarată a vibrațiilor poate fi utilizată într-o evaluare preliminară a expunerii.

Emisia de vibrații în timpul folosirii efective a unelei electrice poate diferi de valoarea totală declarată în funcție de modulul în care este utilizată unealta.

Identificați măsurile de siguranță pentru a vă proteja, pe baza estimării expunerii la condițiile efective de utilizare, luând în considerare toate etapele ciclului de operare, precum momentele în care unealta este oprită și atunci când funcționează în gol, suplimentar momentului declanșării.





LV Vibrācijas līmenis

Nosauktais vibrācijas līmenis ir ticis izmērīts ar standarta pārbaudes metodi un var tikt izmantots, lai salīdzinātu vienu instrumentu ar citu.

Nosauktā vibrācijas vērtība var tikt izmantota sākotnējās iedarbības novērtējumam. Elektroinstrumenta vibromisija reālā darba laikā var atšķirties no norādītās kopējās vērtības atkarībā no veidiem, kā instruments tiek lietots.

Nosakiet drošības pasākumus, lai sevi aizsargātu, balstoties uz saskares ilguma novērtējumu atbilstoši lietošanas apstākļiem, ņemot vērā visas lietošanas cikla daļas, tostarp laikus, kad instruments tiek izslēgts un kad tas darbojas tukšgaitā papildus darbināšanas laikam.

LT Vibracijos lygis

Deklaruotas vibracijos lygis yra išmatuotas standartinio testo metu ir gali būti naudojamas vieno įrankio su kitu palyginimui.

Deklaruotas vibracijos lygis gali būti naudojamas preliminariam pavojaus įvertinimui.

Elektrinio įrankio naudojimo metu vibracijos lygis gali skirtis nuo deklaruotos bendrosios vertės pagal įrankio naudojimo būdus.

Nustatykite saugumo priemones, kad apsaugotumėte, kurios pagrįstos pavojaus įvertinimu pačiose naudojimo sąlygose, atkreipiant dėmesį į visas darbo ciklo dalis, pvz. laikotarpį, kai įrankis yra išjungtas ir kai veikia tuščiaja eiga bei perjungimo laiką.

ET Vibratsioonitase

Deklareeritud vibratsiooniväärtus on mõeldud standardse testimiseetodiga ja seda võib kasutada tööriistade omavaheliseks võrdlemiseks.

Deklareeritud vibratsiooniväärtust võib kasutada mürataseme eelhindamiseks.

Olenevalt seadme kasutusviisist võib mehaanilise tööriista töötamisel ilmneva vibratsioonimisiooni, mille suurus erineb deklareeritud väärtustest.

Kasutaja kaitsmiseks seadmega töötamisel tuleb kindlaks teha turvameetmed, mis põhinevad tegelike kasutustingimustes esinevale vibratsioonile, sealjuures tuleb arvesse võtta kõiki töötsükli osi, lisaks sisselülitatud olekule näiteks ka vibratsiooni väljalülitamise ajal ja tühikäigul.

HR Razina vibracije

Objavljena vrijednost vibracija je izmjerena standardnom metodom testiranja i može se koristiti za usporedbu jednog alata s drugim.

Objavljena vrijednost vibracija može se koristiti u početnom usklađivanju izloženosti.

Razina vibracija tijekom trenutačne uporabe AKU alata može se razlikovati od deklarirane ukupne vrijednosti ovisno o načinima na koje se alat koristi.

Identificirajte sigurnosne mjere za svoju zaštitu na temelju procjene izloženosti u trenutim uvjetima korištenja, uzevši u obzir sve dijelove radnog ciklusa kao što su vrijeme kada je alat isključen i kada je pokrenut u praznom hodu u dodatku vremenu pokretanja.

SL Raven vibracij

Navedena vrednost vibracij je bila izmerjena s standardno metodo testiranja in se lahko uporabi za primerjavo različnih orodij.

Navedena vrednost vibracij se lahko uporabi za predhodne ocene izpostavljenosti. Emisije med dejansko uporabo električnega orodja se od navedene vrednosti lahko razlikujejo, odvisno od načina, kako se orodje uporablja.

Ugotovite varnostne ukrepe za zaščito upravljalca, ki temeljijo na oceni izpostavljenosti v dejanskih pogojih uporabe, pri tem pa je treba upoštevati vse dele delovnega cikla – npr. ko je orodje izključeno in ko je v prostem teku in čas zagona.

SK Úroveň vibrácií

Deklarovaná hodnota vibrácií bola meraná podľa štandardnej testovacej metódy a možno ju používať na porovnanie jedného nástroja s iným.

Deklarovaná hodnota vibrácií sa dá použiť aj v predbežnom odhade expozície.

Úroveň emisii počas samotného používania elektrického nástroja sa môže líšiť od deklarovanej celkovej hodnoty v závislosti od toho, ktorý nástroj sa používa.

Identifikujte bezpečnostné opatrenia na vašu ochranu nezáklade posúdenia skutočných podmienok použitia, pričom vezmite do úvahy všetky časti prevádzkového cyklu, napríklad časov, kedy je nástroj vypnutý a kedy pracuje na voľnobehu okrem času spúšťania.

BG Ниво на вибрация

Посочената стойност за вибрациите е измерена с помощта на стандартен тест и може да се използва за сравнение с друг инструмент.

Посочената стойност за вибрациите може да бъде използвана в предварително оценяване за излагане на вибрации.

Вибрациите по време на действителната употреба на електромеханичния инструмент може да се различават от обявената обща стойност в зависимост от начините, по които се използва инструментът.

Определете мерки за безопасност за собствена защита според преценка за излагането на вибрации в реални условия, като се вземат предвид всички елементи на работния цикъл, като например времето, в което инструментът е изключен и когато работи на празен ход, както и времето за задействане.

UK Рівень вібрації

Оголошене значення вібрації було виміряно за допомогою стандартного методу випробування і може бути використане для порівняння одного інструмента з іншим.

Він може бути використаний для попередньої оцінки впливу.

Емісія вібрації під час фактичного використання електронструменту може відрізнятись від заявленого значення залежно загального використання інструменту.

Визначити заходи безпеки, щоб захистити себе на основі оцінки впливу в реальних умовах використання, з урахуванням всіх частин робочого циклу, коли інструмент вимкнений, і коли він працює в холостому режимі, доповнюючи робоче положення.



TR Titreşim seviyesi

Beyan edilen titreşim değeri standart bir test yöntemi ile ölçülmüştür ve bir aleti diğeriyle karşılaştırmak için kullanılabilir.

Beyan edilen titreşim değeri bir maruz kalma ön değerlendirmesinde kullanılabilir. Güç destekli aletin fiili kullanımı sırasında meydana gelen titreşim emisyonu aletin kullanıma şekline bağlı olarak beyan edilen toplam değerden farklı olabilir.

Kendinizi korumak için aletin açılıp kapatılma sayısı ve tetik süresinin yanı sıra rölantide çalıştığı zaman gibi çalışma döngüsünde yer alan tüm parçaları dikkate alarak gerçek kullanım koşullarında maruz kalma hesaplamasına dayalı güvenlik önlemlerini belirleyin.

EN RYOBI® WARRANTY APPLICATION CONDITIONS

In addition to any statutory rights resulting from the purchase, this product is covered by a warranty as stated below.

- The warranty period is 24 months for consumers and commences on the date when the product was purchased. This date has to be documented by an invoice or other proof of purchase. The product is designed and dedicated to consumer and private use only. So there is no warranty provided in case of professional or commercial use. This warranty applies only on new products.
- There is a possibility to extend for a part of the range of power tools (AC/DC) the warranty period over the period described above using the registration on the www.ryobitools.eu website. The eligibility of products for extended warranty is clearly displayed in stores and / or on packaging and is contained within the product documentation. The end user is required to register his/her newly-acquired products online within 30 days from the date of purchase. The end user may register for the extended warranty in his/her country of residence if listed on the online registration form where this option is valid. Furthermore, end users must give their consent to the storage of their personal data that is required to be entered online. They must also accept the terms and conditions. The registration confirmation receipt, which is sent out by e-mail, and the original invoice showing the date of purchase will serve as proof of the extended warranty.
- The warranty covers all defects of the product during the warranty period due to faults in workmanship or material at the purchase date. The warranty is limited to repair and/or replacement and does not include any other obligations including but not limited to incidental or consequential damages. The warranty is not valid if the product has been misused, used contrary to the instruction manual, or has been incorrectly connected to a power supply. This warranty does not apply to:
 - any damage to the product that is the result of improper or lack of maintenance
 - any product that has been altered or modified
 - any product where original identification (trade mark, serial number) markings have been defaced, altered or removed
 - any damage caused by non-observance of the instruction manual
 - any product not displaying the CE approval mark on the rating plate
 - any product that has been attempted to be repaired by a non-authorized warranty service centre or without prior authorisation by Techtronic Industries
 - any product connected to improper power supply (amps, voltage, frequency)
 - any product used with inappropriate fuel mixture (fuel, oil, ratio of oil/ fuel mixture)
 - any damage caused by external influences (water, chemical, physical, shocks) or foreign substances
 - normal wear and tear spare parts
 - inappropriate use, overloading of the tool
 - use of non-approved accessories or parts
 - Accessories provided with the tool or purchased separately including but not limited to blades, saw chains, cutting lines, etc.
 - Any periodic adjustments to or maintenance cleaning of carburettors
 - Components (parts and accessories) subject to natural wear and tear, including but not limited to bump knobs, drive belts, clutch, blades of hedge trimmers or lawn mowers, harness, cable throttle, carbon brushes, power cord, tines, felt washers, hitch pins, blower fans, blower and vacuum tubes, vacuum bag and straps, guide bars, saw chains, hoses, connector fittings, spray nozzles, wheels, spray wands, inner reels, outer spools, cutting lines, spark plugs, air filters, gas filters, mulching blades, etc.
- For servicing, the product must be sent or presented to a RYOBI authorised service station listed for each country in the following list of service station addresses. In some countries your local RYOBI dealer undertakes to send the product to the RYOBI service organisation. When sending a product to a RYOBI service station, the product should be safely packed without any dangerous contents such as petrol, marked with sender's address and accompanied by a short description of the fault.
- A repair / replacement under this warranty is free of charge. It does not constitute an extension or a new start of the warranty period. Exchanged parts or products become our property. In some countries delivery charges or postage will have to be paid by the sender. Your statutory rights arising from the purchase of the product remain unaffected.
- This warranty is valid in the European Community, Switzerland, Iceland, Norway, Liechtenstein, Turkey and Russia. Outside these areas, please contact your authorised RYOBI dealer to determine if another warranty applies.

AUTHORISED SERVICE CENTRE

To find an authorised service centre near you, visit <http://uk.ryobitools.eu/header/service-and-support/service-agents>.

FR RYOBI® CONDITIONS D'APPLICATION DE LA GARANTIE

En plus des droits statutaires liés à l'achat, ce produit est couvert par une garantie telle que décrite ci-dessous.

- La durée de la garantie accordée au consommateur est de 24 mois à partir de la date d'achat. Cette date doit être authentifiée par une facture ou tout autre preuve d'achat. Le produit a été conçu en vue d'une utilisation strictement privée. Aucune garantie ne s'applique donc en cas d'utilisation professionnelle ou commerciale.
- Il existe pour une partie de la gamme « jardin » (AC/DC), une possibilité d'étendre la période de garantie au-delà de la période précédemment décrite en utilisant le formulaire d'enregistrement présent sur le site Internet www.ryobitools.eu. L'éligibilité d'un outil est clairement affichée dans les points de vente et/ou sur l'emballage et la documentation. L'utilisateur final doit enregistrer son/ses outil(s) nouvellement acheté(s) en ligne dans les 30 jours qui suivent la date d'achat. L'utilisateur a la possibilité de s'enregistrer pour l'extension de garantie dans son pays de résidence si celui-ci est listé dans le formulaire d'enregistrement en ligne où cette option est validée. L'utilisateur final doit donner son consentement pour l'enregistrement des données requises pour accéder au site et doit accepter les termes et conditions. La confirmation d'enregistrement, envoyée par courrier électronique, ainsi que la facture originale mentionnant la date d'achat serviront de preuve de l'extension de garantie.
- La garantie couvre pendant la période de garantie les défauts des produits liés à la fabrication et aux matériaux à la date d'achat. La garantie est limitée à la réparation et/ou au remplacement et n'inclut aucune autre obligation, tel que, mais sans s'y limiter, les dommages accessoires ou indirects. La garantie est non valable en cas de mauvaise utilisation du produit, d'utilisation contraire aux instructions du mode d'emploi, ou en cas de branchement incorrect. Cette garantie ne s'applique pas pour :
 - tout dommage au produit résultant d'un mauvais entretien
 - tout produit ayant été altéré ou modifié
 - tout produit dont les marquages originaux d'identification (marque, numéro de série) ont été dégradés, altérés ou retirés
 - tout dommage causé par le non-respect des instructions du mode d'emploi
 - tout produit non CE
 - tout produit ayant subi une tentative de réparation par du personnel non qualifié ou sans autorisation préalable de Techtronic Industries
 - tout produit raccordé à une alimentation secteur non conforme (ampérage, voltage, fréquence)
 - tout produit utilisé avec un mélange inapproprié (essence, huile, pourcentage d'huile)
 - tout dommage causé par des influences extérieures (chimiques, physiques, chocs) ou par des substances étrangères
 - l'usure normale des pièces consommables
 - une utilisation inappropriée, une surcharge de l'outil
 - l'utilisation de pièces ou accessoires non agréés
 - Tout réglage périodique ou tout nettoyage de maintenance des carburateurs
 - les composants (pièces et accessoires) sujets à une usure naturelle, incluant de façon non exhaustive les têtes de fil à frapper, les courroies de transmission, les embrayages, les lames des taille-haies ou des tondeuses à gazon, les harnais, les câbles d'accélérateur, les charbons, les cordons d'alimentation, les fraises de cultivateurs, les rondelles feutre, les goupilles de fraise, les turbines et lame de broyage des souffleurs, les tubes de soufflage et d'aspiration des souffleurs, les sacs de souffleurs et leurs lanières, les guides-chaîne, les chaînes de tronçonneuses, les tuyaux et raccords, les buses et lances de nettoyeurs haute pression, les roues, les recharges de fil des têtes de coupe, les têtes de coupe, le fil de coupe, les bougies d'allumage, les filtres à air, les filtres à essence, etc.
- Si le produit doit être réparé, envoyez-le à un service après-vente agréé RYOBI dont vous trouverez ci-dessous la liste pour chaque pays. Dans certains pays, votre revendeur RYOBI se chargera d'envoyer le produit à un centre de réparation RYOBI. Lorsque vous envoyez un produit à un service après-vente RYOBI, celui-ci doit être correctement emballé, sans contenir aucun produit dangereux tel que de l'essence, et vous devez indiquer votre adresse ainsi qu'une courte description du problème.
- Une réparation / un remplacement sous garantie est gratuit(e). Ceci ne constituera pas une extension de garantie ni un nouveau départ de la période de garantie. Les pièces ou les outils remplacés deviennent notre propriété. Dans certains pays, les frais de port devront être assumés par l'expéditeur. Vos droits statutaires restent inchangés.
- Cette garantie est valable au sein de l'Europe, de la Suisse, de l'Islande, de la Norvège, du Liechtenstein, de la Turquie, de la Russie. En dehors de ces zones, veuillez contacter votre distributeur agréé RYOBI pour déterminer si une autre garantie s'applique.

SERVICE APRÈS-VENTE AGRÉÉ

Pour trouver le service après-vente agréé le plus proche, rendez-vous sur <http://fr.ryobitools.eu/header/service-and-support/service-agents>

DE RYOBI® GARANTIEBEDINGUNGEN

Zusätzlich zu den gesetzlichen Rechten aus dem Kauf gilt für dieses Produkt die nachstehend aufgeführte Garantie.

- Der Garantiezeitraum beträgt für Verbraucher 24 Monate und beginnt mit dem Datum des Kaufs. Dieses Datum muss durch eine Rechnung oder einen anderen Kaufbeleg dokumentiert werden. Dieses Produkt wurde ausschließlich zur privaten Nutzung durch Verbraucher entwickelt. Für den Fall einer professionellen bzw. kommerziellen Nutzung besteht daher keine Garantie.
- Es besteht die Möglichkeit, für einen Teil des Sortiments der Gartenwerkzeuge (AC/DC) den Garantiezeitraum über den oben genannten Zeitraum hinaus zu verlängern, indem der Verbraucher die Registrierung auf der Website www.ryobitools.eu durchführt. Die Berechtigung der Werkzeuge für die Garantieverlängerung ist deutlich im Geschäft und/oder auf der Verpackung beschrieben und in der Produktdokumentation erwähnt. Der Verbraucher muss das neu erworbene Gerät online innerhalb von 30 Tagen ab dem Kaufdatum registrieren. Der Verbraucher kann das Gerät zwecks Garantieverlängerung in seinem Wohnsitzland/Heimatland registrieren, wenn dieses Land auf dem Online-Registrierungsformular aufgeführt und die Option gültig ist. Darüber hinaus muss der Verbraucher seine Zustimmung zur Speicherung der Daten geben, die online eingegeben werden müssen, und er muss die allgemeinen Geschäftsbedingungen akzeptieren. Die Bestätigung der Registrierung, die per E-Mail versandt wird, und die Originalrechnung mit dem Kaufdatum gelten als Beleg für die Garantieverlängerung.
- Die Garantie deckt alle Defekte des Geräts während des Garantiezeitraums ab, die auf zum Zeitpunkt des Kaufs bestehende Verarbeitungs- oder Materialfehler zurückzuführen sind. Die Garantie beschränkt sich auf Reparatur und/oder Ersatz und beinhaltet keine anderen Verpflichtungen, insbesondere keinen Schadenersatz für Folge- oder Nebenschäden. Die Garantie gilt nicht, wenn das Gerät fehlerhaft eingesetzt wurde, gegensätzlich zur Bedienungsanleitung eingesetzt wurde oder falsch angeschlossen wurde. Die Garantie gilt nicht für Folgendes:
 - Schäden am Gerät, die auf unkorrekte Wartung zurückzuführen sind
 - Geräte, an denen Veränderungen vorgenommen wurden
 - Produkte, bei denen die ursprüngliche Identifizierung (Handelsmarke, Seriennummer) unleserlich gemacht, verändert oder entfernt wurde
 - Schäden durch Nichtbeachtung der Bedienungsanleitung
 - nicht-CE-zertifizierte Geräte
 - Geräte, an denen durch nicht-qualifizierte Personen oder ohne vorherige Genehmigung von Techtronic Industries Reparaturversuche vorgenommen wurden
 - Geräte, die an unkorrekte Energiequellen (Ampere, Volt, Frequenz) angeschlossen wurden
 - Geräte, die mit einer fehlerhaften Treibstoffmischung (Treibstoff, Öl, Ölanteil) betrieben wurden
 - Schäden durch äußere Einflüsse (chemisch, physisch, Stöße) oder Fremdstoffe
 - normaler Verschleiß von Ersatzteilen
 - unangemessene Nutzung, Überlastung des Geräts
 - Nutzung nicht genehmigter Zubehörteile oder Ersatzteile
 - Regelmäßige Einstellung oder Wartungsreinigung des Vergasers
 - Komponenten (Ersatzteile und Zubehörteile), die natürlicherem Verschleiß unterliegen, einschließlich, aber nicht begrenzt auf Service- und Wartungssets, Kohlebürsten, Lager, Spannvorrichtungen, SDS-Bohreraufnahme, Bit-Adapter, Netzkabel, Zusatzhandgriff, Transportkoffer, Schleifplatten, Staubbeutel, Staubabführungen, Filzunterlegscheiben, Bolzen und Federn von Schlagschraubern, einschließlich, aber nicht beschränkt auf Fadenköpfe, Antriebsriemen, Kupplungen, die Klängen von Heckenscharen oder Rasenmähern, Kabelstränge, Gaszüge, Zinken, Steckbolzen, Lüfter, Saug- und Gebläserohre oder Düsen, Fangsäcke und Gurte, Führungsschienen, Sägeketten, Schläuche, Verbinder, Sprühdüsen, Räder, Sprühstäbe, innere Rollen, äußere Spulen, Schneidfäden, Zündkerzen, Luftfilter, Benzin-/ Ölfilter, Hackseil-Messer usw.
- Zum Service muss das Gerät zu einer von RYOBI autorisierten Servicestation gebracht oder dorthin gesendet werden. Die Servicestationen für die einzelnen Länder sind in der folgenden Liste aufgeführt. In einigen Ländern sendet Ihr RYOBI-Händler vor Ort das Gerät an das RYOBI-Serviceunternehmen. Beim Einsenden an die RYOBI-Servicestation sollte das Gerät sicher verpackt sein, ohne gefährliche Inhalte wie Benzin, und es sollte mit der Adresse des Absenders und einer kurzen Beschreibung des Fehlers versehen sein.
- Eine Reparatur bzw. ein Ersatz gemäß dieser Garantie ist kostenlos. Hieraus ergibt sich weder eine Garantieverlängerung noch der Beginn eines neuen Garantiezeitraums. Die ausgetauschten Ersatzteile oder Werkzeuge gehen in unser Eigentum über. In einigen Ländern müssen die Zustellgebühren oder die Versandkosten vom Absender gezahlt werden. Ihre gesetzlichen Rechte aus dem Kauf des Geräts bleiben hiervon unberührt.
- Diese Garantie gilt in der Europäischen Union, der Schweiz, Island, Norwegen, Liechtenstein, der Türkei und Russland. Bitte wenden Sie sich außerhalb dieser Gebiete an Ihren autorisierten RYOBI-Händler, um festzustellen, ob eine andere Garantie gilt.

AUTORISIERTER KUNDENDIENST

Besuchen Sie <http://de.ryobitools.eu/header/service-and-support/service-agents>, um einen autorisierten Kundendienst in Ihrer Nähe zu finden.

ES CONDICIONES DE APLICACIÓN DE LA GARANTÍA DE RYOBI®

Además de cualquier derecho legal derivado de la compra, este producto está cubierto por una garantía que se indica a continuación.

- El periodo de garantía es de 24 meses para consumidores y comienza en la fecha en que se comprara el producto. Dicha fecha debe documentarse con una factura u otro comprobante de compra. El producto está diseñado y concebido únicamente para el uso privado del consumidor. Por lo tanto, no se ofrece garantía en caso de uso profesional o comercial.
- Existe la posibilidad de ampliar el periodo de garantía respectivo a una parte de la gama de herramientas de jardinería (CA/CC) durante el periodo descrito más arriba y mediante el registro en el sitio web www.ryobitools.eu. La elegibilidad de las herramientas para que se amplie el periodo de garantía se muestra claramente en las tiendas o en el embalaje y está incluida en la documentación del producto. El usuario final tiene que registrar en línea sus herramientas recientemente adquiridas en un plazo de 30 días a partir de la fecha de compra. El usuario final podrá registrarse para obtener la garantía ampliada en su país de residencia si este aparece en la lista del formulario de registro en línea cuando esta opción sea válida. Además, los usuarios finales deberán dar su consentimiento al almacenamiento de los datos necesarios para el acceso en línea y tienen que aceptar los términos y condiciones. El recibo de confirmación de registro, que se envía por correo electrónico, y la factura original que muestra la fecha de compra servirán como comprobante para la garantía ampliada.
- La garantía cubre todos los defectos del producto durante el periodo de garantía debido a fallos de mano de obra o material en la fecha de compra. La garantía se limita a la reparación o sustitución y no incluye ninguna otra obligación como, por ejemplo, daños accidentales o consecuentes. La garantía no es válida si se ha usado mal el producto, se ha usado contraviniendo el manual de instrucciones o se ha conectado de forma incorrecta. Esta garantía no es aplicable a:
 - ningún daño en el producto que sea consecuencia de un mantenimiento inadecuado
 - ningún producto que haya sido alterado o modificado
 - ningún producto en el que los marcados de identificación originales (marca comercial, número de serie) se hayan borrado, modificado o eliminado
 - ningún daño provocado por no seguir el manual de instrucciones
 - ningún producto que no sea CE
 - ningún producto que haya sufrido un intento de reparación por parte de un profesional no cualificado o sin la autorización previa de Techtronic Industries.
 - ningún producto conectado a un suministro eléctrico inadecuado (amperios, voltaje, frecuencia)
 - ningún producto usado con una mezcla de combustible inadecuada (combustible, aceite, porcentaje de aceite)
 - ningún daño causado por influencias externas (químicas, físicas, impactos) o sustancias extrañas
 - desgaste normal de piezas de repuesto
 - uso inadecuado, sobrecarga de la herramienta
 - uso de accesorios o piezas no aprobados
 - Cualquier ajuste periódico o limpieza de mantenimiento de los carburadores
 - Componentes (piezas y accesorios) sujetos al desgaste natural incluyendo, entre otros, pomos de golpes, correas de transmisión, embragues, cuchillas de cortasetos o cortacésped, arneses, cable del acelerador, escobillas de carbono, cables eléctricos, discos, placas de filtro, pasadores de enganche, ventiladores de soplador, tubos de aspiración y de soplado, bolsas y correas de aspiración, barras guías, cadenas de sierra, mangueras, herrajes de conectores, boquillas pulverizadoras, ruedas, lanzas pulverizadoras, bobinas interiores, carretes exteriores, líneas de corte, bujías, filtros de aire, filtros de gas, cuchillas de compostaje, etc.
- Para su mantenimiento, el producto debe enviarse o presentarse a una estación de servicio de RYOBI autorizada que figure en la siguiente lista de direcciones de estaciones de servicio por países. En algunos países, su distribuidor RYOBI local se responsabiliza de enviar el producto a la compañía de servicio de RYOBI. Cuando se envíe un producto a una estación de servicio de RYOBI, este debe estar empaquetado de forma segura sin contenidos peligrosos como gasolina, marcado con la dirección del remitente y acompañado de una breve descripción del fallo.
- Una reparación / sustitución con esta garantía es gratuita. No constituye una ampliación ni un nuevo comienzo del periodo de garantía. Las piezas o herramientas intercambiadas pasan a ser de nuestra propiedad. En algunos países, los gastos de envío o correo tendrán que pagarlos el remitente. Sus derechos legales derivados de esta compra de la herramienta no se verán afectados.
- Esta garantía es válida en la Unión Europea, Suiza, Islandia, Noruega, Liechtenstein, Turquía y Rusia. Fuera de estas zonas, póngase en contacto con su distribuidor de RYOBI autorizado para determinar si es aplicable otra garantía.

SERVICIO TÉCNICO AUTORIZADO

Para encontrar el servicio técnico autorizado más cercano, visite <http://es.ryobitools.eu/header/service-and-support/service-agents>.

IT CONDIZIONI DI VALIDITÀ DELLA GARANZIA RYOBI®

In aggiunta ai diritti di legge risultanti dall'acquisto, il prodotto è coperto dalla garanzia sotto descritta.

- Il periodo di garanzia è di 24 mesi per i consumatori, a decorrere dalla data di acquisto del prodotto. La data deve essere documentata da una fattura o altra prova d'acquisto. Il prodotto è progettato e destinato solo all'utilizzo privato dei consumatori. Pertanto non viene fornita alcuna garanzia in caso di uso professionale o commerciale.
- Per una serie di utensili da giardino (CA/CC) è possibile prolungare il periodo di garanzia oltre quello descritto, registrandosi sul sito web www.ryobitools.eu. Gli utensili per i quali è possibile prolungare il periodo di garanzia sono chiaramente indicati nei negozi e/o sulle confezioni e nella documentazione dei prodotti. L'utente deve registrare online l'utensile acquistato entro 30 giorni dalla data di acquisto. L'utente può registrarsi per la garanzia prolungata nel proprio paese di residenza, se questo è elencato nel modulo di registrazione online dove questa opzione sia valida. Inoltre gli utenti devono fornire il proprio consenso alla conservazione dei dati da immettere online e devono accettare le condizioni generali. La conferma di registrazione, inviata tramite e-mail, e la fattura originale indicante la data di acquisto, costituiranno la prova della garanzia prolungata.
- La garanzia copre tutti i difetti del prodotto durante il periodo di garanzia, risultanti da manodopera o materiali alla data di acquisto. La garanzia è limitata alla riparazione e/o sostituzione e non include alcun altro obbligo quali, a mero titolo esemplificativo, i danni incidentali o consequenziali. La garanzia non è valida se il prodotto è stato usato scorrettamente, in modo contrario al manuale di istruzioni o se è stato collegato in modo errato. La garanzia non è valida per:
 - qualsiasi danno al prodotto dovuto a manutenzione errata;
 - qualsiasi prodotto che sia stato alterato o modificato;
 - qualsiasi prodotto le cui marcature di identificazione originali (marchi di fabbrica, numero di serie) siano state cancellate, alterate o rimosse;
 - qualsiasi danno causato dalla non osservanza delle istruzioni del manuale;
 - qualsiasi prodotto privo di omologazione CE;
 - qualsiasi prodotto che sia stato sottoposto a un tentativo di riparazione da parte di un professionista non qualificato oppure senza la previa autorizzazione di Technronic Industries;
 - qualsiasi prodotto collegato a un'alimentazione errata (per ampere, tensione, frequenza);
 - qualsiasi prodotto usato con una miscela di carburante errata (carburante, olio, percentuale di olio);
 - qualsiasi danno causato da influenze esterne (chimiche, fisiche, urti) o sostanze estranee;
 - la normale usura delle parti di ricambio;
 - uso inappropriato, sovraccarico dell'utensile;
 - uso di accessori o parti non omologate;
 - qualsiasi regolazione periodica o pulizia di manutenzione dei carburatori;
 - componenti (parti e accessori) soggetti alla normale usura compresi, a mero titolo esemplificativo, testine a filo, cinghie di trasmissione, frizioni, lame di tagliaspie o tagliaerba, imbragature, cavi di accelerazione, spazzole al carbonio, cavi di alimentazione, denti, rondelle di feltro, perni di aggancio, ventole dei soffiatori, tubi di soffiatori e aspiratori, sacchetti e cinghie per aspirapolvere, barre guida, catene per seghe, tubi, raccordi di connessione, ugelli di spruzzo, ruote, erogatori, bobine interne ed esterne, linee di taglio, candele, filtri dell'aria, filtri del gas, lame per mulching ecc.
- Per la manutenzione il prodotto dev'essere spedito o portato presso uno dei centri assistenza autorizzati RYOBI elencati per ogni paese nel seguente elenco di indirizzi dei centri. In alcuni paesi il rivenditore locale RYOBI si incarica di inviare il prodotto all'organizzazione di assistenza RYOBI. Quando si invia un prodotto a un centro assistenza RYOBI, imballarlo in modo sicuro senza contenuti pericolosi come la benzina, apporre l'indirizzo del mittente e accompagnarlo da una breve descrizione del guasto.
- La riparazione/sostituzione ai sensi della presente garanzia è gratuita. Non costituisce un prolungamento o un nuovo inizio del periodo di garanzia. Le parti o gli utensili scambiati diventano di nostra proprietà. In alcuni paesi i costi di consegna o di spedizione postale devono essere pagati dal mittente. I diritti di legge derivanti dall'acquisto dell'utensile rimangono inalterati.
- La presente garanzia è valida in Unione Europea, Svizzera, Islanda, Norvegia, Liechtenstein, Turchia e Russia. Al di fuori di tali aree contattare il rivenditore autorizzato RYOBI per sapere se è valida un'altra garanzia.

CENTRO SERVIZI AUTORIZZATO

Per individuare il più vicino centro servizi autorizzato, visitare il sito <http://it.ryobitools.eu/header/service-and-support/service-agents>.

NL RYOBI® GARANTIEVOORWAARDEN

Naast de wettelijke rechten die voortvloeien uit de aankoop, wordt dit product gedekt door een garantie, zoals hieronder staat vermeld.

- De garantietermijn voor consumenten bedraagt 24 maanden en gaat in op de datum waarop het product is gekocht. Deze datum moet worden gedocumenteerd met een factuur of een ander aankoopbewijs. Het product is uitsluitend ontworpen en bedoeld voor persoonlijk gebruik door consumenten. Er wordt dus geen garantie gegeven voor professioneel of commercieel gebruik.
- Voor een deel van ons aanbod van tuingeredschappen (AC/DC) is het mogelijk om de garantietermijn te verlengen over de boven beschreven termijn, met behulp van de website www.ryobitools.eu. De gereedschappen die in aanmerking komen voor de verlenging van de garantietermijn wordt duidelijk weergegeven in winkels en/of verpakkingen en staat beschreven in de productdocumentatie. De eindgebruiker moet zijn/haar nieuw gekochte gereedschappen binnen 30 dagen na aankoop online registreren. De eindgebruiker kan zich registreren voor de verlengde garantietermijn als zijn woonland staat vermeld op het online registratieformulier waar deze optie geldig is. Bovendien moeten eindgebruikers toestemming geven voor de opslag van de gegevens die online ingevuld moeten worden en moeten ze de algemene voorwaarden accepteren. Het ontvangstbewijs van de registratie, dat per e-mail wordt verzonden en de oorspronkelijke factuur met de aankoopdatum vormt het bewijs van de verlengde garantietermijn.
- De garantie dekt tijdens de garantietermijn alle gebreken van het product vanwege defecten in vakmanschap of materiaal op de aankoopdatum. De garantie is beperkt tot reparatie en/of vervanging en bevat geen andere verplichtingen, waaronder maar niet beperkt tot incidentele of gevolgschade. De garantie is niet geldig als het product is misbruikt, in strijd met de gebruiksaanwijzing wordt gebruikt of onjuist is aangesloten. Deze garantie geldt niet voor:
 - alle schade aan het product die het gevolg is van onjuist onderhoud
 - elk product dat is veranderd of aangepast
 - elk product waar de oorspronkelijke identificatie (handelsmerk, serienummer) is beschadigd, gewijzigd of verwijderd
 - alle schade die is veroorzaakt door het niet opvolgen van de gebruiksaanwijzing
 - elk niet-CE-product
 - elk product waar een poging tot reparatie is gedaan door een niet-erkende professional of zonder voorafgaande toestemming door Technronic Industries.
 - elk product dat is verbonden met een verkeerde voeding (amperage, spanning, frequentie)
 - elk product dat wordt gebruikt met een verkeerd brandstofmengsel (brandstof, olie, oliegehalte)
 - alle schade die is veroorzaakt door externe invloeden (chemisch, fysisch, schokken) of vreemde stoffen
 - normale slijtage van reserveonderdelen
 - ongepast gebruik, overbelasting van het gereedschap
 - gebruik van niet-goedgekeurde accessoires of onderdelen
 - Alle periodieke aanpassingen aan of het onderhoud en reiniging van carburateurs
 - Componenten (onderdelen en accessoires) die onderhevig zijn aan natuurlijke slijtage, waaronder maar niet beperkt tot stookknoppen, aandrijfmotoren, koppelingen, messen van hegtrimmers of grasmaaiers, harnas, gaskabel, koolstofborstels, stroomsoenen, tanden, viltringen, koppelingsspannen, blazers, blaas- en zuigbuizen, zuigzakken en-riemen, geleidingsstaven, zaagkettingen, slangen, koppelingen, mondstukken, wielen, spuitsokken, binnenhaspels, buitenhaspels, snijdraden, bougies, luchtfilters, gasfilters, maaimessen, etc.
- Voor onderhoud moet het product worden verzonden of gebracht naar een erkend servicestation van RYOBI die voor elk land staan vermeld in de volgende lijst met adressen voor servicestations. In sommige landen zal uw lokale RYOBI-dealer het product verzenden naar de RYOBI-serviceorganisatie. Wanneer u het product naar een servicestation van RYOBI verzendt, moet het product veilig worden verpakt zonder enige gevaarlijke inhoud, zoals benzine, met het adres van de afzender en vergezeld van een korte beschrijving van het defect.
- Een reparatie/vervangende die onder deze garantie valt is gratis. Het vormt geen verlenging of een nieuwe start van de garantietermijn. Verwisselde onderdelen of gereedschappen worden ons eigendom. In sommige landen moeten de verzendkosten door de afzender worden betaald. Uw wettelijke rechten die voortvloeien uit de aankoop van het gereedschap blijven onaangetast.
- Deze garantie is geldig in de Europese Gemeenschap, Zwitserland, IJsland, Noorwegen, Liechtenstein, Turkije en Rusland. Buiten deze gebieden moet u contact opnemen met uw erkende RYOBI-dealer om vast te stellen of er een andere garantie van toepassing is.

GEAUTORISEERD ONDERHOUDSCENTRUM

Om een geautoriseerd onderhoudscentrum in uw buurt te vinden, surf u naar <http://nl.ryobitools.eu/header/service-and-support/service-agents>.

PT CONDIÇÕES DE APLICAÇÃO DA GARANTIA RYOBI®

Para além de quaisquer direitos previstos por lei resultantes da compra, este produto está coberto por uma garantia conforme descrição abaixo.

1. O período da garantia é de 24 meses para consumidores particulares e inicia-se na data de compra do produto. Esta data tem de ser documentada por uma factura ou por outra prova de compra. O produto foi concebido para e destina-se apenas a consumidores particulares e uso privado. Assim, não é dada garantia em caso de utilização por profissionais ou uso comercial.
2. Para uma parte da gama de ferramentas de jardim (AC/DC) existe a possibilidade de prolongamento do período da garantia para além do período descrito acima, mediante registo no Web site www.ryobitools.eu. A elegibilidade das ferramentas para prolongamento do período da garantia é claramente visível nas lojas e/ou nas embalagens e está contida na documentação do produto. O utilizador final tem de fazer o registo online das suas ferramentas recém-adquiridas no prazo de 30 dias após a data de compra. O utilizador final pode fazer o registo para prolongamento da garantia no seu país de residência, desde que esteja listado no formulário de registo online e para os casos em que esta opção seja válida. Para além disso, os utilizadores finais têm de autorizar o armazenamento dos dados cujo preenchimento lhes for solicitado online e têm de aceitar os termos e as condições. O recibo de confirmação do registo é enviado por e-mail e, em conjunto com a factura original ostentando a data de compra, servirá de prova do prolongamento da garantia.
3. A garantia cobre todos os defeitos do produto durante o período da garantia devidos a defeitos de fabrico ou de material à data da compra. A garantia está limitada à reparação e/ou substituição e não inclui quaisquer outras obrigações, incluindo mas não se limitando a, perdas complementares ou indirectas. A garantia não é válida se o produto tiver sido utilizado incorrectamente, utilizado de forma contrária ao Manual de Instruções ou se as respectivas ligações tiverem sido feitas incorrectamente. Esta garantia não se aplica ao seguinte:
 - quaisquer danos ao produto que sejam resultado de manutenção incorrecta
 - qualquer produto que tenha sido alterado ou modificado
 - qualquer produto cujas marcações de identificação de origem (marca comercial, número de série) tiverem sido apagadas, alteradas ou retiradas
 - quaisquer danos causados pelo incumprimento do Manual de Instruções
 - qualquer produto que não seja da Comunidade Europeia
 - qualquer produto ao qual tenha sido feita, ou tentada fazer, uma reparação por outra pessoa que não um profissional habilitado ou sem autorização prévia da Technonic Industries.
 - qualquer produto ligado a uma fonte de alimentação eléctrica incorrecta (Amperes, Voltagem e Frequência)
 - qualquer produto utilizado com uma mistura de combustível incorrecta (combustível, óleo, percentagem de óleo)
 - qualquer dano causado por influências externas (químicas, físicas, impactos) ou substâncias estranhas
 - desgaste e degradação normal de sobresselentes
 - utilização incorrecta, sobrecarga da ferramenta
 - utilização de acessórios ou peças não aprovados
 - quaisquer ajustes periódicos a, ou limpeza de manutenção de, carburadores
 - Componentes (peças e acessórios) sujeitos a desgaste e degradação natural, incluindo mas não se limitando a, maganetas anti-choque, correias de transmissão, embraiagens, lâminas de recortadores de sebes ou corta-relvas, arneses, cabos de acelerador, escovas de carvão, cabos eléctricos, dentes, anilhas de feltro, pinos de engate, ventoinhas do soprador, tubos do soprador e do aspirador, cintas e sacos do aspirador, barras de guia, correntes de serra, mangueiras, peças de ligação, bocais de pulverização, rodas, varinhas de pulverização, bobinas interiores, bobinas exteriores, linhas de corte, velas de ignição, filtros do ar, filtros de gasolina, lâminas trituradoras, etc.
4. Para assistência, o produto tem de ser enviado para, ou apresentado em, um posto de assistência autorizado RYOBI, conforme listado para cada país na lista de moradas de postos de assistência seguinte. Nalguns países, o seu concessionário RYOBI local encarega-se de enviar o produto para a organização de assistência RYOBI. Quando enviar um produto para um posto de assistência RYOBI, o produto deve ser embalado de forma segura, sem conter nenhuns conteúdos perigosos (por exemplo, gasolina), marcado com o endereço do remetente e acompanhado por uma breve descrição da avaria.
5. Uma reparação/substituição ao abrigo desta garantia é gratuita. Não constitui um prolongamento a, nem um novo início de, o período da garantia. As peças ou ferramentas substituídas tornam-se propriedade nossa. Nalguns países, o remetente terá de pagar os custos de entrega ou a remessa postal. Os seus direitos previstos por lei resultantes da compra da ferramenta mantêm-se inalterados
6. Esta garantia é válida na Comunidade Europeia, Suíça, Islândia, Noruega, Liechtenstein, Turquia e Rússia. Fora destas áreas, entre em contacto com o seu concessionário autorizado RYOBI para determinar se existe outra garantia aplicável.

CENTRO DE ASSISTÊNCIA AUTORIZADO

Para encontrar um centro de assistência autorizado próximo de si, visite <http://pt.ryobitools.eu/header/service-and-support/service-agents>.

DA RYOBI® BETINGELSER FOR GARANTI

Udover lovbestemte rettigheder, som resulterer af købet, er dette produkt dækket af en garanti, som anføres herunder.

1. Garantiperioden er 24 måneder for forbrugere og begynder på den dato, som produktet blev købt. Denne dato skal dokumenteres af en faktura eller andet bevis for køb. Produktet er udelukkende designet og dedikeret til forbrugere og privat brug. Så der ydes ingen garanti til tilfældige af professionelle eller kommerciel brug.
2. Der er en mulighed for at forlænge garantiperioden for en del af udvalget af haveværktøj (AC/DC), hen over den ovenfor beskrevne periode vha. registrering på hjemmesiden www.ryobitools.eu. Berettigelsen af værktøjet til forlængelse af garantiperioden er tydeligt vist i butikker og/eller på emballage/og indeholdt i produktokumentationen. Slutbruger skal registrere hans/hendes nyligt indkøbte værktøj online indenfor 30 dage efter købsdatoen. Slutbruger kan registrere sig for den forlængede garanti i sit land, hvis han/hun er opført på den online registreringsformular, hvor denne mulighed er gyldig. Derudover skal slutbrugere give deres samtykke til at opbevare data, som er påkrævet til indtaste online, og de er nødt til at acceptere vilkår og betingelser. Registreringsbekræftelseskvitteringen, som sendes ud på e-mail, og den originale faktura, som viser købsdatoen, vil fungere som bevis for den forlængede garanti.
3. Garantien dækker alle defekter, som et produkt måtte have i løbet af garantiperioden, og som skyldes produktionsfejl eller materialefejl på købsdatoen. Garantien er begrænset til reparation og/eller udskiftning og inkluderer ikke andre forpligtelser, inklusiv men ikke begrænset til tilfældige skader eller følgeskader. Garantien er ugyldig, hvis produktet er blevet misbrugt, brugt uden at overholde vejledningen, eller det er blevet forkert tilslett. Denne garanti gælder ikke:
 - Beskadigelse af produktet, som er et resultat af uegnet vedligeholdelse
 - Et produkt der er blevet ændret eller modificeret
 - Et produkt hvor de originale identifikationsmærkninger (varemærke, serienummer) er blevet ødelagt, ændret eller fjernet.
 - Enhver beskadigelse forårsaget af manglende overholdelse af vejledningen
 - Ethvert ikke CE-produkt
 - Ethvert produkt som er blevet forårsaget af en ukvalificeret professionel eller uden tidligere foranstaltning af Technonic Industries.
 - Ethvert produkt som er tilslettet uegnet strømforsyning (ampere, spænding, frekvens)
 - Ethvert produkt som bruges med uegnet brændstoftilblanding (brændstof, olie, procentdel olie)
 - Enhver skade forårsaget af ekstern påvirkning (kemisk, fysisk, chok) eller fremmedelementer
 - Normal slid på reservedele
 - Uegnet brug, overbelastning af værktøjet
 - Brug af ikke-godkendt tilbehør eller dele
 - Alle regelmæssige justeringer eller vedligeholdelsesrengøring af karburatorer
 - Komponenter (dele og tilbehør) som er udsat for naturlig slid og ælde, inklusiv men ikke begrænset til drejeknapper, drivrem, greb, klinger til hæktrimmere eller plæneklippere, sele, kabel gasspjæld, kulbørster, elledning, tænder, filtskiver, ophængstapper, blæserventilatorer, blæser- og sugeslanger, sugepose og stropper, styrestænger, savkæder, slanger, forbindelsespakninger, sprøjtedyser, hjul, sprøjtetave, indvendige ruller, udvendige ruller, udvendige spoler, skærelinjer, tændrør, luftfilter, gasfilter, tildækningsblade etc.
4. For eftersyn skal produktet sendes til eller præsenteres for en RYOBI-autoriseret service værksted, som er oplyst for hvert land i den følgende liste over service værksted adresser. I nogle lande påtager din lokale RYOBI-forhandler sig ansvaret for at sende produktet til RYOBI-serviceorganisationen. Når et produkt sendes til en RYOBI-service værksted, skal det pakkes sikkert ind uden noget farligt indhold som benzin, mærkes med afsenderens adresse og med en kort beskrivelse af fejlen.
5. En reparation/erstatning under denne garanti er gratis. Den udgør ikke en forlængelse eller en ny start på garantiperioden. Uvedligede dele eller værktøjer bliver vores ejendom. I nogle lande skal leveringsafgifter eller porto betales af afsenderen. Dine lovbestemte rettigheder i forbindelse med købet forbliver uanfægtede
6. Denne garanti gælder i EU, Schweiz, Island, Norge, Liechtenstein, Tyrkiet og Rusland. Udenfor disse områder bedes du kontakte din autoriserede RYOBI-forhandler for at afgøre, om en anden garanti gælder.

AUTORISEREDE SERVICEVÆRKSTEDER

Find nærmeste autoriserede serviceværksted på <http://dk.ryobitools.eu/header/service-and-support/service-agents>.

SV RYOBI® ANVÄNDNINGSVILLKOR FÖR GARANTI

Förutom eventuella lagstadgade rättigheter som uppstår genom köpet, täcks den här produkten av en garanti som anges nedan.

- Garantiperioden är 24 månader för konsumenter och börjar gälla från det datum då produkten köptes. Detta datum måste dokumenteras på en faktura eller annat köpbevis. Produkten är utformad och avsedd för konsumenter och privat bruk. Därmed tillhandahålls ingen garanti vid yrkesmässigt eller kommersiellt bruk.
- Det finns möjlighet att förlänga garantiperioden för en del av utbudet för trädgårdsverktyg (AC/DC) under den period som anges ovan genom att använda registreringen på webbplatsen www.ryobitools.eu. De verktyg som är berättigade till en förlängning av garantiperioden visas tydligt i butik och/eller på förpackningen och anges i produktdokumentationen. Slutanvändaren behöver registrera hans/hennes nyförvävade verktyg online inom 30 dagar från köpdatumet. Slutanvändaren kan registrera sig för den förlängda garantin i det land där han/hon bor om landet finns angivet i registreringsformuläret online och där detta alternativ är giltigt. Dessutom måste slutanvändaren ge sitt medgivande till lagring av data vilket krävs vid registrering online samt acceptera villkoren. Bekräftelsekvittot för registreringen som skickas ut via e-post och originalfakturan som visar köpdatumet kommer att gälla som bevis för den förlängda garantin.
- Garanti täcker alla produktdefekter under garantiperioden som beror på brister i utförande eller material vid köpdatumet. Garantin är begränsad gällande reparation och/eller utbyte och inkluderar inte några skyldigheter inklusive men inte begränsat till oförutsedda skador eller följdskador. Garantin är inte giltig om produkten har missbrukats, använts i strid med bruksanvisningen eller inte anslutits på rätt sätt. Denna garanti täcker inte:
 - eventuella skador på produkten som uppstått till följd av felaktigt underhåll
 - produkter som har ändrats eller modifierats
 - produkter där ursprungliga identifieringsmärkningarna (varumärke, serienummer) har målats över, ändrats eller tagits bort
 - eventuella skador som uppstått till följd av att bruksanvisningen inte efterföljts
 - alla icke CE-produkter
 - eventuella produkter som har försökts repareras av en icke-kvalificerad yrkesman eller utan föregående medgivande från Techtronic Industries.
 - eventuella produkter som anslutits till felaktig strömförsörjning (ampere, volt, frekvens)
 - eventuella produkter som använts med olämplig bränsleblandning (bränsle, olja, oljeprocent)
 - eventuella skador som uppstått till följd av yttre påverkan (kemisk, fysisk, stöt) eller främmande ämnen
 - normalt slitage av reservdelar
 - olämplig användning, överbelastning av verktyget
 - användningen av icke-godkända tillbehör eller delar
 - Eventuella periodiska justeringar av eller vid underhållsrengöring av förgasare
 - Komponenter (delar och tillbehör) är föremål för naturligt slitage, inklusive men inte begränsat till tryckknappar, drivremmar, koppling, blad till kantrimrar eller gräsklippare, sele, gasreglagevajer, kolborstar, strömsladd, spetsar, filtbrickor, kopplingsprint, blåsfäkt, blås- och sugrör, sugpåse och remmar, styrskenor, sägkedjor, slangar, anslutningsdonördel, spraymunstycken, hjul, spraystavar, innerrullar, ytterspolar, skärtråd, tändstift, luftfilter, gasfilter, sönderdelningsblad osv.
- Vid service måste produkten skickas eller uppvisas för en RYOBI- auktoriserad servicestation som står angiven för varje land i följande adresslista över servicestationer. I vissa länder tar din lokala RYOBI- återförsäljare på sig ansvaret att skicka produkten till RYOBI- serviceorganisationen. När en produkt skickas till en RYOBI-servicestation, ska produkten paketeras säkert utan något farligt innehåll såsom bensin, markeras med avståndens adress samt en kort beskrivning av felet.
- En reparation/ett utbyte under denna garanti är kostnadsfri. Det utgör inte en förlängning eller förnyelse av garantiperioden. Utbyta delar eller verktyg blir vår egendom. I vissa länder måste leveranskostnader eller porto betalas av avståndens. Dina lagstadgade rättigheter som härrör från köpet av verktyget förblir opåverkade
- Denna garanti är giltig i Europeiska gemenskapen: Schweiz, Island, Norge, Liechtenstein, Turkiet och Ryssland. Utanför dessa länder, kontakta din auktoriserade RYOBI-återförsäljare för att avgöra om en annan garanti gäller.

AUKTORISERAT SERVICECENTER

Du hittar närmaste auktoriserade servicecenter genom att gå till <http://se.ryobitools.eu/header/service-and-support/service-agents>.

FI RYOBI®-TAKUUN SOVELTAMISEHDOT

Tällä tuotteella on oston luomien lakisäasteiden oikeuksien ohella alla mainitun mukainen takuu.

- Takuun kesto on kuluttajille 24 kuukautta ja takuuaika alkaa tuotteen ostohetkestä. Tämän päivämäärän tulee lukea laskussa tai muussa ostositotteesta. Tuote on suunniteltu ja tarkoitettu vain kuluttajien ja yksityiseen käyttöön. Takuu ei siis kata ammatti- eikä kaupallista käyttöä.
- Joidenkin puutarhatyökalujen (AC/DC) takuun kesto on mahdollista laajentaa yllä mainittua kestoä pidemmäksi verkkosivuston www.ryobitools.eu rekisteröinnin kautta. Työkalujen kelpoisuus takuujakson laajennukseen näkyy selkeästi myymälöissä ja/tai pakkauskissa ja/tai tämä tieto sisältyy tuotetiedokuntaan. Loppukäyttäjän täytyy rekisteröidä vasta hankittu työkalu internetissä 30 päivän kuluessa ostopäivämäärästä. Loppukäyttäjän voi rekisteröidä laajennetun takuun kotimaassaan, jos se on luettuna online-rekisteröintilomakkeessa, jossa mainitaan, missä tämä vaihtoehto on voimassa. Loppukäyttäjien täytyy lisäksi hyväksyä tietojen tallennus, jotka heidän täytyy antaa online-tilassa sekä ehdot. Rekisteröinnin vahvistuskuitti, joka lähetetään sähköpostitse, ja alkuperäinen ostopäivämäärän ilmaiseva lasku toimivat laajennetun takuun tositteina.
- Takuu kattaa kaikki tuotteen takuuaikana tulevat viat, joiden aiheuttajina ovat tuotteen ostopäivän olleet valmistus- tai materiaaliviat. Takuu on rajoitettu korjaukseen ja/tai vaihtoon eikä se sisällä mitään muita velvoitteita mukaan lukien satunnais- ja seurannaisvahinkoja, mutta rajoittumatta niihin. Takuu ei päde, jos tuotetta on käytetty väärin, käyttöohjeen vastaisesti tai jos se on liitetty virheellisesti. Tämä takuu ei kata:
 - virheellisesti huolosta johtuvia vaurioita
 - muunnettua tai muutettua tuotetta
 - tuotetta, jonka alkuperäiset tunnistemerkinnät (tavaramerkki, sarjanumero) on turmeltu, muutettu tai poistettu
 - tämän käyttööppään laiminlyönnistä johtuvia vaurioita
 - ei-CE-tuotetta
 - tuotetta, jota on yrittänyt korjata epäpätevä ammattilainen tai joka on rajoittu ilman Techtronic Industries ennakkolupaa.
 - tuotetta, joka on liitetty virheelliseen teholahteeseen (ampeirit, jännite, taajuus)
 - tuotetta, jossa on käytetty väärää polttoaineseosta (polttoaine, öljy, öljyprosentti)
 - ulkoisten vaikutusten (kemiallinen, fyysinen, iskut) tai vieraiden aineiden aiheuttamaa vauriota
 - normaaleja kuluvia varaosia
 - virheellistä käyttöä, työkalun ylikuormitusta
 - ei-hyväksytytjen tarvikkeiden tai osien käyttöä
 - Kaasutinten säännöllistä säätöä tai ylläpitävää puhdistusta
 - Luonnollisesti kuluvia komponentteja (osia tai tarvikkeita), joihin sisältyvät puskunupit, käyttöihinat, kytkin, pensasleikkuriin tai ruohonleikkuriin terät, valjaat, kaasuvaijeri, hiiharijat, virtajohto, piikit, huopatiivisteet, sokkatapit, puhallinten tuulettimet, puhallin- ja imuputket, imuriin säkit ja hinnat, terälevyt, sahankeijut, letkut, liitososat, suihkusuihuttimet, pyörät, ruiskutusputket, sisä- ja ulkokelat, leikkuusuiimat, hehkutulpat, ilmansuodattimet, kaasusuodattimet, silppuperät yms. näihin kuitenkin rajoittumatta.
- Tuote on lähetettävä huollettavaksi valituttuun RYOBI-huoltoon tai näytettävä silleä. Niiden osissaett kussakin maassa löytyvät seuraavasta luettelosta. Joissakin maissa paikallinen RYOBI-jälleenmyyjä huolehtii tuotteen lähetyksestä RYOBI-huolto-organisaatioon. Kun tuote lähetetään RYOBI-huoltoon, se täytyy pakata hyvin ilman vaarallisia aineita, kuten polttoainetta, ja pakkaukseen täytyy merkitä lähettäjän nimi sekä vian lyhyt kuvaus.
- Takuun kattama korjaus/vaihto on maksuton. Se ei tarkoita takuujajan laajennusta tai alkamista alusta. Vahdetut osat tai työkalut siirtyvät valmistajan omistukseen. Joissakin maissa lähettäjän täytyy maksaa lähetyskustannukset tai postikulut. Työkalun oston luomat lakisäasteiset oikeudet pysyvät koskemattomina
- Tämä takuu on voimassa Euroopan yhteisössä, Sveitsissä, Islannissa, Norjassa, Liechtensteinissa, Turkissa ja Venäjällä. Ota näiden alueiden ulkopuolella yhteyttä omaan valituttuun RYOBI-jälleenmyyjään ja selvitä, onko jotain muuta takuuta.

VALTUUTETTU HUOLTO

Voit etsiä lähimmän valituttuun huoltoon sivulta <http://fi.ryobitools.eu/header/service-and-support/service-agents>.

NO RYOBI® GARANTIBETINGELSER

I tillegg til eventuelle lovbestemte rettigheter som følger av kjøpet, er dette produktet dekket av en garanti som angitt nedenfor.

- Garantiperioden er 24 måneder for konsumenter og gjelder fra den datoen som produktet ble kjøpt. Denne datoen skal dokumenteres med en faktura eller annet kjøpsbevis. Produktet er designet og beregnet kun til konsument- og privat bruk. Så det gis ingen garanti ved profesjonell eller kommersiell bruk.
- For en del av utvalget av hageverktøy (AC/DC) er det mulighet til å utvide garantiperioden i den perioden som er beskrevet ovenfor ved bruk av registreringene på nettstedene www.ryobitools.eu. Kvalifiseringen av verktøyene for en utvidelse av garantiperioden er tydelig vist i butikker og 7eller på pakningen / og finnes innen produktdokumentasjonen. Sluttbrukeren må registrere sine nylig anskaffede verktøy online innen 30 dager etter kjøpsdato. Sluttbrukeren kan registrere seg for den utvidede garantien i sitt land hvis det er opplistet på online registreringsskjemaet der dette alternativet er gyldig. Videre må sluttbrukere gi sitt samtykke til oppbevaring av dataene som kreves for å gå online, og de må godta vilkår og betingelser. Registreringsbekreftelsen, som sendes ut på e-post, og den originale fakturaen som viser kjøpsdato, vil tjene som bevis for den utvidede garantien.
- Garantien dekker alle defekter i produktet under garantiperioden på grunn av defekter i utførelse eller materiale på kjøpsdato. Garantien er begrenset til å reparere og/eller erstatte og inkluderer ikke noen andre forpliktelser, inkludert, men ikke begrenset til, tilfeldige eller følgesmessige skader. Garantien er ikke gyldig hvis produktet har blitt misbrukt, brukt på annen måte enn det som beskrives i bruksanvisningen eller er koblet til på feil måte. Denne garantien gjelder ikke for:
 - enhver skade på produktet som er resultat av utilstrekkelig vedlikehold
 - ethvert produkt som har blitt endret eller modifisert
 - ethvert produkt der de originale identifiseringsmerkene (varemerke, serienummer) har blitt uleselig, er endret eller fjernet
 - enhver skade som forårsakes av ikke-overholdelse av instruksjonshåndboken
 - ethvert ikke-CE-produkt
 - ethvert produkt som har blitt forsøkt reparert eller av en ikke-kvalifisert fagperson eller uten tidligere autorisasjon fra Techntron Industries.
 - ethvert produkt tilkoblet feil strømforsyning (ampere, spenning, frekvens)
 - ethvert produkt som brukes med feil drivstoffblanding (drivstoff, olje, prosentandel olje)
 - enhver skade som er forårsaket av eksterne påvirkninger (kjemiske, fysiske, støt) eller fremmede stoffer
 - normal slitasje og sliteserøvedeler
 - feil bruk, overbelastning av verktøyet
 - bruk av ikke-godkjent tilbehør eller deler
 - Eventuelle periodiske justeringer av eller vedlikeholdsrengjøring av forbrennere
 - Komponenter (deler og tilbehør) som er underlagt naturlig slitasje, inkludert, men ikke begrenset til bulkknøtter, drivreimer, clutch, blader på hektrimmere eller gressklippere, seler, kabelspjeld, karbonbørster, strømledning, kniver, feltpakninger, heispinner, blåsevifter, blåse- og vakuumslangler, vakuumpose og reimer, førerstenger, sagkjeder, strømpere, koblingsmonteringer, spraydyser, hjul, spraystenger, indre spoler, ytre spoler, kuttelinjer, tennplugger, luftfilter, gassfilter, mulchingblader osv.
- For service må produktet sendes eller fremlegges for en RYOBI-autorisert servicestasjon opplistet for hvert land i den følgende listen over servicestasjonsadresser. I noen land sender den lokale RYOBI-forhandleren produktet til RYOBI serviceorganisasjonen. Ved å sende et produkt til en RYOBI servicestasjon skal produktet være sikkert pakket uten noe farlig innhold, slik som bensin, merket med senderens adresse og fulgt av en kort beskrivelse av feilen.
- En reparasjon/erstatning under denne garantien er gratis. Den utgjør ingen forlengelse eller en ny start av garantiperioden. Utvekslede deler eller verktøy blir vår eiendom. I noen land vil leveringskostnader eller franking måtte betales av senderen. Dine lovbestemte rettigheter som oppstår fra kjøp av verktøyet forblir uberørt.
- Denne garantien er gyldig i EU, Sveits, Island, Norge, Liechtenstein, Tyrkia og Russland. Utenfor disse områdene ta kontakt med din autoriserte RYOBI-forhandler om en annen garanti gjelder.

AUTORISERT SERVICESENTER

For å finne et autorisert servicecenter i nærheten, gå til <http://no.ryobitools.eu/header/service-and-support/service-agents>.

RU УСЛОВИЯ ПРИМЕНЕНИЯ ГАРАНТИИ НА ПРОДУКЦИЮ RYOBI®

Помимо законных прав, возникающих при покупке, данное изделие покрывается гарантией в соответствии с приведенными ниже пунктами.

- Гарантийный период для покупателя составляет 24 месяца с даты покупки изделия. Дата покупки должна быть подтверждена полностью заполненным гарантийным талоном и чеком о покупке. Данное изделие предназначено только для частного использования покупателем. Поэтому гарантия не распространяется на использование в профессиональных или коммерческих целях.
- Предусмотрена возможность продления для части изделий линейки садовых инструментов (AC/DC) гарантийного периода с помощью регистрации на сайте www.ryobitools.eu. Право инструмента на продление гарантийного периода четко указано в магазинах и / или на упаковке / и содержится в сопутствующей инструменту документации. Конечный пользователь должен зарегистрировать свой приобретенный инструмент в течение 30 дней с даты покупки. Конечный пользователь может зарегистрировать свой инструмент на продление гарантии в стране своего проживания, если она указана в форме онлайн-регистрации. Кроме того, конечный пользователь должен дать свое согласие на хранение данных, которое необходимо ввести в онлайн-форму и принять правила и условия. Подтверждение регистрации, которое вы получите по электронной почте, заполненный гарантийный талон и оригинальный чек, в котором указана дата покупки, будут служить доказательством продленной гарантии.
- Гарантия покрывает в течение гарантийного периода все дефекты качества или материала изделия на дату покупки. Гарантия ограничена ремонтом и / или заменой и не включает никакие другие обязательства, включая, но не ограничиваясь случайными или косвенными убытками. Гарантия становится недействительной, если изделие использовалось не по назначению, вопреки инструкциям, данным в Руководстве пользователя или было неправильно подключено. Настоящая гарантия не распространяется на:
 - любые повреждения изделия в результате неправильного технического обслуживания или недостаточного ухода за инструментом
 - любые изделия, подвергшиеся изменениям и модификации
 - любые изделия, оригинальные идентификационные отметки которого (торговая марка, серийный номер) были повреждены, изменены или удалены
 - любые повреждения, вызванные несоблюдением инструкций Руководства пользователя
 - любые изделия, не сертифицированные маркировкой "CE" для продажи в Европейском союзе
 - любые изделия, подвергшиеся попыткам ремонта невалифицированным работником или без предварительного утверждения компании Techntron Industries.
 - любые изделия, подключенные к неправильному источнику питания (сила тока, напряжение, частота)
 - любые изделия, в которых использовались несоответствующие топливные смеси (топливо, масло, процент масла)
 - любые повреждения, вызванные внешними воздействиями (химические, физические, удары) или посторонними веществами
 - естественный износ запасных деталей
 - несоответствующее использование, перегрузка инструмента
 - использование неутвержденных аксессуаров и неоригинальных запасных деталей
 - любые регулярные регулировки, техническое обслуживание или чистка карбюраторов
 - компоненты (детали и аксессуары), подверженные естественному износу, включая, но не ограничиваясь фиксаторы шпильки приводные ремни, ценные муфты, лезвия триммеров и газонокосилок, плечевые ремни, кабельный дроссельный регулятор, угольные щетки, кабели питания, зубья, войлочные шайбы, фиксирующие шпильки, вентиляторы воздуходувки, трубки воздуходувки и пылесоса, мешок для сбора мусора и ремни, пыльные шины, пыльные цепи, шланги, соединительные детали, распылительные насадки, колеса, распылительные переходники, внутренние катушки и шпильки, режущую леску, свечи зажигания, воздушные и топливные фильтры, мульчирующие лезвия и др.
- Для проведения технического обслуживания изделие следует направлять в авторизованные сервисные центры RYOBI, указанные для каждой страны в приведенном ниже списке адресов станций сервисного обслуживания. В некоторых странах местные дилеры RYOBI отправляют изделия в сервисные организации RYOBI. При отправке изделия в сервисный центр RYOBI, изделие должно быть безопасно упаковано и не содержать никаких опасных веществ, таких как бензин, должен быть подписан адрес отправителя и сопровождаться кратким описанием неисправности.
- Ремонт / замена проводится в рамках настоящей гарантии бесплатно. Он не продлевает гарантию и не начинает новый гарантийный период. Заменяемые детали и инструменты становятся нашей собственностью. В некоторых странах отправитель должен оплачивать стоимость отправки. Ваши законные права, возникающие при покупке инструмента, остаются неизменными
- Данная гарантия действительна в Европейском Сообществе, Швейцарии, Исландии, Норвегии, Лихтенштейне, Турции и России. Вне указанных территорий обращайтесь к своему авторизованному дилеру RYOBI, чтобы узнать, применяются ли условия каких-либо других гарантий.

УПОЛНОМОЧЕННЫЙ СЕРВИСНЫЙ ЦЕНТР

Чтобы найти ближайший уполномоченный сервисный центр, обратитесь к веб-сайту <http://ru.ryobitools.eu/header/service-and-support/service-agents>.

PL WARUNKI GWARANCJI RYOBI®

Oprócz praw ustawowych wynikających z zakupu produkt jest objęty gwarancją, której warunki podano poniżej.

- Okres gwarancyjny wynosi 24 miesiące dla konsumentów i rozpoczyna się w dniu zakupu produktu. Datę zakupu należy udokumentować fakturą lub innym dowodem zakupu. Produkt został zaprojektowany i jest przeznaczony do użytku konsumenckiego i prywatnego. W związku z tym gwarancja nie obejmuje zastosowań profesjonalnych i komercyjnych.
- Istnieje możliwość wydłużenia okresu gwarancyjnego dla części asortymentu narzędzi ogrodniczych (AC/DC) poprzez zarejestrowanie produktu na stronie internetowej www.ryobitools.eu. Kwalifikowalność narzędzi do wydłużenia okresu gwarancyjnego jest wyraźnie określona w sklepach i/lub na opakowaniu oraz w dokumentacji produktu. Użytkownik końcowy musi zarejestrować nowo kupione narzędzia online w ciągu 30 dni od daty zakupu. Użytkownik końcowy może zarejestrować się w celu przedłużenia gwarancji w swoim kraju zamieszkania, jeżeli jest on wymieniony w formularzu rejestracji online, gdzie opcja ta obowiązuje. Ponadto użytkownicy końcowi muszą wyrazić zgodę na przechowywanie danych, wprowadzanych na stronie internetowej i zaakceptować regulamin. Dowodem wydłużenia gwarancji jest wysłane pocztą elektroniczną potwierdzenie rejestracji i oryginalny fakturę potwierdzającą datę zakupu.
- Gwarancja obejmuje wszystkie wady produktu ujawnione w okresie gwarancyjnym wynikające usterki wykonania lub materiału obecnego w dniu zakupu. Gwarancja jest ograniczona do naprawy i/lub wymiany i nie obejmuje żadnych innych zobowiązań, w tym między innymi odpowiedzialności za szkody przypadkowe lub wtórne. Gwarancja nie obowiązuje, jeżeli produkt był nieprawidłowo używany, używany niezgodnie z instrukcją lub nie był prawidłowo podłączony. Gwarancja nie obejmuje:
 - uszkodzenia produktu wynikającego z nieprawidłowej konserwacji,
 - produktu, który został zmieniony lub zmodyfikowany,
 - produktu, którego oryginalne oznaczenie (znak towarowy, numer seryjny) zostało zniszczone, zmienione lub usunięte,
 - jakichkolwiek uszkodzeń wynikających z nieprzestrzegania instrukcji,
 - jakiegokolwiek produktu bez certyfikatu CE,
 - jakiegokolwiek produktu, który próbowano naprawiać z pomocą niewykwalifikowanej osoby lub bez uzyskania wcześniejszej zgody firmy Techtronic Industries.
 - jakiegokolwiek produktu podłączonego nie nieprawidłowego źródła zasilania (nieprawidłowe napięcie prądu, napięcie, czystość),
 - jakiegokolwiek produktu, który był używany z nieprawidłową mieszanką paliwową (paliwo, olej, procentowy udział oleju),
 - jakichkolwiek uszkodzeń spowodowanych wpływem czynników zewnętrznych (chemicznych, fizycznych, drgan) lub substancji obcych,
 - normalnego zużycia części zamiennych,
 - nieprawidłowego użycia, przeciążenia narzędzia,
 - stosowania niezatwierdzonych akcesoriów lub części,
 - jakichkolwiek okresowych regulacji lub czyszczenia gaźników w ramach konserwacji
 - elementów (części i akcesoriów) podlegających naturalnemu zużyciu, obejmujących, między innymi, kopułki do zwalniania żyłki, pasy napędowe, sprężelno, ostrza przycinarek do żywoptłotów lub kosiarzek do trawy, urząz, przepustnicę linkową, szcztolki węglowe, przewód zasilania, zęby, podkładki filcowe, kolki podnośnika, wentylatory dmuchawy, rury nadmuchowe i ssawne, worek na śmieci i paski, prowadnice, łańcuchy piły, węże, mocowanie złącz, dysze natryskowe, koła, ostrza natryskowe, szpule wewnętrzne, szpule zewnętrzne, filtry gaza, opręta do ściółkowania itp.
- W celu serwisowania produkt należy wysłać lub okazać w autoryzowanym punkcie serwisowym RYOBI znajdującym się na przedstawionym poniżej wykazie punktów serwisowych w poszczególnych krajach. W niektórych krajach lokalny dystrybutor produktów RYOBI podejmuje się wysyłki produktu do centrum serwisowego RYOBI. W przypadku wysyłki do punktu serwisowego RYOBI produkt — pozbawiony jakichkolwiek niebezpiecznych substancji, na przykład benzyny — należy bezpiecznie zapakować i dołączyć adres nadawcy oraz krótki opis usterki.
- Naprawa/wymiana w ramach niniejszej gwarancji jest bezpłatna. Nie stanowi jednak o przedłużeniu lub rozpoczęciu od nowa biegu okresu gwarancyjnego. Wymienione części lub narzędzia stają się naszą własnością. W przypadku niektórych krajów nadawca będzie musiał uregulować koszty dostawy lub opłaty pocztowe. Prawa ustawowe wynikające z zakupu narzędzia pozostają niezmienione.
- Niniejsza gwarancja obowiązuje w Unii Europejskiej, Szwajcarii, Islandii, Norwegii, Liechtensteinie, Turcji i Rosji. Poza tymi obszarami należy skontaktować się z autoryzowanym dostawcą produktów RYOBI i ustalić, czy obowiązuje inna gwarancja.

AUTORYZOWANY PUNKT SERWISOWY

Najbliższy autoryzowany punkt serwisowy można wyszukać w witrynie internetowej <http://pl.ryobitools.eu/header/service-and-support/service-agents>.

CS ZÁRUČNÍ PODMÍNKY RYOBI®

Kromě zákonných práv vyplývajících z koupě výrobku se na tento výrobek vztahuje také níže uvedené záruka.

- Záruční doba pro spotřebitele je 24 měsíců a začíná datem nákupu výrobku. Datum musí být zaznamenáno na faktuře nebo jiném dokladu o koupi. Tento výrobek je navržen a určen pouze pro soukromé účely spotřebitelů. Záruka se tedy nevztahuje na profesionální nebo komerční využití výrobku.
- U některých zahradních nástrojů (AC/DC) je možné záruční dobu prodloužit. K tomu je nutná registrace na stránkách www.ryobitools.eu. Možnost prodloužené záruční doby výrobků je jasně uvedena v prodejních, popř. na obalech nebo v dokumentech o výrobku. Koncový uživatel musí svůj nový nástroj zaregistrovat online do 30 dnů od data nákupu. Koncový uživatel se může k prodloužené záruční době zaregistrovat v zemi trvalého pobytu, pokud je tato uvedena na internetovém registračním formuláři u výrobku, kde je tato možnost dostupná. Koncoví uživatelé musí dále souhlasit s uložením osobních údajů, která musí zadat na internetu, a přijmout obchodní podmínky. E-mail s potvrzením registrace a původní faktura s datem koupě poslouží jako důkaz o prodloužené záruce.
- Záruka se vztahuje na veškeré vady na výrobku v rámci záruční doby způsobené výrobními vadami nebo vadami materiálu v době koupě. Záruka je omezena na opravu, popřípadě výměnu a nezahrnuje žádné další povinnosti, včetně mimo jiné vedlejších či následných odškodnění. Záruka neplatí při použití výrobku k nevhodným účelům, v rozporu s uživatelskou příručkou nebo při nesprávném zapojení. Záruka se nevztahuje na:
 - veškeré škody na výrobku způsobené nesprávnou údržbou
 - veškeré produkty, které byly pozměněny nebo opraveny
 - veškeré produkty, kde byly původní identifikační prvky (obchodní značka, sériové číslo) poničeny, pozměněny nebo odstraněny
 - veškeré škody způsobené nedodržováním pokynů uživatelské příručky
 - veškeré produkty bez CE certifikace
 - veškeré produkty, které se pokusil opravit nekvalifikovaný odborník nebo opravy bez předchozího svolení společnosti Techtronic Industries.
 - veškeré produkty zapojené do nesprávného elektrického zdroje (proud, napětí, frekvence)
 - veškeré produkty používané s nevhodnou palivovou směsí (paliwo, olej, procento oleje)
 - veškeré škody způsobené externími vlivy (chemickými, fyzickými, nárazy) nebo cizími látkami
 - běžné opotřebování dílů
 - nevhodné použití, přetěžování nástroje
 - použití neschválených příslušenství nebo dílů
 - veškerá pravidelná seřízení nebo čištění v rámci údržby karburátorů
 - komponenty (díly a příslušenství) podléhající opotřebení, včetně mimo jiné nárazových koleček, posuvných pásů, spojek, nožů plotových nůžek a sekaček na trávu, popruhu, plynového lanka, karbonových kartáčů, napájecího kabelu, zubů, plstěných podložek, závěsných kolků, větráků fukaru, trubic fukaru a vysavače, vaku a popruhu vysavače, vodících lišt, pilových řetězů, hadic, konektorů, trysek, kol, stříkacích tyčí, vnitřních cívek, vnějších kotoučů, řezných strun, zapalovacích svíček, vzduchových filtrů, plynových filtrů, mulčovačích nožů atd.
- K provedení servisu musí být výrobek zaslán nebo předán do autorizovaného servisního centra společnosti RYOBI, jejichž adresy jsou uvedeny podle zemi v seznamu servisních center. V některých zemích za vás výrobek pošle servisní organizaci RYOBI sám prodejce výrobků této značky. Při zaslání výrobku do servisního centra RYOBI je potřeba výrobek bezpečně zabalit bez nebezpečného obsahu jako benzín, opatřit adresou odesílatele a připojit krátký popis závady.
- Oprava, popř. výměna v rámci této záruky je zdarma. Neznamená to prodloužení nebo začátek nové záruční lhůty. Vyměněné díly nebo nástroje přejdou do našeho vlastnictví. V některých zemích platí poštovné odesílatele. Vaše zákonná práva vyplývající z koupě tohoto nástroje zůstávají nedotčená.
- Tato záruka platí v Evropském Společenství, Švýcarsku, Norsku, Lichtenštejnsku, Turecku, Rusku a na Islandu. Mimo tato území kontaktujte autorizovaného prodejce značky RYOBI, který zjistí, zda se na výrobek vztahuje jiná záruka.

POVĚŘENÉ SERVISNÍ STŘEDISKO

Pro nalezení nejbližšího pověřeného servisního střediska navštivte <http://cz.ryobitools.eu/header/service-and-support/service-agents>.

HU A RYOBI® GARANCIA ALKALMAZÁSÁNAK FELTÉTELEI

A vásárlásból adódó törvényben rögzített jogok mellett a termékre az alábbi garancia vonatkozik.

1. A fogyasztói garancia tartama 24 hónap, mely a termék vásárlásának napjával kezdődik. Ezt a dátumot számlával vagy a vásárlást igazoló egyéb dokumentummal kell bizonyítani. A termék rendelkezése csak fogyasztói és magáncéllú használat. Ezért professzionális vagy kereskedelmi használat esetén a garancia nem érvényes.
2. A kerti szerszámok (egyenáramú/váltóáramú) egy részénél a garancia időtartama a www.ryobitools.eu weboldalon regisztrálva meghosszabbítható. Az áruházakban, a csomagoláson, illetve a termék dokumentációjában egyértelműen jelezzük, hogy az adott termék garanciája meghosszabbítható-e. A végfelhasználónak a vásárlás dátumától számított 30 napon belül regisztrálnia kell az újonnan vásárolt szerszámot. A végfelhasználó akkor regisztrálhat a kiterjesztett garanciára, ha az ország, ahol lakik, fel van sorolva az online regisztrációs űrlapon azon országok között, ahol választható ez az opció. Ezenkívül a végfelhasználónak bele kell egyeznie az online regisztrálás során szükséges adatok tárolásába, és el kell fogadnia a felhasználási feltételeket. A kiterjesztett garanciát a regisztráció beérkezésétől e-mailben küldött visszaigazolás és a vásárlás dátumát tartalmazó eredeti számla igazolja.
3. A garancia a termék vásárlásakor fennálló, a gyártás során keletkezett hibákra és anyaghibákra érvényes a garanciális időtartamon belül. A garancia csak a javításra/cseréire korlátozódik, és nem terjed ki semmilyen egyéb kötelezettségre, nem kizárólagosan ideértve a véletlen vagy szándékos rongálást. A garancia nem érvényes, ha a terméket nem megfelelően, a használati utasításban foglaltakkal ellentétben, illetve nem megfelelően csatlakoztatva használták. A garancia nem vonatkozik:
 - a terméket a nem megfelelő karbantartás következtében ért károsodásra – megváltoztatott vagy átalakított termékre
 - olyan termékre, melyen az eredeti azonosítókat (védjegy, sorozatszám) megrongálták, megváltoztatták vagy eltávolították
 - a használati utasítás be nem tartásából eredő kárra
 - CE jelöléssel nem rendelkező termékekre
 - olyan termékre, melyet nem képzett, illetve a Techtronic Industries által nem feljogosított szerelő javított
 - nem megfelelő (áramerősségű, feszültségű, frekvenciájú) áramforrásra csatlakoztatott termékre
 - nem megfelelő üzemanyag-keverékkel (üzemanyag, olaj, olaj aránya) használt termékre
 - külső (fizikai, utés) hatásokból vagy idegen anyagokból eredő károkra
 - a cserélhető alkatrészek természetes kopására és elhasználódására
 - a szerzőszám helytelen használatára, tültetésére
 - nem jóváhagyott tartozékok és alkatrészek használatára
 - A karburátorok rendszeres beállítása, karbantartása, tisztítása
 - A természetes kopásnak és elhasználódásnak kitett alkatrészek és kiegészítők, például (de nem kizárólag) damildobok, ékszíjak, foglalatok, sövényvágók és fűnyírók kése, heveder, gázbowden, szénkefék, tápkábel, kultivátorfogak, ficalátétek, akasztószögek, fűvókészülékek ventilátora, fűvő- és szívócsövek, szívózsák és pántok, terelőrudak, fűrészláncok, tömlők, csatlakozószervevények, permetezőfejek, kerekék, permetezőszáraz, belső dobok, külső csévék, vágódamlok, gyűjtőgyertyák, légszűrők, gázsűrők, mulcsozókékek stb.
4. A terméket javításra el kell vinni egy meghatalmazott RYOBI szervizbe; ezeket a egyes országokhoz a következő listában találja. Egyes országokban a helyi RYOBI kereskedő vállalja a termék elszállítását a RYOBI szervizbe. A terméket veszélyes tartalom, például benzín nélkül csomagolva, a feladó címét feltüntetve, a hiba rövid leírásával együtt küldje el a RYOBI szervizbe.
5. A jelen garancia hatálya alatt végzett javítás, illetve csere ingyenes. Nem jelenti a garanciális időtartam újraindulását. A kicserélt alkatrészek és szerszámok a mi tulajdonunkba kerülnek. Egyes országokban a szállítás vagy postázás költségét a feladó viseli. A vevőnek a szerzőszám megvásárlásából adódó törvényes jogai nem változnak.
6. Jelen garancia az Európai Közösségben, Svájcban, Izlandon, Norvégiában, Liechtensteinben, Törökországban és Oroszországban érvényes. E területen kívül kérdezze meg a RYOBI forgalmazót, hogy milyen garancia van érvényben.

HIVATALOS SZERVIZKÖZPONT

A legközelebbi hivatalos szervizközpont megtalálásához látogasson el a <http://hu.ryobitools.eu/header/service-and-support/service-agents>.

RO CONDIȚII DE APLICARE A GARANȚIEI PENTRU PRODUSELE RYOBI®

În plus față de condițiile statutare rezultate din achiziționarea acestui produs, acesta este acoperit de garanția stipulată mai jos.

1. Perioada de garanție este de 24 de luni pentru consumatori și începe de la data achiziționării produsului. Data de începere a garanției trebuie demonstrată cu o factură sau altă dovadă a cumpărării produsului. Produsul este destinat și conceput doar pentru utilizare în scopuri personale. Din acest motiv, nu se oferă garanție pentru utilizarea sa în scop profesional sau comercial.
2. Există posibilitatea de extindere a perioadei de garanție pentru gama de unelte electrice pentru grădina (de CA/CC) peste perioada stipulată mai sus prin înscrierea produsului pe website-ul www.ryobitools.eu. Eligibilitatea pentru perioada de extindere a garanției este afișată în mod clar în magazinele de vânzare și/sau pe ambalaj sau este inclusă în documentația livrată împreună cu produsul. Utilizatorul final este obligat să-și înregistreze produsul online în termen de maxim 30 de zile de la achiziția acestuia. Utilizatorul final poate înregistra produsul pentru garanția extinsă oferită în țara sa de rezidență dacă aceasta este listată în formularul de înregistrare online și dacă această opțiune este validă. În plus, utilizatorii finali trebuie să-și dea acordul pentru stocarea datelor personale solicitate la înregistrarea online și trebuie să accepte termenii și condițiile. Mesajul de confirmare a înregistrării, trimis prin e-mail și factura originală cu data achiziției vor dovedi perioada de garanție extinsă.
3. Garanția acoperă toate defecțiunile produsului survenite în perioada de garanție datorate defectelor de execuție sau materialelor folosite, începând cu data achiziției acestuia. Garanția este limitată la reparare și/sau înlocuire și nu include alte obligații, inclusiv, dar fără a se limita la daune accidentale sau rezultate pe cale de consecință. Garanția își pierde valabilitatea dacă produsul este utilizat necorespunzător, utilizează necorespunzător instrucțiunile de utilizare din manualul cu instrucțiuni sau conectat incorect. Garanția nu se aplică în cazul:
 - oricărei defecțiuni survenite în urma întreruperii necorespunzătoare a produsului
 - oricărui produs alterat sau modificat
 - oricărui produs la care inscripțiile cu datele de identificare (marca comercială, numărul de serie) au fost șterse, modificate sau îndepărtate
 - oricărei defecțiuni datorate neconformării cu instrucțiunile din manualul de utilizare
 - oricărui produs necertificat CE
 - oricărui produs asupra căruia au fost efectuate tentative de reparare de către personal necalificat sau fără autorizație prealabilă din partea Techtronic Industries.
 - oricărui produs conectat la o sursă de alimentare necorespunzătoare (curent, tensiune, frecvență)
 - oricărui produs utilizat cu un amestec de carburant necorespunzător (combustibil, ulei, proporții de adaos ulei)
 - oricărui defecțiune datorate unor influențe externe (chimice, fizice, șocuri) sau substanțe străine
 - uzurii și fisurării normale a pieselor de rezervă
 - utilizării neadecvate, suprasolicitării uneltei
 - utilizării de piese și accesorii neaprobate
 - Operațiunile de curățare sau reglare periodică a carburatoarelor
- Componentele (piese și accesorii) supuse uzurii și defectării normale, care includ, fără a se limita la manșoane de protecție, curele de transmisie, ambreiaj, lamele de la tăietoarele de arbore sau gazon, harnașamente, cablu de accelerație, perii de cărbune, cordon de alimentare, dinți, discuri de păslă, știfturi de siguranță, ventilatoare de suflantă, tuburi de aspirare sau suflare, sac de colectare resturi și banda de susținere a acestuia, bare de ghidare, lanțuri de fierăstrău, furturniri, accesorii de conectare, duze de pulverizare, volante, baghete de pulverizare, moșoare interne, carcase exterioare pentru moșoare, fire tăietoare, bujii, filtre de aer, filtre de gaz, lame de tocător, etc.
4. Pentru efectuarea reparațiilor, produsul trebuie trimis sau adus la un centru de reparații autorizat RYOBI din lista următoare de centre de reparații prezentate pentru fiecare țară. În anumite țări, reprezentatul local RYOBI va trimite produsul spre reparare la sediul central de reparații RYOBI. Atunci când trimiteți produsul spre reparare la un centru de reparații RYOBI, acesta trebuie ambalat în siguranță, fără conținut periculos (cum ar fi benzină), marcat cu adresa expeditorului și însoțit de o scurtă descriere a defectului.
5. Repararea/înlocuirea în perioada de garanție este gratuită. Aceasta nu este însoțită de o prelungire sau o reînțiere a perioadei de garanție. Piesele sau uneltele schimbate devin proprietatea dvs. În anumite țări, taxele de expediție sau postate vor fi suportate de expeditor. Drepturile dvs. statutare rezultate din achiziția produsului rămân neschimbate.
6. Această garanție este valabilă în Comunitatea Europeană, Elveția, Islanda, Norvegia, Liechtenstein, Turcia și Rusia. În afara acestor zone, vă rugăm să contactați reprezentantul dvs. local RYOBI pentru a determina dacă se aplică alt tip de garanție.

CENTRU DE SERVICE AUTORIZAT

Pentru a găsi un centru de service autorizat lângă dvs., vizitați <http://uk.ryobitools.eu/header/service-and-support/service-agents>.

LV RYOBI® GARANTIJAS PIEMĒROŠANAS NOSACĪJUMI

Papildus jebkādam likumiskajām tiesībām, kuras rodas, veicot pirkumu, izstrādājums tiek nodrošināts ar tālāk tekstā noteikto garantiju.

1. Garantijas periods patērētājiem ir 24 mēneši, tas atskaitē tiek sāktas no datuma, kurā veikta izstrādājuma iegāde. Šim datumam jābūt dokumentētām rēķinā vai citā pirkumu apliecināošā dokumentā. Izstrādājums ir radīts un paredzēts tikai patērētāja privātai lietošanai. Saisītībā ar iepriekšminēto, garantija netiek nodrošināta profesionālās vai komerciālas lietošanas gadījumā.
2. Pastāv iespēja pagarināt daļas no dārza instrumentu klāsta (Maignstrāvas/akumulatoru) garantiju ilgāk par iepriekš minēto periodu, izmantojot reģistrāciju interneta vietnē www.ryobitools.eu. Instrumenti, kas pakļauti garantijas perioda pagarināšanai, tiek skaidri apzīmēti veikalos un/vai uz iepakojuma un izstrādājumu komplektējošajā dokumentācijā. Gala lietotājam nepieciešams reģistrēt tā iegādātā jauno instrumentu 30 dienu laikā no pirkuma datuma. Gala lietotājs var reģistrēties pagarinātajai garantijai savā mītnes valstī, ja tā minēta tiešsaistes reģistrācijas veidlapā, kurā šī iespēja ir aktīva. Bez tam, gala lietotājam ir jāsniedz pierādīšana tiešsaistes ievadīšanai nepieciešamo datu glabāšanai un jāpiekrīt noteikumiem un nosacījumiem. Reģistrācijas apstiprinājums, kas tiek nosūtīts, izmantojot e-pastu, un rēķina oriģināls, kurā norādīts iegādes datums, kalpo kā pagarinātās garantijas apstiprinājums.
3. Garantija attiecas uz visiem izstrādājumu defektiem garantijas periodā, kas saistīti ar ražošanas vai materiālu defektiem no pirkuma datuma. Šī garantija tiek ierobežota ar remontu un/vai nomaiņu un neietver jebkādas citas saistības, tajā skaitā, bet ne tikai, cēloņsakarīgos vai saistītos bojājumus. Garantija nav spēkā, ja izstrādājums ir nepareizi lietots, izmantots pretēji norādēm lietošanas rokasgrāmatā vai bijis nepareizi pieslēgts. Šī garantija netiek attiecināta uz:
 - jebkādiem izstrādājuma bojājumiem, kas radušies nepareizas uzstādīšanas rezultātā
 - jebkuru izstrādājumu, kas ticis pārveidots vai mainīts
 - jebkuru izstrādājumu, kura oriģinālais identifikācijas (preču zīme, sērijas numurs) marķējums ir ticis nodzēsts, mainīts vai noņemts
 - jebkādiem bojājumiem, kuri radušies neievērojot norādes lietošanas rokasgrāmatā
 - jebkādam izstrādājumam bez CE sertifikācijas
 - jebkurai izstrādājumam, kura remontu mēģinājis veikt nekvalificēts personāls vai bez Technonic Industries iepriekšējas autorizācijas.
 - jebkurai izstrādājumam, kurš bijis pieslēgts neatbilstošu parametru (strāvas, sprieguma, frekvences) sprieguma avotam
 - jebkurai izstrādājumam, kurš bijis izmantots ar nepareizu degvielas maisījumu (degviela, eļļa, eļļas procentuālais saturs)
 - jebkuriem bojājumiem, kuri radušies ārējas iedarbības (ķīmiskas, fiziskas, triecieni) vai vielu ietekmē
 - detaļu normāla lietošanas nodiluma rezultātā
 - nepareizas lietošanas vai instrumentu pārslodzes rezultātā
 - neapstiprinātu detaļu vai aprīkojuma lietošanas rezultātā
 - jebkādu periodiskus karburatoru regulēšanas darbus vai apkopes tīrīšanu
 - Komponentus (daļas un aksesuārus), kas pakļauti dabīgām nodilumam, ieskaitot, bet neaprobežojoties ar atslēgta pogām, piedziņas sīksnādi, sajūgjiem, krūmu šķēru un pļaujmašīnu asmeņiem, uzskabēm, droseļu trošlēm, oglekļa sukām, elektrības vadiem, tapām, filca aplākšņiem, sakābes tapām, pūtēja ventilatoriem, pūtēja un sūkšanas caurulēm, savākšanas maisiem un sīksnādi, vadotņu plankām, zaģu ķēdēm, šūtenēm, savienojumu uzgaļiem, izsmidzinātāja uzgaļiem, riteņiem, izsmidzinātāja caurulēm, iekšējām spoļēm, ārējām spoļēm, pļaušanas aukām, aizdedzes svečēm, gaisa filtriem, degvielas filtriem, mulčēšanas asmeņiem, utt.
4. Servisa nodrošināšanai, izstrādājums ir jānodod pilnvarotā RYOBI servisa centrā, kas norādīts katrai valstij tālāk minētajā servisa centru adrešu sarakstā. Dažās valstīs jūsu vietējais RYOBI izplatītājs uzņemas izstrādājuma nosūtīšanu uz RYOBI servisa organizāciju. Nosūtīt izstrādājumu uz RYOBI servisa centru, izstrādājuma jābūt droši iepakotam, tas nedrīkst saturēt bīstamas vielas kā degvielu, sūtiņjam jābūt marķētam ar sūtiņta adresi un īsu ķurjmes aprakstu.
5. Remonts/nomaiņa šīs garantijas ietvaros ir bezmaksas. Tas nerada garantijas perioda pagarināšanu vai jaunu garantiju. Nomināltās daļas vai instrumentu kļūd par mūsu īpašumu. Dažās valstīs piegādes vai pasta izmaksas būs jāapmaksā sūtiņtājam. Jūsu likumiskās tiesības, kas nodibinās, iegādājoties instrumentu, paliek nemainīgas
6. Šī garantija ir spēkā Eiropas Kopienā, Šveicē, Islandē, Norvēģijā, Lichtenšteinā, Turcijā un Krievijā. Ārpus šīm teritorijām, lūdz, sazinieties ar jūsu pilnvaroto RYOBI izplatītāju, lai noteiktu, vai ir piemērojama cita garantija.

AUTORIZĒTS APKALPOŠANAS CENTRS

Lai atrastu tuvāko autorizēto apkalpošanas centru, apmeklējiet <http://uk.ryobitools.eu/header/service-and-support/service-agents>.

LT „RYOBI®“ GARANTIJOS TAIKIMO SĄLYGOS

Papildant bet kokias įstatymuose numatytas perkant atsiřandančias teises, šiam įrenginiui taikoma toliau nurodyta garantija.

ĮGALIOTOS TECHNINĖS PRIEŽIŪROS CENTRAS

Jei norite surasti įgaliotą techninės priežiūros centrą netoli Jūsų, apsilankykite interneto svetainėje <http://uk.ryobitools.eu/header/service-and-support/service-agents>.

ET RYOBI® GARANTIINGIMUSED

Lisaks toote ostust tulenevatele seadusjärgsetele õigustele, kehtib tootele ka alltoodud garantiiga.

1. Tarbijatele on garantiiaeg 24 kuud ja algab sellel kuupäeval, mil toode osteti. Selle kuupäeva tõestuseks on vaja arvet või mõnda teist tõendit ostu sooritamise kohta. Toode on mõeldud etarbijatele ainult isiklikeks kasutamiseks. Seega ei kehti garantiid ostu kasutamisel kutsetegevuses või kaubanduslikel eesmärkidel.
2. Teatud osale (vahelduvvoolu/alalisvoolu) aiatööriistadele on võimalik pikendada eespool toodud garantiiaega, kasades toote registreerimist veebilehel www.ryobitools.eu. Teave tööriista võimaliku pikendatud garantiiaja kohta on selgelt esile toodud poodides ja/või pakendil / ning see sisaldub toote dokumentatsioonis. Lõpptarbijaja peab registreerima oma uued tööriistad interneti teel 30 päeva jooksul pärast ostupäeva. Lõppkasutaja võib registreerida pikendatud garantiiaja saamise oma elukohariigis, kui veebis olevas registreerimisvormis on see valik lubatud. Lisaks peavad kasutajad andma oma nõusoleku veebis nõutud sisestatavate andmete säilitamiseks ning nad peavad nõustuma tingimustega. E-posti teel saadetav registreerimise kinnitus ja arve originaal, kus on näha ostu sooritamise kuupäev, on pikendatud garantiiaja tõestuseks.
3. Garantiid katab kõik defektid toote garantiiaja jooksul, kui ostu kuupäeval ilmnevad talitus- või materjalivead. Garantiid piirub toote remondi ja/või väljavahetamisega ning ei sisalda muid kohustusi, muu hulgas ettenägematuid või kaudseid kahjusid. Garantiid ei kehti, kui toodet ei ole kasutatud sihtotstarbelselt või kooskõlas kasutusjuhendiga või see on valesti ühendatud. Garantiid ei kehti järgmistel põhjustel:
 - toode on kahjustatud vale hoolduse tõttu
 - toode on muudetud
 - toote algupärased identifitseerimisnõuanded (kaubamärk, seerianumber) on rikutud, muudetud või eemaldatud
 - kahju on tekkinud kasutusjuhendi mittejärgimisest
 - tootel puudub CE-märgis
 - toode on püüdnud remondida vastavalt kvalifikatsiooni mitte omav isik või ilma firma Techtronic Industries eelneva loata.
 - toode on ühendatud valesse teiteallikasse (voolutugevus, pinge, sagedus)
 - tootega kasutati sobimatut kütusesegu (kütus, õli, õli protsent)
 - välismõjude (keemilised, füüsilised, elektrilöögid) või võõrkehade tekitatud kahju
 - tavapärase kulumine ja katkised varuosad
 - ebaõige kasutamine, tööriista ülekoormamine
 - heakskiitmata tarvikute või osade kasutamine
 - Karburaatorite korralised reguleerimistööd või hooldus- ja puhastustööd
 - Komponentid (osad ja tarvikud), mida iseloomustab kulumine ja vananemine, muu hulgas puutenupud, kiilrihmad, sidur, heklõikurite või muruniidukite lõiketerad, rakmed, gaasitorid, süsinikharjad, toitejuhe, freesiterad, vildist seibid, tihvtid, õhuvventilaatorid, puhuri- ja imuritord, kogumiskott ja riimad, juhikud, saeketid, voolikud, liitmikud, pihusti otsakud, rattad, pritsi varred, sisemised poolid, välismised poolid, jõhvid, süteküünlad, õhufiltrid, gaasifiltrid, multšimisterad jne.
4. Hoolduseks peab toote saatma või viima RYOBI tootjate teenindusse, mille aadressi leiata järgnevast teeninduspunkti nimekirjast vastava riigi alt. Mõnedes riikides võtab kohalik RYOBI edasimüüja enda kanda kohustuse saata toode RYOBI teenindusorganisatsiooni. Toote saatmisel RYOBI teenindusse peab toode olema ohutult pakitud ja ei tohi sisaldada ohtlikke aineid (nt bensiini), kirjas peab olema saatja aadress ja lisatud vea lühikirjeldus.
5. Garantiid alusel tehtavad remonditööd / asendamine on tasuta. See ei pikenda garantiid kehtivusaega ega tähistu vae garantiiaja algust. Väljavahetatud osad või tööriistad kuuluvad meile. Mõnedes riikides maksab kätetoimetamis- ja postikulud saatja. Teile jäävad kehtima tööriista ostust tulenevad seadusjärgsed õigused
6. See garantiid kehtib Euroopa Ühenduse territooriumil, Šveitsis, Islandil, Norras, Liechtensteinis, Türgis ja Venemaal. Väljaspool neid piirkondi võtke ühendust volitatud RYOBI edasimüüjaga, et teha kindlaks kas kehtib mõni teine garantiid.

VOLITATUD HOOLDUSKESKUS

Oma volitatud hoolduskeskuse leiate veebisaidilt <http://uk.ryobitools.eu/header/service-and-support/service-agents>.

HR UVJETI PRIMJENE JAMSTVA TVRTKE RYOBI®

Osim svim zakonskim pravima koja proizlaze iz kupnje, ovaj je proizvod pokriven jamstvom kako je navedeno u nastavku.

1. Jamstveno razdoblje za potrošače traje 24 mjeseca i počinje s datumom na koji je proizvod kupljen. Taj datum mora se dokumentirati računom ili drugim dokazom o kupnji. Proizvod je konstruiran i namijenjen samo za privatnu upotrebu korisnika. Stoga se jamstvo ne daje u slučaju profesionalne ili komercijalne uporabe.
2. Postoji mogućnost da se za dio asortimana vrtnih alata pokretanih izmjeničnom strujom (AC/DC) proizvodi gore navedeno jamstveno razdoblje putem registriranja na mrežnom mjestu www.ryobitools.eu. Uvjeti koje je potrebno zadovoljiti kako bi se produžilo jamstveno razdoblje jasno su istaknuli u prodavaonicama i / ili na pakiranju i / nalaze se unutar dokumentacije proizvoda. Krajnji korisnik mora registrirati svoje novo kupljene alate na mreži u roku od 30 dana od datuma kupnje. Krajnji korisnik može se registrirati za produženo jamstvo u svojoj zemlji boravišta ako se nalazi na popisu u mrežnom obrascu za registraciju gdje je ta opcija važeća. Nadalje, krajnji korisnici moraju dati svoj pristanak na pohranu podataka koji su potrebni za mrežni ulazak i moraju prihvatiti odredbe i uvjete. Potvrda o prijemu registracije, koja se šalje putem e-pošte, kao i originalni račun s vidljivim datumom kupnje poslužat će kao dokaz produženog jamstva.
3. Jamstvo pokriva sve nedostatke proizvoda tijekom jamstvenog razdoblja koji su nastali zbog neispravnosti prilikom izrade ili materijala s datumom kupnje. Jamstvo je ograničeno na popravak i/ili zamjenu i ne obuhvaća nikakve druge obveze, uključujući, ali ne ograničavajući se na slučajne ili posljedne štete. Jamstvo ne vrijedi ako je proizvod bio zlorabljivan, korišten u suprotnosti s priručnikom s uputama ili ako je pogrešno spojen. Ovo jamstvo ne primjenjuje se na:
 - svako oštećenje proizvoda koje je rezultat nepravilnog održavanja
 - svaki proizvod koji je izmijenjen ili modificiran
 - svaki proizvod gdje su originalne identifikacijske oznake (zaštitni znak, serijski broj) izbrisane, zamijenjene ili uklonjene
 - svako oštećenje uzrokovano neprikladnim korištenjem priručnika
 - svaki proizvod koji nije CE
 - svaki proizvod koji je pokušao popraviti neovlašten profesionalac ili bez prethodnog odobrenja od strane Techtronic Industries
 - svaki proizvod priključen na nepravilno napajanje energijom (amperi, napon, frekvencija)
 - Svaki proizvod korišten s neodgovarajućom mješavinom (gorivo, ulje, postotak ulja)
 - svako oštećenje uzrokovano vanjskim utjecajima (kemijsko, fiziko, udar) ili stranim stvarima
 - normalno trošenje i habanje rezervnih dijelova
 - nepravilno korištenje, preopterećenje alata
 - korištenje neodobrenog dodatnog pribora ili dijelova
 - rasplinjača nakon 6 mjeseci, podcavijanje rasplinjača nakon 6 mjeseci
 - komponente (dijelovi i dodatni pribor) koji su predmet prirodnog trošenja i habanja, uključujući no ne ograničavajući se na gumbe za otpuštanje, pogonske remene, spojku, oštrice trimera za grmlje ili kosilicu, kope, sajle gasa, ugljene četke, kabele za napajanje, nožve, podloške, ztkice za globnu vezu, ventilatore puhalice, cijevi za ispuhavanje i usisavanje, vakuumske vrećice i trake, vodilice, lance pile, crijeva, priključene elemente, mlaznice za raspršivanje, kodače, koplja za raspršivanje, unutarnje kolote, vanjske kaleme, flaksove, svjećice, filtre za zrak, filtre za plin, oštrice za usitnjavanje itd.
4. Za potrebe servisiranja, proizvod se mora poslati ili odnijeti u ovlaštenu servisnu postaju tvrtke RYOBI navedenu na sljedećem popisu s adresama servisnih postaja u svakoj zemlji. U nekim zemljama, vaš lokalni RYOBI zastupnik obvezuje se da će poslati proizvod u servisnu organizaciju tvrtke RYOBI. Kada se proizvod šalje u neku servisnu postaju tvrtke RYOBI, proizvod se mora sigurno pakirati bez jednog od opasnih sadržaja kao što je benzin, na njemu mora pisati adresa pošiljatelja i mora biti popraćen kratkim opisom kvara.
5. Popravak / zamjena pod ovim jamstvom su besplatni. Oni ne predstavljaju produženje ili novi početak jamstvenog razdoblja. Zamijenjeni dijelovi ili alati postaju naše vlasništvo. U nekim državama troškove isporuke ili poštarnu mora platiti pošiljatelj. Vaša zakonska prava koja proizlaze iz kupnje alata ostaju nepromijenjena
6. Ovo jamstvo vrijedi u Europskoj uniji, Švicarskoj, Islandu, Norveškoj, Lichtenštajnu, Turskoj i Rusiji. Izvan tih područja vas molimo da se obratite svojem ovlaštenom zastupniku tvrtke RYOBI kako biste utvrdili primjenjuje li se drugo jamstvo.

OVLAŠTENI SERVISNI CENTAR

Za pronalaznje ovlaštenog servisnog centra pored vas posjetite <http://uk.ryobitools.eu/header/service-and-support/service-agents>.

SL POGOJI ZA VELJAVNOST GARANCIJE RYOBI®

Poleg morebitnih zakonsko določenih pravic, ki izvirajo iz nakupa, za ta izdelek velja spodaj navedena garancija.

- Garancijsko obdobje je za potrošnike 24 mesecev in začne teči z dnem nakupa izdelka. Ta datum mora biti dokumentiran z računom ali drugim dokazilom o nakupu. Izdelek je zasnovan in namenjen izključno za potrošniško zasebno uporabo. V primeru strokovne oziroma komercialne uporabe izdelka garancija ne velja.
- Obstaja možnost podaljšanja garancije na del naše ponudbe vrtnih orodij (AC/DC) prek obdobja garancije, opisanega zgoraj, s pomočjo registracije na spletnem mestu www.ryobitools.eu. Ustreznost orodij za podaljšanje garancijskega obdobja je jasno prikazana v trgovinah in/ali na embalaži oziroma je navedena v dokumentaciji izdelka. Končni uporabnik mora registrirati svoje novo orodje na spletu v 30 dneh po datumu nakupa. Končni uporabnik lahko registrira podaljšano garancijo v svoji državi bivanja, če je na obrazcu spletne registracije navedeno, da ta možnost velja za njegovo državo. Poleg tega morajo končni uporabniki podati svoje soglasje za shranjevanje podatkov, ki so potrebni za spletno državo in morajo sprejeti pogoje in določila uporabe spletnega mesta. Potrdilo o registraciji, ki ga pošljemo preko e-pošte, in originalni račun, ki prikazuje datum nakupa, služita kot dokazilo o podaljšani garanciji.
- Garancija krije vse okvare izdelka, do katerih pride v garancijskem obdobju zaradi napak v izdelavi ali materialu, ki so bile prisotne ob datumu nakupa. Garancija je omejena na popravilo in/ali zamenjavo in ne vključuje nobenih drugih obveznosti, med drugim vključno z naključno ali posledično škodo. Garancija ne velja, če je bil izdelek napačno uporabljen, uporabljen v nasprotju z navodili iz priročnika za uporabo ali če ni bil pravilno povezan. Ta garancija ne velja za:
 - škodo na izdelku, ki je posledica neustreznega vzdrževanja
 - spremenjen ali prilagojen izdelek
 - izdelek, katerega originalna identifikacijska oznaka (blagovna znamka, serijska številka) je bil poškodovan, spremenjena ali odstranjena
 - škodo, ki je posledica neupoštevanja navodil iz priročnika za uporabo
 - izdelek, ki nima oznake CE
 - izdelek, ki ga je poskušal opraviti ne kvalificiran strokovnjak ali ki je bil popravljen brez predhodne odobritve s strani družbe Techtronic Industries.
 - izdelek, ki je bil povezan na neustrezno napajanje (amperska moč, napetost, frekvenca)
 - izdelek, ki je bil uporabljen z neustrezno mešanico goriva (gorivo, olje, odstotek olja)
 - škodo, ki jo povzročijo zunanji vplivi (kemični, fizični, mehanski) ali tuje snovi
 - rezervne dele, ki so podvrženi običajni uporabi
 - neprimerno uporabo, preobremenitev orodja
 - uporabo neodobrenih dodatkov ali delovVsako redno prilagajanje ali vzdrževalno čiščenje uplinjačev
- Komponente (sestavni in rezervni deli), ki so podvrženi običajni obrabi, med drugim vključno z gumbi odbijaca, pogonskimi jermeni, sklopko, rezili obrezovalnikov za žive meje ali kosilnic za trato, nosilnimi pasovi, kabli, dušilnimi ventili, oglikovimi krtačami, napajalnimi kabli, zobci, tesnili iz filca, veznimi zatiči, ventilatorji pihalnika, cevni pihalnika in sesalnika, vrečko in pasovi sesalnika, vodilnimi palicami, verigami motorne žage, cevami, priključki, razpršilnimi šobami, kolesi, razpršilnimi palicami, notranjimi kolesci, zunanji motki, rezalnimi vrvicami, vžigalnimi svečkami, zračnimi filtri, plinskimi filtri, rezili za mulčenje itd.
- Za servisiranje morate izdelek poslati ali prinesiti v pooblaščen servisni center družbe RYOBI, ki je naveden za vsako državo in naslednjem seznamu naslovov servisnih centrov. V nekaterih državah se vaš lokalni posrednik družbe RYOBI obveže, da bo poslal izdelek na servis družbe RYOBI. Ko pošiljate izdelek v servisni center družbe RYOBI, mora biti izdelek varno zapakiran in ne sme vsebovati nobenih nevarnih snovi, kot je npr. bencin, opremljen pa mora biti z naslovom pošiljatelja in vsebovati kratek opis napake.
- Popravilo/zamenjava v skladu s to garancijo sta brezplačni storitvi. To pa ne predstavlja podaljšanja ali ponovnega začetka garancijskega obdobja. Zamenjani deli ali orodja postanejo naša last. V nekaterih državah stroške dostave ali poštno plača pošiljatelj. Vaše zakonsko določene pravice, ki izvirajo iz nakupa orodja, ostajajo nespremenjene.
- Ta garancija velja v Evropski skupnosti, Švici, Islandiji, na Norveškem, v Lihtenštajnu, v Turčiji in Rusiji. Izven teh območij se obrnite na svojega pooblaščenega posrednika izdelkov RYOBI, dealer ki vam bo povedal, ali velja kakšna druga garancija.

POOBLAŠČEN SERVISNI CENTER

Pooblaščen servisni center blizu vas poiščite na <http://uk.ryobitools.eu/header/service-and-support/service-agents>.

SK ZÁRUČNÉ PODMIENKY RYOBI®

Na tento výrobok sa okrem všetkých zákonných práv, vyplývajúcich z nákupu, vzťahuje záruka v nasledovnom znení.

- Záručná doba pre spotrebiteľa je 24 mesiacov a začína plynúť odo dňa, kedy bol výrobok zakúpený. Tento dátum musí byť doložený faktúrou alebo iným dokladom o zakúpení. Výrobok je navrhnutý a určený pre spotrebiteľov a len na súkromné používanie. Preto sa záruka sa neposkytuje v prípade použitia na profesionálne a komerčné účely.
- V prípade záhradného náradia (na striedavý/jednosmerný prúdu AC/DC), existuje možnosť predĺženia záručnej doby oproti záručnej dobe, uvedenej vyššie, s využitím on-line registrácie na webovej stránke www.ryobitools.eu. Označenie na náradí o nároku na predĺženie záručnej doby je zreteľne uvedené v obchodoch a/alebo na obale a je uvedené v dokumentácii k výrobku. Koncový používateľ musí zaregistrovať svoje novozískané náradie on-line do 30 dní odo dňa nákupu. Koncový používateľ sa môže zaregistrovať na predĺženie záruky v krajine svojho bydliska, ak je v on-line registračnom formulári uvedená táto možnosť. Ďalej musia koncoví používatelia ešte dať svoj súhlas k uchovávaní údajov, ktoré je potrebné zadať on-line a musia súhlasiť s podmienkami. Potvrdenie o prijatí registrácie, ktorá je zaslaná e-mailom a originálna faktúra, v ktorej je uvedený dátum nákupu, slúžia ako dôkaz o predĺženej záruke.
- Záruka sa vzťahuje na všetky poruchy výrobku v záručnej dobe, spôsobené chybami materiálu alebo spracovania k dátumu nákupu. Táto záruka je omezená na opravu a/alebo výmenu a nezahtfavažiadne ďalšie povinnosti, vrátane, okrem iných, náhodné alebo následné škody. Táto záruka je neplatná, ak bol výrobok nesprávne používaný, bol používaný v rozpore s návodom na použitie alebo bol nesprávne zapojený. Táto záruka sa nevzťahuje na:
 - akékoľvek poškodenie výrobku, ktoré bolo spôsobené nesprávnou obsluhou
 - akýkoľvek výrobok, ktorý bol zmenený alebo upravený
 - akýkoľvek výrobok, na ktorom bolo poškodené, upravené alebo odstránené identifikačné označenie (ochranná známka, výrobné číslo)
 - akékoľvek škody, spôsobené nedodržaním návodu na obsluhu
 - akýkoľvek výrobok, ktorý neobsahuje označenie CE
 - akýkoľvek výrobok, ktorý sa pokúšal opraviť ne kvalifikovaný odborník alebo bol opravovaný bez predchádzajúceho súhlasu zo strany spoločnosti Techtronic Industries.
 - akýkoľvek výrobok, pripojený k nesprávnemu napájaciemu zdroju (ampéry, napätie, frekvencia)
 - akýkoľvek výrobok, používaný s nesprávnou palivovou zmesou (palivo, olej, percento oleja)
 - akékoľvek poškodenia, spôsobené vonkajšími vplyvmi (chemickými, fyzikálnymi, nárazmi) alebo cudzorodými látkami
 - bežné opotrebovanie náhradných dielov
 - nehodné použitie, preťažovanie nástroja
 - používanie neschváleného príslušenstva a dielov
 - Akékoľvek pravidelné úpravy alebo čistenie karburátorov, vykonávaných vrámi údržby
 - Súčiastky (diely a príslušenstvo), ktoré podliehajú prirodzenému opotrebeniu, okrem iných, otočné gombíky, hnače remene, spojka, nože na nožnice na živý plot alebo kosačky na trávu, popruhy, lanko škrtiacej klapky, uhľiky, napájací kábel, radičky, pistené podložky, závesné kince, lopatky fúkačov, trubice vysávača a fúkača, vak do vysávača a popruhy, vodiace lišty, reťazové píly, hadice, spojovacie armatúry, trysky, kolesá, striekacie rúrky, vnútorné cievky, vonkajšie cievky, žacie lanká, zapalovacie sviečky, vzduchové filtre, benzínové filtre, mulčovacie nože atď.
- Na opravu musí byť výrobok odoslaný alebo doručený do autorizovaného servisného strediska RYOBI, uvedeného pre každú krajinu v nasledovnom zozname adries servisných stredísk. V niektorých krajinách miestny zástupca RYOBI preberá na seba záväzok zaslať tovar do servisnej organizácii RYOBI. Pri odosielaní výrobku do servisného strediska RYOBI je potrebné výrobok bezpečne zabaliť bez akéhokoľvek nebezpečného obsahu, ako je benzín, s vyznačením adresy odosiadateľa, s krátkym popisom poruchy.
- Oprava/výmena je vrámi tejto záruky bezplatná. Neznamená to predĺženie záruky alebo spustenie novej záručnej doby. Vymenené diely alebo nástroje sa stávajú našim vlastníctvom. V niektorých krajinách náklady na odoslanie alebo poštné musí zaplatiť odosiadateľ. Vaše zákonné práva, vyplývajúce z nákupu náradia, zostávajú nedotknuté
- Táto záruka platí v Európskej únii, Švajčiarsku, Islande, Nórsku, Lihtenštajnsku, Turesku a Rusku. Ak sa nachádzate mimo týchto oblastí, obráťte sa na autorizovaného predajcu RYOBI na určenie, či sa dá uplatniť iná záruka.

AUTORIZOVANÉ SERVISNÉ CENTRUM

Ak chcete nájsť najbližšie autorizované servisné centrum, navštívte stránku <http://uk.ryobitools.eu/header/service-and-support/service-agents>.

BG УСЛОВИЯ ЗА ВАЛИДНОСТ НА ГАРАНЦИЯТА НА RYOBI®

В допълнение към законоустановените права, произтичащи от покупката, този продукт е обхванат от гаранция, както е изложено по-долу.

- Гаранционният срок е 24 месеца за клиенти и започва да тече от деня на закупуване на продукта. Тази дата трябва да се докаже с фактура или друго доказателство за покупка. Продуктът е изработен и предназначен само за потребителска и лична употреба. Следователно не се дава гаранция в случай на използване от професионалисти или с търговска цел.
- Съществува възможност за удължаване на гаранционния срок за част от диалогана на гаранцията на градински инструменти (AC/DC) след изтичането на описания тук чрез регистрация на уеб сайта www.ryobitools.eu. В магазините и/или на опаковката или вътре в документацията на продукта е показано ясно дали инструментът отговаря на условията за такова удължаване на гаранционния срок. Крайният потребител трябва да регистрира своите новопридобити инструменти онлайн в рамките на 30 дни от датата на покупка. Крайният потребител може да се регистрира за удължена гаранция в държавата си на пребиваване, ако е посочена във формуляра за онлайн регистрация като място, където тази опция е валидна. Освен това крайните потребители трябва да дадат съгласието си за съхранение на данните, които са задължителни за попълване онлайн, и трябва да приемат общите условия. Полученото потвърждение за регистрация, изпратено по електронна поща, и оригиналната фактура, показваща датата на покупка, ще служат като доказателство за удължената гаранция.
- Гаранцията покрива всички дефекти на продукта по време на гаранционния срок, които се дължат на проблеми в изработката или материалите към момента на покупката. Гаранцията е ограничена до ремонт и/или замяна и не включва други задължения, включително, но не само, случайни или косвени щети. Гаранцията е невалидна, ако продуктът е използван неправилно или в противоречие с ръководството с инструкции, както и ако е свързан неправилно. Тази гаранция не важи за:
 - щети по продукта в резултат на неправилна профилактика
 - продукти, които са били изменени или модифицирани
 - продукт, при който оригиналните маркировки за идентификация (търговска марка, сериен номер) са изтрети, променени или премахнати
 - повреда, причинена от неспазване на ръководството с инструкции
 - продукт без CE маркировка
 - продукт, за който е направен опит за ремонт от неквалифициран специалист или без предварително разрешение от Techtronic Industries.
 - продукт, свързан към неподходящо електрохранване (ампераж, волтаж, честота)
 - продукт, използван с неподходяща горивна смес (гориво, масло, процент масло)
 - щети, причинени от външни влияния (химични, физични, удари) или чужди вещества
 - нормално износване на резервни части
 - неподходяща употреба, претоване на инструментите
 - използване на неодобриени аксесоари или части
 - Всякакви периодични настройки или почистване с цел извършване на поддръжка на карбуратори
 - Компоненти (части и аксесоари), подложени на естествено износване, включително, но не само, копчета за тласкане, задвижващи ремъци, съединители, остриета на ножици за жив плет или косачки за трева, пресрама, кабелен дросел, карбонови четки, ذخранващ кабел, остриета, филцови шабви, осигурителни шифтове, вентилатори на уреди за обдухване, тръби за обдухване и всмукване, торба за отпадъци и ремъци, водещи шини, вериги за триони, маркучи, фитинги на конектори, дюзи, копела, пръскалки, вътрешни и външни макири, режещо влакно, запалителни свещи, въздушни филтри, горивни филтри, остриета за мулчиране и др.
- За обслужване продуктът трябва да се изпрати или занесе на оторизиран сервиз на RYOBI, посочен за всяка държава в следния списък с адреси на сервизи. В някои държави местният търговец на RYOBI поема отговорността да изпрати продукта до сервизен център на RYOBI. При изпращане на продукт до сервиз на RYOBI той трябва да е опакован безопасно без опасност съдържание, напр. бензин, да е маркиран с адреса на подателя и придружен от кратко описание на повредата.
- Ремонтът/замяната по силата на тази гаранция са безплатни. Те не водят до удължаване или подновяване на гаранционния срок. Сменените части или инструменти стават наша собственост. В някои държави таксите за доставка или изпращане трябва да се платят от подателя. Законоустановените ви права, произтичащи от закупуването на инструмента, остават незасегнати
- Тази гаранция е валидна в Европейската общност, Швейцария, Исландия, Норвегия, Лихтенщайн, Турция и Русия. Извън тези области се свържете с упълномощения търговец на RYOBI, за да се установи дали е приложима друга гаранция.

УПЪЛНОМОЩЕН СЕРВИЗЕН ЦЕНТЪР

За да намерите упълномощен сервизен център близо до вас, посетете <http://uk.ryobitools.eu/header/service-and-support/service-agents>.

UK ГАРАНТИЙНИ УМОВИ ДЛЯ RYOBI®

Окрім загалом установлених законом прав, що стосуються покупки, цей пристрій покривається гарантією, що зазначено нижче.

- Гарантійний період для споживачів складає 24 місяці і починається з моменту придбання цього пристрою. Ця дата повинна бути задокументована у гарантійному талоні або чеку, що підтверджує покупку. Цей пристрій був розроблений і призначений тільки для споживчого та приватного використання. У разі професійного або комерційного використання цього пристрою, він втрачає гарантію.
- Існує можливість продовжити гарантійний період, понад період описаний вище, для частини лінійки садових інструментів (перемінного/ постійного струму) за допомогою реєстрації на сайті www.ryobitools.eu. Пристрої, які мають право на подовження гарантійного періоду, мають чіткі позначки щодо цього в магазинах і / або на упаковці / та документаші до пристрою. Кінцевий користувач повинен зареєструвати його/її новопридбаний пристрій онлайн протягом 30 днів з дати покупки. Кінцевий користувач може зареєструватися для подовження гарантійного періоду в своїй країні постійного перебування, якщо вона є доступною у відповідній опції онлайн форми реєстрації. Крім того, кінцеві користувачі повинні дати свою згоду на зберігання даних, які необхідні для введення онлайн, а також вони повинні прийняти правила та умови. Отримання підтвердження реєстрації, яке відправляється на адресу електронної пошти, та оригінал гарантійного талона із зазначеною датою покупки буде слугувати доказом подовженої гарантії.
- Гарантія поширюється на всі дефекти пристрою протягом гарантійного терміну щодо недотримання стандартів виробництва або матеріалів на дату придбання. Гарантія обмежується ремонтом та/або заміною, та не включає в себе будь-яких інших зобов'язань, в тому числі, але необмежена у разі випадкових та подальших пошкоджень. Гарантія не діє, якщо пристрій використовувався нена належним чином, всупереч інструкції з експлуатації або був неправильно підключений до мережі. Дана гарантія не поширюється на:
 - пристрої, що були пошкоджені у результаті неправильного технічного обслуговування;
 - пристрої, що були видозмінені або модифіковані;
 - пристрої, оригінальні ідентифікаційне (товарний знак, серійний номер) маркування яких було пошкоджене, змінене або видалено;
 - будь-які пошкодження, заподіяні недотриманням інструкції з експлуатації;
 - пристрої, що не мають маркування CE;
 - пристрої, що були відремонтовані некваліфікованим фахівцем або за відсутності попереднього дозволу від Techtronic Industries;
 - пристрої, підключені до невідповідного джерела живлення (сила току, напруження, частота);
 - пристрої, що використовувались із невідповідною паливною сумішшю (паливом, оливою, відсотковою часткою оливи);
 - будь-які пошкодження спричинені зовнішнім впливом (хімічними, фізичним, стрибком напруги) або сторонніми речовинами;
 - нормальну амортизацію запасних частин;
 - невідповідне використання, перевантаження пристрою;
 - використання непідтверджених запасних частин або аксесуарів;
 - Будь-які періодичні коригування або технічне очищення карбураторів
 - Компоненти (частини та аксесуари) з урахуванням нормального зношування, враховуючи але без обмеження на імпульсні кнопки, реміні приводу, зчеплення, леза куцоріза або газонокосарки, реміні, троси дросельного клапану, вугільні щітки, шнурки живлення, зубці, фетрові підкладки, зліпні штирі, вентилятори повітродувки, трубки пилососа та повітродувки, вакуумні мішки та накладки, напрямні, панчоги, гнучкі шланги, з'єднувальні фітинги, розпилювальні насадки, колеса, жорсткі сопла, внутрішні котушки, зовнішні золотники, ріжучу волосінку, свічки запалення, повітряні фільтри, протигазові фільтри, мультисувальні леза, т.д.
- Для обслуговування, пристрій має бути відправлений або поданий до одного з авторизованих сервісних центрів RYOBI, які перелічені для кожної країни у наступному переліку адрес сервісних центрів. У деяких країнах місцевий дилер RYOBI зобов'язується відправити пристрій до сервісного центру RYOBI. При відправленні пристрою до сервісного центру RYOBI, пристрій має бути надійно упакуваний для будь-якого безбезпечного вмісту, наприклад бензину, з позначеною адресою відправника та супроводжується коротким описом несправності.
- Ремонт / заміна відповідно до цієї гарантії здійснюється безкоштовно. Це не є основою для подовження або початку нового гарантійного періоду. Замінені частини або прилади переходять до власності компанії. У деяких країнах вартість доставки або поштові витрати повинні бути сплачені відправником. Загально встановлені права покупки на пристрій залишаються незмінними
- Ця гарантія діє в Європейському Союзі, Швейцарії, Ісландії, Норвегії, Лихтенштейні, Туреччині та Росії. За межами цих зон, будь ласка, зверніться до офіційного дилера RYOBI, щоб визначити, чи застосовується інша гарантія.

АВТОРИЗОВАНІ СЕРВІСНІ ЦЕНТРИ

Для отримання оновленого переліку авторизованих сервісних центрів, відвідайте <http://uk.ryobitools.eu/header/service-and-support/service-agents>.

TR RYOBI® GARANTİ UYGULAMA KOŞULLARI

Alımdan kaynaklanan yasal haklara ek olarak, ürün aşağıda belirtilen garanti kapsamındadır.

1. Tüketiciler için 24 ay olan garanti süresi, ürünün satın alındığı tarihte başlar. Bu tarihin bir fatura ya da alım kantıtyla belgelenmesi gerekir. Ürün sadece tüketim ve özel kullanım için geliştirilmiş ve adanmıştır. Bu nedenle, profesyonel ya da ticari kullanım halinde garanti kapsamı sağlanmaz.
2. Bahçe aletlerinin bir bölümü (AC/DC) için www.ryobitools.eu sayfasındaki kayıt işlemini kullanarak garantinin belirtilen süresinin ötesine uzatma imkanı mevcuttur. Aletlerin garanti süresinin uzatılmasına uygun olup olmadığı mağazalarda ve / veya ambalajda açıkça belirtilmiş olup, ürün dokümantasyonunda gösterilir. Son kullanıcının yeni aldığı aletleri satın alma tarihini izleyen 30 gün içinde kaydettirmesi gerekir. Son kullanıcı ikamet ettiği ülkede, bu seçeneğin geçerli olduğu çevrimiçi kayıt formunda belirtilmişse, uzatılmış garanti süresi için kayıt yaptırabilir. Dahası, son kullanıcıların çevrimiçi giriş için gerekli verilerin kaydedilmesine izin vermemi ve hüküm ve koşulları kabul etmelidir. E-posta ile gönderilen kayıt teyit makbuzu ve alım tarihini gösteren orijinal fatura uzatılmış garantinin kanıtı olarak değerlendirilir.
3. Garanti, ürünün alım tarihindeki işçilik ve malzeme kusurları nedeniyle garanti süresi içinde oluşacak bütün arızalarını kapsar. Bu garanti onarım ve değiştirmeyle sınırlı olup, tesadüfi ya da dolaylı hasarlar da dahil, ancak bunlarla kısıtlı olmayan başka hiçbir taahhüdü kapsamaz. Garanti, ürünün kötü, kullanıcı kılavuzuna aykırı kullanılmış ya da yanlış bağlanmış olması halinde geçerli değildir. Bu garanti aşağıdakileri kapsamaz:
 - ürende, yanlış bakımdan kaynaklanan herhangi bir hasar
 - değiştirilmiş ya da modifiye edilmiş herhangi bir ürün
 - orijinal tanıtmı işaretleri (ticari marka, seri numarası) silinmiş, değiştirilmiş ya da kaldırılmış herhangi bir ürün
 - kullanma kılavuzuna uymamaktan kaynaklanmış herhangi bir hasar
 - herhangi bir AT dışı ürün
 - kalifiye olmamış personel tarafından ya da önceden Techtronic Industries onayı alınmadan onarılmış herhangi bir ürün.
 - uygunsuz güç kaynağına (amper, voltaj, frekans) bağlanmış herhangi bir ürün
 - uygunsuz bir yakıt karışımıyla (yakıt, yağ, yap yüzdesi) kullanılmış herhangi bir ürün
 - harici etkenlerden (kimyasal, fiziksel, darbe) veya yabancı cisimlerden kaynaklanan her türlü hasar
 - normal aşınır ve yıpranır aksam
 - uygunsuz kullanım, aletin aşırı yüklenmesi
 - onaysız aksesuar veya parça kullanımı
 - Karbüratörlere uygulanacak her türlü periyodik ayar, bakım veya temizlik
 - Darbe Düğmeleri, Tahrik Kayışları, Kavrama, Çit Budama ya da Çim Bıçme Makinelerinin Bıçakları, Kayış Koşumlar, Kablo Gaz, Kömür Fırçalar, Güç Kablo, Dişler, Keçe Rondelalar, Bağlantı Pimleri, Üfleyci Pervaneleri, Üfleyci ve Vakum Boruları, Vakum Torbası ve Kayışları, Kılavuz Çubuklar, Zincir Testere, Hortumlar, Konektör bağlantıları, Püskürtme Memeleri, Çarklar, Püskürtme Çubukları, Dahili Makaralar, Harici Makaralar, Kesme Telleri, Bujiler, Hava Filtreleri, Gaz Filtreleri, Malçlama Bıçakları vb. gibi parçaları kapsayan, ancak bunlarla sınırlı olmayan, aşınma ve yıpranmaya tabi bileşenler (aksam ve aksesuarlar).
4. Ürünün servis için her ülkede aşağıdaki servis istasyonları adres listesinde yer alan yetkili bir RYOBI servis istasyonuna gönderilmesi ya götürülmesi gereklidir. Bazı ülkelerde, yerel RYOBI distribütörünüz ürünü RYOBI servis teşkilatına göndermeyi üstlenir. Bir ürün bir RYOBI servis istasyonuna gönderilirken, ürünün güvenli bir biçimde ambalajlanması, benzin gibi tehlikeli maddeler içermemesi, gönderenin adresini taşıması ve anızanın kısa bir açıklamasını içermesi gerekir.
5. Bu garanti kapsamında yapılacak onarım / değişiklik ücretsizdir. Garanti süresinin uzatılması ya da yeniden başlatılması anlamına gelmez. Değiştirilmiş parçalar veya aletler bize ait olur. Bazı ülkelerde teslimat ücretleri veya posta giderlerinin gönderici tarafından ödenmesi gerekir. Alımdan kaynaklanan yasal haklarınız etkilenmez
6. Bu Garanti Avrupa Topluluğu, İsviçre, İzlanda, Norveç, Liechtenstein, Türkiye ve Rusya'da geçerlidir. Bu alanların dışında, başka bir garantinin geçerli olup olmadığını belirlemek için lütfen yetkili RYOBI distribütörünüzle irtibata geçin.

YETKİLİ SERVİS MERKEZİ

En yakın yetkili servis merkezini öğrenmek için <http://uk.ryobitools.eu/header/service-and-support/service-agents> sitesine girin.

EN DECLARATION OF CONFORMITY

Techtronic Industries GmbH
Max-Eyth-Straße 10, 71364 Winnenden, Germany

Herewith we declare that the product

Cordless Patio Cleaner
Brand: RYOBI
Model number: OPC1800/OPC1815/RPC180020S
Serial number range: 46288301000001 - 46288301999999

is in conformity with the following European Directives and harmonised standards

2006/42/EC, 2014/30/EU, 2011/65/EU, EN 60745-1:2009+A11:2010,
EN 786:1996+A2:2009, EN 55014-1:2017, EN 55014-2:2015,
EN 50581:2012, EN 1083-2:1997, EN ISO 12100:2010



Todd Chipner
Sr. Director, Regulatory & Safety
Winnenden, Dec. 15, 2018

Authorised to compile the technical file:
Alexander Krug, Managing Director
Techtronic Industries GmbH
Max-Eyth-Straße 10, 71364 Winnenden, Germany

CE

DE KONFORMITÄTSERKLÄRUNG

Techtronic Industries GmbH
Max-Eyth-Straße 10, 71364 Winnenden, Germany

Hiermit erklären wir, dass die Produkte

Akku-Flächenreiniger
Marke: RYOBI
Modellnummer: OPC1800/OPC1815/RPC180020S
Seriennummernbereich: 46288301000001 - 46288301999999

mit den folgenden europäischen Richtlinien und harmonisierten Normen übereinstimmt

2006/42/EC, 2014/30/EU, 2011/65/EU, EN 60745-1:2009+A11:2010,
EN 786:1996+A2:2009, EN 55014-1:2017, EN 55014-2:2015,
EN 50581:2012, EN 1083-2:1997, EN ISO 12100:2010



Todd Chipner
Sr. Director, Vorschriften und Sicherheit
Winnenden, Dec. 15, 2018

Autorisiert die technische Datei zu erstellen:
Alexander Krug, Geschäftsführer
Techtronic Industries GmbH
Max-Eyth-Straße 10, 71364 Winnenden, Germany

CE

FR DÉCLARATION DE CONFORMITÉ

Techtronic Industries GmbH
Max-Eyth-Straße 10, 71364 Winnenden, Germany

Déclarons par la présente que le produit

Nettoyeur de surfaces sans fil
Marque: RYOBI
Numéro de modèle: OPC1800/OPC1815/RPC180020S
Étendue des numéros de série: 46288301000001 - 46288301999999

est conforme aux Directives Européennes et Normes Harmonisées suivantes

2006/42/EC, 2014/30/EU, 2011/65/EU, EN 60745-1:2009+A11:2010,
EN 786:1996+A2:2009, EN 55014-1:2017, EN 55014-2:2015,
EN 50581:2012, EN 1083-2:1997, EN ISO 12100:2010



Todd Chipner
Directeur principal, Réglementation & Sécurité
Winnenden, Dec. 15, 2018

Autorisé à rédiger le dossier technique:
Alexander Krug, Directeur Général
Techtronic Industries GmbH
Max-Eyth-Straße 10, 71364 Winnenden, Germany

CE

ES DECLARACIÓN DE CONFORMIDAD

Techtronic Industries GmbH
Max-Eyth-Straße 10, 71364 Winnenden, Germany

Por la presente declaramos que los productos

Limpiador de patios inalámbrico
Marca: RYOBI
Número de modelo: OPC1800/OPC1815/RPC180020S
Intervalo del número de serie: 46288301000001 - 46288301999999

se encuentra en conformidad con las siguientes Directivas Europeas y normas armonizadas

2006/42/EC, 2014/30/EU, 2011/65/EU, EN 60745-1:2009+A11:2010,
EN 786:1996+A2:2009, EN 55014-1:2017, EN 55014-2:2015,
EN 50581:2012, EN 1083-2:1997, EN ISO 12100:2010



Todd Chipner
Director principal, Director General de Normativa y Seguridad
Winnenden, Dec. 15, 2018

Autorizado para elaborar la ficha técnica:
Alexander Krug, Administrador Ejecutivo
Techtronic Industries GmbH
Max-Eyth-Straße 10, 71364 Winnenden, Germany

CE

IT DICHIARAZIONE DI CONFORMITÀ

Techtronic Industries GmbH
Max-Eyth-Straße 10, 71364 Winnenden, Germany

Si dichiara con la presente che il prodotto

Pulitore per cortile senza fili
Marca: RYOBI
Numero modello: OPC1800/OPC1815/RPC180020S
Gamma numero seriale: 46288301000001 - 46288301999999

è conforme alle seguenti Direttive Europee e ai seguenti standard armonizzati

2006/42/EC, 2014/30/EU, 2011/65/EU, EN 60745-1:2009+A11:2010,
EN 786:1996+A2:2009, EN 55014-1:2017, EN 55014-2:2015,
EN 50581:2012, EN 1083-2:1997, EN ISO 12100:2010



Todd Chipner
Sig. Direttore, Dipartimento Regolazioni & Sicurezza
Winnenden, Dec. 15, 2018

Autorizzato per compilare il file tecnico:
Alexander Krug, Direttore Amministrativo
Techtronic Industries GmbH
Max-Eyth-Straße 10, 71364 Winnenden, Germany

CE

PT DECLARAÇÃO DE CONFORMIDADE

Techtronic Industries GmbH
Max-Eyth-Straße 10, 71364 Winnenden, Germany

Pelo presente declaramos que os produtos

Equipamento de limpeza de pátios sem fios
Marca: RYOBI
Número do modelo: OPC1800/OPC1815/RPC180020S
Intervalo do número de série: 46288301000001 - 46288301999999

se encontra em conformidade com as seguintes Directivas Europeias e normas harmozadas

2006/42/EC, 2014/30/EU, 2011/65/EU, EN 60745-1:2009+A11:2010,
EN 786:1996+A2:2009, EN 55014-1:2017, EN 55014-2:2015,
EN 50581:2012, EN 1083-2:1997, EN ISO 12100:2010



Todd Chipner
Sr. Diretor, Regulamentação & Segurança
Winnenden, Dec. 15, 2018

Autorizado para compilar o ficheiro técnico:
Alexander Krug, Administrador Executivo
Techtronic Industries GmbH
Max-Eyth-Straße 10, 71364 Winnenden, Germany

CE

NL CONFORMITEITSVERKLARING

Techtronic Industries GmbH
Max-Eyth-Straße 10, 71364 Winnenden, Germany

Hierbij verklaren wij dat het product

Draadloze terrasreiniger
Merk: RYOBI
Modelnummer: OPC1800/OPC1815/RPC180020S
Serienummerbereik: 46288301000001 - 46288301999999

is in overeenstemming met de volgende Europese Richtlijnen en geharmoniseerde normen

2006/42/EC, 2014/30/EU, 2011/65/EU, EN 60745-1:2009+A11:2010,
EN 786:1996+A2:2009, EN 55014-1:2017, EN 55014-2:2015,
EN 50581:2012, EN 1083-2:1997, EN ISO 12100:2010



Todd Chipner
Dhr. Directeur, Regelgeving en veiligheid
Winnenden, Dec. 15, 2018

Afgevaardigde voor het samenstellen van de technische fiche:
Alexander Krug, Directeur
Techtronic Industries GmbH
Max-Eyth-Straße 10, 71364 Winnenden, Germany

CE

DA OVERENSSTEMMELSESERKLÆRING

Techtronic Industries GmbH
Max-Eyth-Straße 10, 71364 Winnenden, Germany

Vi erklærer hermed, at produktet

Ledningsfri terrasrenserer
Brand: RYOBI
Modelnummer: OPC1800/OPC1815/RPC180020S
Serienummerområde: 46288301000001 - 46288301999999

er i overensstemmelse med følgende EU-direktiver og harmoniserede standarder

2006/42/EC, 2014/30/EU, 2011/65/EU, EN 60745-1:2009+A11:2010,
EN 786:1996+A2:2009, EN 55014-1:2017, EN 55014-2:2015,
EN 50581:2012, EN 1083-2:1997, EN ISO 12100:2010



Todd Chipner
Hr. Direktør, regler og sikkerhed
Winnenden, Dec. 15, 2018

Bemyndiget til at udarbejde det tekniske kartotek:
Alexander Krug, Administrerende Direktør
Techtronic Industries GmbH
Max-Eyth-Straße 10, 71364 Winnenden, Germany

CE

SV KONFORMITETSDEKLARATION

Techtronic Industries GmbH
Max-Eyth-Straße 10, 71364 Winnenden, Germany

Härmed deklarerar vi att produkterna

Sladdlös borst rengörare
Märke: RYOBI
Modellnummer: OPC1800/OPC1815/RPC180020S
Serienummerintervall: 46288301000001 - 46288301999999

är i enlighet med följande EU-direktiv och harmoniserade standarder
2006/42/EC, 2014/30/EU, 2011/65/EU, EN 60745-1:2009+A11:2010,
EN 786:1996+A2:2009, EN 55014-1:2017, EN 55014-2:2015,
EN 50581:2012, EN 1083-2:1997, EN ISO 12100:2010

Todd Chipner
Överordnad direktör, regelverk och säkerhet
Winnenden, Dec. 15, 2018

Godkänd att sammanställa den tekniska filen:
Alexander Krug, VD
Techtronic Industries GmbH
Max-Eyth-Straße 10, 71364 Winnenden, Germany

CE

NO SAMSVARERKLÆRING

Techtronic Industries GmbH
Max-Eyth-Straße 10, 71364 Winnenden, Germany

Herved erklærer vi at produktet

Trådløs plattrengjøringsenhet
Märke: RYOBI
Modellnummer: OPC1800/OPC1815/RPC180020S
Serienummerserie: 46288301000001 - 46288301999999

er i samsvar med følgende europeiske direktiver og harmoniserte standarder
2006/42/EC, 2014/30/EU, 2011/65/EU, EN 60745-1:2009+A11:2010,
EN 786:1996+A2:2009, EN 55014-1:2017, EN 55014-2:2015,
EN 50581:2012, EN 1083-2:1997, EN ISO 12100:2010

Todd Chipner
Sr. direktør, CPT leverandørkvalitet, forskrifter og sikkerhet
Winnenden, Dec. 15, 2018

Autorisert til å sette sammen den tekniske filen:
Alexander Krug, Administrerende Direktør
Techtronic Industries GmbH
Max-Eyth-Straße 10, 71364 Winnenden, Germany

CE

FI SÄÄNNÖSTEN NOUDATTAMINEN

Techtronic Industries GmbH
Max-Eyth-Straße 10, 71364 Winnenden, Germany

Ilmoitamme täten, että tuotteet

Langaton pationpuhdistaja
Tuotemerkki: RYOBI
Mallinumero: OPC1800/OPC1815/RPC180020S
Sarjanumerovalue: 46288301000001 - 46288301999999

noudattaa seuraavia EU-direktivejä ja harmonoituja standardeja
2006/42/EC, 2014/30/EU, 2011/65/EU, EN 60745-1:2009+A11:2010,
EN 786:1996+A2:2009, EN 55014-1:2017, EN 55014-2:2015,
EN 50581:2012, EN 1083-2:1997, EN ISO 12100:2010

Todd Chipner
Sr. Director, säädösten mukaisuus ja turvallisuus
Winnenden, Dec. 15, 2018

Valtuutettu kokoamaan tekninen tiedosto:
Alexander Krug, Toimitusjohtaja
Techtronic Industries GmbH
Max-Eyth-Straße 10, 71364 Winnenden, Germany

CE

RU ЗАЯВЛЕНИЕ О СООТВЕТСТВИИ ТРЕБОВАНИЯМ

Techtronic Industries GmbH
Max-Eyth-Straße 10, 71364 Winnenden, Germany

Настоящим мы заявляем, что данный продукт

Беспроводной пылесос для patio
Марка: RYOBI
Номер модели: OPC1800/OPC1815/RPC180020S
Диапазон заводских номеров: 46288301000001 - 46288301999999

соответствует требованиям следующих Директив ЕС и согласованных стандартов
2006/42/EC, 2014/30/EU, 2011/65/EU, EN 60745-1:2009+A11:2010,
EN 786:1996+A2:2009, EN 55014-1:2017, EN 55014-2:2015,
EN 50581:2012, EN 1083-2:1997, EN ISO 12100:2010

Todd Chipner
Г-н Директор, технике безопасности и стандартам
Winnenden, Dec. 15, 2018

Лицо, ответственное за подготовку технической документации:
Alexander Krug, Директор
Techtronic Industries GmbH
Max-Eyth-Straße 10, 71364 Winnenden, Germany

CE

PL DEKLARACJA ZGODNOŚCI

Techtronic Industries GmbH
Max-Eyth-Straße 10, 71364 Winnenden, Germany

Niniejszym deklarujemy, że produkty

Bezprzewodowa myjka do tarasów
Marka: RYOBI
Numer modelu: OPC1800/OPC1815/RPC180020S
Zakres numerów seryjnych: 46288301000001 - 46288301999999

jest zgodny z następującymi dyrektywami europejskimi i zharmonizowanymi normami

2006/42/EC, 2014/30/EU, 2011/65/EU, EN 60745-1:2009+A11:2010,
EN 786:1996+A2:2009, EN 55014-1:2017, EN 55014-2:2015,
EN 50581:2012, EN 1083-2:1997, EN ISO 12100:2010

Todd Chipner
Starszy dyrektor ds. zgodności prawnej i bezpieczeństwa
Winnenden, Dec. 15, 2018

Osoba upoważniona do sporządzenia dokumentu technicznego:
Alexander Krug, Dyrektor Zarządzający
Techtronic Industries GmbH
Max-Eyth-Straße 10, 71364 Winnenden, Germany

HU MEGFELELŐSÉGI NYILATKOZAT

Techtronic Industries GmbH
Max-Eyth-Straße 10, 71364 Winnenden, Germany

Ezúton kijelentjük, hogy a termék

Vezeték nélküli terasztisztító
Márka: RYOBI
Típusszám: OPC1800/OPC1815/RPC180020S
Sorozatszám tartomány: 46288301000001 - 46288301999999

megfelel az alábbi Európai Irányelvek és harmonizált szabványok vonatkozó rendelkezéseinek

2006/42/EC, 2014/30/EU, 2011/65/EU, EN 60745-1:2009+A11:2010,
EN 786:1996+A2:2009, EN 55014-1:2017, EN 55014-2:2015,
EN 50581:2012, EN 1083-2:1997, EN ISO 12100:2010

Todd Chipner
Senior igazgató, Megfelelőségi és biztonsági területek
Winnenden, Dec. 15, 2018

A műszaki dokumentáció összeállítására felhatalmazott:
Alexander Krug, Ügyvezető Igazgató
Techtronic Industries GmbH
Max-Eyth-Straße 10, 71364 Winnenden, Germany

CS PROHLÁŠENÍ O SHODĚ

Techtronic Industries GmbH
Max-Eyth-Straße 10, 71364 Winnenden, Germany

Tímto prohlašujeme, že výrobky

Akumulátorový čistič dlažby
Značka: RYOBI
Číslo modelu: OPC1800/OPC1815/RPC180020S
Rozsah sériových čísel: 46288301000001 - 46288301999999

že tento výrobek je v souladu s evropskými a harmonizovanými standardy
2006/42/EC, 2014/30/EU, 2011/65/EU, EN 60745-1:2009+A11:2010,
EN 786:1996+A2:2009, EN 55014-1:2017, EN 55014-2:2015,
EN 50581:2012, EN 1083-2:1997, EN ISO 12100:2010

Todd Chipner
Vyšší ředitel, normy a bezpečnost
Winnenden, Dec. 15, 2018

Pověření ke kompilaci technického souboru:
Alexander Krug, Generální ředitel
Techtronic Industries GmbH
Max-Eyth-Straße 10, 71364 Winnenden, Germany

RO DECLARAȚIE DE CONFORMITATE

Techtronic Industries GmbH
Max-Eyth-Straße 10, 71364 Winnenden, Germany

Prin prezenta, declarăm că produsele

Mașină fără fir de curățat curtea
Mărcă: RYOBI
Număr serie: OPC1800/OPC1815/RPC180020S
Gamă număr serie: 46288301000001 - 46288301999999

este în conformitate cu următoarele Directive Europene și standarde armonizate
2006/42/EC, 2014/30/EU, 2011/65/EU, EN 60745-1:2009+A11:2010,
EN 786:1996+A2:2009, EN 55014-1:2017, EN 55014-2:2015,
EN 50581:2012, EN 1083-2:1997, EN ISO 12100:2010

Todd Chipner
Director Senior, reglementare și siguranță
Winnenden, Dec. 15, 2018

Autorizat să completeze fișa tehnică:
Alexander Krug, Director General
Techtronic Industries GmbH
Max-Eyth-Straße 10, 71364 Winnenden, Germany

LV ATBILSTĪBAS DEKLARĀCIJA

Techtronic Industries GmbH
Max-Eyth-Straße 10, 71364 Winnenden, Germany

Ar šo paziņojam, ka produkti

Akumulatoru pagalma tīrītājs
Zīmols: RYOBI
Modeļa numurs: OPC1800/OPC1815/RPC180020S
Sērijas numura intervāls: 46288301000001 - 46288301999999

atbilst šādām Eiropas direktīvām un saskaņotajiem standartiem
2006/42/EC, 2014/30/EU, 2011/65/EU, EN 60745-1:2009+A11:2010,
EN 786:1996+A2:2009, EN 55014-1:2017, EN 55014-2:2015,
EN 50581:2012, EN 1083-2:1997, EN ISO 12100:2010

Todd Chipner
Vecākais Direktors, darba drošības noteikumi
Winnenden, Dec. 15, 2018

Pilnvarots sastādīt tehnisko failu:
Alexander Krug, Izpildedzītājs
Techtronic Industries GmbH
Max-Eyth-Straße 10, 71364 Winnenden, Germany

CE

ET VASTAVUSDEKLARATSIOON

Techtronic Industries GmbH
Max-Eyth-Straße 10, 71364 Winnenden, Germany

Kinnitame, et see toode

Juhtmeta terrasipuhasti
Mark: RYOBI
Mudeli number: OPC1800/OPC1815/RPC180020S
Seerianumbri vahemik: 46288301000001 - 46288301999999

vastab järgmistele Euroopa direktiividele ja harmoniseeritud standarditele
2006/42/EC, 2014/30/EU, 2011/65/EU, EN 60745-1:2009+A11:2010,
EN 786:1996+A2:2009, EN 55014-1:2017, EN 55014-2:2015,
EN 50581:2012, EN 1083-2:1997, EN ISO 12100:2010

Todd Chipner
Vanemdirektor, standardiseerimise ja ohutuse alal
Winnenden, Dec. 15, 2018

Tehnilise faili koostamiseks volitatud isik:
Alexander Krug, Tegevdirektor
Techtronic Industries GmbH
Max-Eyth-Straße 10, 71364 Winnenden, Germany

CE

LT ATITIKTIES DEKLARACIJA

Techtronic Industries GmbH
Max-Eyth-Straße 10, 71364 Winnenden, Germany

Mes pareiškiame, kad šie produktai

Akumulatorinis terasų plovimo įrenginys
Prekės ženklas: RYOBI
Modelio numeris: OPC1800/OPC1815/RPC180020S
Serijinio numerio diapazonas: 46288301000001 - 46288301999999

pagamintas laikantis toliau nurodytųjų Europos Direktyvų ir darniųjų standartų
2006/42/EC, 2014/30/EU, 2011/65/EU, EN 60745-1:2009+A11:2010,
EN 786:1996+A2:2009, EN 55014-1:2017, EN 55014-2:2015,
EN 50581:2012, EN 1083-2:1997, EN ISO 12100:2010

Todd Chipner
Vyr. direktorius, Kontrolės ir saugos
Winnenden, Dec. 15, 2018

Ilgaliotos sudaryti techninį failą:
Alexander Krug, Generalinis Direktorius
Techtronic Industries GmbH
Max-Eyth-Straße 10, 71364 Winnenden, Germany

CE

HR IZJAVA O USKLADENOSTI

Techtronic Industries GmbH
Max-Eyth-Straße 10, 71364 Winnenden, Germany

Ovime izjavljujemo da su proizvodi

Akumulatorski čistač terase
Marka: RYOBI
Broj modela: OPC1800/OPC1815/RPC180020S
Raspon serijskog broja: 46288301000001 - 46288301999999

usklađen sa sljedećim Europskim Direktivama i usklađenim normama
2006/42/EC, 2014/30/EU, 2011/65/EU, EN 60745-1:2009+A11:2010,
EN 786:1996+A2:2009, EN 55014-1:2017, EN 55014-2:2015,
EN 50581:2012, EN 1083-2:1997, EN ISO 12100:2010

Todd Chipner
Viši direktor, pravila i sigurnost
Winnenden, Dec. 15, 2018

Ovlašten da sastavi tehničku datoteku:
Alexander Krug, Direktor Upravljanja
Techtronic Industries GmbH
Max-Eyth-Straße 10, 71364 Winnenden, Germany

CE

SL IZJAVA O SKLADNOSTI

Techtronic Industries GmbH
Max-Eyth-Straße 10, 71364 Winnenden, Germany

Izjavljamo, da je izdelek

Brezžični čistilec dvorišč
Znamka: RYOBI
Številka modela: OPC1800/OPC1815/RPC180020S
Razpon serijskih števil: 46288301000001 - 46288301999999

v skladu s sledečimi evropskimi direktivami in harmoniziranimi standardi
2006/42/EC, 2014/30/EU, 2011/65/EU, EN 60745-1:2009+A11:2010,
EN 786:1996+A2:2009, EN 55014-1:2017, EN 55014-2:2015,
EN 50581:2012, EN 1083-2:1997, EN ISO 12100:2010

Todd Chipner
Višji direktor, zakonodajne in varnostne zadeve
Winnenden, Dec. 15, 2018

Pooblaščen oseba za sestavo tehnične dokumentacije:
Alexander Krug, Izvršni Direktor
Techtronic Industries GmbH
Max-Eyth-Straße 10, 71364 Winnenden, Germany

CE

BG ДЕКЛАРАЦИЯ НА ЗА СЪОТВЕТСТВИЕ

Techtronic Industries GmbH
Max-Eyth-Straße 10, 71364 Winnenden, Germany

С настоящето декларираме, че продуктите

Безжичен уред за почистване на двор
Марка: RYOBI
Номер на модела: OPC1800/OPC1815/RPC180020S
Обхват на серийни номера: 46288301000001 - 46288301999999

отговаря на следните директиви на ЕС и хармонизирани стандарти
2006/42/EC, 2014/30/EU, 2011/65/EU, EN 60745-1:2009+A11:2010,
EN 786:1996+A2:2009, EN 55014-1:2017, EN 55014-2:2015,
EN 50581:2012, EN 1083-2:1997, EN ISO 12100:2010

Todd Chipner
Главен директор, отдел Нормативни изисквания и безопасност
Winnenden, Dec. 15, 2018

Упълномощено лице за съставяне на техническия файл:
Alexander Krug, Изпълнителен Директор
Techtronic Industries GmbH
Max-Eyth-Straße 10, 71364 Winnenden, Germany

CE

SK PREHLÁSENIE O ZHODE

Techtronic Industries GmbH
Max-Eyth-Straße 10, 71364 Winnenden, Germany

Týmto vyhlasujeme, že výrobok

Akumulátorový čistíč terasy
Značka: RYOBI
Číslo modelu: OPC1800/OPC1815/RPC180020S
Rozsah sériových čísel: 46288301000001 - 46288301999999

je v súlade s nasledujúcimi Európskymi smernicami a harmonizovanými normami
2006/42/EC, 2014/30/EU, 2011/65/EU, EN 60745-1:2009+A11:2010,
EN 786:1996+A2:2009, EN 55014-1:2017, EN 55014-2:2015,
EN 50581:2012, EN 1083-2:1997, EN ISO 12100:2010

Todd Chipner
vyšší riaditeľ, Regulácia a bezpečnosť
Winnenden, Dec. 15, 2018

Oprávnená osoba na zostavenie technického súboru:
Alexander Krug, Generálny Riaditeľ
Techtronic Industries GmbH
Max-Eyth-Straße 10, 71364 Winnenden, Germany

CE

UK ДЕКЛАРАЦИЯ ПРО ВІДПОВІДНІСТЬ

Techtronic Industries GmbH
Max-Eyth-Straße 10, 71364 Winnenden, Germany

При цьому ми заявляємо, що продукт

Бездротовий очищувач для патіо
Марка: RYOBI
Номер моделі: OPC1800/OPC1815/RPC180020S
Діапазон серійного номеру: 46288301000001 - 46288301999999

у відповідності з наступними європейськими директивами та гармонізованими стандартами
2006/42/EC, 2014/30/EU, 2011/65/EU, EN 60745-1:2009+A11:2010,
EN 786:1996+A2:2009, EN 55014-1:2017, EN 55014-2:2015,
EN 50581:2012, EN 1083-2:1997, EN ISO 12100:2010

Todd Chipner
Ген. директор, регулювання і безпека
Winnenden, Dec. 15, 2018

Дозвіл на складання технічного файла:
Alexander Krug, керуючий Директор
Techtronic Industries GmbH
Max-Eyth-Straße 10, 71364 Winnenden, Germany

CE

TR UYGUNLUK BEYANI

Techtronic Industries GmbH
Max-Eyth-StraÙe 10, 71364 Winnenden, Germany

IÙ bu belge ile bu ürünün

Kablosuz Avlu Temizleyici

Marka: RYOBI

Model numarası: OPC1800/OPC1815/RPC180020S

Seri numarası aralığı: 46288301000001 - 46288301999999

*aÙağıdaki Avrupa Direktiflerine ve uyulaÙtırılmıÙ standartlara uygun olduđunu
beyan ediyorum*

2006/42/EC, 2014/30/EU, 2011/65/EU, EN 60745-1:2009+A11:2010,

EN 786:1996+A2:2009, EN 55014-1:2017, EN 55014-2:2015,

EN 50581:2012, EN 1083-2:1997, EN ISO 12100:2010



CE

Todd Chipner
Kıdemli Direktör, Düzenleme ve Güvenlik
Winnenden, Dec. 15, 2018

Teknik dosyayı derlemekle yetkili sorumlu:
Alexander Krug, Genel Müdür
Techtronic Industries GmbH
Max-Eyth-StraÙe 10, 71364 Winnenden, Germany





EN RYOBI is a trademark of Ryobi Limited, and is used under license.
FR RYOBI est une marque déposée de Ryobi Limited, et est utilisée sous licence.
DE RYOBI ist ein Markenzeichen von Ryobi Limited und wird in Lizenz verwendet.
ES RYOBI es una marca registrada de Ryobi Limited, y se utiliza bajo licencia.
IT L'utilizzo del marchio registrato RYOBI è legato alla licenza concessa da Ryobi Limited.
NL RYOBI is een handelsmerk van Ryobi Limited en wordt onder licentie gebruikt.
PT RYOBI é uma marca comercial de Ryobi Limited, e é utilizada sob licença.
DA RYOBI er et varemærke tilhørende Ryobi Limited og bruges under licens.
SV RYOBI är en del av varumärke Ryobi Limited och dess användning är licensierad.
FI RYOBI on Ryobi Limitedin omistama tavaramerkki, ja sitä käytetään lisenssin puitteissa.
NO RYOBI er et varemerke for Ryobi Limited, og brukes under lisens.
RU RYOBI является товарным знаком компании Ryobi Limited, используемым по лицензии.
PL RYOBI to znak towarowy firmy Ryobi Limited i jest używany zgodnie z udzieloną licencją.
CS RYOBI je ochranná známka společnosti Ryobi Limited a její používání podléhá licenci.
HU A RYOBI a Ryobi Limited védjegye, használatát licenc keretében történik.
RO RYOBI este o marcă comercială a firmei Ryobi Limited și este utilizată sub licență.
LV RYOBI ir Ryobi Limited preču zīme un tiek izmantota saskaņā ar licenci.
LT „RYOBI” yra „Ryobi Limited” prekės ženklas, naudojamas pagal licenciją.
ET RYOBI on ettevõtte Ryobi Limited kaubamärk, mida kasutatakse litsentsi alusel.
HR RYOBI je žig tvrtke Ryobi Limited i koristi se po licenci.
SL RYOBI je blagovna znamka družbe Ryobi Limited in se uporablja na podlagi dovoljenja.
SK RYOBI je ochranná známka spoločnosti Ryobi Limited a používa sa na základe licencie.
BG RYOBI е търговска марка на Ryobi Limited и се използва под лиценз.
UK RYOBI е товарним знаком Ryobi Limited, і використовується за ліцензією.
TR RYOBI, Ryobi Limited şirketine ait olup, lisans altında kullanılan bir ticari markadır.





Techtronic Industries GmbH
Max-Eyth-Straße 10,
71364 Winnenden, Germany

961480062-02