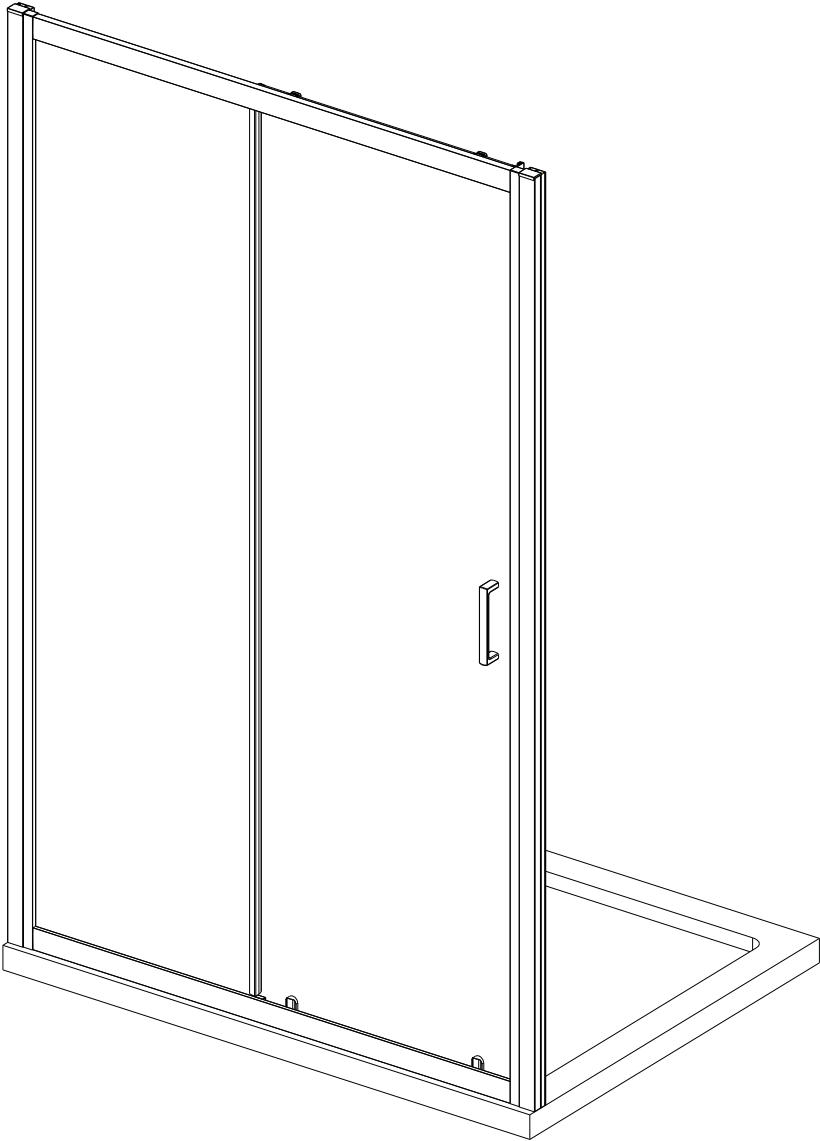


SLIDING DOOR

MBOX

Created by
MERLYN



INSTALLATION GUIDE

IMPORTANT:Please read the complete instructions before commencing fitting.

Make sure the tray is 100% level in all directions.

Check that you have the tools required.

Check the installation site is compatible with the size of door supplied.

Check all the enclosure components are present.

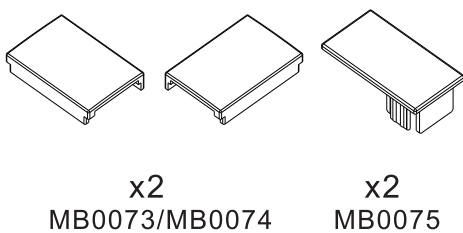
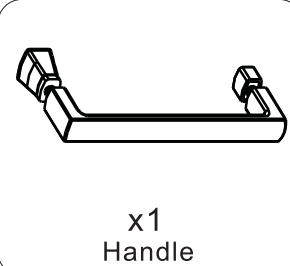
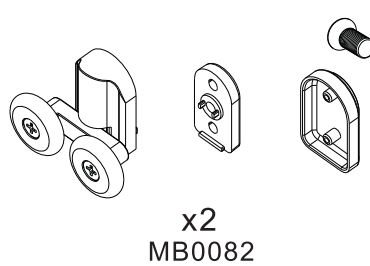
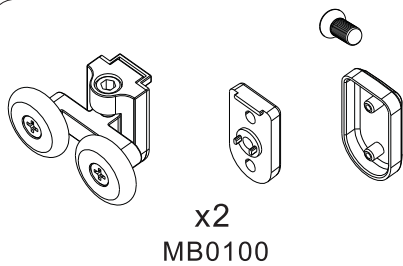
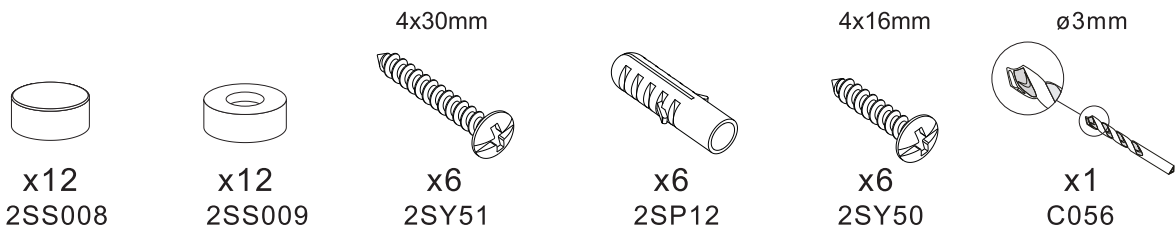
Check the installation kit is complete.

Do Not attempt to install the product unless you can tick all 4 boxes.

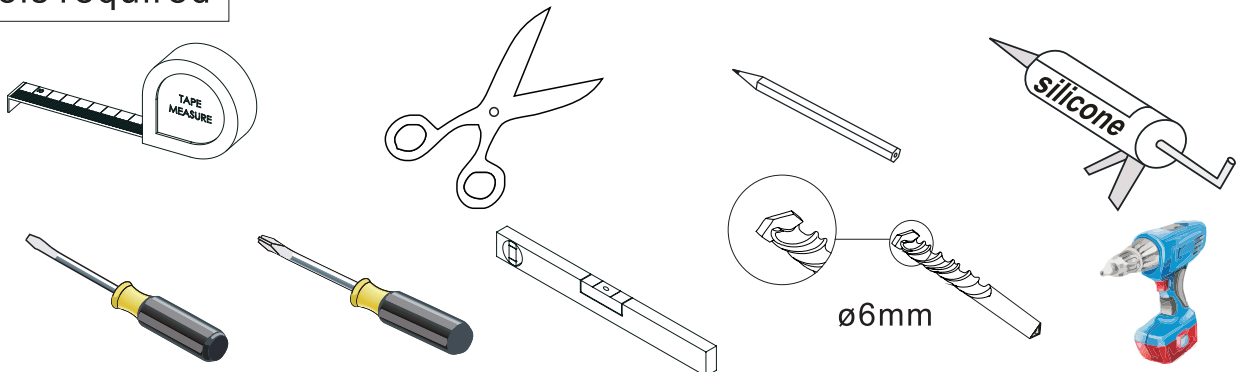
The wall plugs supplied with the installation kit are for use in solid walls. Hollow or 'stud partition' walls will require alternative fixings. Please consult a hardware supplier for the correct type. It may also be necessary to consult your tiling supplier about the correct method for drilling your tiles.

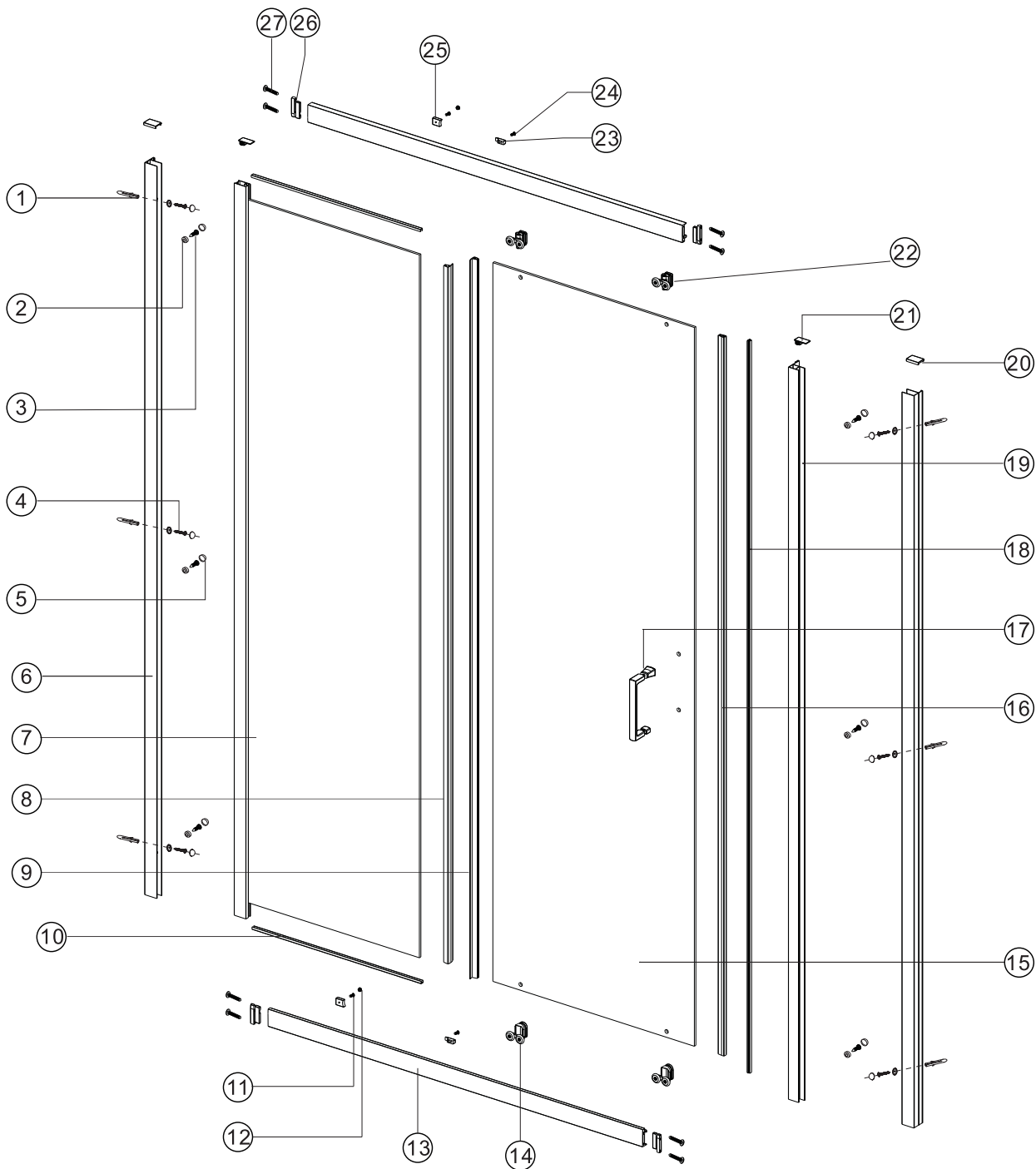
ATTENTION: TAKE EXTREME CARE WHEN HANDLING GLASS, WEAR PROTECTIVE EYEWEAR AND CLOTHING. DO NOT LEAVE THE GLASS ON HARD SURFACES AND AVOID CONTACT BETWEEN THE GLASS EDGES AND HARD SURFACES OR IMPACTS DURING THE INSTALLATION.

Fixing kit components



Tools required





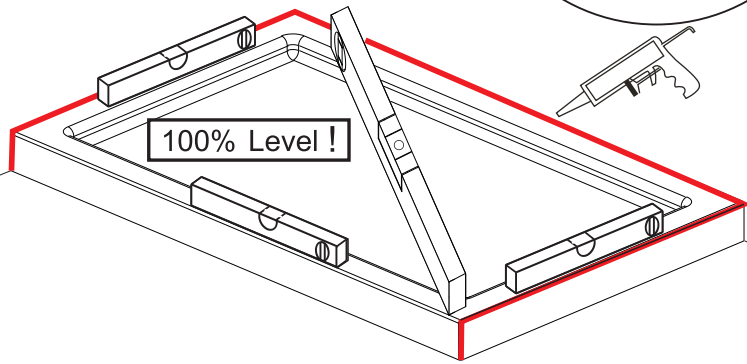
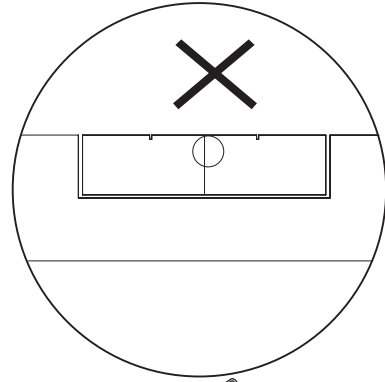
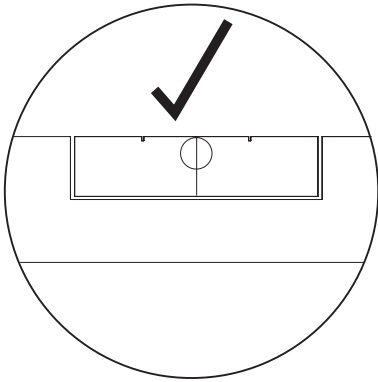
No.	Qty	Part No.
1	6	2SP12
2	12	2S009
3	6	2SY50
4	6	2SY51
5	12	2S008
6	2	MB0001/MB0084
7	1	A
8	1	MB0048/MB0092
9	1	MB0049/MB0093

No.	Qty	Part No.
10	2	A12S0049
11	2	2SY59
12	2	MB0067
13	2	MB0017-23
14	2	MB0082
15	1	B
16	1	MB0044/MB0090
17	1	Handle
18	1	MB0043/MB0089

No.	Qty	Part No.
19	1	MB0002/MB0085
20	2	MB0073/MB0074
21	2	MB0075
22	2	MB0100
23	2	A12S0020
24	2	MB0068
25	2	MB0065/MB0066
26	4	MB0063/MB0064
27	8	N081

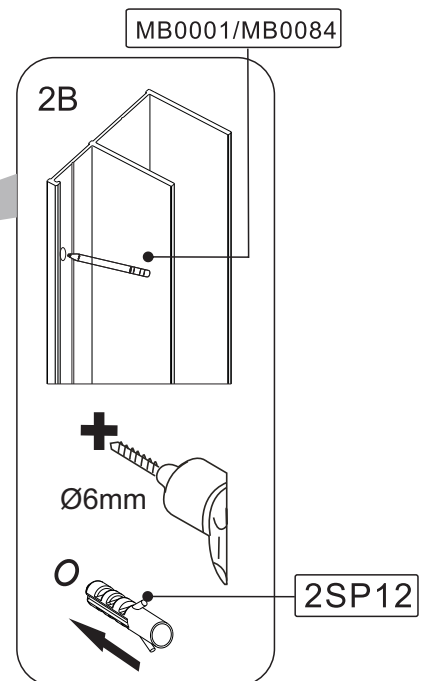
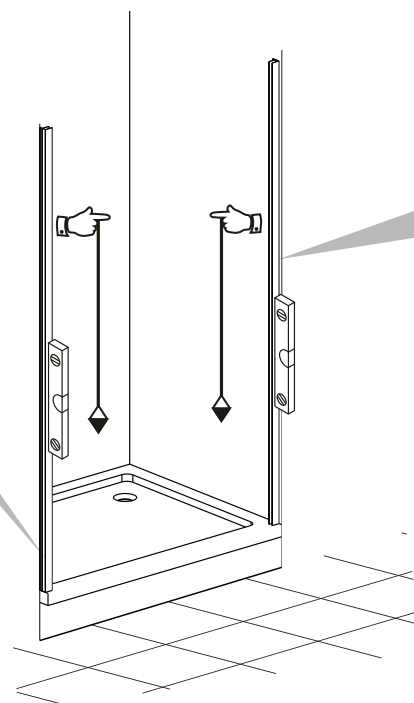
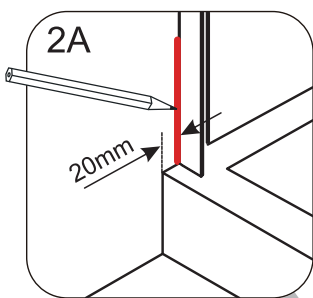
1

Please ensure your tray is 100% level in all directions before fitting your enclosure.



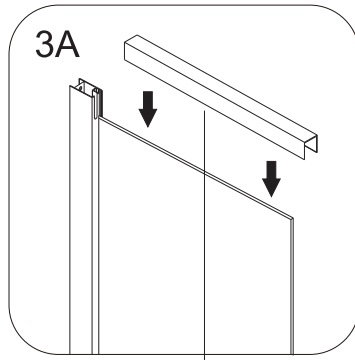
2

Determine your step in from the edge of the tray. 20mm is recommended. Plumb your wall profiles on each side then mark and drill your fixing positions. You can then remove your wall profiles and begin the frame assembly off the tray.

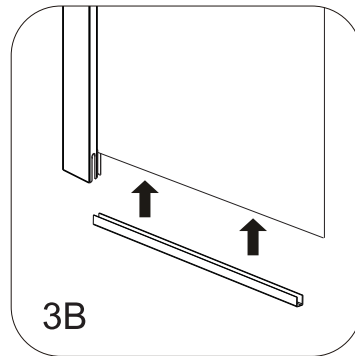


3

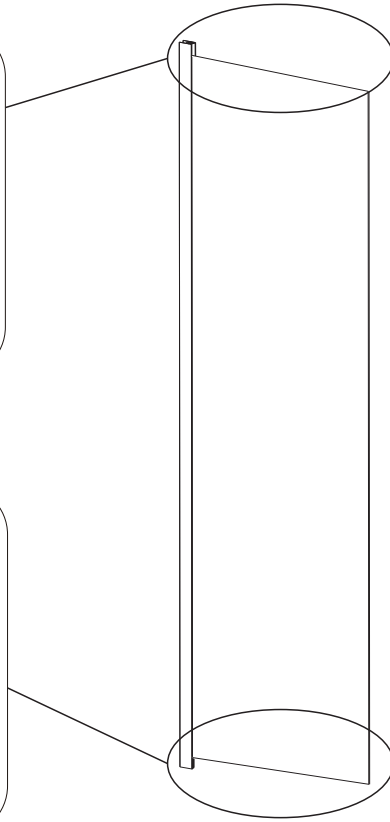
Fit your fixed panels seal to the top and bottom of the fixed panel.



A12S0049

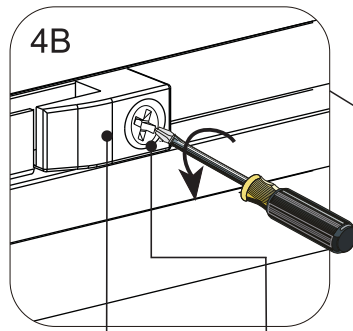
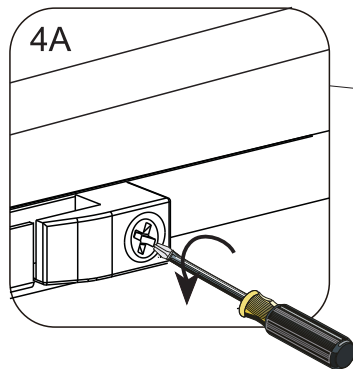


3B



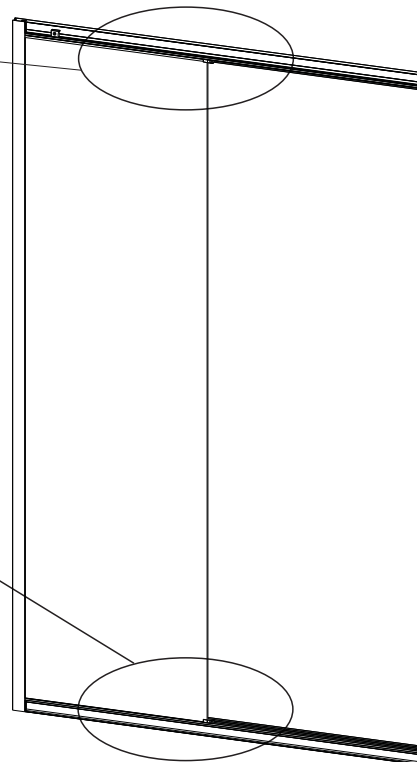
4

Loosen A12S0020 before you fit your top and bottom profile to the upright profile.

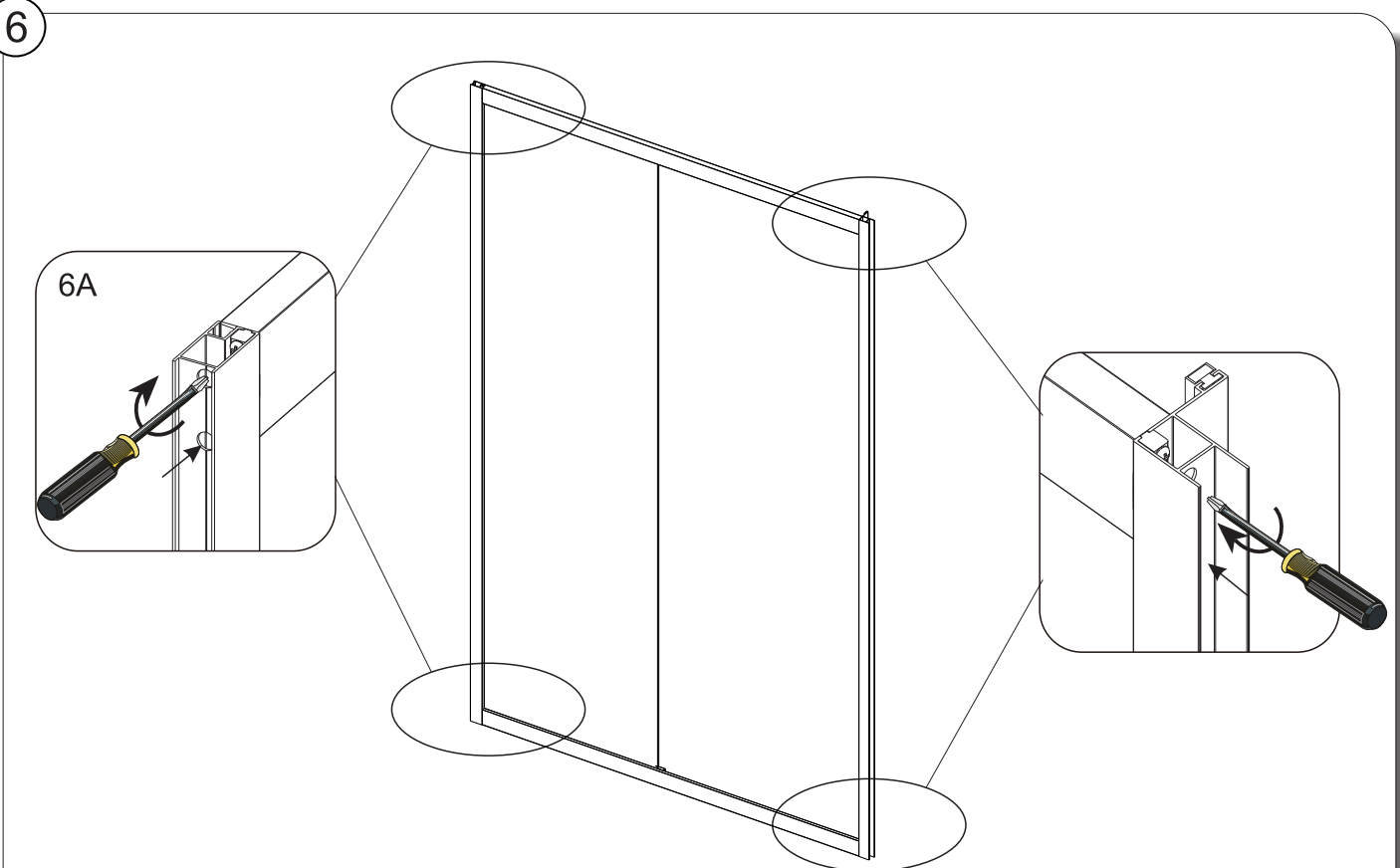
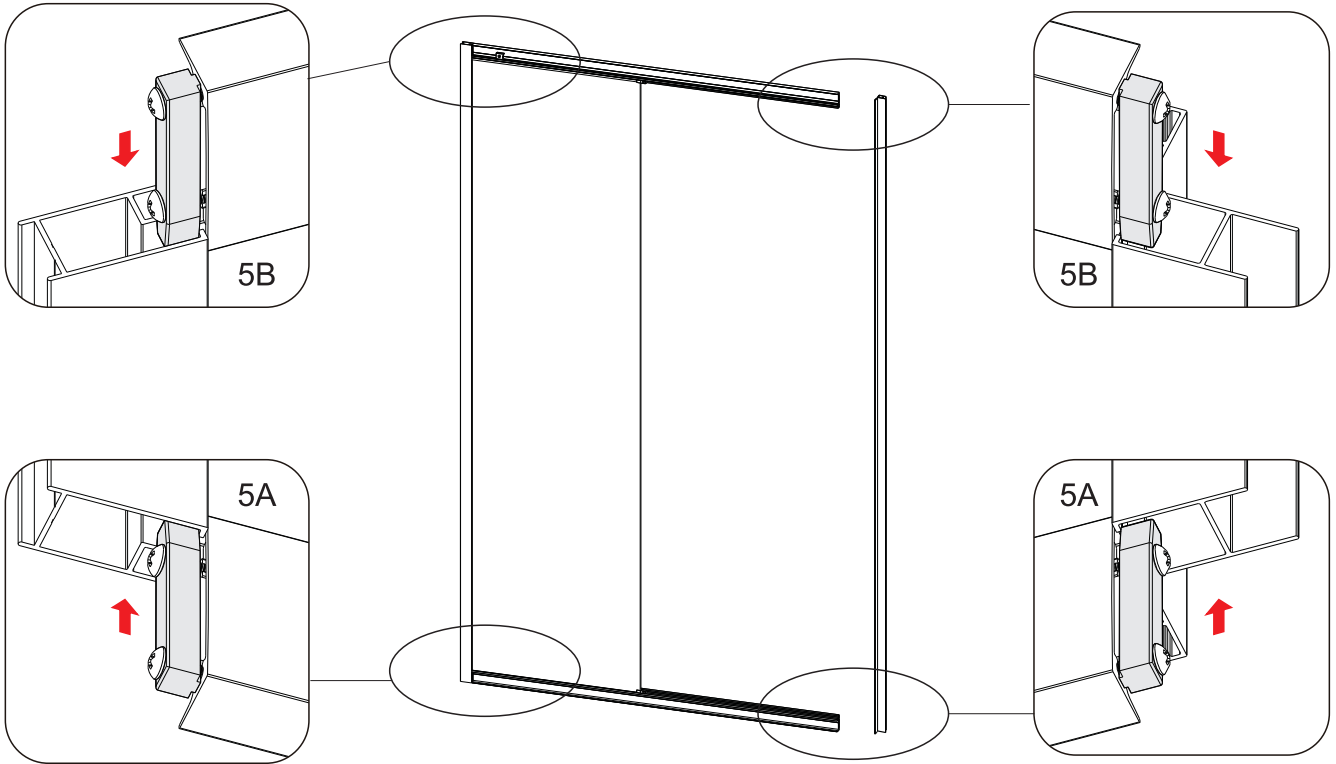


A12S0020

MB0068



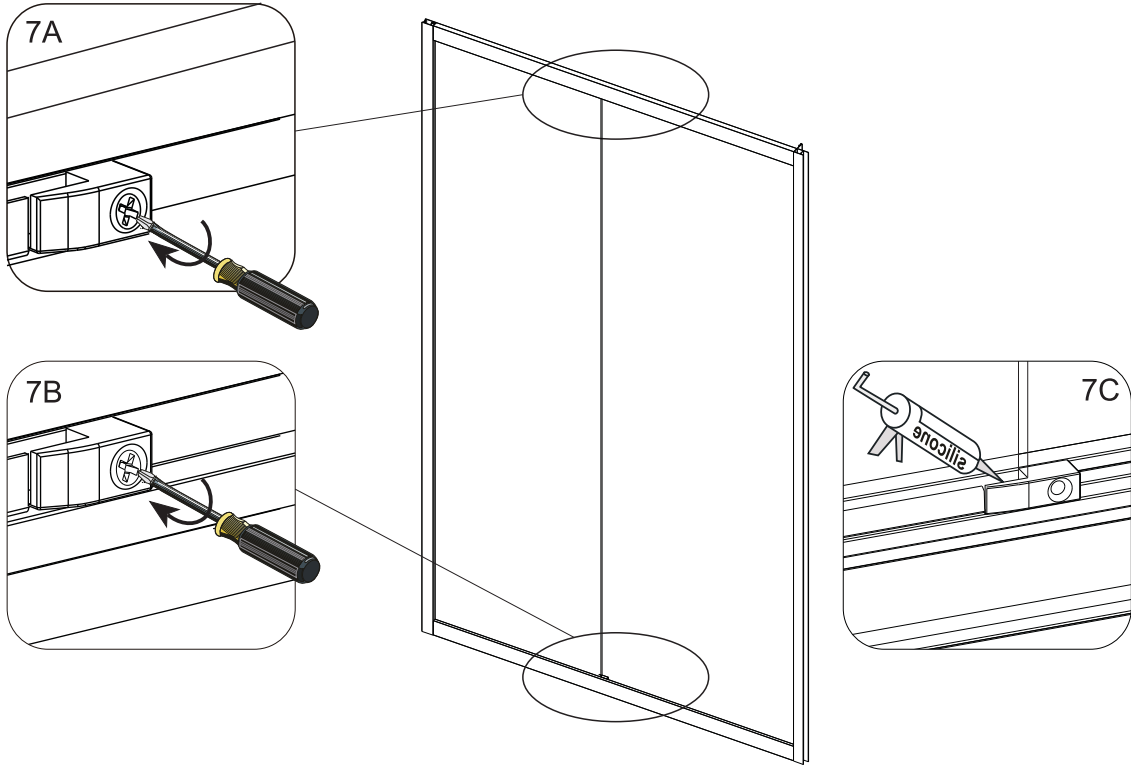
5
5A. Fit the bottom profile to the fixed panel. NOTE! Make sure the grey plastic part slots into the inside of the profile.
5B. Repeat the same process for the top profile.



Note: Do not over tighten the screws

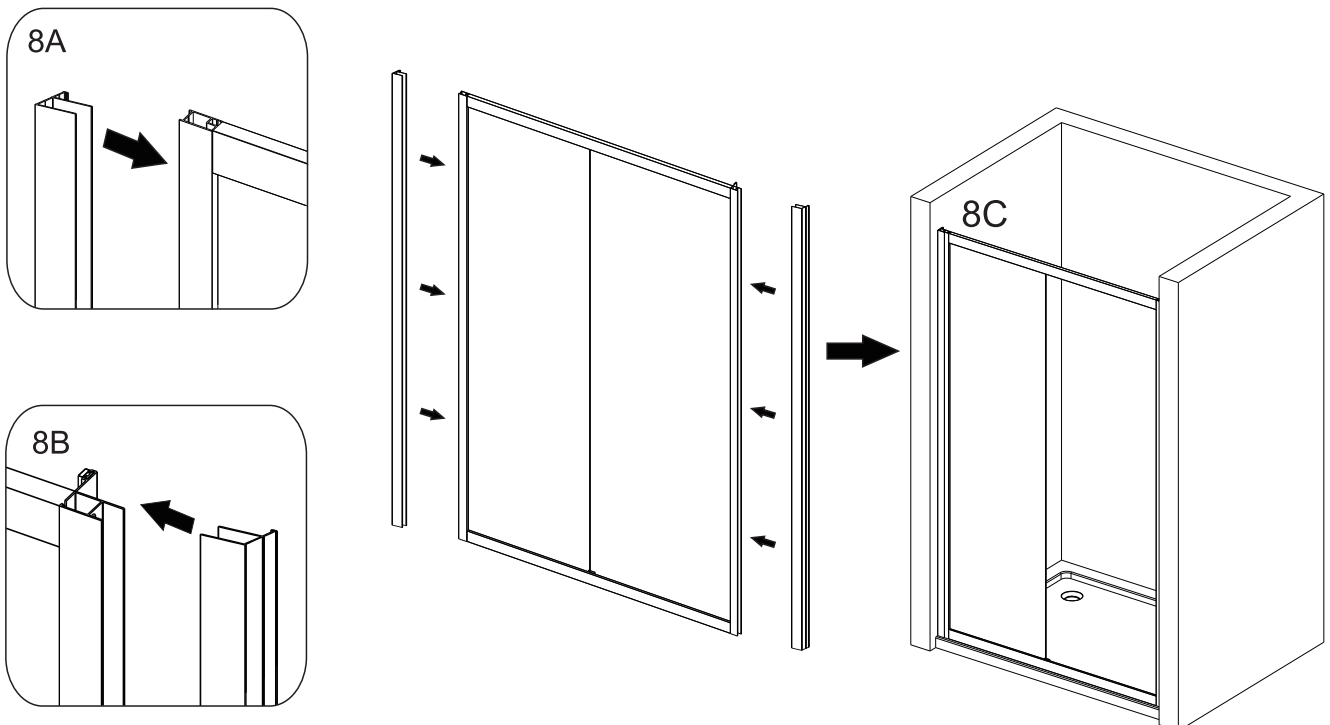
7

Tighten A12S0020 onto the fixed panel to secure the glass .
Add a dab of silicone to the join of the bottom clip and fixed glass panel 7C

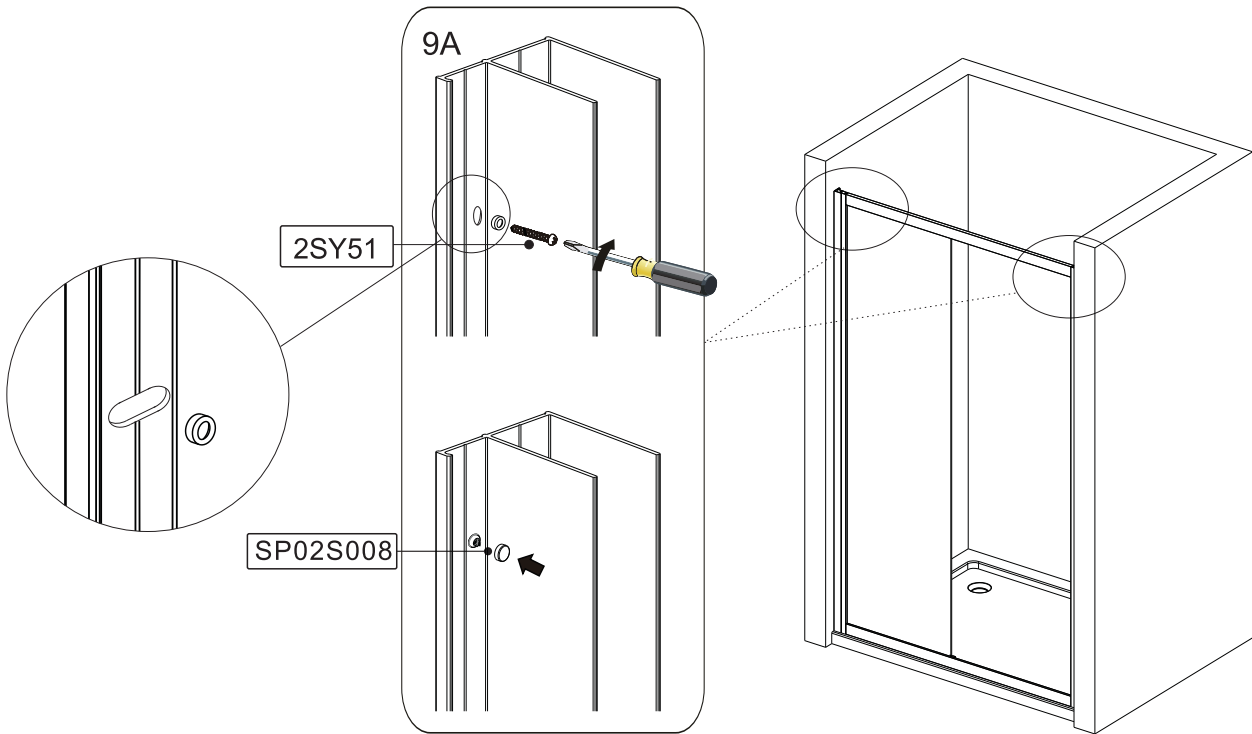


8

When fitting a fully framed product into a recess you must push the wall profiles onto the uprights. This is done as fixing the wall profiles first in a tight recess may lead to difficulty later when fitting your door.

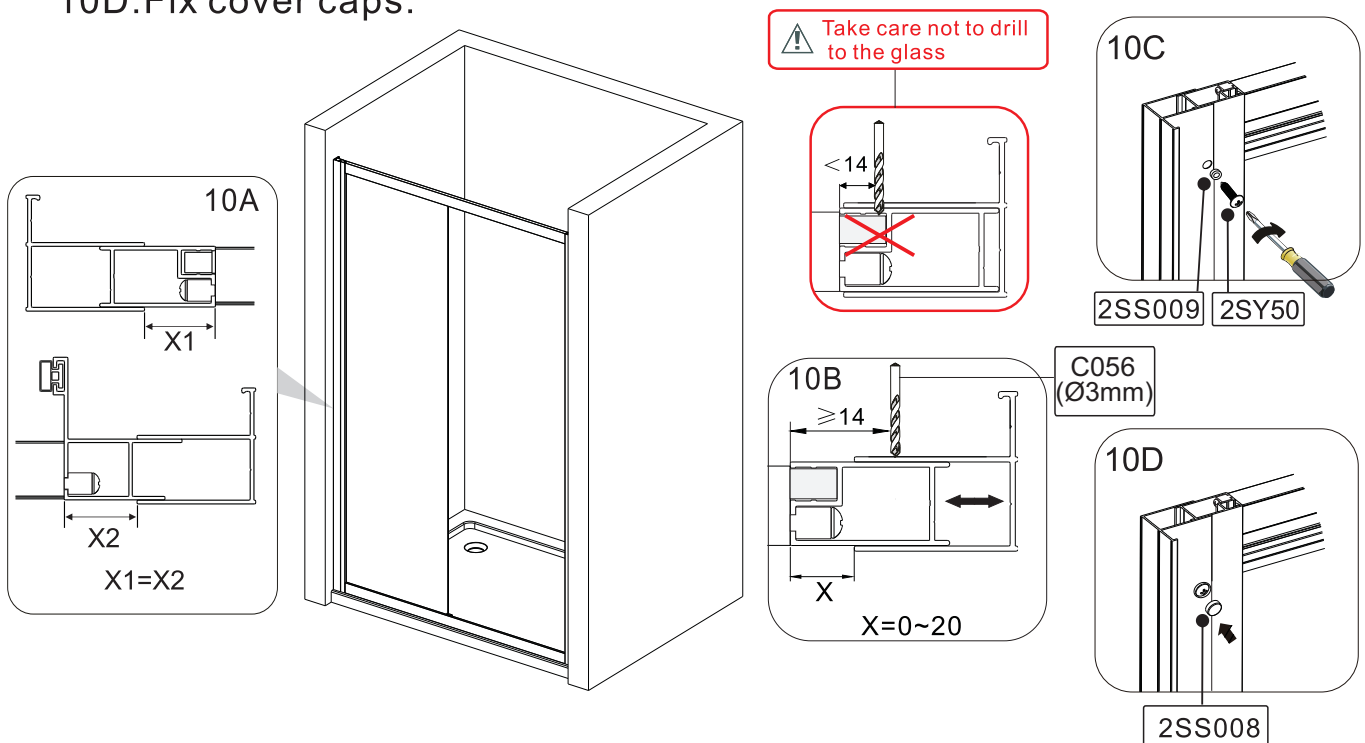


- 9 Lift the frame including wall profiles onto the tray and then fix your wall profiles to the walls using the fixing screws provided.

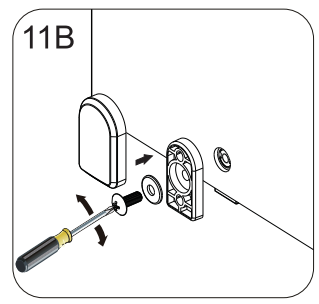
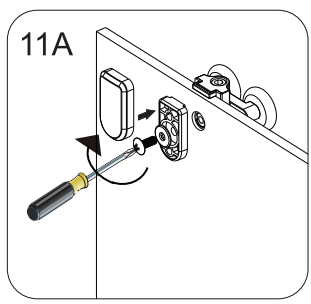
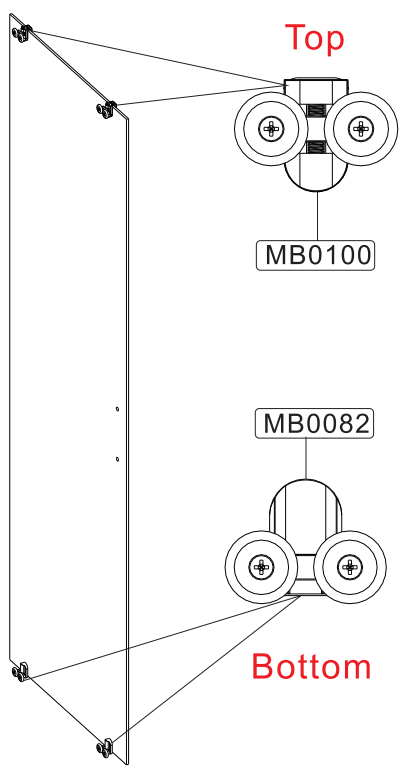


NOTE! Fix the screw through the center of the slot.
This is necessary to allow enough room either side for the screw cover caps

- 10
 10A. Equalise the adjustment of the frame in the wall profile on both sides.
 10B. From inside drill the frame top, middle and bottom making sure to step in a Min. 14mm from the edge of the frame.
 10C. Fix the frame with screws and cover clips.
 10D. Fix cover caps.

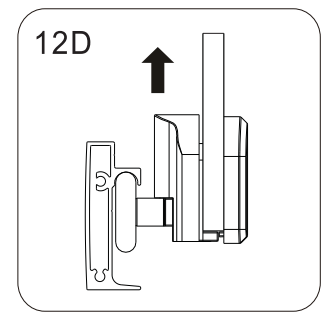
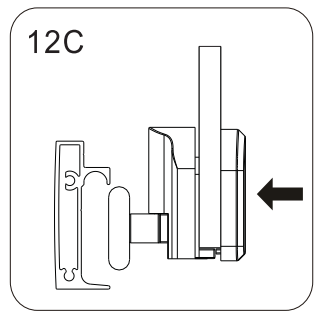
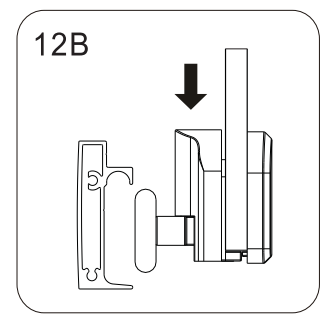
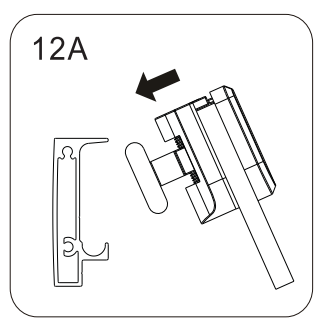
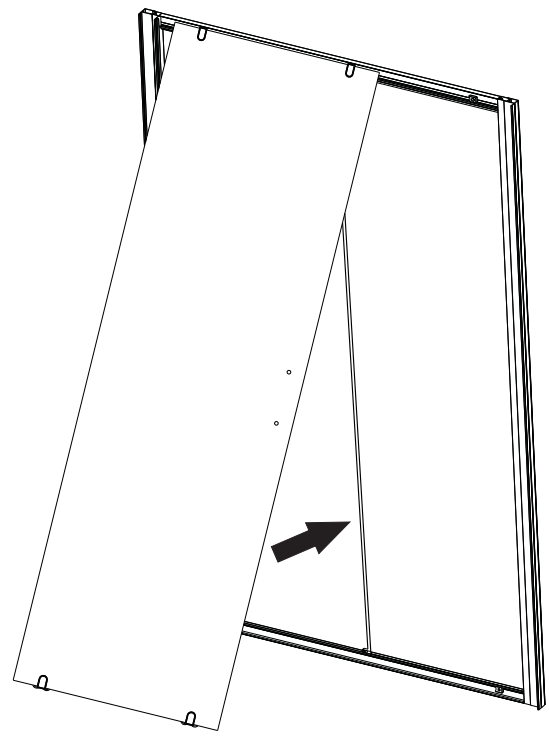


11

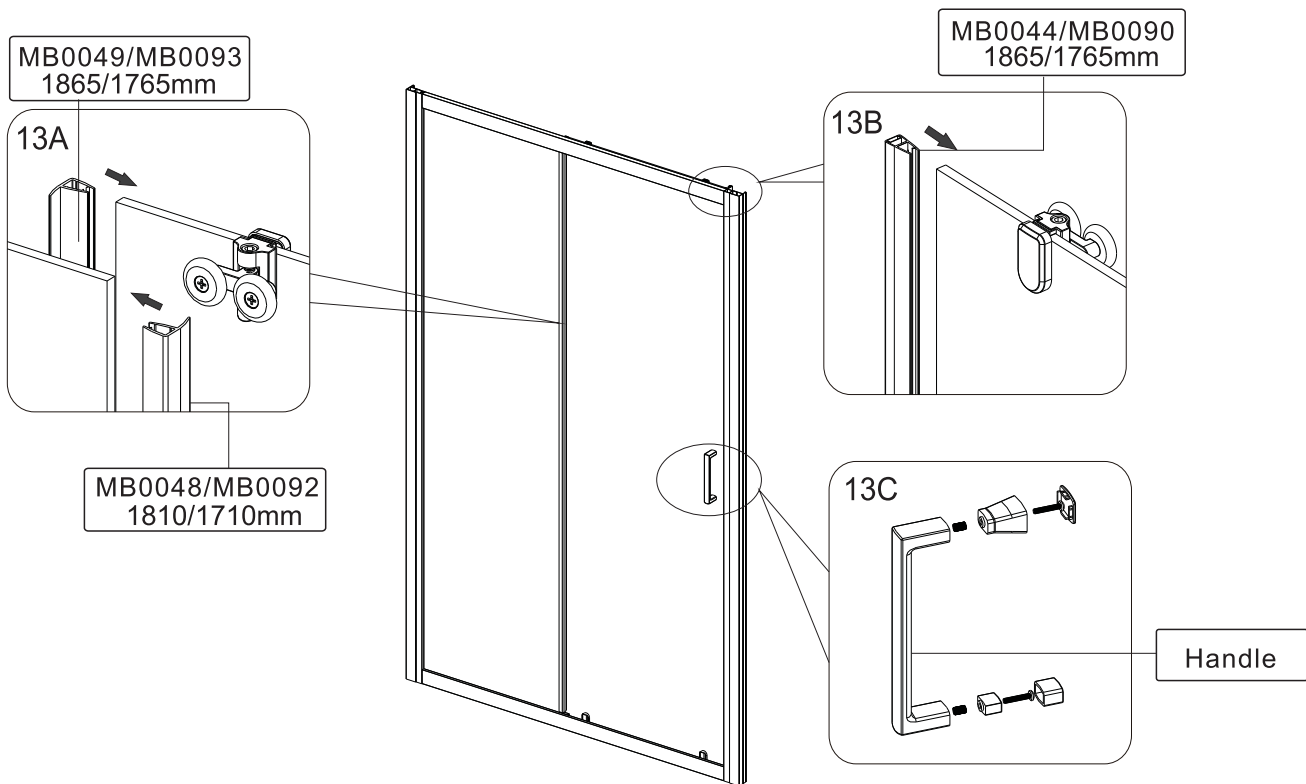


12

To fit your door panel first hang the top roller to support the weight of the glass panel. You can then leave your door panel hang making it easier to guide your easy clean roller into the bottom track.

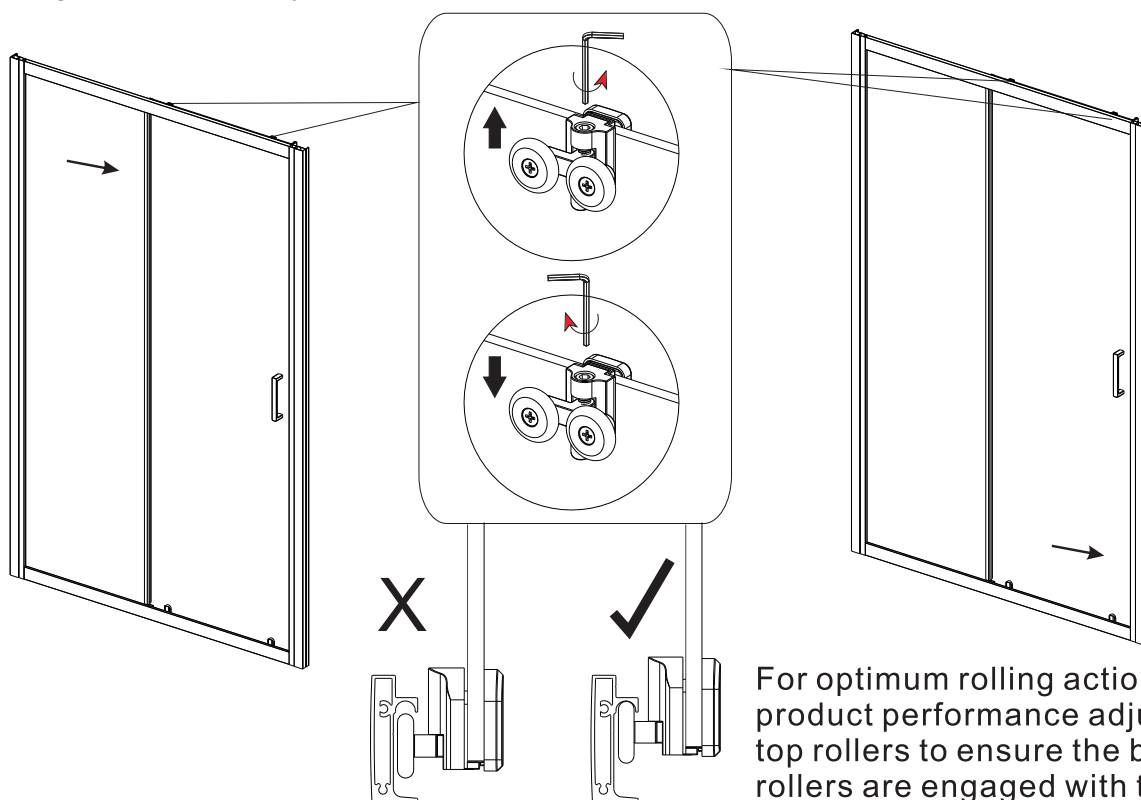


13



14

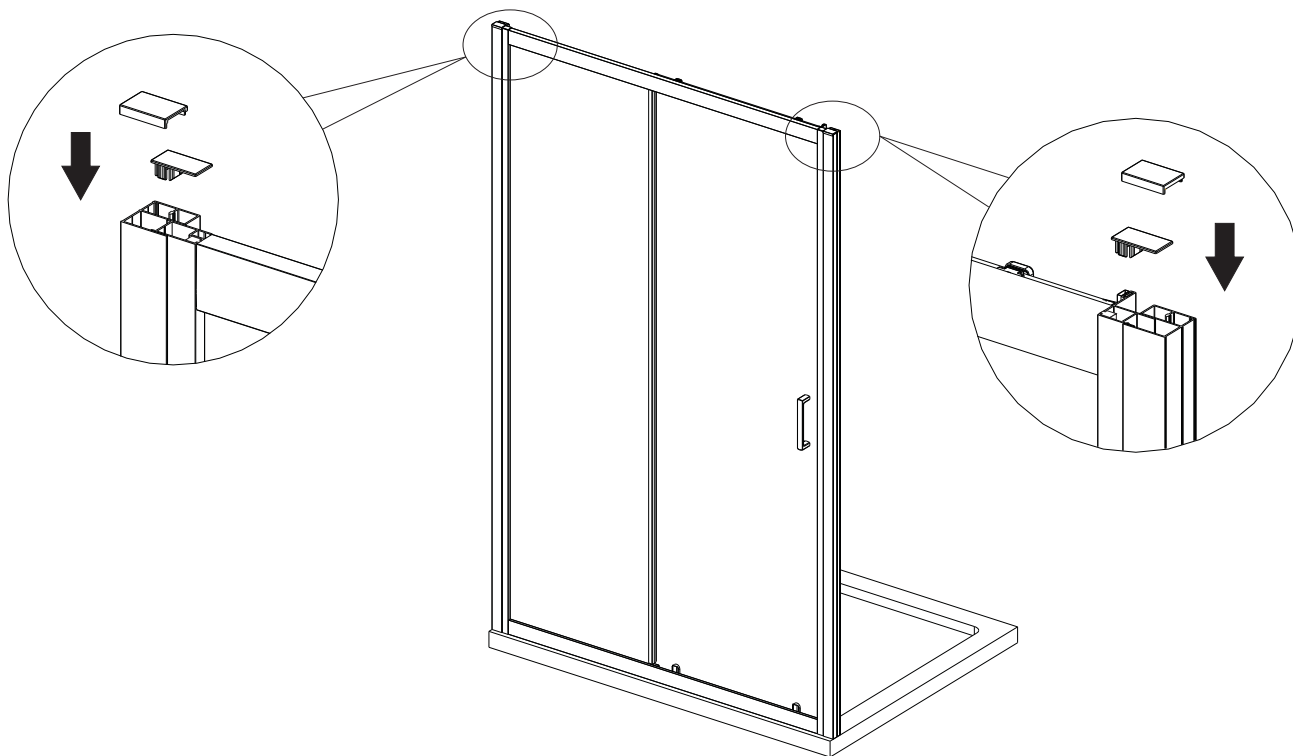
You can adjust the gaps between the door panel and the closing post by turning the allen key in the top rollers.



For optimum rolling action and product performance adjust the top rollers to ensure the bottom rollers are engaged with the sliding track.

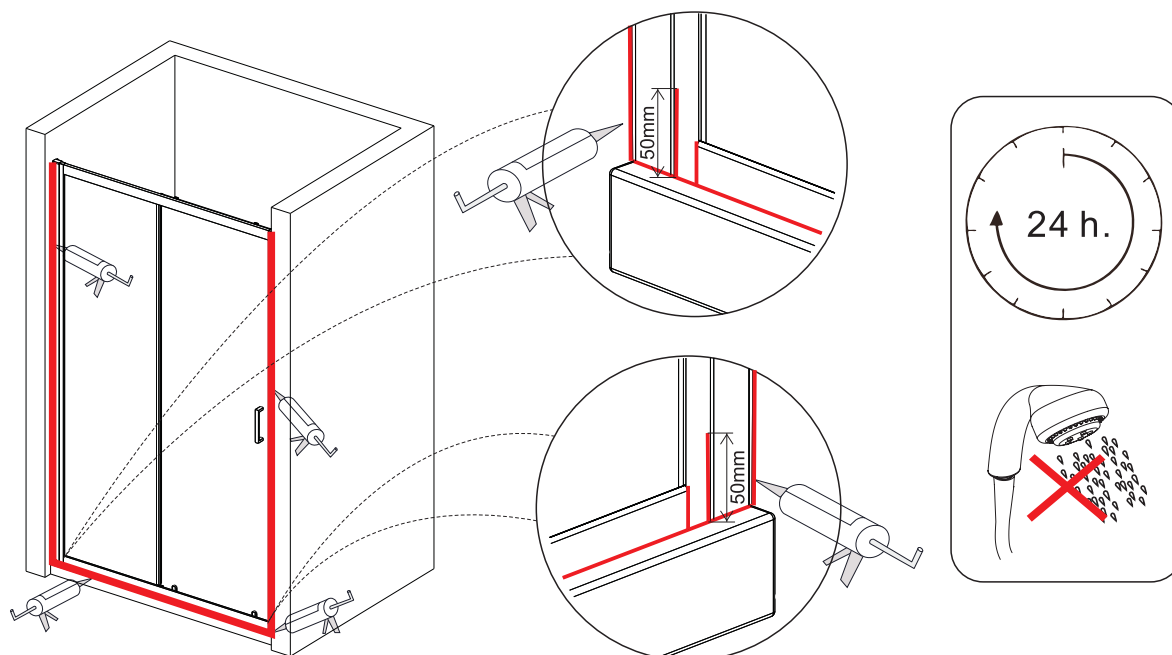
15


Fit the cover caps



16

Use a quality sealant to seal the finished door.
Seal any joints between profiles on bottom.
Seal on the outside along the bottom rail and between the wall and the wall profile.
Seal 50mm vertically between the frame and the wall profile.
DO NOT USE THE ENCLOSURE FOR 24 HOURS AFTER SEALING



	
Merlyn Industries LTD (MER09)	
DOP:CENMB1.1	
16	
EN 14428	
Shower enclosures with aluminium profiles and safety glass	
Cleanability	:Pass
Impact resistance/ shatter properties	:Pass
Durability	:Pass

To download the Declaration of Performance (DOP) for this product please use the link below.
<https://merlynshowering.com/wp-content/uploads/2016/11/New-MBox-Enclosures-DOP-CENMB1.1.pdf>