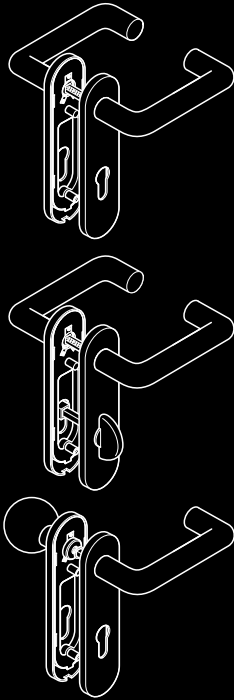


Garnituren mit Schildern
R-Technik Kunststoff
Door fitting with backplates
R-Technology synthetic material

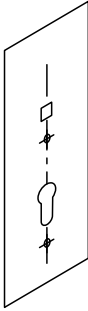
HEWI



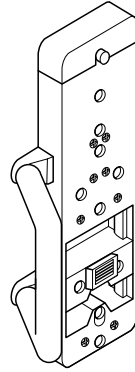
Ⓓ Montageanleitung

ⒼⒷ Installation instructions

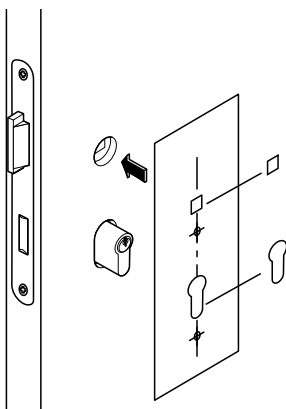
a



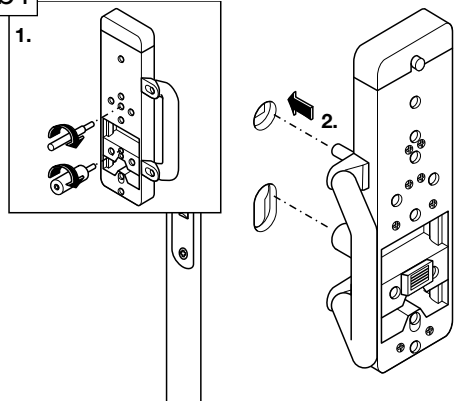
b



a1

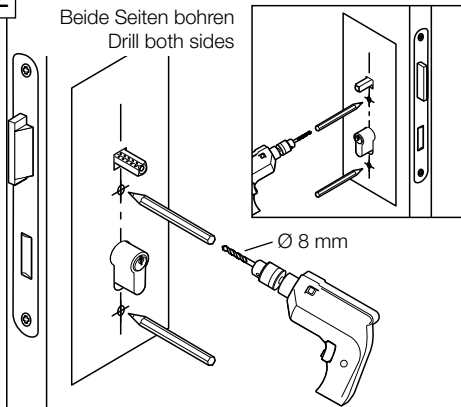


b1



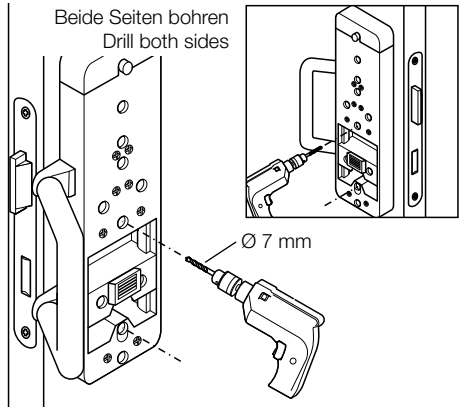
a2

Beide Seiten bohren
Drill both sides

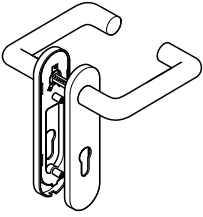


b2

Beide Seiten bohren
Drill both sides

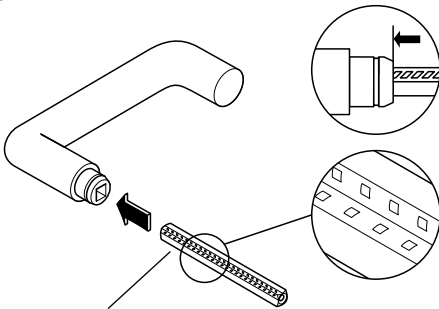


Montage Zimmergarnitur
Mounting standard door fitting



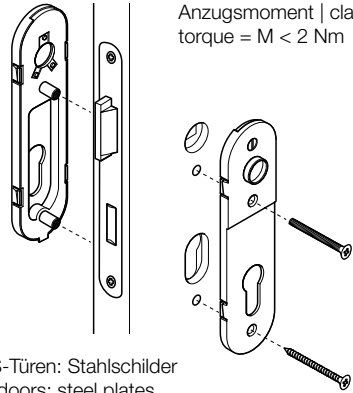
Typ
A **Montage | Mounting**
Zimmergarnitur
standard door fitting

1



Ø 8 mm
F FS-Türen: Ø 9 mm
F-doors: Ø 9 mm

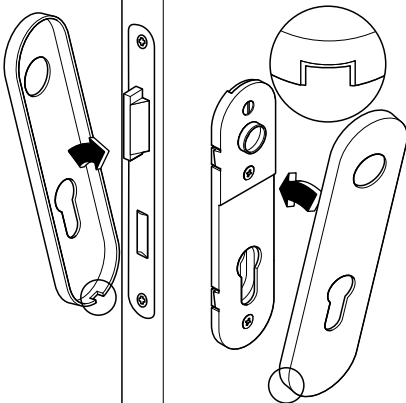
2



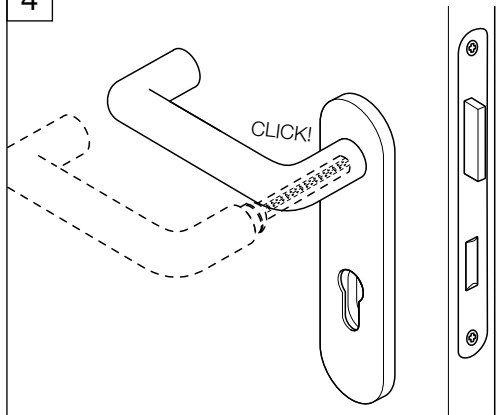
Anzugsmoment | clamping torque = $M < 2 \text{ Nm}$

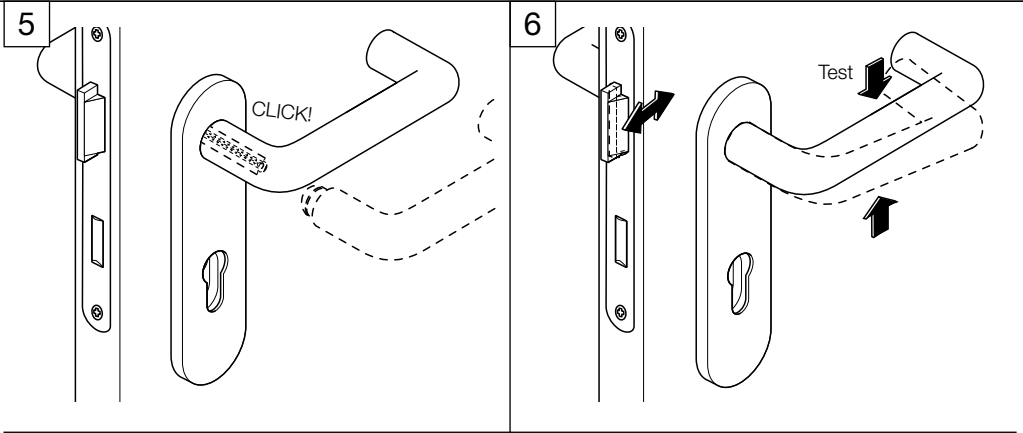
F FS-Türen: Stahlschilder
F-doors: steel plates

3

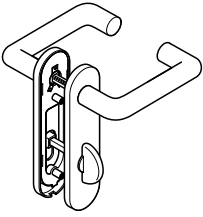


4



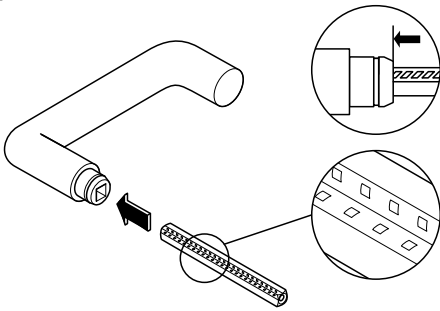


Montage Frei-Besetzt-Garnitur
Mounting vacant/engaged fitting

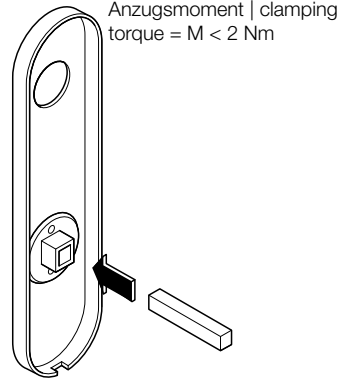


Typ
B **Montage | Mounting**
Frei-Besetzt-Garnitur
vacant/engaged fitting

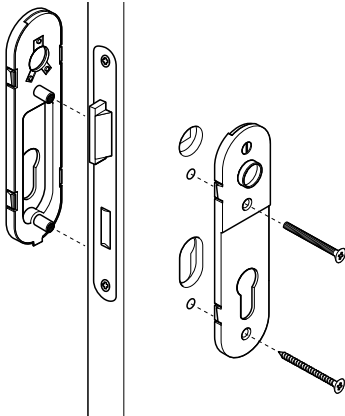
1



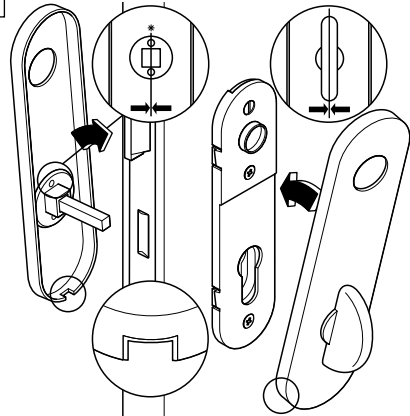
2



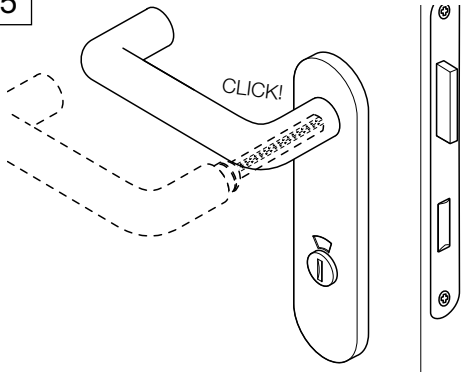
3



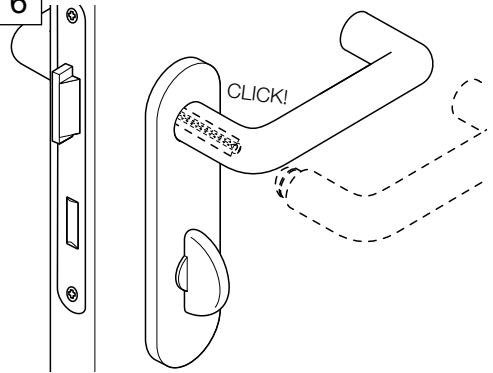
4



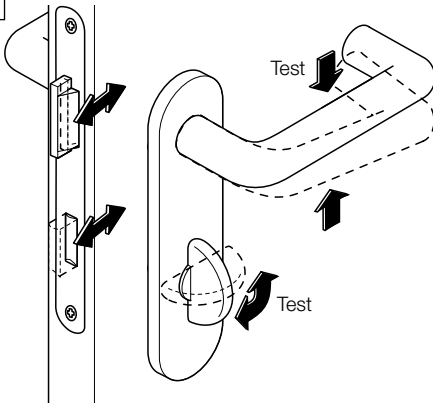
5



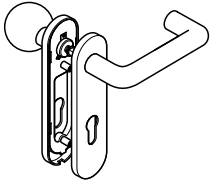
6



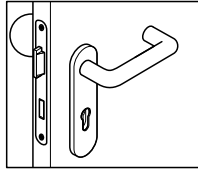
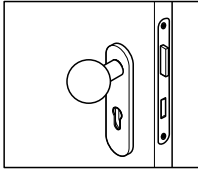
7



Montage Wechselgarnitur
Mounting apartment door fitting



Typ
C **Montage | Mounting**
 Wechselgarnitur
 apartment door fitting



1

$\varnothing 8 \text{ mm}$
F FS-Türen: $\varnothing 9 \text{ mm}$
 F-doors: $\varnothing 9 \text{ mm}$

$x \sim 1 \text{ mm} | x|$

2

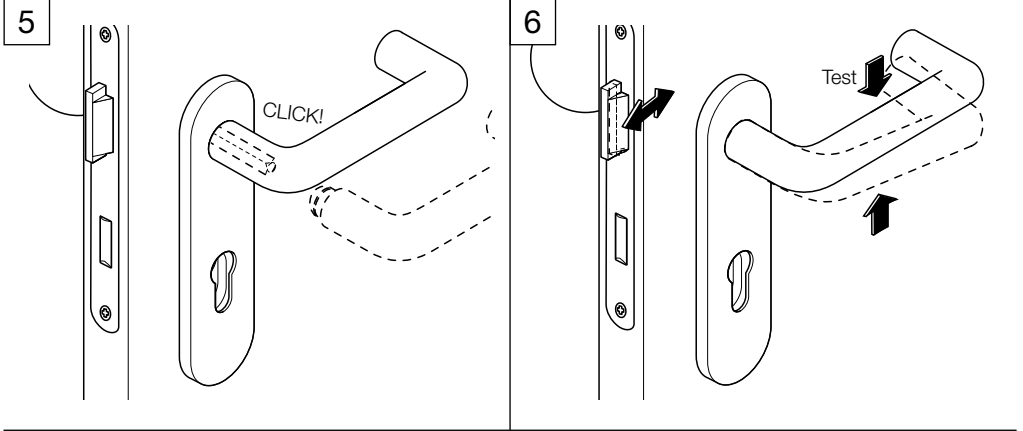
Anzugsmoment | clamping torque = $M < 2 \text{ Nm}$

F FS-Türen: Stahlschilder
 F-doors: steel plates

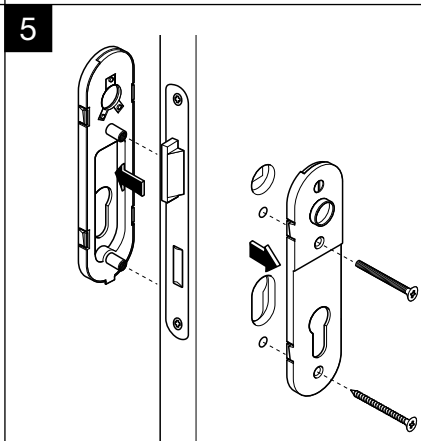
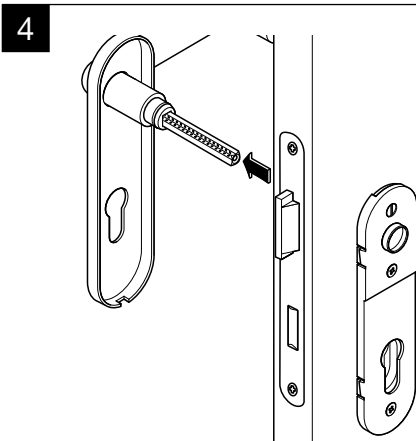
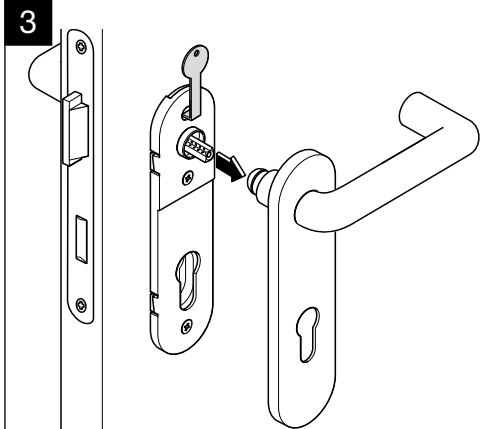
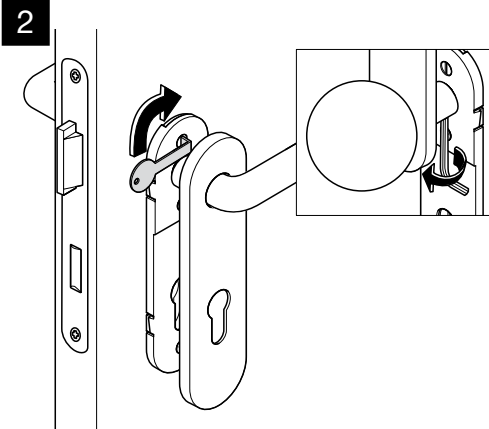
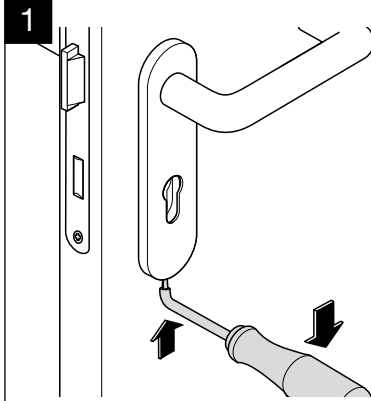
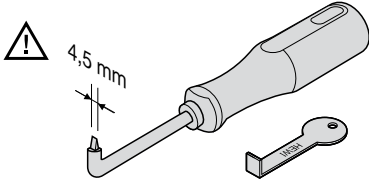
3

4

CLICK!



Demontage
Demounting



HEWI

www.hewi.com

Deutschland

HEWI Heinrich Wilke GmbH

Postfach 1260

D-34442 Bad Arolsen

Telefon: +49 5691 82-0

Telefax: +49 5691 82-319

info@hewi.de

www.hewi.de