

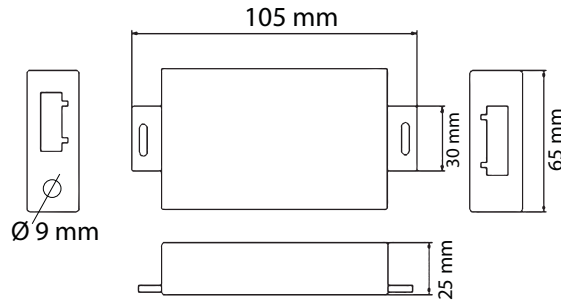
# RGB AMPLIFIER

Product&amp;Family Code: 101 001 0144

**AMPLIFIER-12A**


Technical Data	
Input Voltage (V)	DC 12V-24V
Output Voltage (V)	DC 12V-24V
Output Power (W)	144W
Output Current	4A / Each Color
50x50 RGB LED Strips	10 Meters whit 60 LEDS / Meter
35x28 RGB LED Strips	30 Meters whit 60 LEDS / Meter
Protection Class	III
IP Rating	33

## Technical Drawing



## Application

- RGB Amplifier used for all RGB LED controllers.
- RGB Amplifier applies to all the voltage-controlled LED controller in our company, it can receives PWM (Power Width Modulation), each time add one RGB amplifier, the connecting number of LED will be more than twice, in theory, numerous RGB amplifiers can be connected.

