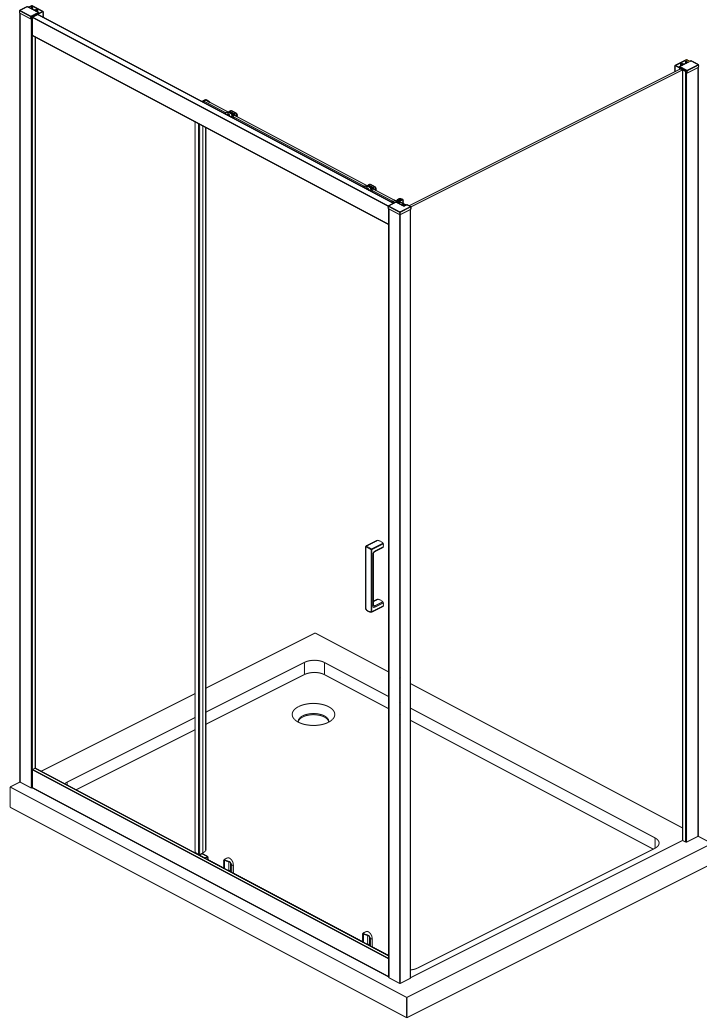


SIDE PANEL



INSTALLATION GUIDE

IMPORTANT:Please read the complete instructions before commencing fitting.

Make sure the tray is 100% level in all directions.

Check that you have the tools required.

Check the installation site is compatible with the size of door supplied.

Check all the enclosure components are present.

Check the installation kit is complete.

Do Not attempt to install the product unless you can tick all 4 boxes.

The wall plugs supplied with the installation kit are for use in solid walls. Hollow or 'stud partition' walls will require alternative fixings. Please consult a hardware supplier for the correct type. It may also be necessary to consult your tiling supplier about the correct method for drilling your tiles.

ATTENTION:TAKE EXTREME CARE WHEN HANDLING GLASS,WEAR PROTECTIVE EYEWEAR AND CLOTHING.DO NOT LEAVE THE GLASS ON HARD SURFACES AND AVOID CONTACT BETWEEN THE GLASS EDGES AND HARD SURFACES OR IMPACTS DURING THE INSTALLATION.

Fixing kit components



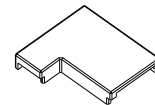
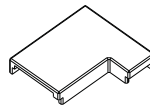
x3
2SS008



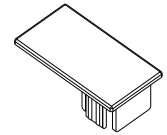
x3
2SS009



x3
2SY50

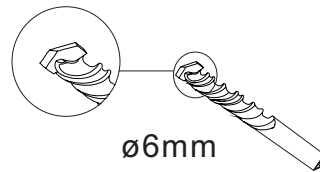
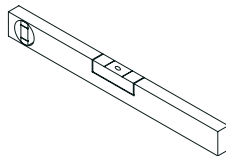
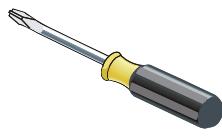
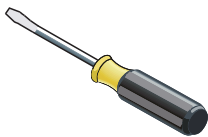
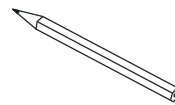
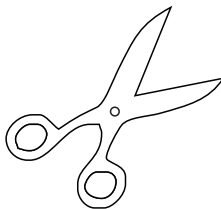
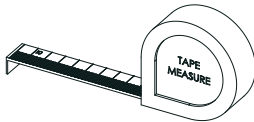


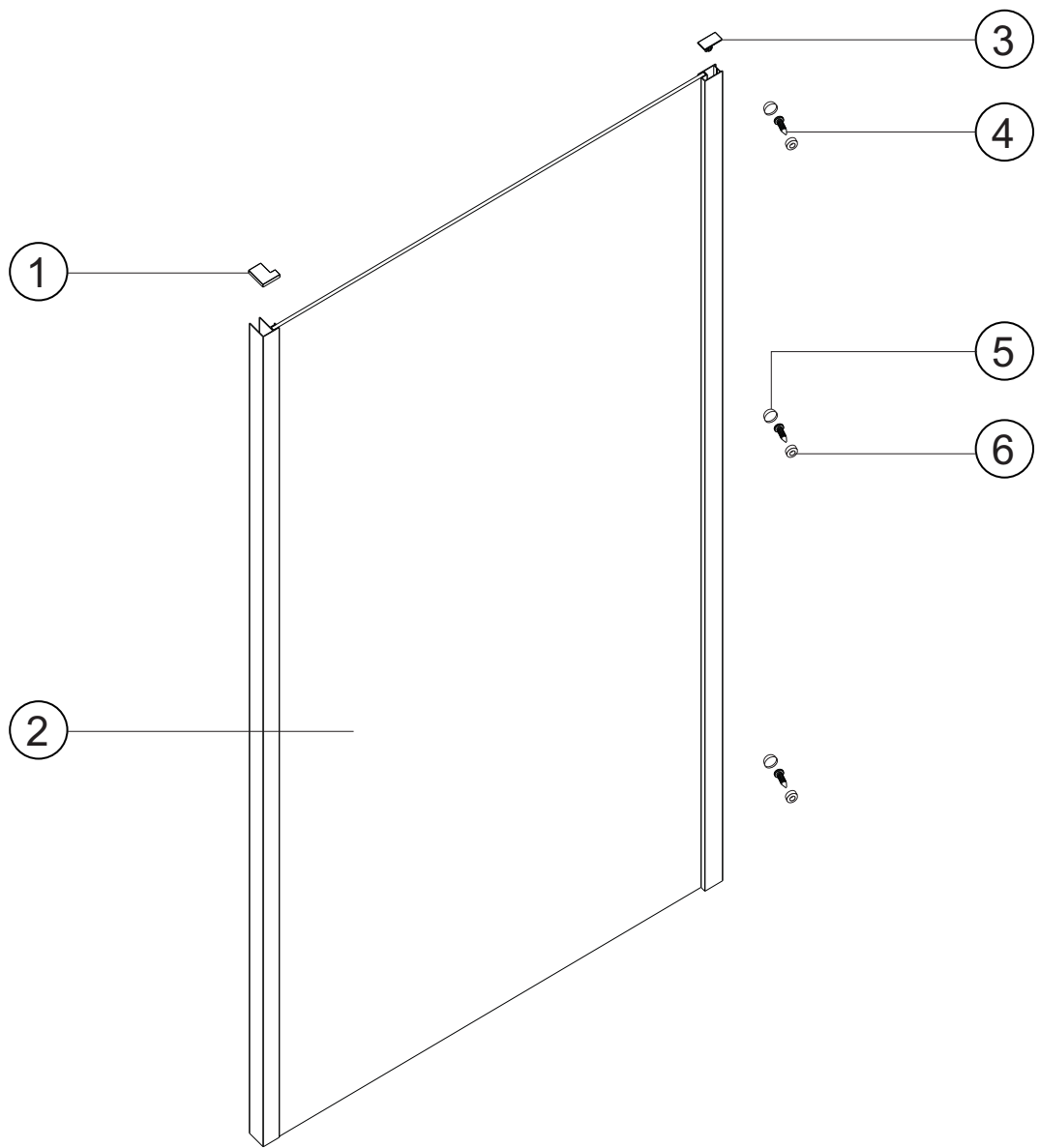
x2
MB0078/MB0079



x1
MB0075

Tools required

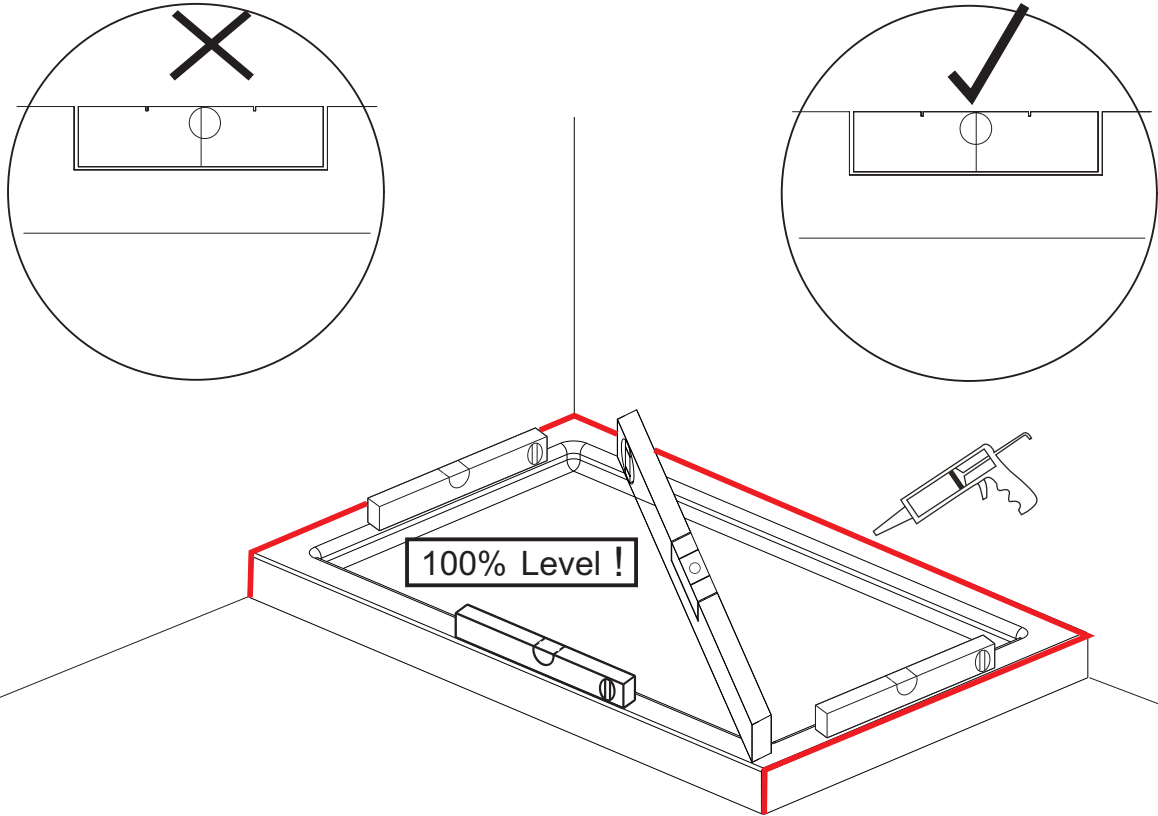




No.	Qty	Part No.
1	2	MB0078/MB0079
2	1	A
3	1	MB0075
4	3	2SY50
5	3	2SS008
6	3	2SS009

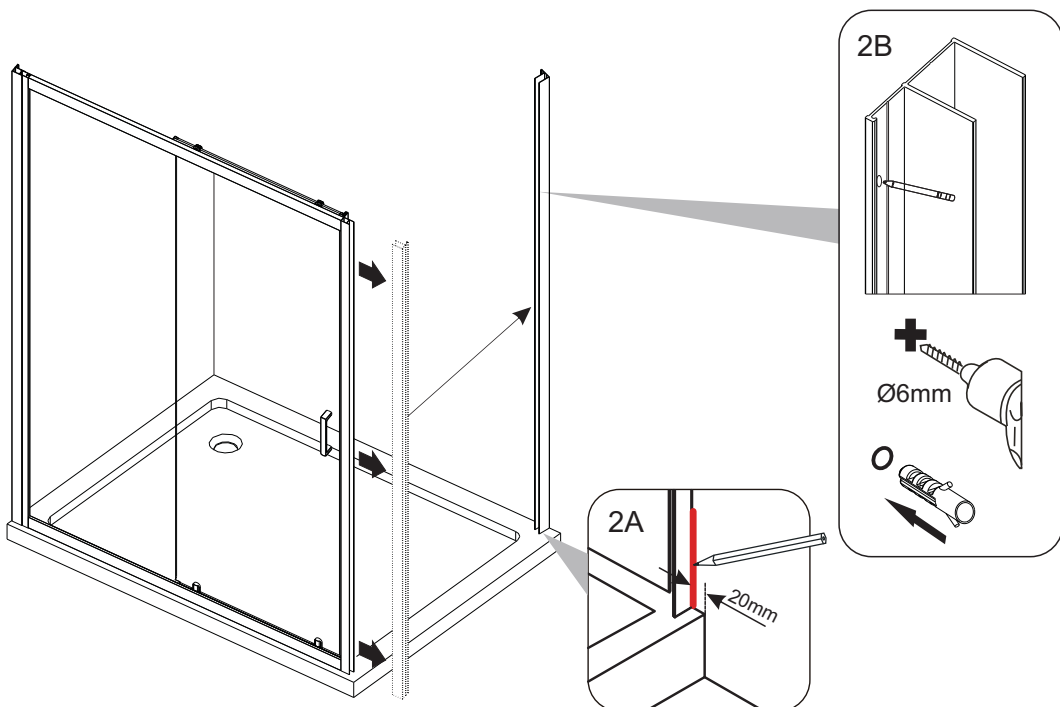
1

Please ensure your tray is 100% level in all directions before fitting your enclosure.



2

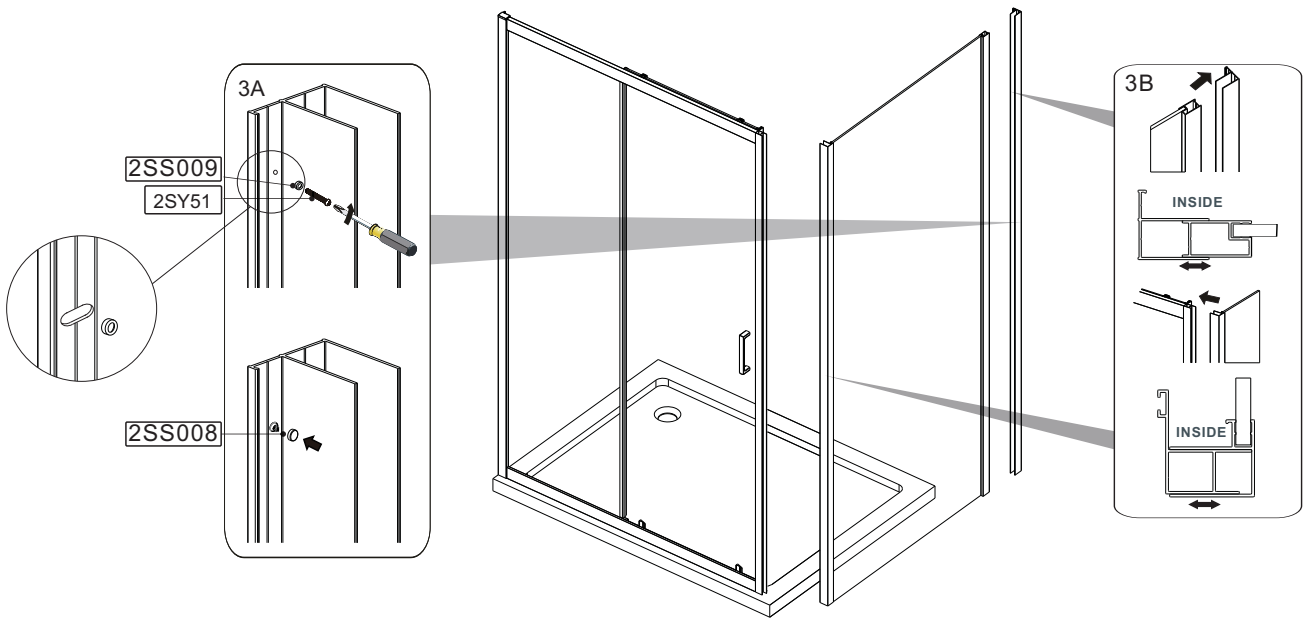
Determine your step in from the edge of the tray. 20mm is recommended. Plumb your wall profiles on each side then mark and drill your fixing positions. You can then remove your wall profiles and begin the frame assembly off the tray.



Use wall profile from door

3

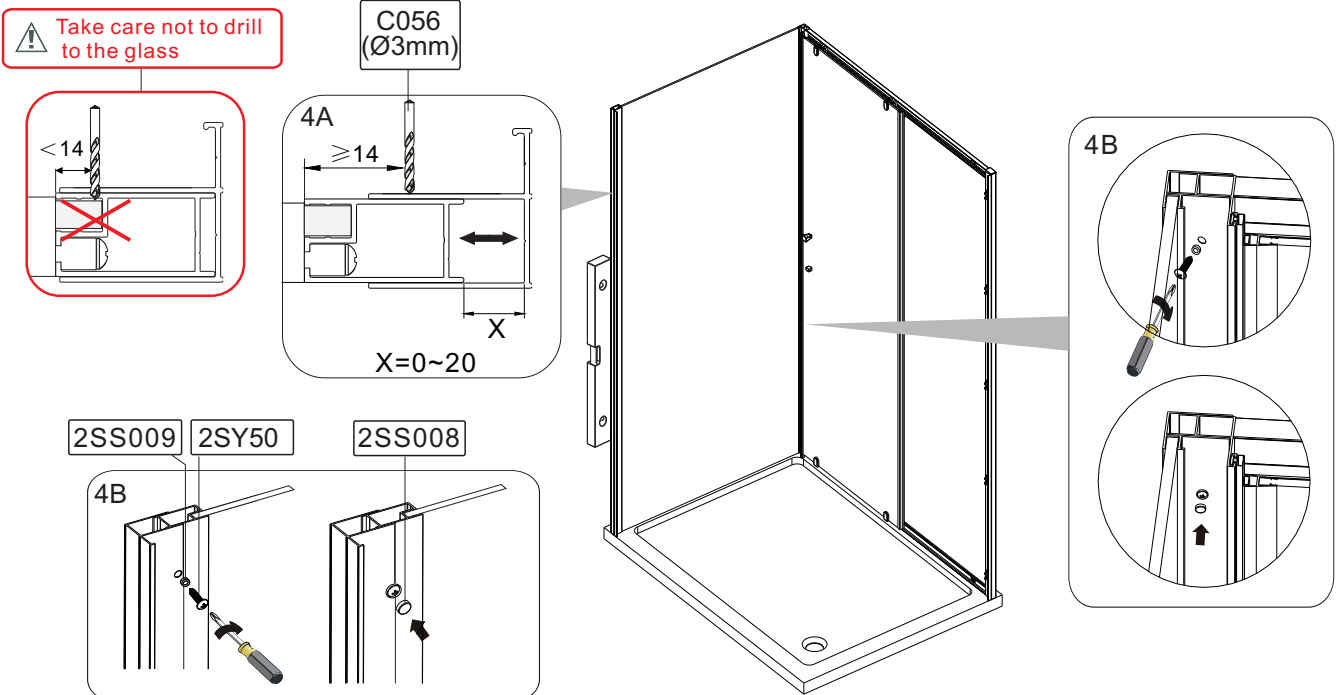
After your wall profiles have been fixed you can square your side panel on the tray and fit the wall profiles to the upright profiles as shown below.



NOTE! Fix the screw through the center of the slot. This is necessary to allow enough room either side for the screw cover caps

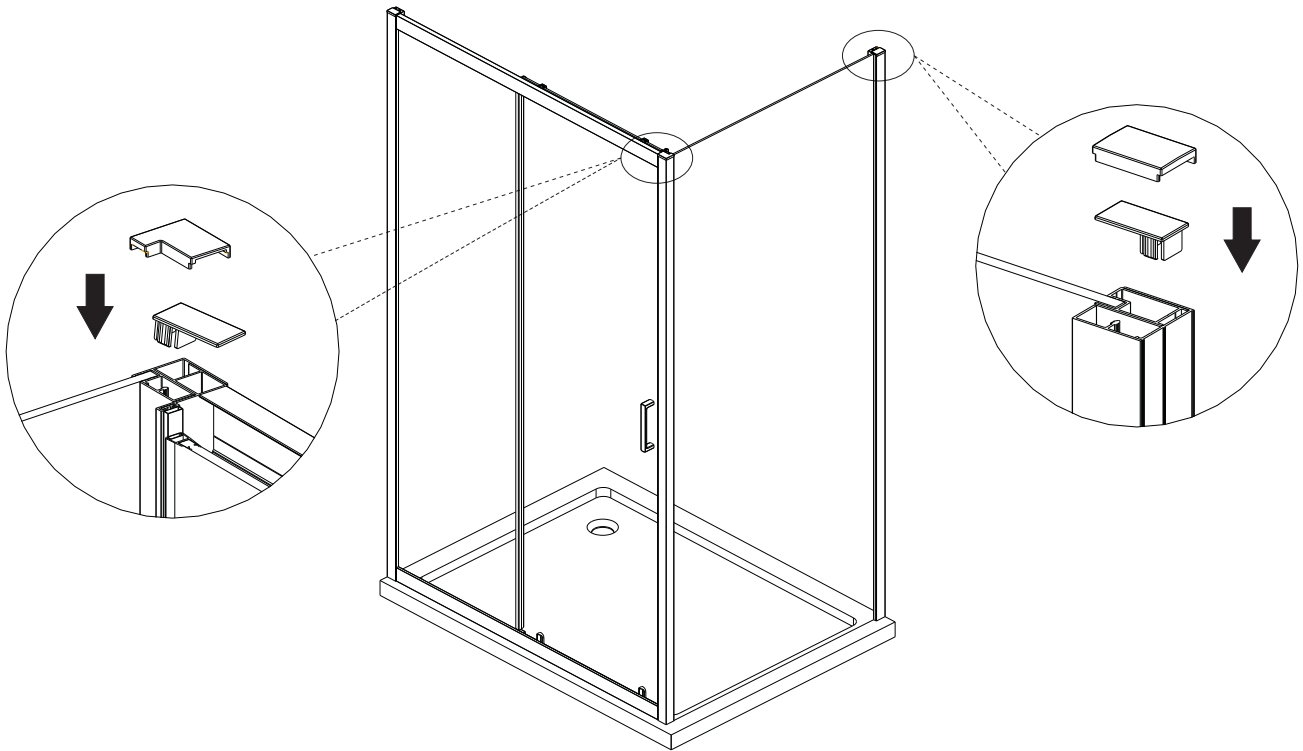
4

4A From inside drill the frame top, middle and bottom of the wall profile and corner post making sure to step in a Min. 14mm from the edge of the frame.
4B Fix the frame with screws and cover clips, then fit the cover caps.



5

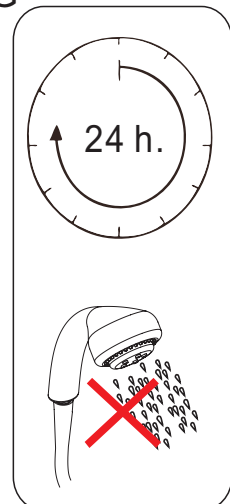
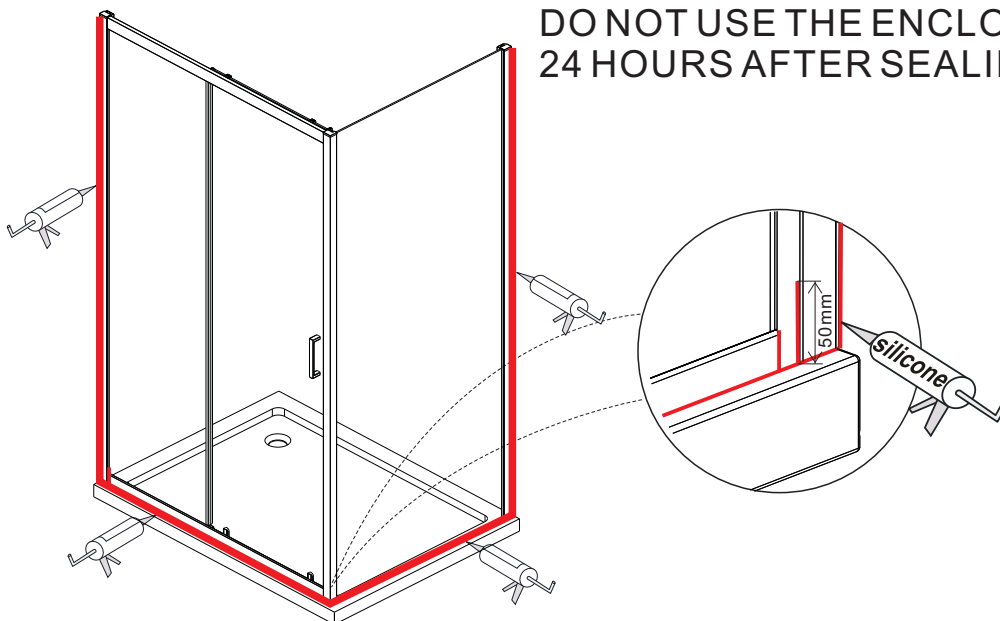
Fit the top cover caps




6

Use a quality sealant to seal the finished door. Seal any joints between profiles on bottom. Seal on the outside along the bottom rail and between the wall and the wall profile. Seal 50mm vertically between the frame and the wall profile.

DO NOT USE THE ENCLOSURE FOR 24 HOURS AFTER SEALING



	
Merlyn Industries LTD (MER09)	
DOP:CENMB1.1	
16	
EN 14428	
Shower enclosures with aluminium profiles and safety glass	
Cleanability	:Pass
Impact resistance/ shatter properties	:Pass
Durability	:Pass

To download the Declaration of Performance (DOP) for this product please use the link below.
<https://merlynshowering.com/wp-content/uploads/2016/11/New-MBox-Enclosures-DOP-CENMB1.1.pdf>