

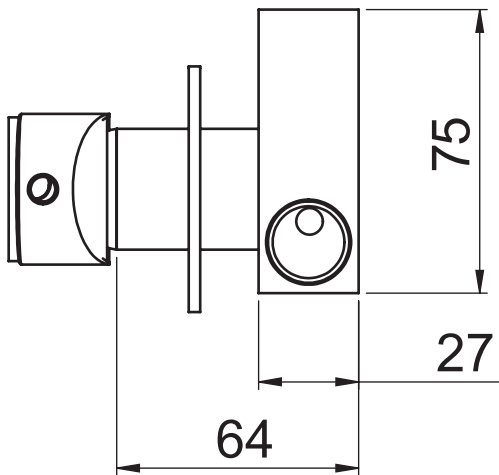
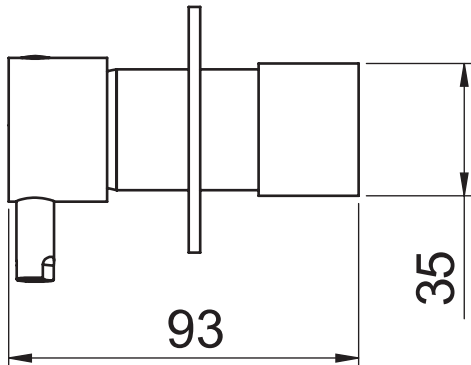


DANIEL

SCHEDA TECNICA TECHNICAL FEATURES

ART. COD.

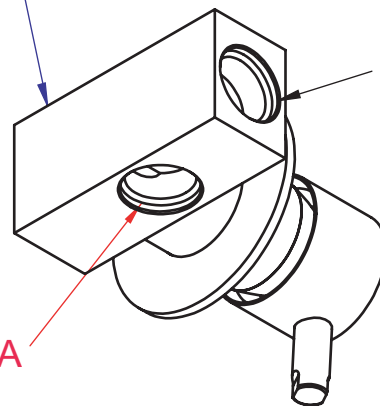
S20646



ACQUA FREDDA
COLD WATER

USCITA
ACQUA
MISCELATA
MIXED
WATER
OUTLET

ACQUA CALDA
HOT WATER



MATERIALI / MATERIALS

OTTONE CROMATO / CHROME PLATED BRASS

CROMATURA / CHROME PLATING

UNI EN 248