

Features

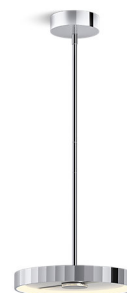
- Suitable for any living space, allowing you to create a cohesive design aesthetic throughout your home.
- Dimmable, integrated LED emits a beautiful light at the perfect color temperature.
- Downrods offer additional height options.
- Suitable for damp locations, per UL 1598.

Material

- Manufactured with quality materials and complimented with a meticulous finishing process.
- Durable finishes engineered to last and designed to match KOHLER faucet finishes.

Included Components

Additional Components:
Hardware kit



Codes/Standards

California Energy Commission (CEC)
UL 1598
CSA C22.2 No. 250
CA Title 24 JA8

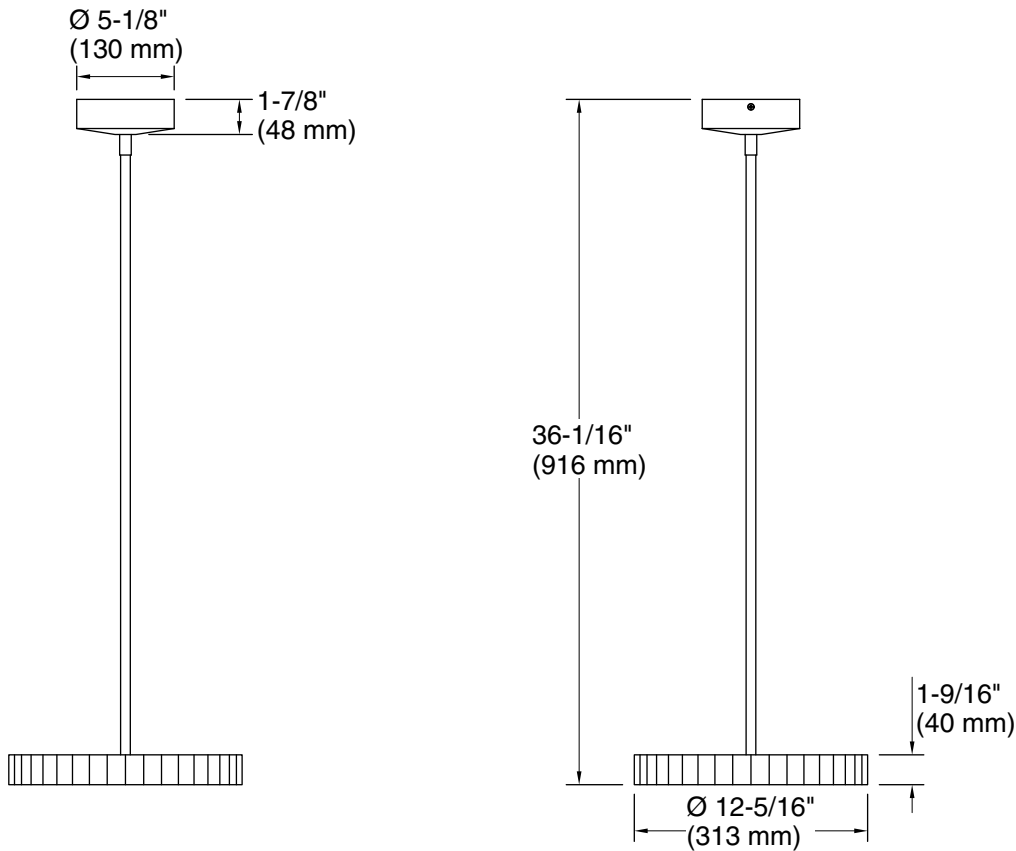
KOHLER® Lighting Limited Warranty

See website for detailed warranty information.

Available Colors/Finishes

Color tiles intended for reference only.

| Color | Code | Description |
|--|------|----------------------|
|  | SNL | Polished Nickel |
|  | BGL | Moderne Brushed Gold |
|  | CPL | Polished Chrome |
|  | BLL | Matte Black |



Required Electrical Service

One dedicated circuit required.

Lights: 120 V, 60 Hz

Technical Information

All product dimensions are nominal.

Material: Steel, Glass

Number of Lights: 2

Lighting Type: Integrated LED

Number of Shades: 1

Shade Type: Glass - etched

Hanging Type: Downrod

Downrod Detail: 2 x 9" (229 mm)

Electrical component rating: LED: 60 Hz, 30 W, 1800 Lumens, 3000K