



Shower arm with 2-way diverter K-76331

Features

- Diverter switches water between showerhead and handshower.
- 1/2" NPT connection.
- For use with KOHLER showerheads and handshowers (sold separately).

Material

- Premium metal construction for durability and reliability.
- KOHLER finishes resist corrosion and tarnishing.

Installation

- Wall-mount.

Recommended Products/Accessories

- K-30646 shower filter
- K-30647 shower filter replacement
- K-76334 Shower Arm Trim, Traditional
- K-76335 Shower Arm Trim, Square

Included Components

- Additional Components:
Flange



Codes/Standards




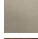

ASME A112.18.1/CSA B125.1

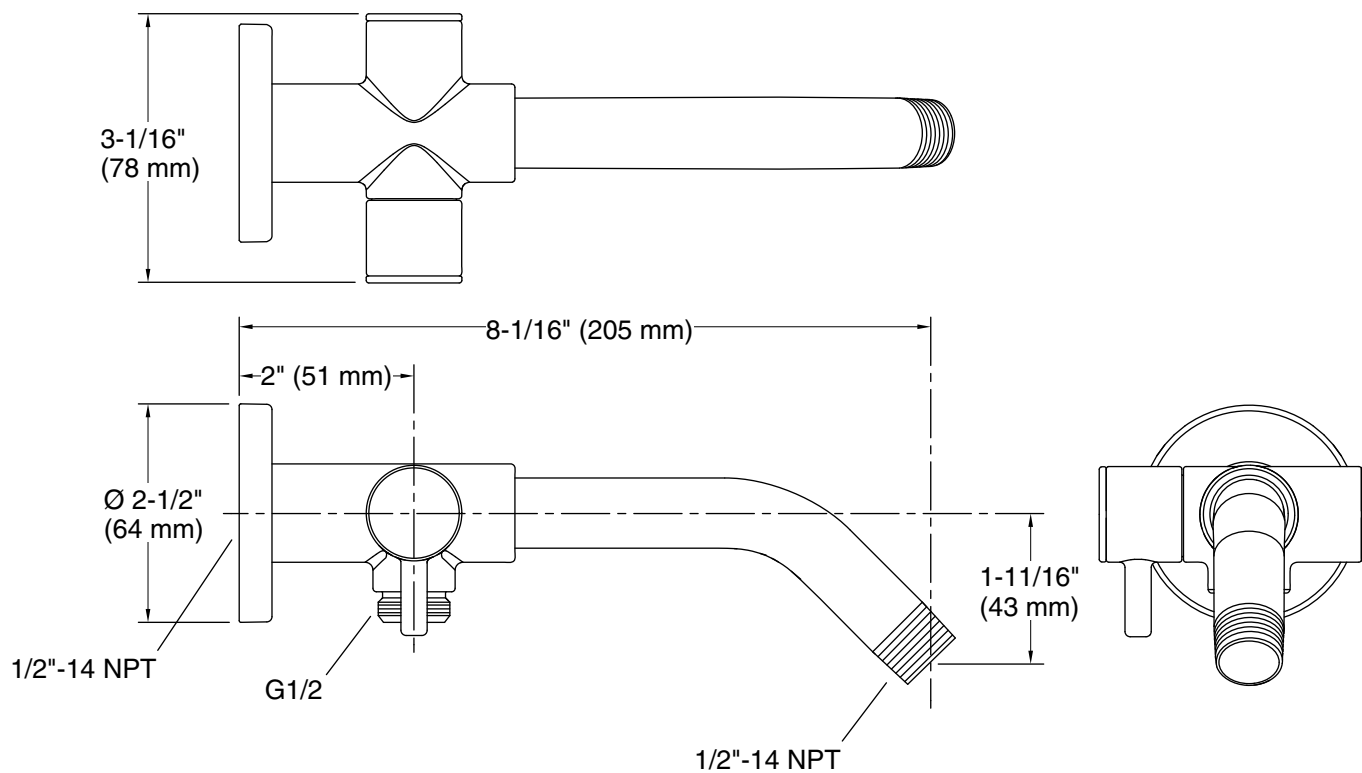
KOHLER® Faucet Lifetime Limited Warranty

See website for detailed warranty information.

Available Colors/Finishes

Color tiles intended for reference only.

Color	Code	Description
	CP	Polished Chrome
	SN	Vibrant® Polished Nickel
	BN	Vibrant® Brushed Nickel
	BV	Vibrant® Brushed Bronze
	2BZ	Oil-Rubbed Bronze



Technical Information

All product dimensions are nominal.
Material: Brass/Plastic

Notes

Install this product according to the installation guide.