

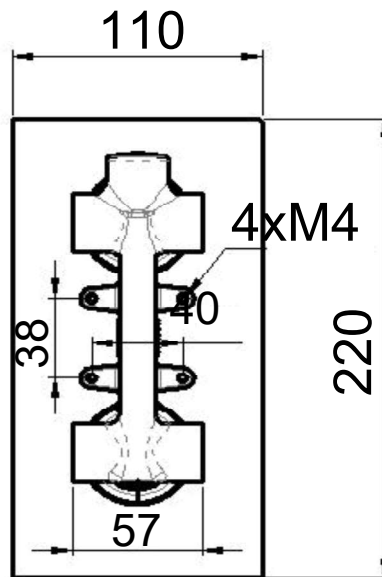
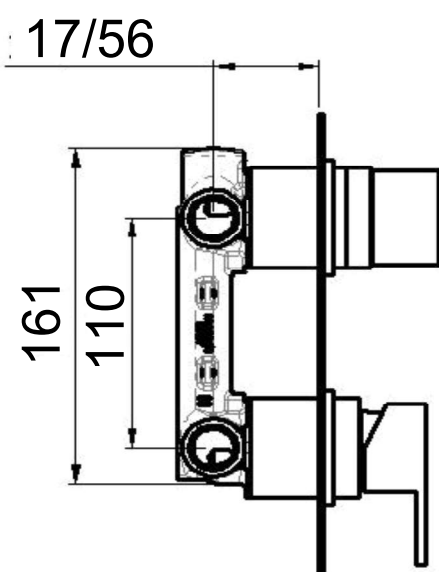
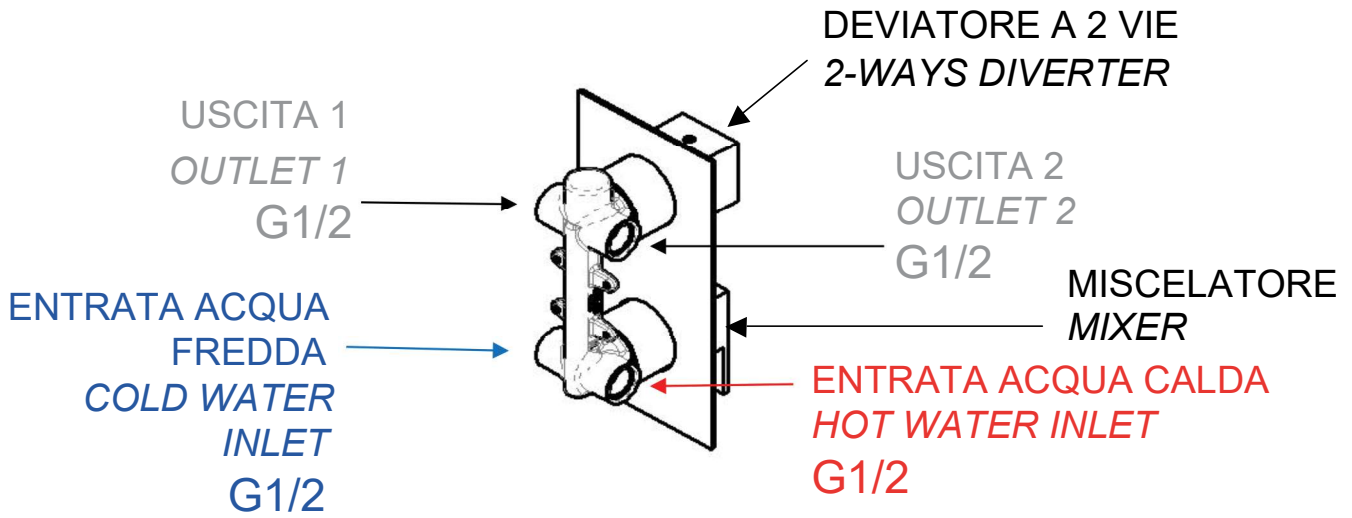


DANIEL

SCHEDA TECNICA TECHNICAL FEATURES

ART. COD.

SK612D2



MATERIALI / MATERIALS

OTTONE CROMATO / CHROME PLATED BRASS

CROMATURA / CHROME PLATING

UNI EN 248