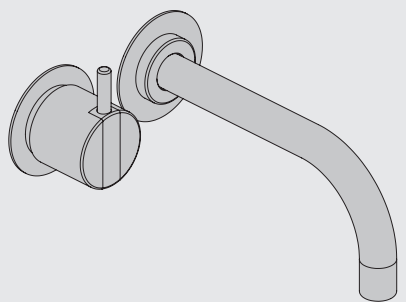


VOLA 100, 100X, 200, 200V, 300  
 VOLA 400DV, 400, 400V, 400N, 400NV, 400T  
 VOLA 400TV, 400F, 400FV, 400R, 400RV  
 VOLA 2100, 2100X, 2200, 2200V, 2300, 2400  
 VOLA 2400V, 2400N, 2400NV, 2400T, 2400TV  
 VOLA 2400F, 2400FV, 2400R, 2400RV



Fitting instruction    Monteringsvægledning  
 Montageanleitung    Montage hanledning  
 Monteringsvejledning    Manuel de montage



www.vola.com  
 100-2100\_V2\_40998502

vola



|  | L                 | L1            | L2                | H               | H1               | D               |
|--|-------------------|---------------|-------------------|-----------------|------------------|-----------------|
| 100, 100X, 200V, 300,<br>400V, 400DV<br>2100, 2100X, 2200V,<br>2300, 2400V | 395 mm<br>15 1/2" | 264 mm<br>10" | 268 mm<br>10 1/2" |                 |                  |                 |
| 400NV, 400TV<br>2400NV, 2400TV   | 490 mm<br>19 1/2" | 359 mm<br>14" | 367 mm<br>14 1/2" | 95 mm<br>3 3/4" | 170 mm<br>6 3/4" | 70 mm<br>2 3/4" |
| 400FV, 400RV<br>2400FV, 2400RV   | 570 mm<br>23"     | 439 mm<br>17" | 447 mm<br>17 5/8" |                 |                  |                 |

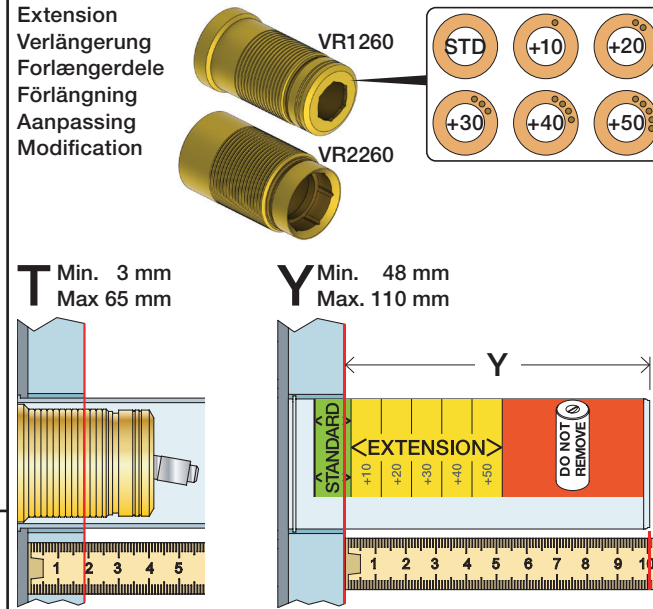
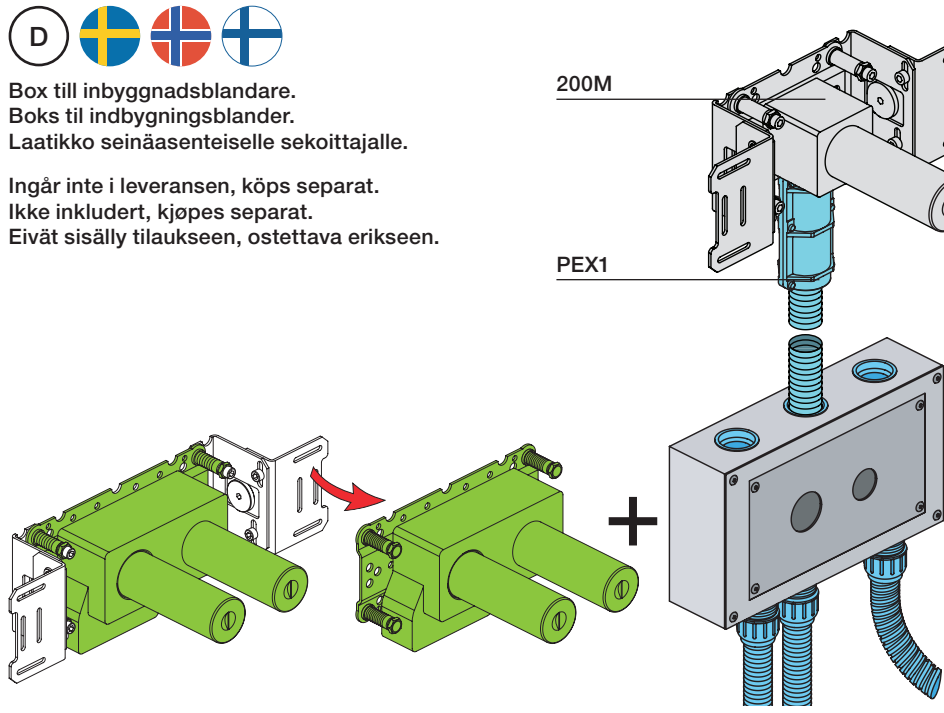
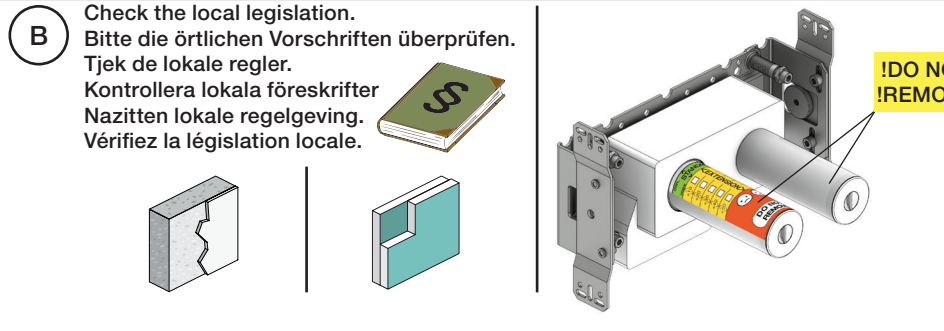


VR968: To be ordered separately.  
 Werden separat bestellt.  
 Bestilles separat.  
 Beställs separat.  
 Apart te bestellen.  
 À commander séparément.

**A** **Data, 3 Bar/43.5 Psi:**

|        | l/min. | Gal/min. |
|--------|--------|----------|
| 100:   | 18,3   | 4.8      |
| 400V:  | 15,6   | 4.1      |
| 2100:  | 25,2   | 6.7      |
| 2400V: | 22,2   | 5.9      |

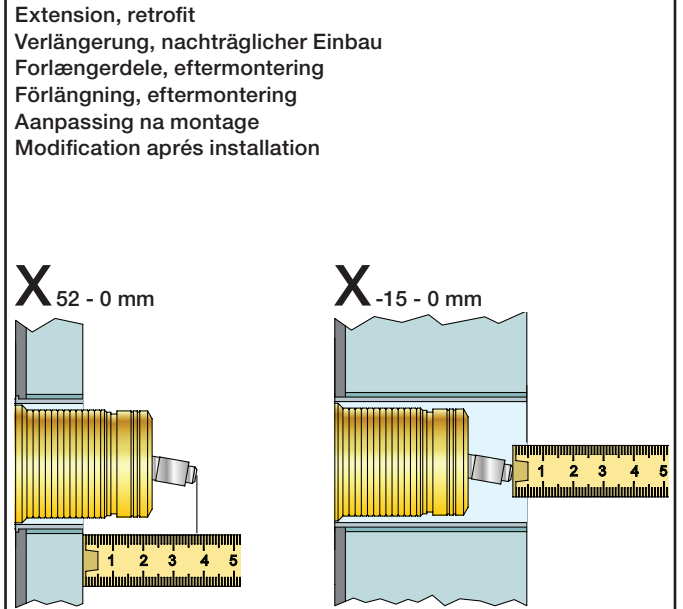
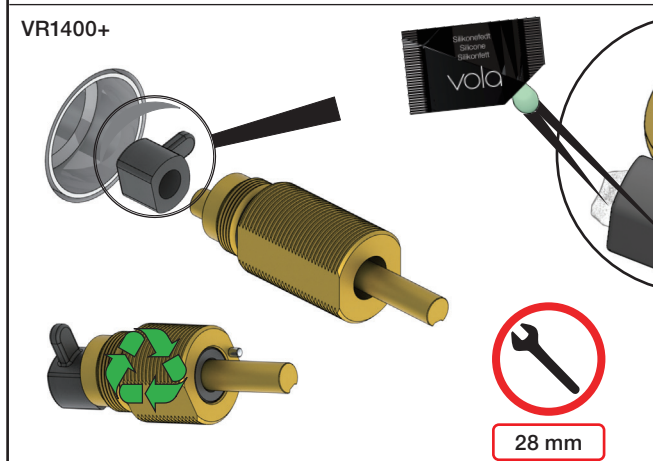
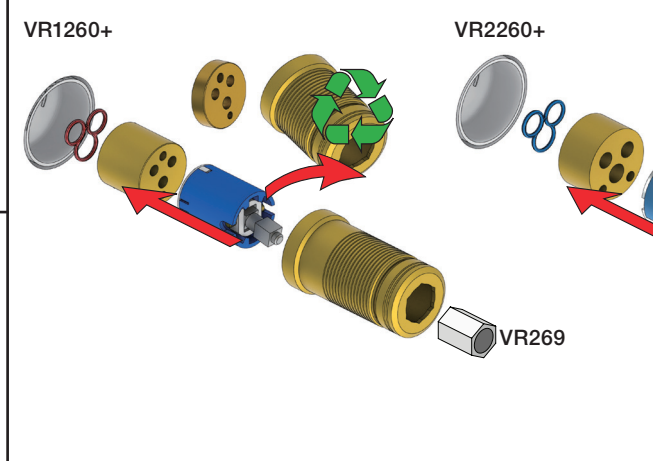
Max. 65°C, 150°F  
 Max.: 10 Bar/145 psi



| T          | Y           | VR1260/2260/1400/2019 |
|------------|-------------|-----------------------|
| 3 - 15 mm  | 110 - 98 mm | Std.                  |
| 15 - 25 mm | 98 - 88 mm  | +10                   |
| 25 - 35 mm | 88 - 78 mm  | +20                   |
| 35 - 45 mm | 78 - 68 mm  | +30                   |
| 45 - 55 mm | 68 - 58 mm  | +40                   |
| 55 - 65 mm | 58 - 48 mm  | +50                   |

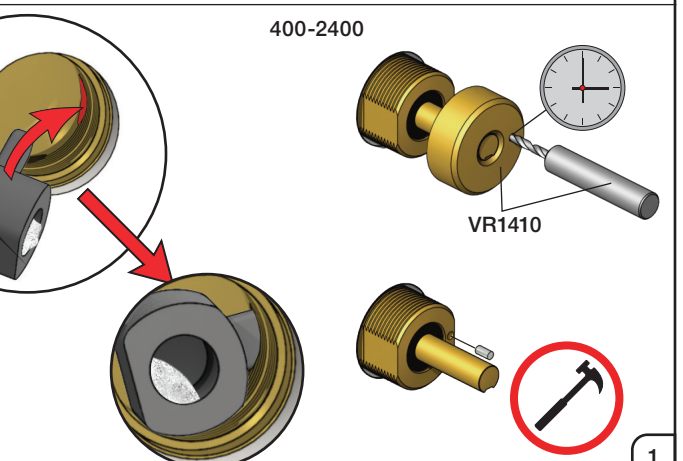
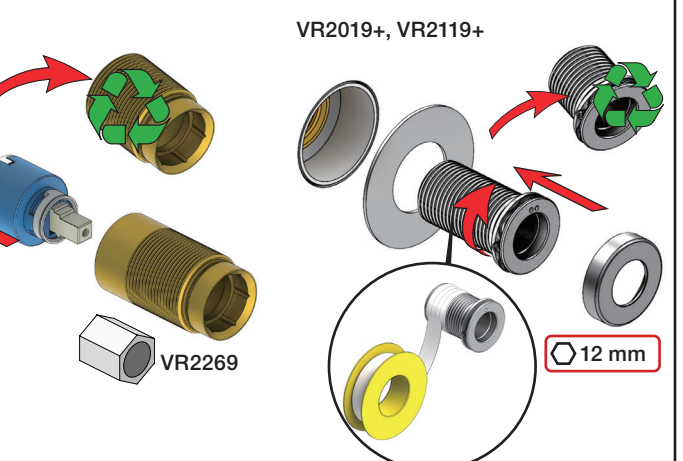
Fitting of extension  
 Montage von verlängerung  
 Monterings af forlængerdele

Montering av förlängning  
 Montage van de verlengstukken  
 Montage des rallonges



| X          | VR1260 + VR1400 + VR2019 |
|------------|--------------------------|
| 40 - 52 mm | Std.                     |
| 30 - 40 mm | +10                      |
| 20 - 30 mm | +20                      |
| 10 - 20 mm | +30                      |
| 0 - 10 mm  | +40                      |
| -10 - 0 mm | +50                      |

| X           | VR2260 + VR1400 + VR2019 |
|-------------|--------------------------|
| 35 - 47 mm  | Std.                     |
| 25 - 35 mm  | +10                      |
| 15 - 25 mm  | +20                      |
| 5 - 15 mm   | +30                      |
| -5 - 5 mm   | +40                      |
| -15 - -5 mm | +50                      |







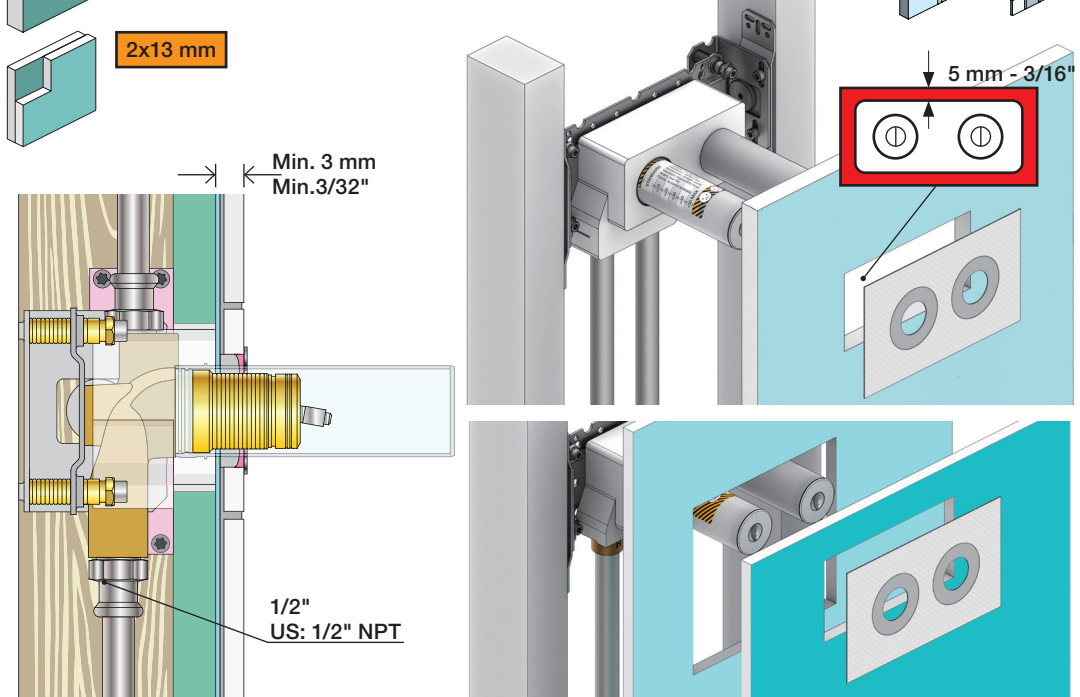
**2x13 mm** Lightweight wall  
 Leichtwand  
 Let væg

Lätta konstruktion  
 Holle wandconstructie  
 Construction légère



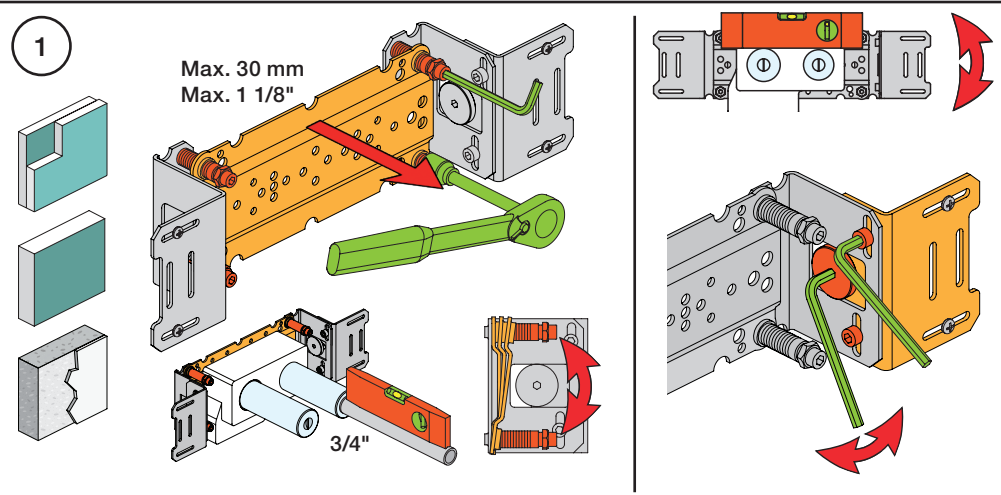
**1x15 mm**  
**1x18 mm**  
**1x20 mm**

Lätta konstruktion  
 Holle wandconstructie  
 Construction légère



Masonry  
 Mauerwerk  
 Murværk

Murverk  
 Massive wand  
 Mur Plein



**1**

Max. 30 mm  
 Max. 1 1/8"

**2**

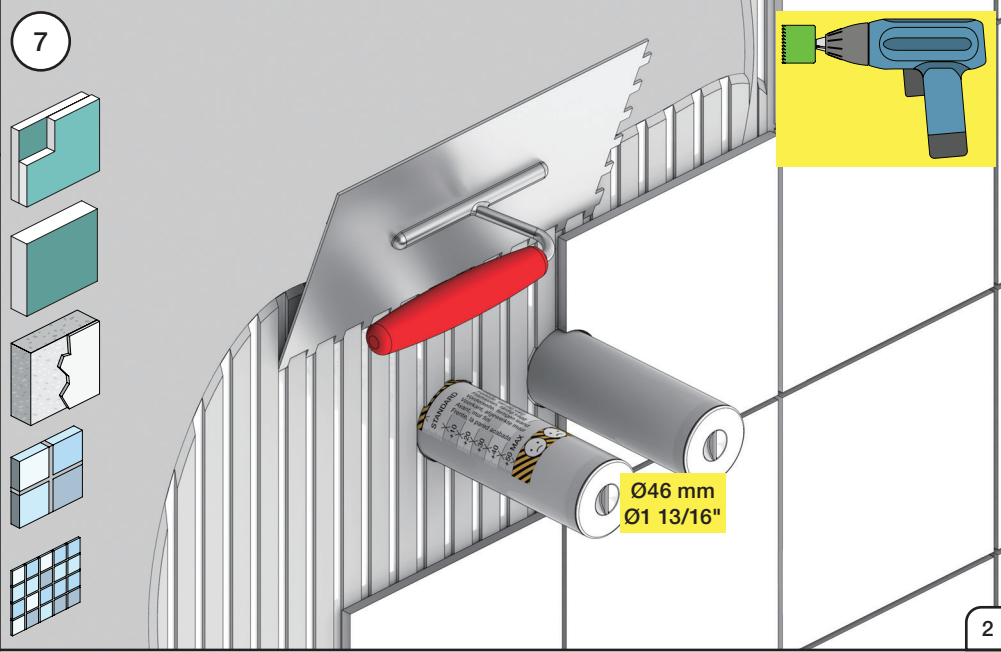
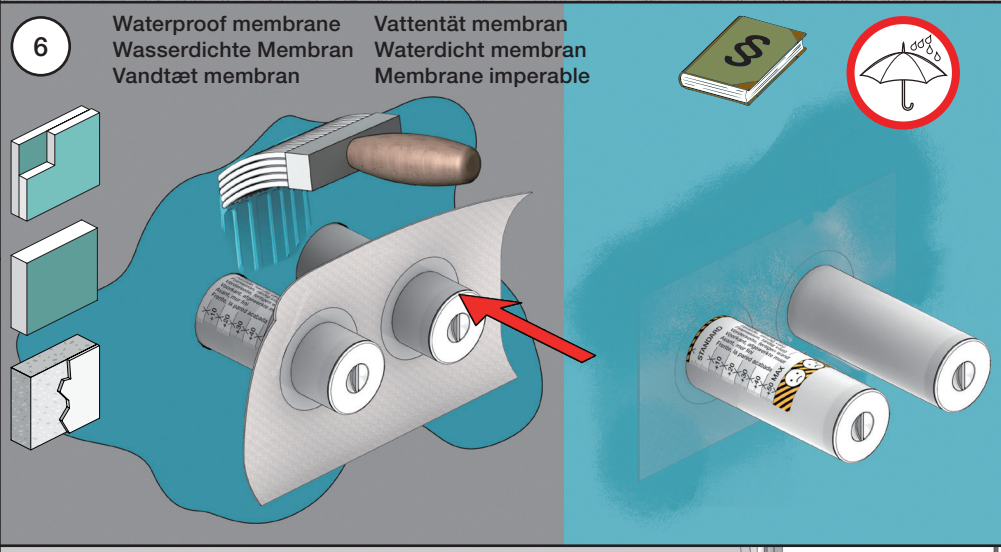
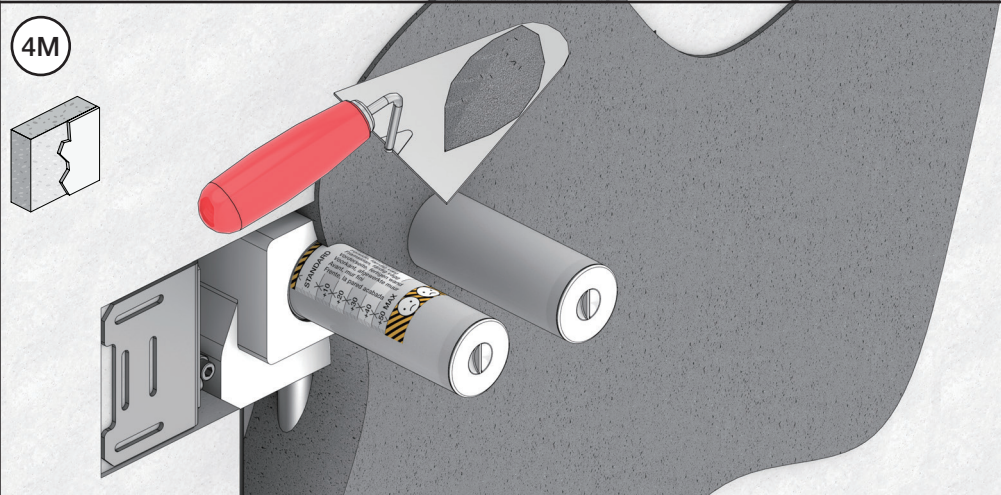
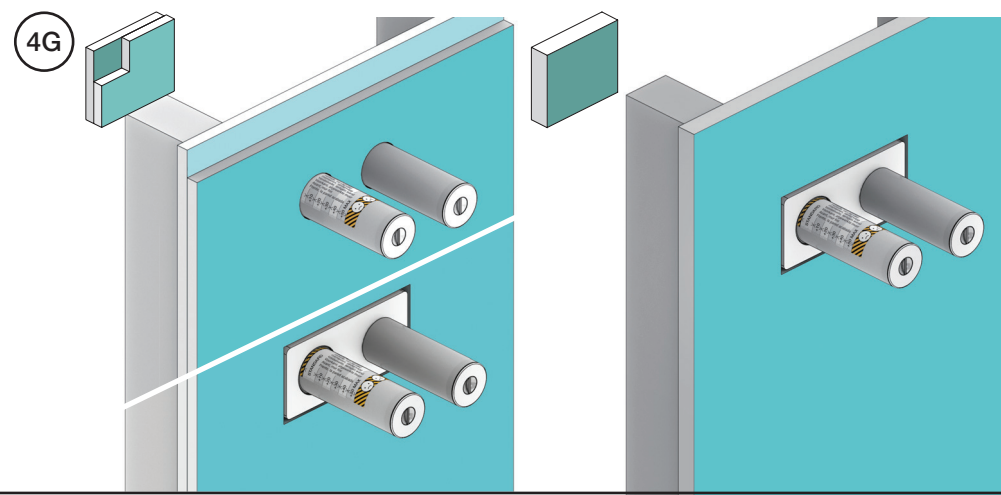
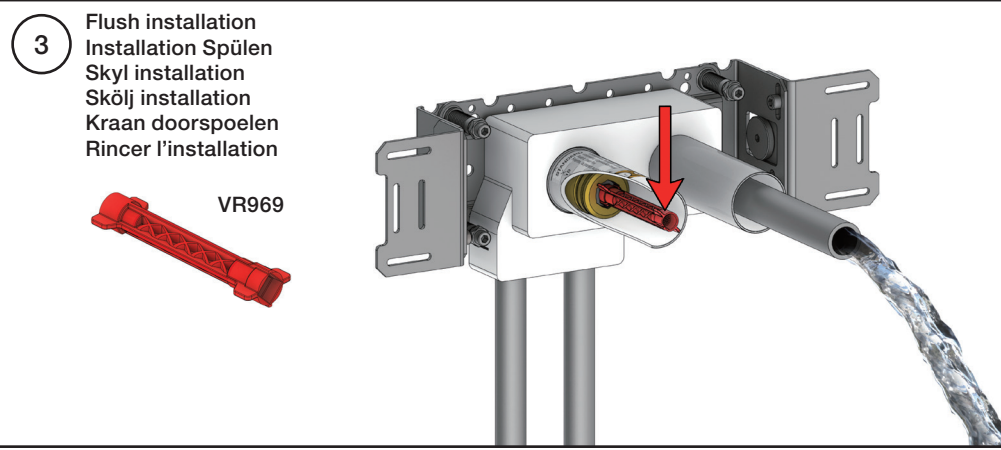
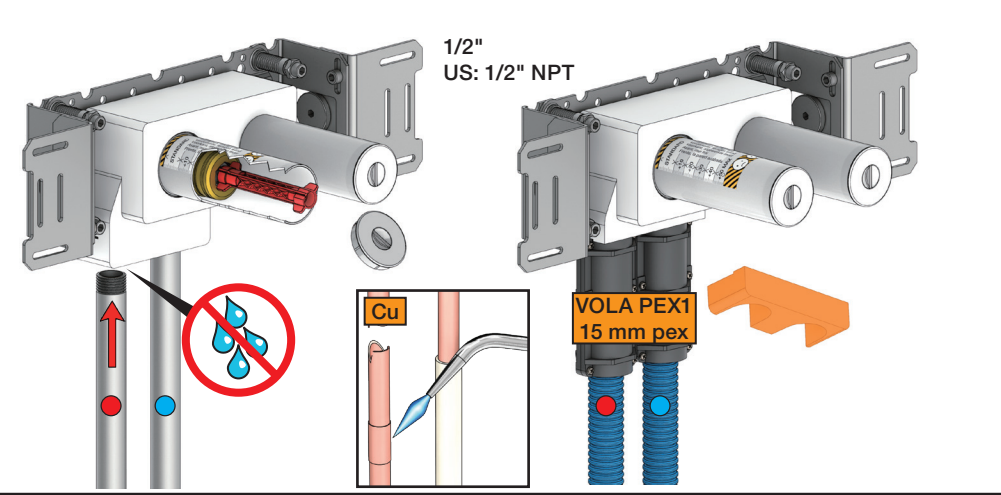
Test Pressure  
 Prüfdruck  
 testtryk  
 Test tryck  
 Test druk  
 test de pression

Check the local legislation.  
 Bitte die örtlichen Vorschriften überprüfen.  
 Tjek de lokale regler.  
 Kontrollera lokala föreskrifter.  
 Nazitten lokale regelgeving.  
 Vérifiez la législation locale.

**1.** MAX. 16 Bar  
 232 Psi

**2.** MAX. 4 Bar  
 58 Psi

**! Water - Wasser - Vand - Vatten - Water - Leau !**  
**! MAX 1 Minute - Minut - Minuut !**





**VOLA 010, 020, 030, 040**  
**VOLA 010C, 020C, 040D**

Fitting instruction  
 Montageanleitung  
 Monteringsvejledning  
 Monteringsvægledning  
 Montage hanleiding  
 Manuel de montage



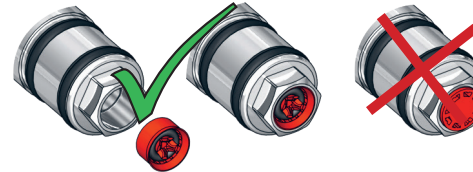
www.vola.com  
 mnt\_010\_V1\_40998360  
 22-03-2021



| Standard Flow data: |           | Max.                     |
|---------------------|-----------|--------------------------|
| 010/020             | (l/min)   | 5.0                      |
|                     | (Gal/min) | 1.3                      |
| 010C/020C           | (l/min)   | 30                       |
|                     | (Gal/min) | 7.9                      |
| 030                 | (l/min)   | 9.0                      |
|                     | (Gal/min) | 2.0                      |
| 040                 | (l/min)   | 25                       |
|                     | (Gal/min) | 6.6                      |
| 040D                | (l/min)   | 30                       |
|                     | (Gal/min) | 7.9                      |
|                     |           | Max. 65°C.<br>Max. 150°F |



**VR161:**  
 VR161K: 7 l/min - 1.8 Gal/min  
 VR161D: 9 l/min - 2.5 Gal/min  
 VR161F: 14 l/min - 3.7 Gal/min

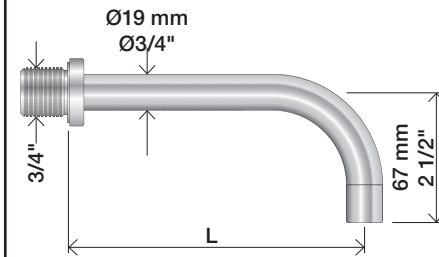


For more water saving possibilities please see:  
 Weitere Wassersparmöglichkeiten finden Sie auf:  
 For flere vandbesparende muligheder se venligst:  
 För mer vattenbesparande möjligheter hänvisas till:  
 Voor meer waterbesparende mogelijkheden zie:  
 Pour plus d'informations sur les options : économie d'eau, voir le site:

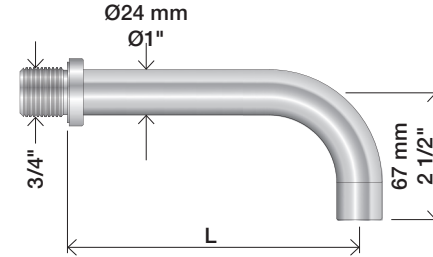
[www.vola.com](http://www.vola.com)



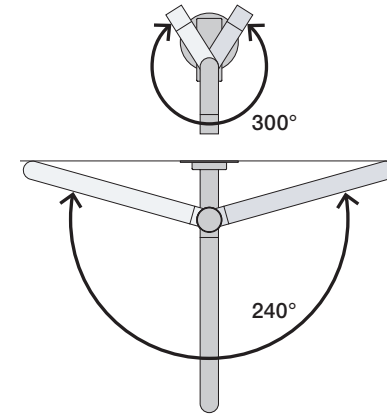
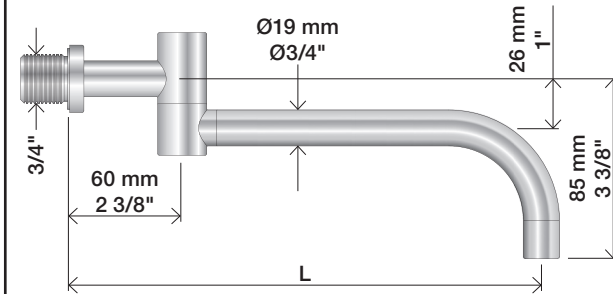
**010, 020**



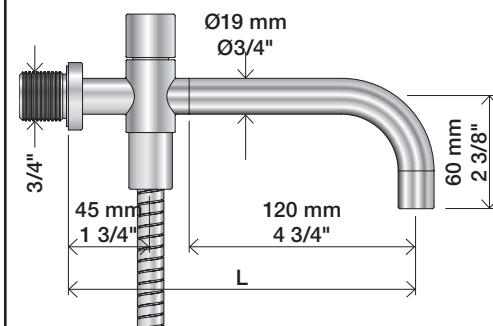
**010C, 020C**



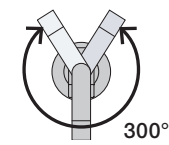
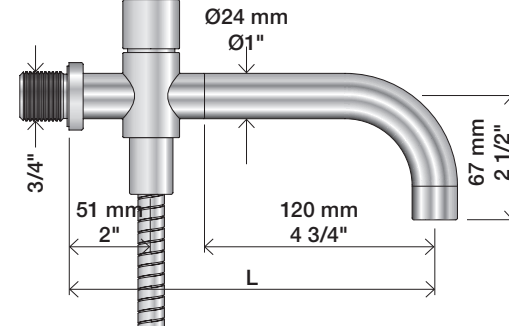
**030**



**040**



**040D**



|            | L (mm) | L (Inch) |
|------------|--------|----------|
| 010(C)/100 | 100    | 4"       |
| 010(C)/130 | 130    | 5"       |
| 010(C)/160 | 160    | 6"       |
| 020(C)/200 | 200    | 7 3/4"   |
| 020(C)/225 | 225    | 8 3/4"   |
| 020(C)/260 | 260    | 10 1/4"  |
| 020(C)/300 | 300    | 11 3/4"  |

|         | L (mm) | L (Inch) |
|---------|--------|----------|
| 030/200 | 200    | 7 3/4"   |
| 030/250 | 250    | 9 3/4"   |
| 030/300 | 300    | 11 3/4"  |
| 030/350 | 350    | 13 3/4"  |

|          | L (mm) | L (Inch) |
|----------|--------|----------|
| 040      | 185    | 7 3/4"   |
| 040D     | 200    | 7 3/4"   |
| 040D/250 | 250    | 9 3/4"   |
| 040D/300 | 300    | 11 3/4"  |

1

010, 010C, 020, 020C, 030, 040, 040D



VR1020

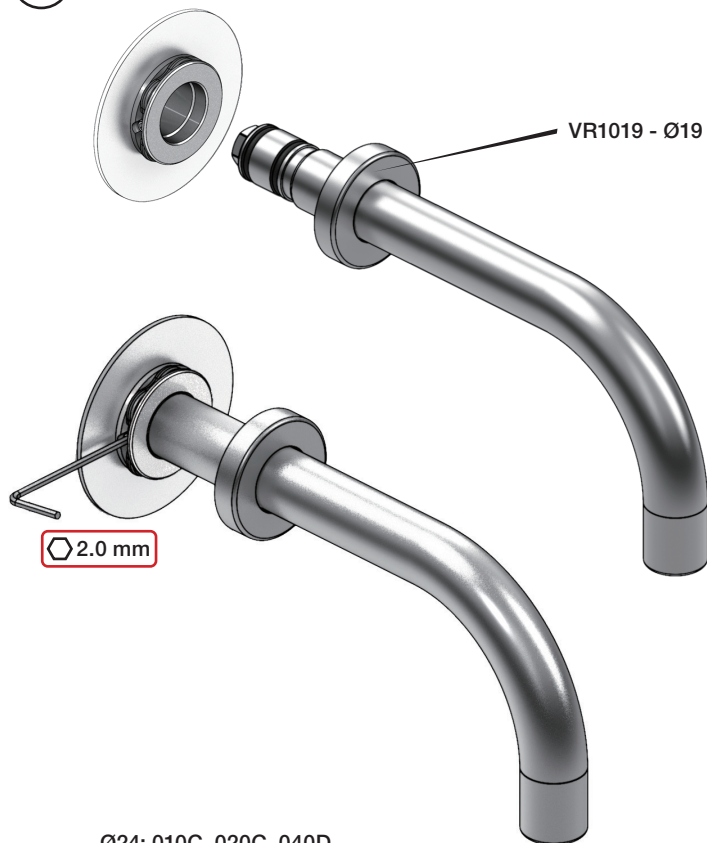
12 mm

2



3

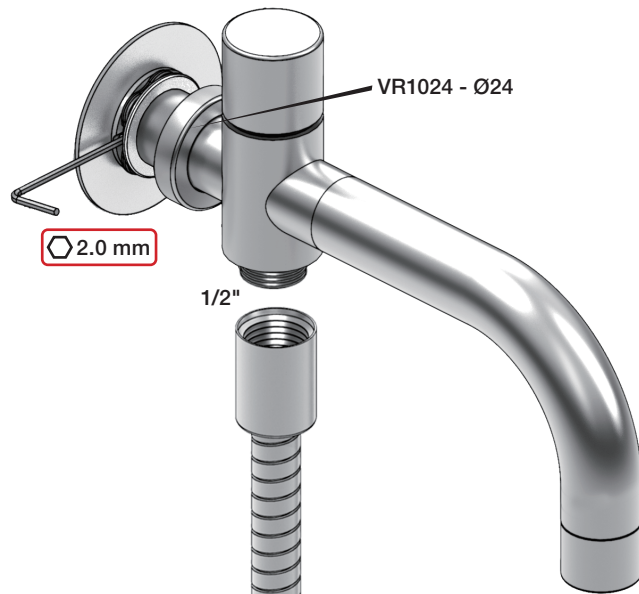
Ø19: 010, 020, 030, 040



VR1019 - Ø19

2.0 mm

Ø24: 010C, 020C, 040D



VR1024 - Ø24

2.0 mm

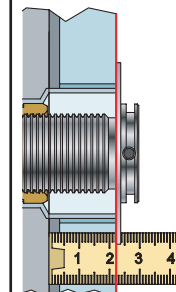
1/2"

Extension  
Verlängerung

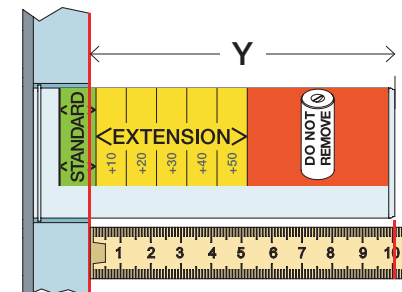
Forlængerdele  
Förlängning

Verlengstukken  
Modification

T Min. 3 mm  
Max. 65 mm

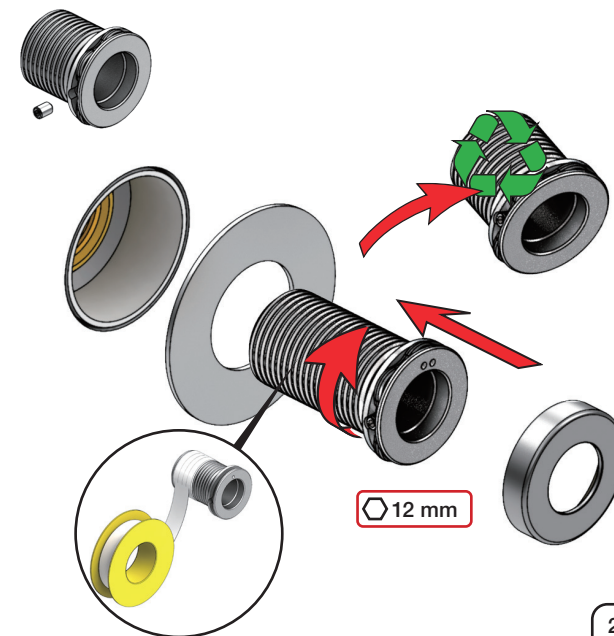


Y Min. 48 mm  
Max. 110 mm



| T          | Y           | VR2019 (Ø19)<br>VR2119 (Ø24) |
|------------|-------------|------------------------------|
| 3 - 15 mm  | 110 - 98 mm | Std.                         |
| 15 - 25 mm | 98 - 88 mm  | +10                          |
| 25 - 35 mm | 88 - 78 mm  | +20                          |
| 35 - 45 mm | 78 - 68 mm  | +30                          |
| 45 - 55 mm | 68 - 58 mm  | +40                          |
| 55 - 65 mm | 58 - 48 mm  | +50                          |

VR2019+/VR2219+



12 mm



**Do not cut the membrane**  
**Die Membran nicht schneiden**  
**Skær ikke membranen**  
**Skär inte membranet**  
**Snij het membraan niet door**  
**Ne coupez pas la membrane**  
**No cortar la membrana**

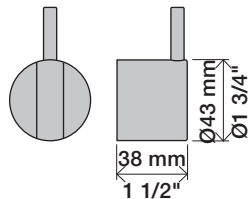
NR.21:



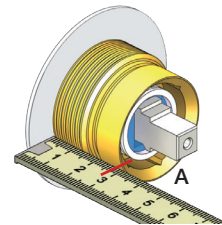
NR.28+19+24:



NR 21



NR 21 - 1



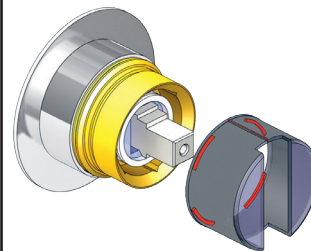
VR2279

VR2279B

VR2279C

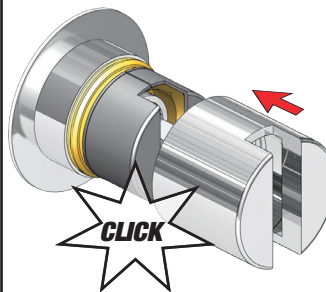


NR 21 - 2

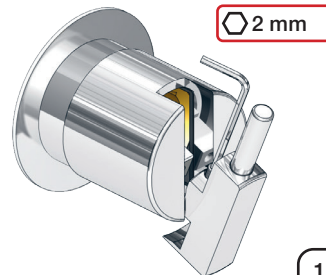


|         |       | A          |
|---------|-------|------------|
| VR2279  | 16 mm | 30 - 34 mm |
| VR2279B | 12 mm | 26 - 30 mm |
| VR2279C | 8 mm  | 22 - 26 mm |

NR 21 - 3

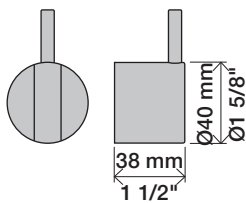


NR 21 - 4

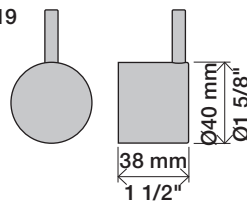




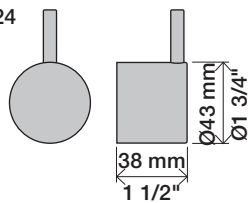
NR 28



NR 19



NR 24

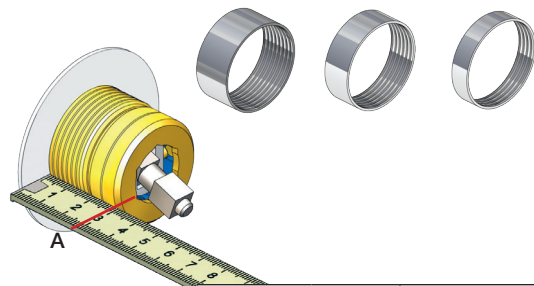


NR 28 - 1

VR3279

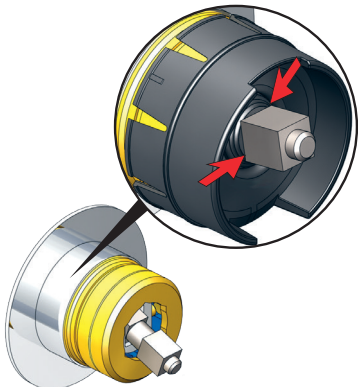
VR3279B

VR3279C



|         | A     |            |
|---------|-------|------------|
| VR3279  | 16 mm | 31 - 36 mm |
| VR3279B | 12 mm | 27 - 32 mm |
| VR3279C | 8 mm  | 23 - 28 mm |

NR 28 - 2

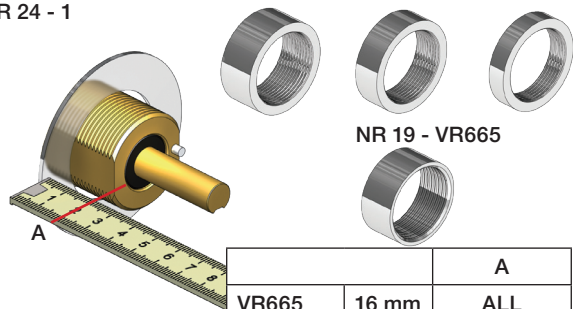


NR 19 - 1  
NR 24 - 1

VR2204

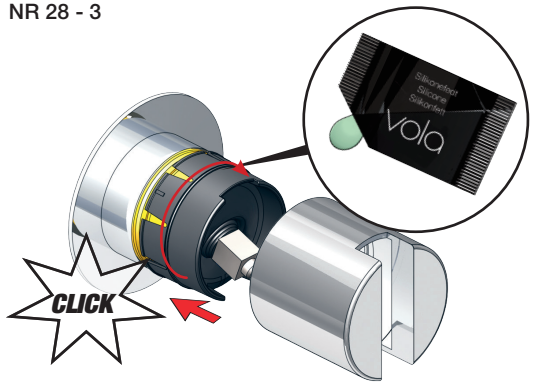
VR2204B

VR2204C

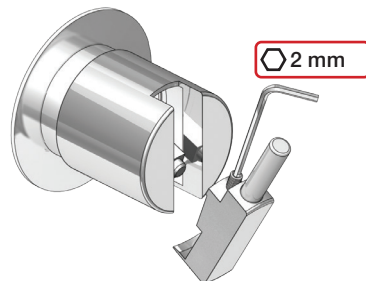


|         | A     |            |
|---------|-------|------------|
| VR665   | 16 mm | ALL        |
| VR2204  | 16 mm | 16 - 21 mm |
| VR2204B | 12 mm | 11 - 17 mm |
| VR2204C | 8 mm  | 7 - 13 mm  |

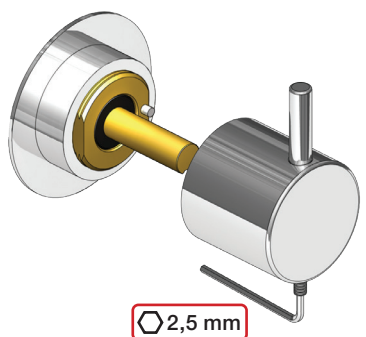
NR 28 - 3



NR 28 - 4



NR 19 - 2  
NR 24 - 2



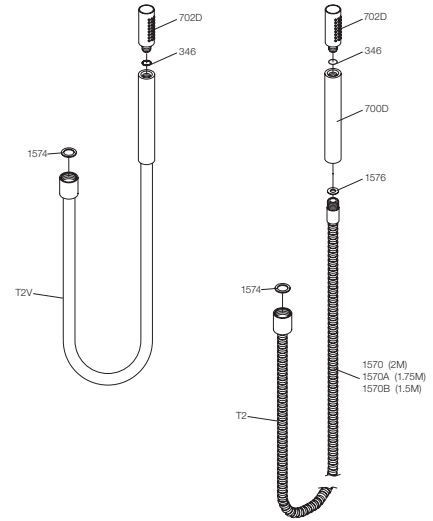
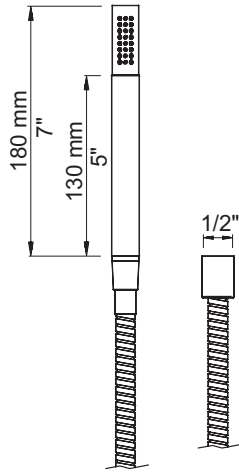


# VOLA T2



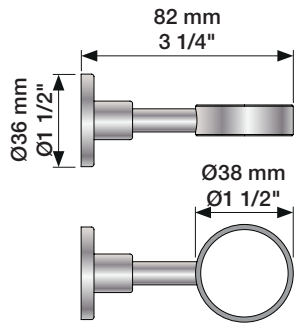


# VOLA T2

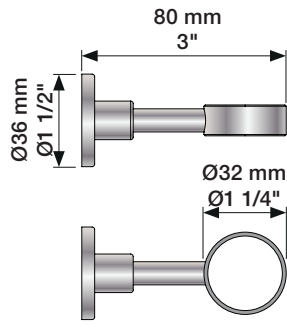




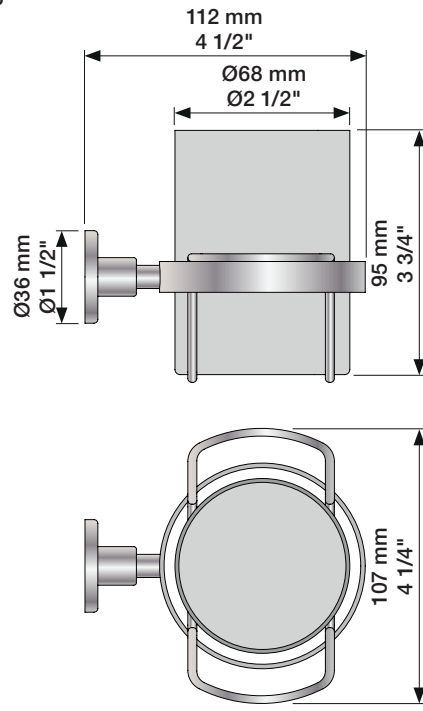
T4



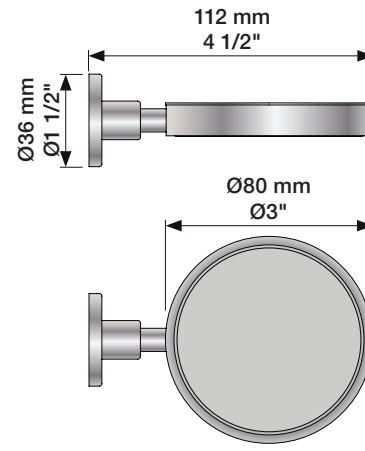
T5



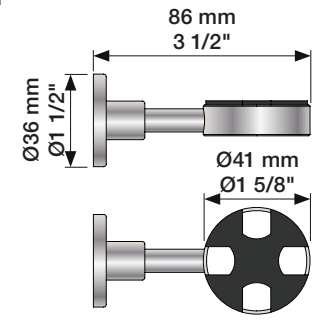
T6



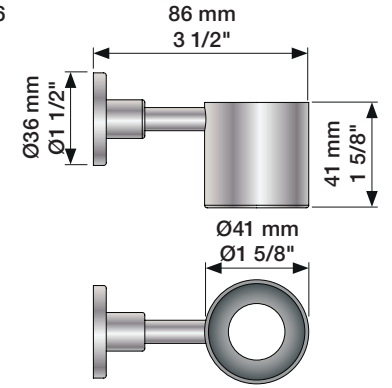
T7



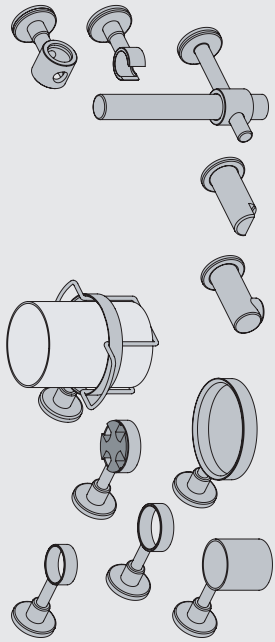
T11



T16



VOLA T3, T4, T5, T6, T7, T8, T9, T11, T14, T16, T27



www.vola.com

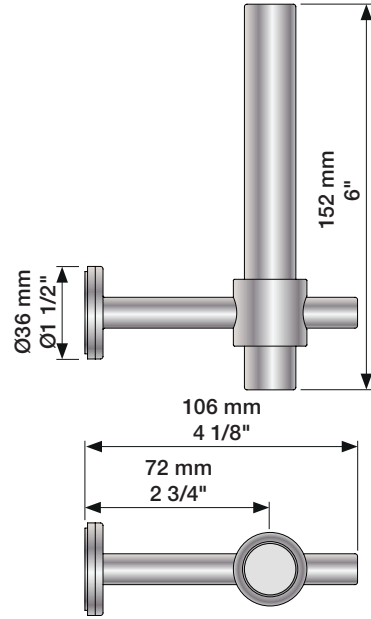
vola



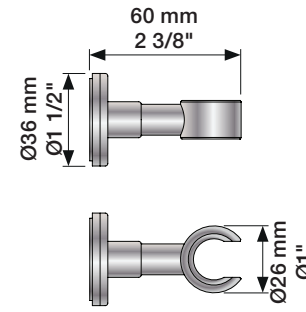
5 1703182 372310

mnt\_T3-T27\_V2\_40999247

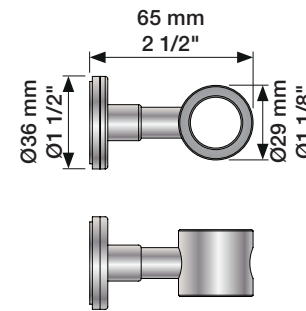
T14



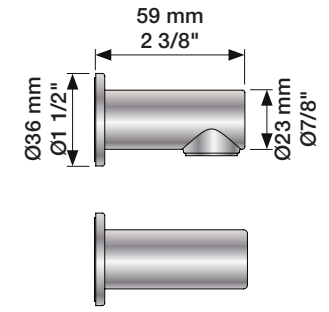
T8



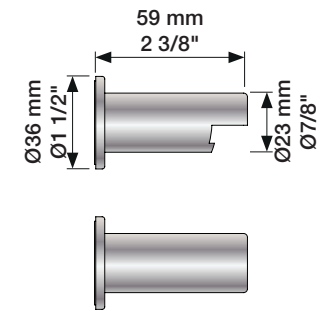
T9



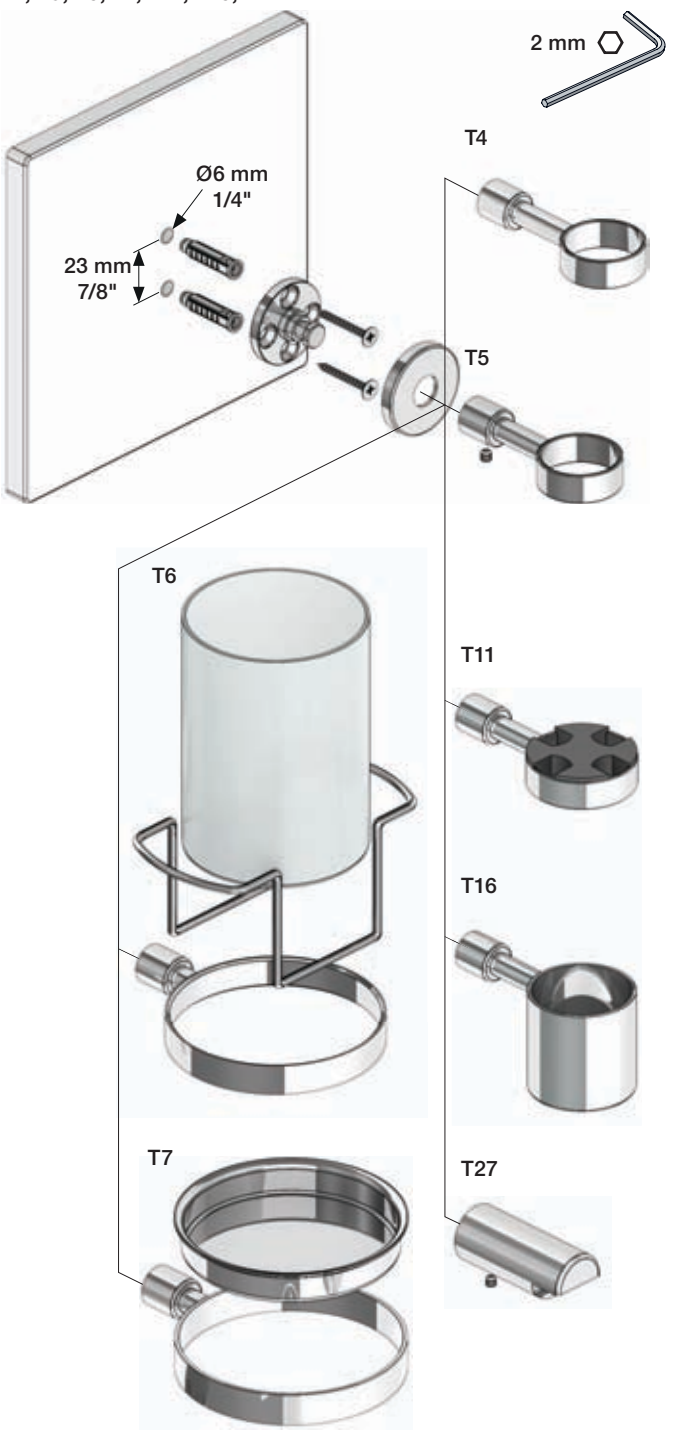
T3



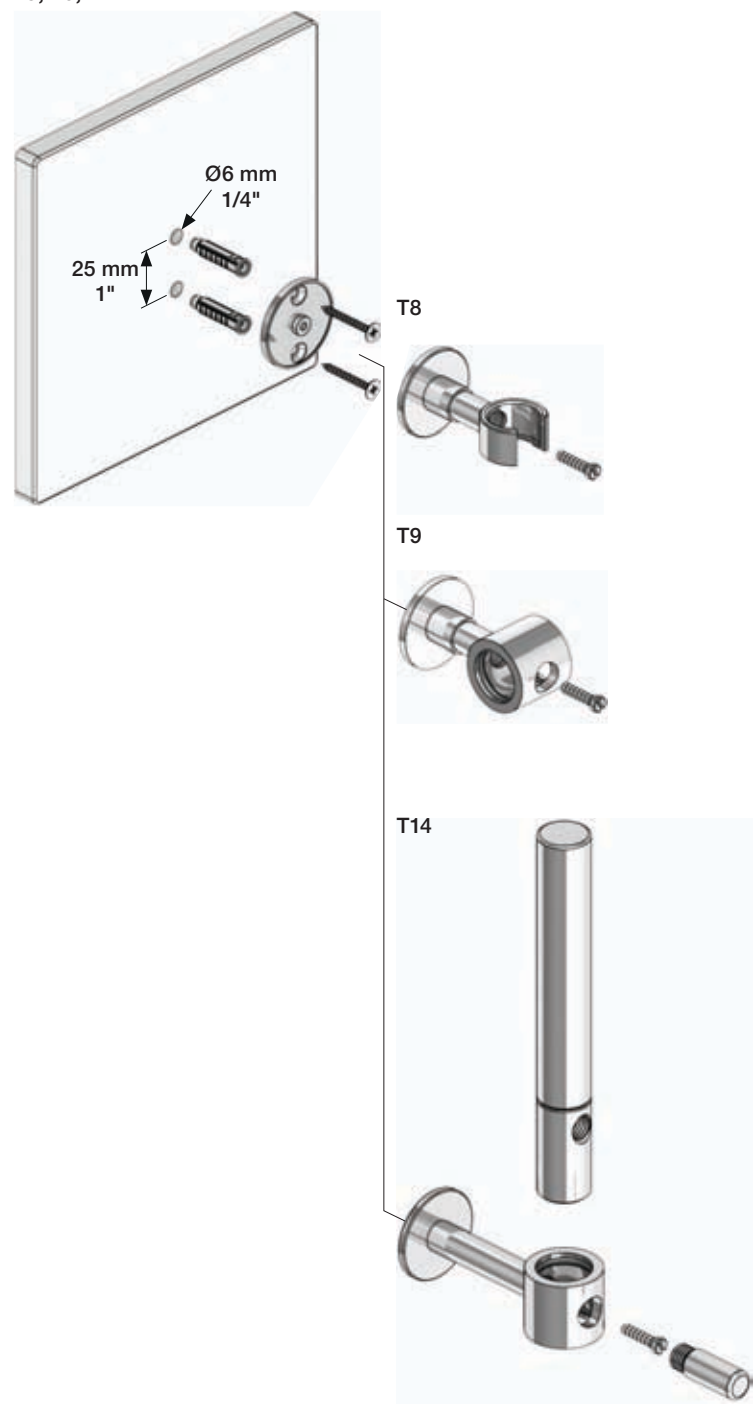
T27



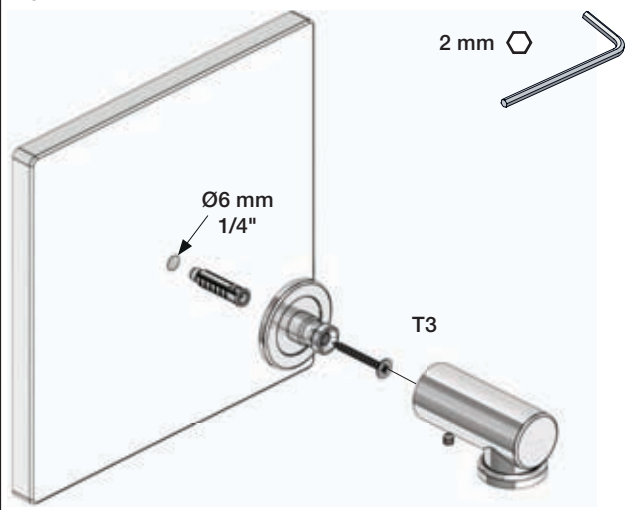
T4, T5, T6, T7, T11, T16, T27



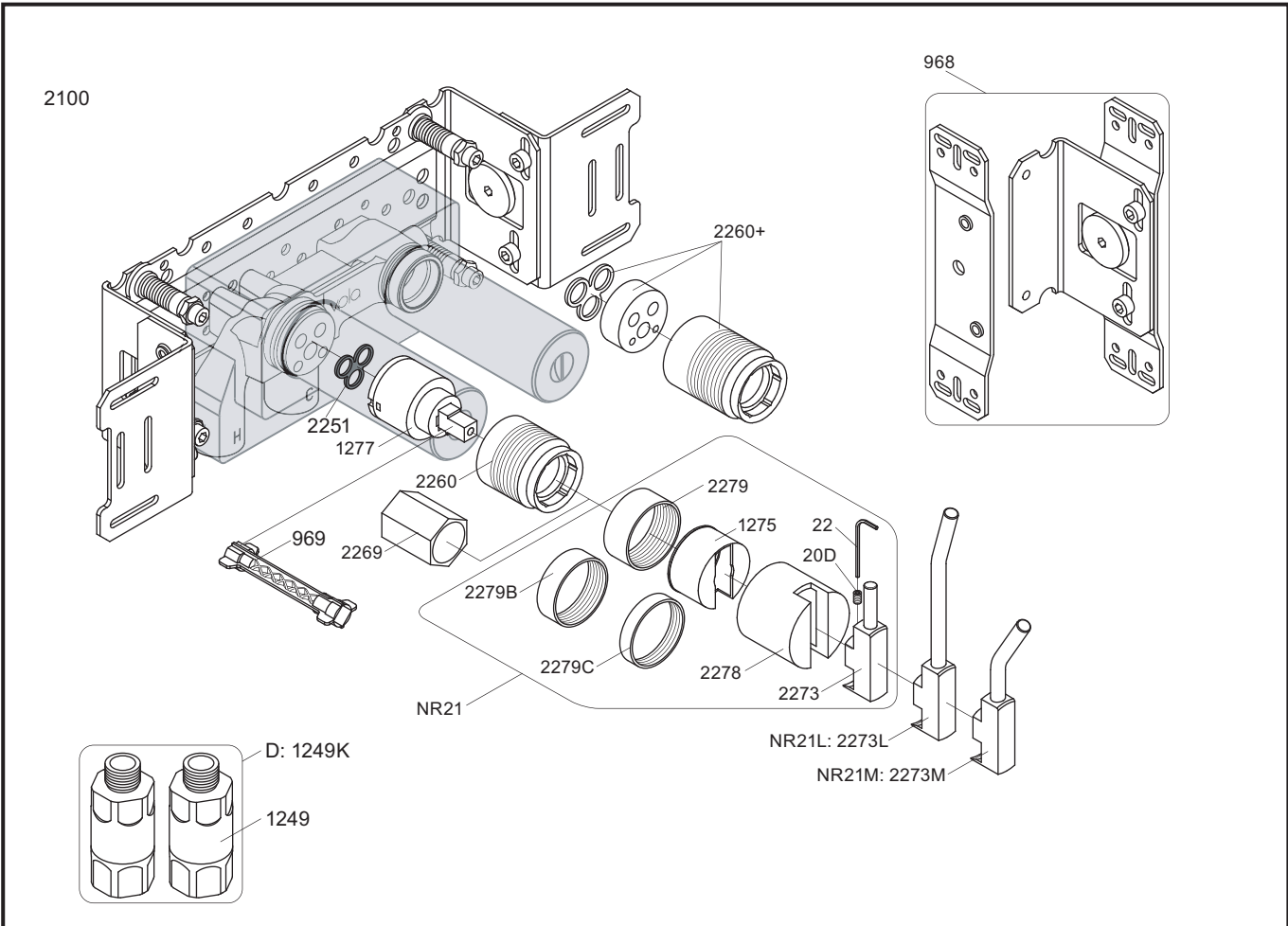
T8, T9, T14



T3







NR21: VR20D, VR22, VR1275, VR2269, VR2273, VR2278, VR2279, VR2279B, VR2279C  
 VR1277K: VR22, VR1277, VR2269

|                         |                          |                          |                         |
|-------------------------|--------------------------|--------------------------|-------------------------|
| <p>2100</p> <p>2927</p> | <p>2100X</p> <p>2927</p> | <p>2200V</p> <p>2928</p> | <p>2300</p> <p>2927</p> |
| <p>2002</p>             | <p>2003KB</p>            | <p>2003B</p>             | <p>2002</p>             |
| <p>2001, 001</p>        | <p>2001, 001</p>         | <p>2001</p>              | <p>2001, 001</p>        |



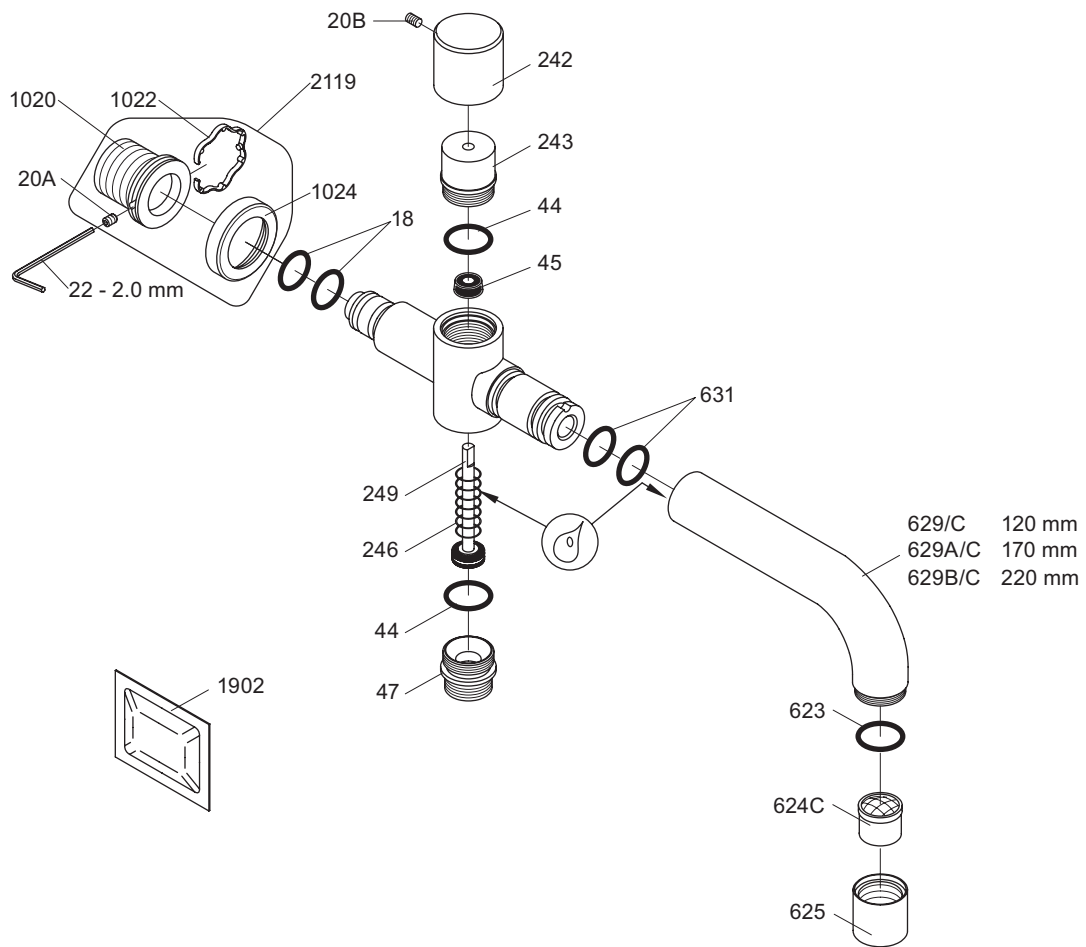
**vola**  
 Lunavej 2  
 DK-8700 Horsens  
 Tlf : + 45 7023 5500  
 sales@vola.com  
 www.vola.com

**VOLA 2100**  
 2100X, 2200V, 2300

Date  
 Apr. 21

Rev.  
 3

Sheet  
 SB 10.7



VR040D: VR22, VR44, VR45, VR47, VR246, VR623, VR624/A/C/D/E/F, 2xVR631, VR1902  
 VR1020K: VR20A, VR22, VR1020, VR1022  
 VR2119: VR20A, VR22, VR1020, VR1022, VR1024



vola

Lunavej 2  
 DK-8700 Horsens  
 Tlf : + 45 7023 5500  
 sales@vola.com  
 www.vola.com

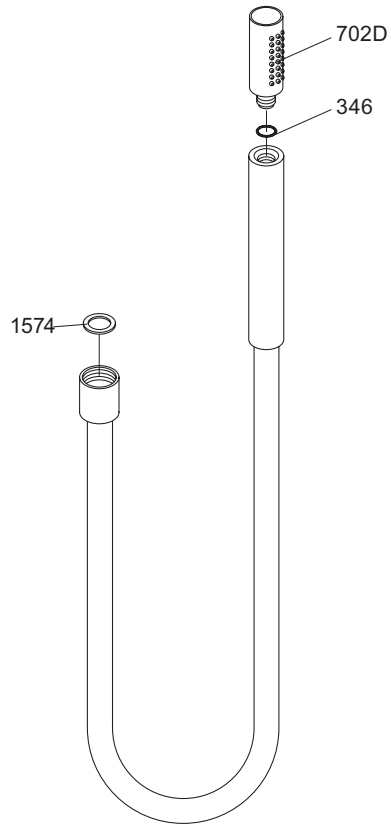
**VOLA 040D/C**

Date  
 Apr, 21

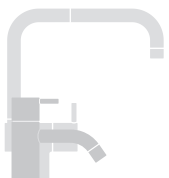
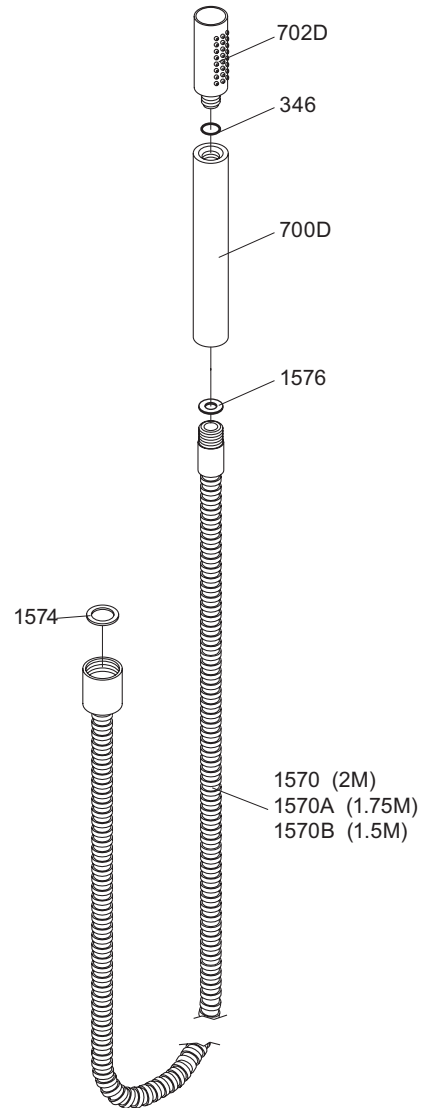
Rev.  
 2

Sheet  
 SB 20.1

T2V:



T2:



vola

Lunavej 2  
DK-8700 Horsens  
Tlf : + 45 7023 5500  
sales@vola.com  
www.vola.com

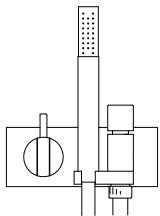
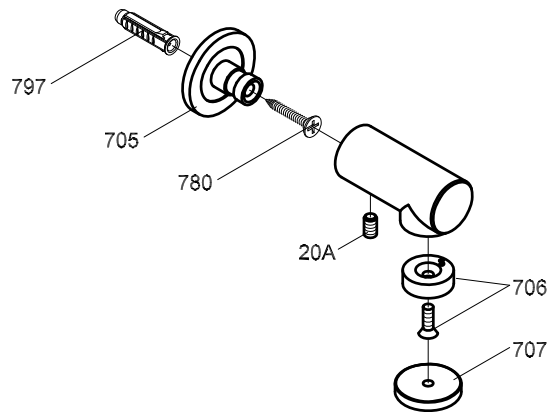
## VOLA T2V & T2

Date  
Sep. 07

Rev.  
1

Sheet  
SB 40





**VOLA A/S**  
Lunavej 2  
DK-8700 Horsens  
Tlf : +45 70235500  
Fax: +45 70235511  
sales@vola.dk  
www.vola.com

**Vola T3**

Dato:

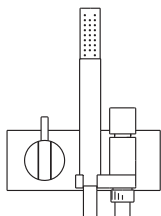
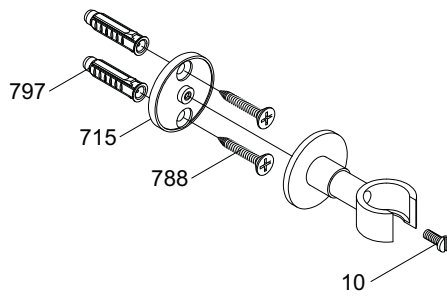
Jan. 99

Rev:

1

Blad:

SB40.1



**VOLA A/S**  
Lunavej 2  
DK-8700 Horsens  
Tlf : + 45 7023 5500  
Fax: + 45 7023 5511  
sales@vola.com  
www.vola.com

## VOLA T8

Dato

Jan. 96

Rev.

1

Blad

SB 40.6