

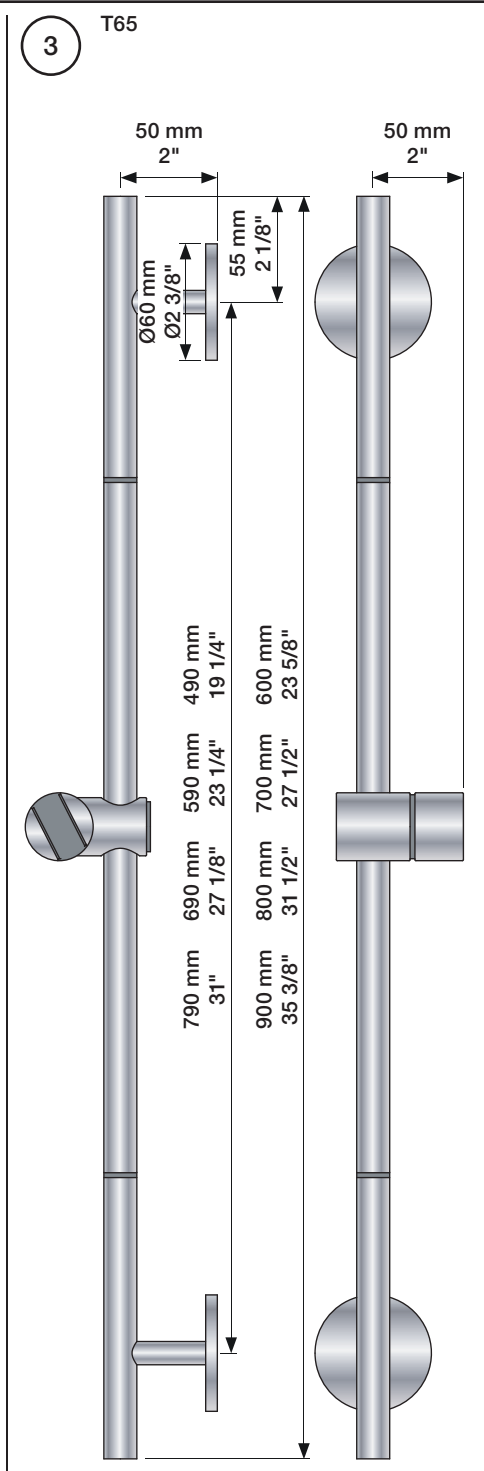
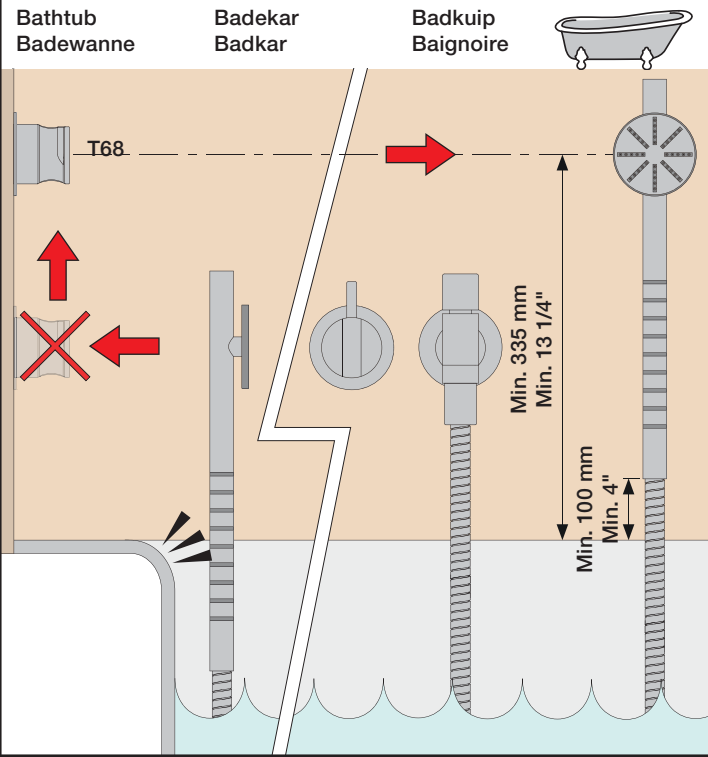
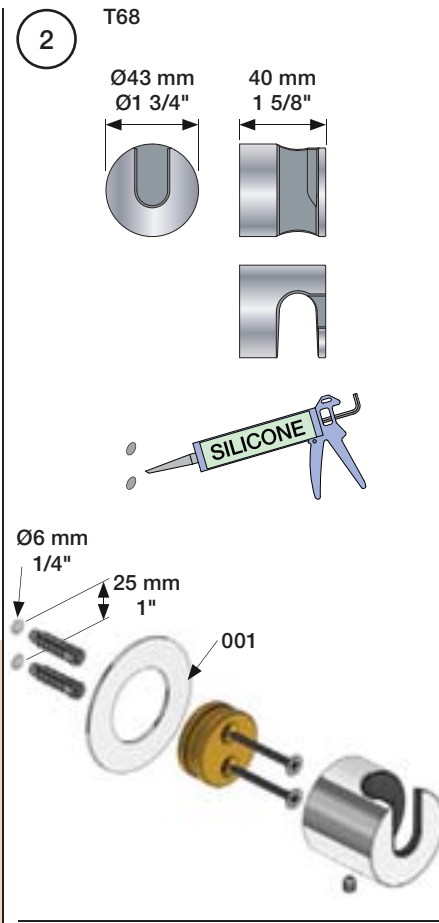
Fitting instruction  
 Montageanleitung  
 Monteringsvejledning  
 Monteringsvægledning  
 Montage hanleiding  
 Manuel de montage



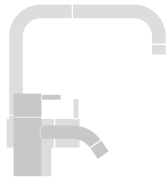
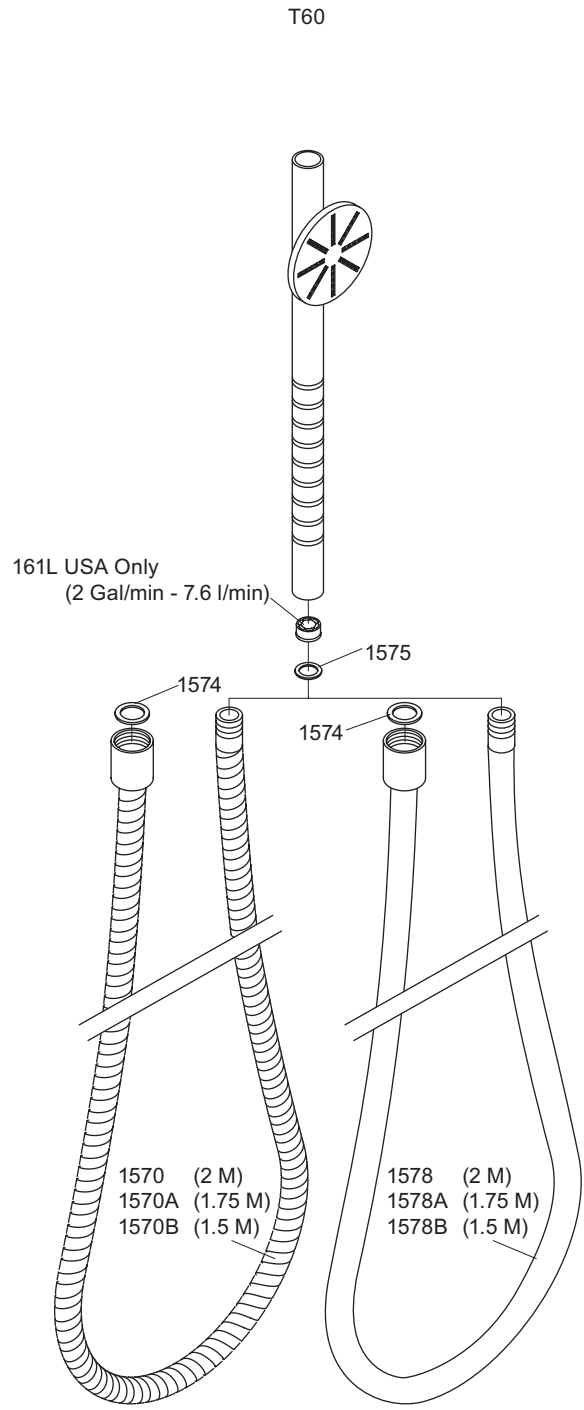
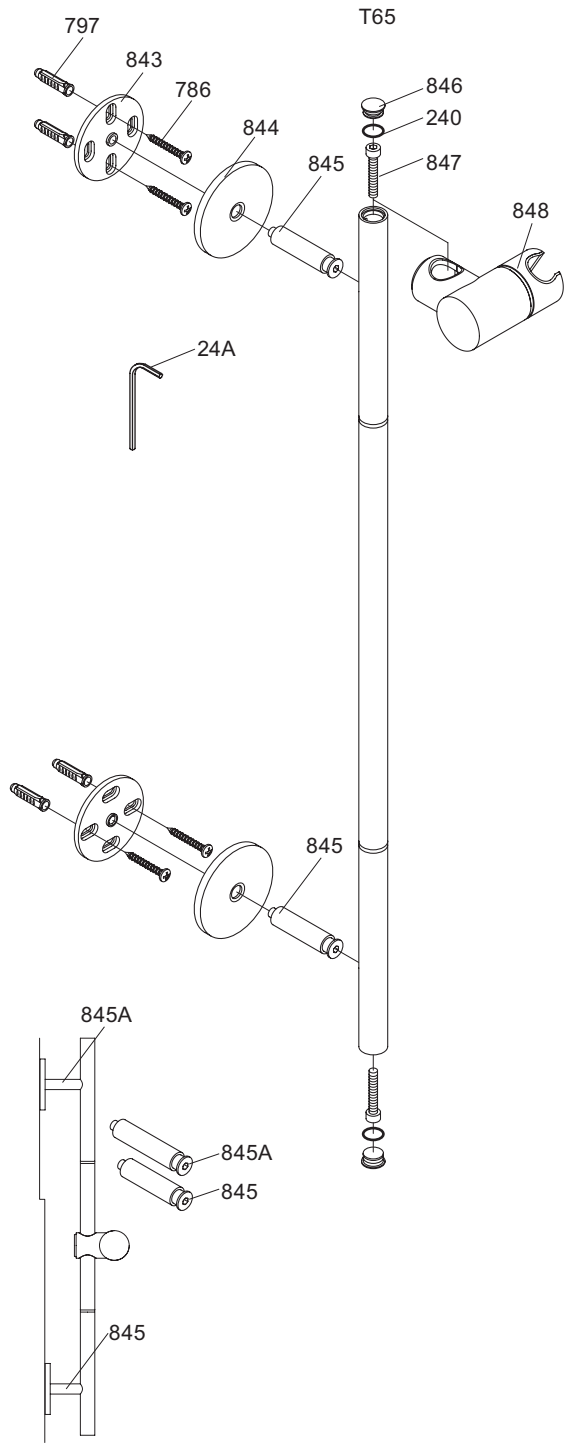
| Data | Bar:                 | 1          | 2          | 3         | 4         | 5         |
|------|----------------------|------------|------------|-----------|-----------|-----------|
| T60  | (l/min)<br>(Gal/min) | 6.9<br>1.8 | 9.8<br>2.6 | 12<br>3.2 | 14<br>3.7 | 15<br>4.1 |
|      | Max. 65°C. 150°F     |            |            |           |           |           |

USA:  
 Max. flow rate:  
 2 Gal/min

Service - VR556







**vola**  
 Lunavej 2  
 DK-8700 Horsens  
 Tlf : + 45 7023 5500  
 sales@vola.com  
 www.vola.com

# VOLA T65

## T65-T60

|       |          |
|-------|----------|
| Date  | Mar. 15  |
| Rev.  | 0        |
| Sheet | SB 42.65 |