



# IB RUBINETTI

Collection

**K3**

Article

**K3350**

Description

**Wall mounted shower mixer**

Box Dimensions

**360 x 220 x 150 mm**

Weight

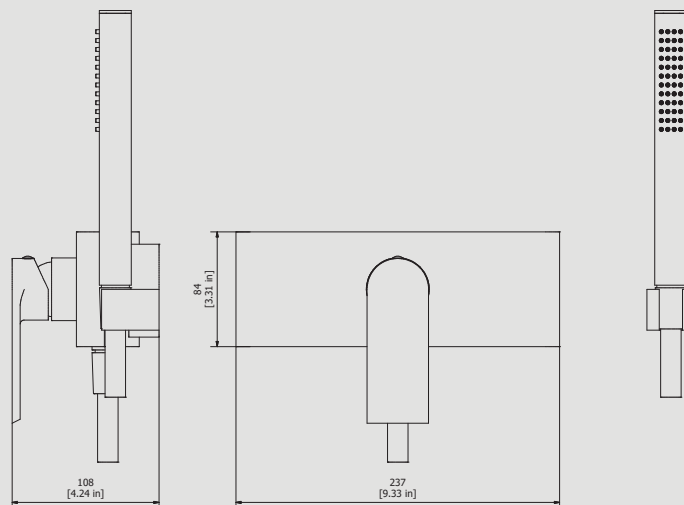
**3.5 kg**

Finishes

- **CC** CHROME
- **CF** BLACK CHROME
- **BG** GLOSSY WHITE
- **NG** GLOSSY BLACK
- **SS** BRUSHED NICKEL
- **CS** BRUSHED BLACK CHROME
- **BO** MATT WHITE
- **NP** MATT BLACK
- **OO** GOLD
- **BB** ANTIQUE BRONZE
- **II** PALE GOLD
- **RR** ANTIQUE COPPER
- **RS** ROSE GOLD
- **ON** NATURAL BRASS
- **IS** BRUSHED PALE GOLD
- **OS** BRUSHED GOLD
- **SR** BRUSHED ROSE GOLD
- **PL** PLATINUM



Dimensions



Cartridge

**Ø35 ceramic cartridge**

Threaded fitting

**G1/2" male**

Aerator

Flow Rate (+/-10%)

<b>1 BAR</b>	<b>2 BAR</b>	<b>3 BAR</b>
<b>11.5 l/min</b>	<b>18.4 l/min</b>	<b>23.3 l/min</b>

Production

**Main body is a single casted pieces**

Material

**BRASS**  
According to CuZn35Pb2Al-B (CB752S)  
Max Lead content: 1.36%

IB RUBINETTERIE s.p.a  
via dei Pianotti 3/5  
25068 Sarezzo (BS) - Italy -

T. +39 030 802101  
F. +39 030 803097  
info@ibrubinetterie.it

P.IVA 01785230986  
capitale sociale  
€420.000,00 i.v.

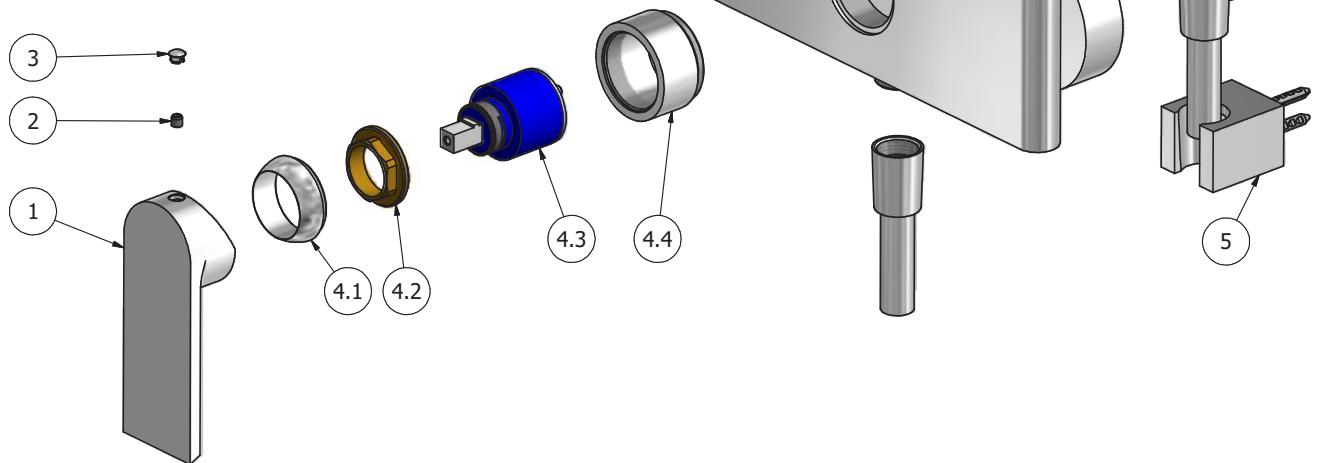
WWW.IBRUBINETTI.IT





# IB RUBINETTI

Elenco parti			
EL	CODICE	NUMERO DI MAGAZZINO	QT
1	AQ0013978	Handle Ø45 H26.5 L120.5	1
2	AQ0001100	Grubscrew M5x5 p.p.	1
3	AQ0006650	Plug cover Ø7	1
4	CPK2350CC -1	Preassembled shower mixer	1
4.1	AQ0003630	Cartridge ring nut cover M37x1.5	1
4.2	AQ0001040	Cartridge ring nut M37x1.5 H9	1
4.3	AQ0004095	Ceramic cartridge Ø35 Wout/D K 35 A	1
4.4	AC0011943	Ring Ø45.9 M37x1.5 M42x1.5 H26.2	1
4.5	AQ0014051	Complete shower body	1
5	AQ0012209	Shower support square ABS	1
6	AQ0010066	Chromalux hose L150	1
7	AQ0013639	Square hand shower OnAir	1



### WARRANTY

All IB Rubinetterie SpA products are warranted for 10 years from the date of purchase, for the following cases:

- Defects of casting, porosity and chrome plating.
- Operating defects caused by incorrect fabrication.

The warranty provides for repair or replacement of products with fabrication defects recognized by our technical office. There is no other type of compensation anche the merchandise must be returned FOB our warehouse. The warranty only cover surface defects (scatches, dings, etc.) on fitting that have not been installed and used, returned in its original packaging with all components. O-ring, gasket seals and components subject to wear proportional to use are warranted for 2 years.

### The warranty is void in the following cases:

Error installing and putting the product into service.

Deterioration of finished surfaces due to use of cleaning products containing acids or abrasive substances. Deterioration of surface with finishes other than chrome plating. Their durability is, in fact, dependent on the user's care and gentleness of use.

Deterioration of the fitting due incorrect installation.

Improper repairs and maintenance performed without the company's prior authorization.

The warranty from IB Rubinetterie SpA is not renewable.

### Cleaning

We recommended cleaning the finish surfaces with water and soap, using a soft cloth.

Do not use detergents that contain hydrochloric acid or abrasive substances.

