

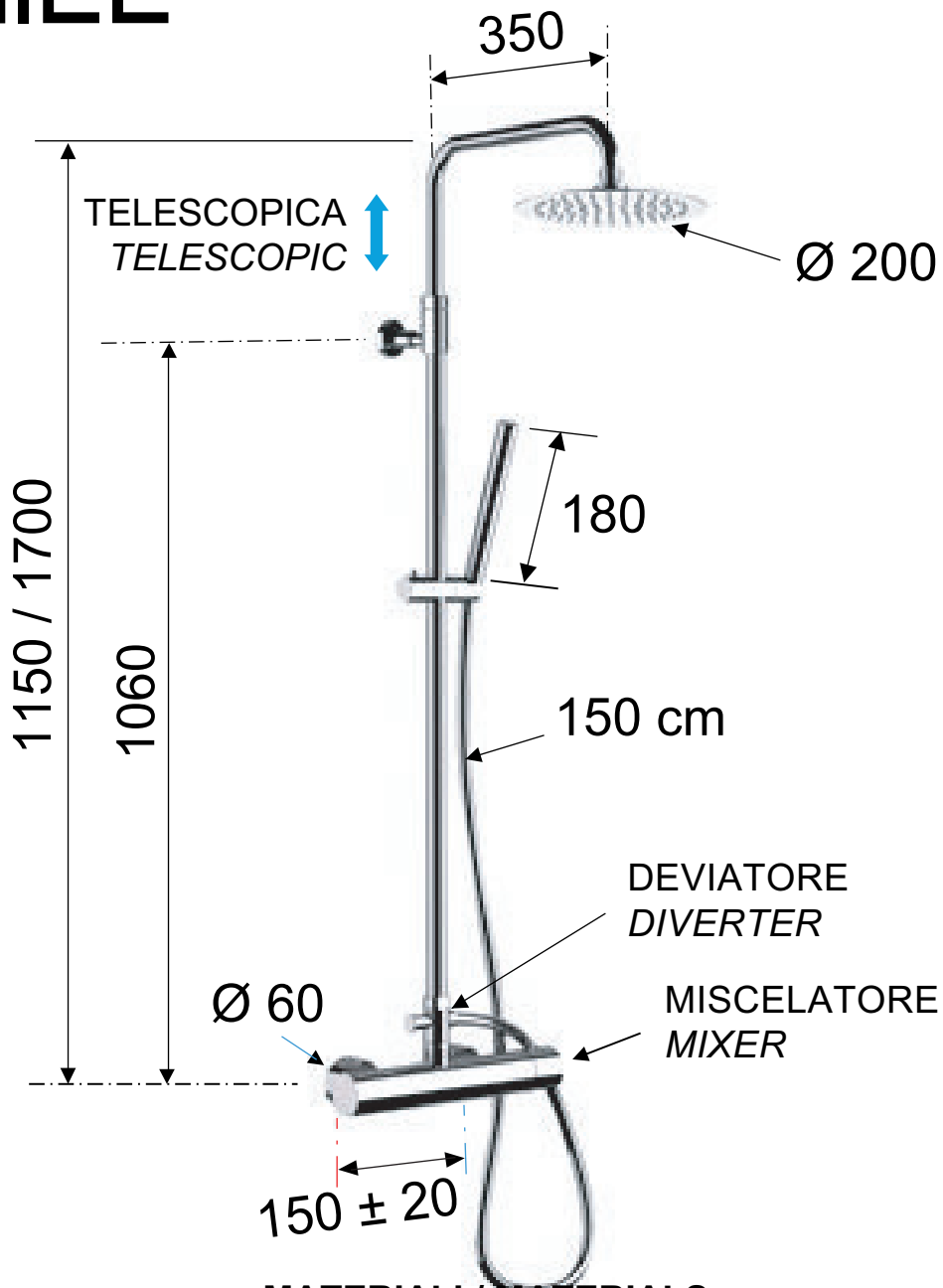


DANIEL

SCHEDA TECNICA TECHNICAL FEATURES

ART. COD.

S636RA4357820



MATERIALI / MATERIALS

OTTONE CROMATO / CHROME PLATED BRASS
ACCIAIO INOX / STAINLESS STEEL - SILICONE

CROMATURA / CHROME PLATING

UNI EN 248