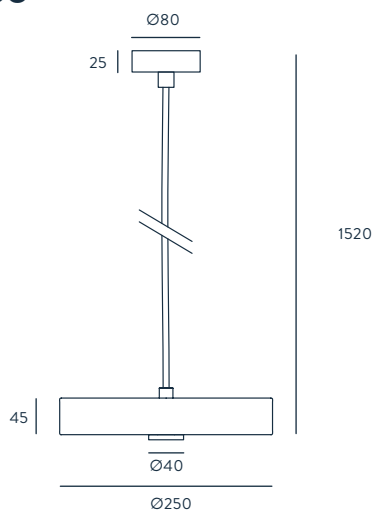


AMBOR

DESIGNED BY PEPE FORNAS / 2019

C1283



ACABADOS

CUERPO	TULIPA/BASE	DIFUSOR
NEGRO MATE	NEGRO MATE	OPAL
NEGRO MATE	ORO MATE	OPAL

MATERIALES

ACERO / ACRÍLICO

ESPECIFICACIONES (UE)

BOMBILLAS G9 LED
REGULABLES (INCLUIDAS)
3 X 3 W, 3000 K, 540 LM
220-240 V, 50/60 HZ, IP20, CLASE I



CLASIFICACIÓN ENERGÉTICA

A ++

FINISHES

BODY	SHADE / BASE	DIFFUSER
MATT BLACK	MATT BLACK	OPAL
MATT BLACK	MATT BRASS	OPAL

MATERIALS

STEEL / GLASS

SPECIFICATIONS (UE)

G9 LED DIMMABLE
BULBS (INCLUDED)
3 X 3 W, 3000 K, 540 LM
220-240 V, 50/60 HZ, IP20, CLASS I



ENERGY LABEL

A ++