



WE ARE IB

Collection

KUSASI

Article

EKU399

Description

Free-standing bath filler with shower kit.

Built-in body to be purchased separately INC399.

Box Dimensions

1100x395x150 mm

Weight

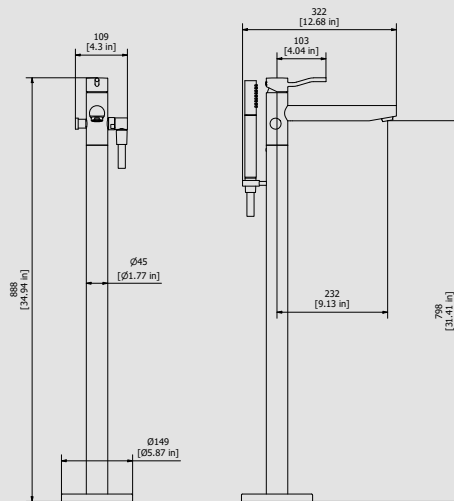
7.9 kg

Finishes

- CC** CHROME
- PL** PLATINUM
- SS** BRUSHED NICKEL
- ON** NATURAL BRASS
- BO** MATT WHITE
- NP** MATT BLACK
- CF** BLACK CHROME
- CS** BRUSHED BLACK CHROME
- II** PALE GOLD
- IS** BRUSHED PALE GOLD
- RS** ROSE GOLD
- SR** BRUSHED ROSE GOLD
- OO** GOLD
- OS** BRUSHED GOLD
- RR** ANTIQUE COPPER
- BB** ANTIQUE BRONZE



Dimensions



Cartridge

Ø35 ceramic cartridge

Threaded fitting

Aerator

M24X1

Flow Rate (+/-10%)

1 BAR
11.2 l/m

2 BAR
16 l/m

3 BAR
19.5 l/m

Production

Main body is a machined from a solid pieces

Material

BRASS
According to CuZn42 (CW510L)
Max Lead content: 0.2%

IB RUBINETTERIE s.p.a
via dei Pianotti 3/5
25068 Sarezzo (BS) - Italy -

T. +39 030 802101
F. +39 030 803097
info@weareib.it

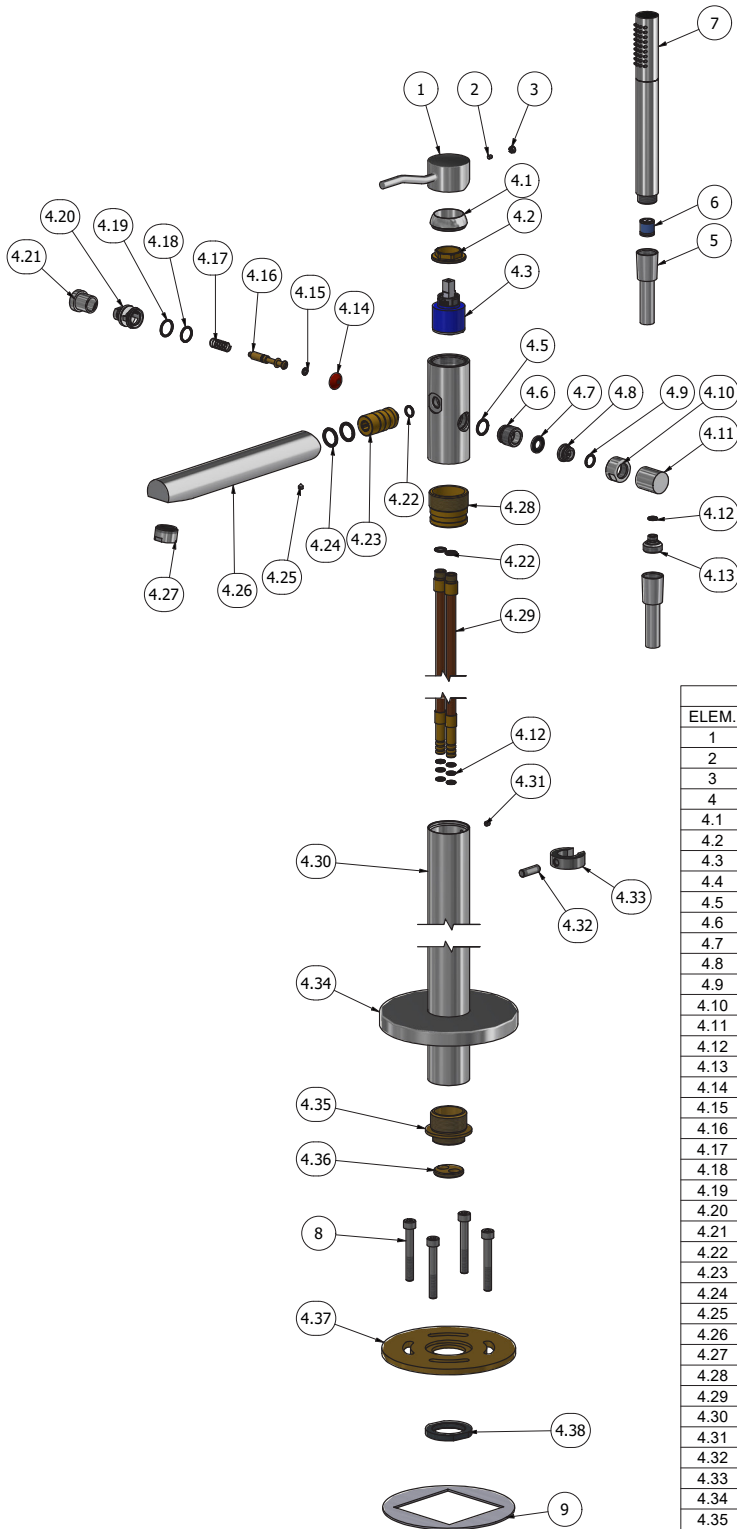
P.IVA 01785230986
capitale sociale
€420.000,00 i.v.

www.weareib.it





WE ARE IB



Parts list			
ELEM.	CODE	DESCRIPTION	QTÀ
1	AQ0009475	Kusasi zamak lever Ø45 L125	1
2	AQ0001080	Grubscrew M4x4 flat point	1
3	AQ0006650	Plug cover Ø7	1
4	CPKU399CC-21	Preassembled free-standing bath filler mixer	1
4.1	AQ0003630	Cartridge ring nut M37x1.5	1
4.2	AQ0001040	Cartridge ring nut M37x1.5 H9	1
4.3	AQ0014816	Ceramic cartridge Ø35 (KN-35A)	1
4.4	AC0012440	Mixer body Ø45 H110	1
4.5	AQ0001390	OR 14x2 NBR 70 SH	1
4.6	AC0011892	Shower connection piece G1/2" M19x1 H19	1
4.7	AQ0003080	Rubber G1/2"	1
4.8	AC0009332	Insert M15x1 H10	1
4.9	AQ0001350	OR 11.11x1.78 NBR 70 SH	1
4.10	AC0010193	Nut for shower's seat	1
4.11	AC0012349	L elbow Ø24 M15x1 M10x1 L26	1
4.12	AQ0001330	OR 6.75x1.78 NBR 70 SH	7
4.13	AC0012348	Connection M10x1 G1/2" L17	1
4.14	AQ0000340	Biconic packaging NBR 60SH 18 x 9,6	1
4.15	AQ0001410	OR 4.2x1,9 NBR 70 SH	1
4.16	AS0012435	Rod for diverter	1
4.17	AQ0001300	Spring F 0,6 D.E. 9,8 Sp.	1
4.18	AQ0009818	OR 14x1.78 NBR 70 SH	1
4.19	AQ0004600	OR 15.6x1.78 NBR 70 SH	1
4.20	AC0012436	Diverter body	1
4.21	AC0010455	Diverter knob Ø23 x 18,5 H.22,6	1
4.22	AQ0004180	OR 9.25x1.78 NBR 70 SH	3
4.23	AS0011432	Insert M12x1 Ø22.3 L46	1
4.24	AQ0009891	OR 15.88x2.62 NBR 70 SH	2
4.25	AQ0009729	Grubscrew M5x5 cone point	1
4.26	AC0011433	Spout Ø32 L227,5	1
4.27	AQ0009067	Neostrahl M24X1 (01.9664.1)	1
4.28	AS0012699	Insert M42x1.5 Ø40 L35	1
4.29	AS0012688	Pipe M12x1 L817	2
4.30	AC0015993	Pipe Ø45 L740 M39x1.5 F	1
4.31	AQ0009541	Grubscrew M5x4 flat point	1
4.32	AC0016212	Rod M8x1 H25	1
4.33	AC0010597	Shower support	1
4.34	AQ0015156	Round carter Ø149 Ø45.5 H15.5	1
4.35	AS0016991	Insert Ø50 M36x1 M M39x1.5 M H33	1
4.36	AS0016997	Pipe guide M32x1 H5	1
4.37	AS0015991	Flange Ø144 Ø36.2 H6.5	1
4.38	AS0013152	Nut Ø50 M36X1F H6 CH.46	1
5	AQ0010066	Supreme chromalux flexible hose	1
6	AQ0006576	No return valve Ø15 (31.4015.00001)	1
7	AQ0013557	Onair hand shower	1
8	AQ0016200	Inox screw TCEI M8x60 DIN912	4
9	AQ0015889	Rubber packing double-sided Ø142 H2	1



WARRANTY

All IB Rubinetterie SpA products are warranted for 10 years from the date of purchase, for the following cases:

- Defects of casting, porosity and chrome plating.
- Operating defects caused by incorrect fabrication.

The warranty provides for repair or replacement of products with fabrication defects recognized by our technical office. There is no other type of compensation anche the merchandise must be returned FOB our warehouse. The warranty only cover surface defects (scatches, dings, etc.) on fitting that have not been installed and used, returned in its original packaging with all components. O-ring, gasket seals and components subject to wear proportional to use are warranted for 2 years.

The warranty is void in the following cases:

Error installing and putting the product into service.

Deterioration of finished surfaces due to use of cleaning products containing acids or abrasive substances. Deterioration of surface with finishes other than chrome plating. Their durability is, in fact, dependent on the user's care and gentleness of use.

Deterioration of the fitting due incorrect installation.

Improper repairs and maintenance performed without the company's prior authorization.

The warranty from IB Rubinetterie SpA is not renewable.

Cleaning

We recommended cleaning the finish surfaces with water and soap, using a soft cloth.

Do not use detergents that contain hydrochloric acid or abrasive substances.

