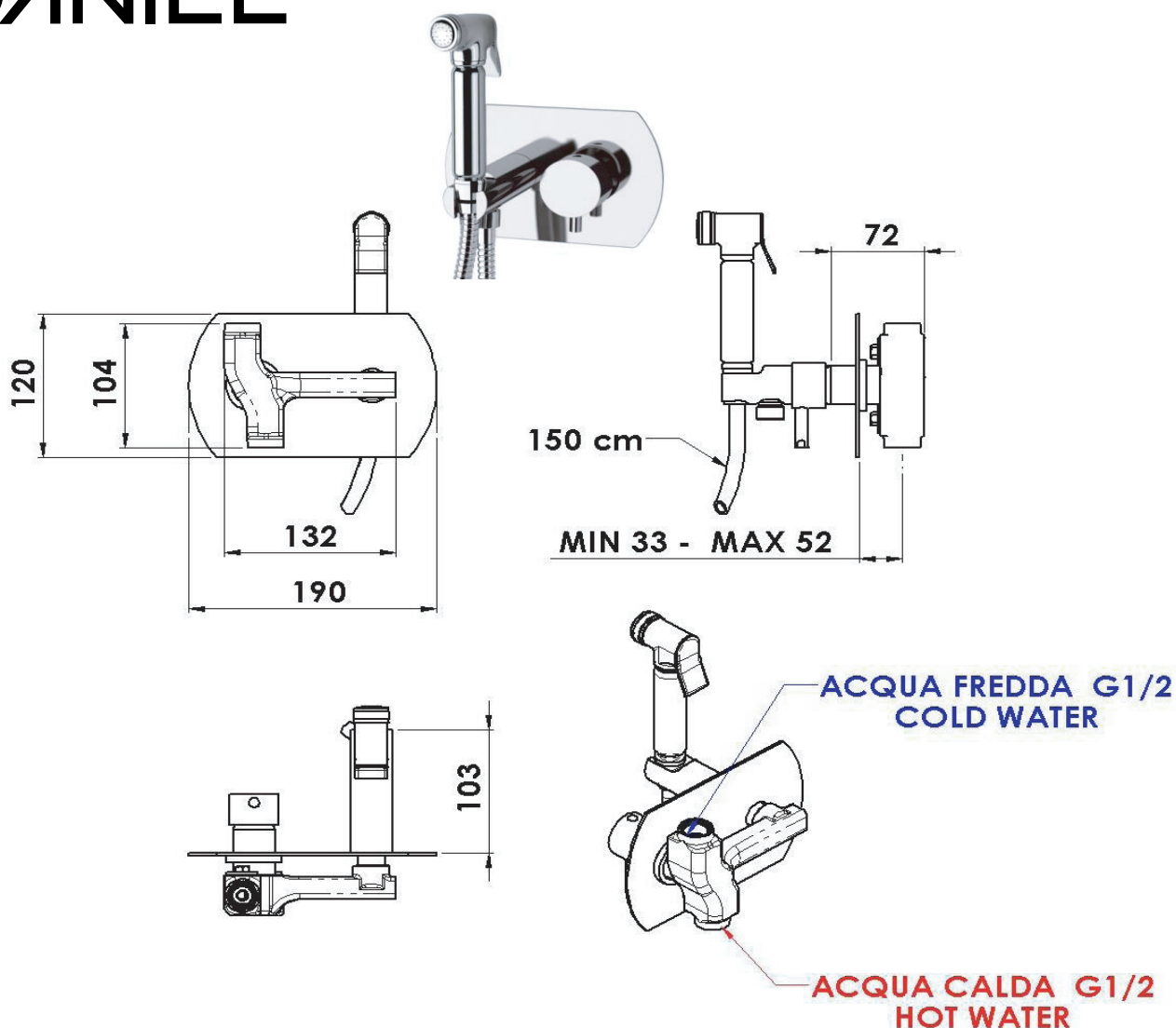


ART. COD.

S20642



PRESSIONE / PRESSURE	1	2	3	4	5	bar l/min
PORTATA MAX / MAX FLOW	8	10	12	14	16	

MATERIALI / MATERIALS

OTTONE CROMATO / CHROME PLATED BRASS

CROMATURA / CHROME PLATING

UNI EN 248