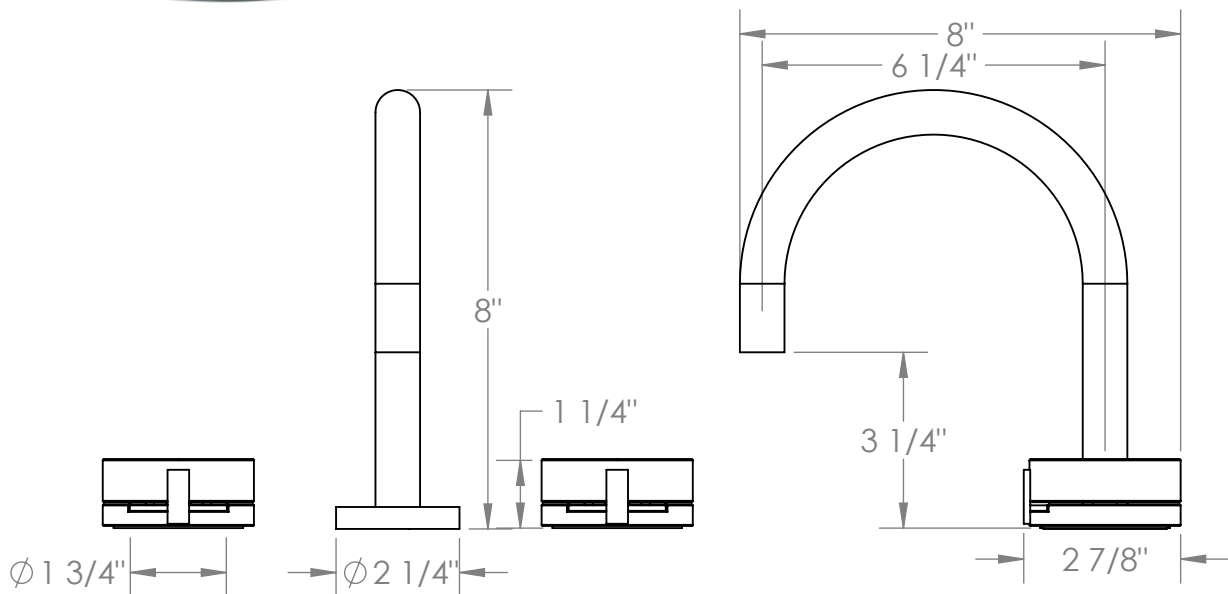


**21-2S-E2**

Deck Mounted 3 Hole Lavatory Set with Short Spout

Includes MPU5 soft touch drain with overflow

Flow Rate: 1.2 GPM



Meets the applicable requirements of ASME A112.18.1-2005/CSA B125.1-05, entitled "Plumbing Supply Fittings"