

Walraven VibraTek® MR-L Rubber Levelling Mount

Rubber mount with M10 connection for equipment isolation and levelling

Walraven VibraTek® MR-L 3000/M10

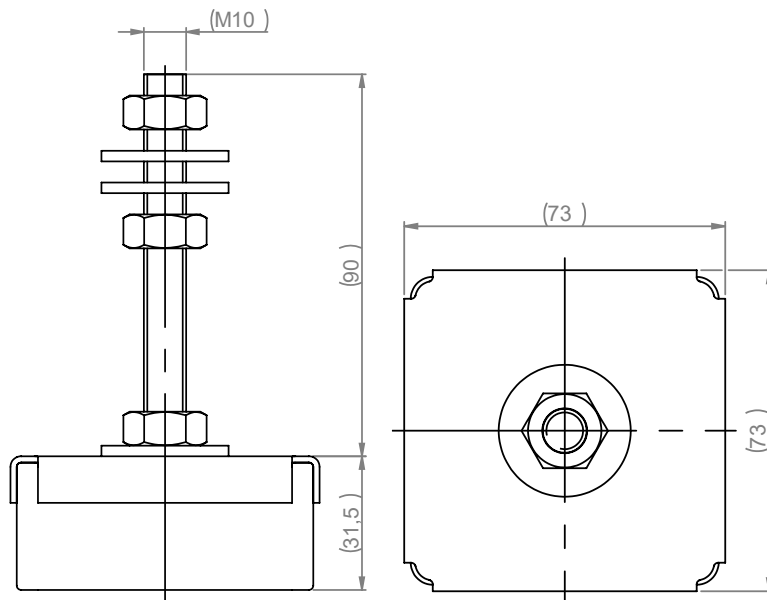
Features and benefits



- Rubber isolator with DIN 934 nuts and DIN 9012 washers included in delivery for mounting and levelling equipment
- Simple to install and does not need to be fixed to the supporting structure
- Recommended for machinery with working speeds above 2500 RPM, providing a degree of vibration insulation from 75% to 80%
- Metal and rubber parts can be separated for recycling

Technical Drawing

Applications



- Outdoor air conditioning units, axial and radial fans, vertical air conditioning equipment, motors and pumps, pipe sections, compressors, electrical panels

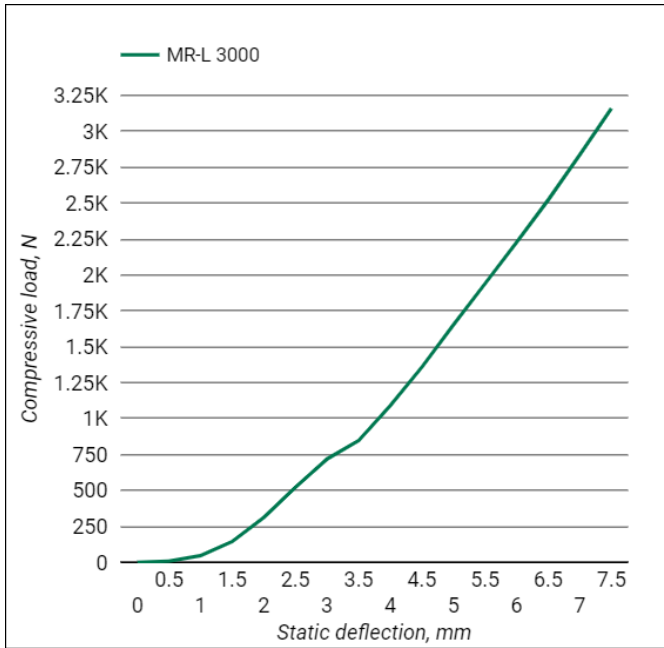
1. Product and packaging details

Article	Description	Dimension	Piece		Pack 1	
			[pcs]	EAN13	[pcs]	EAN13
2800103000	MR-L Rubber Levelling Mount	3000/M10	1	8719942045094	50	8719942045100

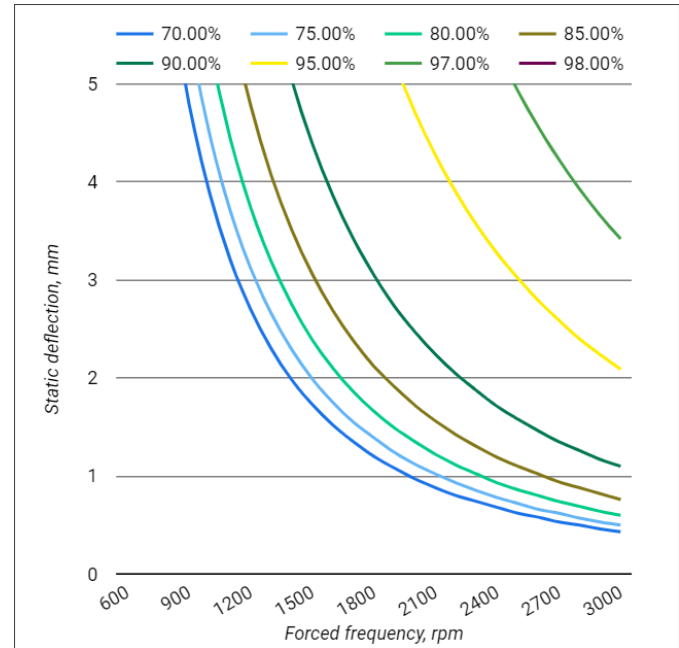
2. Performance data

Article	Description	Dimension	Max. Deflection	Min. load	Max. load	Min. optimal load	Max. optimal load
			[mm]	[N]	[N]	[N]	[N]
2800103000	MR-L Rubber Levelling Mount	3000/M10	7.5mm	20	3000	100	2500

2.1 Static deflection



2.2 Isolation efficiency



3. Dynamic properties

Description	Value
Damping factor	0.03
Maximum transient overload % on maximum load	100 %
Working temperature	-20° C to +90 °C