

RYOBI®

RST36B51

ORIGINAL INSTRUCTIONS
TRADUCTION DES INSTRUCTIONS ORIGINALES
ÜBERSETZUNG DER ORIGINALANLEITUNG
TRADUCCIÓN DE LAS INSTRUCCIONES ORIGINALES
TRADUZIONE DELLE ISTRUZIONI ORIGINALI
VERTALING VAN DE ORIGINELE INSTRUCTIES
TRADUÇÃO DAS INSTRUÇÕES ORIGINAIS
OVERSÆTTELSE AF DE ORIGINALE INSTRUKTIONER
ÖVERSÄTTNING AV DE URSPRUNGLIGA INSTRUKTIONERNA
ALKUPERÄISTEN OHJEIDEN SUOMENNOS
OVERSETTELSE AV DE ORIGINALE INSTRUKSJONENE
ПЕРЕВОД ОРИГИНАЛЬНЫХ ИНСТРУКЦИЙ
TŁUMACZENIE INSTRUKCJI ORYGINALNEJ
PŘEKLAD ORIGINÁLNÍCH POKYNŮ
AZ EREDETI ÚTMUTATÓ FORDÍTÁSA
TRADUCEREA INSTRUCȚIUNILOR ORIGINALE
TULKOTS NO ORIĢINĀLĀS INSTRUKCIJAS
ORIGINALIŲ INSTRUKCIJŲ VERTIMAS
ORIGINAALJUHENDI TÕLGE
PRIJEVOD ORIGINALNIH UPUTA
PREVOD ORIGINALNIH NAVODIL
PREKLAD ORIGINÁLNYCH POKYNOV
ПРЕВОД ОТ ОРИГИНАЛНИТЕ ИНСТРУКЦИИ
ПЕРЕКЛАД ОРИГИНАЛЬНИХ ІНСТРУКЦІЙ



EN
FR
DE
ES
IT
NL
PT
DA
SV
FI
NO
RU
PL
CS
HU
RO
LV
LT
ET
HR
SL
SK
BG
UK





Important!	It is essential that you read the instructions in this manual before assembling, maintaining and operating the product.
Attention!	Il est essentiel que vous lisiez les instructions contenues dans ce manuel avant d'assembler, d'entretenir et d'utiliser le produit.
Achtung!	Es ist wichtig, dass Sie vor Zusammenbau, Wartung und Benutzung des Produktes die Anweisungen in dieser Anleitung lesen.
¡Atención!	Resulta fundamental que lea este manual de instrucciones antes de realizar el montaje, el mantenimiento y de utilizar este producto
Attenzione!	E' importante leggere le istruzioni contenute nel presente manuale prima di montare il prodotto, svolgere le operazioni di manutenzione sullo stesso e metterlo in funzione.
Let op!	Het is van essentieel belang dat u de instructies in deze gebruiksaanwijzing leest voor u het product monteert, onderhoudt en gebruikt.
Atenção!	É fundamental que leia as instruções deste manual antes da montagem, manutenção e operação do aparelho.
OBS!	Det er vigtigt, at man læser instrukserne i denne brugsanvisning, inden man samler, vedligeholder og betjener produktet.
Observera!	Det är viktigt att du läser instruktionerna i manualen före montering, användning och underhåll av produkten.
Huomio!	On tärkeää, että luet tämän käsikirjan ohjeet ennen tuotteen kokoamista, huoltoa ja käyttöä.
Advarsel!	Det er viktig at du leser instruksjonene i denne manualen før sammensetning, vedlikehold og bruk av produktet
Внимание!	Необходимо прочитать инструкции в данном руководстве перед сборкой, обслуживанием и эксплуатацией этого изделия.
Uwaga!	Koniecznienależyprzeczytaćinstrukcjezawartewtym podręczniku przed montażem, obsługą oraz konserwacją produktu.
Důležitostě upozornění!	Neinstalujte, neprovádějte údržbu ani nepoužívejte tento výrobek dříve, než si přečtete pokyny uvedené v tomto návodu.
Figyelem!	Fontos, hogy a termék összeszerelése, karbantartása és használatá elött elolvassa a kézikönyvben található utasításokat.
Atenție!	Este esențial să citiți instrucțiunile din acest manual înainte de asamblare, efectuarea întreținerii și operarea produsului.
Uzmanību!	Ir svarīgi izlasīt šīs rokasgrāmatas instrukcijas pirms uzstādīšanas, apkopes un precas darbināšanas.
Dėmesio!	Prieš surenkant, prižiūrint ir naudojant gaminį, būtina perskaityti šiame vadove pateiktus nurodymus.
Tähtis!	Enne masina kokkupanekut, hooldamist ja kasutama hakkamist tuleb käesolevas juhendis esitatud juhised kindlasti läbi lugeda.
Upozorenje!	Vrlo je važno da ste prije sklapanja, održavanja i rada s ovim proizvodom pročitali upute u ovom priručniku.
Pomembno!	Pomembno je da pred montažo vzdrževanjem in uporabo tega izdelka preberete navodila v tem priročniku.
Upozornenie!	Je dôležitě, aby ste si pred montážou, údržbou a obsluhou produktu prečítali pokyny v tomto návode.
Важно!	Изключително важно е да прочетете инструкциите в настоящото ръководство, преди да преминете към сглобяване, поддръжка или работа с продукта.
Важливо!	Дуже важливо, щоб ви прочитали інструкції в цьому керівництві перед складанням, обслуговуванням та експлуатацією цієї машини.

Subject to technical modification | Sous réserve de modifications techniques | Technische Änderungen vorbehalten | Bajo reserva de modificaciones técnicas | Con riserva di eventuali modifiche tecniche | Technische wijzigingen voorbehouden | Com reserva de modificações técnicas | Med forbehold for tekniske ændringer | Med förbehåll för tekniska ändringar | Tekniset muutokset varataan | Med forbehold om tekniske endringer | могут быть внесены технические изменения | Z zastrzeżeniem modyfikacji technicznych | Změny technických údajů vyhrazeny | A műszaki módosítás jogát fenntartjuk | Sub rezerva modificățiilor tehnice | Paturam tiesības mainīt tehniskos raksturlielumus | Pasiliekan teisę daryti techninius pakeitimus | Tehnilised muudatused võimalikud | Подлежно техничким промјенама | Tehnične spremembe dopuščene | Právo na technické zmeny je vyhradené | Подлежи на технически модификации | Є об'єктом для технічних змін



Safety, performance, and dependability have been given top priority in the design of your cordless snow thrower.

INTENDED USE

The cordless snow thrower is only intended for use outdoors in a well-illuminated area by a standing operator walking behind the product. The snow thrower is intended to be used only by adults who have read and understood the instructions and warnings in this manual and can be considered responsible for their actions. For safety reasons, the product must be adequately controlled by using a two-handed operation at all times.

The product is designed for clearing snow in areas, such as driveways, sidewalks, walkways, pathways, roadways, and around houses. The product can move snow with depth of up to 25 cm.

The product should never be operated with the wheels off the ground. It should not be ridden on. The product should only be used as described in this manual and should not be used for any other purpose.

GENERAL SAFETY RULES

⚠ WARNING

When using the product, the safety rules must be followed. For your own safety and that of bystanders, please read these instructions before operating the product. Please keep the instructions safe for later use.

⚠ WARNING

The product should only be operated with the battery pack. When using battery-operated products, basic safety precautions should always be followed to reduce the risk of fire, leaking batteries and personal injury.

TRAINING

- Read and understand the instructions and safety warnings. Be familiar with the controls and the correct use of the machine.
- Never allow children or people with reduced physical, sensory or mental capabilities, or people unfamiliar with these instructions, to operate, clean or maintain the machine.

Local Regulations may restrict the age of the operator. Children should be adequately supervised to ensure they do not play with the machine.

- Keep in mind, that the operator or user is responsible for accidents or hazards occurring to other people or their property.
- Keep bystanders, children and pets 15m away from the area of operation. Stop the machine if anyone enters the area.
- Never use the machine when you are tired, ill or under the influence of alcohol, drugs or medicine.
- Exercise caution to avoid slipping or falling, especially when operating in reverse.

PREPARATION

- Thoroughly inspect the area where the machine is to be used and remove all doormats, sleds, boards, wires, and other foreign objects.
- While operating the machine always wear adequate winter garments and non-skid safety footwear. Avoid wearing clothing that is loose fitting or that has hanging cords or ties; they can be caught in moving parts.
- Secure long hair so it is above shoulder level to prevent entanglement in moving parts.
- Wear full eye protection at all times while operating this machine. The manufacturer strongly suggests a full face mask or fully enclosed goggles. Normal spectacles or sun glasses are not adequate protection. Objects can be thrown at high speed and may rebound from hard surfaces toward the operator. Dust mask, hard hat, or hearing protection must be used for appropriate conditions.
- Ensure before each use that all controls and safety devices function correctly. Do not use the tool if the "off" switch does not stop the machine.
- Before each use, always visually inspect to see, that the housing is undamaged and that guards and handles are in place and properly secured.
- Bring the product to an authorised service centre to replace damaged or unreadable labels.
- Let the machine adjust to outdoor

temperatures before starting to clear snow.

BATTERY TOOLS USE AND CARE

- Read, understand and always follow the safety instructions which came with your battery and charger. Failure to do so may result in electric shock, fire or other hazardous situations. Keep all the instructions together in a safe place for future reference.
- Battery-operated machine do not have to be plugged into an electrical outlet; therefore, they are always in operating condition. Remove the battery pack before making any adjustments, cleaning, or removing material from the product
- A battery pack must be recharged only with the charger specified by the manufacturer. Using a charger with an incompatible battery pack may create a risk of fire. Use only the charger listed in the instructions.
- Use only the battery pack intended specifically for the machine. Use of any other battery packs may result in a risk of fire, electric shock, or injury to persons.
- When battery pack is not in use, keep it away from other metal objects like, paper clips, coins, keys, nails, screws, or other small metal objects, that can make a connection from one terminal to another. Shorting the battery pack terminals together may cause sparks, burns, fire or explosion.
- Do not place battery products or their batteries near fire or heat. This increases the risk of explosion and possibly injury.
- Do not open or mutilate the battery pack. Released electrolyte is corrosive and may cause damage to the eyes or skin. It may be toxic if swallowed.
- Protect the battery pack against moisture and water. Do not charge the product in a damp or wet location. Following this rule will reduce the risk of electric shock.
- In case of damage and improper use of the battery, vapour may be emitted. Provide for fresh air and seek medical help in case of complaints. The vapour can irritate the respiratory system.
- Do not leave the battery pack inside a vehicle in hot or cold conditions.
- The Lithium-ion battery pack can be used in temperatures down to -20°C. Put the

battery pack on the product and use the product in a light duty application. After about a minute, the pack will have warmed up and begin operating normally.

- Do not incinerate the battery. When the battery is beyond its useful life, dispose of it correctly according to the local regulations in your area.
- Under abusive conditions, liquid may be ejected from the battery; avoid contact. If contact accidentally occurs, flush with water. If liquid contacts eyes, additionally seek medical help. Liquid ejected from the battery may cause irritation or burns.

CORDLESS SNOW THROWER SAFETY RULES

- Do not put hands or feet near or under rotating parts.
- Stay alert, watch what you are doing and use common sense when operating the product. A moment of inattention while operating snow thrower may result in serious personal injury.
- Exercise extreme caution when operating on or crossing gravel drives, paths, or roads. Stay alert for hidden hazards or traffic.
- Never operate the machine at high transport speeds on slippery surfaces. Use care when reversing.
- Never direct discharge at bystanders or allow anyone in front of the product.
- Do not clear snow across the face of slopes. Exercise extreme caution when changing direction on slopes. Do not attempt to clear steep slopes.
- Never operate the product without proper guards, plates or other safety protective devices in place.
- Never operate the product near glass enclosures, automobiles, windows, or doorways without proper adjustment of the snow discharge angle. Keep children and pets away.
- Never place the product on any surface, except a hard clean surface when motor is running. Gravel, sand, and other debris can be picked up by the air inlet and thrown at the operator or bystanders, causing possible serious injuries.
- Do not overload the machine capacity by



EN
FR
DE
ES
IT
NL
PT
DA
SV
FI
NO
PL
RU
CS
HU
RO
LV
LT
ET
HR
SL
SK
BG
UK

attempting to clear snow at too fast a rate.

- Use the machine in a well-illuminated area and look out for obstacles or hazards illuminated by the machines headlights.
- Do not use the product when there is a risk of lightning.
- Keep clear of the discharge opening at all times. Do not put any objects into openings.
- Do not operate the product in explosive atmospheres, such as in the presence of flammable liquids, gases, or dust.
- Keep firm footing and balance. Do not overreach. Overreaching can result in loss of balance.
- Always be sure of the footing on slopes and walk, never run.
- Do not modify the product in any way or use parts and accessories which are not recommended by the manufacturer.
- Never attempt to make any adjustments while the motor is running, except where specifically recommended by manufacturer.

⚠ WARNING

If the product is dropped, suffers heavy impact or begins to vibrate abnormally, immediately stop the product and inspect for damage or identify the cause of the vibration. Any damage should be properly repaired or replaced by an authorised service centre.

- To reduce the risk of injury associated with contacting rotating parts, always stop the product, remove the battery pack, make sure all moving parts have come to a stop:
 - before cleaning or clearing a blockage
 - before leaving the product unattended
 - before checking, conducting maintenance, or working on the product
 - after striking a foreign object to inspect the product for damage
 - if the product starts to vibrate abnormally

OPERATION TIPS

- The product will not operate if the upper handle is not properly fitted and the handle lock clip is not securely clipped. There are two safety interlocks to help to prevent accidental start when the machine is not

correctly assembled.

- Take notice of the direction of the wind before operating the machine. Discharge snow in the same direction as the wind to prevent snow from being thrown back into your face.
- When finished, allow the motor to run for an additional few minutes, then turn the chute rotation lever back and forth several times to remove any remaining snow from the chute.

TRANSPORTATION AND STORAGE

- Stop the machine, remove the battery pack and allow it to cool before storing or transporting.
- Clean all foreign material from the machine. Store it in a cool dry and well-ventilated place that is inaccessible to children. Keep away from corrosive agents such as garden chemicals and de-icing salts. Do not store outdoors.
- For transportation, secure the machine against movement or falling to prevent injury to persons or damage to the machine.

MAINTENANCE

⚠ WARNING

Use only original manufacturer's replacement parts, accessories and attachments. Failure to do so can cause possible injury, poor performance and may void your warranty.

⚠ WARNING

Servicing requires extreme care and knowledge and should be performed only by a qualified service technician. Bring the product to your nearest authorised service centre for repair. When servicing, use only identical replacement parts.

- You may make adjustments and repairs described here. For other repairs, contact the authorised service agent.
- After each use, clean the machine with a soft dry cloth.
- Check all nuts, bolts and screws at frequent intervals for proper tightness to ensure the machine is in safe working condition. Any



part that is damaged should be properly repaired or replaced by an authorised service centre.

CLEARING A BLOCKAGE

⚠ WARNING

Never put your hands or feet into the front of the product or the discharge chute to avoid serious injuries.

- Release the trigger, and remove the battery pack.
- Make sure all moving parts have come to a stop.
- Use a wooden pole to remove the blockage.
- Turn the impeller assembly using the wooden pole.
- Beware, the impeller may move by itself during blockage removal due to stored energy in the mechanism.
- Once the impeller can be turned by the wooden pole, move to the rear of the product.
 - It is normal for the impeller mechanism to have stepped-movement.
- Make sure that it is safe to continue snow clearing.
- Install the battery pack. Turn on the product.

RESIDUAL RISK

Even when the machine is used as prescribed, it is still impossible to completely eliminate certain residual risk factors. The following hazards may arise in use and the operator should pay special attention to avoid the following:

- Injury caused by noise
 - Wear ear protection and limit exposure.
- Injury from flying objects thrown up and forward from the rotating impeller at the front of the machine or from the snow chute.
 - Wear adequate eye protection at all times.

KNOW YOUR PRODUCT

See page 133.

1. Upper handle

2. On/off trigger
3. Trigger lock off button
4. Motor control cable
5. Chute rotation lever
6. Handle lock clip
7. Chute rotation shaft
8. Chute deflector handle
9. Chute deflector
10. LED lights
11. Impeller
12. Intermediate handle
13. Handle adjustment knob
14. Lower handle
15. Carrying/Lifting handle
16. Storage battery compartment
17. In use battery compartment
18. Battery pack
19. Battery charger

SYMBOLS ON THE PRODUCT



Read and understand all instructions before operating the product, follow all warnings and safety instructions.



Beware of thrown or flying objects. Keep all bystanders, especially children and pets, at least 15 m away from the operating area



Wear eye protection.



DANGER! Avoid injury from rotating impeller. Keep hands, feet and clothing away.



DANGER! Remove the battery and read the instructions in the manual before clearing a blockage. Keep hands and feet well away from the front of the machine and the discharge chute.



Waste electrical products should not be disposed of with household waste. Please recycle where facilities exist. Check with your local authority or retailer for recycling advice.



Conforms to all regulatory standards in the country in the EU where the product is purchased.



EurAsian Conformity Mark



Ukrainian mark of conformity



The guaranteed sound power level is 86 dB.



Push and hold



Squeeze and hold to operate



Storage battery compartment



In use battery compartment

CAUTION

Without safety alert symbol
Indicates a situation that may result in property damage.

SYMBOLS IN THIS MANUAL



Parts or accessories sold separately



Note



Warning



Lock



Unlock

The following signal words and meanings are intended to explain the levels of risk associated with the product:

The following signal words and meanings are intended to explain the levels of risk associated with the product.

⚠ DANGER

Indicates an imminently hazardous situation, which, if not avoided, will result in death or serious injury.

⚠ WARNING

Indicates a potentially hazardous situation, which, if not avoided, could result in death or serious injury.

⚠ CAUTION

Indicates a potentially hazardous situation, which, if not avoided, may result in minor or moderate injury.

La plus grande priorité a été donnée à la sécurité, aux performances et à la fiabilité de votre chasse-neige sans-fil lors de sa conception.

UTILISATION PRÉVUE

Ce chasse-neige sans-fil est prévue pour n'être utilisée qu'à l'extérieur sous un bon éclairage par un opérateur se tenant debout et marchant derrière le produit. Ce chasse-neige ne doit être utilisé que par un adulte qui a lu et compris les instructions et avertissements de ce manuel et qui peut être considéré comme responsable de ces actes. Pour des raisons de sécurité, le produit doit être en permanence contrôlé des deux mains.

Ce produit est destiné à déblayer la neige de surfaces telles que les allées, les trottoirs, les chemins, les sentiers, les routes, et autour des maisons. Ce produit peut déblayer la neige d'une épaisseur pouvant atteindre 25 cm.

Le produit ne doit jamais être utilisé sans que les roues ne touchent le sol. On ne doit pas monter dessus pour se faire tracter. Ce produit ne doit être utilisé que de la façon décrite dans ce manuel, il ne doit pas être utilisé dans un autre but.

RÈGLES GÉNÉRALES DE SÉCURITÉ

⚠ AVERTISSEMENT

Suivez les règles de sécurité lorsque vous utilisez le produit. Pour votre sécurité et celle des passants, veuillez lire ces instructions avant d'utiliser le produit. Veuillez conserver ce manuel pour vous-y reporter dans le futur.

⚠ AVERTISSEMENT

Ce produit ne peut être utilisé qu'avec le pack batterie. Lors de l'utilisation de machines alimentées par batterie, il convient de respecter certaines précautions de sécurité de base afin de réduire les risques d'incendie, de fuite de batterie et de blessures.

ENTRAÎNEMENT

- Lisez et comprenez les instructions et les avertissements de sécurité. Familiarisez-vous avec les commandes du produit ainsi qu'avec sa correcte utilisation.

- Ne laissez jamais les enfants ou les personnes aux capacités physiques, sensorielles ou mentales réduites, ni les personnes non familiarisées avec ces instructions utiliser, nettoyer ou entretenir le produit. Les lois locales peuvent imposer un âge minimum à l'opérateur. Les enfants doivent être bien surveillés afin de s'assurer qu'ils ne jouent pas avec le produit.
- Gardez à l'esprit que l'opérateur est responsable des accidents qui arrivent aux autres personnes présentes dans sa propriété.
- Gardez les passants, les enfants et les animaux éloignés d'au moins 15m de l'aire de travail. Arrêtez le produit lorsque quiconque pénètre dans l'environnement de travail.
- N'utilisez jamais le produit lorsque vous êtes fatigué, malade, ou sous l'influence de l'alcool, de drogues ou de médicaments.
- Procéder avec précautions pour éviter tous risque de glissade ou de chute, particulièrement lorsque vous reculez.

PRÉPARATION

- Vérifiez avec soin la zone où vous allez utiliser la machine, et retirez-en tous les paillasons, traîneaux, planches, câbles, et autres objets étrangers.
- Lors de l'utilisation de la machine, portez toujours des habits d'hiver adaptés et des chaussures antidérapantes. Évitez tout habillement ample ou comportant des cordons ou cravates qui pendent et seraient susceptibles d'être happés par les pièces en mouvement.
- Attachez les cheveux longs au-dessus du niveau des épaules afin d'éviter qu'ils ne se prennent dans les parties en mouvement.
- Portez une protection oculaire totale en permanence lorsque vous utilisez ce produit. Le fabricant recommande fortement le port d'un masque facial total ou de lunettes de protection complètement fermées. Des lunettes de vue ou de soleil ne constituent pas une protection adéquate. Des objets peuvent être projetés à haute vitesse à tout moment et peuvent rebondir sur des surfaces dures en direction de l'opérateur. Un masque anti-poussières, un casque de chantier, ou une protection auditive doivent être utilisés lorsque les

conditions l'exigent.

- Avant chaque utilisation assurez-vous que toutes les commandes et tous les organes de sécurité fonctionnent correctement. N'utilisez pas l'outil si son interrupteur "arrêt" est inopérant à arrêter le produit.
- Avant chaque utilisation, procédez toujours à une vérification visuelle afin de vous assurer que les carters n'ont pas été endommagés et que les protections et poignées sont en place et bien fixées.
- Apportez le produit à un service après-vente agréé pour le remplacement des étiquettes abîmées ou illisibles.
- Laissez la machine se mettre à la température extérieure avant de la mettre en marche pour dégager la neige.

UTILISATION ET ENTRETIEN DES OUTILS ALIMENTÉS PAR BATTERIE

- Lisez, comprenez et suivez toujours les instructions de sécurité qui accompagnent votre batterie et son chargeur. Le non respect de cette consigne pourrait entraîner une décharge électrique, un incendie ou autres situations dangereuses. Gardez toutes les instructions ensemble en lieu sûr pour vous-y reporter dans le futur.
- Les outils alimentés par batterie n'ont pas à être branchés sur le secteur; ils sont donc en permanence en état de fonctionner. Retirez le pack batterie avant toute opération de réglage, de nettoyage, ou de retrait de corps étrangers de l'appareil.
- Un pack batterie ne peut être rechargé qu'à l'aide du chargeur préconisé par le fabricant. L'utilisation d'un chargeur avec un pack batterie incompatible peut entraîner un risque d'incendie. N'utilisez que le chargeur listé dans les instructions.
- N'utilisez que le pack batterie spécifiquement prévu pour la machine. L'utilisation de tout autre pack batterie peut entraîner un incendie, une décharge électrique, ou des blessures.
- Lorsque le pack batterie n'est pas utilisé, éloignez-le des autres objets métalliques tels que trombones, pièces de monnaie, clés, clous, vis, ou autres petits objets susceptibles de court-circuiter les bornes de la batterie. La mise en court-circuit des bornes du pack batterie pourrait causer des étincelles, des brûlures, un incendie,

ou une explosion.

- Ne mettez pas les appareils alimentés par batterie ni leur batterie à proximité du feu ou d'une source de chaleur. Ceci augmente les risques d'explosion et de blessures.
- N'ouvrez pas et n'abîmez pas le pack batterie. Les fuites d'électrolyte sont corrosives et sont susceptibles de causer des dommages aux yeux ou à la peau. L'électrolyte peut être toxique en cas d'ingestion.
- Protégez le pack batterie de l'humidité et de l'eau. Ne rechargez pas une batterie en milieu humide. Vous réduirez ainsi les risques d'incendie, de choc électrique et de blessures corporelles.
- Si la batterie est endommagée ou utilisée de façon inappropriée, des vapeurs sont susceptibles d'être émises. Aérez les lieux et contactez un médecin en cas de gêne. Les vapeurs peuvent irriter le système respiratoire.
- Ne laissez pas le pack batterie dans un véhicule sous des conditions de température froides ou chaudes.
- Les batteries Ion-Lithium peuvent être utilisé a des températures inférieure a 20°C. Mettre en place la batterie et utiliser le produit pour des utilisations légères. Au bout d'environ une minute, le pack se sera réchauffé et fonctionnera normalement.
- N'incinerez pas la batterie. Lorsque la batterie est en fin de vie opérationnelle, jetez-la de façon correcte en respectant les dispositions légales de votre région.
- Sous des conditions abusives, du liquide peut être éjecté de la batterie, évitez d'entrer en contact avec ce liquide. En cas de contact accidentel, lavez à grande eau. Si du liquide entre en contact avec les yeux, consultez immédiatement un médecin. Le liquide éjecté de la batterie peut causer des irritations ou des brûlures.

RÈGLES DE SÉCURITÉ RELATIVES AU CHASSE-NEIGE SANS-FIL

- Ne mettez pas vos pieds ou vos mains sous les pièces en rotation ou à leur proximité.
- Restez vigilant, regardez ce que vous faites et faites preuve de bon sens lorsque vous utilisez l'appareil. Un moment d'inattention lors de l'utilisation du produit peut provoquer de graves blessures.

EN

FR

DE

ES

IT

NL

PT

DA

SV

FI

NO

RU

PL

CS

HU

RO

LV

LT

ET

HR

SL

SK

BG

UK



- Soyez extrêmement prudent lorsque vous opérez sur des allées, chemins ou routes en gravier ou lorsque vous les traversez. Restez alerte pour parer aux dangers cachés ou à la circulation.
- Ne jamais utiliser l'appareil à grande vitesse sur les surfaces glissantes. Faites attention quand vous reculez.
- Ne dirigez jamais l'évacuation vers des passants et ne laissez jamais personne se tenir en face du produit.
- Ne dégagez pas la neige à travers les pentes. Redoublez de vigilance lorsque vous changez de direction sur une pente. Ne tentez pas de déneiger les fortes pentes.
- N'utilisez jamais un produit dont les protections, platines, ou autres dispositifs de sécurité ne sont pas en place.
- N'utilisez jamais le produit à proximité d'enclos en verre, de voitures, de fenêtres, ou d'embrasures de portes sans avoir réglé l'angle d'évacuation de la neige en conséquence. Eloignez tous les passants de la zone de travail, en particulier les enfants et les animaux.
- Ne posez jamais le produit avec le moteur en marche sur une surface quelconque à moins qu'elle ne soit propre et dure. Le gravier, le sable, et autres débris peuvent être aspirés par l'entrée d'air et projetés vers l'opérateur ou les passants, risquant de provoquer de graves blessures.
- Ne surchargez pas la machine au-delà de ses capacités en tentant de dégager la neige trop vite.
- Utilisez la machine sous un bon éclairage et prenez garde aux obstacles ou dangers illuminés par les éclairages de machines.
- N'utilisez pas le produit en cas de risque d'éclair.
- Restez en permanence à l'écart de la trappe d'éjection. N'introduisez aucun objet dans les ouvertures de l'appareil.
- N'utilisez pas la machine en atmosphère explosive, comme en présence de liquides inflammables, de gaz ou de poussières.
- Gardez un bon appui et un bon équilibre. Ne pas se précipiter. Ne travaillez pas en extension, vous pourriez perdre l'équilibre.
- Ayez toujours un bon équilibre sur vos

pieds dans les pentes et marchez, ne courez jamais.

- Ne modifiez la machine d'aucune façon et n'utilisez pas de pièces ou accessoires non recommandés par le fabricant.
- Ne tentez pas de faire des réglages quand le moteur tourne, à l'exception de ceux recommandés par le constructeur.

⚠ AVERTISSEMENT

Si le produit est tombé, a subi un choc important ou se met à vibrer de façon anormale, arrêtez-le immédiatement et recherchez les dommages éventuels ou identifiez la cause des vibrations. Toute pièce endommagée doit être correctement remplacée ou réparée par un service après-vente agréé.

- Pour réduire le risque de blessures associées à l'entrée en contact avec les éléments en rotation, il convient de toujours arrêter le produit, de retirer le pack batterie, et de s'assurer que tous les éléments en mouvement se sont bien arrêtés :
 - avant de nettoyer ou de dégager la cause d'un blocage
 - lorsque vous laissez le produit sans surveillance
 - avant de travailler sur le produit, de le vérifier ou de l'entretenir
 - après avoir heurté un objet étranger afin de vérifier les dommages éventuels subis par le produit
 - si le produit se met à vibrer de façon anormale (vérifiez immédiatement)

CONSEILS D'UTILISATION

- Le produit ne fonctionnera pas si la poignée supérieure n'est pas bien en place et si le clip de verrouillage de la poignée n'est pas bien enclenché. Deux contacteurs de sécurité sont présents pour aider à éviter toute mise en marche accidentelle lorsque la machine n'est pas correctement assemblée.
- Prenez en compte la direction du vent avant d'utiliser la machine. Dégagez la neige dans la même direction que le vent afin qu'elle ne revienne pas vers votre visage.
- Une fois terminé, laissez le moteur



tourner pendant quelques minutes supplémentaires, puis tournez le levier de rotation du sens d'évacuation en avant et en arrière à plusieurs reprises afin de dégager toute neige résiduelle du conduit d'évacuation.

TRANSPORT ET STOCKAGE

- Arrêtez la machine, retirez le pack batterie, et laissez l'outil refroidir avant de le ranger ou de le transporter.
- Débarrassez l'appareil de tous les corps étrangers. Rangez la en un endroit frais, sec et correctement ventilé, hors de portée des enfants. Ne la rangez pas à proximité d'agents corrosifs tels que produits chimiques de jardinage ou sels de dégel. Ne rangez pas à l'extérieur.
- Pour le transport, attachez la machine pour l'empêcher de bouger ou de tomber, afin d'éviter toute blessure et tout dommage matériel.

ENTRETIEN

⚠ AVERTISSEMENT

N'utilisez que des pièces détachées et accessoires d'origine constructeur. Le non respect de cette précaution peut entraîner de mauvaises performances, des blessures, et annuler votre garantie.

⚠ AVERTISSEMENT

Les réparations demandent un soin et des connaissances extrêmes et ne doivent être effectuées que par un réparateur qualifié. Déposer votre outil chez un de nos réparateurs agréés. N'utilisez que des pièces détachées identiques pour effectuer les réparations.

- Vous pouvez effectuer les réglages et réparations décrits dans ce manuel. Pour les autres réparations, contactez un service après-vente agréé.
- Après chaque utilisation, utilisez un chiffon propre et sec pour nettoyer le produit.
- Vérifiez régulièrement le bon serrage des écrous, vis et boulons pour que le produit soit toujours en bon état de fonctionnement. Toute pièce endommagée doit être

correctement remplacée ou réparée par un service après-vente agréé.

SUPPRIMÉ UN BLOCAGE

⚠ AVERTISSEMENT

Ne mettez jamais vos mains ou vos pieds à l'avant du produit ou en face du conduit d'évacuation afin d'éviter toute blessure grave.

- Relâchez la gâchette, et retirez le pack batterie.
- Assurez-vous que tous les éléments en mouvement se sont bien arrêtés.
- Dégagez le blocage à l'aide d'une tige en bois.
- Faites tourner la turbine à l'aide de la tige en bois.
- Prenez garde, la turbine est susceptible de tourner par elle-même lorsque vous dégagez le blocage du fait de l'inertie de son mécanisme.
- Une fois qu'il est possible de faire tourner la turbine avec la tige en bois, mettez-vous à l'arrière du produit.
 - Il est normal que la turbine tourne par paliers.
- Assurez-vous de pouvoir continuer le déneigement en toute sécurité.
- Mise en place du pack batterie. Mettez le produit en marche.

RISQUES RÉSIDUELS

Même lorsque la machine est utilisée selon les prescriptions, il reste impossible d'éliminer totalement certains facteurs de risque résiduels. Les dangers suivants risquent de se présenter en cours d'utilisation et l'utilisateur doit prêter particulièrement garde à ce qui suit :

- Blessures dues au bruit
 - Portez une protection auditive et limitez le temps d'exposition.
- Blessures dues aux objets projetés vers le haut et l'avant en provenance de la turbine en rotation à l'avant de la machine ou en provenance du conduit d'évacuation.
 - Portez en permanence une protection oculaire adaptée.

APPRENEZ À CONNAÎTRE VOTRE PRODUIT

Voir page 133.

1. Poignée supérieure
2. Gâchette de Marche/arrêt
3. Bouton de verrouillage de la gâchette
4. Câble de commande du moteur
5. Levier de rotation du conduit d'évacuation
6. Clip de verrouillage de la poignée
7. Arbre de rotation du conduit d'évacuation
8. Poignée du déflecteur du conduit d'évacuation
9. Déflecteur du conduit d'évacuation
10. Éclairage à LED
11. Turbine
12. Poignée intermédiaire
13. Bouton de réglage de la poignée
14. Poignée inférieure
15. Poignée de transport/soulèvement
16. Compartiment de la batterie supplémentaire
17. Compartiment de la batterie utilisée
18. Batterie
19. Chargeur de batterie

SYMBOLES APPLIQUÉS SUR LE PRODUIT



Lisez et comprenez toutes les instructions avant d'utiliser le produit, respectez tous les avertissements et toutes les instructions de sécurité.



Prenez garde à la projection d'objets au sol et dans les airs. Gardez tous les passants, en particulier les enfants et les animaux, éloignés d'au moins 15 m de distance de la zone de travail.



Portez une protection oculaire



DANGER! Éviter les blessures dues à la turbine rotative, tenez les mains, les pieds et les vêtements loin de celle-ci.



DANGER! Retirez la batterie et lisez les instructions dans le manuel avant de supprimer un blocage. Tenez les mains, les pieds loin du devant la machine et de la trappe d'éjections.



Les produits électriques hors d'usage ne doivent pas être jetés avec les ordures ménagères. Recyclez-les par l'intermédiaire des structures disponibles. Contactez les autorités locales pour vous renseigner sur les conditions de recyclage.



Cet outil est conforme à l'ensemble des normes réglementaires du pays de l'UE où il a été acheté.



Marque de qualité EurAsian



Marque de conformité ukrainienne



Le niveau de puissance sonore garanti est de 86 dB



Poussez et maintenez



Pressez et maintenez pour opérer



Compartiment de la batterie supplémentaire



Compartiment de la batterie utilisée

Les signaux et mots suivants sont destinés à indiquer le niveau de risque associé au produit :

⚠ DANGER

Situation potentiellement dangereuse qui, si l'on n'y prend garde, peut entraîner la mort ou des blessures graves.

⚠ AVERTISSEMENT

Situation potentiellement dangereuse qui, si l'on n'y prend garde, peut entraîner la mort ou des blessures graves.

⚠ MISE EN GARDE

Situation potentiellement dangereuse qui, si l'on n'y prend garde, peut entraîner des blessures moyennes ou légères.

MISE EN GARDE

Sans symbole d'alerte de sécurité

Indique une situation pouvant entraîner des dommages matériels.

SYMBOLES DE CE MANUEL



Pièces détachées et accessoires vendus séparément



Note



Avertissement



Verrouillage



Déverrouillage

Sicherheit, Leistung und Zuverlässigkeit hatten oberste Priorität bei dem Design Ihres Akku-Schneefräse.

VORGESEHENE VERWENDUNG

Die Akku-Schneefräse ist nur zu Benutzung im Freien in einem gut beleuchteten Bereich durch einen stehenden, hinter dem Produkt gehenden Benutzer geeignet. Die Akku-Schneefräse ist nur für den Gebrauch durch Erwachsene vorgesehen, die die Bedienungsanleitung gelesen und verstanden haben und als verantwortlich für ihre Taten erachtet werden können. Aus Sicherheitsgründen muss das Produkt während der Benutzung mit beiden Hände immer ausreichend kontrolliert werden.

Das Produkt ist zum Räumen von Schnee in Bereichen wie Einfahrten, Bürgersteigen, Wegen, Straßen und um Häuser konstruiert. Das Produkt kann Schnee bis zu einer Höhe von 25 cm räumen.

Das Produkt sollte niemals mit vom Boden gehobenen Rädern benutzt werden. Es sollte nicht auf dem Produkt geritten werden. Das Produkt sollte nur wie in dieser Bedienungsanleitung beschrieben und für keinen anderen Zweck benutzt werden.

ALLGEMEINE SICHERHEITSGEDELN

⚠️ WARNUNG

Die Sicherheitsregeln müssen befolgt werden, wenn dieses Produkt benutzt wird. Lesen Sie für Ihre eigene Sicherheit und die von Außenstehenden diese Anweisungen bevor Sie das Produkt benutzen. Bitte bewahren Sie die Anweisungen zum späteren Nachschlagen auf.

⚠️ WARNUNG

Das Produkt sollte nur mit dem Akku verwendet werden. Bei der Verwendung von akkubetriebenen Geräten müssen jederzeit grundsätzliche Vorsichtsmaßnahmen befolgt werden, um das Risiko eines Feuers, auslaufender Akkus und von Verletzungen zu reduzieren.

UNTERWEISUNG

- Lesen und verstehen Sie die Anweisungen und Sicherheitswarnungen. Machen

Sie sich mit den Bedienelementen und dem ordnungsgemäßen Gebrauch des Produktes vertraut.

- Lassen Sie niemals Kinder oder Personen mit verminderten physischen, geistigen oder sensorischen Fähigkeiten oder Personen, die mit diesen Anweisungen nicht vertraut sind das Produkt bedienen, reinigen oder warten. Die lokale Gesetzgebung regelt das Mindestalter des Benutzers. Kinder müssen ausreichend beaufsichtigt werden, so dass gewährleistet ist, dass sie nicht mit dem Produkt spielen.
- Vergessen Sie nie, dass der Benutzer verantwortlich ist für Unfälle und Gefahren, die an Eigentum Fremder oder an anderen Personen entstehen könnten.
- Halten Sie Zuschauer, Kinder und Haustiere 15 m von dem Arbeitsbereich fern. Stoppen Sie das Produkt, wenn jemand diesen Bereich betritt.
- Arbeiten Sie niemals mit dem Produkt, wenn Sie müde oder krank sind, oder unter dem Einfluss von Alkohol, Drogen oder Medikamenten stehen.
- Seien Sie vorsichtig, um stolpern oder hinfallen zu vermeiden, insbesondere wenn Sie rückwärts arbeiten.

VORBEREITUNG

- Untersuchen Sie den Bereich in dem die Maschine verwendet werden soll gründlich, und entfernen Sie alle Fußmatten, Schlitten, Bretter, Drähte und andere Gegenstände.
- Tragen Sie beim Betrieb der Maschine immer adäquate Winterkleidung und rutschfestes Schuhwerk. Vermeiden Sie weite Kleidung, oder Kleidung mit Schnüren oder Bändern zu tragen, sie können sich in beweglichen Teilen verfangen.
- Binden Sie lange Haare zurück, so dass diese sich über Schulterhöhe befinden, um zu verhindern, dass sie sich in beweglichen Teilen verfangen.
- Tragen Sie immer vollen Augenschutz, wenn Sie das Produkt benutzen. Der Hersteller empfiehlt dringend eine volle Gesichtsmaske oder voll geschlossene Schutzbrille zu tragen. Normale Brillen oder Sonnenbrillen sind kein ausreichender Schutz. Gegenstände können mit hoher Geschwindigkeit geschleudert werden und von harten Oberflächen in Richtung

Benutzer abprallen. Staubmaske, Helm oder Gehörschutz müssen bei entsprechenden Bedingungen benutzt werden.

- Stellen Sie sicher, dass alle Bedienelemente und Sicherheitsvorrichtung ordnungsgemäß funktionieren. Benutzen sie das Werkzeug nicht, wenn der "Aus"-Schalter das Produkt nicht stoppt.
- Inspizieren Sie das Produkt vor jeder Benutzung, ob das Gehäuse unbeschädigt ist und alle Schutzabdeckungen montiert und gesichert sind.
- Bringen Sie das Produkt einem autorisierten Kundendienst zurück, um beschädigte oder unleserliche Aufkleber zu ersetzen.
- Lassen Sie die Maschine sich an die Temperatur im Freien anpassen, bevor Sie mit dem Schneeräumen beginnen.

BENUTZUNG UND WARTUNG VON AKKUGERÄTEN

- Lesen, verstehen und befolgen Sie immer die mit Ihrem Akku und Ladegerät gelieferten Sicherheitsanweisungen. Nichtbefolgung kann zu Stromschlag, Feuer oder anderen gefährlichen Situationen führen. Halten Sie alle Anweisungen zum späteren Nachlesen an einem sicheren Ort beisammen.
- Akkubetriebene Werkzeuge müssen nicht an eine Stromsteckdose angeschlossen werden; sie sind daher jederzeit betriebsbereit. Entfernen Sie den Akku, bevor Sie Einstellungen vornehmen, reinigen oder material von dem Gerät entfernen.
- Ein Akku darf nur mit dem vom Hersteller vorgeschriebenen Ladegerät aufgeladen werden. Die Benutzung eines Ladegerätes mit einem inkompatiblen Akku kann ein Feuerisiko verursachen. Benutzen Sie nur das in der Bedienungsanleitung aufgeführte Ladegerät.
- Verwenden Sie nur den speziell für dieses Gerät vorgesehenen Akku. Die Verwendung anderer Akkus kann zu Feuergefahr, Stromschlägen oder Verletzungen führen.
- Halten Sie Akkus, die nicht benutzt werden, von anderen Metallobjekten wie Büroklammern, Münzen, Schlüsseln, Nägeln, Schrauben oder anderen kleinen Metallobjekten, die eine Verbindung

zwischen den Polen herstellen könnten, fern. Ein Kurzschließen der Akkupole kann Funken, Verbrennungen, Feuer oder eine Explosion verursachen.

- Halten Sie batteriebetriebene Produkte bzw. deren Akkus von Feuer und Hitze fern. Das erhöht das Explosions- und Verletzungsrisiko.
- Öffnen oder beschädigen Sie den Akku nicht. Freigesetzte Batterieflüssigkeit ist gewebezerstörend und kann zu einer Schädigung von Augen oder Haut führen. Es kann bei Verschlucken toxisch wirken.
- Schützen Sie den Akku vor Feuchtigkeit und Wasser. Laden Sie das akkubetriebene Gerät nicht an feuchten oder nassen Orten auf. Durch Befolgung dieser Anweisung wird das Risiko von Bränden, elektrischen Schlägen und Körperverletzungen verringert.
- Im Fall einer Beschädigung oder nicht ordnungsgemäßen Verwendung des Akkus, können Dämpfe austreten. Sorgen Sie für frische Luft und suchen Sie bei Beschwerden einen Arzt auf. Die Dämpfe können zu einer Reizung des Atemsystems führen.
- Lassen Sie den Akkupack bei heißen oder kalten Bedingungen nicht in einem Fahrzeug.
- Der Akkupack kann bis zu einer Temperatur von -20°C eingesetzt werden. Setzen Sie den Akku in das Gerät ein und nutzen Sie es in einer normalen Anwendung. Nach etwa einer Minute hat sich das Akkupack erwärmt und beginnt normal zu funktionieren.
- Verbrennen Sie den Akku nicht. Wenn der Akku das Ende der Nutzungsdauer erreicht hat, entsorgen Sie ihn gemäß den örtliche Bestimmungen.
- Unter missbräuchlichen Bedingungen kann Flüssigkeit aus dem Akku spritzen - vermeiden Sie den Kontakt mit dieser Flüssigkeit! Falls es versehentlich zu einem Kontakt kommen sollte, spülen Sie die Flüssigkeit mit Wasser ab. Suchen Sie außerdem medizinische Hilfe auf, falls die Flüssigkeit in die Augen gerät. Aus dem Akku ausgetretene Flüssigkeit kann zu Irritationen oder Verätzungen führen.

SICHERHEITSREGELN FÜR AKKUSCHNEEFÄSEN

- Halten Sie Ihre Hände oder Füße nicht in die Nähe von oder unter rotierende Teile.
- Bleiben Sie wachsam, achten Sie auf das was Sie tun und verwenden Sie bei der Benutzung des Gerätes Ihren gesunden Menschenverstand. Ein kurzer Moment der Unachtsamkeit bei der Verwendung eines Produktes kann zu schweren Verletzungen führen.
- Seien Sie extrem vorsichtig, wenn Sie auf Kieseinfahrten, -wegen oder -straßen arbeiten oder diese kreuzen. Achten Sie auf versteckte Gefahren oder Verkehr.
- Nutzen Sie die Maschinen niemals in hoher Transportgeschwindigkeit auf rutschigem Untergrund. Seien Sie vorsichtig, wenn Sie rückwärts arbeiten.
- Räumen Sie niemals in Richtung von Passanten (Auswurföffnung) oder erlauben Sie jemanden, vor das Produkt zu stehen.
- Räumen Sie nicht entlang von Hängen. Seien Sie extrem vorsichtig, wenn Sie auf Hängen die Räumrichtung wechseln. Versuchen Sie nicht, steile Hänge zu räumen.
- Betreiben Sie das Produkt niemals ohne korrekt montierte Schutzabdeckungen, Schilde oder andere Sicherheitsvorrichtungen.
- Betreiben Sie das Produkt niemals in der Nähe von Glasgehäusen, Kraftfahrzeugen, Fenstern oder Türen ohne die richtige Einstellung des Auswurfkanals. Halten Sie unbeteiligte Personen aus dem Arbeitsbereich fern, insbesondere Kinder, aber auch Tiere.
- Stellen Sie das Produkt nur auf einen sauberen und harten Untergrund, wenn der Motor läuft. Kies, Sand und anderes Geröll können mit dem Lufteinlass aufgenommen werden und in Richtung Benutzer oder Passanten geschleudert werden, und so schwere Verletzungen verursachen.
- Überlasten Sie die Kapazität der Maschine nicht, indem Sie versuchen, den Schnee zu schnell zu räumen.
- Benutzen Sie die Maschine in einem gut beleuchteten Bereich und achten Sie auf Hindernisse oder Gefahren, die von den Scheinwerfern der Maschine beleuchtet

werden.

- Benutzen Sie das Produkt nicht, wenn die Gefahr von Blitzschlag besteht.
- Halten Sie die Auswurföffnung immer sauber. Stecken Sie keine Gegenstände in Öffnungen.
- Betreiben Sie die Maschine nicht in einer explosiven Atmosphäre, wie in der Umgebung von brennbaren Flüssigkeiten, Gasen oder Staub.
- Halten Sie immer das Gleichgewicht. Vermeiden Sie eine abnormale Körperhaltung. Das könnte zu Gleichgewichtsverlust führen.
- Achten Sie an Böschungen immer auf sicheren Stand und gehen Sie, niemals laufen.
- Verändern Sie die Maschine nicht auf irgendeine Weise oder verwenden Teile oder Zubehör die nicht vom Hersteller empfohlen sind.
- Nehmen Sie keine Einstellungen vor, wenn der Motor läuft, es sei denn es wird speziell durch den Hersteller empfohlen.

⚠️ WARNUNG

Wenn das Produkt fallen gelassen wurde oder einen schweren Schlag erhalten hat oder ungewöhnlich vibriert, stoppen Sie das Produkt sofort und überprüfen es auf Schäden oder identifizieren Sie die Ursache der Vibration. Jeder Schaden sollte durch den autorisierten Kundendienst ordnungsgemäß repariert oder ausgetauscht werden.

- Um die Gefahr von Verletzungen durch drehende Teile zu verringern, stoppen Sie immer das Produkt, entfernen den Akkupack und stellen sicher, dass alle drehende Teile gestoppt sind:
 - vor dem Reinigen oder Entfernen einer Blockierung.
 - wenn Sie das Produkt unbeaufsichtigt lassen
 - Bevor Sie das Produkt prüfen, reinigen oder daran arbeiten,
 - Überprüfen Sie das Produkt auf Schäden, nachdem ein Fremdkörper getroffen wurde
 - Wenn die Maschine anfängt

ungewöhnlich zu vibrieren (sofort überprüfen).

TIPPS ZUR BEDIENUNG

- Das Produkt funktioniert nicht, wenn der obere Griff nicht richtig montiert ist und der Verriegelungsclip des Griffs nicht richtig eingerastet ist. Zwei Sicherheitsverriegelungen helfen unbeabsichtigtes Starten zu verhindern, wenn die Maschine nicht richtig montiert ist.
- Achten Sie auf die Windrichtung bevor Sie die Maschine benutzen. Richten Sie den Schneeauswurf-Öffnung in Windrichtung aus, um zu verhindern, dass der Schnee zurück in Ihr Gesicht geblasen wird.
- Wenn Sie fertig sind, lassen Sie den Motor noch ein paar Minuten weiter laufen, drehen Sie dann den Hebel für die Drehung des Auswurfschachts mehrmals hin und her, um den restlichen Schnee aus dem Auswurf zu entfernen.

TRANSPORT UND LAGERUNG

- Stoppen Sie die Maschine, entfernen den Akkupack und lassen das Werkzeug abkühlen, bevor Sie es einlagern oder transportieren.
- Entfernen Sie alle Fremdkörper vom Produkt. Lagern Sie das Gerät an einem trockenen und gut belüfteten Ort, der Kindern keinen Zugang bietet. Die Schneefräse von korrodierend wirkenden Stoffen, wie Gartenchemikalien und Enteisingssalzen, fernhalten. Nicht im Freien lagern.
- Sichern Sie die Maschine beim Transport gegen Bewegung oder fallen, um Verletzungen und Beschädigung der Maschine zu verhindern.

WARTUNG UND PFLEGE

⚠️ WARNUNG

Verwenden Sie ausschließlich original Ersatzteile, Zubehör und Aufsätze des Herstellers. Nichtbefolgung kann mögliche Verletzungen oder schlechte Leistung verursachen und Ihre Garantie ungültig machen.

⚠️ WARNUNG

Service und Wartung des Gerätes erfordert besonderen Schutz und Kenntnisstand und sollte nur durch qualifiziertes Personal durchgeführt werden. Bringen Sie das Produkt einem autorisierten Kundendienst zurück. Beim Service sollten Sie nur originale Ersatzteile benutzen.

- Sie dürfen die die in dieser Bedienungsanleitung beschriebenen Einstellungen und Reparaturen durchführen. Kontaktieren Sie Ihren autorisierten Kundendienst für andere Reparaturen.
- Reinigen Sie das Produkt nach jeder Benutzung mit einem weichen, trockenen Lappen.
- Überprüfen Sie Bolzen, Muttern und Schrauben immer wieder ob alles fest angezogen wird so dass das Produkt in einem sicheren Zustand ist. Jedes beschädigte Teil sollte durch den autorisierten Kundendienst ordnungsgemäß repariert oder ausgetauscht werden.

ENTFERNEN EINER BLOCKADE

⚠️ WARNUNG

Platzieren Sie Ihre Hände oder Füße niemals vor das Produkt oder den Auswurfschacht, um schwere Verletzungen zu vermeiden.

- Lassen Sie den Startschalter los und entnehmen Sie den Akku.
- Stellen Sie sicher, dass alle bewegliche Teile vollständig angehalten sind.
- Benutzen Sie einen Holzstock, um die Blockade zu entfernen.
- Drehen Sie den Flügelrad mit einem Holzstock.
- Beachten Sie, dass das Flügelrad sich aufgrund der gespeicherten Energie in dem Mechanismus von selber drehen kann, während Sie die Blockade entfernen.
- Nachdem das Flügelrad mit einem Holzstock gedreht werden kann, gehen Sie zur Rückseite des Produktes.
 - Es ist normal, dass sich der Flügelrad-Mechanismus schrittweise bewegt.

- Vergewissern Sie sich, dass es sicher ist weiter Schnee zu räumen.
- Setzen Sie den Akku ein und Schalten Sie das Produkt an.

RESTRISIKEN:

Sogar wenn die Maschine wie vorgeschrieben benutzt wird, ist es unmöglich ein gewisses Restrisiko vollständig zu beseitigen. Die folgenden Gefahren können bei der Benutzung entstehen, und der Benutzer sollte besonders auf folgende Punkte achten:

- Durch Lärm verursachte Verletzungen.
 - Tragen Sie einen Gehörschutz und schränken Sie die Belastung ein.
- Verletzungen durch das Flügelrad an der Vorderseite der Maschine oder den Schneeauswurf nach oben oder vorne geschleuderte Gegenstände.
 - Tragen Sie immer angemessenen Augenschutz.

MACHEN SIE SICH MIT IHREM PRODUKT VERTRAUT

Siehe Seite 133.

1. Oberer Griffbügel
2. An-/Ausschalter
3. Startknopf
4. Motor-Steuerkabel
5. Hebel für die Drehung des Auswurfschachts
6. Verriegelungsclip für Griff
7. Stange zur Drehung des Auswurfschachts
8. Griff für Abweiser des Auswurfschachts
9. Auswurfabweiser
10. LED Licht
11. Flügelrad
12. Griffstange
13. Griff-Einstellknopf
14. Anbindung Griffstange
15. Trage-/Hebegriff
16. Fach zur Akkuaufbewahrung
17. Akkufach (im Betrieb)
18. Akku
19. Akkuladegerät

SYMBOLE AUF DEM PRODUKT



Lesen und verstehen Sie alle Anweisungen, bevor Sie das Produkt benutzen, befolgen Sie alle Warnungen und Sicherheitsanweisungen.



Achten Sie auf geschleuderte oder fliegende Objekte. Halten Sie alle Zuschauer, besonders Kinder und Haustiere, mindestens 15 m von dem Arbeitsbereich fern.



Tragen Sie einen Augenschutz



GEFAHR! Vermeiden Sie Verletzungen durch das drehende Flügelrad. Halten Sie Hände, Füße und Kleidung fern.



GEFAHR! Entfernen Sie den Akku und lesen die Anweisungen in dieser Bedienungsanleitung, bevor Sie eine Blockierung entfernen. Halten Sie Hände und Füße fern von der Vorderseite der Maschine und dem Auswurfschacht.



Elektrische Geräte sollten nicht mit dem übrigen Müll entsorgt werden. Bitte entsorgen Sie diese an den entsprechenden Entsorgungsstellen. Wenden Sie sich an die örtliche Behörde oder Ihren Händler, um Auskunft über die Entsorgung zu erhalten.



Dieses Gerät entspricht allen gesetzlichen Normen des Landes der europäischen Union, in dem es gekauft wurde.



EurAsian Konformitätszeichen



Ukrainisches Prüfzeichen



Der garantierte Schalleistungspegel beträgt 86 dB(A).



Drücken und halten



Drücken und halten zur Benutzung



Fach zur Akkuaufbewahrung



Akkufach



Warnung



Schloß



Öffnen

Die folgenden Signalwörter und –bedeutungen sollen den mit diesem Produkt verbundenen Risikograd veranschaulichen:

⚠ GEFAHR

Weist auf eine unmittelbare gefährliche Situation hin, die bei Missachtung zu Tod oder ernsthafter Verletzung führen kann.

⚠ WARNUNG

IWeist auf eine mögliche gefährliche Situation hin, die bei Missachtung zu Tod oder ernsthafter Verletzung führen kann.

⚠ VORSICHT

IWeist auf eine mögliche gefährliche Situation hin, die bei Missachtung zu einer leichten oder mittleren Verletzung führen kann.

VORSICHT

Ohne Sicherheitswarnsymbol
Bezeichnet eine Situation die zu Sachbeschädigungen führen kann.

SYMBOLS IN THIS USER MANUAL



Teile oder Zubehör getrennt erhältlich



Bitte beachten

EN
FR
DE
ES
IT
NL
PT
DA
SV
FI
NO
RU
PL
CS
HU
RO
LV
LT
ET
HR
SL
SK
BG
UK

Seguridad, rendimiento y fiabilidad han sido la máxima prioridad a la hora de diseñar su quitanieves inalámbrico.

USO PREVISTO

El quitanieves inalámbrico solo es apto para uso exterior en una zona bien iluminada y con el operador manejando el aparato de pie y desde atrás. Este quitanieves inalámbrico está diseñado para ser utilizado por adultos que hayan leído y comprendido las instrucciones y advertencias recogidas en este manual y que puedan ser considerados responsables de sus acciones. Por razones de seguridad, la herramienta debe controlarse de forma adecuada utilizando las dos manos en todo momento.

El aparato ha sido diseñado para despejar la nieve en zonas como la entrada de la casa, la acera, los senderos, la calzada y las zonas de alrededor de la casa. El aparato puede mover nieve con una profundidad de hasta 25 cm.

El aparato nunca se debe operar sin que las ruedas estén apoyadas en el suelo. No se debe montar. El aparato sólo se debe utilizar según el descrito en el presente manual y no se debe utilizar a cualquier otro fin.

NORMAS GENERALES DE SEGURIDAD

⚠ ADVERTENCIA

Al utilizar el producto, deben seguirse las normas de seguridad. Por su propia seguridad y la de los que le rodean, lea estas instrucciones antes de utilizar el producto. Guarde las instrucciones para usarlas en el futuro.

⚠ ADVERTENCIA

El aparato solo deberá funcionar con la batería. Al usar la máquina con la batería, debe seguir siempre las precauciones básicas de seguridad para reducir el riesgo de incendio, fugas de la batería y lesiones personales.

APRENDIZAJE

■ Lea y entienda las instrucciones y advertencias de seguridad. Familiarícese con los controles y el uso adecuado del producto.

- Nunca permita que los niños o las personas con discapacidad física, sensorial o mental, o que no estén familiarizadas con estas instrucciones, operen, limpien ni realicen el mantenimiento del aparato. Las regulaciones locales pueden restringir la edad del operario. Los niños deben estar adecuadamente supervisados para asegurarse de que no juegan con el producto.
- Tenga presente que el operario o usuario es responsable de los accidentes o riesgos que le puedan ocurrir a otras personas o a su propiedad.
- Mantenga a los transeúntes, a los niños y a los animales a 15m de distancia de la zona de operación. Apague el aparato si alguien entra en el área.
- No utilice el producto cuando esté cansado, enfermo o bajo la influencia del alcohol, las drogas o medicamentos.
- Tenga precaución para evitar resbalones o caídas, especialmente cuando se opera a la inversa.

PREPARACIÓN

- Inspeccione concienzudamente el área donde vaya a usar la máquina y retire alfombrillas, trineos, tablas, cables y objetos extraños.
- Mientras opera la máquina, lleve siempre vestimenta adecuada para el invierno y calzado antideslizante de seguridad. Evite llevar ropa suelta, con cordones o corbata, ya que podría engancharse en las partes móviles.
- Recoja el cabello largo para que quede por encima del nivel de los hombros y evitar así que se enmarañe en cualquier pieza móvil.
- Lleve puesta una protección total para los ojos en todo momento mientras maneja este aparato. El fabricante recomienda encarecidamente el uso de una máscara completa o de unas gafas protectoras totalmente cerradas. Las gafas normales o de sol no son una protección adecuada. Algunos objetos pueden salir disparados a gran velocidad y rebotar en superficies duras hacia el operador. Debe utilizarse máscara antipolvo, casco o protección para los oídos.
- Antes de cada uso, asegúrese de que



todos los controles y dispositivos de seguridad funcionan correctamente. No utilice la herramienta si el interruptor "off" no para el aparato.

- Antes de cada uso, observe siempre la carcasa para verificar que no está dañada y que las protecciones y mangos están en su sitio y correctamente sujetos.
- Para sustituir las piezas dañadas o las etiquetas ilegibles lleve el aparato a un centro de servicio autorizado.
- Deje que la máquina se ajuste a la temperatura exterior antes de empezar a quitar la nieve.

USO Y CUIDADO DE LA HERRAMIENTA

- Lea, comprenda y siga siempre las instrucciones de seguridad suministradas con la batería y el cargador. Si no lo hace, podría provocar una descarga eléctrica, un incendio u otras situaciones peligrosas. Guarde todas las instrucciones juntas en un lugar seguro para realizar futuras consultas.
- Las herramientas de batería no necesitan estar enchufados a una toma de corriente; por lo tanto, están siempre en condiciones de funcionamiento. Extraiga la batería antes de hacer cualquier ajuste, limpieza o de quitar material de la unidad.
- La batería solamente debe recargarse con el cargador especificado por el fabricante. El uso de un cargador con una batería incompatible puede crear un riesgo de incendio. Utilice únicamente el cargador indicado en las instrucciones.
- Utilice sólo la batería diseñada específicamente para la máquina. El uso de cualquier otra batería puede resultar en un riesgo de incendio, descargas eléctricas o lesiones personales.
- Cuando la batería no está en uso, manténgala alejada de otros objetos metálicos como clips, monedas, llaves, clavos, tornillos u otros objetos metálicos pequeños que puedan crear una conexión desde una terminal a otra. Cortocircuitar los terminales de la batería puede provocar chispas, quemaduras, incendios y explosiones.
- No coloque los productos de batería o las pilas cerca del fuego o fuentes de calor. Esto aumenta el riesgo de explosión y de

lesiones.

- No abra ni desmonte la batería. El electrolito liberado es corrosivo y puede causar daño a los ojos o la piel. Puede ser tóxico si se ingiere.
- Proteja la batería contra la humedad y el agua. No cargue la herramienta de batería en un lugar húmedo o mojado. Si cumple estrictamente estas consignas reducirá el riesgo de incendio, de recibir una descarga eléctrica y de heridas graves.
- En caso de daños y uso inadecuado de la batería, podría emitirse vapor. Respire aire fresco y acuda a un médico en caso de dolencias. El vapor puede irritar el sistema respiratorio.
- No deje la batería dentro de un vehículo en condiciones de frío o calor.
- La batería de IÓN-LITIO se puede utilizar a temperaturas de hasta -20 °C. Coloque la batería en el aparato y utilícelo para una aplicación que requiera poca potencia. Después de aproximadamente un minuto, la batería se habrá calentado y comenzará a funcionar normalmente.
- No queme la batería. Cuando se acabe su vida útil, tírela correctamente siguiendo la normativa local de su zona.
- En condiciones abusivas, podría salir expulsado líquido de la batería, por lo que debería evitar el contacto con éste. Si se produce un contacto accidental, enjuáguese las manos con agua. Si el líquido entra en contacto con los ojos, acuda inmediatamente al médico. Si el líquido es expulsado de la batería y entra en contacto con él, podría causar irritación o quemaduras.

NORMAS DE SEGURIDAD DEL QUITA- NIEVES INALÁMBRICO

- No coloque las manos o los pies cerca o debajo de las piezas giratorias.
- Manténgase alerta, observe lo que está haciendo y use el sentido común cuando utilice el aparato. En un momento de descuido, mientras utiliza el producto podrían ocurrir lesiones personales graves.
- Extreme la precaución cuando utilice la máquina en caminos, senderos o carreteras con gravilla o cuando los cruce. Esté alerta a riesgos no visibles o al tráfico.

EN

FR

DE

ES

IT

NL

PT

DA

SV

FI

NO

RU

PL

CS

HU

RO

LV

LT

ET

HR

SL

SK

BG

UK





- Nunca haga funcionar la máquina a altas velocidades de desplazamiento sobre superficies resbaladizas. Tenga cuidado al dar marcha atrás.
- Nunca dirija la descarga a los transeúntes ni deje que nadie se ponga delante del aparato.
- No limpie la nieve de cara a una pendiente. Tenga mucho cuidado cuando cambie de dirección en las cuestas. No intente limpiar una pendiente pronunciada.
- Nunca utilice el aparato sin haber colocado la protección, las placas u otro tipo de dispositivo de seguridad pertinente.
- Nunca opere el aparato cerca de recintos cerrados de cristal, automóviles, ventanas o portales sin haber ajustado correctamente el ángulo de descarga de nieve. Mantenga a los espectadores fuera del área de trabajo, especialmente niños y mascotas.
- Nunca coloque el aparato en ninguna superficie, que no sea una superficie dura y limpia, cuando el motor esté en funcionamiento. La gravilla, la arena y otros restos pueden ser arrastrados por el chorro de aire y disparados hacia el operador o los transeúntes, provocando lesiones graves.
- No sobrecargue la capacidad de la máquina intentando quitar la nieve con demasiada rapidez.
- Utilice la máquina en un lugar bien iluminado y tenga cuidado con los obstáculos o los peligros que iluminen las luces de la máquina.
- No utilice el aparato cuando haya riesgo de relámpago.
- Manténgase alejado de la apertura de descarga en todo momento. No coloque ningún objeto en las aberturas.
- No utilice la máquina en entornos inflamables, como puede ser en presencia de líquidos inflamables, gases o polvo.
- Mantenga su pisada firme y su equilibrio. No se extienda demasiado. Si lo hace, podrá perder el equilibrio.
- Asegúrese siempre de que está en una posición firme y segura cuando se encuentre en una cuesta y desplácese caminando, nunca corriendo.

- No modifique la herramienta de modo alguno ni utilice piezas o accesorios que no sean los recomendados por el fabricante.
- Nunca intente realizar ajustes mientras el motor está funcionando, excepto cuando específicamente recomendado por el fabricante.

⚠ ADVERTENCIA

Si el aparato se cae, sufre un impacto fuerte o empieza a vibrar de manera anormal, párelo inmediatamente y compruebe si está dañado o identifique el motivo de la vibración. La reparación de daños y la sustitución de piezas deben ser realizadas por un centro de servicio autorizado.

- Para reducir el riesgo de lesiones asociado al contacto con las partes giratorias, pare siempre el aparato, retire la batería y asegúrese de que todas las partes han dejado de moverse:
 - antes de limpiar o despejar una obstrucción
 - cuando deje el aparato desatendido
 - antes de inspeccionar, mantener o trabajar con el producto
 - después de golpear un objeto extraño para inspeccionar el aparato y ver si está dañado
 - si el producto empieza a vibrar de forma anormal (comprobar inmediatamente)

CONSEJOS DE FUNCIONAMIENTO

- El aparato no funcionará si el mango superior no está bien colocado y el clip que bloquea el mango no está bien cerrado. Hay dos bloqueos de seguridad que ayudan a prevenir el arranque accidental cuando la máquina no está correctamente montada.
- Tenga en cuenta la dirección del viento antes de operar la máquina. Descargue la nieve en la misma dirección que el viento para evitar que el viento empuje de nuevo la nieve hacia su cara.
- Cuando termine, deje que el motor funcione durante unos minutos más, gire la palanca de rotación del conducto de descarga hacia delante y hacia atrás varias veces para eliminar los restos de nieve.



TRANSPORTE Y ALMACENAMIENTO

- Detenga el motor, retire la batería y deje que la herramienta se enfríe antes de guardarla o transportarla.
- Limpie todo el material extraño que pueda permanecer en el producto. Guarde en una zona seca y bien ventilada, a la que no puedan acceder los niños. Evite el contacto con agentes corrosivos tales como productos químicos de jardinería o sales descongelantes. No almacenar al aire libre.
- Para el transporte, asegure la máquina para que no se mueva ni se caiga y evitar así lesionar a alguien o dañar la máquina.

MANTENIMIENTO

⚠ ADVERTENCIA

Utilice sólo piezas y accesorios de recambio originales del fabricante. Si no lo hace podría ocurrir un mal funcionamiento, podrían producirse daños o podría quedar anulada la garantía.

⚠ ADVERTENCIA

Las reparaciones requieren tener mucho cuidado y conocimiento y sólo debe realizarse por un técnico de servicio calificado. Lleve el aparato a un centro de servicio autorizado. Al realizar una reparación, sólo use piezas de reemplazo idénticas.

- Usted puede realizar los ajustes y reparaciones descritos en este manual del usuario. Para otro tipo de reparaciones póngase en contacto con un agente de servicios autorizado.
- Limpiar el producto con un paño suave seco después de cada uso.
- Verifique a intervalos frecuentes si todas las tuercas, pernos y tornillos están apretados apropiadamente para asegurarse de que el producto esté en buenas condiciones de trabajo. Cualquier pieza dañada debe ser sustituida o reparada adecuadamente por un centro de servicio autorizado.

ELIMINAR BLOQUEOS

⚠ ADVERTENCIA

Nunca ponga las manos o los pies delante del aparato o del conducto de descarga, así evitará lesiones graves.

- Suelte el gatillo y retire la batería.
- Asegúrese de que todas las partes móviles se han detenido por completo:
- Utilice un palo de madera para quitar el bloqueo.
- Gire el conjunto de impulsor con un palo de madera.
- Tenga cuidado, el impulsor puede moverse solo mientras quita el bloqueo debido a la energía acumulada en el mecanismo.
- Cuando haya girado el impulsor con el palo de madera, muévase a la parte trasera del aparato.
 - Es normal que el mecanismo impulsor haga movimientos escalonados.
- Asegúrese de que es seguro seguir retirando nieve.
- Coloque la batería. Encienda el aparato.

RIESGOS RESIDUALES:

Incluso cuando use la máquina conforme a lo prescrito, es imposible eliminar completamente determinados factores de riesgo residuales. Los siguientes peligros pueden surgir en el uso y el operador debe prestar especial atención para evitar lo siguiente:

- Lesiones a causa del ruido
 - Use protección para los oídos y limite el tiempo de exposición.
- El ruido procedente de los objetos volantes que salen disparados hacia arriba y hacia delante del impulsor giratorio y de la parte frontal de la máquina o el conducto de descarga.
 - Lleve puesta la protección ocular adecuada en todo momento.

CONOZCA SU PRODUCTO

- Véase la página 133.
1. Asa superior
 2. Encendido/apagado del disparador
 3. Botón de bloqueo del gatillo

4. Cable de control del motor
5. Palanca de rotación del conducto de descarga
6. Clip de bloqueo del mango
7. Eje de rotación del conducto de descarga
8. Palanca de desviación del conducto de descarga
9. Desviador del conducto de descarga
10. LEDs
11. Impulsor
12. Mango intermedio
13. Perilla de ajuste del mango
14. Baje el mango
15. Agarradera
16. Compartimento de la batería de almacenamiento
17. Compartimento de la batería en uso
18. Batería
19. Cargador de pilas

SÍMBOLOS EN EL PRODUCTO



Lea y comprenda todas las instrucciones antes de manipular el producto, respete las advertencias y las instrucciones de seguridad.



Tenga cuidado con los objetos volátiles o lanzados. Mantenga a todos los espectadores, especialmente a los niños y las mascotas, por lo menos a 15 metros de la zona de trabajo.



Utilice protección ocular



PELIGRO! Evite lesionarse con la turbina giratoria. Mantenga las manos, los pies y la ropa alejados.



PELIGRO! Retire la batería y lea las instrucciones del manual antes de despejar un bloqueo. Mantenga las manos y los pies bien alejados de la parte frontal de la máquina y del conducto de descarga.

Los productos eléctricos de desperdicio no deben desecharse con desperdicios caseros. Por favor recíclelos donde existan dichas instalaciones. Compruebe con su autoridad local o minorista para reciclar.



Esta herramienta responde a todas las normas reglamentarias del país de la UE donde se ha comprado.



Certificado EAC de conformidad



Marca de conformidad ucraniana



El mejor nivel de potencia sonora es de 86 dB



Pulse y mantenga pulsado



Apriete y sujete para operar



Compartimento de la batería de almacenamiento



Compartimento de la batería en uso

Lo siguientes símbolos y sus significados pretenden explicar los niveles de riesgo asociados a este producto.

⚠ PELIGRO

Indica una situación potencialmente peligrosa que, de no evitarse, puede ocasionar la muerte o heridas de gravedad.

⚠ ADVERTENCIA

Indica una situación peligrosa que, de no evitarse, puede ocasionar la muerte o heridas de gravedad.

⚠ ADVERTENCIA

Indica una situación potencialmente peligrosa que, de no evitarse, puede ocasionar heridas leves.

ADVERTENCIA

Sin símbolo de alerta de seguridad

Indica una situación que puede causar daños en las cosas.

SÍMBOLOS EN ESTE MANUAL



Las piezas o accesorios se venden por separado



Nota



Advertencia



Cierre



Desbloquear

EN
FR
DE
ES
IT
NL
PT
DA
SV
FI
NO
RU
PL
CS
HU
RO
LV
LT
ET
HR
SL
SK
BG
UK

E' stata data massima priorità a sicurezza, prestazioni e affidabilità nel design di questo spazzaneve senza cavo.

UTILIZZO RACCOMANDATO

Lo spazzaneve senza cavo è indicato solo per l'utilizzo in esterno in aree ben illuminate da un operatore in piedi che cammina dietro al prodotto. Questo spazzaneve senza cavo è adatto per essere utilizzato da adulti che hanno letto e compreso le istruzioni e gli avvertimenti nel presente manuale e che possono quindi essere considerati responsabili delle loro azioni. Per ragioni di sicurezza, l'utensile deve essere adeguatamente controllato utilizzando sempre due mani.

Il prodotto è progettato per rimuovere neve da zone come vialetti, marciapiedi, passaggi pedonali, sentieri, stradine e aree circostanti abitazioni. Il prodotto può spostare neve con una profondità di 25 cm.

Il prodotto non deve essere messo in funzione con le ruote fuori del terreno. Non salire sul prodotto. Utilizzare il prodotto solo come descritto nel presente manuale e non utilizzarlo per altri scopi.

NORME DI SICUREZZA GENERALI

⚠ AVVERTENZA

Quando si utilizza questo prodotto, seguire eventuali norme di sicurezza. Per la propria sicurezza e per la sicurezza degli osservatori, leggere queste istruzioni prima di mettere in funzione il prodotto. Conservare le istruzioni per eventuali riferimenti futuri.

⚠ AVVERTENZA

Il prodotto deve essere messo in funzione solo con un gruppo batterie. Quando si utilizzano utensili a batterie seguire sempre precauzioni di sicurezza per ridurre il rischio di incendio, perdita di liquidi da batterie e gravi lesioni alla persona.

UTILIZZO

- Leggere e comprendere le istruzioni e gli avvertimenti di sicurezza. Familiarizzare con i comandi e il corretto utilizzo del prodotto.
- Non permettere mai a bambini o persone

con ridotte capacità fisiche, sensoriali o mentali o a persone che non conoscono queste istruzioni di mettere in funzione, o svolgere le operazioni di pulizia e manutenzione sul prodotto. Leggere i locali possono limitare l'età dell'operatore. Supervisionare adeguatamente i bambini per assicurarsi che non giochino con il prodotto.

- Ricordare che l'operatore sarà responsabile di eventuali lesioni o danni a persone o cose.
- Tenere osservatori, bambini e animali ad almeno 15 metri di distanza dall'area delle operazioni. Arrestare il prodotto nel caso in cui eventuali osservatori entrino nell'area di lavoro.
- Non utilizzare il prodotto se stanchi, malati o sotto l'influenza di alcool, droghe o medicinali.
- Fare attenzione per evitare di scivolare o cadere, soprattutto quando si opera in senso inverso.

PREPARAZIONE

- Ispezionare attentamente la zona nella quale il dispositivo deve essere utilizzato e rimuovere eventuali zerbini, slitte, assi, cavi ed altri corpi estranei.
- Mentre si mette in funzione il dispositivo indossare sempre abbigliamento invernale adeguato e calzature di sicurezza anti-scivolo. Evitare di indossare abbigliamento con parti svolazzanti o con cordicelle o cordini pendenti; tali elementi potranno infatti rimanere impigliati nelle parti in movimento.
- Assicurare i capelli lunghi al di sopra delle spalle per evitare che rimangano impigliati nelle parti in movimento.
- Indossare sempre la protezione completa occhi mentre si utilizza questo prodotto. La ditta produttrice raccomanda di utilizzare una maschera per il volto o visiere ermeticamente chiuse. Normali occhiali scuri o da sole non costituiscono una protezione adeguata. Gli oggetti potranno essere scagliati ad alta velocità e potranno rimbalzare da superfici dure verso l'operatore. Utilizzare sempre adeguate maschere per la polvere, elmetti, o cuffie di protezione.
- Assicurarsi prima di ciascun utilizzo che

tutti i comandi e i dispositivi di sicurezza funzionino correttamente. Non utilizzare l'utensile se l'interruttore "off" (spento) non arresta il prodotto.

- Prima di ciascun utilizzo, controllare sempre il prodotto per verificare se la sede non sia danneggiata e gli schermi e i manici siano al loro posto e siano correttamente assicurati.
- Portare il prodotto presso un centro servizi autorizzato per sostituire etichette danneggiate o illeggibili.
- Lasciare che il dispositivo si regoli sulla base delle temperature esterne prima di iniziare a spalare la neve.

UTILIZZO E MANUTENZIONE DI UN UTENSILE A BATTERIE

- Leggere, comprendere e seguire sempre le istruzioni di sicurezza fornite con la batteria e con il caricatore. La mancata osservanza potrà causare scosse elettriche, incendi o altre situazioni pericolose. Conservare tutte le istruzioni assieme in un luogo sicuro per eventuali riferimenti futuri.
- Gli utensili a batterie non devono essere collegati a una presa per funzionare; tali utensili sono quindi in grado di funzionare sempre. Rimuovere il gruppo batterie prima di svolgere eventuali regolazioni, operazioni di pulizia o rimuovere materiale dall'unità.
- Ricaricare il gruppo batterie solo con il caricatore indicato dalla ditta produttrice. Utilizzare un caricatore con un gruppo batterie non compatibile potrà creare un rischio di incendio. Utilizzare solo il caricatore indicato nelle istruzioni.
- Utilizzare solo il gruppo batteria indicato per questo utensile. L'utilizzo di gruppi batteria diversi da quello indicato potrà causare rischi di incendi, scosse elettriche o lesioni alla persona.
- Quando il gruppo batterie non viene utilizzato, tenerlo lontano da oggetti in metallo come fermagli, monete, chiavi, chiodi, viti o altri piccoli oggetti che potranno fare da tramite da un terminale all'altro. Cortocircuitare i terminali del gruppo batterie assieme potrà causare scintille, scottature, incendi o esplosioni.
- Non posizionare i prodotti a batteria o le loro batterie vicino a fuoco o fonti di calore.

Ciò aumenterà il rischio di esplosioni e di possibili lesioni.

- Non aprire o danneggiare la batteria. Il liquido elettrolitico rilasciato è corrosivo e può causare danni agli occhi e alla pelle. Può essere tossico se ingoiato.
- Proteggere il gruppo batterie da acqua e umidità. Non caricare la batteria in un luogo umido o bagnato. Il rispetto di tale norma limita il rischio di incendi, scosse elettriche e lesioni fisiche.
- In caso di danni e di utilizzo improprio della batteria, l'utensile potrà emettere dei vapori. Esporsi ad aria fresca e rivolgersi a un medico in caso di malore. I vapori creati potranno irritare il sistema respiratorio.
- Non lasciare il gruppo batterie all'interno di un veicolo in temperature estremamente alte o basse.
- Il gruppo batterie agli IONI DI LITIO può essere utilizzato a temperature fino a -20°C. Mettere il gruppo batterie sul prodotto e utilizzarlo per lavori leggeri. Dopo circa un minuto, il gruppo batterie si sarà riscaldato e le operazioni inizieranno normalmente.
- Non bruciare la batteria. Quando la batteria è scarica, smaltirla correttamente seguendo le norme locali della propria zona.
- Se sottoposto a stress, la batteria potrà perdere dei liquidi; evitare il contatto. Se si entra accidentalmente in contatto con tali liquidi, lavarsi immediatamente con acqua. Se il liquido entra negli occhi, rivolgersi a un medico. Il liquido espulso dalla batteria potrà causare irritazioni o scottature.

NORME DI SICUREZZA SPAZZANEVE

- Tenere mani e piedi lontani dalle parti rotanti.
- Fare sempre attenzione, osservare le operazioni di lavoro e utilizzare senso comune quando si mette in funzionamento l'unità. Un momento di disattenzione mentre si mette in funzione il prodotto potrà causare gravi lesioni personali.
- Fare la massima attenzione quando si mette in funzione il dispositivo su viali con ghiaia, vialetti o strade, o si attraversano gli stessi. Fare estrema attenzione a rischi nascosti o traffico.
- Non utilizzare mai la macchina a velocità di

trasporto elevate su superfici sdruciolevoli. Prestare attenzione durante la retromarcia.

- Non dirigere lo scarico verso eventuali osservatori né permettere ad altri di sostare davanti al prodotto.
- Non spalare la neve sui pendii delle colline. Fare estrema attenzione quando si cambia direzione sui pendii. Non tentare di rimuovere la neve da pendii ripidi.
- Non mettere in funzione il prodotto senza aver montato adeguati schermi e piastre o altri dispositivi di protezione di sicurezza.
- Non mettere in funzione il prodotto accanto a divisori in vetro, automobili, finestre o porte senza aver prima regolato correttamente l'angolo di spatatura neve. Tenere eventuali osservatori, soprattutto animali e bambini, lontani dall'area di taglio.
- Posizionare sempre il prodotto su superfici dure e pulite e mai su altro tipo di superfici, quando il motore è avviato. Ghiaia, sabbia e altri detriti potranno essere aspirati dalla griglia dell'aria e scagliati verso l'operatore o l'osservatore, causando gravi lesioni possibili.
- Non sovraccaricare la capacità della macchina tentando di rimuovere la neve troppo velocemente.
- Utilizzare il dispositivo in un'area bene illuminata e individuare ostacoli o pericoli nascosti grazie ai fari del dispositivo.
- Non utilizzare il prodotto in caso di rischi di fulmini.
- Tenersi sempre lontani dalle aperture di scarico. Non inserire oggetti nelle aperture.
- Non mettere in funzione l'utensile in atmosfere esplosive, come in presenza di liquidi infiammabili, gas o polvere.
- Mantenere sempre un appoggio saldo e l'equilibrio. Non protendersi. Protendersi potrà causare una perdita di equilibrio.
- Assicurarsi sempre un solido equilibrio su pendii e camminare sempre, non correre mai.
- Non modificare l'utensile in alcun modo né utilizzare parti e accessori non raccomandati dalla ditta produttrice.
- Non tentare mai di apportare eventuali modifiche, mentre il motore è in funzione, tranne nei casi specificamente

raccomandata dal fabbricante.

⚠ AVVERTENZA

Se il prodotto cade, subisce impatti pesanti o inizia a vibrare in maniera anomala, arrestarlo e controllare eventuali danni per identificare la causa delle vibrazioni. Riparare eventuali danni o far sostituire i pezzi da un centro servizi autorizzato.

- Per ridurre il rischio di lesioni associato con il contatto con le parti rotanti, arrestare sempre il prodotto, rimuovere il gruppo batterie, assicurandosi che tutte le parti si siano arrestate:
 - prima di svolgere operazioni di pulizia o rimuovere un blocco
 - quando si lascia il prodotto incustodito
 - prima di svolgere operazioni di controllo, manutenzione o lavoro sul prodotto
 - Dopo aver colpito un corpo estraneo controllare il prodotto per individuare eventuali danni
 - se il prodotto inizia a vibrare in maniera anormale (controllare immediatamente)

CONSIGLI PER UN ADEGUATO FUNZIONAMENTO

- Il prodotto non funzionerà se il manico superiore non sarà correttamente fissato e il dispositivo di blocco del manico non sarà stato correttamente inserito. Il prodotto è dotato di due dispositivi di blocco di sicurezza per aiutare a prevenire un avvio accidentale nel caso in cui il prodotto non sia stato correttamente montato.
- Fare attenzione alla direzione del vento prima di mettere in funzione il dispositivo. Scaricare la neve nella stessa direzione del vento per evitare che la stessa torni indietro e venga scagliata contro l'operatore.
- Una volta concluse le operazioni di lavoro lasciare il motore in funzione ancora per qualche minuto, quindi spingere in avanti e indietro la leva di rotazione scivolo alcune volte e rimuovere l'eventuale neve in eccesso dallo stesso.

TRASPORTO E RIPONIMENTO

- Arrestare l'utensile, rimuovere il gruppo batterie e lasciare che l'utensile si raffreddi prima di riporlo o trasportarlo.

- Rimuovere eventuali materiali di scarto dal prodotto. Riporre in un luogo asciutto e ben ventilato non accessibile ai bambini. tenerlo a distanza da agenti corrosivi, come le sostanze chimiche per il giardinaggio e il fondente chimico. Non riporre all'esterno.
- Per il trasporto, assicurare l'utensile contro il movimento e la caduta per prevenire lesioni a persone o danni alla macchina.

MANUTENZIONE

⚠ AVVERTENZA

Utilizzare solo parti di ricambio, accessori e dispositivi originali della ditta produttrice. In caso contrario si potranno causare lesioni, prestazioni basse e la garanzia verrà invalidata.

⚠ AVVERTENZA

Le operazioni di manutenzione devono essere svolte con grande attenzione e accortezza solo da un tecnico qualificato. Portare il prodotto presso un centro servizi autorizzato. Quando l'attrezzo viene riparato, utilizzare solo ricambi identici.

- L'operatore potrà fare le regolazioni e riparazioni descritte nel presente manuale. Per ulteriori riparazioni, contattare il centro servizi autorizzato.
- Dopo ogni uso, pulire il prodotto con una panno morbido e asciutto.
- Controllare frequentemente dadi, bulloni e viti, verificando che siano stati assicurati correttamente per fare in modo che il prodotto garantisca condizioni di lavoro ottimali. Riparare eventuali parti danneggiate o farle sostituire da un centro servizi autorizzato.

RIMOZIONE DEI BLOCCHI

⚠ AVVERTENZA

Non mettere mai mani o piedi davanti al prodotto o allo scivolo di scarico per evitare gravi lesioni.

- Rilasciare il grilletto e rimuovere il gruppo batterie.
- Assicurarsi che tutte le parti in movimento

si siano arrestate.

- Utilizzare un palo in legno per rimuovere il blocco.
- Girare il gruppo ventole utilizzando l'asta in legno.
- Fare attenzione dal momento che il gruppo ventole potrà spostarsi da solo durante la rimozione del blocco a causa della energia immagazzinata nel meccanismo.
- Quando l'asta in legno sarà in grado di girare il gruppo ventole, l'operatore dovrà spostarsi verso la parte posteriore del prodotto.
 - E' normale per il meccanismo della ventola avere un movimento a scatti.
- Accertarsi che sia sicuro continuare a spazzare la neve.
- Montare il gruppo batterie. Attivare il prodotto.

RISCHI RESIDUI:

Anche quando l'utensile è utilizzato come indicato nel manuale, non è completamente impossibile eliminare alcuni fattori di rischio residuo. Si potranno verificare i seguenti rischi durante l'utilizzo e l'operatore dovrà prestare attenzione speciale per evitare quanto segue:

- Lesioni causate dal rumore.
 - Indossare cuffie di protezione e limitare l'esposizione.
- Lesioni da oggetti volanti scagliati in aria e verso l'operatore dalle ventole rotanti posizionate nella parte posteriore del dispositivo o dallo scivolo per la neve.
 - Indossare sempre protezione occhi adeguata.

FAMILIARIZZARE CON IL PRODOTTO

Vedere pagina 133.

1. Manico superiore
2. Acceso/spento grilletto
3. Tasto di blocco grilletto
4. Cavo di controllo motore
5. Leva rotazione scivolo
6. Dispositivo di blocco manico
7. Asta di rotazione scivolo
8. Manico deflettore scivolo
9. Deflettore scivolo
10. Luci al LED
11. Gruppo ventole
12. Manico centrale
13. Manopola di regolazione manico

14. Abbassare il manico
15. Manico per Trasporto/Sollevamento utensile
16. Vano riponimento batteria
17. Vano batteria utilizzato
18. Batteria
19. Caricatore batteria

SIMBOLI SUL PRODOTTO



Leggere e comprendere tutte le istruzioni prima di mettere in funzione il prodotto, seguire tutte le istruzioni e le avvertenze di sicurezza.



Fare attenzione ad oggetti scagliati o lanciati dall'utensile. Tenere lontani tutti gli osservatori, soprattutto bambini e animali, ad almeno 15 m dalla zona di funzionamento.



Indossare dispositivi di protezione occhi



PERICOLO! Evitare lesioni da ventole rotanti. Tenere mani, piedi e abiti con parti svolazzanti lontani.



PERICOLO! Rimuovere la batteria e leggere le istruzioni nel manuale prima di rimuovere un blocco. Tenere mani e piedi lontani dalla parte anteriore della macchina e dallo scivolo di scarico.



I prodotti elettrici non devono essere smaltiti con i rifiuti domestici. Vi sono strutture per smaltire tali prodotti. Informarsi presso il proprio Comune o rivenditore di sicurezza per smaltire adeguatamente tali rifiuti.



Questo apparecchio è conforme a tutte le norme vigenti nel paese dell'UE in cui è stato acquistato.



Marchio di conformità EurAsian



Marchio di conformità ucraino



Il livello di potenza sonora garantito è 86 dB



Spingere e trattenere



Premere e tenere premuto per mettere in funzione



Vano riponimento batteria



Vano batteria utilizzato

Le parole e i messaggi di avvertimento spiegano i livelli di rischio associato con il prodotto.

⚠ PERICOLO

Indica una situazione pericolosa che, se non evitata attentamente, potrà causare gravi lesioni alla persona o morte.

⚠ AVVERTENZA

Indica una situazione potenzialmente pericolosa che, se non evitata attentamente, potrà causare gravi lesioni alla persona o morte.

⚠ ATTENZIONE

Indica una situazione potenzialmente pericolosa che, se non evitata attentamente, potrà causare lesioni minori o moderate alla persona.

ATTENZIONE

Senza simbolo di allerta di sicurezza
Indica una situazione che potrà risultare in gravi danni a cose.

SIMBOLI NEL PRESENTE MANUALE



Parti o accessori venduti separatamente



Note



Avvertenze



Blocco



Sblocco

EN
FR
DE
ES

IT

NL

PT

DA

SV

FI

NO

RU

PL

CS

HU

RO

LV

LT

ET

HR

SL

SK

BG

UK

Veiligheid, prestaties en betrouwbaarheid kregen toprioriteit in het ontwerp van uw snoerloze sneeuwrees.

VOORGESCHREVEN GEBRUIK

De snoerloze sneeuwrees is uitsluitend geschikt voor buitenshuis gebruik in een goed verlichte omgeving door een rechtop staande bediener die achter het product wandelt. De snoerloze sneeuwrees is uitsluitend geschikt om te worden gebruikt door volwassenen die de instructies en waarschuwingen in deze gebruiksaanwijzing hebben gelezen en begrepen en die als verantwoordelijk voor hun handelingen kunnen worden. Omwille van veiligheidsredenen moet het product correct worden bediend door steeds twee handen te gebruiken.

Het product is ontworpen voor het ruimen van sneeuw op plaatsen, zoals vb. een oprit, voetpad, pad, wegdek en rond het huis. Het product kan sneeuw ruimen tot een diepte van 25 cm.

Het product mag nooit worden gebruikt met de wielen van de grond. U mag niet op het product rijden. Het product mag uitsluitend worden gebruikt, zoals beschreven in deze handleiding en mag niet worden gebruikt voor een andere doelstelling.

ALGEMENE VEILIGHEIDSVORSCHRIFTEN

⚠ WAARSCHUWING

Wanneer u het product gebruikt, moeten de veiligheidsregels worden opgevolgd. Voor uw eigen veiligheid en deze van omstanders, dient u deze instructies te lezen voor u het product gebruikt. Bewaar de instructies voor later gebruik.

⚠ WAARSCHUWING

Het product mag uitsluitend met behulp van een batterijpack worden gebruikt. Wanneer u een accuaangedreven machine gebruikt, moeten altijd standaard veiligheidsmaatregelen worden genomen om het risico op brand, lekkende accu's en letsels te vermijden.

OPLEIDING

- Lees en begrijp de instructies en

veiligheids waarschuwingen. Wees vertrouwd met de bedieningen en het correct gebruik van het product.

- Laat kinderen of mensen met verminderde fysieke, zintuiglijke of mentale vermogens of mensen die niet met deze instructies vertrouwd zijn, het product niet bedienen, reinigen of onderhouden. De plaatselijke wetgeving kan beperkingen opleggen i.v.m. de leeftijd van de bediener. Kinderen moeten onder toezicht staan om ervoor te zorgen dat ze niet met het product spelen.
- Hou er rekening mee dat de bediener of gebruiker verantwoordelijk is voor ongevallen of gevaren t.o.v. anderen of hun eigendom.
- Houd omstanders, kinderen en huisdieren op tenminste 15m afstand van het werkgebied. Leg het product stil als iemand het werkgebied betreedt.
- Gebruik het product nooit als u moe of ziek bent of onder de invloed van alcohol, drugs of medicijnen staat.
- Wees voorzichtig om te voorkomen dat uitglijden of vallen, vooral wanneer die in omgekeerde volgorde.

VOORBEREIDING

- Inspecteer grondig de omgeving waar de machine moet worden gebruikt en verwijder alle deurmatten, sledes, borden, kabels en andere vreemde voorwerpen.
- Draag altijd geschikte winterkledij en antislipschoenen terwijl u de machine bedient. Vermijd het dragen van losse kledij of kledij met loshangende snoeren; ze kunnen verstrikt raken in de bewegende delen.
- Maak lang haar vast boven schouderhoogte om te voorkomen dat het verstrikt raakt in de bewegende delen.
- Draag steeds volledige gezichtsbescherming terwijl u dit product gebruikt. De fabrikant raadt ten eerste het gebruik aan van een volledig gezichtsmasker of een gesloten veiligheidsbril. Een normale bril of zonnebril is geen afdoende bescherming. Voorwerpen kunnen aan hoge snelheid worden weggeworpen en kunnen vanop een hard oppervlak in de richting van de bediener worden teruggeworpen. Een stofmasker, harde veiligheidshelm of

gehoorbescherming moeten in de geschikte omstandigheden worden gebruikt.

- Controleer voor elk gebruik of alle bedieningsknoppen en veiligheidsinrichtingen goed functioneren. Gebruik het werktuig niet als de "uit"-knop het product niet stillegt.
- Voor elk gebruik inspecteert u altijd visueel of de behuizing onbeschadigd is en dat alle beschermers en handvatten goed zijn gemonteerd en stevig vastgemaakt.
- Breng het product naar een geautoriseerd onderhoudscentrum om beschadigde of onleesbare etiketten te vervangen.
- Laat de machine zich aan de buitentemperatuur aanpassen voor u sneeuw begint te ruimen.

GEBRUIK EN ONDERHOUD VAN HET ACCUAANGEDREVEN WERKTUIG

- Lees, begrijp en volg altijd de veiligheidsvoorschriften die met uw batterij en lader werden meegeleverd. Als u dit niet doet, kan dit leiden tot een elektrische schok, brand of een andere gevaarlijke situatie. Bewaar alle instructies samen op een veilige plaats voor later gebruik.
- Accuaangedreven gereedschap hoeft niet met een stopcontact te zijn verbonden en bevindt zich daarom altijd in een gebruiksklare toestand. Verwijder het accupack voor u de machine afstelt, reinigt of materiaal uit de machine verwijdt.
- Een accupack mag uitsluitend worden herladen met de lader die door de fabrikant wordt gespecificeerd. Wanneer u een lader met een niet-compatibel accupack gebruikt kan dit een risico op brand veroorzaken. Gebruik uitsluitend de oplader die in de instructies wordt opgelijst.
- Gebruik uitsluitend accupacks die specifiek voor de machine zijn bedoeld. Het gebruik van een ander accupack kan leiden tot risico op brand, elektrische schok of lichamelijke letsels.
- Wanneer het accupack niet wordt gebruikt, moet u het weg houden van andere metalen objecten, zoals papierclips, munten, sleutels, spijkers, schroeven of andere kleine metalen voorwerpen die een verbinding kan maken van een terminal naar een andere. Het kortsluiten van de batterijterminals kan vonken, brand,

brandwonden of een explosie veroorzaken.

- Plaats geen accuprodukten of hun accu's in de buurt van vuur of hitte. Dit verhoogt het risico op explosies en mogelijke verwondingen.
- Open of beschadig het accupack nooit. Vrijgekomen elektrolyt is corrosief en kan schade aan ogen of huid veroorzaken. Het kan giftig zijn indien het wordt ingenomen.
- Bescherm het accupack tegen vocht en water. Laad het accuaangedreven werktuig niet op een vochtige of natte plek op. Zo kunt u het gevaar voor brand, elektrische schokken of lichamelijke letsels beperken.
- In geval van schade en oneigenlijk gebruik van de accu, kan er stoom vrijkomen. Zorg voor verse lucht en raadpleeg medische hulp ingeval van klachten. De stoom kan leiden tot irritatie van de luchtwegen.
- Laat het batterijpack niet in een voertuig achter in warme of koude omstandigheden.
- Het LITHIUM-ION batterijpack kan worden gebruikt bij temperaturen tot -20°C. Plaats het batterijpack op het product en gebruik het product bij lichte toepassingen. Na ongeveer een minuut zal het pack zijn opgewarmd en normaal beginnen werken.
- Verbrand de accu niet. Wanneer de batterij haar levensduur heeft overschreden, voert u deze af in overeenstemming met de plaatselijke reglementen van uw buurt.
- In oneigenlijke omstandigheden, kan een vloeistof uit de accu lekken; vermijd contact hiermee. Als per ongeluk contact voorkomt, spoelt u met water. Als de vloeistof in contact komt met de ogen, dient u bijkomend medische hulp te raadplegen. Vloeistof die uit de accu lekt, kan irritatie of brandwonden veroorzaken.

VEILIGHEIDSREGELS SNOERLOZE SNEEUWFREES

- Steek uw handen of voeten niet in de buurt van of onder ronddraaiende onderdelen.
- Blijf alert en kijk naar wat u doet en gebruik uw gezond verstand wanneer u de machine gebruikt. Een ogenblik van onoplettendheid tijdens het gebruik van het product kan leiden tot ernstige persoonlijke letsels.
- Wees bijzonder voorzichtig wanneer u werkt op grindopritten, -paden of -wegen

of deze oversteekt. Wees alert voor verborgen gevaren of verkeer.

- Gebruik de machine nooit met hoge snelheid vervoer op een gladde ondergrond. Wees voorzichtig bij het achteruitrijden.
- Richt de uitlaat nooit in de richting van omstanders of laat niemand voor het product staan.
- Ruim geen sneeuw dwars in de richting van een helling. Wees uiterst voorzichtig wanneer u op een helling van richting verandert. Probeer geen steile hellingen te ruimen.
- Bedien het product nooit zonder dat de beschermers, platen of andere veiligheidsinrichtingen zijn geïnstalleerd.
- Bedien het product nooit in de omgeving van glazen constructies, auto's, ramen of deuren zonder de sneeuwuitlaathoek correct af te stellen. Houd alle omstanders weg van de werkplaats, in het bijzonder kinderen en huisdieren.
- Plaats het product uitsluitend op een hard, schoon oppervlak wanneer de motor draait. Grind, zand en ander afval kunnen door de luchtinlaat worden opgezogen en in de richting van de bediener of omstanders worden weggegooid, waardoor ernstige verwondingen kunnen ontstaan.
- Overbelast de machinecapaciteit niet door sneeuw in een te snel tempo te ruimen.
- Gebruik de machine op een goed verlichte plaats en kijk uit voor obstakels of gevaren die door de koplampen van de machine worden verlicht.
- Gebruik het product niet als er gevaar is voor bliksem.
- Hou de uitlaatorening altijd vrij. Plaats geen voorwerpen in de openingen.
- Gebruik de machine niet in explosieve atmosferen, zoals in de aanwezigheid van ontvlambare vloeistoffen, gasen of stof.
- Bewaar steeds een stevige houvast en goed evenwicht. Overrek u niet. Rek u niet uit, waardoor u uw evenwicht kunt verliezen.
- Zorg altijd dat u stevig vast staat op hellingen en wandel, ren nooit.
- Het apparaat op geen enkele wijze aanpassen of reserveonderdelen gebruiken die niet worden aanbevolen

door de fabrikant.

- Probeer nooit om aanpassingen te maken terwijl de motor draait, tenzij uitdrukkelijk door de fabrikant aanbevolen.

▲ WAARSCHUWING

Als u het product laat vallen, het een ernstige impact ondergaat of abnormaal begint te trillen, legt u het product onmiddellijk stil en controleert u het op schade of zoekt u naar de oorzaak van de trillingen. Enige schade moet direct worden gerepareerd of vervangen door een bevoegd onderhoudscentrum.

- Om het risico te vermijden op verwondingen die verband houden met contact met roterende onderdelen, legt u het product altijd stil, verwijdert u het batterijpack en zorgt u ervoor dat alle bewegende onderdelen volledig zijn stilgevallen:
 - voor u een blokkering reinigt of weghaalt
 - wanneer u het product onbeheerd achterlaat
 - voor het controleren, onderhouden of werken aan het product.
 - nadat een vreemd voorwerp werd geraakt om het product op schade te controleren.
 - als het product abnormaal begint te trillen (onmiddellijk controleren)

GEBRUIKSTIPS

- Het product werkt niet als het bovenste handvat niet correct is gemonteerd en de vergrendelclip van het handvat niet correct is vastgeklikt. Er zijn twee veiligheidsvergrendelingen om een accidentele start te helpen vermijden wanneer de machine niet correct is gemonteerd.
- Denk aan de windrichting voor u de machine begint te gebruiken. Richt de sneeuwuitlaat in dezelfde richting als de wind om te voorkomen dat de sneeuw terug in uw gezicht wordt geblazen.
- Indien u klaar bent, laat u de motor enkele minuten draaien en draait u de uitlaatrotatiehendel verschillende keren heen en weer om overblijvende sneeuw van de uitlaat te verwijderen.

TRANSPORT EN OPSLAG

- Leg de machine stil, verwijder het batterijpack en laat het werktuig afkoelen voor u het opbergt of vervoert.
- Verwijder alle vreemde voorwerpen van het product. Bewaar op een koele, droge en goed geventileerde plaats die niet toegankelijk is voor kinderen. Houd corrosieve producten, zoals tuinchemicaliën en strooizout uit de buurt van het apparaat. Bewaar niet buitenshuis.
- Voor transport beveiligt u de machine tegen bewegingen of vallen om letsels of schade aan de machine te voorkomen.

ONDERHOUD

⚠ WAARSCHUWING

Gebruik uitsluitend originele vervangonderdelen, accessoires en voorzetstukken van de fabrikant. Als u dit niet doet, kan dit mogelijks letsels of slechte prestaties veroorzaken waardoor uw garantie kan vervallen.

⚠ WAARSCHUWING

Het onderhoud vereist extreme voorzichtigheid en deskundigheid en mag enkel door een gekwalificeerde onderhoudstechnicus worden uitgevoerd. Breng het product naar een geautoriseerd onderhoudscentrum. Gebruik voor het onderhoud alleen identieke vervangingsonderdelen.

- U kunt de afstellingen en reparaties die in deze gebruiksaanwijzing worden vermeld, uitvoeren. Voor andere herstellingen, neemt u contact op met uw geautoriseerd onderhoudsagent.
- Na elk gebruik, reinigt u het product met een zachte, droge doek.
- Controleer regelmatig of alle moeren, bouten en vijzen goed zijn vastgemaakt om zeker te zijn dat het product veilig kan worden gebruikt. Een beschadigd onderdeel moet door een geautoriseerd onderhoudscentrum goed worden gerepareerd of vervangen.

BLOKKADES VRIJMAKEN

⚠ WAARSCHUWING

Plaats uw handen of voeten nooit voor het product of de uitlaat om ernstige verwondingen te voorkomen.

- Laat de hendel los en verwijder het batterijpack.
- Zorg ervoor dat alle bewegende delen volledig tot stilstand zijn gekomen.
- Gebruik een houten stok om obstructies te verwijderen.
- Draai de schoepen met behulp van een houten stok.
- Wees voorzichtig! De schoepen kunnen automatisch bewegen terwijl u een obstructie verwijdert omwille van de energie die in het mechanisme is opgeslagen.
- Als de schoepen met behulp van een houten stok kunnen worden gedraaid, gaat u opnieuw achter het product staan.
 - Het is normaal dat het schoepenmechanisme een stapsgewijze beweging vertoont.
- Zog ervoor dat het veilig is om sneeuw te ruimen.
- Installeer het batterijpack. Schakel het product in.

RESTRISICO'S

Zelfs als de machine zoals voorgeschreven wordt gebruikt, is het onmogelijk om bepaalde restrisico's te vermijden. De volgende gevaren kunnen zich voordoen tijdens het gebruik en de gebruiker dient in het bijzonder aandacht te hebben om de volgende situaties te vermijden:

- Verwondingen veroorzaakt door geluid.
 - Draag gehoorbescherming en beperk de blootstelling.
- Verwondingen veroorzaakt door voorwerpen die door de draaiende schoepen worden op- of weggegooid aan de voorzijde van de machine of vanuit de sneeuwuitlaat.
 - Draag steeds aangepaste gezichtsbescherming.

KEN UW PRODUCT

Zie pagina 133.

1. Bovenste handvat
2. Aan/uit trekker
3. Snelheidsvergrendelknop
4. Motorbesturingskabel
5. Uitlaatrotatiehendel
6. Handvatvergrendelclip
7. Uitlaatrotatieschacht
8. Uitlaatdeflectorhandvat
9. Uitlaatdeflector
10. LED-lampen
11. Schoepen
12. Middelste handvat
13. Handvatafstelknop
14. Onderste handgreep
15. Draag-/Ophefhandvat
16. Opslagcompartiment batterij
17. Compartiment gebruikte batterij
18. Accu
19. Acculader

SYMBOLEN OP HET PRODUCT



Lees en begrijp alle instructies voor u het product bedient, volg alle waarschuwingen en veiligheidsinstructies.



Houd rekening met weggeslingerde of rondvliegende voorwerpen. Houd alle omstanders, in het bijzonder kinderen en huisdieren, op tenminste 15m afstand van het werkgebied.



Draag gezichtsbescherming



GEVAAR! Vermijd letsels door een ronddraaiende schoep. Houd handen, voeten en kledij op afstand.



GEVAAR! Verwijder de batterij en lees de instructies in de gebruiksaanwijzing voor u een obstructie verwijdert. Houd handen en voeten weg van de voorzijde van de machine en de uitlaatklep.



Elektrisch afval mag niet samen met ander huishoudafval worden weggegooid. Gelieve te recyclen indien de mogelijkheid bestaat. Neem contact op met uw lokaal bestuur of handelaar om advies te krijgen over recycling.



Dit apparaat voldoet aan alle geldende normen van Lid-Staat van de Europese Unie waar het werd gekocht.



EurAsian-symbol van overeenstemming



Oekraïens conformiteitssymbool



Het gegarandeerde geluidsniveau bedraagt 86 dB.



Druk en houd ingedrukt.



Druk in en houd ingedrukt om te bedienen.



Opslagcompartiment batterij



Compartiment gebruikte batterij

De volgende signaalwoorden en betekenissen zijn bedoeld om de gevaarniveaus die met het product zijn verbonden, te verklaren:

⚠ GEVAAR

Wijst op een gevaarlijke situatie die, als ze niet wordt voorkomen, dodelijk kan zijn of ernstige verwondingen kan veroorzaken.

⚠ WAARSCHUWING

Wijst op een mogelijks gevaarlijke situatie

die, als ze niet wordt voorkomen, dodelijk kan zijn of ernstige verwondingen kan veroorzaken.

⚠ LET OP

Wijst op een mogelijks gevaarlijke situatie die, als ze niet wordt voorkomen, kleine of middelmatige verwondingen kan veroorzaken.

LET OP

Zonder veiligheidswaarschuwingssymbool
Wijst op een situatie die kan leiden tot materiële schade.

**SYMBOLLEN IN DEZE
GEBRUIKSAANWIJZING**



Onderdelen of accessoires
afzonderlijk verkocht



Opmerking



Waarschuwing



Vergrendeling



Ontgrendelen

Segurança, rendimento e fiabilidade foram a máxima prioridade na hora de desenhar o limpa-neves sem fios.

USO PREVISTO

O limpa-neves sem fios apenas está apto para uso exterior numa zona bem iluminada e com o operador a manipular o aparelho de pé e atrás do mesmo. Este limpa-neves sem fios foi desenhado para ser utilizado por adultos que tenham lido e compreendido as instruções e avisos recolhidos neste manual e que possam ser considerados responsáveis das suas ações. Por razões de segurança, o aparelho tem que ser adequadamente controlado através da operação com as duas mãos em todos os momentos.

O aparelho foi desenhado para despejar a neve em zonas como a entrada da casa, o passeio, os sendeiros, a calçada e as zonas à volta da casa. O aparelho pode mover neve com uma profundidade até 25 cm.

O aparelho nunca deve ser operado sem as rodas estarem apoiadas no chão. Não deve ser montado. O aparelho só deve ser utilizado conforme descrito no presente manual e não deve ser utilizado para qualquer outro fim.

NORMAS GERAIS DE SEGURANÇA

⚠ ADVERTÊNCIA

Ao utilizar o produto, devem seguir-se as normas de segurança. Para a sua própria segurança e a dos que o rodeiam, leia estas instruções antes de utilizar o produto. Guarde as instruções para usá-las no futuro.

⚠ ADVERTÊNCIA

O aparelho apenas deverá funcionar com la bateria. Ao usar a máquina com a bateria a funcionar, deve seguir sempre as precauções básicas de segurança para reduzir o risco de incêndio, fugas da bateria e danos corporais.

FORMAÇÃO

- Leia e entenda as instruções e avisos de segurança. Familiarize-se com os controlos e a utilização adequada do aparelho.
- Nunca permita que crianças ou pessoas

com capacidades físicas, sensoriais ou mentais reduzidas, ou pessoas não familiarizadas com estas instruções, operem, limpem ou realizem qualquer manutenção no aparelho. A legislação local pode restringir a idade do operador. As crianças devem ser mantidas sob vigilância adequada para se garantir que não brincam com o produto.

- Mantenha em mente que o operador ou o utilizador é responsável pelos acidentes ou perigos que ocorrem a outras pessoas ou à sua propriedade.
- Mantenha os transeuntes, as crianças e os animais a 15m de distância da zona de operação. Desligue o aparelho se alguém entrar na área.
- Não utilize o produto quando estiver cansado, doente ou sob a influência do álcool, drogas ou medicamentos.
- Tenha cuidado para não escorregar ou cair, especialmente quando operando em sentido inverso.

PREPARAÇÃO

- Inspeccione cuidadosamente a área onde vai usar a máquina e retire tapetes, trenós, tábuas, cabos e objetos estranhos.
- Enquanto trabalha com a máquina, tenha sempre roupa adequada para o inverno e calçado anti-deslizante de segurança. Evite usar roupa larga com cordões ou gravata, porque poderá encravar nas partes móveis.
- Prenda o cabelo comprido para que fique acima do nível dos ombros para evitar que fique emaranhado em peças móveis.
- Coloque sempre uma proteção total para os olhos enquanto manipula este aparelho. O fabricante recomenda encarecidamente o uso de uma máscara completa ou de umas luvas protetoras totalmente fechadas. Os óculos normais ou de sol não são uma proteção adequada. Alguns objetos podem sair disparados a grande velocidade e fazer ricochete em superfícies duras em direção ao operador. Deve-se utilizar máscara antipó, capacete ou proteção para os ouvidos.
- Certifique-se antes de cada uso que todos os controlos e dispositivos de segurança funcionam corretamente. Não utilize a ferramenta se o interruptor “off” não parar

o aparelho.

- Antes de cada uso, observe sempre a armação para verificar que não está danificada e que as proteções e cabos estão no seu sítio e corretamente fixos.
- Para substituir as peças danificadas ou as etiquetas ilegíveis leve o aparelho a um centro de serviço autorizado.
- Deixe que a máquina se ajuste à temperatura exterior antes de começar a remover a neve.

UTILIZAÇÃO E MANUTENÇÃO DA BATERIA

- Leia, compreenda e siga sempre as instruções de segurança que são fornecidas com a sua bateria e carregador. A não observância pode resultar em choque eléctrico, incêndio ou outras situações de perigo. Guarde todas as instruções juntas num local seguro para futuras consultas.
- As ferramentas de bateria não têm que estar ligadas a uma tomada eléctrica, por conseguinte, estarão sempre em estado de funcionamento. Extraia a bateria antes de fazer qualquer ajuste, limpeza ou de tirar material da unidade.
- A bateria apenas deve ser carregada apenas com o carregador especificado pelo fabricante. O uso de um carregador com um pacote de baterias incompatíveis pode criar um risco de incêndio. Utilize apenas o carregador indicado nas instruções.
- Utilize apenas a bateria concebida especificamente para a máquina. O uso de qualquer outra bateria pode resultar num risco de incêndio, choque eléctrico ou danos corporais.
- Quando a bateria não estiver a ser utilizada, mantenha-a afastada de outros objectos metálicos como cliques de papel, moedas, chaves, pregos, parafusos, ou outros pequenos objectos metálicos que podem fazer a ligação de um terminal para outro. Curto circuitar os terminais da bateria pode provocar faíscas, queimaduras, incêndios e explosões.
- Não coloque aparelhos com bateria ou as respectivas baterias perto de fogo ou fontes de calor. Tal aumenta o risco de explosão e de lesões.
- Não abra nem danifique a bateria. O electrólito libertado é corrosivo e pode

causar danos nos olhos ou na pele. Pode ser tóxico no caso de ingestão.

- Proteja a bateria contra a humidade e a água. Não carregue a ferramenta com bateria num local húmido ou molhado. Reduz assim os riscos de choque eléctrico, de incêndio ou de ferimentos graves.
- Em caso de danos e uso inadequado da bateria, poderia emitir-se vapor. Proporciono ar fresco e vá a um médico em caso de queixas. O vapor pode irritar o sistema respiratório.
- Não deixe a bateria dentro de um veículo em condições de frio ou calor.
- A bateria de IÃO DE LÍTIU pode-se utilizar em temperaturas até -20°C. Coloque a bateria num produto e utilize-a numa aplicação que requeira pouca potência. Após aproximadamente um minuto, a bateria já terá aquecido e começará a funcionar normalmente.
- Não queime a bateria. Quando acabar a sua vida útil, deite-a fora corretamente seguindo a normativa local da sua zona.
- Sob circunstâncias abusivas, o líquido pode ser ejectado da bateria, evite o contacto. Se o contacto ocorrer acidentalmente, limpe com água abundante. Se o líquido entrar em contacto com os olhos, procure adicionalmente assistência médica. O líquido ejectado da bateria pode causar irritação ou queimaduras.

NORMAS DE SEGURANÇA DO LIMPA-NEVES SEM FIOS

- Não coloque as mãos ou os pés próximo das peças rotativas.
- Ao operar esta unidade, permaneça alerta, tenha em atenção ao que está a fazer e use o bom senso. Um momento de desatenção enquanto opera o produto pode resultar em ferimentos graves.
- Tenha extrema precaução quando utilizar a máquina em caminhos, sendeiros ou estradas com gravilha ou em cruzamentos. Esteja alerta a riscos não visíveis ou ao trânsito.
- Nunca utilize a máquina em altas velocidades de transporte em superfícies escorregadias. Tenha cuidado ao inverter.
- Nunca dirija a descarga aos transeuntes nem deixe que ninguém se coloque à

frente do aparelho.

- Não limpe a neve de frente para um declive. Tenha extrema cautela ao mudar de direcção nas inclinações. Não tente limpar um declive pronunciado.
- Nunca utilize o aparelho sem ter colocado a protecção, as placas ou outro tipo de dispositivo de segurança pertinente.
- Nunca opere o aparelho perto de recintos de vidro fechados, automóveis, janelas ou portais sem ter ajustado corretamente o ângulo de descarga de neve. Mantenha as pessoas fora da área de trabalho, especialmente as crianças e animais de estimação.
- Nunca coloque o aparelho numa superfície que não seja uma superfície dura e limpa, quando o motor estiver em funcionamento. A gravilha, a areia e outros restos podem ser arrastados pelo jorro de ar e disparados para o operador ou para os transeuntes, provocando lesões graves.
- Não sobrecarregue a capacidade da máquina tentando tirar a neve com muita rapidez.
- Utilize a máquina num local bem iluminado e tenha cuidado com os obstáculos ou os perigos que iluminem as luzes da máquina.
- Não utilize o aparelho quando houver risco de relâmpago.
- Mantenha sempre a abertura de descarga desobstruída. Não coloque nenhum objeto nas aberturas.
- Não opere a máquina em atmosferas explosivas, tais como na presença de líquidos inflamáveis, gases ou poeira.
- Mantenha-se bem apoiado e equilibrado. Não se aproxime em demasia. Tentar esticar-se demais pode provocar a perda de equilíbrio.
- Assegure-se sempre de que está numa posição firme e segura quando se encontre numa costa e desloque-se a caminhar, nunca a correr.
- Não modifique a máquina em qualquer forma nem use peças e acessórios que não sejam recomendados pelo fabricante.
- Nunca tente fazer qualquer ajuste, enquanto o motor está a funcionar, excepto quando especificamente recomendado pelo fabricante.

⚠ ADVERTÊNCIA

Se o aparelho cair, sofrer um impacto forte ou começar a vibrar de maneira anormal, pare-o imediatamente e verifique se está danificado ou identifique o motivo da vibração. Qualquer dano deve ser devidamente reparado ou substituído por um centro de assistência autorizado.

- Para reduzir o risco de lesões associado ao contacto com as partes giratórias, pare sempre o aparelho, retire a bateria e assegure-se de que todas as partes deixaram de se mover:
 - antes de limpar ou despejar uma obstrução
 - quando deixar o aparelho sem ninguém
 - antes de verificar, fazer a manutenção ou funcionar com o produto
 - depois de bater num objeto estranho para inspecionar o aparelho e ver se está danificado
 - se o produto começar a vibrar de forma anormal (verifique imediatamente)

CONSELHOS DE FUNCIONAMENTO

- O aparelho não funcionará se a pega superior não estiver bem colocada e o clipe que bloqueia a pega não estiver bem fechado. Há dois bloqueios de segurança que ajudam a prevenir o arranque acidental quando a máquina não está corretamente montada.
- Tenha em conta a direcção do vento antes de trabalhar com a máquina. Descarregue a neve na mesma direcção que o vento para evitar que o vento empurre novamente a neve para a sua cara.
- Quando terminar, deixe o motor funcionar durante mais alguns minutos, rode a alavanca de rotação da conduta de descarga para a frente e para trás várias vezes para eliminar os restos de neve.

TRANSPORTE E ARMAZENAMENTO

- Pare a máquina, retire a bateria e deixe a ferramenta arrefecer antes de a armazenar ou transportar.
- Limpe todos os materiais estranhos do produto. Guarde-o num local fresco e seco e bem ventilado a que as crianças não consigam aceder. Mantenha-o afastado de

substâncias corrosivas, tais como produtos químicos utilizados em jardinagem e sais de descongelamento. Não armazenar ao ar livre.

- Para o transporte, segure a máquina para não se mover nem cair e evitar assim lesionar alguém ou danificar a máquina.

MANUTENÇÃO

⚠ ADVERTÊNCIA

Utilize apenas peças de substituição, acessórios e encaixes do fabricante original. A inobservância desta indicação pode causar um fraco desempenho, possíveis lesões e poderá anular a sua garantia.

⚠ ADVERTÊNCIA

Os serviços de manutenção requerem extremo cuidado e conhecimentos e devem apenas ser realizado por um técnico de assistência qualificado. Leve o aparelho a um centro de serviço autorizado. Ao realizar serviços de manutenção, use apenas peças de substituição idênticas.

- Pode realizar os ajustes e reparações descritos neste manual do utilizador. Para outro tipo de reparações entre em contacto com um agente de serviço autorizado.
- Limpar o produto com um pano suave seco depois de cada uso.
- Verifique todas as porcas, pregos e parafusos com intervalos frequentes para confirmar a tensão apropriada e se certificar que o produto está em condições seguras de funcionamento. Qualquer peça danificada deve ser substituída ou reparada adequadamente por um centro de serviço autorizado.

LIMPEZA DE OBSTRUÇÕES

⚠ ADVERTÊNCIA

Nunca coloque as mãos ou os pés à frente do aparelho ou da conduta de descarga, assim evitará lesões graves.

- Solte o gatilho e retire a bateria.
- Certifique-se de que todas as peças em movimento pararam completamente.

- Utilize um pau de madeira para tirar o bloqueio.
- Rode o conjunto de impulsor com um pau de madeira.
- Tenha cuidado, o impulsor pode mover-se enquanto tira o bloqueio devido à energia acumulada no mecanismo.
- Quando tiver rodado o impulsor com o pau de madeira, mova-se para a parte traseira do aparelho.
 - É normal que o mecanismo impulsor faça movimentos escalonados.
- Assegure-se de que é seguro continuar a remover neve.
- Coloque a bateria. Ligue o aparelho.

RISCOS RESIDUAIS:

Mesmo quando a máquina é usada conforme prescrito, ainda é impossível eliminar completamente determinados factores de risco residuais. Os seguintes perigos podem surgir na utilização e o operador deve prestar especial atenção para evitar o seguinte:

- Lesões devido ao ruído
 - Use proteção para os ouvidos e limite o tempo de exposição.
- O ruído procedente dos objetos voadores que saem disparados para cima e para a frente do impulsor giratório e da parte frontal da máquina ou da conduta de descarga.
 - Coloque sempre a proteção ocular adequada.

CONHEÇA O SER APARELHO

Ver a página 133.

1. Pega superior
2. On/off gatilho
3. Botão de bloqueio
4. Cabo de controlo do motor
5. Alavanca de rotação da conduta de descarga
6. Clipe de bloqueio da pega
7. Eixo de rotação da conduta de descarga
8. Alavanca de desvio da conduta de descarga
9. Desviador da conduta de descarga
10. Leds
11. Impulsor
12. Pega intermédio
13. Botão de ajuste da pega
14. Pega inferior
15. Pega

- 16. Compartimento da bateria de armazenamento
- 17. Compartimento da bateria em uso
- 18. Bateria
- 19. Carregador da bateria

SÍMBOLOS NO PRODUTO



Leia e compreenda todas as instruções antes de manipular o produto, respeite os alertas e as instruções de segurança.



Tenha cuidado com os objectos voláteis ou lançados. Mantenha todos os espectadores, especialmente crianças e animais de estimação, a pelo menos 15 m da área de funcionamento.



Usar protecção para os olhos



PERIGO! Evite lesionar-se com a turbina rotativa. Mantenha as mãos, os pés e a roupa afastados.



PERIGO! Retire a bateria e leia as instruções do manual antes de efetuar um desbloqueio. Mantenha as mãos e os pés bem afastados da parte frontal da máquina e da conduta de descarga.



Os aparelhos eléctricos antigos não devem ser eliminados juntamente com o lixo doméstico. Recicle onde existem instalações para o efeito. Verifique com as suas Autoridades Locais ou revendedor para obter informações sobre reciclagem.



Esta ferramenta obedece a todas as normas regulamentares do país da UE onde foi comprada.



Marca de conformidade EurAsian



Marca de conformidade ucraniana



O melhor nível de potência sonora é de 86 dB



Prima e mantenha premido



Aperte e segure para trabalhar



Compartimento da bateria de armazenamento



Compartimento da bateria em uso

As seguintes palavras de sinal e significados destinam-se a explicar os níveis de risco associados a este produto:

⚠ PERIGO

Indica uma situação perigosa iminente, que, se não evitada, poderá resultar em morte ou ferimentos graves.

⚠ ADVERTÊNCIA

Indica uma situação potencialmente perigosa, que, se não evitada, poderá conduzir à morte ou graves lesões.

⚠ ADVERTÊNCIA

Indica uma situação potencialmente perigosa, que, se não evitada, poderá resultar em pequenas ou moderadas lesões.

ADVERTÊNCIA

Sem símbolo de alerta de segurança
Indica uma situação que pode resultar em danos de propriedade.

SÍMBOLOS NESTE MANUAL



As peças ou acessórios vendem-se separadamente



Nota



Aviso



Bloqueio



Abrir

EN
FR
DE
ES
IT
NL
PT
DA
SV
FI
NO
RU
PL
CS
HU
RO
LV
LT
ET
HR
SL
SK
BG
UK

Sikkerhed, ydelse og driftssikkerhed har fået topprioritet i designet af din ledningsfri sneslynge.

TILTÆNKET ANVENDELSESFORMÅL

Det ledningsfri sneslynge er kun beregnet til udendørs brug på et godt oplyst område, betjent af en stående operatør, som går bag produktet. Ledningsfri sneslynge er kun beregnet til at blive brugt af voksne, som har læst og forstået instrukserne og advarslerne i denne brugsanvisning, og som kan betragtes som værende ansvarlige for deres handlinger. Af sikkerhedshensyn skal produktet altid kontrolleres omhyggeligt ved at fastholde det med begge hænder.

Produktet er designet til at rydde sne på områder som indkørsler, fortove, gangbroer, stier, veje og omkring huse. Produktet kan fjerne sne med en dybde på op til 25 cm.

Produktet må aldrig benyttes, hvis hjulene ikke hviler på jorden. Man må ikke køre/ride på produktet. Produktet må kun benyttes som beskrevet i denne brugsanvisning og må ikke benyttes til andre formål.

GENERELLE SIKKERHEDSREGLER

⚠ ADVARSEL

Når produktet anvendes, skal sikkerhedsreglerne efterleves. Af hensyn til egen og andres sikkerhed skal man læse denne brugsanvisning, inden produktet anvendes. Disse sikkerhedsregler skal opbevares med henblik på senere brug.

⚠ ADVARSEL

Produktet bør kun anvendes med batteriet som drivkraft. Når man bruger den batteridrevne maskine, skal man altid følge de grundlæggende sikkerhedsforanstaltninger for at reducere faren for brand, lækkende batterier og personskader.

UDDANNELSE

- Brugsanvisningen og sikkerhedsadvarslerne skal være læst og forstået. Sørg for at blive fortrolig med betjeningsselementerne samt korrekt brug af produktet.
- Lad aldrig børn eller personer med

begrænsede fysiske, sensoriske eller mentale evner, eller personer, som ikke er bekendt med denne brugsanvisning, benytte, rengøre eller vedligeholde produktet. Lokale love kan have indflydelse på den tilladte brugerage. Børn bør holdes under tilstrækkeligt opsyn, så man er sikker på, at de ikke leger med produktet.

- Husk det er brugeren selv der er ansvarlig for ulykker eller farer andre folk bliver udsat for.
- Tilskuere, børn og kæledyr skal have en sikkerhedsafstand på mindst 15m til arbejdsområdet. Stop produktet, hvis uvedkommende kommer ind i området.
- Du må aldrig bruge produktet, når du er træt, syg eller under påvirkning af alkohol, narkotika eller medicin.
- Udvis forsigtighed for at undgå at glide eller falde, især når de opererer i bakgear.

FORBEREDELSE

- Inspicér omhyggeligt det område, hvor maskinen skal anvendes, og fjern alle dørmåtter, slæder, brædder, ledninger og andre fremmedlegemer.
- Når man benytter maskinen, skal man altid bære passende vintertøj og skridsikkert fødtøj. Undgå at bære løstsiddende tøj samt nedhængende snore eller bånd; disse kan hænge fast i bevægelige dele.
- Langt hår skal bindes op over skulderniveau, så det ikke risikerer at vikles sig ind i bevægelige dele.
- Benyt altid fuldstændigt øjenværn under brugen af dette produkt. Producenten anbefaler på det kraftigste, at man benytter fuld ansigtsmæssige og helt lukkede beskyttelsesbriller. Normale briller eller solbriller yder ikke tilstrækkelig beskyttelse. Objekter kan blive udslyngt med høj hastighed og kan springe tilbage mod operatøren fra hårde overflader. Der skal bruges støvmaske, hjelm eller høreværn, når forholdene kræver det.
- Inden hver brug skal man kontrollere, at alle betjeningslementer og alt sikkerhedsudstyr fungerer upåklageligt. Undlad at bruge værktøjet, hvis produktet ikke kan standses med "SLUK"-kontakten.
- Inden hver brug skal man altid visuelt inspicere, at huset er ubeskadiget, og at afskærmninger og håndtag er korrekt

placeret og sikret.

- Indlevér produktet på et autoriseret servicecenter for at få udskiftet beskadigede eller ulæselige mærkater.
- Lad maskinen tilpasse sig udetemperaturen, før du begynder at rydde sne.

BRUG OG PLEJE AF BATTERIVÆRKTØJ

- Læs, forstå og følg altid de sikkerhedsinstrukser, der fulgte med batteri og oplader. Undladelse heraf kan resultere i elektrisk stød, brand eller andre farlige situationer. Opbevar alle brugsanvisninger samlet på et sikkert sted for fremtidig brug.
- Batteriværktøjer skal ikke nødvendigvis forbindes til en stikkontakt; de er således altid klar til brug. Inden man foretager justeringer, rengøring eller fjerner materiale fra produktet, skal batteriet udtages.
- Opladning af batteriet må kun ske med den af producenten foreskrevne oplader. Brug af en oplader med et ukompatibelt batteri kan medføre brandfare. Brug kun den oplader, der er angivet i brugsanvisningen.
- Brug kun det batteri, der specifikt er beregnet til maskinen. Brug af andre batterier kan medføre fare for brand, elektrisk stød eller personskader.
- Når batteriet ikke bruges, må det ikke opbevares sammen med metalgenstande som fx papirclips, mønter, nøgler, søm, skruer eller andre metalgenstande, som kan skabe forbindelse mellem batteriets poler. Hvis batteriets poler kortsluttes, kan de forårsage gnister, forbrændinger, brand eller eksplosion.
- Batteriprodukter eller de tilhørende batterier må ikke anbringes nær ild eller varme. Herved øges faren for eksplosion og evt. personskader.
- Batteriet må ikke åbnes eller mishandles. Udløbende batterisyre er korrosiv og kan forårsage skader på øjne og hud. Den kan være toksisk ved indtagelse.
- Beskyt batteriet mod fugt og vand. Batteriværktøjet må ikke oplades i fugtige eller våde omgivelser. Derved formindskes risikoen for brand, elektrisk stød og personskader.
- I tilfælde af skade og forkert brug af batteriet kan der udledes dampe. Sørg for frisk luft, og kontakt læge, hvis der

konstateres gener. Dampen kan irritere åndedrætssystemet.

- Batteripakken må ikke blive siddende i køretøjet under varme eller kolde forhold.
- LITHIUM-ION-batteriet kan anvendes ved temperaturer ned til -20°C. Indsæt batteripakken i produktet, og start med at anvende værktøjet til lettere arbejdsopgaver. Efter ca. et minut er batteriet varmet op, og man kan anvendes værktøjet normalt.
- Batteriet må ikke afbrændes. Når batteriets levetid er udløbet, skal det bortskaffes ifølge gældende miljøregler.
- Hvis batteriet misbruges, kan der sprøjte væske ud af det; undgå kontakt med batterivæsken. Ved kontakt med batterivæsken skylles med vand. Hvis der kommer væske i øjnene, søges desuden læge. Udspøjtet batterivæske kan forårsage irritation eller forbrændinger.

SIKKERHEDSREGLER VEDR. LEDNINGS-FRI SNESLYNGER

- Anbring aldrig hænder eller fødder i nærheden af eller under roterende dele.
- Når man bruger produktet, skal man være agtpågivende, iagttag hvad man gør og bruge sund fornuft. Et øjeblik uopmærksomhed under anvendelse af produktet kan medføre alvorlige personskader.
- Udvis ekstrem forsigtighed, når der arbejdes på eller krydses grusindkørsler, stier eller veje. Vær opmærksom på skjulte farer eller trafik.
- Aldrig maskinen ved høje transport hastigheder på glatte overflader. Vær forsigtig, når du bakker.
- Ret aldrig udslyngningsretningen mod tilskuere, og sørg for, at der ikke er personer foran produktet.
- Undgå at rydde sne på tværs af skråninger. Udvis stor forsigtighed når græsflåmaskinen vendes på bakker. Forsøg ikke at rydde sne på stejle skråninger.
- Brug aldrig produktet uden påmonterede behørlige afskærmninger, plader eller andre beskyttelsesanordninger.
- Brug aldrig produktet i nærheden af glasmontrer, biler, vinduer eller døråbninger,

EN

FR

DE

ES

IT

NL

PT

DA

SV

FI

NO

RU

PL

CS

HU

RO

LV

LT

ET

HR

SL

SK

BG

UK

med mindre udslyngningsvinklen er indstillet ordentligt. Tilskuere skal opholde sig på sikker afstand af arbejdsområdet, især børn og dyr.

- Anbring aldrig produktet på våde overflader, bortset fra hårde rene overflader, mens motoren kører. Grus, sand og andet snavs kan blive opfanget af luftindtaget og slynget mod operatøren eller omkringstående og evt. forårsage alvorlige personskader.
- Undlad at overbelaste maskinens kapacitet ved at forsøge at rydde sne i et for hurtigt et tempo.
- Brug maskinen i et godt belyst område, og hold øje med forhindringer eller farer, når sådanne belyses af maskinens forlygter.
- Produktet må ikke benyttes, hvis der er fare for tordenvejr.
- Hold også altid væk fra udtømningsområdet. Undlad at komme genstande i åbninger.
- Brug ikke maskinen i eksplosive omgivelser som fx i nærheden af brandbar væske, gas eller støv.
- Hold et godt fodfæste og balance. Overstræk ikke. Overstrækning kan føre til tab af balancen.
- Sørg altid for at have godt fodfæste på hældninger; der må kun gås, aldrig løbes.
- Undgå at ændre ved maskinen på nogen som helst måde eller at bruge dele og tilbehør, som ikke anbefales af producenten.
- Forsøg aldrig at foretage justeringer, mens motoren kører, medmindre der anbefales af producenten.

⚠ ADVARSEL

Hvis produktet tabes, udsættes for stød eller begynder at vibrere unormalt, skal man omgående stoppe det og inspicere det for skader eller lokalisere årsagen til vibrationen. Enhver beskadiget del skal repareres ordentligt eller udskiftes på et autoriseret servicecenter.

- For at mindske risikoen for personskader i forbindelse med berøring af roterende dele skal man altid stoppe produktet, fjerne batteripakken og sørge for, at alle bevægelige dele er stoppet fuldstændigt:
 - ingen rengøring eller afhjælpning af en

blokering.

- når produktet efterlades uden opsyn
- inden kontrol, vedligeholdelse eller arbejde på produktet
- Hvis man rammer et fremmedlegeme, skal man huske at inspicere produktet for skader.
- hvis produktet begynder at vibrere unormalt (kontrolleres omgående)

BRUGSTIPS

- Produktet vil ikke starte, hvis det øverste håndtag ikke er korrekt monteret, og håndtagslåseklipsen er ikke forsvarligt fastgjort. Der findes to sikkerhedsspærringer, der skal bidrage til at forhindre utilsigtet start, når maskinen ikke er korrekt monteret.
- Vær opmærksom på vindretningen, inden maskinens tages i brug. Sørg for at udslynge sneen i samme retning som vinden for at forhindre sneen i at blive kastet tilbage i dit ansigt.
- Når du er færdig med arbejdet, skal du lade motoren køre i yderligere nogle minutter, og drej derefter skakt-rotationshåndtaget frem og tilbage flere gange for at fjerne evt. resterende sne fra skakten.

TRANSPORT OG OPBEVARING

- Stop maskinen, fjern batteriet, og lad værktøjet køle af inden opbevaring eller transport.
- Afrens alle fremmedlegemer fra produktet. Opbevar den på et køligt, tørt og godt ventileret sted utilgængeligt for børn. Opbevar motorsaven på afstand af ætsende midler som f.eks. havekemikalier og optøningsalt. Må ikke opbevares udendørs.
- Til transport skal man sikre maskinen, så den ikke kan bevæge sig eller vælte; dette for at forebygge personskader eller skader på maskinen.

VEDLIGEHOLDELSE

⚠ ADVARSEL

Brug kun originale reservedele, ekstraudstyr og tilbehør fra producenten. I modsat fald er der fare for personskader, dårlig maskinydelse og annullering af garantien.

⚠ ADVARSEL

Vedligeholdelse kræver stor omhyggelighed og viden og kun bør udføres af en kvalificeret tekniker. Indlevér produktet på et autoriseret servicecenter. Skal dele udskiftes må kun identiske reservedele anvendes.

- Du kan lave justeringer og reparationer beskrevet i denne brugervejledning. Til andre reparationsopgaver skal man kontakte den autoriserede servicemontør.
- Produktet skal rengøres med en blød klud efter hver brug.
- Tjek ofte alle møtrikker, bolte og skruer om de sidder godt fast, og sørg for at produktet fungerer ordentligt. Enhver del, som bliver beskadiget, skal repareres ordentligt eller udskiftes på et autoriseret servicecenter.

FJERNELSE AF TILSTOPNINGER

⚠ ADVARSEL

Ræk aldrig hænder eller fødder ind i forenden af produktet eller sneudkastnings-skakten for at undgå alvorlige personskader.

- Udløs udløseren, og fjern batteripakken.
- Kontrollér, at alle bevægelige dele er standset fuldstændigt:
- Brug en træpind til at fjerne blokeringen.
- Drej skovlhjuls-modulet ved hjælp af træpinden.
- Vær opmærksom på, at skovlhjulet kan bevæge sig af selv selv, mens man fjerner en blokering, pga. oplagret energi i mekanismen.
- Så snart skovlhjulet kan drejes med træpinden, går man om bag produktet.
 - Det er normalt, at skovlhjulsmekanismen har trinvis bevægelse.
- Kontrollér, at det er sikkert at fortsætte snerydningen.
- Montér batteripakken. Tænd produktet.

UUNDGÅELIGE RISICI

Selv om maskinen anvendes som foreskrevet, er det stadig umuligt at eliminere visse uundgåelige risikofaktorer fuldstændigt. Følgende risici kan opstå under brug, og

operatøren bør være særligt opmærksom for at undgå følgende:

- Personskader forårsaget af støj
 - Benyt høreværn, og begræns eksponering.
- Fare for personskader fra flyvende objekter, der kastes op og fremad af det roterende skovlhjul på forsiden af maskinen eller fra sneskakten.
 - Der skal altid benyttes passende øjenværn.

KEND PRODUKTET

Se side 133.

1. Øverste håndtag
2. Tænd/Sluk-udløser
3. Trigger lock off button
4. Motorstyrelabel
5. Håndtag til rotation af skakten
6. Håndtagslåseclip
7. Skaktrotationsaksel
8. Skaktdeflektor-håndtag
9. Skaktdeflektor
10. LED-lamper
11. Skovlhjul
12. Mellemhåndtag
13. Håndtagsjusteringsknop
14. Sænk håndtag
15. Bære-/løftehåndtag
16. Rum til opbevaring af batteriet
17. Rum til batteri i brug
18. Batteri
19. Batterioplader

SYMBOLER PÅ PRODUKTET



Alle vejledninger skal læses og forstås, inden produktet benyttes; følg alle advarsler og sikkerhedsinstrukser.



Pas på udslyngede eller flyvende objekter. Sørg for, at tilskuere (især børn og dyr) er mindst 15 m fra arbejdsområdet.



Benyt øjenværn



FARE! Undgå personskader pga. det roterende skovlhjul. Hold hænder fødder og tøj på afstand.



FARE! Fjern batteriet, og læs anvisningen i brugsanvisningen, inden blokeringen afhjælpes. Hold hænder og fødder på god afstand af maskinens forside og udkastningskakten.



Elektriske affaldsprodukter bør ikke afskaffes sammen med husholdningsaffald. Genbrug venligst hvor faciliteterne tillader dette. Tjek med din lokale kommune eller forhandler for genbrugsråd.



Dette redskab overholder alle lovkrav og standarder i det EU-land, hvor det er købt.



EurAsian overensstemmelsesmærke



Ukrainsk overensstemmelsesmærke



Det garanterede lydeffektniveau er 86 dB.



Tryk og hold inde



Klem og holde inde for betjening



Rum til opbevaring af batteriet



Rum til batteri i brug

FARE

Indikerer en meget farlig situation, som hvis ikke undgås, kan føre til alvorlige skader og i værste fald døden.

ADVARSEL

Indikerer en potentielt farlig situation, som hvis ikke undgås, kan føre til alvorlige skader og i værste fald døden.

PAS PÅ

Indikerer en potentielt farlig situation, som hvis ikke undgås, kan føre til mindre eller moderate skader.

PAS PÅ

Uden sikkerhedsadvarselssymbol
Indikerer en situation, som kan medføre materiel skade.

SYMBOLER I DENNE BRUGSANVISNING



Dele eller tilbehør, der sælges separat



Bemærk



Advarsel



Lås



Oplås

Formålet med nedenstående signalord og betydninger er at tydeliggøre risikoniveauet i forbindelse med produktet:

Säkerhet, prestanda och pålitlighet har varit högsta prioritet vid design av din sladdlösa snöslunga.

ANVÄNDNINGSSOMRÅDE

Den sladdlösa snöslungan är enbart avsedd för utomhusbruk på väl belysta platser av användare som går bakom produkten. Denna sladdlösa snöslunga är enbart avsedd att användas av vuxna som har läst och är införstådda med instruktioner och varningar i denna bruksanvisning och kan anses vara ansvariga för sina åtgärder. Av säkerhetsskäl ska produkten hela tiden kontrolleras med båda händerna.

Produkten är designad för att rensa snö från områden som uppfarter, trottoarer, gångar, vägar och runt byggnader. Produkten kan rensa snö upp till ett snödjup på 25 cm.

Produkten får inte användas när inte hjulen är på marken. Rid inte på produkten. Produkten får enbart användas enligt beskrivning i denna bruksanvisning och inte för andra ändamål.

GENERELLA SÄKERHETSFORESKRIFTER

⚠ VARNING

När man använder apparaten måste säkerhetsföreskrifterna följas För din egen, och andra närvarandes säkerhet, läs alltid dessa instruktioner innan du använder produkten Förvara instruktionerna på ett säkert ställe för användning vid senare tillfälle.

⚠ VARNING

Produkten får enbart användas med batteriet. Vid användning av batteridrivna verktyg ska grundläggande säkerhetsanvisningar alltid följas för att minska risken för brand, läckande batterier och personskador.

UTBILDNING

- Läs och var införstådd med instruktioner och säkerhetsvarningar. Bekanta dig med reglagen och rätt användning av produkten.
- Se till att barn eller personer med nedsatt fysisk eller psykisk förmåga, eller personer som inte är bekanta med dessa instruktioner, aldrig använder, rengör eller

utför underhåll på produkten. Lokala regler kan åldersbegränsa användningen av gräsklipparen. Barn ska alltid övervakas så att de inte leker med produkten.

- Kom ihåg att användaren är ansvarig för olyckor och faror som uppstår för andra människor och deras egendom.
- Håll åskådare, barn och husdjur på minst 15 meters avstånd. Stoppa produkten om någon kommer i närheten.
- Använd aldrig produkten om du är trött, sjuk eller påverkad av alkohol, droger eller medicin.
- Iaktta försiktighet för att undvika att halka eller falla, speciellt vid arbete i omvänd.

FÖRBEREDELSE

- Granska området där maskinen ska användas noga och ta bort dörrmattor, träskivor, kablar och andra främmande föremål.
- Vid användning av maskinen ska alltid ordentliga vinterkläder och halkfria skodon användas. Bär inte kläder som sitter löst eller som har hängande delar eller snören, de kan fastna i rörliga delar.
- Sätt upp hår som är längre än till axlarna så att det inte trasslas in i rörliga delar.
- Använd alltid heltäckande skyddsglasögon vid användning av produkten. Tillverkaren rekommenderar starkt användning av ansiktsskydd eller heltäckande skyddsglasögon. Vanliga glasögon eller solglasögon skyddar inte tillräckligt. Föremål kan kastas omkring och kan studsas på hårda ytor tillbaka mot användaren. Dammask, hjälm eller hörselskydd ska användas vid erforderliga förhållanden.
- Kontrollera före användning så att reglage och säkerhetsanordningar fungerar som de ska. Använd inte verktyget om "Off"-läget inte stoppar motorn.
- Inspektera före varje användning så att höljet är oskadat och att skydd och handtag sitter ordentligt på plats.
- Lämna produkten till auktoriserat servicecenter för utbyte av skadade eller oläsbara etiketter.
- Låt maskinen justera sig efter utomhustemperatur innan snörensningen påbörjas.



ANVÄNDNING OCH UNDERHÅLL AV BATTERIET

- Se till att läsa, vara införstådd med och alltid följa säkerhetsinstruktionerna som medföljde batteri och laddare. Om inte så kan det leda till elektrisk stöt, eldsvåda eller annan farofylld situation. Se till att samtliga instruktioner förvaras tillsammans för framtida referens.
- Batteriverktyg behöver inte vara inkopplade till ett eluttag för att fungera och de är därför alltid redo att användas. Plocka bort batteripaketet innan du gör några justeringar, rengör eller tar bort material från enheten.
- Batteripaketet får endast laddas med den batteriladdare som tillverkaren rekommenderar. Att använda en laddare med ett icke kompatibelt batteripaket utgör en brandrisk. Använd enbart den laddare som finns angiven i instruktionerna.
- Använd endast batteripaketet som är avsedda för just denna maskin. Om du använder några andra batteripaket så kan det leda till brand, elektriska stötar eller personskador.
- När batteripaketet inte används ska det hållas bort från metallföremål som gem, mynt, nycklar, spikar, skruvar och andra små metallföremål som kan kortsluta batteriets kontakter. Kortslutning av batteriets poler kan orsaka gnistor, lågor, eldsvåda eller explosion.
- Placera inte batteriprodukter eller deras batterier i närheten av eld eller värme. Detta ökar risken för explosion och potentiell personskada.
- Försök inte öppna batteripaketet och utsätt det inte för våld. Elektrolyt som läcker ut är korrosivt och kan orsaka ögon- och hudskador. Det kan vara giftigt om det sväljs.
- Skydda batteripaketet mot fukt och vatten. Återuppladda inte ett batteriverktyg på en fuktig eller våt plats. Du minskar därmed riskerna för brand, elstöt eller allvarliga kroppsskador.
- Om batteriet är skadat eller används på fel sätt kan ånga komma ut från batteriet. Om besvär uppstår, se till att personen ifråga får frisk luft och uppsök sedan en läkare. Ångorna kan irritera andningssystemet.

- Lämna inte batteriet i något fordon i varmt eller kallt väder.
- LITIUMJON-batteriet kan användas i temperaturer ned till -20°C . Sätt tillbaka batteriet på produkten och använd produkten till uppgifter med låg belastning. Efter ungefär en minut har batteripaketet värmts upp och kan användas normalt.
- Bränn inte batteriet. När batteriet har nått slutet på sin livslängd ska det avyttras enligt lokala bestämmelser i ditt område.
- Vätska kan läcka ut från batteripaketet vid felaktig användning; undvik kontakt med vätskan. Spola med vatten om du kommer i kontakt med den. Uppsök omedelbart läkarhjälp om du får vätska i ögonen. Den kan orsaka irritation och brännskador.

SÄKERHETSFÖRESKRIFTER FÖR SLADDLÖS SNÖSLUNGA

- Placera inte händerna eller fötterna nära eller under roterande delar.
- Var på din vakt, håll reda på vad du gör och använd sunt förnuft vid drift av enheten. Ett ögonblick av bristande uppmärksamhet vid användning av produkten kan innebära risk för allvarlig personskada.
- Var extremt försiktig vid arbete på uppfarter, gångar eller vägar som är grusade. Var uppmärksam på dolda faror och trafik.
- Kör aldrig maskinen med hög transporthastighet på halt underlag. Var försiktig när du backar.
- Rikta aldrig utkastet mot kringstående och låt aldrig någon befinna sig framför produkten.
- Rensa inte snö på tvären i sluttningar. Var extremt försiktig när du byter riktning i en sluttning. Rensa aldrig i branta sluttningar.
- Använd aldrig produkten utan att korrekta skydd, plattor eller andra säkerhetsenheter är på plats.
- Använd aldrig produkten i närheten av glasbyggnader, bilar, fönster eller dörrar utan att anpassa snöutkastets riktning. Håll alla åskådare borta från arbetsområdet, speciellt barn och djur.
- Placera aldrig produkten på något underlag, förutom hårt, rent underlag, om motorn är igång. Grus, sand och annat skräp kan plockas upp av luftintaget och kastas iväg mot användaren eller kringstående





och därmed eventuellt orsaka allvarliga personskador.

- Överbelasta inte maskinen genom att rensa snö i för hög takt.
- Använd maskinen på väl belysta områden och se upp för hinder och faror som lysas upp av maskinens strålkastare.
- Använd inte produkten om det finns risk för blixtnedslag.
- Håll alltid undan från utkastöppningen. För inte in föremål i öppningarna.
- Använd inte maskinen i explosiva atmosfärer, till exempel i närheten av brännbara vätskor, brännbara gaser eller damm.
- Bibehåll ett bra fotfäste och bra balans. Sträck dig inte. Att sträcka sig kan resultera i balansförlust.
- Var alltid noga med fotfästet i backar och stigar, spring inte.
- Modifiera inte maskinen på något sätt och använd inte delar eller tillbehör som inte rekommenderats av tillverkaren.
- Försök aldrig göra några justeringar medan motorn är igång, utom när specifikt rekommenderas av tillverkaren.

⚠ VARNING

Om produkten tappas, utsätts för hårda slag eller börjar vibrera onormalt mycket ska produkten omedelbart stoppas och kontrolleras för eventuella skador eller orsak till vibrationerna. Eventuella skador ska repareras ordentligt eller bytas ut av ett auktoriserat servicecenter.

- För att minska skaderisken med roterande delar ska produkten alltid stoppas, batteriet tas ur och alla rörliga delar stoppas helt:
 - före rengöring eller rensning av ett stopp
 - när produkten lämnas utan övervakning
 - före kontroll av, rengöring av eller arbete med produkten
 - efter att ha träffat något föremål för att kontrollera om produkten skadats
 - när maskinen börjar vibrera onormalt (kontrollera omedelbart)

TIPS FÖR ANVÄNDNING

- Produkten fungerar inte om det övre handtaget inte sitter korrekt och

handtagsslåklämman inte är ordentligt säkrad. Det finns även två säkerhetslås för att hjälpa till att förhindra start av misstag om maskinen inte är korrekt monterad.

- Kontrollera vindriktning innan maskinen börjar användas. Kasta ut snö i vindens riktning så att inte snö blåser tillbaka i användarens ansikte.
- När du är färdig ska du låta motorn gå ytterligare några minuter, sedan föra utkastreglaget fram och tillbaka några gånger för att ta bort all kvarvarande snö.

TRANSPORT OCH FÖRVARING

- Stoppa maskinen, ta bort batteriet och låt den svalna före transport eller förvaring.
- Ta bort allt främmande material från produkten. Förvara den svalt och välventilerat på en plats där barn inte kan komma åt den. Förvara på avstånd från frätande medel, t.ex. trädgårdskemikalier och vägsalt. Förvara den inte utomhus.
- Vid transport ska maskinen säkras mot rörelser eller fallande för att förhindra personskador eller att maskinen skadas.

UNDERHÅLL

⚠ VARNING

Använd enbart ersättningsdelar och tillbehör från tillverkaren. Om inte kan det eventuellt orsaka skador, sämre resultat och kan upphäva garantin.

⚠ VARNING

Att serva produkten kräver extrem försiktighet och kunskap och bör endast utföras av en kvalificerad servicetekniker. Lämnna produkten till auktoriserat servicecenter. Använd endast identiska utbytesdelar när produkten servas.

- Du kan göra de justeringar och reparationer som beskrivs i den här manualen. För alla andra reparationer ska godkänt servicecenter kontaktas.
- Efter rengöring ska maskinen alltid rengöras med en mjuk torr trasa.
- För att vara säker på att produkten är säker att använda, kontrollera alla muttrar, bultar och skruvar regelbundet för att säkerställa

EN
FR
DE
ES
IT
NL
PT
DA
SV
FI
NO
PL
RU
CS
HU
RO
LV
LT
ET
HR
SL
SK
BG
UK



att de är åtdragna ordentligt. Skadade delar skall repareras ordentligt eller bytas ut av en auktoriserad servicefirma.

RENSA IGENSÄTTNINGAR

⚠ VARNING

Ha aldrig händer och fötter framför maskinen eller utkastet för att förhindra allvarliga personskador.

- Släpp gasreglaget och ta ur batteripaketet.
- Se till att samtliga rörliga delar har stannat helt.
- Använd en trästav för att rensa blockeringar.
- Vrid de roterande bladen med trästaven.
- Var försiktig eftersom bladen kan rotera av sig själv när blockeringar rensas på grund av lagrad energi i mekanismen.
- När bladen kan roteras med trästaven ska du gå bakom produkten.
 - Det är normalt att bladen roterar hackigt.
- Kontrollera att det är säkert att fortsätta rensa snö.
- Sätt i batteriet. Slå på produkten.

KVARSTÅENDE RISKER

Även om maskinen används enligt föreskrifterna, är det ändå omöjligt att helt eliminera kvarvarande mindre riskfaktorer. Följande risker kan uppkomma under bruk och användaren ska vara extra uppmärksam för att undvika följande:

- Skador orsakade av damm
 - Använd hörselskydd och begränsa exponeringen.
- Skador orsakade av kringflygande föremål som kastas upp och framåt av de roterande bladen framför maskinen eller utkastet.
 - Använd alltid lämpligt ögonskydd.

LÄR KÄNNA PRODUKTEN

Se sida 133.

1. Övre handtag
2. Av/på-avtryckare
3. Spärrlåsknapp
4. Motorkontrollkabel
5. Spak för utkastvridning
6. Handtagsslåsklämma
7. Skaff för utkastvridning

8. Handtag för avvissningsutkast
9. Utkastavvisning
10. LED-lampor
11. Roterande blad
12. Mellanhandtag
13. Vred för handtagsjustering
14. Sänk handtaget
15. Bär-/lyfttag
16. Fack för batteriförvaring
17. Fack för batteri som används
18. Batteri
19. Batteriladdare

SYMBOLER PÅ PRODUKTEN



Läs igenom och var införstådd med alla instruktioner före användning av produkten, var uppmärksam på alla varningar och säkerhetsinstruktioner.



Se upp med kringkastade eller flygande föremål. Håll alla åskådare, barn och husdjur på minst 15 meters avstånd från arbetsområdet.



Bär ögonskydd



FARA! Undvik skador från roterande blad. Håll händer, fötter och kläder på avstånd.



FARA! Ta bort batteriet och läs instruktionerna i bruksanvisningen innan du rensar en blockering. Håll händer och fötter på säkert avstånd från maskinens framsida och utkastet.



Gamla elektroniska produkter ska inte kastas med hushållssoporna. Återvinn där sådana faciliteter finns. Kontrollera med din lokala myndighet eller säljaren för att få återvinningstips.



Detta verktyg uppfyller alla standarder i de EU-länder där det kan köpas.



EurAsian överensstämmelsesymbol



Ukrainskt märke för överensstämmelse



Garanterad ljudnivå är 86 dB



Tryck och håll



Kläm och håll vid användning



Fack för batteriförvaring



Fack för batteri som används



Notera



Varning



Lås



Lås upp

Följande signalord och betydelser är avsedda att beskriva risknivåer associerade med produkten:

⚠ FARA

Indikerar en överhängande farlig situation som kan, om den inte undviks, resultera i dödsfall eller allvarlig skada.

⚠ VARNING

Indikerar en potentiellt farlig situation som kan, om den inte undviks, resultera i dödsfall eller allvarlig skada.

⚠ PÅMINNELSE

Indikerar en potentiellt farlig situation som kan, om den inte undviks, resultera i mindre eller medelstora skador.

PÅMINNELSE

Utan säkerhetssymbol

Visar på en situation som kan orsaka skada på egendom.

SYMBOLER I MANUALEN



Delar och utrustning säljs separat

Langattoman lumilingon suunnittelussa on pidetty etusijalla turvallisuutta, suorituskykyä ja luotettavuutta.

KÄYTTÖTARKOITUS

Langaton lumilinko on tarkoitettu yksinomaan ulkokäyttöön hyvin valaistuilla alueilla käyttäjän kävellessä tuotteen takana. Tämä langattoman lumilingon on tarkoitettu vain sellaisten aikuisten käytettäväksi, jotka ovat lukeneet ja ymmärtäneet tämän käsikirjan ohjeet ja varoitukset ja joita voidaan pitää vastuullisina teoistaan. Turvallisuussyistä tuotteen on oltava asianmukaisesti hallinnassa ja käyttäjän on pideltävä sitä aina kaksin käsin.

Tuote on suunniteltu lumen poistamiseen esim. ajoteiltä, jalkakäytäviltä, kävelypoluilta, ajoradoilta ja talojen ympäriltä. Tuote voi poistaa jopa 25 cm:n syvyistä lunta.

Tuotetta ei saa koskaan käyttää sen pyörien ollessa irti maasta. Sillä ei saa ratsastaa. Tuotetta saa käyttää ainoastaan tässä käyttöoppaassa kuvatulla tavalla, eikä sitä saa käyttää muihin tarkoituksiin.

YLEISET TURVALLISUUSSÄÄNNÖT

▲ VAROITUS

Noudata turvallisuussääntöjä tuotetta käyttäessäsi. Oman ja sivullisten turvallisuuden vuoksi, lue nämä ohjeet ennen tuotteen käynnistämistä. Säilytä ohjeet tulevaa käyttöä varten.

▲ VAROITUS

Tuotetta on käytettävä vain akun kanssa. Akkukäyttöistä laitetta käytettäessä on aina ryhdyttävä perusvarotoimiin tulipalon, akkuvuodon ja loukkaantumisen välttämiseksi.

KOULUTUS

- Lue ja ymmärrä ohjeet ja turvallisuusvaroitukset. Tutustu ohjaimiin ja tuotteen asianmukaiseen käyttöön.
- Älä koskaan salli lasten tai ihmisten, joiden fyysiset tai henkiset kyvyt tai aistit ovat heikentyneet, tai näitä ohjeita tuntemattomien käyttäjä, puhdistaa tai huoltaa tuotetta. Paikalliset säädökset

saattavat asettaa rajoituksia käyttäjän iälle. Lapsia on pidettävä asianmukaisesti silmällä, jotta he eivät pääse leikkimään tuotteella.

- Muista, että ruohonleikkurin käyttö on vastuunalainen vahingoista ja vaaroista, jotka hän aiheuttaa muille ihmisille ja heidän omaisuuksilleen.
- Pidä sivulliset, lapset ja lemmikit 15 metrin etäisyydellä työalueesta. Sammuta tuote, jos alueelle tulee joku.
- Älä koskaan käytä tuotetta väsyneenä, sairaana tai alkoholin, huumeiden tai lääkkeiden vaikutuksen alaisena.
- Ole varovainen välttää liukastuminen tai putoaminen, varsinkin ajettaessa taaksepäin.

VALMISTELUT

- Tarkista huolella alue, jolla laitetta käytetään, ja poista kaikki ovimatot, kelkat, laudat, johdot ja muut vierasesineet.
- Kun käytät konetta, käytä aina asianmukaisia talvivaatteita ja liukusuojattuja jalkineita. Älä käytä löysiä vaatteita tai vaatteita, joista riippuu nuoria tai siteitä; ne voivat tarttua liukkuviin osiin.
- Sido pitkät hiukset hartioiden yläpuolelle, jotta ne eivät pääse tarttumaan liukkuviin osiin.
- Käytä aina täysisiä suojalaseja tuotetta käyttäessäsi. Valmistaja suosittelee painokkaasti täyttä kasvosuojusta tai täysin suljettuja suojalaseja. Tavalliset silmälasit tai aurinkolasit eivät tarjoa riittävää suojaa. Kappaleita voi sinkoutua suurella nopeudella, ja ne voivat kimmota kovista pinoista käyttäjää kohden. Pölynaamaria, kypärää ja kuulosuojaimia on käytettävä olosuhteiden niin vaatiessa.
- Varmista aina ennen käyttöä, että kaikki hallinta- ja turvallisuuslaitteet toimivat asianmukaisesti. Älä käytä laitetta, jos Off-kytkin ei sammuta tuotetta.
- Tarkista aina ennen jokaista käyttökertaa silmämääräisesti, että kotelo on kunnossa ja että suojat ja kahvat ovat tiukasti paikoillaan.
- Vie tuote valtuutettuun huoltoon vaurioituneiden ja lukukelvottomien kylltien vaihtamiseksi.
- Anna koneen sopeutua ulkolämpötilaan,

ennen kuin aloitat lumen poistamisen.

AKKUKÄYTTÖISEN TYÖKALUN KÄYTTÖ JA HOITO

- Lue ja ymmärrä akun ja laturin mukana tulleet turvallisuusohjeet ja noudata niitä aina. Tämän laiminlyönti voi aiheuttaa sähköiskun, tulipalon tai muun vaaratilanteen. Pidä kaikki ohjeet yhdessä ja turvallisessa paikassa tulevaa käyttöä varten.
- Akkukäyttöisiä työkaluja ei tarvitse kytkeä pistorasiaan, joten ne ovat aina käyttövalmiita. Irrota akku ennen säätöjä, puhdistusta ja materiaalin irrottamista laitteesta.
- Akun lataukseen saa käyttää ainoastaan valmistajan mainitsemaa laturia. Laturin käyttö yhteensopimattoman akun kanssa voi aiheuttaa tulipalon vaaran. Käytä ainoastaan ohjeissa mainittua laturia.
- Käytä vain erityisesti laitteelle tarkoitettua akkua. Muiden akkujen käyttö voi johtaa tulipaloon, sähköiskuun tai loukkaantumiseen.
- Kun akkua ei käytetä, pidä se erillään metalliesineistä, kuten paperiliittimistä, kolikoista, avaimista, nautoista, ruuveista ja muista pienistä metalliesineistä, jotka voivat yhdistää akun navat. Akun napojen oikosulkeminen voi aiheuttaa kipinäntiä, palovammoja, tulipalon tai räjähdysten.
- Älä aseta akkukäyttöisiä tuotteita tai niiden akkuja lähelle tulta tai lämmönlähdettä. Tämä lisäksi räjähdysten ja loukkaantumisen vaaraa.
- Älä avaa tai vioita akkua. Vapautunut elektrolyytti on syövyttävää ja voi vioittaa silmiä tai ihoa. Se voi olla myrkyllistä nieltynä.
- Suojele akkua kosteudelta ja vedeltä. Älä lataa akkua kosteassa tai märässä ympäristössä. Vähennät sähköisku-, tulipalo- ja loukkaantumisvaaraa.
- Jos akku vioittuu tai sitä käytetään virheellisesti, siitä saattaa vapautua huujuja. Hakeudu tällöin raikkaaseen ilmaan ja oireiden tapauksessa lääkäriin. Huurut voivat ärsyttää hengitystiehyteitä.
- Älä jätä akkua ajoneuvon kuumiin tai kylmiin oloihin.
- Litiumioniakkua voidaan käyttää

lämpötilaan -20 °C saakka. Kiinnitä akku tuotteeseen ja käytä tuotetta kevyessä käytössä. Akku lämpenee noin minuutissa ja alkaa toimia normaalisti.

- Älä sytytä akkua tuleen. Kun akku on käyttöikänsä lopussa, hävitä se asianmukaisesti alueesi paikallisten säädösten mukaisesti.
- Jos akkua käsitellään väärin, siitä voi vuotaa nestettä; älä kosketa sitä. Jos kosketat sitä vahingossa, huuhtelee se vedellä. Jos nestettä pääsee silmiin, hakeudu lisäksi lääkärin hoitoon. Akusta vuotanut neste voi ärsyttää ihoa ja aiheuttaa palovammoja.

LANGATTOMAN LUMILINGON TURVALLISUUSÄÄNNÖT

- Älä laita käsiä tai jalkoja lähelle pyöriviä osia tai niiden alle.
- Ole valpas, katso mitä teet ja käytä tervettä järkeä, kun käytät tuotetta. Tarkkaamattomuus tuotetta käytettäessä saattaa johtaa vakavaan loukkaantumiseen.
- Ole erittäin varovainen käyttäessäsi konetta soraisilla ajoteilla, poluilla tai teillä tai kulkiessasi niiden poikki. Varo näkymättömiä vaaroja ja liikennettä.
- Älä koskaan käytä konetta suurella kuljetusnopeudet liukkaalla tiellä. Ole varovainen peruuttaessasi.
- Älä koskaan suuntaa lunta sivustakatsojiin tai salli kenenkään olla tuotteen edessä.
- Älä poista lunta rinteiltä poikittais suunnassa. Ole erityisen varovainen vaihtaessasi suuntaa rinteessä. Älä yritä poistaa lunta jyrkistä rinteistä.
- Älä käytä tuotetta ilman asianmukaisia suojuksia, levyjä ja muita suojalaitteita.
- Älä koskaan käytä tuotetta lähellä lasirakennelmia, autoja, ikkunoita tai ovia säätämättä ensin lumen poistokulman asianmukaiseksi. Pidä kaikki sivulliset kaukana toiminta-alueelta –erityisesti lapset ja lemmikit.
- Älä koskaan jätä tuotetta millekään pinnalle, paitsi kovalle ja puhtaalle pinnalle, moottorin ollessa käynnissä. Ilmanotto voi imeä soraa, hiekkaa ja muita roskia ja singota ne käyttäjää tai sivullisia kohden, aiheuttaen mahdollisesti vakavia vammoja.
- Älä ylikuormita koneen kapasiteettia yrittämällä poistaa lunta liian nopeasti.

- Käytä konetta hyvin valaistulla alueella ja varo esteitä ja vaaratekijöitä koneen valokeilassa.
- Älä käytä tuotetta paikassa, jossa on salamaniskun vaara.
- Pidä ruohonkeruuaukko aina vapaana. Älä laita aukkoihin mitään vieraita esineitä.
- Älä käytä laitetta räjähdysalttiissa paikoissa, kuten helposti syttyvien nesteiden tai kaasujen tai pölyn läheisyydessä.
- Pidä vakaa tasapaino. Älä kurkota liian pitkälle. Liian pitkälle kurkotta minen saattaa johtaa tasapainon menettämiseen.
- Seiso aina hyvässä tasapainossa rinteissä ja kävele, älä juokse.
- Älä muunna laitetta millään tavoin tai käytä osia tai lisävarusteita, jotka eivät ole valmistajan suosittelemia.
- Älä koskaan yritä tehdä mitään säätöjä, kun moottori on käynnissä, ellei erikseen suosittelemat valmistaja.

⚠ VAROITUS

Jos tuote putoaa, saa kovan iskun tai alkaa tärinästä normaalia enemmän, sammuta se heti ja tarkista se vaurioiden varalta tai paikanna tärinän syy. Valtuutetun huoltopisteen on korjattava tai vaihdettava vioittuneet osat asianmukaisesti.

- Jotta pyörivien osien koskettamisesta aiheutuvan loukkaantumisen vaara olisi pienempi, pysäytä tuote, irrota akku ja varmista, että kaikki liikkuvat osat ovat pysähtyneet:
 - ennen tukoksen poistamista.
 - kun jätät tuotteen valvomatta
 - ennen tuotteen tarkastusta, ylläpitoa ja huoltoa
 - törmättyäsi vieraskappaleeseen tarkistamaan tuote vaurioiden varalta
 - Jos tuote alkaa tärinästä epänormaalisti (tarkista välittömästi)

KÄYTTÖVINKKEJÄ

- Tuote ei toimi, jos yläkahva ei ole asianmukaisesti paikallaan ja kahvan lukitus ei ole tiukasti kiinni. Laitteessa on kaksi interlock-turvajärjestelmää, jotka estävät tahattoman käynnistyksen, jos laitetta ei ole koottu asianmukaisesti.

- Huomioi tuulen suunta ennen koneen käyttöä. Suuntaa lumi tuulen suuntaan, jotta lumi ei lennä takaisin kasvoillesi.
- Kun työ on valmis, anna moottorin käydä vielä muutama minuutti ja käännä sitten kuilun kääntövipua edestakaisin useita kertoja poistaaksesi kuilusta lumet.

KULJETUS JA VARASTOITAESSA

- Sammuta laite, irrota akku ja anna sen jäähtyä ennen varastointia ja kuljetusta.
- Puhdista laitteesta kaikki vieraat materiaalit. Varastoi laite viileään, kuivaan ja hyvin tuuletettuun paikkaan, jossa lapset eivät pääse siihen käsiksi. Pidä poissa syövyttäviltä aineilta kuten puutarhakemikaaleilta ja jäänsulatussuolalta. Älä säilytä ulkona.
- Kiinnitä laite kuljetettaessa siten, että se ei pääse liikkumaan tai kaatumaan, jotta välttyä loukkaantumisilta ja vaurioilta.

HUOLTO

⚠ VAROITUS

Käytä ainoastaan alkuperäisiä valmistajan tuottamia varaosia, lisälaitteita ja lisävarusteita. Tämän noudattamatta jättäminen voi johtaa loukkaantumiseen ja huonoon tulokseen ja voi mitätöidä takuun.

⚠ VAROITUS

Huolto kaippaa suurta huolellisuutta ja hyvää työkalun tuntemusta: Se on annettava pätevän teknikon tehtäväksi. Vie tuote valtuutettuun huoltoon. Käytä vaihdossa yksinomaan alkuperäisiä varaosia.

- Voit tehdä tässä käyttöoppaassa kuvattuja säätöjä ja korjauksia. Jos laite vaatii muuta huoltoa, ota yhteys valtuutettuun huoltopisteeseen.
- Puhdista tuote aina käytön jälkeen pehmeällä ja kuivalla liinalla.
- Varmista aina, että ruuvit ja mutterit ovat tiukasti kiinni, jotta tuote olisi aina turvallinen ja käyttövalmis. Valtuutetun huoltopisteen on korjattava tai vaihdettava vioittuneet osat asianmukaisesti.

TUKOKSIEN POISTAMINEN

VAROITUS

Älä koskaan laita käsiä tai jalkoja tuotteen tai poistokuilun eteen, jotta välttyt vakavilta vammoilta.

- Vapauta liipaisin ja irrota akku.
- Varmista, että kaikki liikkuvat osat ovat pysähtyneet täysin:
- Poista tukos puukepillä.
- Pyöritä siipipyöräkokoontapano puukepillä.
- Varo—siipipyörä saattaa liikkua itseksensä tukosta irrotettaessa mekanismiin varastoituneen energian takia.
- Kun siipipyörää voidaan kääntää puukepillä, palaa tuotteen taakse.
 - On normaalia, että siipipyörän liike on porrasmaista.
- Varmista, että on turvallista jatkaa lumen poistoa.
- Asenna akku. Käynnistä tuote.

KÄYTTÖÖN LIITTYVÄT RISKIT

Vaikka laitetta käytettäisiin ohjeiden mukaisesti, ei ole mahdollista täysin eliminoida tiettyjä käyttöön liittyviä riskitekijöitä. Käytössä voi aiheutua seuraavia vaaroja, ja käyttäjän tulee kiinnittää erityistä huomiota niiden välttämiseen:

- Melun aiheuttama vamma
 - Käytä suojalaseja ja rajoita altistumista.
- Pyörivän siipipyörän ylös- ja eteenpäin koneen edestä tai lumikulusta sinkoamista kappaleista aiheutuva loukkaantuminen.
 - Käytä aina riittävän hyviä suojalaseja.

TUNNE TUOTTEESI

Katso sivu 133.

1. Yläkahva
2. Päälle tai pois liipaisin
3. Liipaisimen lukituspainike
4. Moottorin ohjauskaapeli
5. Kuilun kääntövipu
6. Kahvan lukitus
7. Kuilun kääntöakseli
8. Kuilun suuntauskahva
9. Kuilun suuntain
10. LED-valot
11. Siipipyörä

12. Välikahva
13. Kahvan säätönappi
14. Alakädensija
15. Kanto-/nostokahva
16. Vara-akkutila
17. Käyttöakkutila
18. Akku
19. Akkulaturi

TUOTTEESSA OLEVAT SYMBOLIT



Lue ja ymmärrä kaikki ohjeet ennen tuotteen käyttöä ja noudata kaikkia varoituksia ja turvallisuusohjeita.



Varo sinkoutuneita ja muita lentäviä esineitä. Pidä kaikki sivulliset vähintään 15 metrin päässä toiminta-alueelta – erityisesti lapset ja lemmikit.



Käytä silmäsuojaimia



VAARA! Varo, ettet loukkaannu pyörivän vetopyörän takia. Pidä kädet, jalat ja vaatteet kaukana siitä.



VAARA! Irrota akku ja lue käyttöoppaan ohjeet ennen tukoksen poistamista. Pidä kädet ja jalat kaukana laitteen ja poistokuilun etuosasta.



Käytöstä poistettavia sähkölaitteita ei pidä hävittää talousjätteiden mukana. Ne on mahdollisuuksien mukaan pantava kiertoon. Kierrätysohjeita antavat kunnan viranomaiset ja vähittäiskauppiat.



Tämä työkalu on sen EU-maan kaikkien sääntömääräisten standardien mukainen, josta se on ostettu.



EurAsian-vaatimustenmukaisuusmerkki



Ukrainalainen säädöstenmukaisuusmerkintä



Taattu äänenteho on 86 dB.



Paina ja pidä



Purista ja pidä käyttäaksesi laitetta



Vara-akku tila



Käyttöakku tila



Huom



Varoitus



Lukko



Avaa

Seuraavien merkkien tarkoitus on selittää, miten vakava riski tuotteeseen liittyy.

VAARA

Ilmaisee välitöntä vaaratilannetta, joka ellei sitä vältetä, johtaa kuolemaan tai vakavaan loukkaantumiseen.

VAROITUS

Ilmaisee potentiaalisen vaaratilanteen, joka ellei sitä vältetä, johtaa kuolemaan tai vakavaan loukkaantumiseen.

HUOMAUTUS

Ilmaisee potentiaalisen vaaratilanteen, joka ellei sitä vältetä, saattaa johtaa pienempään tai keskivaikeaan loukkaantumiseen.

HUOMAUTUS

Ilman turvallisuusvaroitusymbolia ilmoittaa tilanteesta, jossa omaisuutta saattaa vaurioitua.

TÄMÄN KÄSIKIRJAN SYMBOLIT



Osat ja lisävarusteet on hankittava erikseen



Sikkerhet, ytelse og pålitelighet er gitt høyeste prioritet ved konstruksjonen av din batteridrevne snøfreser.

TILTENKT BRUK

Den batteridrevne snøfreseren er kun ment brukt utendørs på et godt opplyst område av en operatør som går bak produktet. Denne batteridrevne snøfreser skal kun brukes av voksne som har lest og forstått anvisningene og advarslene i denne brukermanualen og som kan anses å være ansvarlige for sine handlinger. Av sikkerhetsmessige årsaker må produktet holdes under kontroll ved alltid å holde det med to hender.

Dette produktet er konstruert for å fjerne snø i områder som oppkjørsler, fortau, gangveier, stier, veier og rundt hus. Produktet kan fjerne snø med en dybde på opptil 25 cm.

Produktet må aldri brukes med hjulene hevet fra bakken. Det må aldri rides på. Produktet må bare brukes som beskrevet i denne manualen, og må aldri brukes i noen annen hensikt.

GENERELLE SIKKERHETSREGLER

▲ ADVARSEL

Når produktet brukes må sikkerhetsreglene følges. Les disse instruksjonene før du tar i bruk produktet for din egen sikkerhet og sikkerheten til personer som befinner seg i nærheten. Vennligst ta vare på instruksjonene for fremtidig bruk.

▲ ADVARSEL

Produktet må bare brukes sammen med batteripakken. Når du bruker en batteridrevne maskin må visse grunnleggende sikkerhetsforholdsregler følges for å redusere risikoen for brann, lekkende batterier og personlig skade, inklusive følgende.

OPPLÆRING

- Les og forstå instruksjonene og sikkerhetsadvarslene. Gjør deg kjent med styringen og riktig bruk av produktet.
- Du må aldri la barn eller personer med nedsatte fysiske, sensoriske eller mentale evner, eller personer som ikke kjenner tid

denne bruksanvisningen, å bruke, rengjøre eller vedlikeholdet dette produktet. Lokale forskrifter kan begrense en alder av operatøren. Barn må ha riktig tilsyn for å sikre at de ikke leker med produktet.

- Husk at operatøren eller brukeren er ansvarlig for uhell og farer som andre personer og deres eiendom får påført.
- Hold tilskuere, barn og kjæledyr 15m unna arbeidsområde. Stopp produktet når noen kommer inn på området hvor produktet brukes.
- Ikke bruk utstyret når du er sliten, syk eller under påvirkning av alkohol, narkotika eller medisiner som kan påvirke reaksjonsevne og dømmekraft.
- Utvis forsiktighet for å unngå å skli eller falle, spesielt når de opererer i revers.

KLARGJØRING

- Foreta en grundig inspeksjon av området der maskinen skal brukes, og fjern alt som kan fanges opp og kastes ut av maskinen, som dørmatter, plankebitar, ledninger og andre fremmedlegemer.
- Anvend alltid passende vinterklær og sklisikkert sikkerhetsfottøy når maskinen brukes. Unngå bruk av løstsittende klær eller klær som har hengende stropper eller snører - disse kan hekte seg fast i bevegelige deler.
- Sørg for at langt hår ikke når lenger ned enn til skuldrene for å hindre at det kan fanges opp av roterende deler.
- Bruk alltid full øyebeskyttelse når du bruker dette produktet. Produsenten anbefaler sterkt bruk av en full ansiktsmaske eller helt tette vernebriller. Vanlige briller eller solbriller gir ikke tilstrekkelig beskyttelse. Gjenstander kan kastes ut med stor kraft og rikosjere fra harde flater og tilbake mot operatøren. Støvmaske, hjelm eller hørselsvern må brukes der det anses nødvendig for arbeidsoppgavene som skal utføres.
- Kontroller før hver bruk at alle styreenheter og sikkerhetsanordninger fungerer som de skal. Ikke bruk verktøyet hvis "av" knappen ikke stanser produktet.
- Før hver bruk, se alltid over produktet, sjekk om kabinetet er uskadet og alle vern og håndtak er på plass og riktig sikret.

EN
FR
DE
ES
IT
NL
PT
DA
SV
FI
NO
RU
PL
CS
HU
RO
LV
LT
ET
HR
SL
SK
BG
UK



- Bring produktet til et autorisert servicesenter for utskifting av skadede eller uleselige etiketter.
- La maskinen tilpasse seg utetemperaturen før fjerning av snø starter.

BATTERIPRODUKTER - BRUK OG STELL

- Du må lese og forstå sikkerhetsinstruksene som fulgte med batteriet og laderen og alltid følge disse ved bruk. Dersom dette ikke overholdes, kan det føre til elektrisk støt, brann eller andre farlige situasjoner. Ta vare på alle bruksanvisninger på et sted som er trygt for framtidig referanse.
- Batteriprodukter behøver ikke å kobles til en elektrisk kontakt; derfor er de alltid klare til bruk. Fjern batteripakken før det foretas justeringer, rengjøring eller det skal fjernes deler fra gressklipperen.
- Batteripakken må kun lades med ladere som er spesifisert av produsenten. Bruk av lader med en ikke-kompatibel batteripakke kan skape risiko for brann. Bruk bare laderen som er beskrevet i brukermanualen
- Bruk bare en batteripakke som er spesielt beregnet på dette verktøyet. Bruk av noe annet batteri kan føre til risiko for brann, elektrisk støt eller personskade.
- Når batteripakken ikke er i bruk, hold den vekk fra metallgjenstander som binders, mynter, nøkler, spiker, skruer og annet som kan forbinde de to terminalene med hverandre. Kortslutning av batteriterminalene kan føre til gnister, brennemerke, brann eller eksplosjon.
- Plasser ikke batteriprodukter eller deres batterier nær åpen flamme eller sterk varme. Dette vil øke risikoen for eksplosjoner og mulige skader.
- Ikke gjør forsøk på å åpne eller slå i stykker en batteripakke. Batterisyre er korroderende og kan, dersom den kommer ut, føre til skade på hud og øyne. Den kan være giftig å svelge.
- Beskytt batteripakken mot fuktighet og vann. Ikke lad batterier på fuktige eller våte steder. Du reduserer dermed faren for brann, elektrisk støt og alvorlige kroppsskader.
- Ved skade på eller feilaktig bruk av batteriet kan det løse ut damp. Sørg for frisk luft og søk medisinsk hjelp dersom den som er utsatt for dampen føler seg uvel eller syk.

Dampen kan irritere luftveiene.

- Ikke etterlat batteripakken i et kjøretøy under varme eller kalde forhold.
- LITIUM-ION-batteripakken kan brukes i temperaturer ned til -20°C. Sett batteripakken i produktet og bruk produktet uten store belastninger. Etter ca. ett minutt vil pakken være varmet opp og virke normalt.
- Ikke gjør forsøk på å brenne batteriet. Når batteriet har kommet til bruksmessig veis ende må det avhendes på en forsvarlig måte i henhold til gjeldende lover og forskrifter.
- Dersom batteriet misbrukes kan det slippe ut væske, unngå hudkontakt med væsken. Hvis du får kontakt med væsken fra batteriet, skyll med rikelige mengder vann. Hvis væsken får kontakt med øynene må det søkes medisinsk hjelp. Væske som kommer ut av batteriet kan føre til irritasjon eller brannår.

SIKKERHETSREGLER FOR BRUK AV BATTERIDREVT SNØFRESER

- Ikke plasser hender eller føtter under roterende deler.
- Vær våken, følg med på hva du gjør og bruk fornuft når du anvender enheten. Et øyeblikk med uoppmerksomhet under bruk av produktet kan føre til alvorlige personskader.
- Utvis ekstrem forsiktighet ved kjøring på eller kryssing av gruslagte oppkjørsler, stier eller veier. Vær oppmerksom på skjulte farer eller trafikk.
- Bruk aldri maskinen ved høy transporthastighet på glatte overflater. Vær forsiktig når du rygger.
- Rett aldri utkast av snø mot personer i nærheten eller la noen stå foran maskinen når den går.
- Ikke fjern snø på tvers av skråninger. Vær meget forsiktig når du skifter retning i en skråning. Ikke gjør forsøk på å rydde snø i bratte skråninger.
- Bruk aldri produktet uten at medfølgende sikkerhetsutstyr er montert og i god stand.
- Bruk aldri produktet i nærheten av avlukker av glass eller glassvinduer, biler eller inngangspartier uten passende justering av utkastvinkelen for snøen. Hold alle tilskuere



vekke fra arbeidsområdet, spesielt barn og dyr.

- Plasser aldri produktet på annet enn hardt og rent underlag når motoren går. Grus, sand og annet løst materiale kan fanges opp av luftinntaket og kastes mot operatøren eller personer i nærheten med påfølgende mulighet for personskader.
- Ikke overbelast maskinens kapasitet ved å forsøke å rydde snø med for stor hastighet.
- Bruk maskinen på et godt opplyst område og se opp for gjenstander og farer som lyses opp av maskinens frontlykter.
- Bruk ikke produktet når det er fare for lynnedslag.
- Hold deg alltid unna utladingsåpningen. Ikke putt gjenstander i noen åpning på maskinen.
- Ikke bruk elektrisk verktøy i eksplosive atmosfærer, der det finnes brennbare væsker, gasser eller støv.
- Ha god fotfeste og ballanse til enhver tid. Ikke len deg for langt. Hvis du lener deg for langt, kan du miste balansen.
- Påse at du alltid har godt fotfeste på skråninger, du må alltid gå, ikke løpe.
- Du må ikke endre maskinen på noe måte eller bruke deler og tilbehør som ikke er anbefalt brukt av produsenten.
- Forsøk aldri å foreta justeringer mens motoren er i gang, unntatt der spesifikt anbefalt av produsenten.

▲ ADVARSEL

Dersom produktet faller i bakken, får et sterkt slag eller starter å vibrere unormalt, stans produktet omgående og sjekk for skader eller finn ut hva som er årsaken for vibrasjonene. Enhver skade må reparere helt eller delen skiftes av et autorisert serviceverksted.

- Stopp alltid maskinen, fjern batteripakken og påse at alle bevegelige deler har stanset helt for å redusere risikoen for skade som følge av kontakt med roterende deler.
 - før du renser eller åpner tette enheter
 - å la produktet stå uten tilsyn
 - før kontroll, vedlikehold og arbeider på produktet
 - etter at man har kommet borti et

fremmedlegeme, sjekk produktet for skader

- hvis produktet starter å vibrere unormalt (sjekk omgående)

BRUKERTIPS

- Produktet vil ikke kunne brukes dersom det øvre håndtaket ikke er korrekt montert og låseklipset til håndtaklåsen ikke er forsvarlig festet. Det er to sikkerhetslåser som vil bidra til å hindre utilsiktet start før maskinen er korrekt montert.
- Legg merke til hvor vinden kommer fra før maskinen tas i bruk. Sørg for at snøen kastes ut i samme retning som vinden kommer fra for å hindre at snøen kastes tilbake mot ansiktet til operatøren.
- Når arbeidet er avsluttet bør motoren få fortsette å gå i noen minutter samtidig som spaken for snøutkastet roteres fram og tilbake flere ganger for å fjerne gjenværende mengde snø fra utkastet.

TRANSPORT OG LAGRING

- Stans maskinen, fjern batteriet og la verktøyet kjøle ned før lagring eller transport.
- Fjern alle fremmedelementer fra produktet. Lagres på et kjølig, tørt og godt ventilert sted som er utilgjengelig for barn. Hold den borte fra korrosive materialer, så som ugressmidler og veisalt. Ikke oppbevar utendørs.
- Ved transport må du sikre maskinen mot at den flytter seg eller kan falle ned for å hindre personskader eller skader på maskinen.

VEDLIKEHOLD

▲ ADVARSEL

Bruk kun produsentens originale reservedeler, tilleggsutstyr og påsatser. Dersom dette ikke følges, kan det forårsake personskader, dårlig funksjon og kan annullere garantien din.



⚠ ADVARSEL

Service krever meget stor forsiktighet og kunnskap og bør utføres kun av kvalifisert teknisk personale. Bring produktet til et autorisert servicesenter. Når service utføres skal kun identiske reservedeler brukes.

- Du kan foreta justeringer og reparasjoner som er beskrevet i denne brukermanualen. For andre reparasjoner, ta kontakt med et autorisert serviceverksted.
- Etter hver bruk, rens produktet med en myk tørr klut.
- Kontroller all mutter, bolter og skruer med jevne mellomrom at de er skrudd fast for å sikre at produktet er i driftssikker stand. Enhver del som er skadet må repareres eller skiftes ut ved et autorisert serviceverksted.

FJERNE TETTING

⚠ ADVARSEL

Plasser aldri hender eller føtter foran maskinen eller snøutkastet for å unngå alvorlige personskader.

- Trykk inn sperrehakene for å fjerne batteripakken
- Påse at alle bevegelige deler har stoppet helt:
- Bruk en trestokk for å fjerne blokkeringer.
- Drei skovlehjulenheten ved hjelp av trestokken.
- Vær klar over at skovlehjulet kan komme i bevegelse under fjerning av blokkeringer som følge av opplagret energi i mekanismen.
- Så snart skovlehjulet kan beveges ved hjelp av trestokken må operatøren flytte seg til baksiden av maskinen.
 - Det er normalt for skovlejumekanismen å ha trinnvise bevegelser.
- Påse at det er trygt å fortsette fjerning av snø.
- Installering av batteripakken Slå på produktet.

GJENVÆRENDE RISIKO

Selv om utstyret brukes som beskrevet er det ikke mulig å unngå enhver gjenværende risiko. Følgende faresituasjoner kan oppstå ved bruk, og operatøren må legge spesielt vekt på å unngå følgende:

- Skader skapt av støy.
 - Bruk hørselvern og begrensk eksponeringen.
- Skade fra gjenstander som kastes opp og framover fra det roterende skovlehjulet i fronten av maskinen eller fra snøutkastet.
 - Bruk alltid tilstrekkelig øyevern.

KJENN PRODUKTET DITT

Se side 133.

1. Øvre håndtak
2. Av/På-avtrekker
3. Knapp for lås-av
4. Motor kontrollkabel
5. Rotasjonsspak for snøutkast
6. Låseklips for håndtak
7. Rotasjonsaksel for snøutkast
8. Håndtak for snøutkast
9. Snøutkast
10. LED-lys
11. Skovlehjul
12. Overgangshåndtak
13. Justeringsknott for håndtak
14. Nedre håndtak
15. Bære/løftehåndtak
16. Batterilagerrom
17. Batterirom i bruk
18. Batteri
19. Batterilader

SYMBOLER PÅ PRODUKTET



Les og forstå alle instruksjoner før du tar i bruk produktet, følg alle advarsler og sikkerhetsanvisninger.



Vær oppmerksom på utkastede eller flygende gjenstander. Hold tilskuere, spesielt barn og dyr, på god avstand, det vil si minst 15 meter fra arbeidsområdet



Bruk øyebeskyttelse



FARE! Unngå skade fra roterende skovlehjul. Hold hender, føtter og klær på avstand



FARE! Fjern batteriet og les instruksjonene før en blokkering løses opp. Hold hender og føtter på god avstand fra fronten av maskinen og utkaståpningen.



Avfall fra elektriske produkter skal ikke kastes sammen med husholdningsavfall. Vennligst resirkulervedeksisterende avfallsbehandlingssted. Undersøk hos dine lokale myndigheter eller forhandler for råd om resirkulering.



Dette verktøyet overholder samtlige standarder i det EU-landet det er kjøpt i.



EurAsian Konformitetstegn



Ukrainsk merke for konformitet



Garantert lydnivå er 86 dB



Trykk og hold



Klem inn og hold for å kjøre maskinen



Batterilagerrom



Batterirom i bruk

Følgende signalord og meninger har til hensikt å forklare graden av risiko forbundet med bruken av dette produktet.

FARE

Indikerer en øyeblikkelig farlig situasjon, som, hvis ikke unngås, kan resultere i død eller alvorlig personskade.

ADVARSEL

Indikerer en potensiell farlig situasjon, som, hvis ikke unngås, kan resultere i død eller alvorlig personskade.

FORSIKTIGHETSREGL

Indikerer en potensiell farlig situasjon, som, hvis ikke unngås, kan resultere i mindre eller moderat personskade.

FORSIKTIGHETSREGL

Uten sikkerhetsvarselsymbol
Indikerer en situasjon som kan føre til skade på eiendom.

SYMBOLER I DENNE MANUALEN



Deler eller tilbehør solgt separat



Nb



Advarsel



Lås



Låse opp

В дизайне вашего беспроводного снегоочистителя в первую очередь учтены безопасность, эффективность и функциональная надежность.

НАЗНАЧЕНИЕ

Беспроводной снегоочиститель предназначен только для наружного использования в хорошо освещенной зоне работником, стоящим позади прибора. Беспроводной снегоочиститель могут пользоваться только компетентные взрослые, которые прочли инструкции по технике безопасности, осознали опасности, связанные с эксплуатацией изделия, и могут считаться ответственными за свои действия. Из соображений безопасности всегда необходимо эксплуатировать инструмент, управляя им двумя руками.

Прибор разработан для очистки от снега таких территорий как проезжие дороги, пешеходные дорожки, тротуары, тропинки, мостовые, и вокруг жилых домов. Прибор может удалять снег глубиной до 25 см.

Во время эксплуатации изделия запрещается поднимать его над землей. Запрещается ездить на нем. Используйте данное устройство только по его прямому назначению в соответствии с данным руководством.

ОБЩИЕ ПРАВИЛА ТЕХНИКИ БЕЗОПАСНОСТИ

⚠ ОСТОРОЖНО

При использовании устройства необходимо соблюдать правила техники безопасности. В целях собственной безопасности и безопасности наблюдающих лиц перед использованием устройства прочитайте приведенные в данном руководстве инструкции. Сохраните данные инструкции для последующего использования.

⚠ ОСТОРОЖНО

Прибор должен работать от портативного источника питания. Во избежание опасности возгорания, течи аккумуляторной батареи и получения травм при использовании электроинструментов с питанием от аккумуляторных батарей следует соблюдать основные правила техники безопасности.

ОБУЧЕНИЕ

- Прочитайте и изучите инструкции и предупреждения относительно безопасного использования. Ознакомьтесь с элементами управления и правильным использованием устройства.
- Никогда не позволяйте детям или людям с ограниченными физическими, сенсорными или умственными способностями, а также людям, незнакомым с этими инструкциями, работать с этим устройством, выполнять его очистку и техническое обслуживание. Местные инструкции могут ограничить возраст оператора. Не допускайте того, чтобы дети играли с этим устройством.
- Иметь в виду, что оператор или пользователь ответственны за несчастные случаи или опасности, встречающиеся другим людям или их собственности.
- Не допускайте прохожих, детей и домашних животных ближе чем на 15 м от рабочей зоны. Остановите устройство, если кто-то войдет в рабочую зону.
- Не работайте с изделием, если вы утомлены, больны, находитесь в состоянии алкогольного, наркотического опьянения или под воздействием лекарственных средств.
- Соблюдайте осторожность, чтобы избежать скольжения или падения, особенно при работе в обратном направлении.

ПОДГОТОВКА

- Внимательно осмотрите территорию, на которой прибор будет использоваться, и удалите все половики, санки, настилы, провода и иные посторонние предметы.



EN
FR
DE
ES
IT
NL
PT
DA
SV
FI
NO
RU
PL
CS
HU
RO
LV
LT
ET
HR
SL
SK
BG
UK

- При работе с прибором всегда надевайте соответствующую зимнюю одежду и нескользящую надежную обувь. Не носите слишком свободную одежду или такую одежду, в которой есть свисающие шнуры или завязки, они могут застрять в движущихся частях.
- Соберите длинные волосы выше плеч, чтобы предотвратить их попадание в движущиеся части.
- Обязательно носите специальные устройства защиты зрения. Производитель настоятельно рекомендует носить шлем-маску или защитные очки закрытого типа. Обычные очки или солнцезащитные очки не являются надлежащей защитой. Предметы могут отбрасываться с большой скоростью и могут отскакивать от твердых поверхностей в сторону работника. В соответствующих условиях должны использоваться пылезащитные маски, защитные шлемы или средства защиты органов слуха.
- Убедитесь перед каждым использованием, что все элементы управления и предохранительные устройства функционируют правильно. Не используйте инструмент, если невозможно остановить устройство выключателем.
- Перед каждым использованием обязательно выполняйте визуальную проверку, чтобы убедиться в том, что корпус не поврежден, и что защитные приспособления и ручки находятся на месте и надежно закреплены.
- Для замены поврежденных или нечитаемых маркировок относите прибор в авторизованный сервисный центр.
- Перед началом снегоуборки дайте прибору приспособиться к температуре наружного воздуха.

ЭКСПЛУАТАЦИЯ УСТРОЙСТВА С АККУМУЛЯТОРНЫМ ПИТАНИЕМ И УХОД ЗА НИМ

- Прочитайте, уясните и всегда следуйте инструкции по технике безопасности, прилагаемой к батарее и зарядному устройству. Несоблюдение инструкции может привести к поражению

электрическим током, пожару и другим опасным ситуациям. Храните все инструкции вместе в надежном месте для дальнейшего использования.

- Нет необходимости включать изделия с аккумуляторным питанием в электрическую розетку, они всегда находятся в рабочем состоянии. Перед выполнением любых настроек, очисткой или удалением материала с устройства снимите аккумуляторную батарею.
- Зарядку аккумуляторной батареи следует производить только с помощью рекомендованного изготовителем зарядного устройства. Использование зарядного устройства с несовместимой аккумуляторной батареей может создать опасность возгорания. Используйте только то зарядное устройство, которое указано в инструкции.
- Используйте с данным устройством только предназначенные для него аккумуляторные батареи. Использование аккумуляторных батарей другого типа может привести к возгоранию, поражению электрическим током или телесным повреждениям.
- Если аккумуляторная батарея не используется, храните ее отдельно от других металлических предметов, например канцелярских скрепок, монет, ключей, гвоздей, винтов и других мелких металлических предметов, которые могут привести к замыканию контактов батареи. Замыкание полюсов батареи может привести к искрам, возгоранию, пожару или взрыву.
- Не размещайте батареи рядом с источниками огня или тепла. Это повышает риск взрыва и получения травмы.
- Не вскрывайте и не разбирайте аккумуляторную батарею. Вытекающий электролит является разъедающим веществом, которое может привести к поражению глаз или кожи. При проглатывании электролит может привести к отравлению.
- Оберегайте аккумуляторную батарею от сырости и воды. Не заряжайте устройство с аккумуляторным питанием в сыром или влажном месте. Избегайте ударов током, пожара и тяжелых травм.



- При повреждении или ненадлежащем использовании аккумуляторной батареи из нее могут выделяться испарения. В случае появления признаков недомогания обеспечьте поступление свежего воздуха и обратитесь за врачебной помощью. Испарения могут вызвать раздражение органов дыхания.
- Не оставляйте аккумуляторные батареи внутри прибора в жарких или холодных условиях.
- ЛИТИЙ-ИОННАЯ батарея может использоваться при температуре до -20°C. Установите батарею в изделие и используйте его в легких режимах работы. Приблизительно через минуту аккумуляторная батарея нагреется и инструмент начнет нормально функционировать.
- Не сжигайте аккумуляторную батарею. В случае если батареи вышли из строя, утилизируйте их правильным образом в соответствии с местными правилами вашего региона.
- При ненормальных условиях из батареи может вытечь жидкость, избегайте контакта с ней. Если этого избежать не удалось, смойте жидкость водой. Если жидкость попала в глаза, после их промывания обратитесь за медицинской помощью. Жидкость, вытекающая из батареи, может вызвать раздражение или ожог.

ПРАВИЛА ТЕХНИКИ БЕЗОПАСНОСТИ ДЛЯ БЕСПРОВОДНОГО СНЕГООЧИСТИТЕЛЯ

- Не держите руки или ноги вблизи вращающихся деталей или под ними.
- Следует соблюдать осторожность, следить за своими действиями и руководствоваться здравым смыслом при работе с устройством. Малейшая невнимательность при работе с устройством может привести к серьезным травмам.
- Проявляйте крайнюю осторожность при работе или при пересечении дорог и мостовых, посыпанных гравием. Будьте бдительным на предмет скрытых опасностей или дорожного движения.
- Никогда не используйте машину на высоких скоростях транспорта на скользких поверхностях. Будьте осторожны при движении задним ходом.
- Не производите сброс на прохожих или не позволяйте посторонним находиться перед прибором.
- Не очищайте снег у поверхности откоса. Осуществлять чрезвычайное предостережение при изменении направления на склонах. Не пытайтесь очищать снег на крутых склонах.
- Не работайте с прибором без надлежащих ограждений, плит или иных надежных предохранительных приспособлений на месте.
- Не работайте с прибором рядом со стеклянными ограждениями, автомобилями, окнами или входными дверями без надлежащей регулировки угла сброса снега. Не подпускайте посторонних, особенно детей и домашних животных, в зону проведения работ.
- Никогда не кладите прибор на какую-либо поверхность, кроме твердой чистой поверхности, при работающем моторе. Гравий, песок и другие наносы могут собираться в отверстиях для впуска воздуха и отбрасываться на работника или прохожих, что может привести к тяжелым травмам.
- Не перегружайте прибор, стараясь очищать от снега при слишком высокой скорости.
- Используйте прибор на хорошо освещенной территории и следите за препятствиями или опасностями, освещаемыми подсветками прибора.
- Не используйте прибор, если есть опасность поражения молнией.
- Держите свободным разгрузку, открывающейся всегда. Не кладите посторонние предметы в отверстия.
- Не используйте изделия с аккумуляторным питанием во взрывоопасной среде, например, при наличии легковоспламеняющихся жидкостей, газов или пыли.
- Держать устойчивую опору и баланс. Не перенапрягать. Перенапряжение может кончатся потерей баланса.
- Всегда сохраняйте устойчивость на склонах и ходите спокойно, не бегите.

- Запрещается каким-либо образом изменять конструкцию устройства или использования детали и принадлежности, не рекомендованные производителем.
- Никогда пытаться делать какие-либо коррективы в то время как двигатель работает, за исключением случаев, специально рекомендованных производителем.

▲ ОСТОРОЖНО

Если устройство уронили, оно издает громкий стук или начинает чрезмерно вибрировать, немедленно остановите его и проверьте на наличие повреждений или выясните причину вибрации. Любые поврежденные детали должны быть надлежащим образом отремонтированы или заменены в авторизованном сервисном центре.

- Чтобы уменьшить риск травм, связанных с контактом с вращающимися деталями, всегда останавливайте прибор, снимайте батареи, проверяйте, чтобы все движущиеся части остановили движение.
 - перед очисткой или устранением забивания
 - оставляя продукт без присмотра
 - перед проверкой, техобслуживанием и эксплуатацией устройства
 - после удара о посторонний предмет проверьте устройство на предмет повреждения
 - если продукт начинает вибрировать (проверьте немедленно).

СОВЕТЫ ПО ЭКСПЛУАТАЦИИ

- Прибор не будет работать, если верхняя ручка прикреплена неправильно и зажим, блокирующий ручку, зажат ненадежно. В приборе есть две защитные блокировки для предотвращения случайного запуска, если прибор собран неправильно.
- Перед началом работы с прибором, обратите внимание на направление ветра. Сбрасывайте снег в том же направлении, что и направление ветра, чтобы снег не попадал вам в лицо.
- По завершении работы дайте мотору

поработать несколько минут, затем несколько раз поверните рычаг поворот лотка назад и вперед, чтобы удалить оставшийся снег с лотка.

ТРАНСПОРТИРОВКА И ХРАНЕНИЕ

- Остановите устройство, снимите батарею и дайте ему остыть перед постановкой на хранение или транспортировкой.
- Очистите устройство от всех посторонних материалов. Храните его в прохладном, сухом, хорошо проветриваемом и недоступном для детей месте. Не держите бензопилу рядом с коррозионными веществами, такими как садовые химикаты или размораживающая соль. Не храните на открытом воздухе.
- Перед транспортировкой закрепите устройство, чтобы не допустить его перемещения или падения в целях обеспечения безопасности персонала или устройства.

ТЕХНИЧЕСКОЕ ОБСЛУЖИВАНИЕ

▲ ОСТОРОЖНО

Используйте только оригинальные запчасти, аксессуары и насадки от производителя. Невыполнение этого требования может привести к травме, к снижению производительности и к аннулированию гарантии.

▲ ОСТОРОЖНО

Обслуживание требует чрезвычайной заботы и знания и должно быть выполнено только квалифицированным техником обслуживания. Отнесите прибор в авторизованный сервисный центр. При обслуживании использовать только идентичные сменные части.

- Вы можете также выполнить другие виды регулировки и ремонтные работы, описанные в данном руководстве. По вопросу ремонта обращайтесь в авторизованный сервисный центр.
- После каждого использования протирайте изделие мягкой сухой тканью.

- Проверить все болты, задвижки, и винты, через короткие интервалы, на надлежащую плотность, чтобы убедиться, что изделие находится в безопасном, рабочем состоянии. В случае повреждения какой-либо детали необходимо обратиться в авторизованный сервисный центр для выполнения надлежащего ремонта или замены.

ОЧИСТКА ЗАСОРЕНИЯ

▲ ОСТОРОЖНО

Никогда не помещайте руки или ноги перед прибором или не сбрасывайте с лотка, чтобы избежать тяжелых травм.

- Опустите курок и снимите аккумуляторные батареи.
- Убедитесь в полной остановке всех движущихся деталей.
- Используйте деревянный штырь, чтобы снять блокировку.
- Поверните лопастное устройство с помощью деревянного штыря.
- Будьте осторожны, лопастное устройство может перемещаться само по себе во время снятия блокировки в виду накопившейся энергии в механизме.
- Как только лопастное устройство будет повернуто с помощью деревянного штыря, передвиньте его в заднюю часть прибора.
 - Нормально, если лопастной механизм перемещается пошагово.
- Чтобы продолжить уборку снега, убедитесь, что он в безопасном положении.
- Установите аккумуляторные батареи. Включите прибор.

БУДЬТЕ ВСЕГДА ОСТОРОЖНЫ

Даже при использовании данного инструмента строго по назначению, невозможно полностью исключить отдельные факторы риска. При эксплуатации могут возникнуть следующие ситуации, которым пользователь должен уделять особое внимание, чтобы избежать

проблем:

- Травма, вызванная шумом.
 - Носите устройства защиты слуха и ограничивайте продолжительность шумового воздействия.
- Травма от летающих предметов, отлетающих от вращающегося лопастного механизма в передней части прибора или от лотка для снега.
 - Обязательно носите специальные устройства для защиты глаз.

ИЗУЧИТЕ УСТРОЙСТВО

См. стр. 133.

1. Верхняя ручка
2. Триггер включения/выключения
3. Блокировка кнопки запуска
4. Управляющий кабель двигателя
5. Рычаг поворота лотка
6. Зажим блокировки ручки
7. Поворотный вал лотка
8. Ручка отражателя лотка
9. Отражатель лотка
10. Светодиодные лампочки
11. Лопастной механизм
12. Промежуточная ручка
13. Маховик регулировки ручки
14. Нижняя ручка
15. Ручка для ношения/поднятия
16. Отсек для хранения батарей
17. Отсек для используемых батарей
18. Аккумулятор
19. Зарядное устройство

УСЛОВНЫЕ ОБОЗНАЧЕНИЯ НА ПРОДУКТЕ



Внимательно прочитайте все инструкции перед началом работы с продуктом, соблюдайте все предупреждения и инструкции по безопасности.



Помните об опасности, которую представляют собой отбрасываемые устройством или вылетающие из-под него предметы. Не допускайте приближения посторонних лиц, особенно детей и домашних животных к рабочей зоне ближе чем на 15 м



Используйте средства защиты органов зрения



ОПАСНО! Во избежание травм не касайтесь вращающейся крыльчатки. Держите руки, ноги и одежду подальше.



ОПАСНО! Извлеките батарею и прочитайте инструкции в руководстве перед устранением засорения. Не допускайте попадания рук и ног перед устройством и желобом выброса.

Отработанная электротехническая продукция должна уничтожаться вместе с бытовыми отходами. Утилизируйте, если имеется специальное техническое оборудование. По вопросам утилизации проконсультируйтесь с местным органом власти или предприятием розничной торговли.



Настоящий инструмент отвечает всем официальным стандартам страны ЕС, в которой он был приобретен.



Знак Евразийского Соответствия



Украинский знак стандартизации



Гарантированный уровень звуковой мощности 86 дБ



Нажмите и удерживайте



Сожмите и удерживайте, чтобы работать



Отсек для хранения батарей



Отсек для используемых батарей

Следующие сигнальные слова и значения предназначены для того, чтобы объяснить уровень риска, связанного с этим изделием:

⚠ ОПАСНО

Указывает неизбежно опасную ситуацию, которая, если не избежать, кончится смертельным или серьезным ущербом.

⚠ ОСТОРОЖНО

Указывает потенциально опасную ситуацию, которая, если не избежать, может кончатся смертельным или серьезным ущербом.

⚠ ПРЕДОСТЕРЕЖЕНИЕ

Указывает потенциально опасную ситуацию, которая, если не избежать, может кончатся малым или уменьшенным ущербом.

ПРЕДОСТЕРЕЖЕНИЕ

Употребляется без предупреждающего знака

Указывает на ситуацию, которая может привести к повреждению имущества.

УСЛОВНЫЕ ОБОЗНАЧЕНИЯ В ДАННОМ РУКОВОДСТВЕ.



Детали или принадлежности, приобретаемые отдельно



Примечание



Осторожно



Сцепить



Расцепить

W przypadku tej bezprzewodowej odśnieżarki zwrócono szczególną uwagę na zapewnienie bezpieczeństwa, wysokiej wydajności oraz niezawodności.

PRZEZNACZENIE

Bezprzewodowa odśnieżarka jest przeznaczony do użytku wyłącznie na zewnątrz pomieszczeń w dobrze oświetlonym miejscu przy obsłudze na stojąco, przez operatora idącego za produktem. Bezprzewodowej odśnieżarki może być używana wyłącznie przez dorosłe osoby, które przeczytały i zrozumiały instrukcje oraz ostrzeżenia podane w tym podręczniku oraz, które mogą odpowiadać za swoje działania. Ze względów bezpieczeństwa produkt musi być odpowiednio kontrolowany – należy przez cały czas trzymać go obiema rękoma.

Produkt jest przeznaczony do usuwania śniegu w miejscach takich jak podjazdy, chodniki, ścieżki, drogi oraz na obszarze wokół domu. Produkt może przenosić śnieg o głębokości do 25 cm.

Produkt nigdy nie może być używany, gdy koła nie mają kontaktu z ziemią. Nie wolno na nim jeździć. Produkt może być wyłącznie używany zgodnie z opisem zawartym w tym podręczniku i nie wolno używać go do innych celów.

OGÓLNE ZASADY BEZPIECZEŃSTWA

⚠ OSTRZEŻENIE

Podczas używania tego urządzenia należy przestrzegać odpowiednich zasad bezpieczeństwa. Aby zapewnić bezpieczeństwo sobie i osobom postronnym, przed przystąpieniem do użytkowania urządzenia należy zapoznać się z niniejszą instrukcją. Niniejszą instrukcję należy przechowywać w bezpiecznym miejscu do późniejszego użytku.

⚠ OSTRZEŻENIE

Produkt może pracować wyłącznie z akumulatorem. W przypadku korzystania z urządzeń akumulatorowych należy zawsze przestrzegać podstawowych zasad bezpieczeństwa w celu ograniczenia ryzyka pożaru, wycieku elektrolitu z akumulatorów oraz obrażeń ciała.

SZKOLENIE

- Należy przeczytać ze zrozumieniem instrukcje oraz ostrzeżenia dotyczące bezpieczeństwa. Należy zapoznać się z przyrządami sterowania oraz zasadami prawidłowej obsługi produktu.
- Nie wolno pozwalać obsługiwać, czyścić ani konserwować tego urządzenia dzieciom lub osobom o ograniczonych zdolnościach fizycznych, sensorycznych lub umysłowych ani osobom, które nie przeczytały tych instrukcji. Przepisy lokalne mogą ograniczać dopuszczalny wiek operatora. Należy dopilnować, aby dzieci nie bawiły się produktem.
- Należy pamiętać, że operator lub użytkownik jest odpowiedzialny za spowodowanie wypadku lub zagrożenia bezpieczeństwa osób i mienia.
- Osoby postronne, dzieci i zwierzęta muszą znajdować się w odległości przynajmniej 15 metrów od miejsca pracy. Jeśli na obszarze znajduje się inna osoba, należy zatrzymać produkt.
- Nigdy nie wolno używać produktu, gdy użytkownik jest zmęczony lub pod wpływem alkoholu, narkotyków lub leków.
- Należy zachować ostrożność, aby uniknąć poślizgnięcia się lub upadku, zwłaszcza podczas pracy w odwrotnej kolejności.

PRZYGOTOWANIE

- Dokładnie sprawdzić obszar, na którym będzie używane urządzenie i usunąć wszystkie wycieraczki, sanki, deski, przewody, kości, zabawki i inne obce przedmioty.
- Podczas obsługi maszyny zawsze należy nosić odpowiednią odzież zimową oraz przeciwpoślizgowe obuwie ochronne. Należy unikać noszenia luźnej odzieży lub ubrań ze zwisającymi sznurkami lub ozdobami, ponieważ mogą zostać one pochwycone przez ruchome części.
- Długie włosy należy związać, aby znajdowały się powyżej ramion i aby nie zostały pochwycone przez maszynę.
- Podczas obsługi produktu przez cały czas należy stosować pełne zabezpieczenie oczu. Producent zdecydowanie zaleca stosowanie pełnej maski twarzowej lub pełnych gogli. Standardowe okulary lub okulary przeciwsłoneczne nie zapewniają

wymaganego zabezpieczenia. Obiekty mogą być odrzucone z dużą szybkością i mogą odbić się od twardej powierzchni, uderzając operatora. Jeśli warunki tego wymagają, należy zakładać maskę przeciwpyłową, hełm ochronny lub środki ochrony słuchu.

- Przed użyciem należy sprawdzić, czy wszystkie przyrządy sterowania oraz zabezpieczenia działają prawidłowo. Nie należy używać narzędzia, jeśli wyłącznik („off”) nie umożliwi wyłączenia produktu.
- Przed każdym użyciem zawsze należy wizualnie sprawdzić, czy obudowa nie jest uszkodzona oraz, czy osłony i uchwyty są zamontowane i odpowiednio zabezpieczone.
- Jeśli etykiety są uszkodzone lub nieczytelne, należy zwrócić produkt do punktu serwisowego w celu wymiany etykiet.
- Przed rozpoczęciem usuwania śniegu należy poczekać, aż maszyna osiągnie temperaturę zewnętrzną.

UŻYTKOWANIE I OBSŁUGA AKUMULATORA

- Należy przeczytać, zrozumieć i zawsze przestrzegać instrukcji bezpieczeństwa dostarczonych z akumulatorem i ładowarką. W przeciwnym razie może dojść do porażenia prądem, pożaru lub innej niebezpiecznej sytuacji. Wszystkie instrukcje należy przechowywać razem w bezpiecznym miejscu w celu wykorzystania w przyszłości.
- Narzędzia akumulatorowe nie muszą być podłączane do sieci energetycznej i zawsze są w stanie gotowym do uruchomienia. Przed rozpoczęciem regulacji, czyszczenia lub usuwania materiału z urządzenia należy wyjąć akumulator.
- Akumulator może być ładowany wyłącznie za pomocą ładowarki dostarczonej przez producenta. Użycie ładowarki z niezgodnym akumulatorem może być przyczyną pożaru. Należy wyłącznie używać ładowarki opisanej w tej instrukcji.
- Używać wyłącznie akumulatora przeznaczonego do tego urządzenia. Używanie innych akumulatorów może spowodować pożar, porażenie prądem lub obrażenia ciała.

- Gdy akumulator nie jest używany, przechowywać go z dala od innych metalowych przedmiotów, np. spinaczy, monet, kluczy, gwoździ, śrub lub innych małych metalowych przedmiotów, które mogłyby utworzyć połączenie między stykami, prowadząc do zwarcia. Zwarcie styków akumulatora może spowodować iskrzenie, oparzenia, pożar lub eksplozję.
- Nie umieszczać urządzeń akumulatorowych ani samych akumulatorów w pobliżu ognia lub źródeł ciepła. Zwiększa to ryzyko eksplozji i obrażeń ciała.
- Nie otwierać i nie modyfikować akumulatora. Wyciekający elektrolit jest czynnikiem korozyjnym i może powodować urazy oczu lub skóry. W razie poknięcia może być toksyczny.
- Chronić akumulator przed wilgocią i wodą. Nie ładować akumulatora w warunkach mokrych lub wilgotnych. W ten sposób zmniejszycie ryzyko porażenia prądem elektrycznym, pożaru czy obrażeń ciała.
- W przypadku uszkodzenia i nieprawidłowego użytkowania akumulatora może dojść do emisji oparów. Należy udać się na świeże powietrze i w razie dolegliwości uzyskać pomoc medyczną. Opary mogą podrażnić układ oddechowy.
- Nie wolno pozostawiać akumulatora w samochodzie przy wysokiej lub niskiej temperaturze.
- Akumulator LITOWO-JONOWY może być używany w temperaturach do -20°C. Podłączyć akumulator do produktu i używać produktu do lekkich zastosowań. Po upływie około minuty, akumulator nagrzej się i można rozpocząć normalną pracę.
- Nie wolno wrzucać akumulatora do ognia. Gdy upłynie termin przydatności akumulatora, należy zutylizować go zgodnie z obowiązującymi przepisami.
- W przypadku niewłaściwej obsługi może dojść do wycieku płynu z akumulatora, należy unikać kontaktu z tym płynem. Miejsce ewentualnego kontaktu przepłukać wodą. W przypadku, gdy płyn dostanie się do oczu, po przemyciu zwrócić się o pomoc do lekarza. Płyn wyciekający z akumulatora może powodować podrażnienia i oparzenia.

ZASADY BEZPIECZEŃSTWA DOTYCZĄCE BEZPRZEWODOWEJ ODŚNIEŻARKI

- Nie umieszczać rąk lub nóg w pobliżu lub pod częściami obrotowymi.
- Posługując się urządzeniem, należy zachować czujność i kierować się zdrowym rozsądkiem. Chwila nieuwagi podczas obsługi urządzenia może spowodować poważne urazy ciała.
- Należy zachować szczególną ostrożność podczas pracy lub przechodzeniu przez drogi, przejścia lub chodniki z powierzchnią z tłucznia. Należy zwrócić uwagę na niewidoczne zagrozenia lub ruch uliczny.
- Nigdy nie używać urządzenia przy wysokich prędkościach transportowych na śliskich nawierzchniach. Należy uważać, aby podczas cofania.
- Nigdy nie należy kierować wylotu urządzenia na przechodniów lub inne osoby znajdujące się przed produktem.
- Nie odśnieżać w poprzek zasp. Zachować szczególną ostrożność podczas zmiany kierunku jazdy na pochyłym terenie. Nie należy próbować odśnieżać stromych zasp.
- Nigdy nie należy obsługiwać produktu bez założonych odpowiednich osłon, płyt lub innych elementów zabezpieczających.
- Nigdy nie należy używać produktu w pobliżu szklanych powierzchni, pojazdów, okien lub drzwi bez odpowiedniego ustawienia kąta wyrzutu śniegu. Osoby postronne, a szczególnie dzieci i zwierzęta, należy trzymać z dala od miejsca pracy.
- Nigdy nie należy umieszczać produktu na powierzchni innej niż twarde, czyste podłoże, gdy silnik pracuje. Żwir, piasek oraz inny drobny materiał może dostać się do wlotu powietrza i może być odrzucony w stronę operatora lub przechodniów, powodując poważne urazy ciała.
- Nie przeciążać maszyny, próbując zbyt szybko zbierać śnieg.
- Maszynę należy używać w dobrze oświetlonym miejscu i zwracać uwagę na niebezpieczeństwa lub przeszkody oświetlone reflektorami maszyny.
- Nie używać produktu, jeśli występuje ryzyko wyładowania atmosferycznego.
- Należy cały czas trzymać się z dala od

otworów wyrzutowych. Nie należy wkładać żadnych obiektów do otworów.

- Nie używać urządzenia w atmosferze wybuchowej, np. w obecności łatwopalnych cieczy, gazów i pyłów.
- Stać stabilnie, zachowując równowagę. Nie sięgać zbyt daleko. Sięganie zbyt daleko grozi utratą równowagi.
- Zawsze należy zwracać uwagę na odpowiednie oparcie stóp na zboczach i zawsze należy chodzić, nigdy biegać.
- Nie należy modyfikować maszyny w żaden sposób ani używać części i akcesoriów, które nie są zalecane przez producenta.
- Nie wolno dokonywać żadnych zmian, podczas gdy silnik pracuje, z wyjątkiem szczególnych przypadków zalecane przez producenta.

⚠ OSTRZEŻENIE

W przypadku upuszczenia produktu, narażenia jej na silne uderzenie lub w przypadku wystąpienia nietypowych wibracji należy natychmiast zatrzymać produkt i sprawdzić, czy nie ma oznak uszkodzenia lub ustalić przyczynę wibracji. Wszelkie uszkodzone części muszą być odpowiednio naprawione lub wymienione w autoryzowanym punkcie serwisowym.

- Aby ograniczyć ryzyko urazów ciała związanych z kontaktem z obracającymi się częściami, zawsze należy zatrzymać produkt, wyjąć akumulator i sprawdzić, czy wszystkie ruchome części zatrzymały się:
 - przed czyszczeniem lub usuwaniem zablokowanego materiału
 - pozostawiając produkt bez nadzoru
 - przed sprawdzeniem, konserwacją lub obsługą produktu
 - po uderzeniu obcego przedmiotu w celu sprawdzenia, czy produkt nie został uszkodzony
 - jeśli produkt zacznie wibrować w nietypowy sposób (należy natychmiast przeprowadzić kontrolę).

WSKAZÓWKI DOTYCZĄCE OBSŁUGI

- Produkt nie będzie działał, jeśli górny uchwyt będzie nieprawidłowo zamontowany i zaczep blokady uchwytu nie będzie dobrze zamocowany. Występują dwie

blokadę zabezpieczającą, które chronią przed przypadkowym uruchomieniem w przypadku nieprawidłowego złożenia maszyny.

- Przed rozpoczęciem pracy z maszyną należy zwrócić uwagę na kierunek wiatru. Należy kierować śnieg zgodnie z kierunkiem wiatru, aby nie dopuścić do zawiewania śniegu.
- Po zakończeniu należy pozostawić uruchomiony silnik na kilka minut, a następnie kilkakrotnie przekręcić dźwignię obrotu wylotu w obie strony, aby usunąć pozostały śnieg z wylotu.

TRANSPORT I PRZECHOWYWANIE

- Przed schowaniem lub transportem maszyny należy zatrzymać ją i pozostawić do ostygnięcia.
- Usunąć z produktu wszelkie zanieczyszczenia. Należy przechowywać urządzenie w chłodnym, suchym i dobrze wentylowanym miejscu, które jest niedostępne dla dzieci. Nie chowajcie jej w pobliżu czynników zrączych, takich jak ogrodowe produkty chemiczne czy sole odmrażające. Nie przechowywać na zewnątrz.
- W przypadku transportu urządzenia należy zabezpieczyć je przed przemieszczaniem się lub upadkiem, aby nie dopuścić do obrażeń ciała lub uszkodzenia urządzenia.

KONSERWACJA

⚠ OSTRZEŻENIE

Należy stosować wyłącznie oryginalne części zamienne, akcesoria oraz przystawki producenta. W przeciwnym razie może dojść do obrażeń ciała, niskiej wydajności oraz do unieważnienia gwarancji.

⚠ OSTRZEŻENIE

Serwisowanie wymaga wyjątkowej staranności i wiedzy. Może być wykonywane wyłącznie przez wykwalifikowany personel serwisowy. Należy zwrócić produkt do punktu serwisowego w celu. Do napraw używać wyłącznie identycznych zamienników.

- Możesz wykonywać czynności regulacyjne i naprawcze opisane w tej instrukcji obsługi. W przypadku innych napraw należy skontaktować się autoryzowanym punktem serwisowym.
- Po każdym użyciu należy wyczyścić produkt miękką, suchą szmatką.
- Systematycznie sprawdzać, czy wszystkie nakrętki, wkręty i śruby są dobrze dokręcone, aby upewnić się, że produkt jest w bezpiecznym stanie. Każdą uszkodzoną część należy odpowiednio naprawić lub wymienić w autoryzowanym punkcie serwisowym.

USUWANIE ZABLOKOWANYCH ELEMENTÓW

⚠ OSTRZEŻENIE

Nigdy nie należy umieszczać rąk lub nóg przed produktem lub wylotem, ponieważ może to spowodować poważne urazy ciała.

- Zwolnić spust i wyjąć akumulator.
- Upewnić się, że wszystkie elementy ruchome zostały całkowicie zatrzymane.
- Usunąć zablokowany materiał za pomocą drewnianego kija.
- Obrócić zespół wirnika za pomocą drewnianego kija.
- Uwaga, wirnik może poruszyć się samoistnie podczas usuwania zablokowanego materiału na skutek uwolnienia energii resztkowej.
- Gdy można obrócić wirnik za pomocą drewnianego kija, należy stanąć za produktem.
 - Krokowa praca mechanizmu jest normalnym zjawiskiem.
- Należy upewnić się, że dalsze odśnieżanie jest bezpieczne.
- Zainstalować akumulator. Włączyć produkt.

RYZYKO ZWIĄZANE Z UŻYTKOWANIEM:

Nawet jeśli urządzenie jest używane zgodnie z zaleceniami, nadal nie jest możliwe wyeliminowanie określonych czynników ryzyka. Następujące zagrożenia mogą wystąpić podczas używania urządzenia i operator powinien zwracać szczególną uwagę na poniższe punkty:

- Urazy ciała spowodowane hałasem
 - Należy nosić środki ochrony uszu oraz ograniczyć poziom narażenia.
- Urazy ciała spowodowane obiektami odrzucanymi w górę i do przodu przez obracający wirnik lub wylatującymi przez otwór wylotowy maszyny.
 - Stosować przez cały czas odpowiednie środki ochrony oczu.

ZAPOZNAJ SIĘ ZE SWOIM PRODUKTEM

Patrz str. 133.

1. Uchwyt górny
2. Cyngiel Wł-Wył
3. Przycisk odblokowania spustu
4. Kabel sterujący silnika
5. Dźwignia obrotu wylotu
6. Zaczep blokady uchwytu
7. Walek obrotowy wylotu
8. Uchwyt deflektora wylotu
9. Deflektor wylotu
10. Oświetlenie LED
11. Wirnik
12. Uchwyt pośredni
13. Pokrętko regulacji uchwytu
14. Opuścić uchwyt
15. Uchwyt do podnoszenia/przenoszenia
16. Komora przechowywania akumulatora
17. Komora robocza akumulatora
18. Akumulator
19. Ładowarka akumulatora

SYMBOLE PRODUKTU



Należy przeczytać i zrozumieć wszystkie instrukcje przed rozpoczęciem obsługi produktu oraz przestrzegać wszystkich ostrzeżeń i instrukcji dotyczących bezpieczeństwa.



Uwaga na odrzucane przedmioty. Wszystkie osoby postronne, a szczególnie dzieci i zwierzęta, muszą znajdować się w odległości przynajmniej 15 metrów od miejsca pracy.



Zakładać środki ochrony wzroku



NIEBEZPIECZEŃSTWO!

Unikać urazów ciała na skutek kontaktu z obrotowym wirnikiem. Nie zbliżać rąk, nóg ani odzieży.



NIEBEZPIECZEŃSTWO!

Wyjąć akumulator i przeczytać instrukcje zawarte w podręczniku przed usunięciem obcych elementów. Nie zbliżać rąk ani nóg do przedniej części maszyny oraz do otworu wylotowego.



Zużyte produkty elektryczne nie powinny być utylizowane z odpadami domowymi. Prosimy poddawać recyklingowi w odpowiednich miejscach. Informacje o właściwych metodach recyklingu można uzyskać u władz lokalnych lub sprzedawcy.



Narzędzie to spełnia wymogi wszystkich norm reglamentacji kraju UE, w którym było ono zakupione.



Znak zgodności EurAsian



Ukraiński znak zgodności



Gwarantowany poziom mocy akustycznej wynosi 86 dB



Nacisnąć i przytrzymać



Ścisnąć i przytrzymać, aby rozpocząć pracę



Komora przechowywania akumulatora



Komora robocza akumulatora

Następujące wyrażenia i znaczenia wyrażają poziom zagrożenia związanego z tym produktem:

⚠ NIEBEZPIECZEŃSTWO

Wskazuje na realne zagrożenie, które może spowodować śmierć lub poważne zranienie, jeżeli się nie uniknie tego niebezpieczeństwa.

⚠ OSTRZEŻENIE

Wskazuje na potencjalne zagrożenie, które może spowodować śmierć lub poważne zranienie, jeżeli się nie uniknie tego niebezpieczeństwa.

⚠ UWAGA

Wskazuje na potencjalne zagrożenie, które może spowodować mniejsze lub bardziej poważne zranienie, jeżeli się nie uniknie tego niebezpieczeństwa.

UWAGA

Bez symbolu ostrzeżenia

Sytuacja, która może grozić uszkodzeniem mienia.

SYMBOLE W TYM PODRĘCZNIKU



Części lub akcesoria sprzedawane oddzielnie



Objaśnienie



Ostrzeżenie



Blokada



Odkręcenie uchwytu



V návrhu akumulátorové sněhové frézy byla kladena nejvyšší priorita bezpečnosti, výkonu a spolehlivosti.

ZAMÝŠLENÉ POUŽITÍ

Akumulátorová sněhová fréza je určena k venkovnímu použití při dobrém osvětlení, kdy uživatel kráčí za zařízením. Akumulátorovou sněhovou frézu je určen pouze pro používání dospělými osobami, které si přečetly a řádně pochopily pokyny a varování v této příručce a jsou zodpovědné za své konání. Z bezpečnostních důvodů se musí výrobek vždy řádně obsluhovat oběma rukama.

Zařízení je určeno pro odklizení sněhu v místech, jako jsou příjezdové cesty, chodníky, ochozy, cesty, silnice a prostranství kolem domů. Zařízení se může pohybovat ve sněhu hlubokém až 25 cm.

Výrobek se nesmí provozovat s koly nad zemí. Nemělo by se na něm jezdit. Výrobek by měl být používat pouze, jak je popsáno v této příručce a neměl by se používat pro žádné jiné účely.

OBECNÁ BEZPEČNOSTNÍ PRAVIDLA

▲ VAROVÁNÍ

Při používání výrobku musí být dodrženy bezpečnostní předpisy. Pro vaši vlastní bezpečnost i bezpečnost kolemjdoucích si přečtěte tento návod k obsluze. Tyto pokyny uschovejte pro příští použití.

▲ VAROVÁNÍ

Zařízení musí být provozováno pouze s akumulátorovou sadou. Pokud používáte elektricky poháněné přístroje, měly byste dodržovat základní bezpečnostní předpisy za účelem snížení nebezpečí požáru, elektrického úrazu nebo osobní újmy.

ZAŠKOLENÍ

- Přečtěte si návod a bezpečnostní upozornění a snažte se mu porozumět. Seznamte se s ovládáním a řádným používáním nástroje.
- Produkt není určen pro používání osobami, včetně dětí se sníženými tělesnými, smyslovými nebo duševními schopnostmi nebo s nedostatkem zkušeností a

znalostí, pokud neprošli školením ohledně používání, čištění či údržby. Místní předpisy mohou omezovat dobu obsluhy. Dohlédněte, aby si děti se spotřebičem nehrály.

- Uživatel nebo obsluha tohoto zahradnického nástroje je zodpovědná za nehody nebo nebezpečí způsobená na jiné osobě nebo jejich majetku.
- Všechny přihlízející, zvláště děti a zvířata udržujte 15m mimo pracovní oblasti. Zastavte výrobek, pokud někdo vstoupí do pracovního prostoru výrobku.
- Výrobek nepoužívejte, pokud jste unavení, nemocní nebo pod vlivem drog, alkoholu či léků.
- Buďte opatrní, aby se zabránilo uklouznutí nebo pádu, zejména při couvání.

PŘÍPRAVA

- Důkladně zkontrolujte celou plochu, kde má být zařízení používáno a odstraňte všechny rohožky, saně, desky, kabely a cizí předměty.
- Při práci se strojem noste vždy odpovídající zimní oděv a neklouzavou bezpečnostní obuv. Zamezte nošení volných oděvů, nebo které mají vlající šňůrky nebo pásky; mohou se zachytit do pohyblivých částí.
- Dlouhé vlasy si svažte nad rameny, aby se nemohly zaplést do pohyblivých částí.
- Při práci s nástrojem vždy používejte ochranu zraku. Výrobce důrazně doporučuje používat celoobličejovou masku nebo uzavřené ochranné brýle. Dioptrické ani sluneční brýle nejsou vhodnou ochranou. Předměty mohou být odhozeny vysokou rychlostí a mohou odskočit od tvrdých povrchů směrem k obsluze. Podle příslušných podmínek je třeba nosit ochrannou masku, přilbu nebo ochranu sluchu.
- Před každým použitím se ujistěte, že všechny ovladače a jištění řádně fungují. Nástroj nepoužívejte, pokud přepínač „nevypíná“ (off) nástroj.
- Zkontrolujte před každým použitím, zda jsou všechny chrániče, kryty proti trávě a rukojetě řádně a bezpečně namontovány a v dobrém stavu.
- Chcete-li vyměnit poškozené nebo nečitelné štítky, předejte zařízení do



autorizovaného servisního střediska.

- Než začnete odklízet sníh, nechte stroj přizpůsobit venkovní teplotě.

POUŽITÍ A PÉČE O NÁSTROJ NA BATERIE

- Přečtěte, pochopte a vždy dodržujte bezpečnostní pokyny dodané k akumulátoru a nabíječce. Nedodržování těchto pokynů může způsobit úraz elektrinou, požár či jiná nebezpečí. Tento návod k používání uložte na bezpečném místě k pozdějšímu nahlížení.
- Nástroje na akumulátory se nepřipojují do elektrické sítě; proto jsou vždy v provozním stavu. Před prováděním jakékoliv údržby, seřizování, odstraňování materiálu nebo před čištěním výrobku vytáhněte akumulátor.
- Dobíjejte akumulátor pouze nabíječkou určenou výrobcem. Použití nekompatibilní baterie s nabíječkou může způsobit nebezpečí požáru. Používejte pouze nabíječku uvedenou v pokynech.
- Výrobek používejte pouze s přesně určeným akumulátorem. Použití jakéhokoliv jiného akumulátoru může způsobit nebezpečí poranění, úrazu elektrinou a požáru.
- Pokud akumulátor nepoužíváte, uchovávejte jej mimo kovové předměty jako svorky pro papír, mince, klíče, hřebíky, šrouby nebo jiné malé kovové předměty, které mohou vytvořit propojení jednoho vývodu s druhým. Zkratování svorek akumulátorové sady může vést k jiskření, popáleninám, požáru nebo výbuchu.
- Neumísťujte přístroje na baterie nebo jeho baterie blízko ohně nebo tepla. Tím se zvyšuje riziko výbuchu a možného zranění.
- Baterii nerozebírejte ani nedeformujte. Uniklý elektrolyt je korozivní a může poškozovat oči neb kůži. Může ublížit, spolkne-li se.
- Nevystavujte akumulátor působení vlhkosti a vody. Nástroj na baterie nenabíjejte ve vlhkých ani mokřích prostředích. Tyto pokyny důsledně dodržujte, aby nedošlo ke vzniku požáru, úrazu elektrickým proudem nebo zranění.
- V případě poškození a nesprávného používání baterie mohou unikat výpary. Zajistěte čerstvý vzduch a v případě komplikací vyhledejte lékařskou pomoc. Výpary mohou dráždit dýchací systém.

- Nenechávejte akumulátorovou sadu uvnitř vozidla v horkém nebo chladném prostředí.
- LITHIUM-ION baterii lze používat do -20°C. Nasaďte baterii na nástroj a použijte nástroj při lehkém zatížení. Po asi minutě se akumulátor zahřeje a můžete již normálně pracovat.
- Baterii nepalte. Po uplynutí životnosti akumulátorové sady zlikvidujte sadu v souladu s místními předpisy platnými ve vaší zemi.
- Za nevhodných podmínek může z baterie vytékat kapalina; zabraňte kontaktu. Pokud dojde k náhodnému kontaktu, omyjte vodou. Pokud kapalina přijde do kontaktu s očima, vyhledejte lékařskou pomoc. Kapalina vytečená z baterie způsobí podráždění nebo popáleniny.

BEZPEČNOSTNÍ PRAVIDLA PRO AKUMULÁTOROVOU SNĚHOVOU FRÉZU

- Nemějte své ruce nebo nohy v blízkosti nebo pod rotujícími díly.
- Buďte ve střehu, hlídejte, co děláte a používejte zdravý rozum při provozu tohoto výrobku. Chvilce nepozornosti při práci s tímto výrobkem může způsobit vážná osobní poranění.
- Buďte extrémně opatrní při práci na šterkových cestách, chodnicích nebo silnicích případně při jejich křížování. Zůstaňte ve střehu, pokud jde o skryté nebezpečí nebo provoz.
- Nikdy nepoužívejte stroj při vysokých rychlostech dopravy na kluzkém povrchu. Při couvání buďte opatrní.
- Nikdy sníh nevyhazujte přímo na kolemjdoucí osoby a nedovolte, aby někdo byl před zařízením.
- Sníh neodklízejte napříč svahem. Je třeba opatrnosti, když měníte směr na svahu. Nepokoušejte se čistit strmé svahy.
- Zařízení nepoužívejte bez ochranných krytů, plechů nebo nainstalovaných jiných bezpečnostních zařízení.
- Nikdy nepoužívejte zařízení v blízkosti skleněných výplní, automobilů, oken nebo dveří bez správného nastavení úhlu vyhazování sněhu. Všechny přihlízející, zvláště děti a zvířata udržujte mimo pracovní oblasti.
- Nikdy nepokládejte zařízení, u kterého běží

motor, na jakýkoliv povrch, kromě tvrdého čistého povrchu. Přívodem vzduchu lze nabrat štěrky, písek a jiné nečistoty, které mohou být odmrštěny na obsluhu nebo okolostojící osoby, a ty mohou být vážně zraněny.

- Nepřetěžujte kapacitu stroje odklizením sněhu příliš vysokou rychlostí.
- Stroj používejte na dobře osvětleném místě a dávejte pozor na překážky či nebezpečí osvětlené světlometry stroje.
- Zařízení nepoužívejte, hrozí-li nebezpečíblesku.
- Vždy udržujte výstupní otvory čisté. Do otvorů nestrkejte žádné předměty.
- Nepracujte s tímto strojem ve výbušných prostředích, například v přítomnosti hořlavých kapalin, plynů nebo prachu.
- Udržujte bezpečné postavení a rovnováhu. Nepřeceňujte se. Přeceňování může způsobit ztrátu rovnováhy.
- Vždy na svazích zabezpečte své pevné postavení a chodte, neběhejte.
- Nástroj nijak neupravujte nebo nepoužívejte příslušenství, jež nejsou doporučena výrobcem.
- Nikdy se nepokoušejte provádět žádné úpravy, když je motor v chodu, není-li výslovně doporučené výrobcem.

▲ VAROVÁNÍ

Pokud začne po pádu, silných nárazech nástroj nenormálně vibrovat, zastavte nástroj a ihned zjistěte příčinu vibrací a rozsah škod. Pokud je nějaká část poškozena, musí se nechat řádně opravit nebo vyměnit pověřeným servisním střediskem.

- Chcete-li snížit riziko zranění spojené s kontaktem s rotujícími díly, vždy zařízení zastavte, vyjměte akumulátor a ujistěte se, že se všechny pohyblivé části zastavily:
 - před čištěním nebo odstraněním ucpávky,
 - je-li ponechán výrobek bez dozoru
 - před kontrolou, čištěním nebo prací na nástroji,
 - po nárazu cizího předmětu; prohlédněte výrobek na poškození
 - pokud stroj začne abnormálně vibrovat

(ihned zkontrolujte)

TIPY TÝKAJÍCÍ SE PROVOZU

- Zařízení nebude fungovat, pokud horní rukojeť není správně nasazená a zámek rukojeti není bezpečně sepnutý. K dispozici jsou dvě bezpečnostní západky, které vám pomohou zabránit v náhodném spuštění, pokud stroj není správně sestaven.
- Před spuštěním stroje berte v úvahu směr větru. Vyhazujte sníh ve stejném směru jako vítr, aby se vám sníh po vymrštění nevrátil zpět do obličeje.
- Po dokončení práce nechte motor běžet dalších několik minut, pak několikrát otočte páčkou pro otáčení odhozu tam a zpět, aby se z odhozu odstranil zbývající sníh.

TRANSPORT A SKLADOVÁNÍ

- Před skladováním a transportem vyndejte akumulátor nechejte přístroj vždy vychladnout.
- Odstraňte z výrobku všechny cizí materiál. Ukládejte v chladných, suchých a dobře větraných prostorech, které nejsou přístupné dětem. Nářadí neuskladňujte v blízkosti žíravých látek, jako například v blízkosti zahrádkářských nebo zahradnických chemických přípravků nebo soli na zimní sypaní komunikací. Neskladujte mimo budovu.
- Při transportu nástroj zajistěte proti pohybům nebo pádu, abyste zabránili poranění osob nebo poškození stroje.

ÚDRŽBA

▲ VAROVÁNÍ

Používejte pouze originální příslušenství, doplňky a náhradní díly výrobce. Zanedbání může zapříčinit možné poranění, slabý výkon a může dojít ke ztrátě záruky.

▲ VAROVÁNÍ

Údržba vyžaduje extrémní péči a znalosti a měla by být prováděna pouze kvalifikovaným servisním technikem. Předějte zařízení do autorizovaného servisního střediska. Pokud opravujete, používejte pouze stejné náhradní díly.

- Můžete provádět v návodu k obsluze uvedené opravy a seřízení. Další opravy se smí provádět pouze u pověřených servisních prodejců.
- Po každém použití setřete nástroj měkkým a suchým hadříkem.
- Zkontrolujte všechny šrouby, matice v častých intervalech na řádné utažení, aby se zajistilo, že výrobek bude pracovat v bezpečných pracovních podmínkách. Jakýkoliv poškozený díl je nutné správně opravit nebo nechat vyměnit v autorizovaném servisním středisku.

ČIŠTĚNÍ UCPÁNÍ/BLOKACÍ

▲ VAROVÁNÍ

Nikdy nedávejte ruce ani nohy do přední části zařízení nebo výsypky, aby nedošlo k vážným zraněním.

- Uvolněte spoušť a vyjměte akumulátorovou sadu.
- Ujistěte se, že se zastavily všechny pohyblivé díly:
- K odstranění ucpání použijte dřevěnou tyč.
- Sestavu oběžného kola otočte pomocí dřevěné tyče.
- Dávejte pozor, neboť oběžné kolo se může samovolně pohybovat v důsledku naakumulované energie v mechanismu po odstranění zablokování.
- Jakmile lze oběžným kolem otočit pomocí dřevěné tyče, posuňte se k zadní části zařízení.
 - Je zcela normální, že mechanismus oběžného kola má krokový pohyb.
- Ujistěte se, že je bezpečné pokračovat v odklizení sněhu.
- Nainstalujte akumulátorovou sadu. Zařízení zapněte.

ZBYTKOVÁ RIZIKA

Dokonce, i když se zařízení provozuje jak je předepsáno, je stále nemožné zcela eliminovat veškeré zbytkové rizikové faktory. Následující nebezpečí mohou nastat při používání; vyhýbejte se:

- Zranění způsobené hlukem
 - Noste ochranu sluchu a omezte

vystavení.

- Ke zranění může dojít od předmětů odletujících nahoru a dopředu od otáčejícího se oběžného kola v přední části stroje nebo z odhozu sněhu.
 - Vždy noste adekvátní ochranu zraku.

POZNEJTE SVŮJ NÁSTROJ

Viz strana 133.

1. Horní rukojeť
2. Spoušť On/Off (Zapnuto/Vypnuto)
3. Tlačítko blokování spouště
4. Řídící kabel motoru
5. Páčka pro otočení odhozu
6. Zámek rukojeti
7. Rukojeť pro otočení odhozu
8. Rukojeť deflektoru odhozu
9. Deflektor odhozu
10. Indikátory LED
11. Oběžné kolo
12. Střední rukojeť
13. Seřizovací tlačítko rukojeti
14. Spodní rukojeť
15. Přenosná/Zvedací rukojeť
16. Prostor pro uložení baterie
17. Prostor pro používanou baterii
18. Baterie
19. Nabíječka akumulátorů

SYMBOLY NA VÝROBKU



Řádně si návod přečtěte, porozumějte veškerým pokynům a dodržujte všechny bezpečnostní pokyny a bezpečnostní varování.



Dávejte pozor na odmrštěné nebo odletující předměty. Všechny přihlízející, zvláště děti a zvířata udržujte ve vzdálenosti alespoň 15 m od pracovní oblasti.



Noste ochranu očí



NEBEZPEČÍ! Vyhněte se zranění otáčejícím oběžným kolem. Udržujte ruce, nohy a oděv v bezpečné vzdálenosti.



NEBEZPEČÍ! Vyměňte baterii a před odstraňováním zablokování si přečtěte pokyny v návodu. Udržujte ruce a nohy v dostatečné vzdálenosti od přední části stroje a výsypného žlabu.



Odpad elektrických výrobků se nesmí likvidovat v domovním odpadu. Recyklujte prosím na sběrných místech. Ptejte se u místních úřadů nebo prodejce na postup při recyklaci.



Toto nářadí je v souladu se všemi normami a předpisy platnými v zemi EU, ve které bylo zakoupeno.



Euroasijská značka shody



Ukrajinská značka shody



Zaručená hladina akustického výkonu je 86 dB.



Zatlačte a podržte



Uvedení do provozu stisknutím a podržením



Prostor pro uložení baterie



Prostor pro používanou baterii

⚠ NEBEZPEČÍ

Označuje bezprostředně rizikovou situaci, které je třeba předejít, jinak bude jejím následkem smrt nebo vážné zranění.

⚠ VAROVÁNÍ

Označuje možnou rizikovou situaci, které je třeba předejít, jinak jejím následkem může být smrt nebo vážné zranění.

⚠ VAROVÁNÍ

Označuje možnou rizikovou situaci, které je třeba předejít, jinak jejím následkem může být smrt nebo vážné zranění.

VAROVÁNÍ

Bez symbolu bezpečnostní výstrahy
Určuje situaci, která může mít za následek vážné poškození.

SYMBOLY V NÁVODU



Díly nebo příslušenství jsou v prodeji samostatně



Poznámka



Varování



Zamknuto



Odemknuto

Následující signální slova a významy jsou vhodné pro vysvětlení úrovní nebezpečí spojených s tímto výrobkem.



Az akkumulátoros hómáró kifejlesztésekor a biztonságot, a teljesítményt és a megbízhatóságot tartottuk szem előtt.

RENDELTETTÉSSZERŰ HASZNÁLAT

Az akkumulátoros hómáró csak szabad térben, jól megvilágított területen való használatra alkalmas, úgy, hogy egy kezelő a termék mögött lépked. Az akkumulátoros hómáró csak felnőttek használhatják, akik elolvasták és megértették a kézikönyvben lévő utasításokat és figyelmeztetéseket, és felelősnek lehet őket tekinteni a tetteikért. Biztonsági okokból a terméket mindig kétkézes műveletekkel kell irányítani.

A termék hó eltakarítására használható bizonyos területeken, mint járdák, felhajtók, ösvények, utak, közutak, valamint a ház körül. A termék legfeljebb 25 cm-es havat képes mozgatni.

A termék nem működtethető, ha a kerekek nincsenek a talajon. Tilos ráülni. A termék csak a kézikönyvben meghatározott célra használható, és nem használható semmilyen más célra.

ÁLTALÁNOS BIZTONSÁGI ELŐÍRÁSOK

▲ FIGYELMEZTETÉS

A termék használatakor a biztonsági szabályokat be kell tartani. A saját és mások biztonsága érdekében kérjük, olvassa el ezt az útmutatót a termék használata előtt. Tartsa meg a kézikönyvet, hátha a későbbiekben szüksége lehet rá.

▲ FIGYELMEZTETÉS

A terméket csak akkumulátorról kell működtetni. Akkumulátoros gépek használatakor a tűz, az akkumulátor szivárgása és a személyi sérülés veszélyének csökkentése érdekében mindig be kell tartani az alapvető biztonsági óvintézkedéseket.

GYAKORLÁS

- Olvassa el és értse meg az utasításokat és a biztonsági figyelmeztetéseket. Legyen tisztában a termék kezelőszerveivel és helyes használatával.
- Ne hagyja, hogy gyerekek vagy

csökkent fizikai, érzékelési vagy értelmi képességgel rendelkező személyek, vagy az utasításokat nem ismerő személyek működtessék, tisztítsák vagy karbantartsák a terméket. A helyi előírások korlátozhatják a kezelő életkorát. A gyerekekre oda kell figyelni, nehogy játsszanak a termékkel.

- Jegyezze meg, hogy a kezelő vagy a felhasználó felelős a más embereknek vagy tulajdonuknak okozott veszélyekért vagy balesetekért.
- A nézelődőket, gyerekeket és a háziállatokat tartsa 15m távolságban a munkaterülettől. Állítsa le a terméket, ha bárki belép a területre.
- Soha ne használja a terméket, ha fáradt, beteg, alkohol, tudatmódosítók, illetve gyógyszerek hatása alatt áll.
- Legyünk elővigyázatosak a megcsúszás elkerülése végett, vagy csökken, különösen amikor fordított.

ELŐKÉSZÜLET

- Alaposan vizsgálja át a területet, ahol a gépet használni szeretné, és távolítsa el minden lábtörlőt, szánkót, táblát, vezetőket és más idegen tárgyat.
- A gép működtetése közben mindig viseljen megfelelő téli ruházatot és csúszásmentes biztonsági lábbelit. Kerülje a bő ruha viseletét, vagy amelyből zsinórok vagy madzagok lógnak ki; beakadhatnak a mozgó részekbe.
- Ha hosszú a haja, azt a vállvonal felett rögzítse, nehogy beakadjon valamilyen mozgó alkatrészbe.
- A termék használata közben mindig viseljen teljes szemvédőt. A gyártó kifejezetten javasolja a teljes arcmaszk vagy teljesen zárt védőszemüveg használatát. A normál szemüveg vagy a napszemüveg nem nyújtanak megfelelő védelmet. A termék nagy sebességgel röpíthet ki tárgyakat, amelyek a kemény felületekről visszapatlanhatnak a kezelő felé. Az egyes környezetekben pormaszk, védősisak vagy fülvédő használatára lehet szükség.
- Minden használat előtt ellenőrizze, hogy az összes kezelőszerv és biztonsági eszköz megfelelően működik. Ne használja a gépet, ha a főkapcsoló nem állítja le a motort.





- Minden használat előtt vizsgálja meg vizuálisan a terméket, hogy a burkolat sérülésmentes és a védőburkolatok és a fogantyúk a helyükön vannak és megfelelően rögzítettek.
- A sérült vagy olvashatatlan címkék cseréjéhez vigye vissza a terméket egy hivatalos szervizközpontba.
- Hagyja, hogy a gép felvegye a külső hőmérsékletet, mielőtt elkezdene eltakarítani a havat.

AKKUMULÁTOROS SZERSZÁMGÉP HASZNÁLATA ÉS KARBANTARTÁSA

- Olvassa el, érte meg és mindig tartsa be az akkumulátorhoz és a töltőhöz mellékelt biztonsági előírásokat. Ennek elmulasztása áramütést, tüzet vagy más veszélyes szituációkat eredményezhet. A jövőbeni felhasználásra az összes útmutatót tartsa együtt, biztonságos helyen.
- Az akkumulátoros szerszámokat nem kell az elektromos hálózathoz csatlakoztatni, így mindig készen állnak a használatra. Bármilyen beállítás, tisztítás vagy anyag gépből történő eltávolítás előtt vegye ki az akkumulátort a gépből.
- Az akkumulátort csak a gyártó által meghatározott töltővel töltsse fel. Töltő használata nem kompatibilis akkumulátorral akár tűzveszélyt is okozhat. Csak az útmutatóban felsorolt töltőt használja.
- A géphez csak a hozzá való akkumulátort használja. Más akkumulátorok használata tűzveszélyt, áramütést vagy személyi sérüléseket eredményezhet.
- Az akkumulátort használaton kívül tartsa távol más fém tárgyaktól, úgymint gemkapcsoktól, érméktől, kulcsoktól, szögektől, csavaroktól vagy más kisméretű fém tárgyaktól, amelyek rövidre zárhatják a két érintkezőt. Az akkumulátor érintkezőinek rövidre zárása szikrákat, tüzet, égéseket vagy robbanást okozhat.
- Az akkumulátoros termékeket vagy az akkumulátort ne tegye tűz vagy hőforrás közelébe. Ezzel csökkenti a robbanás és az esetleges sérülés kockázatát.
- Ne nyissa fel és ne módosítsa az akkumulátort. A kifolyt elektroлит korrodáló, és a szem vagy a bőr sérülését okozhatja. Belélegzéskor mérgező lehet.

- Óvja az akkumulátort a nedvességtől és a víztől. Az akkumulátoros szerszámot ne töltsse nedves vagy vizes helyeken. Ezen előírás betartása jelentősen csökkenti a tűz-, az áramütés- és a testi sérüléssel járó balesetek veszélyét.
- Az akkumulátor károsodásakor és helytelen használata esetén gőz szabadulhat ki. Biztosítson friss levegőt, és panasz esetén forduljon orvoshoz. A gőz irritálhatja a légzőrendszert.
- Nem ajánlott az akkumulátort meleg vagy hideg környezeti feltételek esetén járműben hagyni.
- A LÍTIUM-ION akkumulátor akár -20 °C-os hőmérsékletig is használható. Helyezze az akkumulátort a termékbe, és a terméket kis terhelésen használja. Körülbelül egy perc elteltével az akkumulátor felmelegszik, és szerszám normálisan használható.
- Ne égesse el az akkumulátort. Amikor az akkumulátor élettartamának végére ért, megfelelően, a helyi előírások szerint semmisítse meg.
- Nem megfelelő körülmények esetén folyadék távozhat az akkumulátorból, kerülje az azzal való érintkezést. Ha mégis érintkezik vele, öblítse le vízzel. Ha a folyadék szembe kerül, forduljon orvoshoz. Az akkumulátorból kifolyt folyadék irritációt vagy égéseket okozhat.

AKKUMULÁTOROS HÓMARÓ BIZTONSÁGI ELŐÍRÁSOK

- Ne helyezze kezét vagy lábát a forgó részek alá vagy közelébe.
- Az egység működtetésekor legyen mindig éber, figyeljen arra, amit csinál és használja a józan esztét. A termékek használata közben már egyetlen figyelmetlen pillanat is súlyos személyi sérüléshez vezethet.
- Figyeljen különösen oda, ha kavicsos felhajtókon, járdákon vagy utakon dolgozik vagy halad át a géppel. Készüljön fel a rejtett veszélyekre vagy forgalomra.
- Soha ne használja a gépet a nagy szállítási sebességet csúszós felületeken. Legyen óvatos, amikor tolatás.
- Ne irányítsa a kilövődő havat a nézelődőkre, illetve ne hagyja, hogy bárki a gép előtt álljon.
- Ne takarítsa a havat a lejtőkön keresztben.





A leejtőn való irányváltás közben legyen különösen óvatos. Ne próbálja eltakarítani a havat meredek lejtőkön.

- Soha ne működtesse a terméket megfelelő védőburkolatok, védőlemezek nélkül, illetve a biztonsági berendezések a helyükre felhelyezése nélkül.
- Ne működtesse a terméket üveg burkolatok, gépjárművek, ablakok vagy ajtók közelében a hó kidobási szögének megfelelő beállítása nélkül. A nézelődők, különösen a gyerekek és a háziállatok, legyenek távol a használati területtől.
- Ne helyezze a terméket semmilyen felületre, kivéve a kemény, tiszta felületet, amikor a motor működik. A légbemenet felszedhet kavicsot, homokot és egyéb törmeléket, és ez eldobódhat a kezelő vagy a nézelődők felé, ami súlyos sérüléseket okozhat.
- Ne terhelje túl a gépet azzal, hogy túl gyorsan próbálja meg eltakarítani a havat.
- A gépet jól megvilágított területen használja, és ügyeljen a gép fényszórói által megvilágított akadályokra és veszélyekre.
- Ne használja a terméket, ha villámlás veszélye áll fenn.
- A kiürítő nyílás legyen mindig akadálymentes. Ne tegyen semmilyen tárgyat a nyílásokba.
- A gépet ne működtesse robbanásveszélyes környezetben, például robbanásveszélyes folyadékok, gázok vagy porok jelenlétében.
- Stabílan álljon és vegyen fel megfelelő egyensúlyt. Ne hajoljon ki túlságosan. A túlzott kihajlás egyensúlyvesztést eredményezhet.
- Mindig biztosan támaszkodjon meg a lejtőkön, és sétáljon, ne szaladjon.
- Semmilyen módon ne módosítsa a gépet vagy használjon a gyártó által nem ajánlott alkatrészeket és tartozékokat.
- Soha ne próbáljon meg semmiféle beállítást, miközben a motor jár, kivéve, ha erről kifejezetten ajánlott a gyártó.

▲ FIGYELMEZTETÉS

Ha a gép leesett, erős ütést kapott vagy rendellenesen kezd vibrálni, azonnal állítsa le a gépet, és vizsgálja át sérülések tekintetében vagy azonosítsa a vibráció okát. Minden sérülést hivatalos szervizközpontban kell megjavíttatni vagy kicseréltetni.

- A forgó alkatrészekkel való érintkezés okozta sérülések veszélyének csökkentése érdekében mindig állítsa le a gépet, vegye ki az akkumulátort, és ellenőrizze, hogy minden mozgó rész megállt:
 - tisztítás vagy eltömődés megszüntetése előtt
 - a termék felügyelet nélkül hagyása esetén
 - ellenőrzés, karbantartás vagy a gépen végzett bármilyen művelet megkezdése előtt
 - egy idegen tárgy eltalálása után sérülés tekintetében vizsgálja át a terméket
 - ha a gép szokatlanul kezd rezegni (ellenőrizze azonnal).

TIPPEK A HASZNÁLATHOZ

- A termék nem fog működni, ha a felső fogantyú nem megfelelően van felszerelve és a fogantyút reteszelő kapocs nincs biztonságosan rögzítve. Két biztonsági retesz található, amelyek segítenek megakadályozni a gép véletlenszerű elindítását, ha a gép rosszul lett összeszerelve.
- A gép működtetése előtt vegye figyelembe a szél irányát. A havat a szél irányába őrítse, hogy elkerülje a hó visszafújását az arcába.
- Amikor befejezte a munkát, néhány percig hagyja járni a motort, majd fordítsa vissza és előre néhányszor a csúszda forgatókarját, hogy eltávolítsa a maradék havat a csúszdából.

SZÁLLÍTÁS ÉS TÁROLÁS

- Szállítás és tárolás előtt állítsa le a gépet, vegye ki az akkumulátort és hagyja lehűlni a gépet.
- Minden idegen anyagtól tisztítsa meg a terméket. Hűvös, száraz és jól szellőztetett, gyerekektől elzárt helyiségben tárolja. Ne

EN
FR
DE
ES
IT
NL
PT
DA
SV
FI
NO
RU
PL
CS
HU
RO
LV
LT
ET
HR
SL
SK
BG
UK



tárolja olyan oxidálószeres közelében, mint pl. kerti munkáknál használatos vegyszerek vagy jégmentesítő sók. Ne tárolja a szabadban.

- Szállításkor rögzítse a gépet elmozdulás és leesés ellen, hogy elkerülje a sérüléseket és az anyagi kárt.

KARBANTARTÁS

▲ FIGYELMEZTETÉS

Csak a gyártó eredeti cserealkatrészeit, tartozékait és szereléseit használja. Ennek figyelmen kívül hagyása gyenge motorteljesítményt, esetleges sérülést és a jótállás elvesztését okozhatja.

▲ FIGYELMEZTETÉS

szervizelés különös figyelmet és hozzáértést igényel, és csak szakképzett szerelő végezheti el. Vigye vissza a terméket egy hivatalos szervizközpontba. Szervizeléskor csak azonos cserealkatrészeket használjon.

- A használati útmutatóban leírt beállításokat és javításokat Ön is elvégezheti. Az egyéb javításokhoz vegye fel a kapcsolatot a hivatalos szervizzel.
- Minden egyes használat után egy puha, száraz ruhával tisztítsa meg a terméket.
- Gyakori időközönként ellenőrizze a csavaranyák, csavarok és fejescsavarok megfelelő meghúzását, hogy a termék biztonságos üzemi állapotban legyen. A sérült alkatrészeket egy hivatalos szervizközpontban kell megjavíttatni vagy kicseréltetni.

AZ ELTÖMÖDÉSEK MEGSZÜNTETÉSE

▲ FIGYELMEZTETÉS

A súlyos sérülések elkerülése érdekében ne tegye a kezét vagy a lábát a termék vagy a kidobócsúszda elé.

- Engedje fel a kioldót, és vegye ki az akkumulátort.
- Ellenőrizze, hogy minden mozgó rész teljesen megállt.
- Egy fa rúddal szüntesse meg az eltömődést.

- A fa rúddal forgassa el a propeller szerelvényt.
- Legyen óvatos, mert a propeller az eltömődés megszüntetése közben a mechanizmusban eltárolt energia miatt magától is elfordulhat.
- Amint a propellert el lehet forgatni a fa rúddal, mozgassa azt a termék hátulja felé.
 - Nem jelent meghibásodást, ha a propeller mechanizmus akadozva mozog.
- Ellenőrizze, hogy a működés biztonságos a további hőeltakarításhoz.
- Helyezze be az akkumulátort. Kapcsolja be a terméket.

FENNMARADÓ KOCKÁZAT

Még a gép rendeltetésszerű használata esetén sem lehet teljesen kiküszöbölni minden kockázati tényezőt. A gép használata során a következő veszélyek merülhetnek fel, és a kezelőnek különösen oda kell figyelnie az alábbiak elkerülésére:

- Zaj okozta sérülések
 - Viseljen hallásvédőt és korlátozza a zajnak való kitettséget.
- A gép elején a forgó propellerből vagy a kidobócsúszdából fel- és előredobott repülő tárgyak okozta sérülés.
 - Mindig viseljen megfelelő szemvédőt.

ISMERJE MEG A TERMÉKET

Lásd 133. oldal.

1. Felső fogantyú
2. Be/ki ravasz
3. Kioldó kireteszelő gomb
4. Motor vezérlőkábele
5. Csúszda forgatókar
6. Fogantyú reteszelőkapocs
7. Csúszda forgótengely
8. Csúszda terelőfogantyú
9. Csúszda terelő
10. LED lámpák
11. Propeller
12. Köztes fogantyú
13. Fogantyúbeállító gomb
14. Alsó fogantyú
15. Hordozó-/emelőfogantyú
16. Tároló akkumulátortartó
17. Használat közbeni akkumulátortartó
18. Akkumulátor
19. Akkumulátortöltő

SZIMBÓLUMOK A TERMÉKEN



A termék használata előtt olvassa el és értse meg a kezelési útmutatóban leírtakat, és tartsa be az összes figyelmeztető és biztonsági utasítást.



Figyeljen a kivetett vagy repülő tárgyakra. Az összes nézelődő, különösen a gyerekek és a háziállatok, legyenek legalább 15 m-es távolságra a használati területtől.



Viseljen védőszemüveget



VESZÉLY! Kerülje a forgó propeller okozta sérüléseket. Tartsa távol attól a kezét, a lábát és a ruházatát.



VESZÉLY! Az eltömődés megszüntetése előtt vegye ki az akkumulátort és olvassa el az utasításokat a kézikönyvben. A kezét és a lábát tartsa megfelelően távol a gép elejétől és a kidobócsúszdától.

A kiselejtezett elektromos termékeket nem szabad a háztartási hulladékkal együtt kidobni. Ezeket újra kell hasznosítani, ha van rá lehetőség. Az újrahasznosítással kapcsolatban érdeklődjön a helyi önkormányzatnál vagy a termék forgalmazójánál.

Ez a szerszám minden, a vásárlás európai uniós országában hatályos szabványnak megfelel.



Eurázsiai megfelelőségi jelzés



Ukrainai megfelelőségi nyilatkozat



A garantált hangteljesítményszint 86 dB.



Hosszan nyomja meg



Húzza be és tartsa a működtetéshez



Tároló akkumulátortartó



Használat közbeni akkumulátortartó

A következő jelölőszavak és jelölések arra szolgálnak, hogy megmagyarázzák a termékkel kapcsolatos veszélyességi szinteket:

⚠ **VESZÉLY**

Egy bekövetkező veszélyes helyzetet jelez, ami, ha nem előzik meg, halált vagy komoly sérülést eredményez.

⚠ **FIGYELMEZTETÉS**

Egy potenciálisan bekövetkező veszélyes helyzetet jelez, amit, ha nem előznek meg, halált vagy komoly sérülést eredményezhet.

⚠ **FIGYELEMFLHÍVÁS**

Egy potenciálisan veszélyes helyzetet jelez, ami, ha nem előzik meg, kisebb vagy mérsékelt sérülést eredményezhet.

FIGYELEMFLHÍVÁS

Biztonsági figyelmeztető szimbólum nélkül Egy olyan helyzetet jelez, ami anyagi kárt eredményezhet.

A KÉZIKÖNYVBEN HASZNÁLT SZIMBÓLUMOK



Külön értékesített alkatrészek és kiegészítők



Megjegyzés



Figyelem



Retesz



Szétnyitás

Au fost acordate priorități maxime asupra siguranței, performanței și fiabilității în proiectarea frezei dvs. de zăpadă fără cablu electric.

UTILIZARE PREVĂZUTĂ

Freza de zăpadă fără cablu electric este destinată doar pentru folosirea în exterior în zone bine luminate de către un operator stând în picioare și pășind în spatele produsului. Această freza de zăpadă fără cablu electric este destinată a fi folosită doar de adulții care au citit și înțeles instrucțiunile și avertizările din acest manual și pot fi considerați responsabili pentru acțiunile lor. Pentru motive de siguranță, acest produs trebuie să fie controlat adecvat prin folosirea tot timpul a operațiunilor cu ambele mâini.

Produsul este proiectat pentru curățarea zăpezii în zone precum alei, trotuare, cărări, pasaje, drumuri și în jurul caselor. Produsul poate să elibereze zăpadă la o adâncime de maxim 25 cm.

Produsul nu trebuie niciodată operat cu roțile desprinse de sol. Nu puteți să vă suiți pe el. Produsul trebuie să fie folosit așa cum este descris în acest manual și nu trebuie folosit pentru alte scopuri.

INSTRUCȚIUNI GENERALE DE SIGURANȚĂ

⚠ AVERTISMENT

Atunci când utilizează produsul, normele de siguranță trebuie să fie respectate. Pentru siguranța dumneavoastră și a trecătorilor, vă rugăm să citiți aceste instrucțiuni înainte de utilizarea produsului. Vă rugăm să păstrați instrucțiunile într-un loc sigur pentru utilizare ulterioară.

⚠ AVERTISMENT

Produsul trebuie operat doar cu acumulatorul montat. Atunci când se utilizează mașina cu acumulator, măsurile de precauție de bază ar trebui să fie întotdeauna respectate pentru a reduce riscul de incendiu, de scurgere a bateriilor și de vătămare corporală.

INSTRUIRE

■ Citiți și înțelegeți instrucțiunile și avertizările de siguranță. Familiarizați-vă cu comenzile

și folosirea corectă a produsului.

- Nu permiteți niciodată copiilor sau persoanelor cu capacități fizice, senzoriale sau mintale reduse, sau cele nefamiliare cu aceste instrucțiuni, să opereze, curețe sau să efectueze întreținerea produsului. Reglementările locale pot restricționa vârsta operatorului. Copiii trebuie să fie supravegheați adecvat pentru a vă asigura că nu se joacă cu produsul.
- Rețineți că operatorul sau utilizatorul este responsabil pentru accidente sau pericolele ce pot avea loc asupra altor persoane sau proprietății lor.
- Țineți trecătorii, copiii și animalele de companie la 15 metri depărtare de zona de operare. Opriti produsul dacă cineva intră în zonă.
- Nu folosiți niciodată produsul când sunteți obosit, bolnav sau sub influența alcoolului, drogurilor sau medicamentelor.
- Prudență, pentru a evita alunecarea sau căderea, mai ales atunci când funcționează în sens invers.

PREGĂTIRE

- Inspectați complet zona unde mașina este folosită și îndepărtați toate preșurile, săniile, plăcile, firele și toate obiectele străine.
- În timpul operării mașinii purtați întotdeauna îmbrăcăminte de iarnă adecvată și încălțăminte de protecție nealunecoasă. Evitați purtarea de haine largi sau care au cordoane sau șireturi etc; ele pot fi prinse în părțile în mișcare ale aparatului.
- Prindeți părul lung deasupra umerilor pentru a preveni prinderea lui de părțile în mișcare.
- Purtați protecție completă pentru ochi tot timpul când operați acest produs. Producătorul recomandă cu hotărâre folosirea unei măști complete pentru față sau ochelari de protecție cu apărători laterale. Ochelarii normali sau cei de soare nu reprezintă o protecție corespunzătoare. Obiecte pot fi aruncate cu viteză mare și pot să ricoșeze de pe suprafețe dure înspre operator. Maska împotriva prafului, casca de protecție și protecție pentru auz trebuie să fie folosite în condiții corespunzătoare.
- Asigurați-vă că înainte de fiecare folosire toate funcțiile de control și dispozitivele de

siguranță funcționează corect. Nu folosiți produsul dacă întrerupătorul "oprit" nu oprește produsul.

- Înainte de fiecare folosire, inspectați întotdeauna vizual pentru a vedea dacă carcasa nu este deteriorată și că apărătorile și mânerul sunt la locul lor și prinse corespunzător.
- Duceți produsul la un centru service autorizat pentru a înlocui etichetele deteriorate sau ilizibile.
- Lăsați mașina să se regleze la temperatura exterioară înainte de a începe curățarea zăpezii.

FOLOSIREA ȘI ÎNTREȚINEREA MAȘINII CU ACUMULATOR

- Citiți, înțelegeți și urmați întotdeauna instrucțiunile de siguranță ce vin împreună cu acumulatorul și încărcătorul. Neurmarea instrucțiunilor poate rezulta în electrocutare, incendiu sau situații periculoase. Păstrați toate instrucțiunile împreună într-un loc sigur pentru o consultare ulterioară.
- Unelele cu acumulator nu trebuie conectate la o sursă de curent; de aceea, acestea sunt permanent în stare de funcționare. Scoateți acumulatorul înainte de a face orice ajustări, de curățare sau de eliminarea materialului din unitate.
- Un acumulator trebuie să fie reîncărcat numai cu încărcătorul specificat de producător. Utilizarea unui încărcător cu acumulator incompatibil poate crea un risc de incendiu. Folosiți doar încărcătoare listate în instrucțiuni.
- Folosiți doar acumulatorul destinat în mod special pentru mașină. Utilizarea unui alt acumulator poate produce un risc de incendiu, de electrocutare sau de vătămare a persoanelor.
- Atunci când acumulatorul nu este în uz, păstrați-l departe de alte obiecte metalice, cum ar fi agrafe de birou, monede, chei, cuie, șuruburi sau alte obiecte metalice mici, care pot face o conexiune de la o bornă la alta. Scurtcircuitarea terminalelor acumulatorului ar putea cauza scântei, arsuri, incendiu sau explozie.
- Nu lăsați produsele cu acumulatori sau acumulatorii acestora în apropierea focului sau a surselor de căldură. Aceasta crește riscul de explozie și posibila vătămare.

- Nu deschideți sau distrugeți bateria. Electrolitul eliberat este coroziv și poate cauza vătămarea ochilor sau a pielii. Poate fi toxic dacă este înghițit.
- Protejați acumulatorul împotriva umezelii și a apei. Nu încărcați unealta pe bază de acumulator în condiții de umezeală. Reduceți astfel riscurile de incendiu, de electrocutare și de răniri corporale.
- În caz de deteriorare și de folosire inadecvată a acumulatorului, pot fi emiși vapori. Respirați aer proaspăt și consultați medicul în caz de dureri. Vaporii pot irita sistemul respirator.
- Nu lăsați acumulatorul în interiorul unui vehicul în condiții de căldură sau frig.
- Acumulatorul LITIU-ION poate fi folosit la temperaturi de până la -20°C Puneți acumulatorul în produs și folosiți produsul pentru aplicații lejere. După aproximativ un minut, acumulatorul se va încălzi și veți putea opera normal.
- Nu aruncați acumulatorul în foc. Când acumulatorul este peste perioada sa de funcționare, eliminați-l corect în conformitate cu reglementările locale din zona dvs.
- Ca urmare a folosirii necorespunzătoare, din acumulator se poate scurge lichid; evitați contactul cu acesta. În cazul unui contact accidental, spălați cu apă. În cazul contactului cu ochii, consultați suplimentar un medicul. Lichidul care iese din acumulator poate provoca iritații sau arsuri.

REGLEMENTĂRI DE SIGURANȚĂ ALE FREZEI DE ZĂPADĂ FĂRĂ CABLU ELECTRIC.

- Nu puneți mâinile sau picioarele în apropierea sau sub piesele în rotație.
- Fiți vigilenți, fiți atenți la ceea ce faceți, acționați cu simț practic când operați unitatea. Un moment de neatenție în timpul operării produsului poate rezulta în vătămare personală gravă.
- Exerțiți atenție extremă când operați sau când treceți peste alei, cărări sau drumuri cu pietriș. Fiți atent la pericolele ascunse sau trafic.
- Nu utilizați niciodată mașina la viteze mari de transport pe suprafețe alunecoase. Fiți atenți atunci când mers înapoi.



- Nu curățați niciodată în fața trecătorilor sau să lăsați pe cineva în fața produsului.
- Nu curățați zăpada de-a lungul pantelor. Acordați atenție maximă atunci când schimbați direcția pe pantă. Nu încercați să curățați pante abrupte.
- Nu operați niciodată produsul fără apărătorile, plăcile corespunzătoare sau alte dispozitive protective de siguranță montate la locul lor.
- Nu operați niciodată produsul lângă împrejmuiri din sticlă, automobile, ferestre sau intrări fără reglarea corespunzătoare a unghiului de direcționare a zăpezii. Țineți toate persoanele departe de zona de operare, în special copiii și animalele de companie.
- Nu așezați niciodată produsul pe nicio suprafață, cu excepția unei suprafețe dure, atunci când motorul funcționează. Pietrișul, nisipul și alte resturi pot fi prinse de admisia de aer și aruncate înspre operator sau trecători, provocând posibile vătămări grave.
- Nu suprasolicitați capacitatea mașinii prin încercarea de curățare a zăpezii la un ritm prea rapid.
- Folosiți mașina în zonă bine luminată și fiți atent la obstacole sau pericolele luminate de farurile mașinii.
- Nu folosiți produsul când există risc de fulgere.
- Mențineți libere deschizăturile de golore tot timpul. Nu puneți niciun obiect în deschizături.
- Nu operați mașina în atmosfere explozive, precum în prezența lichidelor, gazelor sau a prafului inflamabil.
- Mențineți sprijin ferm pe picioare și echilibru. Nu vă aplecați excesiv. Aplecarea excesivă poate cauza pierderea echilibrului.
- Asigurați-vă întotdeauna o poziție fermă a picioarelor pe pante, și mergeți întotdeauna, nu fugiți
- Nu modificați mașina în niciun fel sau să folosiți părți și accesorii ce nu sunt recomandate de către producător.
- Nu încercați niciodată să facă orice modificări în timp ce motorul este pornit, cu excepția cazului în mod special recomandat de către producătorul.

⚠ AVERTISMENT

Dacă produsul este scăpat, suferă un impact dur sau începe să vibreze anormal, opriți imediat produsul și inspectați dacă este deteriorat sau identificați cauza vibrației. Orice deteriorare trebuie reparată corespunzător sau înlocuită la un centru service autorizat.

- Pentru a reduce riscul asociat cu contactul cu părțile în mișcare, opriți întotdeauna produsul, scoateți acumulatorul și asigurați-vă că toate părțile în mișcare s-au oprit:
 - înaintea curățării sau deblocării înfundării
 - când lăsați produsul nesupravegheat
 - înaintea verificării, efectuării întreținerii sau utilizării produsului
 - după lovirea unui obiect străin să inspectați produsul să nu fie deteriorat.
 - dacă produsul începe să vibreze anormal (verificați imediat)

SFATURI PRIVIND OPERAREA

- Produsul nu va funcționa dacă mânerul superior nu este corespunzător potrivit și cleva de blocare a mânerului nu este fix potrivit. Există două interblocări de siguranță pentru a preveni pornirea accidentală atunci când mașina nu este corect asamblată.
- Rețineți direcția vântului înainte de a opera mașina. Direcționați zăpada în aceeași direcție cu cea a vântului pentru a preveni ca zăpada să fie aruncată pe fața dvs.
- Atunci când ați finalizat, lăsați motorul să funcționeze câteva minute în plus, apoi rotiți maneta de rotire a jgheabului înainte și înapoi de câteva ori pentru a îndepărta zăpada rămasă în jgheab.

TRANSPORTAREA ȘI DEPOZITAREA

- Opriți aparatul, îndepărtați acumulatorul și lăsați unealta să se răcească înainte de a o depozita sau transporta.
- Curățați toate materialele străine din produs. Depozitați-l într-un loc răcoros, uscat și bine aerisit ce este inaccesibil copiilor. Nu-l depozitați în apropiere de agenți corozivi cum ar fi produși chimici de grădinarit sau săruri antigel. Nu depozitați în aer liber.



- Pentru transportare, fixați aparatul împotriva mișcării sau căderii pentru a preveni vătămarea persoanelor sau a deteriora aparatul.

ÎNȚREȚINEREA

⚠ AVERTISMENT

Folosiți doar piese de schimb, accesorii și atasamente originale ale producătorului. Neurmarea acestora poate cauza posibilă vătămare, slaba funcționare și ar putea anula garanția.

⚠ AVERTISMENT

Service-ul necesită atenție și cunoștințe deosebite și trebuie îndeplinit doar de către un tehnician service calificat. Duceți produsul la un centru service autorizat pentru. Când se efectuează service-ul folosiți doar piese de schimb identice.

- Puteți face reglaje și reparații descrise în acest manual de instrucțiuni. Pentru alte reparații, contactați agentul service autorizat.
- După fiecare folosire curățați produsul cu o cârpă moale și uscată.
- Verificați toate piulițele, suruburile la intervale frecvente de timp ca să fie corespunzător strânse pentru a vă asigura că produsul este în stare de lucru în siguranță. Orice piesă deteriorată trebuie să fie reparată în mod corespunzător sau înlocuită de un service autorizat.

ELIBERAREA BLOCAJELOR

⚠ AVERTISMENT

Nu puneți niciodată mâinile sau picioarele în fața produsului sau a jgheabului de evacuare pentru a evita vătămarea gravă.

- Eliberați trăgaciul și scoateți acumulatorul.
- Asigurați-vă că toate piesele mobile s-au oprit complet.
- Folosiți un băț de lemn pentru a elimina orice blocaj.
- Rotiți ansamblul rotorului folosind bățul de lemn.

- Fiți atent, rotorul ar putea să se miște în timpul eliminării blocajului datorită energiei stocate în mecanism.
- Odată ce rotorul poate fi rotit cu bățul de lemn, mutați-vă la partea din spate a produsului.
 - Este normal ca mecanismul rotorului să aibă o mișcare în trepte.
- Asigurați-vă că este sigur să continuați curățarea zăpezii.
- Instalați acumulatorul. Porniți produsul.

RISURI REZIDUALE

Chiar dacă mașina este folosită conform instrucțiunilor, este totuși imposibil să eliminați complet anumiți factori de risc reziduali. Următoarele pericole pot apărea în timpul folosirii și operatorul trebuie să acorde atenție specială pentru a evita următoarele:

- Vătămare cauzată de zgomot.
 - Purtați protecție pentru auz și limitați expunerea.
- Vătămare de la obiecte în zbor aruncate în sus și în față de către rotorul în mișcare a mașinii sau de la jgheabul de evacuare a zăpezii.
 - Purtați protecție pentru ochi adecvată tot timpul.

CUNOAȘTEȚI-VĂ PRODUSUL

Vezi pagina 133.

1. Mâner superior
2. Trăgaci pornire/oprire
3. Buton blocare/deblocare trăgaci
4. Cablu de control motor
5. Levier de rotire a jgheabului
6. Clemă de blocare a mânerului
7. Bară de rotire a jgheabului
8. Mâner deflector jgheab
9. Deflector jgheab
10. Becuri LED
11. Rotor
12. Mâner intermediar
13. Buton rotativ de reglare a mânerului
14. Mânerul inferior
15. Mâner de cărare/ridicare
16. Compartiment de păstrare a acumulatorului
17. Compartiment acumulator în uz
18. Acumulator
19. Încărcător de acumulator

SIMBOLURILE DE PE PRODUS.



Citiți și înțelegeți toate instrucțiunile înaintea operării produsului, urmați toate avertizările și instrucțiunile de siguranță.



Feriți-vă de obiecte proiectate sau în zbor. Țineți toți trecătorii, în special copiii și animalele de companie la cel puțin 15 metri de zona de operare.



Purtați întotdeauna ochelari de protecție



PERICOL! Evitați rănirea cauzată de rotirea rotorului. Țineți ferite mâinile, picioarele și hainele.



PERICOL! Scoateți acumulatorul și citiți instrucțiunile din manual înainte de a elibera orice blocaj. Țineți mâinile și picioarele ferite de partea din față a mașinii și de jgheabul de evacuare.



Deșeurile produselor electrice nu trebuie să fie înlăturate împreună cu deșeurile casnice. Vă rugăm să reciclați acolo unde există facilități. Verificați la autoritatea dvs. locală sau la vânzător pentru sfaturi privind reciclarea.



Acest aparat este conform cu ansamblul normelor reglementare din țara din UE în care a fost cumpărat.



Marcaj de conformitate EurAsian



Semn de conformitate ucrainean



Nivelul garantat de putere al sunetului este de 86 dB



Apăsați și țineți apăsat



Trageți de trăgaci și țineți apăsat pentru a opera



Compartiment de păstrare a acumulatorului



Compartiment acumulator în uz

Următoarele cuvinte de semnalizare sunt destinate a explica nivelele de risc asociate cu acest produs:

⚠ PERICOL

Indică o situație periculoasă iminentă, care dacă nu este evitată va cauza decesul sau vătămarea gravă.

⚠ AVERTISMENT

Indică o situație periculoasă iminentă, care dacă nu este evitată poate rezulta în deces sau vătămare gravă.

⚠ ATENȚIE

Indică o situație potențial periculoasă, care dacă nu este evitată poate cauza vătămarea moderată sau ușoară.

ATENȚIE

Fără a simbolul de alertă privind siguranța Indică o situație care poate duce la pagube materiale.

SIMBOLURI DIN ACEST MANUAL



Piese sau accesorii vândute separat



Notă



Avertisment



Piedică



Deblocare

Drošība, sniegums un uzticamība ir augstākā prioritāte bezvadu sniega pūtēja izstrādē.

PAREDZĒTAIS LIETOJUMS

Bezvadu sniega pūtēju drīkst lietot vienīgi ārpus telpām, labi izgaismotā vietā, operatoram stāvot aiz ierīces. Šo bezvadu sniega pūtēja drīkst lietot tikai pieaugušie, kuri ir izlasījuši un sapratuši šīs rokasgrāmatas norādījumus un brīdinājumus un kuri spēj atbildēt par savu rīcību. Drošības apsvērumu dēļ ierīcei vienmēr jābūt pienācīgi kontrolētai, izmantojot abas rokas.

Ierīce ir izstrādāta sniega tīrīšanai dažādās vietās, piemēram, piebraucamajos ceļos, ietvēs, gājēju ceļos, takās, brauktvēs un ap mājām. Ar ierīci var nopūst sniegu līdz 25 cm dziļumam.

Preci nekad nedrīkst darbināt ar paceltiem riteņiem. Uz tās nedrīkst braukt. Preci drīkst izmantot tikai tā, kā aprakstīts šajā rokasgrāmatā un to nedrīkst izmantot citiem mērķiem.

VISPĀRĒJIE DROŠĪBAS NOTEIKUMI

▲ BRĪDINĀJUMS

Izmantojot ierīci, izpildiet drošības noteikumus. Pirms darba uzsākšanas Jūsu un blakusstāvētāju drošības dēļ, lūdzu, izlasiet šos norādījumus. Lūdzu, glabājiet noteikumus drošā vietā vēlākai izmantošanai.

▲ BRĪDINĀJUMS

Ierīci var lietot tikai ar bateriju paketi. Lietojot ar baterijām darbināmu ierīci, vienmēr jāievēro pamata drošības noteikumi, lai samazinātu ugunsgrēka, bateriju iztecēšanu un ievainojumu risku.

APMĀCĪBA

- Izlasiet un izprotiet norādījumus un drošības brīdinājumus. Iepazīstieties ar ierīces vadīšanu un pareizu lietošanu.
- Nekad nepieļaujiet, lai šī izstrādājuma ekspluatāciju, tīrīšanu vai apkopi veiktu bērni, personas ar samazinātām fiziskajām, maņu vai garīgajām spējām vai arī personas, kuras nav iepazinušās ar šiem norādījumiem. Vietos įstatymai

gali apriboti įrengimo operatoriaus amžiu. Nepieciešams pienācīgi uzmanīt bērnus, lai nodrošinātu, ka tie nespēlējas ar ierīci.

- Turēkite omenyje, kad operatorius arba vartotojas yra atsakingas už nelaimingus atsitikimus arba kitiems asmenims ar jų turtui sukeltą pavojų.
- Pārliecinieties, ka tuvumā stāvošie -bērni un dzīvnieki ir 15m attālumā no jūsu darbošanās vietas. Ja kāds ienāk zonā, apturiet precī.
- Nekad neizmantojiet produktu, kad esat noguris, slims vai alkohola, narkotiku vai medikamentu iespaidā.
- Piesardzību, lai nepieļautu slīdēšanu vai krišanu, jo īpaši, ja darbojas atpakaļgaitā.

SAGATAVOŠANA

- Rūpīgi pārbaudiet vietu, kur lietosiet ierīci, un aizvāciet visus kājslaukus, ragavas, dēļus, vadus un citus svešķermeņus.
- Ierīces lietošanas laikā vienmēr valkājiet piemērotu ziemas apģērbu un neslīdošus aizsargapavus. Lietojiet pieguļošu apģērbu vai apģērbu no kura nekas nekarājas; citādi, tie var tikt ierauti zargriezī.
- Nostipriniet garus matus tā, lai tie ir virs plecu līmeņa, lai novērstu sapīšanos kustīgajās daļās.
- Ierīces izmantošanas laikā, vienmēr lietojiet pilnu acu aizsargu. Ražotāji obligāti iesaka lietot pilnu sejas masku vai pilnībā noslēgtas aizsargbrilles. Parastās brilles vai saulesbrilles nevar tikt izmantotas aizsardzībai. Priekšmeti var tikt mesti lielā ātrumā un atsisties pret cietām virsmām operatora virzienā. Attiecīgos apstākļos jālieto putekļu maska, cieta cepure vai dzirdes aizsarglīdzekļi.
- Pirms katras lietošanas reizes pārliecinieties, ka visas kontroles un drošības sistēmas ir darba kārtībā. Neizmantojiet ierīci ja izslēgšanas slēdzis neapstādina motoru.
- Pirms katras lietošanas, vienmēr vizuāli to pārbaudiet, vai nav bojāts korpuss un, vai aizsargi un rokturi ir savās vietās un ir atbilstoši nodrošināti.
- Lai nomainītu bojātu vai nesalasāmu marķējumu, nogādājiet ierīci pilnvarotā servisa centrā.
- Pirms sākat tīrīt sniegu, ļaujiet ierīcei

pielāgoties ārējai temperatūrai.

AR AKUMULATORU DARBINĀMU IERĪČU LIETOŠANA UN KOPŠANA

- Izlasiet, izprotiet un vienmēr ievērojiet akumulatora un lādētāja komplektā iekļautos drošības norādījumus. Pretējā gadījumā varat izraisīt elektrošoku, aizdegšanos vai citas bīstamas situācijas. Visas instrukcijas glabājiet drošā vietā turpmākām uzzīņām.
- Akumulatora instrumenti nav jāpieslēdz elektrotīklam, tādēļ tie vienmēr ir lietošanas gatavībā. Izņemiet akumulatoru pirms regulēšanas, tīrīšanas vai objektu izņemšanas no ierīces.
- Akumulators jālādē tikai ar ražotāja noteikto lādētāju. Lādētāja lietošana ar nesaderīgu akumulatoru var izraisīt ugunsgrēka risku. Izmantojiet tikai norādījumos minēto lādētāju.
- Lietojiet tikai konkrētajai ierīcei paredzēto akumulatoru. Jebkura cita akumulatora lietošana var radīt ugunsgrēka, elektriskā trieciena vai ievainojumu risku.
- Kad nelietojat akumulatoru, neturiet to citu metāla priekšmetu tuvumā, piemēram: papīra saspaušanas, monētas, atslēgas, naglas, skrūves vai citi sīki metāla priekšmeti, kas var veidot savienojumu starp spailēm. Savienojot bateriju paketes terminālus, var rasties dzirksteles, apdegumi, aizdegšanās vai eksplozija.
- Nenovietojiet akumulatoru izstrādājumus vai to akumulatorus uguns vai karstuma avotu tuvumā. Tas palielina eksplozijas un miesas bojājumu gūšanas risku.
- Neatveriet un neizjauciet akumulatoru. Izliets elektrolīts ir korodējošs un var radīt bojājumus acīm vai ādai. Norijot tas ir toksisks.
- Sargājiet akumulatoru no mitruma un ūdens. Nelādējiet akumulatora instrumentu mitrā vietā. Šī noteikuma ievērošana mazinās elektriskā trieciena, aizdegšanās un nopietnu traumu risku.
- Akumulatora bojājuma un nepareizas lietošanas gadījumā var izdalīties tvaiks. Nodrošiniet svaigu gaisu un sūdzību gadījumā lūdziet medicīnisku palīdzību. Tvaiks var kairināt elpošanas sistēmu.
- Neatstājiet bateriju paketi transportlīdzeklī karstos vai aukstos laikapstākļos.

- LITĪJA-JONU bateriju paketi var lietot temperatūrā līdz -20 °C. Ievietojiet bateriju paketi ierīcē un izmēģiniet ierīci vieglas slodzes darbam. Pēc aptuveni minūtes akumulators būs uzsilis un sāks darboties normālā režīmā.
- Nesadedziniet akumulatoru. Kad baterijas kalpošanas laiks ir beidzies, atbrīvojieties no tās saskaņā ar vietējiem noteikumiem.
- Nepareizas rīcības gadījumā no akumulatora var izkļūt šķidrums; izvairieties no saskares ar to. Nejausās saskares gadījumā skalojiet skarto vietu ar ūdeni. Ja šķidrums nokļūst acīs, nepieciešama arī medicīniskā palīdzība. No akumulatora izkļuvušais šķidrums var izraisīt kairinājumu vai apdegumus.

BEZVADU SNIEGA PŪTĒJA DROŠĪBAS NOTEIKUMI

- Nenovietojiet rokas vai kājas zem rotējošām detaļām vai to tuvumā.
- Strādājot ar ierīci, uzmanieties, sekojiet savam darbam un vadieties pēc veselā saprāta. Neuzmanīga rīcība, darbojoties ar ierīci var radīt smagu personisku traumu.
- Darbinot ierīci grants brauktuvēs, takās vai ceļos vai šķērsojot tos, ievērojiet īpašu piesardzību. Uzmanieties no bīstamām situācijām un satiksmes.
- Nekad nedarbiniet mašīnu pie augstām transporta ātrumu uz slidenām virsmām. Esi uzmanīgs, braucot atpakaļgaitā.
- Nekādā gadījumā nepūtiet sniegu uz apkārtējiem un neļaujiet nevienam atrasties ierīces priekšpusē.
- Netīriet sniegu pret nogāzi. Būkite itin atsargūs ant šlaitu keisdami kryptj. Nemēģiniet notīrīt stāvas nogāzes.
- Nekādā gadījumā nedarbiniet ierīci bez atbilstošiem aizsargiem, plāksnēm un citām drošības palīgierīcēm.
- Nekādā gadījumā nedarbiniet ierīci stiklotu telpu, automobiļu, logu un ieeju tuvumā ar nepiemērotu sniega pūšanas leņķi. Darba zonas tuvumā nedrīkst atrasties nepiederošas personas, it īpaši bērni un dzīvnieki.
- Motoram darbojoties, ierīci drīkst novietot vienīgi uz cietas, tīras virsmas. Granti, smiltis un citus grūžus var iesūkt gaisa ieejā un tie var tikt mesti operatora vai apkārtējo

virzienā, izraisot iespējamus nopietnus miesas bojājumus.

- Nepārslodziet ierīci, mēģinot notīrīt sniegu pārāk ātri.
- Lietojiet ierīci labi izgaismotā vietā un ierīces lukturu gaismā vērojiet, vai nav redzami kādi šķēršļi vai briesmas.
- Nelietojiet ierīci, kad pastāv zibens spēriena risks.
- Visada laikykitēs saugaus atstumo nuo išmetimo angos. Nelieciet nekādus priekšmetus atverēs.
- Nedarbiniet ierīci sprādzienbīstamā vidē, piemēram, degošu šķidrums, gāzu vai putekļu klātbūtnē.
- Visada tvirtai stovēkite ir išlaikykite pusiausvyrą. Nepersitempkite. Persitempę galite prarasti pusiausvyrą.
- Atrodoties uz slīpas virsmas, vienmēr pārliecinieties par stabilu kāju stāvokli, un ejiet, nekad neskrieniet.
- Nepārveidojiet ierīci un nelietojiet detaļas un aksesuārus, kurus nav ieteicies ražotājs.
- Nekad nemēģiniet izdarīt korekcijas, kamēr motors darbojas, izņemot gadījumus, kad ir īpaši ieteicis ražotājs.

▲ BRĪDINĀJUMS

Ja ierīce tiek nomesta, tā ir saskārusies ar smagu triecienu vai tā sāk nevaldāmi vibrēt, nekavējoties izslēdziet ierīci un centieties atrast bojājumu vai arī cēloni šādai vibrācijai. Jebkāda tehniska apkope ir jāveic tikai autorizētos tehniskās apkopes centros.

- Lai samazinātu risku gūt miesas bojājumus, nonākot saskarē ar rotējošām detaļām, vienmēr apturiet ierīci, izņemiet bateriju paketi un pārliecinieties, ka visas kustīgās detaļas ir apstājušās:
 - pirms tīrīšanas vai šķēršļu izciršanas
 - kad atstājat ierīci bez uzraudzības
 - pirms ierīces pārbaudīšanas, apkopes vai darbināšanas
 - Sazāģējot nezināmu priekšmetu, pārbaudiet, vai ierīce nav bojāta.
 - ja iekārta sāk neparasti vibrēt (pārbaudiet nekavējoties)

LIETOŠANAS IETEIKUMI

- Ierīce nedarbosies, ja augšējais rokturis nebūs pareizi uzstādīts un roktura bloķējošā skava nebūs droši nostiprināta. Ierīcei ir divi drošības bloķētāji, kas palīdz novērst nejaušu iedarbināšanu, kad ierīce nav pareizi samontēta.
- Pirms ierīces lietošanas nosakiet vēja virzienu. Pūstiet sniegu vēja virzienā, lai sniegs netiktu mests sejā.
- Pabeidzot darbu, ļaujiet motoram darboties vēl dažas minūtes, pēc tam bīdīet izvada rotācijas sviru turp un atpakaļ vairākas reizes, lai izpūstu visu atlikušo sniegu no izvada.

TRANSPORTĒŠANA UN UZGLABĀŠANA

- Pirms uzglabāšanas vai transportēšanas apturiet mašīnu, izņemiet bateriju paketi un ļaujiet ierīcei atdzist.
- Notīriet visus svešķermeņus no izstrādājuma. Uzglabājiet to vēsā, sausā un labi vēdinātā vietā, kurai nevar piekļūt bērni. Neglabājiet to vietā, kur tuvumā atrodas korozīvas vielas, piemēram dārza darbos izmantojamas ķīmikālijas vai atsaldešanai domāta sāls. Neuzglabājiet ārpus telpām.
- Transportēšanas laikā nostipriniet iekārtu tā, lai tā nevarētu kustēties vai apkrīst, lai izvairītos no personu ievainošanas un iekārtas bojāšanas.

APKOPE

▲ BRĪDINĀJUMS

Lietojiet tikai oriģinālās ražotāja rezerves daļas, piederumus un uzgaļus. Pretējā gadījumā var tikt radīti ievainojumi un parādīts slikts sniegums, kā arī var tikt anulēta garantija.

▲ BRĪDINĀJUMS

Aptarnavimā atlikti būtina itin atdīzjai, todēl rekomenduojuame, kad tehniņę apžiurą vykdytų kvalifikuotas specialistas. Nogādājiet ierīci pilnvarotā servisa centrā. Sugedusias detales keiskite tik originaliomis detalėmis.

- Daudzus šajā lietotāja rokasgrāmatā

aprakstītos regulēšanas un remontdarbus varat veikt pats. Lai veiktu citus remontdarbus, sazinieties ar pilnvarotu servisa darbinieku.

- Pēc katras lietošanas reizes notīriet precīzi ar mīkstu, sausu drāniņu.
- Regulāri pārbaudiet visus uzgriežņus, stiprinājumus un skrūves, lai pārliecinātos, ka tās ir cieši pievilktas un izstrādājums ir drošā darba stāvoklī. Jebkura bojāta detaļa jānodod remontam vai nomaīņai pilnvarotā apkopes centrā.

AIZSPROSTOJUMU TĪRĪŠANA

▲ BRĪDINĀJUMS

Nekādā gadījumā nelieciet rokas un kājas ierīces vai pūšanas izvada priekšpusē, lai pasargātu sevi no nopietniem miesas bojājumiem.

- Atlaidiet slēdzi un izņemiet bateriju paketi.
- Pārliecinieties, ka visas kustīgās daļas ir pilnīgi apstājušās.
- Izmantojiet koka kārti, lai atbrīvotu aizsprostojumu.
- Pagrieziet ratu, izmantojot koka kārti.
- Ņemiet vērā, ka rats pats var griezties aizsprostojuma atbrīvošanas laikā, jo mehānismā var būt uzkrājušies enerģija.
- Tiklīdz ratu var pagriezt ar koka kārti, dodieties ierīces aizmugurē.
 - Tas ir normāli, ka rata mehānisms kustas pakāpeniski.
- Pārliecinieties, ka varat droši turpināt tīrīt sniegu.
- Ievietojiet bateriju paketi. Ieslēdziet ierīci.

OBJEKTĪVIE RISKI

Pat tad, ja ierīce tiek lietota atbilstoši norādījumiem, joprojām nav iespējams pilnībā novērst atsevišķus riska faktorus. Lietošanas laikā var rasties šādas bīstamas situācijas, un lietotājam ir jāpievērš pastiprināta uzmanība, lai tās novērstu:

- Trokšņa radīti miesas bojājumi
 - Valkājiet ausu aizsargu un ierobežojiet saskarsmi.
- Miesas bojājumi no lidojošiem priekšmetiem uz augšu un uz priekšu no

rotējošā rata ierīces priekšpusē vai no sniega izvada.

- Vienmēr izmantojiet atbilstošu acu aizsargu.

PAZĪSTIET SAVU IERĪCI

Skatīt 133. lappusi

1. Augšējais rokturis
2. Ieslēgšanas/izslēgšanas aizsāucamais
3. Slēdža atbloķēšanas poga
4. Motora vadības kabelis
5. Izvada rotācijas svira
6. Roktura bloķējošā skava
7. Izvada rotācijas ass
8. Izvada deflektora rokturis
9. Izvada deflektors
10. LED apgaismojums
11. Rats
12. Starprokturis
13. Roktura regulēšanas poga
14. Apakšējais rokturis
15. Pārmēsāšanas/pacelšanas rokturis
16. Uzglabājamās baterijas nodalījums
17. Izmantojamās baterijas nodalījums
18. Akumulators
19. Akumulatora lādētājs

UZ PRECES ESOŠIE SIMBOLI



Pirms preces darbināšanas izlasiet un izprotiet visus norādījumus, ievērojiet visus brīdinājumus un drošības norādījumus.



Sargieties no izmestiem vai lidojošiem priekšmetiem. Rūpējieties, lai visi tuvumā stāvošie, īpaši bērni un dzīvnieki atrastos vismaz 15 m attālumā no darba zonas



Valkājiet acu aizsargaprīkojumu



BĪSTAMI! Uzmanieties no rotējošā rata, lai negūtu ievainojumus. Sargiet rokas, kājas un apģērbu.



BĪSTAMI! Pirms aizsprostojuma tīršanas izņemiet bateriju un izlasiet norādījumus rokasgrāmatā. Rokām un kājām jābūt pietiekošā attālumā no ierīces priekšpuses un pūšanas izvada.



Izlietotie elektroprodukti nedrīkst tikt izmesti kopā ar mājtsaimniecības atkritumiem. Lūdzu, nododiet tos attiecīgajās atk ār tolas izmantošanas vietās. Sazinieties ar savu vietējo varas pārstāvi vai izplatītāju, lai noskaidrotu, kur iespējama atkārtota pārstrāde.



Darbarīks atbilst visām normām ES valstī, kurā tas ir iegādāts.



EurAsian atbilstības marķējums



Ukrainas apstiprinājuma zīme



Garantētais skaņas jaudas līmenis ir 86 dB.



Nospiediet un turiet



Saspiediet un turiet, lai darbinātu



Uzglabājamās baterijas nodalījums



Izmantojamās baterijas nodalījums

Šādi signālvārdi un nozīmes ir paredzētas, lai izskaidrotu ar precī saistītā riska līmeņus:

⚠ BĪSTAMI

Norāda draudošo bīstamo situāciju, kas, ja no tās neizvairās, var novest pie nāves vai nopietnas traumas.

⚠ BRĪDINĀJUMS

Norāda potenciālo bīstamo situāciju, kas, ja no tās neizvairās, var novest pie nāves vai nopietnas traumas.

⚠ UZMANĪBU

Norāda potenciālo bīstamo situāciju, kas, ja no tās neizvairās, var novest pie nelielas vai vidējas traumas.

UZMANĪBU

Bez drošības brīdinājuma apzīmējuma Norāda uz situāciju, kas var radīt īpašuma bojājumus.

SIMBOLI ŠAJĀ ROKASGRĀMATĀ



Atsevišķi nopērkamās daļas vai piederumi



Piezīme



Brīdinājums



Bloķētājs



Atbloķēt

Projektuojant belaidį sniego valytuvą-pūstuvą, didžiausias prioritetas suteiktas saugai, eksploatacinėms savybėms ir patikimumui.

NAUDOJIMO PASKIRTIS

Belaidis sniego valytuvus-pūstuvus skirtas naudoti lauke, gerai apšviestoje vietoje, operatoriui einant paskui gaminį. Šis belaidžio sniego valytuvo-pūstuvo gražtas skirtas naudoti tik suaugusiesiems, kurie yra perskaiteę ir supratę šiame vadove pateiktus nurodymus bei įspėjimus ir gali būti laikomi atsakingi už savo veiksmus. Saugos sumetimais, gaminys turi būti tinkamai valdomas visada dirbant abiem rankomis.

Gaminys skirtas valyti sniegą tokiose vietose, kaip įvažiavimai, šaligatviai, pėsčiųjų takai, takeliai, keliai ir takai aplink namus. Gaminys gali pastumti iki 25 cm gylio sniego pusnis.

Gaminio joku būdu negalima naudoti, jeigu ratukai nesiekia žemės. Juo negalima važinėti. Gaminį reikia naudoti tik pagal šiame vadove pateiktus nurodymus ir tik pagal paskirtį.

BENDROS SAUGOS TAISYKLĖS

▲ ĮSPĖJIMAS

Būtina laikytis saugos reikalavimų naudojantis šiuo produktu. Dėl savo pačių ir šalia esančių asmenų saugumo, perskaitykite šias instrukcijas prieš pradėdami dirbti prietaisu. Išsaugokite šią instrukciją ateičiai.

▲ ĮSPĖJIMAS

Gaminys maitinamas tik baterijų paketo energija. Naudojant įrankius su akumuliatoriumi, būtina atsižvelgti į elementarias saugumo priemones, kad sumažintumėte gaisro, skysčio iš akumuliatorių ištekėjimo ir sužeidimo pavojų.

APMOKYMAS

- Perskaitykite ir įsisąmoninkite instrukcijas ir saugos įspėjimus. Gerai žinoti apie valdiklius ir tinkamą krūmaprovės naudojimą.
- Joku būdu neleiskite naudoti, valyti ar prižiūrėti prietaisą vaikams, žmonėms su robotais fiziniiais, jutikliniais ar protiniais

gebėjimais, arba nesusipažinusiems su šiomis instrukcijomis asmenimis. Vietos įstatymai gali apriboti įrengimo operatoriaus amžių. Vaikus reikia tinkamai prižiūrėti, kad jie nežaistų su krūmaprove.

- Turėkite omenyje, kad operatorius arba vartotojas yra atsakingas už nelaimingus atsitikimus arba kitiems asmenims ar jų turtui sukeltą pavojų.
- Pašaliniai asmenys, vaikai ir gyvūnai turi būti 15m atstumu nuo genėjimo vietos. Į apdirbamą plotą įėjus pašaliniam asmeniui, gaminį reikia sustabdyti.
- Gaminio joku būdu negalima naudoti pavargus, sergant ar apsvaigus nuo alkoholio, narkotinių medžiagų ar vaistų.
- Būkite atsargūs, kad būtų išvengta slydimo, ypač dirbant atbuline eiga.

PARUOŠIMAS

- Kruopščiai apžiūrėkite vietą, kurioje bus valomas sniegas ir patraukite iš jos kilimėlius, rogutes, snieglientes, laidus ir kitus pašalinius objektus.
- Naudodami gaminį, dėvėkite tinkamą žieminę aprangą ir mūvėkite neslidžią avalynę. Stengtis nedėvėti dukšlių drabužių, arba rūbų su kabančiais raišteliais ar kaklaraiščiu: juos gali įtraukti judamosios dalys.
- Ilgus plaukus reikia susegti virš pečių lygio, kad neišpainiotų į judančias dalis.
- Naudodami šią krūmaprovę, visada dėvėkite pilną akių apsaugą. Gamintojas primygtinai rekomenduoja dėvėti viso veido kaukę ar priglundusius apsauginius akinius. Įprasti ar saulės akiniai nėra tinkama apsaugos priemonė. Objektai gali būti išsviedžiami dideliu greičiu ir, atšokę nuo kietų paviršių, sužeisti operatorių. Atitinkamomis sąlygomis reikia dėvėti dulkių kaukę, šalną ar klausos apsaugines priemones.
- Prieš kiekvieną naudojimą patikrinkite, ar tinkamai veikia visi valdikliai ir saugos įtaisai. Nenaudokite įrankio, jeigu išjungimo jungikliu nepavyksta sustabdyti krūmaprovės.
- Prieš kiekvieną krūmaprovės naudojimą, būtina apžiūrėkite, ar jos korpusas nepakenktas ir ar apsauginiai įtaisai bei rankenos tinkamai ir saugiai sumontuoti.



- Nugabinkite gaminį į įgaliotąjį techninio aptarnavimo centrą, kad pakeistu pažeistas ar neįskaitomas etiketes.
- Prieš pradėdami valyti sniegą, palikite sniego valytuvą, kad prisitaikytų prie lauko temperatūros.

ĮRANKIO SU AKUMULIATORIUMI NAUDOJIMAS IR PRIEŽIŪRA

- Perskaitykite, supraskite ir griežtai vadovaukitės saugos instrukcijomis, pridėdomomis prie prietaiso baterijos ir įkroviklio. Nesilaikant saugos instrukcijų, gali įvykti elektros smūgis, kilti gaisras ar kitos pavojingos situacijos. Visas instrukcijas laikykite kartu saugioje vietoje, kad prirėkus galėtumėte jas bet kada paskaityti.
- Akumuliatorių įrankių prie maitinimo šaltinio prijungti nereikia, todėl jie visuomet paruošti naudoti. Prieš reguliuodami, valydami įrankį ar šalinami nuopjovas iš įrankio, visada išimkite akumuliatorių.
- Pakartotinai kraukite akumuliatorių tik naudodami gamintojo nurodytą įkroviklį. Naudojant įkroviklį su nesuderinamu akumuliatoriumi gali sukelti gaisro pavojų. Naudokite tik instrukcijose nurodytą įkroviklį.
- Naudokite tik šiam įrankiui skirtą akumuliatorių. Kitokių akumuliatorių naudojimas gali sukelti gaisrą, elektros smūgį ar sužeidimus.
- Kai akumuliatorius nenaudojamas, jį laikykite toliau nuo kitų metalinių daiktų, pavyzdžiui, sąvaržėlių, monetų, raktų, vinių, varžtų ar kitų mažų metalinių daiktų, kurie vieną gnybtą gali sujungti su kitu. Įvykus baterijų paketo gnybtų trumpajam jungimui, gali pasipilti kibirkštys, apdegti aplinkiniai objektai, įvykti gaisras ar sprogimas.
- Baterinių įrankių ar jų baterijų nelaikykite prie ugnies ar karščio. Tai padidina sprogimo bei galimų sužeidimų pavojų.
- Niekada nebandykite akumuliatoriaus atidaryti ar išardyti. Išsiskiriantys elektrolitai yra koroziniai bei gali pakenkti akims ir odai. Juos prarijus, jie gali būti nuodingi.
- Akumuliatorių saugokite nuo drėgmės ir vandens. Akumuliatorinio įrankio nelaikykite drėgnose ar šlapiose vietose. Laikantis šių nurodymų, sumažinamas elektros smūgio,

gaisro ar sunkių sužeidimų pavojus.

- Akumuliatorių pažeidus gali išsiskirti garai. Išėikite į gryną orą ir jei vis dar prastai jaučiatės, kreipkitės į gydytojus. Garai gali dirginti kvėpavimo organus.
- Nepalikite baterijų paketo transporto priemonėje, kai karšta arba šalta.
- LIČIO-JONŲ baterijų paketą galima naudoti esant iki -20°C temperatūrai. Uždėkite baterijų paketą ant gaminio ir naudokite gaminį nesunkiems darbams. Maždaug po minutės, akumuliatorius įšyla ir pradeda veikti normaliu režimu.
- Akumuliatoriaus nedeginkite. Pasibaigus baterijos naudojimo laikui, ją reikia tinkamai išmesti, vadovaujantis vietos taisyklėmis.
- Netinkamomis sąlygomis iš akumuliatoriaus gali ištekėti skystis - nelieskite jo. Jei atsitiktinai prisilietėte - nuplaukite vandeniu. Jei skysčio pateko į akis, papildomai kreipkitės į gydytoją. Iš akumuliatoriaus ištekėjęs skystis gali nudeginti ar sukelti sudirginimus.

BELAUDŽIO SNIEGO VALYTUVO-PŪSTUVO SAUGOS TAISYKLĖS

- Rankų ar kojų nelaikykite šalia besisukančių detalių ar po jomis.
- Dirbdami su prietaisu būkite budrūs, stebėkite, ką darote bei vadovaukitės sveika nuovoka. Naudojant krūmaplovę, dėl menkiausio neatidumo, galima sunkiai susižeisti.
- Valydami ar važiuodami žvyruotais keliais ar takeliais, būkite ypatingai atsargūs. Jūsų tyko paslėpti pavojai ar eismo kliūtys.
- Niekada nenaudokite įrenginio aukštoje transporto greičiu slidžiu paviršiumi. Būkite atsargūs, kai atbline eiga.
- Jokiu būdu neišpilkite sniego tiesiai ant pašalinių asmenų ir neleiskite žmonėms atsiduti priešais gaminį.
- Nevalykite sniego priekinėje nuokalnių bei šlaitų pusėje. Būkite itin atsargūs ant šlaitų keisdami kryptį. Nebandykite valyti stačių šlaitų.
- Jokiu būdu neekspluatuokite gaminio be reikiamų apsauginių įtaisų, plokštelių ar kitų saugos įrenginių.
- Jokiu būdu neekspluatuokite gaminio arti stiklo aptvėrimų, automobilių, langų ar tarpdurių, jeigu nėra tinkamai sureguliuotas





sniego išpylimo kampas. Visi pašaliniai asmenys, o ypač vaikai ir gyvūnai, turi būti toliau nuo darbo zonos.

- Jeigu veikia variklis, gaminį reikia dėti tik ant kietų, švorių paviršių. Oro įleidimo anga gali įtraukti žvyrą, smėlį ir kitas nuolaužas, ir jas išsviesti į operatorių ar pašalinius asmenis; o tai gali sukelti sunkius sužeidimus.
- Norėdami kuo greičiau nuvalyti sniegą, nebandykite eksploatuoti įrenginio perkrauti paleisdami jį veikti per dideliu našumu.
- Naudokite įrenginį gerai apšviestose vietose ir esant priekinių šviesų apšveitimui stebėkite, kad neatsidaužtų į kliūtis ir nepatektų į kitu pavojus.
- Nenaudokite gamino, kai gali žaibuoti.
- Visada laikykitės saugaus atstumo nuo išmetimo angos. Nedėkite jokių daiktų į angas.
- Nenaudokite prietaiso, jei šalia yra degios ir sprogti galinčios medžiagos (skysčiai, dujos ar dulkės).
- Visada tvirtai stovėkite ir išlaikykite pusiausvyrą. Nepersitempkite. Persitempę galite prarasti pusiausvyrą.
- Būtinai patikrinti, ar tvirtas pagrindas po kojomis atšlaitėse, ir eiti – jokių būdu nebėgti.
- Niekaip nemodifikuokite prietaiso ir nemontuokite dalių bei priedų, kurias naudoti nepataria gamintojas.
- Niekada nebandykite atlikti jokių patikslinimų, o variklis veikia, išskyrus atvejus, kai konkrečiai rekomenduoja gamintojas.

▲ ĮSPĖJIMAS

Numetus krūmaplovę, jai stipriai susitrenkus ar pradėjus neįprastai vibruoti, ją reikia nedelsiant sustabdyti ir patikrinti, ar nepakenkta arba nustatyti vibravimo priežastį. Pakenktos dalys turi būti tinkamai sutaisytos arba pakeistos įgaliojame techninio aptarnavimo centre.

- Norėdami sumažinti sužeidimų, kuriuos sukelia prisilietimas prie besisukančių dalių, pavojų, būtinai sustabdykite gaminį, išimkite baterijų paketą ir patikrinkite, ar visos judamosios dalys visiškai sustoję:

- prieš valant ar išimant susidariusį kamštį
- kai paliekate krūmaplovę be priežiūros
- prieš tikrinant, prižiūrint ar naudojant krūmaplovę
- atsitrenkus į pašalinį daiktą, apžiūrėti, ar krūmaplovė nepakenkta
- Prietaisui pradėjus neįprastai vibruoti (kuo skubiau patikrinkite).

NAUDINGI EKSPLOATAVIMO PATARIMAI

- Gaminys neveiks, jeigu viršutinė rankena bus netinkamai įtaisyta ir negerai prispausta spausťuku. Kad netinkamai surinkus, įrenginys nepasileistų netyčia, yra du saugos blokavimo įtaisai.
- Prieš pradėdant eksploatuoti įrenginį, reikia atsižvelgti į vėjo kryptį. Kad sniego nepustytų veidą, jį reikia iškratyti ta pačia kryptimi, kuria pučia vėjas.
- Bigus darbą, variklį reiki a palikti veikti dar kelias minutes, tada kelis kartus pasukti pirmyn ir atgal lovelio sukimosi svirtį, kad iš jo išbyrėtų visi sniego likučiai.

GABENIMAS IR LAIKYMAS

- Prieš transportuodami ar padėdami į sandėlį, sustabdykite grandininį pjūklą, išimkite baterijų paketą ir palikite įrankį atvėsti.
- Nuo įrankio nuvalykite visas pašalines medžiagas. Laikykite vėsioje, sausoje, gerai vėdinamoje ir vaikams nepasiekiamoje vietoje. Nelaikykite jo arti nuo tokių koroziją sukeliančių reagentų kaip cheminės sodininkystės medžiagos arba druskos, naudojamos prieš apledėjimą. Nelaikykite lauke.
- Ruošdami gabenimui, nejudamai pritvirtinkite įrenginį, kad gabenant nenukristų ir nesužeistų žmonių arba nesugestų pats.

PRIEŽIŪRA

▲ ĮSPĖJIMAS

Keitimui naudokite tik originalias gamintojo atsargines dalis. Neoriginalios dalys gali būti sužeidimų ir įrenginio blogo veikimo priežastis, ir dėl to gali būti anuliuotas garantinis pažymėjimas.

EN
FR
DE
ES
IT
NL
PT
DA
SV
FI
NO
RU
PL
CS
HU
RO
LV
LT
ET
HR
SL
SK
BG
UK



⚠ ĮSPĖJIMAS

Aptarnavimą atlikti būtina itin atidžiai, todėl rekomenduojame, kad techninę apžiūrą vykdytų kvalifikuotas specialistas. Nugabenkite gaminį į įgaliotąjį techninio aptarnavimo centrą. Sugedusias detales keiskite tik originaliomis detalėmis.

- Prietaisą galite reguliuoti ir remontuoti, kaip aprašyta šiame naudotojo vadove. Dėl kitų remonto darbų kreipkitės į įgaliotą techninio aptarnavimo centrą.
- Po kiekvieno naudojimo, išvalykite įrenginį sausu švelnaus audinio gabalėliu.
- Dažnai tikrinkite visas varžles, varžtus ir sraigtus, ar jie tvirtai laikosi ir ar gaminys yra saugios darbo būklės stovyje. Bet kurią apgadintą detalę leidžiama remontuoti arba keisti tik autorizuosime aptarnavimo centre.

KAMŠČIŲ ŠALINIMAS

⚠ ĮSPĖJIMAS

Jokiu būdu negalima dėti rankų ar kojų priešais gaminį ar sniego iškratymo lovelį, nes priešingu atveju galima sunkiai susižeisti.

- Atleiskite spragtuką ir išimkit baterijų paketą.
- Patikrinkite, ar visos judančio dalys visiškai nustojo sukintis.
- Pašalinkite kamštį medine lazdele.
- Medine lazdele pasukite sparnuotės sistemą.
- Būkite atsargūs, išimant kamštį, sparnuotė gali savaime pajudėti dėl mechanizme išsaugotos energijos.
- Pasukus sparnuotę medine lazdele, reikia pereiti į gaminio galinę dalį.
 - Normalu, kad sparnuotės mechanizmas juda pakopomis.
- Patikrinkite, ar toliau valyti sniegą saugu.
- Įdėkite baterijų paketą. Įjunkite gaminį.

ŠALUTINIAI PAVOJAI

Netgi prietaisą naudojant pagal jo paskirtį visų šalutinių rizikos veiksmų visiškai pašalinti neįmanoma. Gali kilti toliau nurodyti pavojai,

todėl operatorius turi būti itin dėmesingas, kad išvengtų šių dalykų:

- Triukšmo sukelta trauma
 - Dėvėkite akių apsaugą ir ribokite poveikio trukmę.
- Iš besisukančios sparnuotės aukštyn ir į priekį įrenginio priekyje arba iš sniego lovelio išsviestų objektų sukelta trauma.
 - Visada dėvėkite tinkamą akių apsaugą.

PAŽINKITE SAVO GRANDININĮ PJŪKLĄ

Žr. 133 psl.

1. Viršutinė rankenėlė
2. Įjungimo/išjungimo sukelti
3. Spragtuko užrakinimo mygtukas
4. Variklio valdymo droselis
5. Lovelio sukimo svirtis
6. Rankenos blokavimo spausdukas
7. Lovelio sukimo velenas
8. Lovelio kreiptuvo rankena
9. Lovelio kreiptuvas
10. Šviesos diodų (LED) lemputės
11. Sparnuotė
12. Tarpinė rankena
13. Rankenos reguliavimo galvutė
14. Nuleiskite rankeną
15. Gabenimo / kėlimo rankena
16. Atsarginių baterijos skyrius
17. Naudojamų baterijos skyrius
18. Baterija
19. Akumulatoriaus įkroviklis

SIMBOLIAI ANT ĮRENGINIO



Prieš naudodami įrenginį, atidžiai perskaitykite instrukcijas, laikykitės įspėjimų ir saugos nurodymų.



Saugokitės išmetamų arba skrendančių objektų. Visi pašaliniai asmenys, ypač vaikai ir naminiai gyvūnai, turi būti ne arčiau kaip 15 m nuo darbo vietos.



Dėvėkite apsauginius akinius



PAVOJUS! Venkite sužeidimų, sukeliamų besisukančios sparnuotės. Rankas, kojas ir aprangą laikykite atokiai nuo įrenginio.



PAVOJUS! Prieš šalinami susidariusį kamštį, išimkite bateriją ir perskaitykite vadove pateiktas instrukcijas. Rankas, kojas ir aprangą laikykite atokiai nuo įrenginio priekinės dalies ir išbėrimo levelio.



Elektrinių produktų atliekos neturi būti metamos kartu su namų ūkio atliekomis. Prašome perdirbkite jas ten, kur yra tokios perdirbimo bazės. Dėl perdirbimo patarimo kreipkitės į savo vietinę savivaldybę ar pardavėją.



Šis prietaisas atitinka visas reglamentuotas normas ES šalies, kur jis buvo nupirkta.



„EurAsian“ atitikties ženklas



Ukrainos atitikties ženklas



Garantuojama garso galia yra 86 dB



Paspauskite ir palaikykite



Suspauskite ir palaikykite, kad pradėtų veikti



Atsarginių baterijos skyrius



Naudojamų baterijos skyrius

Toliau pateikti signaliniai žodžiai skirti paaikškinti rizikos, susijusios su gaminiu, lygius:

⚠ PAVOJUS

Reiškia ypač pavojingą padėtį, kurios neišvengus bus patirti sunkūs ar net mirtini sužeidimai.

⚠ ĮSPĖJIMAS

Reiškia potencialiai pavojingą situaciją, kurios neišvengus galimi sunkūs ar net mirtini sužeidimai.

⚠ ATSARGIAI

Reiškia potencialiai pavojingą situaciją, kurios neišvengus galimi lengvi ar vidutinio sunkumo sužeidimai.

ATSARGIAI

Be įspėjamųjų simbolių
Reiškia nuosavybės žalos tikimybę.

SIMBOLIAI VADOVE



Detalės arba priedai yra parduodami atskirai



Pastaba



Įspėjimas



Blokėtąjs



Atrakinti

- EN
- FR
- DE
- ES
- IT
- NL
- PT
- DA
- SV
- FI
- NO
- RU
- PL
- CS
- HU
- RO
- LV
- LT**
- ET
- HR
- SL
- SK
- BG
- UK

Akutoitega lumepuhuri konstrueerimisel on peaesmärgiks olnud toote ohutus, tootlikkus ja töökindlus.

OTSTARBEKOHANE KASUTAMINE

Akutoitega lumepuhur on ette nähtud kasutamiseks vaid õues hästi valgustatud kohas, nii et kasutaja lükkab seda enda ees. Akutoitega lumepuhuri on ette nähtud kasutamiseks vaid täiskasvanud töötaja poolt, kes on selle kasutusjuhendi juhised ja hoiatused läbi lugenud ja mõistab vastutust nende täitmise eest. Ohutuse tagamiseks peab saagi kasutamise ajal kogu aeg hoidma kahe käega.

Seade on ette nähtud sissesõiduteede, kõnniteede, jalgteede, radade ja sõiduteede ning maja ümbruste lumest puhastamiseks. Seadmega saab eemaldada lund, mille sügavus on kuni 25 cm.

Kultivaatorit ei tohi kunagi nii kasutada, et rattad on maapinna kohal. Ärge astuge kultivaatori peale. Kultivaatorit tuleb kasutada selles kasutusjuhendis kirjeldatud viisil, seda ei tohi kasutada mingiks muuks otstarbeks.

ÜLDISED OHUTUSESKIRJAD

⚠ HOIATUS

Seadme kasutamisel tuleb järgida ohutusreegleid. Teie ja kõrvalseisjatele ohutuse tagamiseks lugege käesolevad juhised enne seadme kasutamist läbi. Hoidke juhend edaspidiseks kasutamiseks alles.

⚠ HOIATUS

Seadme tööks on vaja vaid akupaketti. Akutööriistade kasutamisel tuleb järgida üldisi ohutusnõudeid, et vähendada tulekahjust ja lekkivatest akudest tingitud ohtu ning vältida kehavigastusi.

VÄLJAÕPE

- Lugege kõik juhised ja ohutusjuhised läbi ja mõtestage need lahti. Õppige tundma kõiki seadme juhtseadiseid ja kasutusnõudeid.
- Ärge lubage lapsi ega piiratud füüsiliste, sensorsete ja vaimsete võimetega inimesi ning nende juhistega mittetutvunud inimesi seadet kasutada, puhastada ja hooldada.

Kohalikud regulatsioonid võivad seada kasutaja vanusele piiranguid. Laste järele tuleb piisavalt valvata, et nad seadmega ei mängiks.

- Pidage meeles, et operaator või kasutaja on vastutav õnnetuste või ohuolukordade eest, mis võivad puudutada teisi inimesi või nende vara.
- Hoidke kõik kõrvalseisjad, lapsed ja lemmikloomad tööalalt vähemalt 15 meetri kaugusele. Kui keegi tööpiirkonda siseneb, siis seisake kultivaator.
- Ärge kasutage kultivaatorit väsinuna või haigena ega siis, kui olete uimastite, alkoholi või ravimite mõju all.
- Olge ettevaatlik, et vältida libisemist või langeb, eriti kui nad tegutsevad vastupidises.

ETTEVALMISTUSTOIMINGUD

- Enne lumepuhuri kasutamist kontrollige tööpiirkond hoolikalt üle ja eemaldage uksematid, kelgud, lumelauad, juhtmed ja muud esemed.
- Kandke seadmega töötamisel alati talvist tööriietust ja mittelibisevaid jalanõusid. Vältige selliste riiete kandmist, mis on lõdvad või millel on paelad või sidemed; need võivad haakuda liikuvate osade külge.
- Kinnitage pikad juuksed õlgadest kõrgemale, et vältida nende takerdumist liikuvate osade vahele.
- Kandke selle seadme kasutamise ajal alati silmakaitsevahendeid. Tootja soovib kasutada igal juhul näomaski või külgkaitsega silmamaski. Tavalised kaitseprillid või päikesepillid ei ole nõuetekohased kaitsevahendid. Objektid võivad suurel kiirusel igal hetkel välja lennata ja võivad kõvadelt pindadelt põrkuda operaatori suunas. Vastavalt oludele tuleb kanda tolmumaski, kiivrit ja kuulmiskaitsevahendeid.
- Enne seadme kasutamise alustamist veenduge, et kõik juht- ja ohutuseadised töötavad nõuetekohaselt. Kui seade nupule OFF vajutamisel välja ei lülitu, ärge hakake tööriista kasutama.
- Enne iga kasutuskorda kontrollige välise vaatluse teel, et korpus ei ole vigastatud ja kaitsed ning käepidemed on oma kohtadel ning nõuetekohaselt kinnitatud.

- Pöörduge vigastatud ja loetamatute kleebiste asendamiseks volitatud hoolduskeskuse poole.
- Enne lumepuhastamise alustamist laske masinal kohaneda välisõhu temperatuuriga.

AKUTÖÖRIISTA KASUTAMINE JA KOR-RASHOID

- Lugege aku ja akulaadija komplektis olevad ohutusjuhised läbi ja tehke need endale selgeks. Selle nõude eiramine võib põhjustada elektrilööki, tulekahju ja muid ohtlikke olukordi. Hoidke kõiki juhiseid ühes kindlas kohas, et saaksite neid tulevikus lugeda.
- Akutoitega tööriistu ei pea pingestamiseks vooluvõrgu pistikupessa ühendama – need on pinge all kogu aeg. Enne reguleerimist, hooldamist või lõigatavast materjalist puhastamist võtke akupakett välja.
- Akupaketti tohib laadida ainult tootja poolt ettenähtud laadijaga. Akupaketiga mittesobiva laadija kasutamine võib põhjustada tuleohtu. Kasutage laadimiseks vaid juhistes nimetatud laadijat.
- Kasutage ainult seda akupaketti, mis on sellele seadmele ette nähtud. Muude akupaketide kasutamisel korral võib tekkida tulekahju, elektrilöögi või kehavigastuse oht.
- Sel ajal kui akupakett ei ole kasutusel, hoidke seda eemal metallesemetest nagu kirjaklambrid, mündid, võtmed, naelad, kruvid ja muudest väikestest metallobjektidest, mis võivad akuklemmid lühistada. Akupaketi klemmide lühistamine võib põhjustada sädemeid, põletust, tulekahju või plahvatust.
- Ärge jätke akusid või toiteelemente lahtise tule lähedusse või kuumale kohtale. Selle juhise järgimine vähendab plahvatuse ja võimaliku kehavigastuse ohtu.
- Ärge akupaketti avage ega osadeks lahutage. Vabanev elektrolüüt on korrodeeriv ja võib põhjustada silma- ja nahavigastusi. Allaneelamisel on see mürgine.
- Kaitske akut niiskuse ja vee vastu. Ärge laadige akut niiskes või märjas kohas. Selle juhise järgimine vähendab elektrilöögi, tulekahju ja raske kehavigastuse ohtu.
- Aku vigastamise või ebaõige kasutamise korral võib eralduda gaase. Kaebuste korral

minge värske õhu kätte ja kutsuge arstiabi. Gaasid võivad ärritada hingamissüsteemi.

- Ärge jätke akupaketti sõidukisse kuuma või külma kätte.
- LIITIUM-IOONAKUT võib kasutada temperatuuril kuni -20°C . Ühendage akupakett masinale ja kasutage masinat madalal koormusel. Pärast ühe minuti möödumist on akupakett üles soojenenud ja seda võib tavaviisil kasutada.
- Ärge püüdke akut põletamise teel hävitada. Kui aku kasutusaeg on ületanud kasutusea, utiliseerige see vastavalt kasutuskohal kehtivatele eeskirjadele.
- Aku vale kasutamise korral võib akuvedelik välja voolata - vältige sellega kokkupuudet. Akuvedeliku nahale sattumisel peske see veega maha. Akuvedeliku silma sattumisel pöörduge arsti poole. Väljapritsvitud akuvedelik võib tekitada nahaärritust või -põletust.

AKUTOITEGA LUMEPUHURI OHUTUS-REEGLID

- Ärge pange oma käsi või jalgu pöörlevate osade alla või lähedusse.
- Seadmega töötamisel jälgige tööpiirkonda ja kasutage sealjuures tervet mõistust. Hetkeline tähelepanu hajumine seadme kasutamise ajal võib põhjustada raske kehavigastuse.
- Töötades kivistel teedel, radadel ja tänavatel olge väga ettevaatlik. Olge tähelepanelik varjatud ohtude ja liikluse suhtes.
- Ärge kunagi kasutage masinat kõrge transpordi kiirus libedal teel. Ole ettevaatlik tagurdamisel.
- Ärge suunake väljalaskerenni inimeste poole ega lubage kellelgi viibida masina ees.
- Ärge puhastage lund piki nõlva. Olge ülimalt ettevaatlik, kui muudate kallakul olles suunda. Ärge püüdke puhastada järskusid nõlvasid.
- Ärge kasutage seadet ilma ettenähtud kaitsete, suunaplaatide või turvaseadisteta.
- Ärge puhastage lund klaasist katete, autode, akende ja läbikäikudes ilma, et lume väljaheiterenn pole vastavalt seadistatud. Hoidke kõrvalseisjad, eriti lapsed ja lemmikloomad kääride tööalalt

eemal.

- Ärge jätke kunagi töötava mootoriga masinat mingile muule pinnale kui lumest puhastatud maapind. Kruus, liiv ja muu praht võib õhuvooluga üles tõusta ja välja paiskuda kõrvalseisjate suunas ja põhjustada raskeid kehavigastusi.
- Ärge koormake masinat üle võimete, et puhastada lund suurel kiirusel.
- Kasutage masinat hästivalgustatud kohtades ja jälgige takistusi ning arvestage autode tuledest tekkivat pimestamisohtu.
- Ärge kasutage seadet kui on äikese oht.
- Hoidke alati puisteavast eemal. Ärge pange avadesse mingeid esemeid.
- Ärge kasutage muruniidukit plahvatusohtlikes keskkondades, näiteks kergestiüttivate vedelike ja gaaside läheduses ega tolmu kohas.
- Hoidke kindlat jalgade asendit ja tasakaalu. Ärge kummardage. Kummardamine võib põhjustada tasakaalu kadumist.
- Kallakul töötamisel tagage endale kindel jalgealune, ärge liikuge ega tehke kiireid liigutusi.
- Ärge püüdke seadme konstruktsiooni mingil viisil muuta ega kasutage varuosi või tarvikuid, mis pole tootja poolt soovitatud.
- Ärge kunagi püüdke teha mingeid muudatusi, kui mootor töötab, välja arvatud juhul ei soovita konkreetselt tootja.

⚠ HOIATUS

Kui seade on maha kukkunud, saanud tugeva löögi või hakkab ebanormaalselt vibreerima, seisake seade viivitamatult ja kontrollige see üle vigastuste suhtes. Kõik vigastused tuleb lasta volitatud hooldustöökojas parandada või asendada.

- Pöörlevate osadega kokkupuutumisest tingitud kehavigastuste vähendamiseks seisake seade, eemaldage akupakett ja veenduge liikuvate osade seiskumises.
 - enne puhastamist ja ummistuse kõrvaldamist
 - seadme jätmine järelevalveta
 - enne seadme kontrollimist, hooldamist ja sellega töötamist.
 - pärast kokkupuutumist võõrkehaga, et seade vigastuste suhtes üle kontrollida

- kui muruniiduk hakkab ebanormaalselt vibreerima (kontrollige viivitamatult).

KASUTUSJUHISED

- Masin ei tööta kui ülemine käepide pole nõuetekohaselt kinnitatud ja käepideme lukusti pole turvaliselt kinnitunud. Masinal on kaks blokeeringut, mis väldivad juhuslikku käivitumist kui masin pole õigesti kokku pandud.
- Enne masinaga töötamise alustamist tehke kindlaks tuule suund. Suunake lumi tuule suunas, et vältida selle tagasipuhumist vastu teie nägu.
- Pärast töö lõpetamist laske mootoril veel mõni minut töötada, seejärel keerake väljalaskerenn tagasi ja ette mitu korda, et eemaldada väljalaskerennist kogu järelejäänud lumi.

TRANSPORTIMINE JA HOIUSTAMINE

- Enne hoiule panekut või teisaldamist võtke ära akupakett ja laske maha jahtuda.
- Puhastage seade kõikidest võõrkehadest. Hoidke kuivas ja hästi ventileeritud kohas, mis on lastele juurdepääsmatu. Hoidke kettsaagi eemal söövitavatest ainetest nagu aiakemikaalid ja jäätõrjevahendid. Ärge hoiustage õues.
- Vedamise ajal tõkestage masin liikuma hakkamise ja alla kukkumise vastu, et vältida kehavigastusi ja masinaosade kahjustamist.

HOOLDUS

⚠ HOIATUS

Kasutage ainult tootja originaalvaruosi, tarvikuid ja tööorganeid. Selle nõude eiramine võib põhjustada, kehavigastuse, tootluse languse ja teile antud garantii tühistamise.

⚠ HOIATUS

Hooldamine nõuab ülimalt korrashoidu ja teadmisi ning tuleks teostada ainult kvalifitseeritud hooldustehnikute poolt. Pöörduge volitatud hoolduskeskuse poole. Kui hooldate, kasutage ainult identseid varuosi.

- Lubatud on teha ainult selles kasutusjuhendis kirjeldatud reguleerimis- ja parandustoiminguid. Muude remonditööde tegemiseks võtke ühendust volitatud hooldajaga.
- Pühkige trimmer pärast iga kasutuskorda pehme kuiva lapiga puhtaks.
- Kontrollige kõiki mutreid, polte ja kruvisid sagedaste intervallidega õige pinguleoleku suhtes, et veenduda toote ohutus töökorras olemises. Vigastatud osad tuleb lasta pädeval hooldajal parandada või asendada.

UMMISTUSE KÕRVALDAMINE

⚠ HOIATUS

Ärge pange mingil juhul oma käsi või jalgu masina ette või väljalaskerenni ette, et vältida raskeid kehavigastusi.

- Vabastage päästik ja eemaldage akupakett.
- Veenduge, et kõik masina liikuvad osad on täielikult seiskunud:
- Ummistuse kõrvaldamiseks kasutage puitkeppi.
- Keerake tiivikut puitkepi abil.
- Olge ettevaatlik, sest ummistuse korral võib tiivik salvestunud energia vabanemisel liikuma hakata.
- Niipea kui tiivikut saab puitkepiaga pöörata, minge tagasi masina taha.
 - Tiiviku astmeline liikumine on normaalne nähtus.
- Veenduge, et lumekoristuse jätkamine on ohutu.
- Paigaldage akupakett. Lülitage masina toide sisse.

JÄÄKRISKID

Isegi siis, kui masinat kasutatakse kirjeldatud viisil, ei ole võimalik kõrvaldada kõiki jääkriskide mõjureid. Töötamise ajal võivad tekkida järgmised ohud, millele operaator peab pöörama erilist tähelepanu.

- Mürast põhjustatud vigastus
 - Kandke kuulmiskaitsevahendeid ja piirake müraga kokkupuudet.
- Kehavigastus, mis on põhjustatud tiivikuga

välja paisatavatest esemetest masina esiosas või väljalaskerennist.

- Kandke alati nõuetekohaseid silmakaitsevahendeid.

ÕPPIGE OMA TOODET TUNDMA

Vt leht 133.

1. Ülemine käepide
2. „Sisse/välja“-päästik
3. Päästiku lukusti avamise nupp
4. Mootori juhtimiskaabel
5. Renni pööramise hoob
6. Käepideme lukusti fiksaator
7. Renni pööramise võll
8. Renni suunaja käepide
9. Renni suunaja
10. LED-märgutuled
11. Tiivik
12. Vahehoob
13. Juhtraua reguleernupp
14. Alumine käepide
15. Kande-/tõstekäepide
16. Aku hoiustamispesa
17. Aku tööpesa
18. Aku paketiiga
19. Akulaadija

MASINAL OLEVAD SÜMBOLID



Enne seadmega töö alustamist lugege kõik juhised hoolikalt läbi ja pidage kinni hoiatustest ja ohutusega seotud juhistest.



Hoiduge ülespaisatud ja lendavate esemete eest. Hoidke kõik kõrvalseisjad, eriti lapsed ja lemmikloomad tööalalt vähemalt 15 meetri kaugusele.



Kandke silmakaitsevahendeid



OHT! Vältige enda vigastamist pöörleva tiivikuga. Hoidke käed, jalad ja riietus eemal.



OHT! Eemaldage aku ja enne ummistuse kõrvaldamist lugege vastavaid juhiseid kasutusjuhendist. Hoidke käed ja jalad masina esiosast ning väljalaskerennist eemal.



Mittekasutatavaid elektrotooteid ei tohi visata olmejäätmete hulka. Vaid tuleb viia vastavasse kogumispunkti. Vajadusel küsige sellekohast nõu oma edasimüüjalt või vastavalt kohaliku omavalitsuse institutsioonilt.



Vastab kõigile eeskirjadele EL-i liikmesriigis, kus toode on ostetud.



Euraasia vastavusmärk



Ukraina vastavusmärgis



Garanteeritud helivõimsuse tase on 86 dB



Vajutage ja hoidke all



Hoidke töötamise ajal all



Aku hoiustamispesa



Aku tööpesa

Järgnevad märksõnad ja selgitused on mõeldud selle toote kasutamisega seotud riskitasemete kirjeldamiseks.

OHT.

Viitab kohe tekkivale ohtlikule situatsioonile, mis, kui ei väldita, lõpeb surma või tõsise vigastusega.

HOIATUS

Viitab võimalikule ohtlikule situatsioonile, mis, kui ei väldita, võib lõppeda surma või

tõsise vigastusega.

ETTEVAATUST

Viitab võimalikule ohtlikule situatsioonile, mis, kui ei väldita, võib lõppeda väiksemate või keskmiste vigastusega.

ETTEVAATUST

Ilma hoiatussümbolita

Osutab olukorrale, mis võib põhjustada varakahju.

KASUTUSJUHENDI SÜMBOLID



Eraldi ostetavad osad või tarvikud



Märkus



Hoiatus



Lukk



Lahtikeeramine

U razvoju ovog bežičnog razgrtača snijega dati su maksimalni prioriteti sigurnosti, performansama i pouzdanosti.

NAMJENA

Bežični razgrtač snijega namijenje je za korištenje samo na otvorenom dobro osvijetljenom području od strane operatera koji hoda iza proizvoda. Ova bežični razgrtač snijega je za korištenje samo od strane odraslih osoba koje su pročitale i razumiju upute i upozorenja u ovom priručniku te se mogu smatrati odgovornim za svoje radnje. Zbog sigurnosnih razloga, proizvod mora biti adekvatno upravljani pomoću dvije ruke u svakom trenutku.

Proizvod je namijenje za čišćenje snijega u područjima poput prilaznih putova, pločnika, nogostupaa, cesta i područja oko kuća. Proizvod može micati snijeg dubine do 25 cm. proizvod nikada ne smije raditi s podignutim kotačim od tla. Ne smije se voziti na njemu. Proizvod treba koristiti samo na način opisan u ovom priručniku i ne smije se koristiti u druge svrhe.

OPĆA SIGURNOSNA PRAVILA

⚠ UPOZORENJE

Prilikom korištenja proizvoda moraju se slijediti sigurnosna pravila. Radi vaše i sigurnosti ostalih promatrača, molimo vas da prije rada s proizvodom pročitate ove upute. Molimo vas da čuvate ove upute radi kasnijeg korištenja.

⚠ UPOZORENJE

Uređaj treba raditi samo s baterijom. Prilikom korištenja AKU uređaja, uvijek se valja pridržavati osnovnih mjera opreza kako biste smanjili opasnost od požara, curenja baterija i osobnih ozljeda.

OBUKA

- Pročitajte i razumite upute i sigurnosna upozorenja. Upoznajte se s upravljačkim elementima i pravilnim korištenjem proizvoda.
- Nikada ne dopustite djeci ili osobama sa smanjenim fizičkim, osjetilnim ili mentalnim mogućnostima ili osobama koje nisu

upoznate s ovim uputama da rade, čiste ili oražavaju ovaj proizvod. Moguće je da lokalni propisi propisuju starosnu dob rukovatelja. Djecu je potrebno odgovarajuće nadzirati kako bi se osiguralo da se ne igraju s proizvodom.

- Imajte na umu da je rukovatelj ili korisnik odgovoran za nezgode ili opasnosti koje nastanu drugim osobama ili njihovoj imovini.
- Držite promatrače, djecu i kućne ljubimce 15m dalje od područja rada. Zaustavite proizvod ako bilo tko uđe u područje rada.
- Nemojte raditi s proizvodom kad ste umorni, bolesni ili pod utjecajem alkohola, droga ili lijekova.
- Budite oprezni kako bi izbjegli klizanje ili pada, pogotovo kada se radi u obrnutom smjeru.

PRIPREMA

- Temeljito provjerite područje gdje će se uređaj koristiti i uklonite sve sanjke, ploče, žicu i druge strane predmete.
- Tijekom rada s uređajem uvijek nosite odgovarajuću zimsku odjeću i obuću protiv klizanja. Izbjegavajte nositi odjeću koja je labava ili s nje visi konop ili kravata, oni se mogu zahvatiti u pokretne dijelove.
- Osigurajte dugu kosu na način da je iznad razine ramena kako biste spriječili zahvaćanje u pokretne dijelove.
- Cijelo vrijeme nosite potpunu zaštitu za oči. Proizvođač izričito predlaže masku na cijelom licu ili potpuno zatvorene naočale. Obične naočale ili sunčane naočale nisu adekvatna zaštita. Predmeti mogu biti odbačeni velikom brzinom i mogu se odbiti od tvrdih površina prema operateru. Za odgovarajuće uvjete mora se koristiti maska za prašinu, kaciga ili zaštita za sluh.
- Osigurajte prije svakog korištenja da svi upravljački elementi i sigurnosni uređaji pravilno funkcioniraju. Ne koristite alat ako sklopka „isključeno“ ne zaustavlja proizvod.
- Prije svakog korištenja, uvijek vizualno provjerite da vidite je li kućište oštećeno, te da su štitnici i ručke pravilno postavljeni i pričvršćeni.
- Za zamjenu oštećenih ili nečitljivih naljepnica vratite proizvod u ovlaštenu servisni centar.

- Neka se uređaj prilagodi vanjskim temperaturama prije pokretanja za čišćenje snijega.

KORIŠTENJE I BRIGA O AKU ALATU

- Pročitajte, razumite i uvijek slijedite sigurnosne upute koje dolaze s baterijom i punjačem. Nepoštivanje ovog upozorenja može rezultirati električnim udarom, požarom ili drugim opasnim situacijama. Držite sve upute zajedno na sigurnom mjestu za buduće korištenje.
- AKU alate nije potrebno priključivati u električne utičnice, stoga su uvijek u radnom stanju. Uklonite bateriju prije izvođenja svih podešavanja, čišćenja ili uklanjanja materijala iz uređaja.
- Baterija se mora puniti samo s punjačem specificiranim od proizvođača. Korištenje punjača s nekompatibilnom baterijom može izazvati opasnost od požara. Koristite samo s punjačem navedenim u uputama.
- Koristite samo baterije posebno namijenjene za uređaj. Korištenje bilo kojih drugih baterija može dovesti do opasnosti od požara, strujnog udara ili ozljeda osoba.
- Kada se baterija ne koristi držite je dalje od drugih metalnih predmeta kao što su spjalice za papir, kovanice, ključevi, čavli, vijci ili drugi mali metalni predmeti koji mogu spojiti jedan pol na drugi. Kratki spoj polova baterije može izazvati iskre, opekotine, požar ili eksploziju.
- Ne postavljajte uređaje na baterije ili njihove baterije pored plamena ili topline. Ovo će povećati opasnost od eksplozije i moguće ozljede.
- Nemojte otvarati ili oštećivati bateriju. Oslobođeni elektroliti su korozivni i mogu dovesti do oštećenja očiju ili kože. Ako se proguta može biti otrovno.
- Zaštitite bateriju od vlage i vode. Ne punite uređaj u vlažnim ili mokrim mjestima. Tako ćete smanjiti opasnost od požara, strujnog udara ili tjelesnih ozljeda.
- U slučaju oštećenja ili nepravilnog korištenja baterije, može doći do ispuštanja pare. Izidite na svjež zrak i potražite liječničku pomoć u slučaju poteškoća. Pare mogu nadražiti respiratorni sustav.
- Nemojte ostavljati bateriju u vozilu tijekom toplih ili hladnih vremenskih uvjeta.

- LITHIUM-ION baterija može se koristiti u temperaturama do -20°C . Postavite bateriju na proizvod i koristite proizvod kod lakih radova. Nakon minute, baterija se zagrijava i započinje s normalnim radom.
- Nemojte spaljivati bateriju. Kada istekne vijek trajanja baterije, odložite je pravilno i prema lokalnim propisima za vaše područje.
- Pod uvjetima loma može doći do izbacivanja tekućine iz baterije, izbjegavajte kontakt. Ako dođe do nehotičnog kontakta, isperite to mjesto s vodom. Ako tekućina dospije u oči, dodatno potražite liječničku pomoć. Tekućina koja istječe iz baterije može dovesti do iritacije ili opekotina.

SIĞURNOSNA PRAVILA VEZANO ZA BE-ŽIČNI RAZGRTAČ SNIJEGA

- Nemojte stavljati ruke ili stopala blizu ili ispod rotirajućih dijelova.
- Budite na oprezu, gledajte to što radite i pri radu s jedinicom koristite zdrav razum. Trenutak nepažnje pri radu s proizvodom može dovesti do teških osobnih ozljeda.
- Budite izrazito oprezni prilikom rada na ili prilikom prelaska cesta, putova ili prometnica. Budite oprezni vezano za skirvene opasnosti ili promet.
- Nikada nemojte koristiti stroj pri visokim brzinama prijevoza na skliskim površinama. Budite oprezni prilikom vožnje unatrag.
- Nikada nemojte izravno čistiti u promatrače ili dati nekom ispred proizvoda.
- Nemojte čistiti snijeg preko kosina. Posebnu pozornost obratite kada mijenjate smjer na kosini. Nemojte pokušavati čistiti prevelike kosine.
- Nikada nemojte raditi s proizvodom bez pravilno postavljenih štitnika, ploča ili drugih sigurnosnih zaštitnih uređaja.
- Nikada nemojte raditi s uređajem pored stakla, automobila, prozora ili prolaza bez pravilno podešenog kuta izbacivanja snijega. Držite sve promatrače dalje od radnog područja, posebice djecu i kućne ljubimce.
- Nikada ne postavljajte proizvod na nikakvu površinu, osim čvrste čiste površine, kada motor radi. Šljunak, pijesak i druge krhotine mogu se podići ulaskom zraka i odbaciti na operatera ili promatrače, uzrokujući



moguće teške ozljede.

- Nemojte preopteretiti kapacitet uređaja pokušavajući brzo očistiti snijeg.
- Koristite stroj u dobro osvijetljenom prostoru i pazite na prepreke ili opasnosti osvijetljene svijetlima uređaja.
- Nemojte raditi s proizvodom kada postoji opasnost od grmljavinskog nevremena.
- Neka je otvor za pražnjenje uvijek slobodan. Ne gurajte nikakve predmete u otvore.
- Nemojte rukovati uređajem u eksplozivnim atmosferama u kojima su prisutne zapaljive tekućine, plinovi ili prašina.
- Zauzmite čvrst stav i ravnotežu. Ne sežite preko određene granice. Seznanje preko određene granice može imati za posljedicu gubitak ravnoteže.
- Uvijek se čvrsto uprite na kosinama i hodajte, nikada ne trčite.
- Nemojte modificirati uređaj ni na koji način ili koristiti dijelove ili dodatni pribor koje nije preporučio proizvođač.
- Nikad ne pokušavajte raditi bilo kakve prilagodbe dok motor radi, osim kada je posebno preporučio proizvođač.

▲ UPOZORENJE

Ako je proizvod ispao, pretrpio težak udar ili abnormalno vibrira, odmah zaustavite proizvod i provjerite na oštećenje ili identificirajte uzrok vibracija. Svaki oštećeni dio trebao bi pravilno popraviti ili zamijeniti ovlaštenu servisnu centar.

- Za samnjenje opasnosti od povreda povezanih s dodiranjem rotirajućih dijelova, uvijek zaustavite proizvod, uklonite bateriju, provjerite da su svi pokretni dijelovi zaustavljeni:
 - prije čišćenja i odblokiranja
 - kada ostavljate proizvod bez nadzora
 - prije provjere, održavanja ili rada na uređaju
 - nakon odbacivanja nepoznatog predmeta; provjerite uređaj na oštećenja
 - ako uređaj počne abnormalno vibrirati (odmah provjerite)

SAVJETI ZA RAD

- Proizvod neće raditi ako gornja ručka nije pravilno postavljena, a klin ručke za zaključavanje nije sigurno postavljen. Postoje dvije sigurnosne blokade za pomoć u sprječavanju slučajnog pokretanja kada uređaj nije pravilno sklopljen.
- Imajte na umu smjer vjetra prije rada s uređajem. Izbacujte snijeg u istom smjeru kao i vjetar kako biste spriječili da se snige vraća na površinu.
- Kada završite, pustite motor da radi dodatnih nekoliko minuta, a zatim okrenite ručicu rotacije lijevka natrag i naprijed nekoliko puta kako biste uklonili sva preostala snige iz lijevka.

PRIJEVOZ I SKLADIŠTENJE

- Zaustavite uređaj, uklonite bateriju i omogućite alatu da se ohladi prije spremanja ili transporta.
- Očistite svaki strani materijal s uređaja. Skladištite ga na suhom i dobro ventiliranom mjestu koje nije pristupačno djeci. Nemojte ju ostavljati u blizini korozivnih agenasa kao ni vrtnih kemijskih proizvoda i soli za odmrzavanje. Ne ostavljajte na otvorenom.
- Za prijevoz, osigurajte uređaj protiv pomicanja ili pada kako biste spriječili povrede osoba ili oštećenja na uređaju.

ODRŽAVANJE

▲ UPOZORENJE

Koristite samo originalne zamjenske dijelove, dodatni pribor i priključke od proizvođača. Nepoštivanje ovih uputa može dovesti do mogućih ozljeda, loše učinkovitosti i može dovesti do poništenja jamstva.

▲ UPOZORENJE

Servisiranje iziskuje krajnju pažnju i znanje i treba da ga vrši samo kvalificirani serviser. Vratite proizvod u ovlaštenu servisnu centar. Prilikom servisiranja koristiti identične zamjenske dijelove.

- Možete izvršiti podešavanja i popravke koji su opisani u ovom priručniku. Za druge popravke, obratite se ovlaštenom



servisnom agentu.

- Nakon svakog korištenja proizvod obrišite sa suhom mekom krpom.
- Često provjeravajte sve matice i zavrtnje da li su dobro pritegnuti kako biste bili sigurni da je proizvod u sigurnom radnom stanju. Svaki oštećeni dio trebao bi pravilno popraviti ili zamijeniti ovlašteni servisni centar.

ČIŠĆENJA BLOKADA

⚠ UPOZORENJE

Nikada ne stavljajte ruke ili noge u prednji dio proizvoda ili lijevka za pražnjenje, kako biste izbjegli ozbiljne ozljede.

- Otpustite sklopku za pokretanje i uklonite bateriju.
- Provjerite da su svi pokretni dijelovi zaustavljeni.
- Koristite drvenu granu za uklanjanje blokade.
- Okrenite sklop propelera korištenjem drvene grane.
- Pazite, propeler se može pomicalo samostalno tijekom uklanjanja blokade zbog spremljene energije u mehanizmu.
- Kada se propeler može okretati drvenom granom, gurnite ga u stražnji dio proizvoda.
 - Normalno je da mehanizam propelera ima stupnjevito pomicanje.
- Provjerite je li sigurno nastaviti s čišćenjem snijega.
- Ugradite novu bateriju. Uključite uređaj.

OSTALE OPASNOSTI:

Čak i kad je uređaj korišten kao što je prethodno opisano, još uvijek nije moguće potpuno isključiti ostale čimbenike opasnosti. Može doći do sljedećih opasnosti prilikom korištenja i operater mora obratiti posebnu pozornost kako bi izbjegao sljedeće:

- Ozljede uzrokovane bukom
 - Nosite zaštitu za sluh i ograničite izloženost.
- Ozljede od letećih objekata bačenih u zrak i naprijed s rotirajućim propelerom na prednjoj strani uređaja ili iz lijevka za pražnjenje.

- Cijelo vrijeme nosite odgovarajuća sredstva za zaštitu očiju.

UPOZNAJTE SVOJ PROIZVOD

Pogledajte stranicu 133.

1. Gornja ručka
2. Sklopka za Uklj./isklj. (ON/OFF)
3. Gumb za sigurnosno blokiranje
4. Kabel upravljanja motorom
5. Ručica rotacije lijevka
6. Klin ručke za zaključavanje
7. Osovina za rotaciju lijevka
8. Ručka deflektora lijevka
9. Deflektor lijevka
10. LED svjetla
11. Propeler
12. Srednja ručka
13. Gumb za podešavanje ručke
14. Spuštanje ručke
15. Ručka za nošenje/podizanje
16. Odjeljak za spremanje baterije
17. Odjeljak baterije koja se koristi
18. Baterija
19. Punjač za baterije

SIMBOLI NA PROIZVODU



Pročitajte i razumite sve upute prije rada s proizvodom, slijedite sva upozorenja i sigurnosne upute.



Čuvajte se odbačenih ili letećih predmeta. Držite sve promatrače naročito djecu i kućne ljubimce, na udaljenosti najmanje 15 m od radnog područja.



Nosite sredstva za zaštitu očiju



OPASNOST! Izbjegavajte ozljede od rotirajućeg propelera. Držite ruke, stopala i odjeću dalje.



OPASNOST! Uklonite bateriju i pročitajte upute u priručniku prije čišćenja blokade. Držite ruke i stopala dalje od prednjeg dijela uređaja i trake za pražnjenje.



Otpadni električni proizvodi ne treba da se odlažu s otpadom iz domaćinstva. Molimo da reciklirate gdje je to moguće. Potražite savjet od lokalnih vlasti ili prodavca kako reciklirati.



Ovaj alat usklađen je sa svim normama i propisima zemlje Europske unije u kojoj je kupljen.



EurAsian znak konformnosti



Ukrajinska oznaka za sukladnost



Jamčena razina zvučne snage 86 dB.



Gurnite i držite



Stisnite i držite za rad



Odjeljak za spremanje baterije



Odjeljak baterije koja se koristi

Sljedeće signalne riječi i značenja namijenjeni su objašnjenju razina opasnosti koje su vezane uz ovaj proizvod:

⚠ OPASNOST

Ukazuje na neposrednu opasnu situaciju, koja, ukoliko se ne izbjegne, može rezultirati smrću ili opasnim povredama

⚠ UPOZORENJE

Ukazuje na moguću opasnu situaciju, koja, ukoliko se ne izbjegne, može rezultirati

smrću ili opasnim povredama

⚠ UPOZORENJE

Ukazuje na moguću opasnu situaciju, koja, ukoliko se ne izbjegne, može rezultirati manjim ili blažim povredama

UPOZORENJE

Bez sigurnosnog simbola upozorenja
Naznačuje situaciju koja može rezultirati oštećenjem imovine.

SIMBOLI U OVOM PRIRUČNIKU



Dijelovi ili pribor prodan odvojeno



Napomena



Upozorenje



Brava



Otključavanje

Varnost, zmogljivost in zanesljivost so bile najpomembnejše lastnosti pri oblikovanju vaše brezžične snežne freze.

NAMEN UPORABE

Brezžična snežna freza je namenjena le zunanji uporabi, na dobro osvetljenem območju in z operaterjem, ki hodi za izdelkom. To brezžično snežno frezo je namenjeno odraslim, ki so prebrali in razumejo navodila in opozorila v tem priročniku in ki so odgovorni za svoja dejanja. Iz varnostnih razlogov morate izdelek v vsakem trenutku imeti pod nadzorom z obema rokama.

Izdelek je oblikovan za čiščenje snega na območjih, kot so dovozi, pločniki, prehodi, poti, cestišča in v okolici hiš. Izdelek lahko odstrani sneg v višini do 25 cm.

Izdelka nikoli ne smete upravljati tako, da so kolesa dvignjena od tal. Vedno se mora voziti na kolesih. Izdelek uporabljajte samo, kot je opisano v teh navodilih, in ga ne uporabljajte za kakršen koli drug namen.

SPLOŠNA VARNOSTNA PRAVILA

⚠ OPOZORILO

Med uporabo stroja upoštevajte varnostna navodila. Za svojo varnost in varnost drugih oseb preberite ta navodila pred uporabo izdelka. Prosimo, shranite ta navodila za kasnejšo rabo.

⚠ OPOZORILO

Izdelek lahko uporabljate le z baterijskim paketom. Pri uporabi naprave z baterijo vedno upoštevajte osnovne varnostne ukrepe, da zmanjšate tveganje za požar, puščanje baterij in telesne poškodbe.

URJENJE

- Preberite in se prepričajte, da razumete navodila za uporabo in varnostna opozorila. Seznanite se s krmilnimi elementi in pravilno uporabo izdelka.
- Otrokom in osebam z zmanjšanimi fizičnimi, senzoričnimi ali duševnimi zmoglostmi ter osebam, ki niso seznanjene s temi navodili, nikoli ne dovolite uporabljati, čistiti ali vzdrževati izdelka. Lokalni predpisi se morda nanašajo tudi na minimalno starost

upravitelja. Otroke nenehno primerno nadzorujte, da se ne bodo igrali z napravo.

- Pomnite, da je upravitelj oz. uporabnik odgovoren za nesreče ali nevarnosti, ki se pripetijo ostalim ljudem ali njihovi lastnini.
- Prisotni, otroci in živali naj bodo vsaj 15m oddaljeni od delovnega območja. Ugasnite izdelek, če kdo vstopi v območje.
- Izdelka nikoli ne uporabljajte, če ste utrujeni, bolni ali pod vplivom alkohola, drog ali zdravil.
- Previdni, da se prepreči zdrsa ali padca, še posebej, če deluje v obratnem vrstnem redu.

PRIPRAVA

- Temeljito preglejte območje, kjer boste uporabljali napravo in odstranite vse predpražnike, sani, deske za deskanje na snegu, žice in druge tujke.
- Med upravljanjem naprave vedno nosite primerna zimska oblačila in nedrsečo varnostno obutev. Izogibajte se nošenju ohlapnih oblačil ali oblačil z odstopajočimi dodatki, saj se lahko ujamejo med premične dele.
- Dolge lase si spnite nad rameni in tako preprečite njihovo ujetje v premikajoče se dele.
- Med celotnim upravljanjem tega izdelka vedno nosite popolno zaščito za oči. Proizvajalec močno priporoča ščitnik za celotni obraz in popolnoma zaprta očala. Navadna očala ali sončna očala niso zadostna zaščita. Sneg lahko leti z visoko hitrostjo in se lahko odbije od trdih površin proti operaterju naprave. V primernih razmerah mora operater uporabljati masko za prah, čelado ali zaščito za sluh.
- Pred vsako uporabo zagotovite, da vse kontrole in varnostne naprave delujejo pravilno. Orodja ne uporabljajte, če stikalo za izklop ne ustavi izdelka.
- Pred vsako uporabo vedno vizualno preverite, da je ohišje nepoškodovano in da so varovala in ročaji na mestu in pravilno pritrjeni.
- Izdelek prinesite k pooblaščenemu servisnemu centru za zamenjavo uničenih ali nečitljivih nalepk.
- Pred začetkom čiščenja snega, pustite, da se naprava prilagodi zunanjim temperaturam.

UPORABA IN VZDRŽEVANJE BATERIJSKEGA ORODJA

- Varnostna navodila, priložena bateriji in polnilniku, morate prebrati, jih razumeti in vedno upoštevati. Če tega ne storite, lahko pride do električnega udara, požara ali drugih nevarnih situacij. Vsa navodila hranite skupaj na varnem mestu za bodočo referenco.
- Baterijskih orodij ni potrebno vključiti v električno vtičnico, zato so vedno v stanju delovanja. Pred nastavljanjem, čiščenjem ali odstranjevanjem materiala iz enote iz nje odstranite baterijo.
- Baterijo lahko napolnite samo s polnilnikom, ki ga določa proizvajalec. Če polnilnik uporabite z nezdružljivo baterijo, lahko pride do požara. Uporabljajte samo polnilec, naveden v navodilih za uporabo.
- Uporabljajte samo baterijo, ki je posebej izdelana za to napravo. Uporaba drugih baterij lahko povzroči požar, električni udar ali telesne poškodbe.
- Ko baterije ne uporabljate, pazite, da bo odmaknjena od kovinskih predmetov, kot so papirne sponke, kovanci, ključi, žebliji, vijaki ali drugih majhni kovinski predmeti, ki bi lahko povzročili povezavo med obema terminaloma. Združitve dveh različnih naelektrenih baterijskih priključkov lahko povzroči iskrice, opekline, ogenj ali eksplozijo.
- Baterijskih izdelkov ali baterij ne postavljajte v bližino ognja ali vročine. To poveča tveganje za eksplozijo in možnost poškodbe.
- Baterije ne odpirajte in je ne poškodujte. Sproščeni elektroliti so korozivni in lahko poškodujejo oči ali kožo. Lahko so strupeni, če jih zaužijete.
- Baterijo zaščitite pred vlago in vodo. Baterij ne polnite v vlažnih ali mokrih pogojih. Če boste ravnali tako, boste zmanjšali možnost električnega udara, požara in resnih telesnih poškodb.
- V primeru poškodbe in napačne rabe baterije lahko pride do hlapenja. Poskrbite, da bo zrak čist, v primeru težav pa poiščite zdravniško pomoč. Hlapi lahko dražijo dihalni sistem.
- Baterijskega paketa ne pustite v vozilu v vročini ali mrazu.

- Akumulatorski sklop LITHIUM-ION lahko uporabljate pri temperaturah do -20°C . Akumulatorski sklop namestite na proizvod in ga uporabljajte za lahke naloge. Po približno eni minuti se bo baterija ogrela in začela normalno delovati.
- Baterije ne sežigajte. Ko bateriji poteče življenjska doba jo pravilno odvrzite, v skladu s predpisi na vašem območju.
- Ob zlorabi baterije lahko iz nje steče tekočina. Če se po nesreči dotaknete tekočine, mesto dotika sperite z vodo. Če pride tekočina v stik z očmi, poiščite zdravstveno pomoč. Tekočina, ki izteče iz baterije, lahko povzroči vnetje ali opekline.

VARNOSTNA PRAVILA ZA BREŽIČNO SNEŽNO FREZO

- Roke in stopala držite stran od vrtečih se delov.
- Med uporabo enote bodite pozorni, spremljajte potek dela in uporabljajte zdrav razum. Trenutek nepazljivosti med uporabo izdelka lahko privede do resnih telesnih poškodb.
- Bodite izjemno previdni pri prečkanju gramoznih dovozov, poti ali cestišč z napravo. Bodite pozorni na skrite nevarnosti ali promet.
- Nikoli ne uporabljajte stroja pri visokih hitrostih prometa na spolzkih površinah. Bodite previdni pri vzvratni vožnji.
- Nikoli ne odmetavajte snega v mimoidoče ali to dovolite osebi pred napravo.
- Snega ne čistite na pobočjih. Pri menjavanju smeri na pobočjih bodite še posebej previdni. Ne poskušajte očistiti strmih pobočij.
- Naprave nikoli ne upravljajte brez primernih ščitnikov, obleke in drugih varnostnih naprav na določenih mestih.
- Nikoli ne uporabljajte naprave v bližini steklenih ograd, avtomobilov, oken ali vhodov brez primerne nastavitve kota izmeta. Vsi opazovalci morajo stati proč od delovnega območja, še posebej otroci in domače živali.
- Ko je naprava v teku, je nikoli ne postavite na katero koli površino, razen na trdo in čisto površino. Zračni dovod lahko pobere gramoz, pesek ali druge delce in jih vrže v operaterja naprave ali mimoidoče.



- To lahko povzroči resne poškodbe. Naprave ne preobremenjujte s prehitrim čiščenjem snega.
- Napravo uporabljajte na dobro osvetljenem območju in bodite pozorni na ovire ali nevarnosti, ki jih osvetlijo žarometi naprave.
- Izdelka ne uporabljajte v primeru pojava nevihte.
- Ne približujte se odprtini za praznjenje. V odprtine ne postavljajte nobenih predmetov.
- Naprave ne uporabljajte v eksplozivnih okoljih, npr. v bližini vnetljivih tekočin, plinov ali prahu.
- Pazite na ravnotežje in ne pretiravajte. Nesiahajte priliš daleko. Pretiravanje lahko povzroči izgubo ravnotežja.
- Vedno trdno stojite na neravnih površinah in hodite, nikoli ne tecite.
- Na noben način ne spreminjajte naprave ter ne uporabljajte delov in dodatkov, ki jih ne priporoča proizvajalec.
- Nikoli ne poskušajte narediti kakršne koli prilagoditve, medtem ko motor deluje, razen kadar jo proizvajalec posebej priporoča.

⚠ OPOZORILO

Če izdelek pade, močno trči ali začne nenormalno vibrirati, ga nemudoma zaustavite in preverite, ali je poškodovan oziroma poiščite vzrok vibriranja. Vsakršno poškodbo mora ustrezno popraviti ali zamenjati pooblaščen servisni center.

- Za zmanjšanje nevarnosti poškodb, ki lahko nastanejo z dotikanjem vrtečih delov, vedno ustavite napravo, odstranite baterijski paket in se prepričajte, da so se ustavili vsi premikajoči deli:
 - pred čiščenjem ali odstranjevanjem blokade
 - ko pustite izdelek brez nadzora
 - pred preverjanjem in vzdrževanjem izdelka ali delom na njem
 - ko zadenete tujek, preverite, ali je izdelek poškodovan
 - če izdelek začne nenormalno vibrirati (preverite nemudoma).

NASVETI ZA UPRAVLJANJE

- Izdelek ne bo deloval, če zgornja ročica ni pravilno nameščena in če sponka za zaklepanje ročaja ni varno pripeta. Naprava ima dve varnostni zapori za preprečitev nenamernega zagona, kadar naprava ni pravilno sestavljena.
- Pred uporabo naprave se prepričajte o smeri vetra. Sneg odmetavajte v isto smer kot piha veter ter tako preprečite, da bi sneg letel nazaj v vaš obraz.
- Ko končate z delom, pustite motor teči še nekaj dodatnih minut, nato izmetni žleb nekajkrat zavrtite naprej in nazaj ter tako odstranite preostali sneg.

TRANSPORT IN SHRANJEVANJE

- Ustavite napravo, odstranite baterijski vložek in počakajte, da se ohladi, preden jo shranite ali transportirate.
- Očistite vse tujke z izdelka. Shranite jo na suhem in dobro prezračenem mestu, ki ni na dosegu otrok. Hranite proč od jedkih sredstev, kot so kemikalije za vrtnarjenje in soli za odmrzovanje. Ne shranjujte na prostem.
- Pri transportiranju napravo zavarujte tako, da se ne bo premikala ali padla, in tako preprečite poškodbe oseb ali naprave.

VZDRŽEVANJE

⚠ OPOZORILO

Uporabljajte le originalne rezervne dele in dodatke, ki jih priporoča proizvajalec. V nasprotnem primeru naprava lahko slabo deluje, povzroči poškodbe, garancija pa ne velja več.

⚠ OPOZORILO

Servisiranje zahteva posebno pozornost in znanje in naj jo zato opravlja samo izurjeni servisni tehnik. Izdelek prinesite k pooblaščenemu servisnemu centru. Pri servisiranju uporabljajte le identične nadomestne dele.

- Opravljati smete le nastavitve in popravila, ki so opisana v teh navodilih za uporabo. Za ostala popravila se obrnite na pooblaščenega serviserja.



- Po vsaki uporabi izdelek očistite z mehko in suho krpo.
- Pogosto preverjajte, ali so vse matice in vijaki dobro priviti in tako zagotovite varno delovno stanje izdelka. Vsak poškodovani del mora ustrezno popraviti ali zamenjati pooblaščen servisni center.

ODPRAVLJANJE BLOKAD

⚠ OPOZORILO

V izogib resnim poškodbam nikoli ne polagajte rok ali nog pred napravo ali izmetni žleb.

- Sprostite ročico in odstranite baterijski paket.
- Prepričajte se, da so se vsi premikajoči se deli popolnoma zaustavili:
- V primeru zamašitve uporabite leseno palico za odstranitev blokade.
- Za zasuk rotorskega sklopa uporabite leseno palico.
- Bodite pozorni, zaradi shranjene energije v mehanizmu se lahko rotor med odstranjevanjem blokade samodejno zasuče.
- Ko lahko rotor zasučete z leseno palico, premaknite zadnji del naprave.
 - Za rotor je običajno intenzivirano gibanje.
- Prepričajte se, da je varno nadaljevati s čiščenjem snega.
- Namestite baterijski paket. Prižgite napravo.

REZIDUALNA TVEGANJA:

Tudi če napravo uporabljate tako, kot je predpisano, ni mogoče popolnoma odpraviti določenih preostalih dejavnikov tveganja. Med uporabo se lahko pojavijo naslednje nevarnosti, upravljavec pa naj bo pozoren na sledeče:

- Poškodbe, ki jih povzroči hrup
 - Nosite zaščito za sluh in omejite izpostavljenost.
- Poškodbe, povzročene z "letečimi" predmeti, ki jih izvrže rotor v sprednjem delu naprave ali izmetni žleb.
 - Vedno nosite ustrezno zaščito za vid.

SPOZNAJTE SVOJ IZDELEK

Glejte stran 133

1. Zgornji ročaj
2. Štikalo za vklop/izklop
3. Gumb za zaklep/odklop sprožila
4. Kabel za nadzor motorja
5. Izmetni žleb
6. Sponka za zaklepanje ročaja
7. Jašek za izmetni žleb
8. Ročaj za odklon izmetnega žleba
9. Odklon izmetnega žleba
10. LED luči
11. Rotor
12. Vmesna ročica
13. Gumb za nastavitev ročice
14. Spodnji ročaj
15. Ročaj za nošenje/dvigovanje
16. Predal za shranjevanje baterije
17. Predal za baterijo v uporabi
18. Akumulator
19. Polnilnik baterij

SIMBOLI NA IZDELKU



Pred uporabo izdelka morate prebrati in razumeti vsa navodila, upoštevati vsa opozorila in varnostne napotke.



Pazite na izvržene ali leteče predmete. Prisotni (še posebej otroci in živali) naj bodo med obratovanjem oddaljeni vsaj 15 m od delovnega območja.



Nosite zaščito za oči



NEVARNOST! Izogibajte se poškodbam z vrtljivim rotorjem. Z dlanmi, stopali in oblačili se ne približujte stroju.



NEVARNOST! Odstranite akumulator in pred odmašitvijo preberite navodila v priročniku. Z dlanmi in stopali se ne približujte sprednjemu delu stroja in odmetovalni drči.



Odpadne električne izdelke odlagajte skupaj z ostalimi gospodinjstvi odpadki. Reciklažo opravljajte na predpisanih mestih. Za reciklažni nasvet se obrnite na lokalne oblasti.



Ustreza vsem predpisanim standardom v državi članici EU, kjer je bil kupljen izdelek.



EurAsian oznaka o skladnosti



Ukrajinska oznaka za skladnost



Zajamčena raven hrupa je 86 dB.



Pritisnite in držite



Stisnite in držite za delovanje



Predal za shranjevanje baterije



Predal za baterijo v uporabi

Naslednje besedne oznake in njihovi pomeni služijo za razlago stopnje tveganja pri uporabi izdelka.

⚠ NEVARNOST

Označuje neizbežno tvegano stanje, ki če se ji ne izognete lahko povzroči smrt ali resno poškodbo.

⚠ OPOZORILO

Označuje morebitno tvegano stanje, ki če se ji ne izognete lahko povzroči smrt ali resno poškodbo.

⚠ POZOR

Označuje morebitno tvegano stanje, ki če se mu ne izognete lahko povzroči manjšo ali srednje resno poškodbo.

POZOR

Brez simbola za varnostno opozorilo Prikazuje situacijo, ki lahko povzroči materialno škodo.

SIMBOLI V TEM PRIROČNIKU



Deli ali dodatki so na prodaj ločeno



Opomba



Opozorilo



Uzamknutie



Odklep



Na dosiahnutie jednoduchej obsluhy a prevádzky boli pri navrhovaní tohto akumulátorového odhadzovača snehu najvyššou prioritou bezpečnosť, výkon a spoľahlivosť.

ÚČEL POUŽITIA

Akumulátorový odhadzovač snehu je určený len na použitie v exteriéri a na dobre osvetlených miestach stojacou obsluhujúcou osobou, ktorá kráča za produktom. Táto akumulátorový odhadzovač snehu je určená len na použitie dospelými osobami, ktoré si prečítali a porozumeli pokynom a výstrahám v tomto návode a možno ich považovať za zodpovedajúce za svoje činy. Z bezpečnostných dôvodov sa musí tento produkt primerane ovládať neustále oboma rukami.

Tento produkt je určený na odstraňovanie snehu na miestach ako príjazdové cesty, bočné cesty, chodníky, cestičky, vozovky a okolie domov. Tento produkt dokáže odstraňovať sneh do hĺbky až 25 cm.

Produkt sa nikdy nesmie obsluhovať, keď kolieska nie sú na zemi. Nesmie sa na ňom jazdiť. Produkt možno používať len podľa popisu v tomto návode a nesmie sa používať pre žiadny iný účel.

VŠEOBECNÉ BEZPEČNOSTNÉ PRAVIDLÁ

⚠ VAROVANIE

Pri používaní tohto produktu sa musia dodržiavať bezpečnostné zásady. Pre vašu vlastnú bezpečnosť a bezpečnosť okolostojacich osôb si pred použitím produktu prečítajte tento návod. Odložte si tento návod na neskoršie použitie.

⚠ VAROVANIE

Tento produkt je určený na použitie s jednotkou akumulátora. Pri používaní akumulátorového nástroja je potrebné dodržiavať základné bezpečnostné opatrenia, aby sa znížilo riziko vzniku požiaru, vytečenia akumulátorov a osobného poranenia.

ŠKOLENIE

- S porozumením si prečítajte všetky pokyny

a bezpečnostné upozornenia. Oboznámte sa s ovládacími prvkami a správnu obsluhou produktu.

- Nikdy nedovoľte deťom alebo osobám so zníženými fyzickými, duševnými alebo zmyslovými schopnosťami alebo osobám, ktoré nie sú oboznámené s týmto návodom, obsluhovať, čistiť alebo vykonávať údržbu tohto produktu. Miestne platné predpisy môžu obmedzovať dobu použitia kosačky. Deti musia byť pod primeraným dozorom, aby sa nemohli s produktom hrať.
- Užívateľ alebo obsluha stroja sú zodpovední za nehody alebo škody na majetku a za nebezpečenstvo vzniknuté pri prevádzke stroja.
- Okolostojace osoby, deti a domáce zvieratá, musia stáť min. 15m od pracovného priestoru. Ak nejaká osoba vstúpi do pracovného priestoru, zastavte produkt.
- Nikdy nepoužívajte produkt, keď ste unavení, chorí alebo pod vplyvom, alkoholu, drog alebo liekov.
- Buďte opatrní, aby sa zabránilo pošmyknutia alebo pádu, najmä pri cúvaní.

PRÍPRAVA

- Dôkladne skontrolujte priestor, kde sa má zariadenie používať a odstráňte všetky rohožky, sánky, dosky, drôty a iné cudzie predmety.
- Počas práce so strojom vždy používajte primerané zimné šatstvo a protišmykovú bezpečnostnú obuv. Nenoste odev, ktorý je voľný alebo má voľne visiace šnúry či pútko – môžu sa zachytiť do pohyblivých sa dielov.
- Dlhé vlasy zaistite, aby boli nad úroveň pliec a nedošlo tak k ich zamotaniu do pohyblivých dielov.
- Pri práci s produktom neustále používajte kompletnú ochranu zraku. Výrobca dôrazne odporúča celotvárovú masku alebo úplne uzavreté ochranné okuliare. Štandardné okuliare alebo slnečné okuliare nie sú primeranou ochranou. Kedykoľvek môže dôjsť k vyvráteniu predmetov vysokou rýchlosťou a tieto sa môžu odraziť od pevných povrchov smerom k obsluhujúcej osobe. Za určitých podmienok je potrebné použiť protiprachovú masku, pevnú pokrývku hlavy alebo chránič sluchu.



- Pred každým použitím skontrolujte, či všetky ovládacie prvky a bezpečnostné zariadenia fungujú správne. Nástroj nepoužívajte, ak spínač nevyvíja produkt.
- Pred každým použitím vždy vizuálne skontrolujte, či nie je poškodený plášť a či vodiace kryty a rukoväte sú na svojom mieste a správne zaistené.
- Prineste produkt to autorizovaného servisného centra na výmenu poškodených alebo nečitateľných štítkov.
- Predtým, ako začnete odhadzovať sneh, počkajte, kým sa stroj neprispôbi vonkajšej teplote.

POUŽÍVANIE AKUMULÁTORA A STAROSŤ LIVOŠŤ OŇ

- Prečítajte si s porozumením a striktno dodržiavajte bezpečnostné pokyny, ktoré sú pribalené k akumulátoru a nabíjačke. V opačnom prípade môže dôjsť k zásahu elektrickým prúdom, požiaru alebo nebezpečným situáciám. Všetky pokyny odložte spoločne na bezpečné miesto pre prípad potreby v budúcnosti.
- Akumulátorové nástroje nemusia byť zapojené do elektrickej siete, preto sú neustále v prevádzkovom stave. Keď vykonávate úpravy, čistíte alebo odstraňujete materiál, vyberte jednotku akumulátora z jednotky.
- Jednotku akumulátora možno nabíjať len pomocou nabíjačky špecifikovanej výrobcom. Pri použití nabíjačky s nekompatibilnou jednotkou akumulátora vzniká nebezpečenstvo požiaru. Používajte len nabíjačku uvedenú v návode.
- Používajte len jednotku akumulátora určenú konkrétne pre toto zariadenie. Pri použití akýchkoľvek iných jednotiek akumulátorov vzniká riziko požiaru, úderu elektrickým prúdom alebo poranenia osôb.
- Keď sa jednotka akumulátora nepoužíva, nedávajte ju do blízkosti iných kovových objektov, ako sú papierové sponky, mince, kľúče, klince, skrutky či iné malé kovové predmety, ktoré by mohli skratovať svorky. Pri skratovaní svoriek akumulátora môže dôjsť k iskreniu, popáleninám, požiaru alebo explózií.
- Nedávajte akumulátorové zariadenia ani ich akumulátory do blízkosti ohňa alebo tepla. To zvyšuje riziko explózie a možného

poranenia.

- Jednotku akumulátora neotvárajte ani nedeformujte. Vytečený elektrolyt je leptavý a môže spôsobiť poškodenie očí alebo pokožky. Pri požití môže byť toxický.
- Jednotku akumulátora chráňte pred vlhkosťou a vodou. Akumulátorový nástroj nenabíjajte vo vlhkom alebo mokrom prostredí. Dodržiavaním tohto pravidla znižujete riziko úrazu elektrickým prúdom, požiaru alebo závažného osobného poranenia.
- Pri poškodení a nesprávnom používaní akumulátora môže dôjsť k unikaniu výparov. V prípade komplikácií zabezpečte čerstvý vzduch a vyhľadajte lekársku pomoc. Výpary môžu spôsobiť podráždenie dýchacích ciest.
- Nenechávajte akumulátorovú jednotku vo vozidle pri vysokých alebo nízkych teplotách.
- LÍTIUM-IÓNOVÚ jednotku akumulátora možno používať pri teplotách až po -20 °C. Nasadte jednotku akumulátora na produkt a používajte produkt pri nízkej záťaži. Po približne jednej minúte sa jednotka zahreje a nástroj začne pracovať normálne.
- Akumulátor nespáľujte. Keď akumulátor dosiahne koniec svojej životnosti, zlikvidujte ho správnym spôsobom podľa miestnych predpisov vo vašom regióne.
- Za nevhodných podmienok, keď by z batérie vytekala kvapalina, predchádzajte kontaktu s ňou. Pri náhodnom kontakte opláchnite vodou. Ak tekutina zasiahne oči, dodatočne vyhľadajte lekársku pomoc. Tekutina vytečená z akumulátora môže spôsobiť podráždenie alebo popálenie.

AKUMULÁTOROVÝ ODHADZOVAČ SNEHU – BEZPEČNOSTNÉ PRAVIDLÁ

- Nedávajte ruky alebo nohy do blízkosti rotujúcich dielov ani pod ne.
- Pri práci so zariadením buďte ostražití, sledujte, čo robíte a používajte zdravý rozum. Chvíľa nepozornosti počas obsluhy produktu môže spôsobiť závažné osobné poranenie.
- Pri práci na štrkových príjazdoch, chodníkoch alebo cestách buďte mimoriadne opatrní. Buďte ostražitý na skryté riziká alebo dopravu.



- Nikdy nepoužívajte stroj pri vysokých rýchlostiach dopravy na klzkom povrchu. Pri cúvaní buďte opatrní.
- Nikdy nesmerujte výstup na okolostojace osoby ani nedovoľte nikomu stáť pred produktom.
- Neodhadzujte sneh cez priečelie svahov. Ak meníte smer, buďte veľmi opatrní. Nepokúšajte sa odhadzovať na strmých svahoch.
- Nikdy nepracujte s produktom bez nasadených príslušných ochranných krytov, dosiek či iných bezpečnostných ochranných zariadení.
- Nikdy nepracujte s produktom v blízkosti sklenených ohrád, automobilov, okien alebo dverí bez náležitého nastavenia uhla výstupu snehu. Okolostojace osoby, najmä deti a domáce zvieratá, musia stáť mimo pracovného priestoru.
- Keď je motor spustený, nikdy nedávajte produkt na žiadny povrch, okrem pevného čistého povrchu. Štrk, piesok a ostatná sutina sa môže nabráť do vstupu vzduchu a vymrštíť na obsluhujúcu osobu alebo okolostojacich a spôsobiť závažné poranenia.
- Nepreťažujte kapacitu zariadenia – neodhadzujte sneh príliš rýchlo naraz.
- Používajte stroj na dobre osvetlených miestach a dávajte pozor na prekážky alebo nebezpečenstvá osvetlené svetlometmi stroja.
- Nepoužívajte produkt, keď hrozí riziko blesku.
- Výstupné otvory musia byť vždy čisté. Do otvorov nekladte žiadne predmety.
- Nepracujte so zariadením vo výbušných atmosférach, napríklad v blízkosti zápalných tekutín, plynov alebo prachu.
- Udržujte bezpečný postoj a rovnováhu. Nepreceňujte sa. Preceňovanie sa môže spôsobiť stratu rovnováhy.
- Na svahoch vždy dbajte na pevnú oporu nôh a vždy kráčajte, nebežte.
- Zariadenie žiadnym spôsobom neupravujte ani nepoužívajte diely či príslušenstvo, ktoré neodporúča výrobca.
- Nikdy sa nepokúšajte vykonávať žiadne úpravy, keď je motor v chode, ak nie je výslovne odporúčané výrobcom.

⚠ VAROVANIE

Ak produkt spadne, utrpí silný náraz alebo začne neštandardne vibrovať, okamžite ho zastavte s skontrolujte, či nedošlo k poškodeniu alebo zistíte príčinu vibrácií. Akékoľvek poškodenie sa musí náležite opraviť alebo vymeniť v autorizovanom servisnom centre.

- Na zníženie rizika poranenia následkom kontaktu s rotujúcimi dielmi pred nasledujúcimi činnosťami vždy zastavte produkt, vyberte jednotku akumulátora a skontrolujte, či sa všetky pohybujúce diely úplne zastavili:
 - pred čistením alebo odstránením upchatia
 - pri ponechaní produktu bez dozoru
 - pred kontrolou, údržbou alebo prácou na produkte
 - po zasiahnutí cudzím predmetom treba skontrolovať, či produkt nie je poškodený
 - ak zariadenie začne neštandardne vibrovať (ihneď skontrolujte)

RADY K OBSLUHE

- Produkt nebude fungovať, ak horná rukoväť nie je správne nasadená a zaisťovacia svorka rukoväte nie je správne zapnutá. K dispozícii sú dve bezpečnostné poistky, ktoré bránia neúmyselnému spusteniu pri nesprávnom zmontovaní zariadenia.
- Pred spustením zariadenia si všimnite smer vetra. Sneh odhadzujte v smere vetra, aby vám sneh nepadal späť do tváre.
- Po skončení nechajte motore bežať ešte niekoľko minút, potom niekoľkokrát otočte páčku sýtiča dozadu, aby sa zo žlabu odstránil všetok zvyšný sneh.

PREPRAVA A SKLADOVANIE

- Pred uskladnením alebo prepravou zastavte zariadenie, vyberte jednotku akumulátora a nechajte zariadenie vychladnúť.
- Odstráňte zo zariadenia všetky cudzie materiály. Odložte ho na suché a dobre vetrané miesto, na ktoré nemajú prístup deti. Náradie neuskladňujte v blízkosti žieravých látok, ako napríklad v blízkosti záhradníckych chemických prípravkov



alebo solí na zimný posyp komunikácií. Neskladujte v exteriéri.

- Pri preprave zaistíte zariadenie pred pohybom alebo pádom, aby nedošlo k poraneniu osôb alebo poškodeniu zariadenia.

ÚDRŽBA

⚠ VAROVANIE

Používajte len originálne náhradné diely, príslušenstvo a nástavce výrobcu. V opačnom prípade môže dôjsť k možnému poraneniu, nedostatočnému výkonu a strate platnosti záruky.

⚠ VAROVANIE

Údržba vyžaduje extrémnu starostlivosť a znalosti, a musí byť prevádzaná výhradne v autorizovanom servise. Prineste produkt do autorizovaného servisného centra. Ak výrobok opravujete, používajte iba rovnaké originálne náhradné diely.

- Môžete vykonávať úpravy a opravy popísané v tejto príručke. Pri ostatných opravách sa obráťte na autorizovaného servisného zástupcu.
- Po každom použití vyčistite produkt mäkkou suchou tkaninou.
- Skontrolujte všetky skrutky, matice v častých intervaloch či sú riadne utiahnuté, aby sa zaistila bezpečná prevádzka produktu. Akýkoľvek poškodený diel sa musí náležite opraviť alebo vymeniť v autorizovanom servisnom centre.

ČISTENIE PRI ZABLOKOVANÍ

⚠ VAROVANIE

Nikdy nedávajte ruky ani nohy pred produkt ani vyprázdňovací žľab, mohlo by dôjsť k závažným poraneniam.

- Uvoľnite spúšť a vyberte jednotku akumulátora.
- Skontrolujte, či sa všetky pohyblivé diely úplne zastavili.
- Odstráňte blokovanie pomocou drevenej tyčky.
- Otočte jednotku lopatkového kolesa

pomocou drevenej tyčky.

- Pozor, lopatkové koleso sa pri odstraňovaní blokovanie môže samovoľne pohnúť v dôsledku nahromadenej energie v mechanizme.
- Keď už sa dá lopatkové koleso otočiť pomocou drevenej tyčky, presuňte sa k zadnej časti produktu.
 - Je normálny jav, ak sa mechanizmus lopatkového kolesa pohybuje krokovo.
- Skontrolujte, či je bezpečné pokračovať v odhadzovaní snehu.
- Namontujte jednotku akumulátora. Zapnite produkt.

ZVYŠKOVÉ RIZIKÁ:

Aj keď sa nástroj používa podľa predpisu, nie je možné eliminovať určité zvyškové rizikové faktory. Pri použití vznikajú nasledujúce riziká a obsluhujúca osoba musí venovať zvláštnu pozornosť, aby nedošlo k nasledovnému:

- Zranenie spôsobené hlukom
 - Používajte ochranu sluchu a obmedzte expozíciu.
- Zranenie spôsobené odlietavajúcimi predmetmi vymrštenými nahor a dopredu od otáčajúceho sa lopatkového kolesa v prednej časti stroja alebo zo žľabu na sneh.
 - Neustále používajte primeranú ochranu zraku.

OBOZNÁMTE SA S VAŠÍM PRODUKTOM

Pozrite stranu 133.

1. Horná rukoväť
2. Hlavný spínač
3. Odomykacie tlačidlo spúšte
4. Ovládací kábel motora
5. Páčka na otáčanie žľabu
6. Zaisťovacia svorka rukoväte
7. Hriadeľ na otáčanie žľabu
8. Rukoväť na vychyľovača žľabu
9. Vychyľovač žľabu
10. Svetelné indikátory LED
11. Lopatkové koleso
12. Prostredná rukoväť
13. Tlačidlo nastavenia rukoväte
14. Spodná rukoväť
15. Rukoväť na nosenie a zdvíhanie
16. Priečinok na odkladanie akumulátorov
17. Priečinok na používaný akumulátor
18. Batéria
19. Nabíjačka akumulátorov

SYMBOLY NA PRODUKTE



Pred použitím produktu si s porozumením prečítajte všetky pokyny a dodržiavajte výstražné a bezpečnostné upozornenia.



Pozor na vymrštené alebo odletujúce objekty. Všetky okolostojace osoby (najmä deti a domáce zvieratá) musia stáť minimálne 15 m od miesta práce



Používajte chrániče zraku



NEBEZPEČENSTVO! Pozor na poranenie z rotujúceho lopatkového kolesa. Nedávajte ruky, nohy a šatstvo do blízkosti zariadenia.



NEBEZPEČENSTVO! Predtým, ako odstránite blokovanie, vyberte akumulátor a prečítajte si pokyny v návode. Ruky a nohy držte v dostatočnej vzdialenosti od prednej časti zariadenia a vyprázdňovacieho žľabu.



Opotrebované elektrické zariadenia by ste nemali odhadzovať do domového odpadu. Prosíme o recykláciu ak je možné. Kontaktujte miestne úrady, alebo predajcu pre viac informácií ohľadom ekologického spracovania.



Vyhovuje všetkým regulačným normám v krajine EÚ, v ktorej bol výrobok zakúpený.



Euroázijská značka zhody



Ukrajinské označenie zhody



Garantovaná hladina akustického výkonu je 86 dB



Stlačte a podržte



Aktivujete stlačením a podržaním



Priečinok na odkladanie akumulátorov



Priečinok na používaný akumulátor

Nasledujúce signálne slová a významy slúžia na vysvetlenie úrovni rizika súvisiacich s produktom:

⚠ **NEBEZPEČENSTVO**

Označuje bezprostredne nebezpečnú situáciu, ktorá môže vyústiť v smrť, alebo vážne zranenie.

⚠ **VAROVANIE**

Označuje potenciálne nebezpečnú situáciu, ktorá môže vyústiť v smrť, alebo vážne zranenie.

⚠ **VÝSTRAHA**

Označuje potenciálne nebezpečnú situáciu, ktorá môže vyústiť v ľahké, alebo stredne ťažké zranenie.

VÝSTRAHA

Bez symbolu bezpečnostného alarmu
Označuje situáciu, ktorá môže zapríčiniť poškodenie majetku.

SYMBOLY V TOMTO NÁVODE



Diely alebo príslušenstvo predávané samostatne



Poznámka



Varovanie



Zamknuté



Odomknuté

Безопасността, производителността и надеждността са аспектите, на които е отделен най-голям приоритет при проектирането на вашия безжичен снегорин.

ПРЕДНАЗНАЧЕНИЕ

Безжичният снегорин е предназначен за използване само на открити места с добро осветление и от оператор, който е заел изправена позиция на тялото, докато върви зад продукта. The Снегорин е предназначен да се използва само от възрастни, които са прочели и разбрали инструкциите и предупрежденията в това ръководство и могат да бъдат считани за отговорни за техните действия. От съображения за безопасност този продукт трябва по всяко време да бъде управляван и контролиран стабилно с две ръце.

Продуктът е проектиран с цел чистене на сняг на места като пътища, тротоари, алеи, пътеки, улични платна и пространства около къщи. Продуктът може да чисти сняг с дебелина до 25 см.

Никога не трябва да се работи с продукта, ако колелата му не са в контакт със земната повърхност. Не бива да се катерите върху продукта. Продуктът трябва да се използва както е описано в настоящото ръководство, а използването му за всякакви други цели е противопоказано.

ОСНОВНИ ПРАВИЛА ЗА БЕЗОПАСНОСТ

⚠ ПРЕДУПРЕЖДЕНИЕ

При използване на продукта трябва да се спазват правилата за безопасност. За осигуряване на вашата безопасност и тази на страничните наблюдатели прочетете тези инструкции, преди да работите с продукта. Съхранявайте ръководството за експлоатация на сигурно място, за да можете да го ползвате и по-късно.

⚠ ПРЕДУПРЕЖДЕНИЕ

Продуктът трябва да се използва само заедно с акумулаторната батерия. При използване на инструмент, захранван с батерия, винаги трябва да се спазват основни предпазни мерки, за да се намали рискът от пожар, течове от батерии и физическо нараняване.

ОБУЧЕНИЕ

- Прочетете и разберете инструкциите и предупрежденията за безопасност. Запознайте се с контролите за управление и правилното използване на продукта.
- Никога не позволявайте на деца, на хора с ограничени физически, сетивни или умствени способности и на хора, които не са запознати с тези инструкции, да работят и да извършват дейности по почистване и поддръжка на продукта. Местните наредби могат да налагат ограничения за възрастта на оператора. Деца трябва да бъдат внимателно надзиравани, за да се гарантира, че не си играят с продукта.
- Трябва да знаете, че операторът или потребителят е отговорен за причиняването на злополуки или щети на други лица или имущество.
- Дръжте всички странични наблюдатели, деца и домашни животни на разстояние поне 15 метра от работната зона. Спрете продукта, ако някой навлезе в работната зона.
- Никога не използвайте продукта, ако сте уморени, болни или под влиянието на алкохол, наркотични вещества или лекарства.
- Бъдете внимателни, за да не се хлъзгат или падане, особено когато се работи в обратна посока.

ПОДГОТОВКА

- Проверете внимателно зоната, където ще се използва машината, и отстранете всички изтривалки, шейни, дъски, кабели и други чужди предмети.
- Докато работите с машината, винаги носете подходящо зимно облекло и неплъзгащи се защитни обувки. Избягвайте да носите широки дрехи или

такива с висящи краища или връзки; те могат да се заплетат в движещите се части.

- Дългата коса трябва да бъде прибрана на ниво над раменете, за да се избегне нейното заплитане в движещите се части.
- При работа с продукта винаги носете всички необходими защитни средства за очите. Производителят силно препоръчва използването на маска за цяло лице или на защитни очила, които са плътно прилепнали до очите. Обикновените или слънчевите очила не представляват надеждна защита. Възможно е предмети да отхвъркнат с висока скорост, да рикошират от твърди повърхности и да полетят към оператора. В съответните работни условия трябва да използвате маска против прах, каска или антифони.
- Преди всяка употреба проверявайте дали всички контроли и устройства за безопасност функционират правилно. Не използвайте инструмента, ако превключвателят "OFF" ("Изключване") не спира продукта.
- Преди всяка употреба проверявайте визуално дали корпусът е здрав и дали предпазителите и ръкохватките са правилно обезопасени на местата им.
- Занесете продукта в оторизиран сервизен център, ако е необходима замяна на повредени или нечетливи етикети.
- Изчакайте машината да се аклиматизира към външната температура, преди да започнете да почиствате сняг.

ИЗПОЛЗВАНЕ И ОБСЛУЖВАНЕ НА ИНСТРУМЕНТА С БАТЕРИЯ

- Прочетете, разберете и винаги следвайте инструкциите за безопасност, предоставени към вашия акумулатор и зарядно устройство. Неспазването на инструкциите може да доведе до токов удар, пожар или други опасни ситуации. Запазете всички инструкции заедно и на сигурно място за бъдещи справки.
- Не е нужно инструментите с батерии да бъдат включвани в електрически контакт; следователно те винаги са в работно състояние. Извадете батерията,

преди да извършвате каквито и да е настройки, почистване или изваждане на материали от уреда.

- Батерията трябва да се зарежда само със зарядното устройство, посочено от производителя. Използването на зарядно устройство с несъвместима батерия може да доведе до риск от пожар. Използвайте само зарядното устройство, посочено в инструкциите.
- Използвайте само батерии, конкретно предназначени за инструмента. Използването на други батерии може да доведе до риск от пожар, токов удар или физическо увреждане.
- Когато батерията не се използва, съхранявайте я далеч от други метални обекти, като например кламери, монети, ключове, гвоздеи, гайки или други малки метални обекти, които могат да направят връзка между клемите. Евентуално късо съединение от клемите на акумулаторната батерия може да предизвика искри, изгаряния, пожар или експлозия.
- Не оставяйте продукти с батерии или техните батерии близо до огън или топлина. Това повишава опасността от експлозия и вероятността за наранявания.
- Не отваряйте и не повреждайте батерията. Освободеният електролит е разяждащ и може да доведе до увреждане на очите или кожата. Може да е отровен, ако се погълне.
- Предпазвайте батерията от влага и вода. Никога не презареждайте инструмент с батерии на мокри или влажни места. Спазването на това правило ще намали опасността от токов удар, пожар или сериозни физически наранявания.
- В случай на повреда и неправилно използване на батерията може да се отделят изпарения. Осигурете свеж въздух и потърсете лекарска помощ в случай на оплаквания. Изпаренията може да възпалят дихателната система.
- Не оставяйте акумулаторната батерия вътре в автомобил, ако условията са много горещи или студени.
- ЛИТИЕВО-ЙОННАТА акумулаторна батерия може да бъде използвана при температури до -20 °C. Сложете

акумулаторната батерия в продукта и го включете при леко натоварване. След около минута батерията ще се загрее и ще започне да работи нормално.

- Не изгаряйте батерията. Когато експлоатационният живот на батерията изтече, трябва да я изхвърлите в съответствие с местните разпоредби.
- При неправилно използване батерията може да отдели течност; избягвайте контакт. Ако случайно настъпи контакт, промийте с вода. Ако течността влезе в контакт с очите, потърсете допълнително медицинска помощ. Отделената от батерията течност може да причини възпаление или изгаряния.

ПРАВИЛА ЗА БЕЗОПАСНО ИЗПОЛЗВАНЕ НА БЕЗЖИЧНИЯ СНЕГОРИН

- Не поставяйте ръцете или краката си близо до или под въртящите се части.
- Бъдете бдителни, внимавайте какво правите и проявявайте благоразумие, когато боравите с уреда. Миг невнимание по време на работа с продукта може да предизвика сериозни физически наранявания.
- Бъдете особено внимателни, когато пресичате или работите на чакълени алеи, пътеки или пътища. Внимавайте за скрити опасности или за пътният трафик.
- Никога не работете с машината при високи транспортни скорости на хлъзгави повърхности. Бъдете внимателни при заден ход.
- Никога не насочвайте изхвърления сняг към странични наблюдатели и не позволявайте лица да застават пред продукта.
- Никога не четете сняг напреки по склонове. Бъдете особено бдителни при смяна на посоката на наклона. Не опитвайте да четите стръмни склонове.
- Никога не работете с продукта, ако подходящите предпазители, пластини или други защитни устройства не са поставени на местата им.
- Никога не работете с продукта в близост до стъклени предмети, автомобили, прозорци и входни врати, преди да сте задали правилен ъгъл на изхвърляне на снега. Дръжте страничните наблюдатели

на разстояние от работната област, особено деца и домашни любимци.

- Докато е включен моторът, никога не поставяйте продукта върху повърхности, които не са здрави и чисти. Входящият въздушен отвор може да засмуче чакъл, пясък или други отломки, които в последствие могат да отхвърчат по посока на оператора или на странични наблюдатели и да им нанесат евентуални наранявания.
- Не претоварвайте капацитета на машината, опитвайки се с бързо темпо да четите големи количества сняг.
- Използвайте машината в добре осветени условия и следете за препятствия или опасности, които ще бъдат осветени от фаровете на машината.
- Не използвайте продукта, когато има риск от мълнини.
- Винаги стойте далеч от улея за изхвърляне. Но поставяйте каквито и да е предмети в отворите.
- Не работете с машината в среда с повишена опасност от възникване на експлозия, в близост до леснозапалими течности, газове или прахообразни материали.
- Заемайте стабилна позиция и пазете баланс. Не се протягайте, за да работите на трудно достижими места. Протягането може да доведе до загуба на равновесие.
- Стъпвайте на стабилна опора при работа на наклон и винаги ходете, а не тичайте.
- Не модифицирайте машината по никакъв начин и не използвайте части и принадлежности, които не са препоръчани от производителя.
- Никога не се опитвайте да се правят корекции, докато двигателят работи, освен ако изрично не се препоръчва от производителя.

⚠ ПРЕДУПРЕЖДЕНИЕ

Ако продуктът бъде изпуснат, претърпи силен удар или започне да вибрира неестествено, незабавно изключете продукта и проверете за повреди или се опитайте да идентифицирате причината за вибрирането. Поправките и замените на части при повреда трябва да се извършват от оторизиран сервизен център.

- За да намалите опасността от нараняване при контакт с движещите се части, винаги спирайте продукта, сваляйте акумулаторната батерия и изчаквайте всички движещи се части напълно да спрат движението си:
 - преди почистване или отстраняване на запушвания
 - когато оставяте продукта без надзор
 - преди проверка, поддръжка или работа по продукта
 - след сблъсък с друг предмет да инспектирате продукта за повреди
 - ако уредът започне да вибрира неестествено (проверете незабавно)

СЪВЕТИ ЗА РАБОТА С ПРОДУКТА

- Продуктът няма да работи, ако горната ръкохватка не е поставена правилно и фиксиращата скоба на ръкохватката не е здраво захваната. Има два блокировача за безопасност, които предотвратяват непреднамереното стартиране на машината, когато тя не е сглобена правилно.
- Обърнете внимание за посоката на вятъра, преди да работите с машината. Изхвърлянето на сняг трябва да става по посока на вятъра, за да не може снегът да се връща обратно в лицето ви.
- Когато свършите с почистването, оставете мотора да поработи още няколко минути, след което завъртете няколко пъти напред-назад лоста за завъртане на улея, за да прочистите останалия в него сняг.

ТРАНСПОРТИРАНЕ И СЪХРАНЕНИЕ

- Спрете верижния трион, свалете батериите и изчакайте инструментът да

се охлади, преди да го транспортирате или приборете за съхранение.

- Почистете продукта от всички чужди частици. Съхранявайте я на хладно, сухо и добре проветрявано място, което е недостъпно за деца. Не го оставяйте в близост до корозивни материали като градински химикали или соли за размразяване. Не съхранявайте на открито.
- При транспортиране закрепете здраво машината, за да елиминирате вероятността от придвижване или падане и да предотвратите физическите наранявания на лица или повреди по машината.

ПОДДРЪЖКА

⚠ ПРЕДУПРЕЖДЕНИЕ

Използвайте само оригинални резервни части, аксесоари и приставки от производителя. В противен случай може да се влоши работата на инструмента или да получите тежки контузии, а гаранцията ви ще стане невалидна.

⚠ ПРЕДУПРЕЖДЕНИЕ

Сервизното обслужване изисква изключително внимание и специфични познания и следва да бъде извършвано само от квалифициран техник. Занесете продукта в оторизиран сервизен център. При ремонт използвайте само идентични резервни части.

- Можете да правите настройки и поправки, описани в това ръководство на потребителя. За други поправки се свържете с агент на упълномощения сервиз.
- Всеки път след употреба почиствайте продукта с мека и суха кърпа.
- Периодично проверявайте дали всички гайки, болтове и винтове са правилно затегнати, за да сте сигурни, че продуктът е в изправност. Всяка повредена част трябва да бъде поправена или заменена от упълномощен сервизен център.

ОТСТРАНЯВАНЕ НА ЗАПУШВАНЕ

▲ ПРЕДУПРЕЖДЕНИЕ

Никога не поставяйте ръцете или краката си пред продукта или пред улея за изхвърляне, за да избегнете сериозни наранявания.

- Освободете спусъка и свалете акумулаторната батерия.
- Уверете се, че всички движещи се части са спрели напълно.
- Използвайте дървена пръчка, за да изчистите запушването.
- Завъртете перките на ротора с дървената пръчка.
- Внимавайте, защото перките на ротора могат да се задвижат, докато отстранявате запушването, защото в роторния механизъм има остатъчна енергия.
- След като с помощта на дървената пръчка осигурите свободното движение на ротора, се преместете в задната част на продукта.
 - Нормално е роторният механизъм да извършва постъпателни движения.
- Уверете се, че е безопасно да продължите с почистването на сняг.
- Поставете акумулаторната батерия. Включете продукта.

НЕПРЕДВИДЕНИ РИСКОВЕ.

Дори когато машината се използва по предназначение, е невъзможно напълно да се отстранят определени остатъчни рискови фактори. Рисковете, описани по-долу, може да възникнат по време на употреба и операторът трябва да внимава за избягването на следното:

- Наранявания, причинени от шум
 - Носете антифони и ограничете излагането.
- Наранявания от летящи предмети, изхвърлени нагоре и напред от въртящите се роторни перки в предната част на машината или от улея за изхвърляне.
 - По всяко време носете подходящи защитни средства за очите.

ОПОЗНАЙТЕ ВАШИЯ ПРОДУКТ

Вж. страница 133.

1. Горна ръкохватка
2. Превключвател (за стартиране и спиране)
3. Бутон за фиксиране на спусъка
4. Кабел за управление на двигателя
5. Лост за завъртане на улея
6. Фиксираща скоба на ръкохватката
7. Вал за завъртане на улея
8. Ръкохватка за дефлектора на улея
9. Дефлектор на улея
10. LED светлини
11. Ротор
12. Средна ръкохватка
13. Врътка за регулиране на ръкохватката
14. Долна ръкохватка
15. Ръкохватка за носене/повдигане
16. Отделение за съхранение на батерията
17. Отделение за батерията в работен режим
18. Батерия
19. Зарядно устройство за батериите

СИМВОЛИ НА ПРОДУКТА



Прочетете и осмислете всички указания, преди да започнете работа с продукта; спазвайте всички предупреждения и инструкции за безопасност.



Внимавайте за изхвърлени или летящи обекти. Не допускате странични наблюдатели, особено деца и домашни животни, на по-малко от 15 м от работната зона.



Носете защитни средства за очи



ОПАСНОСТ! Пазете се от наранявания, причинени от въртящите се роторни перки. Дръжте настрана ръцете, краката и облеклото си.



ОПАСНОСТ! Свалете батерията и прочетете инструкциите в ръководството, преди да почиствате запушване. Дръжте ръцете и краката си далече от предната част на машината и улея за изхвърляне.



Електрическите уреди не трябва да се изхвърлят заедно с битовите отпадъци. Рециклирайте, където има възможност. Обърнете се за съвет по рециклирането към местните власти или разпространителите.



Тази машина е в съответствие с нормативната уредба на държавата от ЕС, където е била закупена.



EurAsian знак за съответствие



Украински знак за съответствие



Гарантираното ниво на шум е 86 dB.



Натиснете и задръжте



Стиснете и задръжте, за да задействате



Отделение за съхранение на батерията



Отделение за батерията в работен режим

Следните сигнални думи и техните съответни значения обясняват нивата на опасност, свързани с употребата на този продукт:

⚠ ОПАСНОСТ

Указва неминуемо опасна ситуация, която ако не бъде избегната, ще доведе до сериозни наранявания или смърт.

⚠ ПРЕДУПРЕЖДЕНИЕ

Указва потенциално опасна ситуация, която ако не бъде избегната, може да доведе до сериозни наранявания или смърт.

⚠ ВНИМАНИЕ

Указва потенциално опасна ситуация, която ако не бъде избегната, може да доведе до дребни или средни наранявания.

ВНИМАНИЕ

Без предупредителен символ за безопасност
Указва ситуация, която може да доведе до имуществени щети.

СИМВОЛИ В НАСТОЯЩОТО РЪКОВОДСТВО



Частите или принадлежностите се продават отделно



Забележка



Предупреждение



Ключалка



Отключване

Безпеці, продуктивності і надійності наданий вищий пріоритет в дизайні вашого бездротового снігоочисника.

ПРИЗНАЧЕННЯ

Цей бездротовий снігоочисник призначений для використання тільки дорослими, які читали і зрозуміли інструкції та попередження в цьому посібнику і можуть вважатися відповідальними за свої дії. Цей бездротового снігоочисника призначений для використання тільки дорослими, які читали і зрозуміли інструкції та попередження в цьому посібнику і можуть вважатися відповідальними за свої дії. З міркувань безпеки продукт повинен належним чином контролюватися за допомогою двох рук.

Продукт призначений для очищення від снігу в таких областях, як під'їзні шляхи, тротуари, пішохідні доріжки, стежки, проїзних частини і навколо будинку. Продукт може рухати сніг глибиною до 25 см.

Продукт не повинен експлуатуватися з колесами не на землі. Не катайтеся на продукті, працюючи з ним. Продукт повинен бути використаний лише як вказано в цьому посібнику і не повинен використовуватися для інших цілей.

ЗАГАЛЬНІ ПРАВИЛА БЕЗПЕКИ

⚠ ПОПЕРЕДЖЕННЯ

При використанні продукту, потрібно дотримуватися правил безпеки. Для вашої власної безпеки та безпеки перехожих, будь ласка, прочитайте ці інструкції перед експлуатацією виробу. Будь ласка, збережіть інструкції з безпеки для подальшого використання.

⚠ ПОПЕРЕДЖЕННЯ

Продукт повинен експлуатуватися тільки з контейнером з акумулятором. При використанні продуктів з акумуляторним живленням, необхідно дотримуватися основних запобіжних заходів, щоб знизити ризик виникнення пожежі, течі акумуляторів і травм.

ПІДГОТОВКА

- Прочитайте і зрозумійте інструкції та попередження з техніки безпеки. Добре ознайомтеся з органами управління та правильним використанням машини.
- Ніколи не дозволяйте дітям або людям з обмеженими фізичними, сенсорними або розумовими здібностями, або незнайомим з цими інструкціями, працювати, чистити або обслуговувати машину. Місцеве законодавство може обмежувати вік оператора. Потрібно належним чином стежити за дітьми, щоб вони не грали з машиною.
- Майте на увазі, що оператор або користувач несе відповідальність за нещасні випадки або ушкодження інших осіб або їх майна.
- Тримайте перехожих, дітей і домашніх тварин на відстані 15м від місця експлуатації. Зупиніть машину, якщо хто-небудь входить в зону.
- Не використовуйте цю машину, якщо ви втомилися, хворі, або під впливом алкоголю, наркотиків або ліків.
- Будьте обережні, щоб уникнути ковзання або падіння, особливо при роботі в зворотному напрямку.

ПІДГОТОВКА

- Ретельно огляньте місце, де буде використовуватися машина і видаліть всі підстилки, санки, дошки, проводи та інші сторонні предмети.
- Під час роботи машини завжди носіть адекватний зимовий одяг і нековзне захисне взуття. Уникайте вільного одягу або, що має висячі шнурки або зав'язки; вони можуть потрапити в рухомі частини.
- Зафіксуйте довге волосся вище рівня плеча, щоб запобігти заплутуванню в будь-яких рухомих частинах.
- Носіть захист для очей увесь час, при роботі з цією машиною. Виробник настійно рекомендує повну маску або повністю закриті окуляри. Нормальні окуляри або сонцезахисні окуляри не є адекватним захистом. Об'єкти можуть бути кинуті на високій швидкості і можуть відскочити від жорстких поверхонь у бік оператора. Маска від пилу, шолом, або захист органів слуху повинні використовуватися у відповідних умовах.
- Перед кожним використанням

переконайтеся, що всі елементи керування і безпеки функціонують правильно. Не використовуйте машину, якщо вимикач "ВИМК" не зупиняє машину.

- Перед кожним використанням, завжди візуально перевіряйте, щоб побачити, що корпус не пошкоджений і що захист і ручки на місці і надійно закріплені.
- Принесіть продукт в авторизований сервісний центр для заміни пошкоджених або нечитабельних етикеток.
- Надайте змогу машині пристосуватися до зовнішньої температури, перш ніж почати очищення від снігу.

ВИКОРИСТАННЯ І ДОГЛЯД ІНСТРУМЕНТУ НА БАТАРЕЙКАХ

- Прочитайте, зрозумійте і завжди дотримуйтесь інструкцій з техніки безпеки, що додаються до акумулятора і зарядного пристрою. Невиконання цієї вимоги може призвести до ураження електричним струмом, пожежі або інших небезпечних ситуацій. Зберігайте всі інструкції разом в надійному місці для подальшого використання.
- Машина, працююча на акумуляторі не повинна бути підключена до електричної розетки; тому, вона завжди знаходиться в робочому стані. Зніміть акумулятор перед регулюванням, очищенням або видаленням матеріалу з продукту
- Акумуляторна батарея повинна бути заряджена тільки за допомогою зарядного пристрою, зазначеного виробником. Використання зарядного пристрою з несумісною акумуляторною батареєю може створити ризик загоряння. Використовуйте тільки зарядний пристрій, зазначений в інструкції.
- Використовуйте лише акумуляторні батареї, спеціально призначені для цієї машини. Використання будь-яких інших акумуляторів може призвести до ризику виникнення пожежі, ураження електричним струмом або травмування осіб.
- Коли акумулятор не використовується, тримайте його подалі від металевих предметів, таких як скріпки, монети, ключі, цвяхи, шурупи, або інші дрібні

металеві предмети, які можуть підключити один контакт до іншого. Замикання клем акумулятора може призвести до отримання іскор, опіків, пожежі або вибуху.

- Не залишайте акумуляторні продукти або їхні акумулятори поблизу вогню або тепла. Це збільшує ризик вибуху і, можливо, травми.
- Не відкривайте та не діформуйте акумулятор. Електроліт є агресивною рідиною і може привести до пошкодження очей або шкіри. Він може бути токсичним при ковтанні.
- Захистіть акумуляторний блок від вологи і води. Не заряджайте виріб у вологому або мокрому місці. Дотримання цього правила знизить ризик ураження електричним струмом.
- У разі пошкодження і неправильного використання акумулятора, може виділятися пара. Забезпечіть доступ свіжого повітря і зверніться за медичною допомогою у разі скарг. Пара може подразнювати дихальні шляхи.
- Не залишайте акумулятор в салоні автомобіля в жарких або холодних умовах.
- ЛІТІЙ-ІОННИЙ акумулятор можна використовувати при температурах до - 20° С. Поставте акумулятор у продукт і використовуйте продукт у легкому режимі роботи. Приблизно через хвилину, блок прогріється і почне працювати нормально.
- Не спалюйте акумулятори. Коли акумулятор знаходиться за межами терміну його корисного використання, ліквідуйте його правильно, відповідно до місцевих правил у вашому регіоні.
- У важких умовах експлуатації, рідина може бути випущена з батареї; уникайте контакту. При випадковому контакті змийте водою. Якщо рідина потрапила в очі, зверніться за медичною допомогою. Рідина з акумулятора може викликати роздратування або опіки.

ПРАВИЛА БЕЗПЕКИ БЕЗДРОТОВОГО СНІГООЧИСТНИКА

- Не пікладайте руки або ноги під обертаючі деталі.
- Будьте уважні, дивіться, що ви робите,



і використовуйте здоровий глузд при експлуатації виробу. Найменша необережність при роботі снігоочисника може призвести до серйозних травм.

- Проявляйте крайню обережність при роботі, або перетині гравійних проїзджих частин, стежин, або доріг. Пильуйте приховані небезпеки або рух.
- Ніколи не використовуйте машину на високих швидкостях транспорту на слизьких поверхнях. Будьте обережні при русі заднім ходом.
- Ніколи не направляйте випускний отвір на перехожих або не дозволяти нікому наблизитися до передньої частини продукту.
- Не прибирайте сніг поперек поверхні схилів. Проявляйте крайню обережність при зміні напрямку на схилах. Не намагайтеся очистити круті схили.
- Ніколи не використовуйте продукт без встановленого належного захисту, пластин або інших захисних пристроїв.
- Ніколи не використовуйте продукт поблизу скляних корпусів, автомобілів, вікон, запобіжників, або дверних отворів без належного регулювання кута вивантаження снігу. Тримайте дітей і домашніх тварин подалі.
- Ніколи не розташуйте виріб на будь-якій поверхні, крім твердої чистої поверхні, коли двигун працює. Гравій, пісок та інші тверді частинки можуть бути підхоплені повітрязбірником і кинуті в оператора або у перебуваючих поруч, в результаті чого можливі серйозні травми.
- Не перевантажуйте машину, намагаючись очистити сніг на занадто високій швидкості.
- Використовуйте машину в добре освітленій зоні і зверніть увагу на перешкоди або небезпеки освітлені фарами машин.
- Не використовуйте продукт, якщо є ризик блискавки.
- Завжди тримайтеся подалі від випускного отвору. Не вставляйте ніякі предмети в отвори.
- Не використовуйте продукт у вибухонебезпечних атмосферах, наприклад, у присутності легко займистих рідин, газів або пилу.

- Тримайте міцну опору і рівновагу. Не тягніться. Перенавантаження може привести до втрати балансу.
- Завжди будьте впевнені в опорі на схилах і ходіть, не бігайте.
- Не змінюйте машину будь-яким чином та не використовуйте деталі та приладдя, не рекомендовані виробником.
- Ніколи намагайтеся робити які-небудь корективи в той час як двигун працює, за винятком випадків, спеціально рекомендованих виробником.

⚠ ПОПЕРЕДЖЕННЯ

Якщо продукт впав, постраждав від важкого удару або починає вібрувати, негайно зупиніть прилад та перевірте на наявність пошкоджень або визначте причину вібрації. Будь-яка пошкоджена деталь, має бути правильно відремонтована або замінена в авторизованому сервісному центрі.

- Щоб знизити ризик отримання травми, пов'язаної з контактом з обертовими частинами, завжди зупиніть продукт, вийміть акумулятор, переконайтеся, що всі рухомі частини зупинилися:
 - перед чищенням або перед усуненням закупорки
 - до того, як залишити продукт без нагляду
 - перед перевіркою, проведенням технічного обслуговування, або роботою з продуктом
 - після удару об сторонній предмет, щоб оглянути продукт на наявність прихованих пошкоджень
 - якщо продукт починає ненормально вібрувати

ПОРАДИ ЩОДО ЕКСПЛУАТАЦІЇ

- Продукт не працюватиме, якщо верхня ручка не правильно встановлена і затискач замка ручки надійно не затиснутий. Є два захисних блокування, щоб допомогти запобігти випадковому запуску, коли машина не зібрана правильно.
- Зверніть увагу на напрям вітру, перш ніж використовувати машину. Скидайте сніг в тому ж напрямку, що й вітер, щоб



запобігти відкидання снігу назад у ваше обличчя.

- Коли закінчите, дозвольте двигуну працювати додаткові декілька хвилин, а потім поверніть важіль обертання жолобу назад і вперед кілька разів, щоб видалити залишившийся сніг із жолоба.

ТРАНСПОРТУВАННЯ ТА ЗБЕРІГАННЯ

- Зупиніть продукт, вийміть акумулятор і дозвольте обом охолонути перед зберіганням або транспортуванням.
- Очистіть всі сторонні матеріали з продукту. Зберігайте його в сухому прохолодному і добре провітрюваному місці, недоступному для дітей. Зберігати подалі від агресивних агентів, таких як садові хімікати і солей проти обледеніння. Не зберігайте на відкритому повітрі.
- Для транспортування, забезпечіть машину від руху або падіння, щоб запобігти травми людей або пошкодження машини.

ОБСЛУГОВУВАННЯ

⚠ ПОПЕРЕДЖЕННЯ

Використовуйте тільки оригінальні запасні частини, аксесуари та обладнання від виробника. Невиконання цієї вимоги може привести до можливої травми, поганої продуктивності та може призвести до втрати гарантії.

⚠ ПОПЕРЕДЖЕННЯ

Обслуговування вимагає крайньої обережності і знання і повинно бути виконане тільки кваліфікованим фахівцем. Принесіть продукт в найближчий авторизований сервісний центр для ремонту. При обслуговуванні використовуйте тільки ідентичні запасні частини.

- Ви можете зробити регулювання та ремонт, описані в цьому посібнику користувача. Для інших ремонтних робіт, зверніться до авторизованого сервісного агента.
- Після кожного використання, очистіть

виріб м'якою сухою тканиною.

- Перевірте всі гайки, болти і гвинти після короткого проміжка часу на правильну герметичність, щоб забезпечити продукт у безпечному робочому стані. Будь-яка пошкоджена деталь, має бути правильно відремонтована або замінена в авторизованому сервісному центрі.

УСУНЕННЯ БЛОКУВАННЯ

⚠ ПОПЕРЕДЖЕННЯ

Ніколи не кладіть руки або ноги попереду пристрою або розвантажувального жолобу, щоб уникнути серйозних травм.

- Відпустіть собачку і зніміть контейнер з акумулятором.
- Переконайтеся, що всі рухомі частини зупинилися.
- Використовуйте ручний інструмент для видалення блокування.
- Поверніть блок крильчатки за допомогою ручного інструменту.
- Обережно, крильчатка може рухатися під час видалення засмічення через накопичену енергію в механізмі.
- Після того, як крильчатка може бути повернута ручним інструментом, перейдіть до задньої частини пристрою.
 - Інкрементний рух механізму крильчатки є нормальним.
- Переконайтеся, що безпечно продовжити снігоприбирання.
- Поставте акумулятор у продукт. Символи на продукті

ЗАЛИШКОВІ РИЗИКИ

Навіть коли продукт використовується як написано, залишається неможливим повністю усунути деякі залишкові чинники ризику. Наступні небезпеки можуть виникнути і оператор повинен звернути особливу увагу, щоб уникнути наступного:

- Травми, викликані шумом
 - Користуйтеся засобами захисту слуху і обмежіть вплив.
- Травми від літаючих об'єктів, кинутих вперед і вгору від обертаємої крильчатки на передній частині машини або зі

снігового жолоба.

- Увесь час носить захист для очей.

ЗНАЙТЕ СВІЙ ПРОДУКТ.

Дивіться сторінку 133.

1. Верхня ручка
2. На/від тригера
3. Кнопка розблокування собачки
4. Контрольний кабель двигуна
5. Важель повертання жолоба
6. Затискач блокування ручки
7. Вісь повертання жолоба
8. Ручка дефлектора жолоба
9. Дефлектор жолоба
10. СВД лампи
11. Крильчатка
12. Проміжна ручка
13. Кнопка регулювання ручки
14. Нижня ручка
15. Ручка для перенесення/підйому
16. Зберігання акумуляторного відділення
17. Акумуляторне відділення у використанні
18. Контейнер з акумулятором
19. Зарядний пристрій

СИМВОЛИ НА ПРОДУКТІ



Читайте і зрозумійте всі інструкції перед експлуатацією виробу, дотримуйтесь всіх вказівок і попереджень з техніки безпеки.



Остерігайтеся кинутих або літаючих об'єктів. Тримайте всіх перехожих, особливо дітей і домашніх тварин, принаймні 15 м від робочої зони.



Носить захист для очей



НЕБЕЗПЕКА! Уникайте травм від крильчатки, що обертається. Тримайте руки, ноги і одяг подалі.



НЕБЕЗПЕКА! Вийміть акумулятор і прочитайте інструкції в керівництві перед очищенням засмічення. Тримайте руки і ноги подалі від передньої частини машини і розвантажувального жолоба.

Відходи електротехнічної продукції не слід викидати разом із побутовими відходами. Будь ласка, переробляйте там, де наявне устаткування. Перевірте з вашим місцевим органом влади або продавцем для консультації з приводу переробки.



Відповідає всім нормативним стандартам в країнах ЄС, де виріб було придбано.



Євразійський знак відповідності



Український знак відповідності



Гарантований рівень звукової потужності 86 дБ.



Натисніть і утримуйте



Стисніть і утримуйте, щоб запустити



Зберігання акумуляторного відділення



Акумуляторне відділення у використанні

Наступні сигнальні слова і змісти призначені для пояснення рівнів ризику, пов'язаних з продуктом.

⚠ НЕБЕЗПЕКА

Вказує на неминуче небезпечну ситуацію, яка, якщо її не уникнути, може призвести до смерті або серйозних травм.

⚠ ПОПЕРЕДЖЕННЯ

Вказує на потенційно небезпечну ситуацію, яка, якщо її не уникнути, може призвести до смерті або серйозних травм.

ПОПЕРЕДЖЕННЯ

Вказує на потенційно небезпечну ситуацію, яка, якщо її не уникнути, може призвести до середньої або легкої травми.

ПОПЕРЕДЖЕННЯ

Без попереджуючих символів

Вказує на ситуацію, яка може призвести до пошкодження майна.

СИМВОЛИ В ЦЬОМУ КЕРІВНИЦТВІ



Запчастини та аксесуари, що продаються окремо



Примітка:



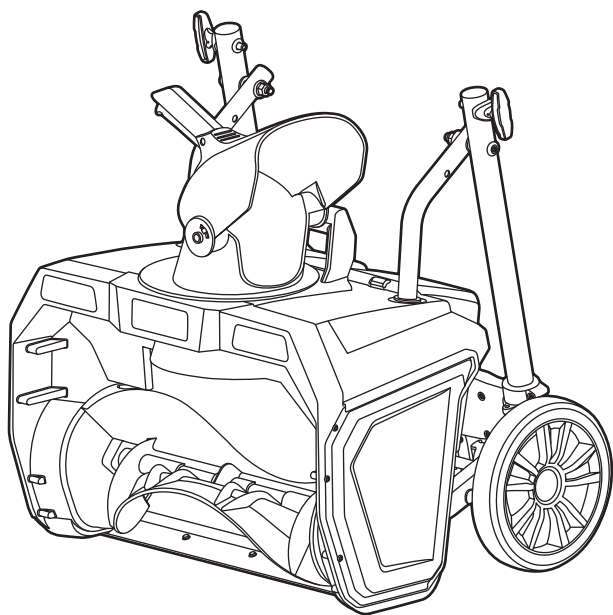
Попередження



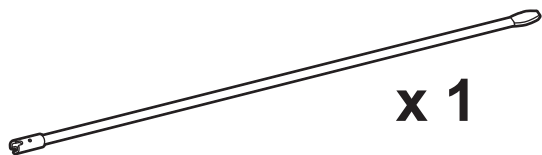
Блокувати



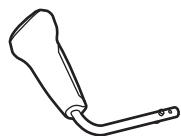
Розблокувати



x 1



x 1



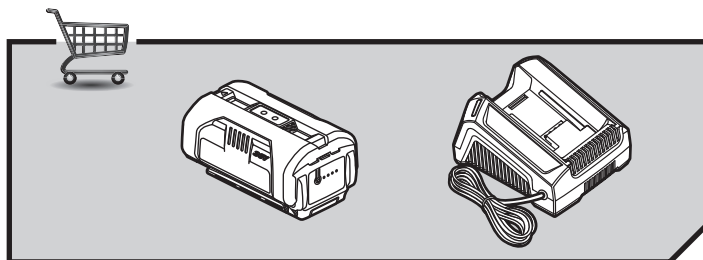
x 1

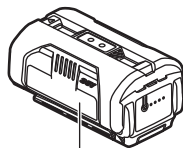
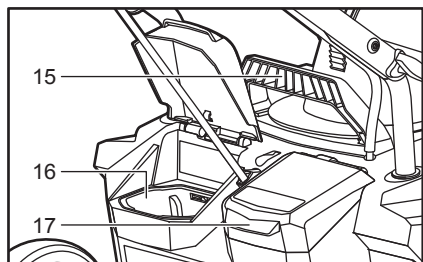
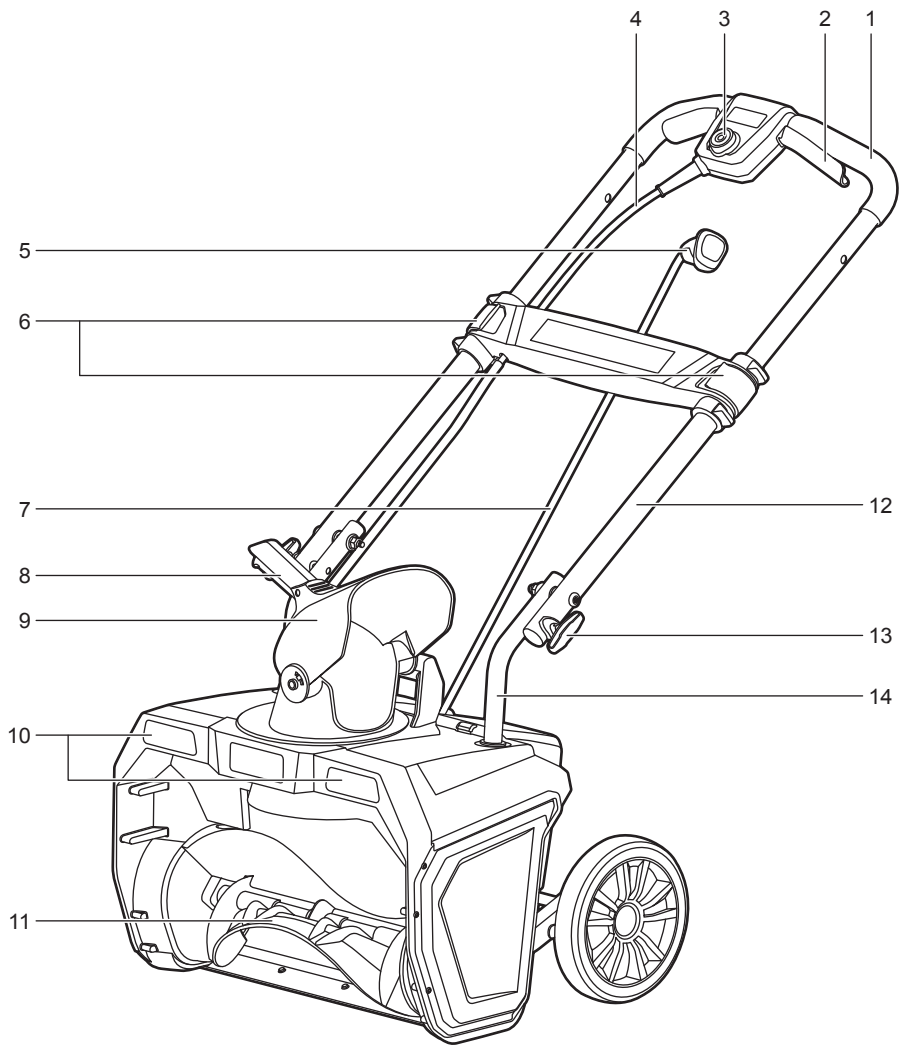


x 1

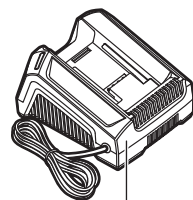


x 1

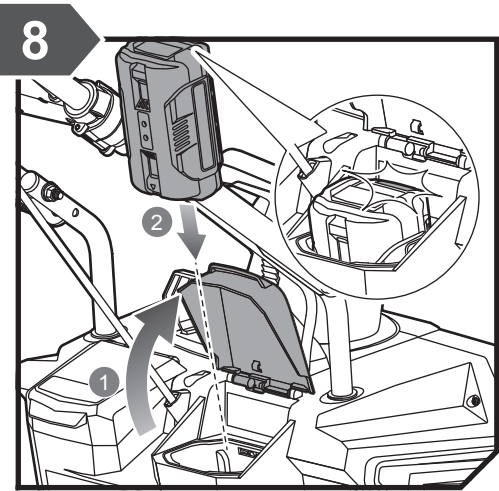
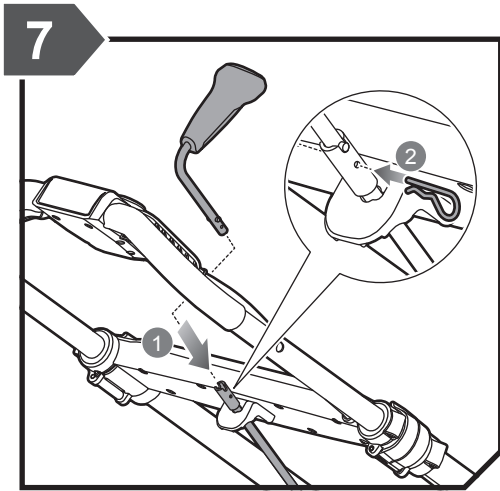
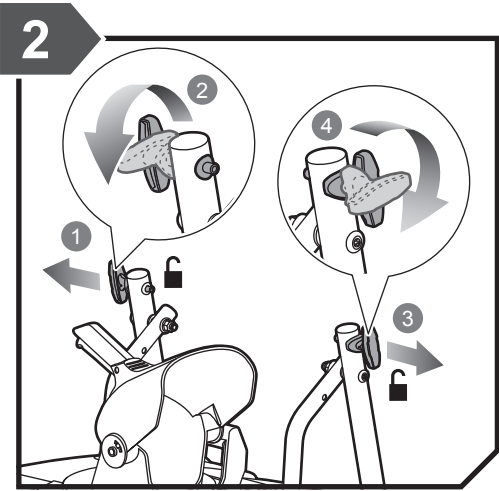
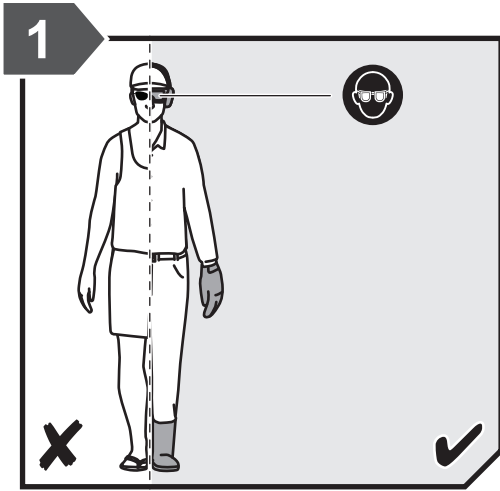


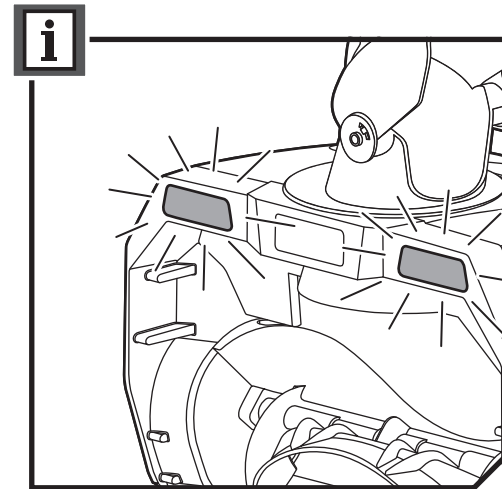
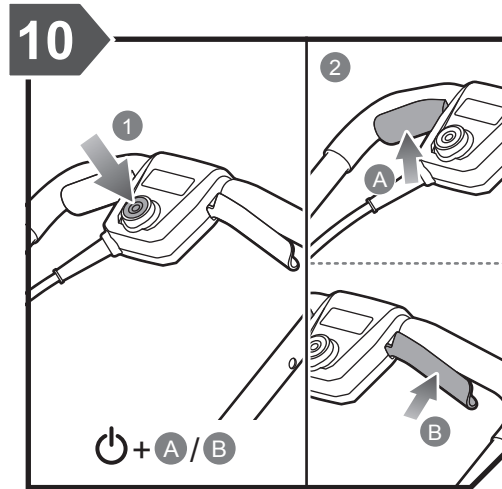
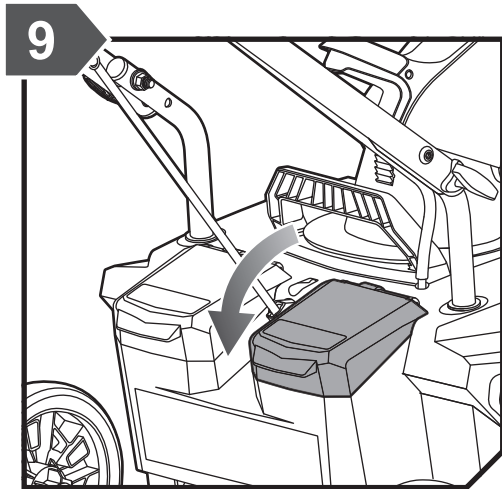
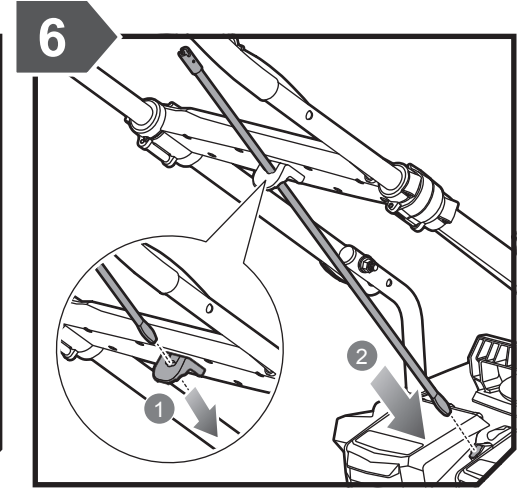
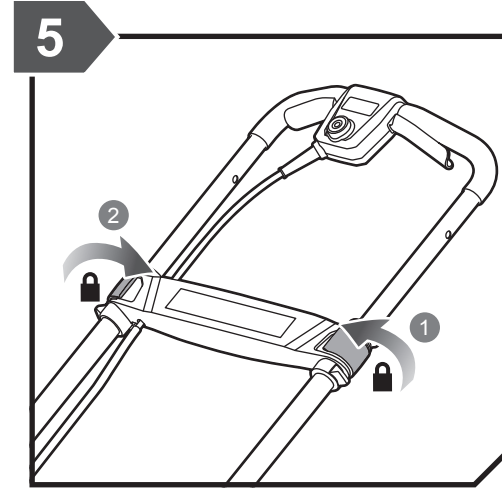
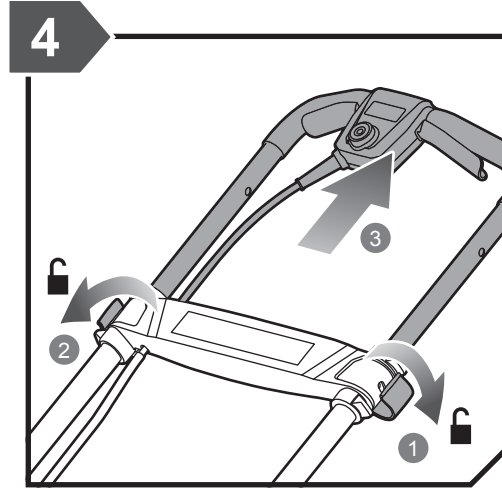
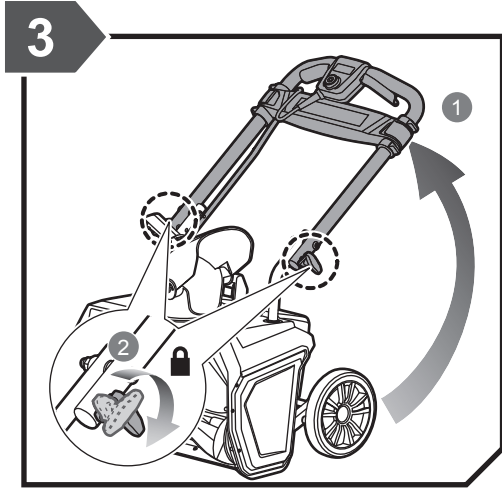


18

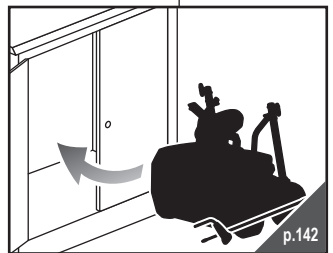
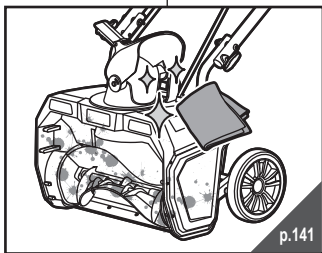
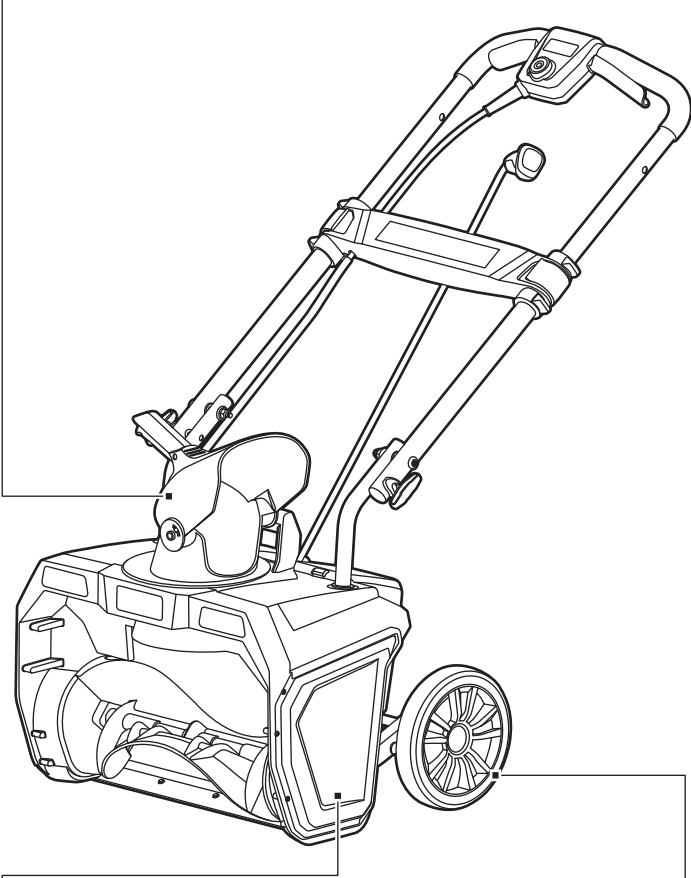
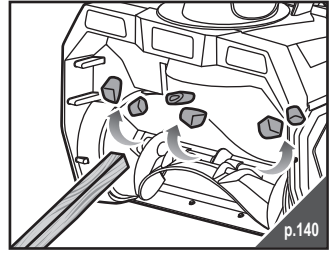
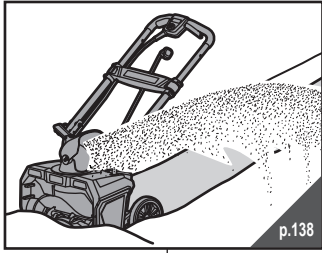


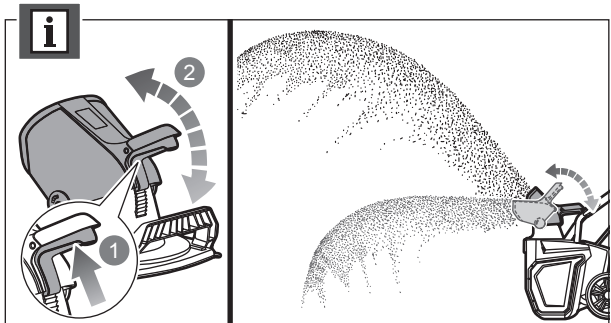
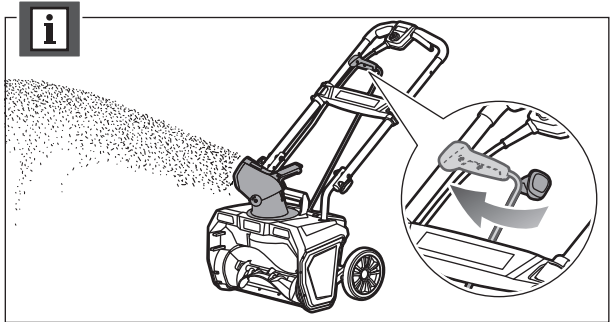
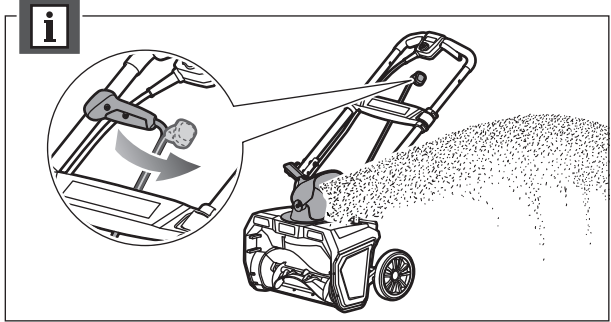
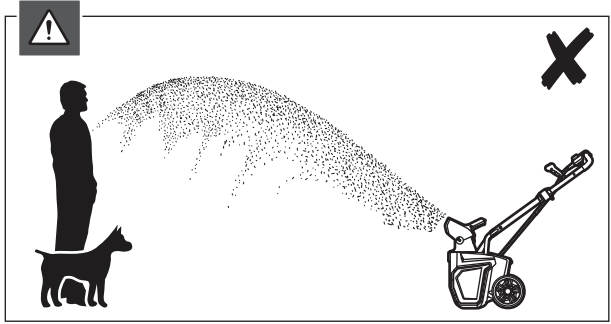
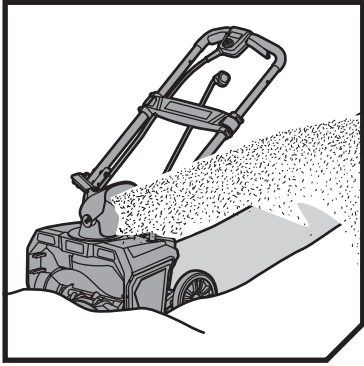
19

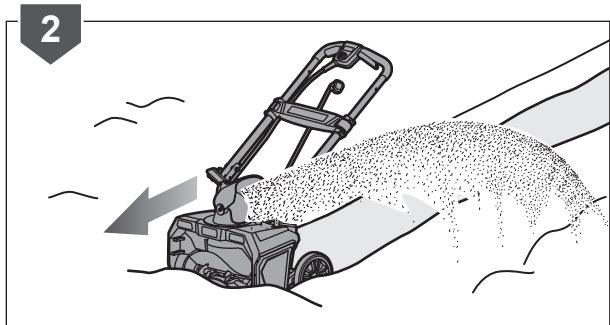
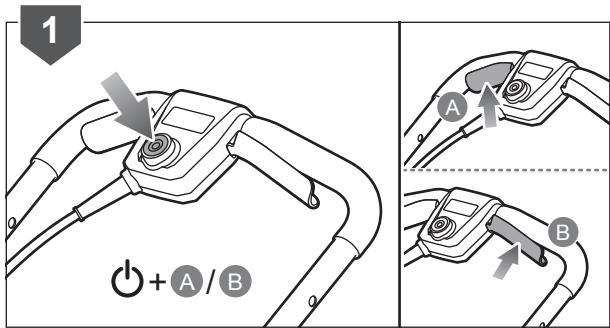


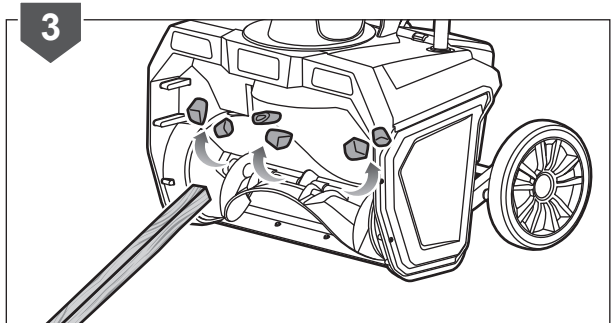
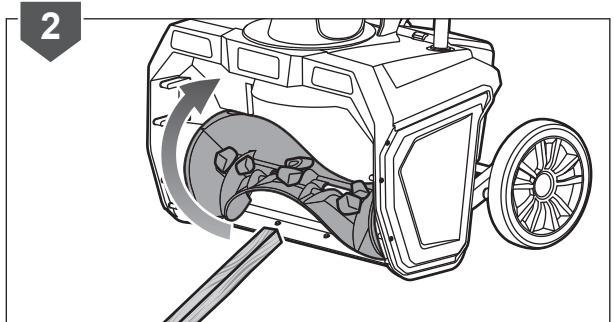
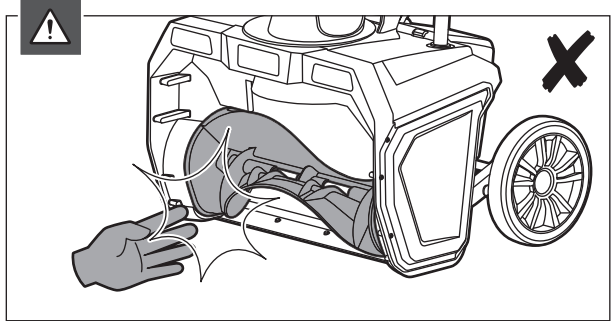
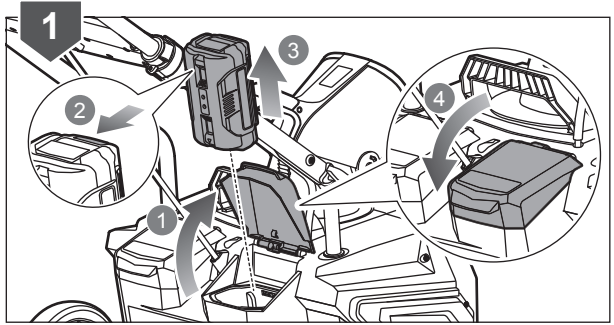
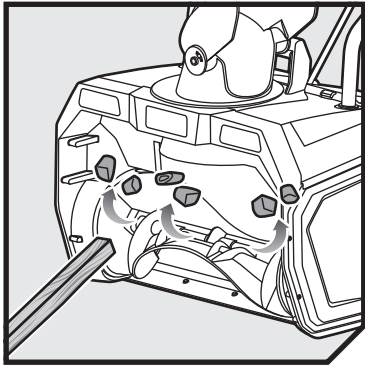


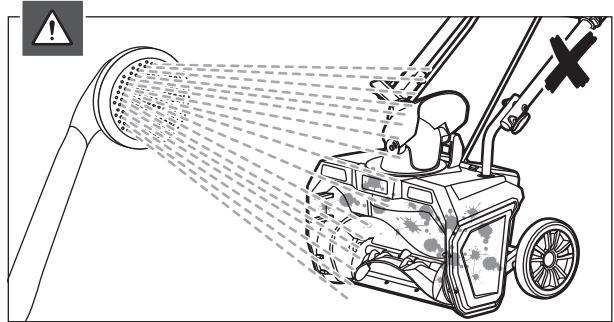
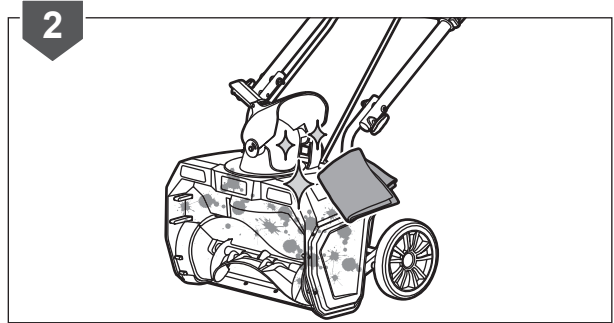
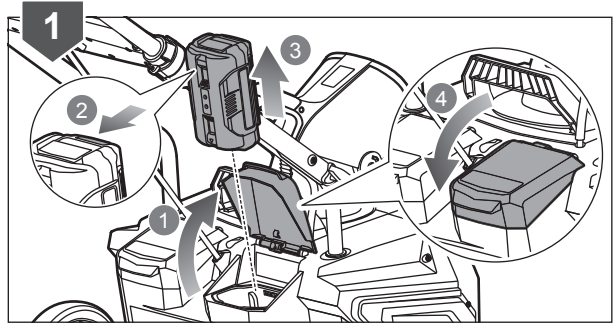
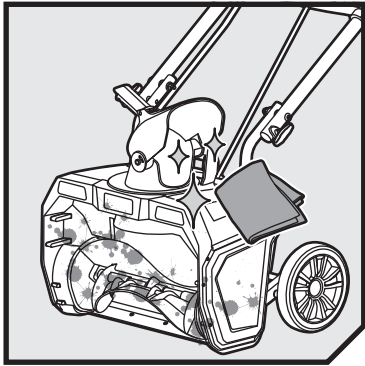


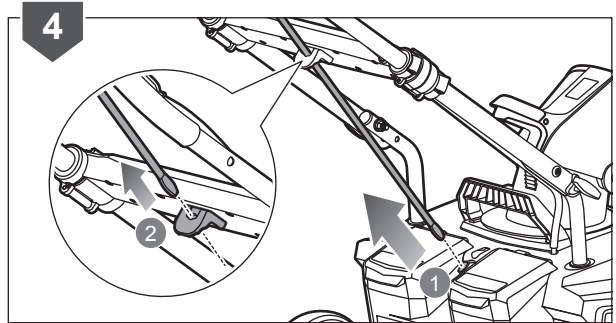
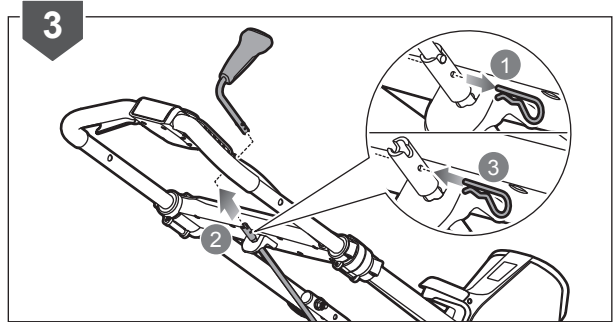
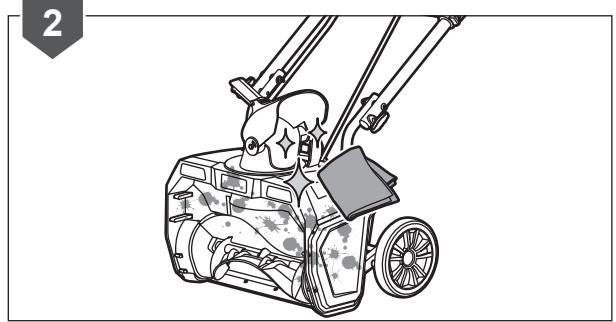
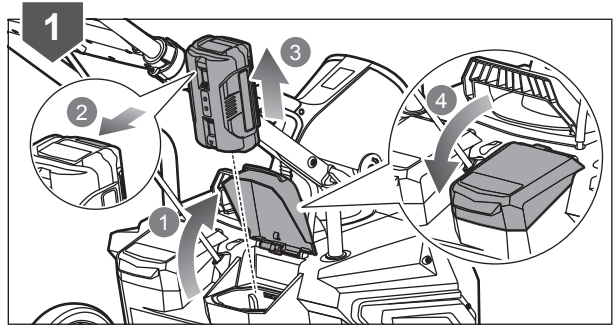
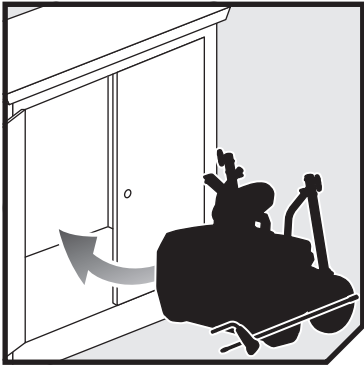


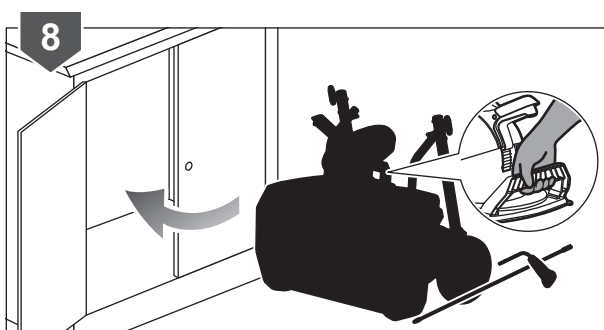
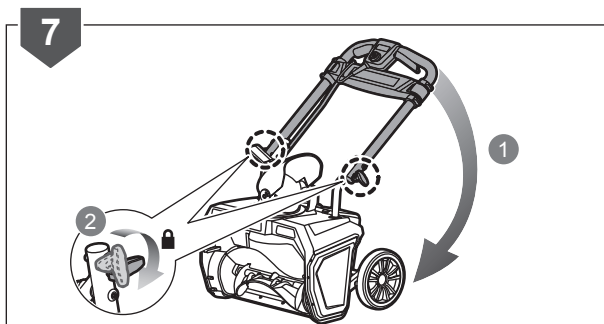
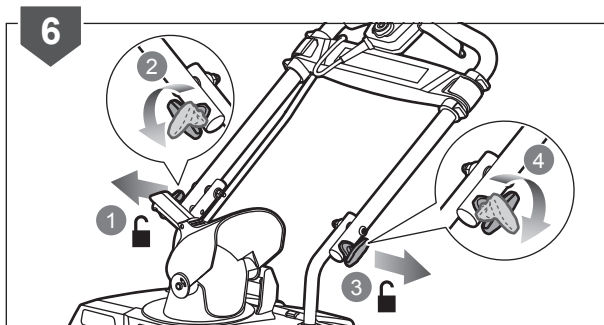
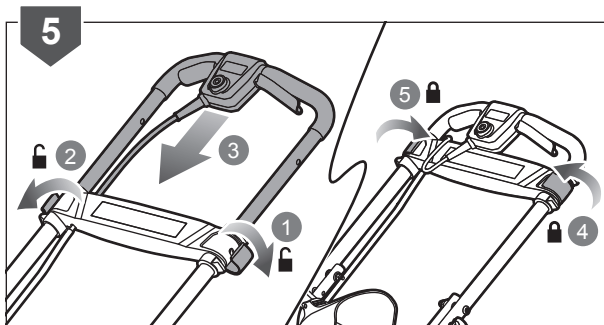












English	Français	Deutsch	Español	Italiano	Nederlands
Product specifications	Caractéristiques produit	Produkt-Spezifikationen	Especificaciones del producto	Caratteristiche del prodotto	Productgegevens
Cordless Snow Thrower	Chasse-neige Sans-Fil	Akku Schneefräse	Quitaniieves inalámbrico	Spazzaneve Senza Cavo	Snoerloze Sneeuwrees
Model	Modèle	Modell	Modelo	Modello	Model
Rated voltage	Tension nominale	Nennspannung	Tensión nominal	Voltaggio nominale	Toegekende spanning
Clearing width	Largeur de déblayage	Räumbreite	Ancho de la limpieza	Ampiezza di pulizia	Ruimbreedte
Clearing depth	Profondeur de déblayage	Räumtiefe	Profundidad de la limpieza	Profondità di pulizia	Ruimdtepte
Impeller size	Taille de la turbine	Größe Flügelrad	Tamaño del impulsor	Dimensione ventola	Schoepafmetingen
Wheel size	Dimension de roue	Radgröße	Tamaño de las ruedas	Dimensione ruota	Wielafmetingen
Throwing distance	Distance d'évacuation	Auswurf-Distanz	Distancia de lanzamiento	Distanza di lancio	Gooiafstand
No-load speed (Impeller)	Vitesse de rotation (Turbine)	Leerlaufdrehzahl (Flügelrad)	Velocidad sin carga (Impulsor)	Velocità senza carico (Gruppo ventole)	Snelheid zonder lading (Schoepen)
Weight (without battery)	Poids (sans batterie)	Gewicht (ohne Akku)	Peso (Sin batería)	Peso (Senza batteria)	Gewicht (Zonder accupak)
Vibration level	Niveau de vibrations	Vibrationsgrad	Nivel de vibración	Livello di vibrazioni	Trillingsniveau
Right handle	Poignée arrière	Rechter Haltegriff	Empuñadura derecha	Impugnatura destra	Rechter handvat
Left handle	Poignée gauche	Linker Haltegriff	Manija izquierda	Maniglia sinistra	Linker handvat
Uncertainty of measurement	Incertitude de la mesure	Unsicherheit der Messung	Incertidumbre de medición	Incertezza della misurazione	Onzekerheid bij meting
Declared vibration value	Valeur déclarée des vibrations	Angegebener Vibrationswert	Valor de vibración declarado	Valore dichiarato vibrazioni	Verklaarde trillingswaarde
Noise emission level	Niveau d'émission sonore	Geräuschemission	Nivel de emisión de ruido	Livello di emissione rumori	Niveau geluidsemisie
A-Weighted sound pressure level at operator's position	Niveau de pression sonore pondéré A au niveau de l'opérateur	A-bewerteter Schalldruckpegel an der Position des Benutzers	Nivel de presión sonora ponderado A en la posición del operario	Livello di pressione sonora ponderata A alla posizione dell'operatore	A-gewogen geluidsdrukniveau bij positie van gebruiker
Uncertainty of measurement	Incertitude de la mesure	Unsicherheit der Messung	Incertidumbre de medición	Incertezza della misurazione	Onzekerheid bij meting
A-Weighted sound power level	Niveau de puissance sonore pondéré-A	A-bewerteter Schalleistungspegel	Nivel de potencia acústica ponderada en A	Livello di potenza sonora pesato A	A-gewogen geluidsniveau
Uncertainty of measurement	Incertitude de la mesure	Unsicherheit der Messung	Incertidumbre de medición	Incertezza della misurazione	Onzekerheid bij meting
Battery and charger	Batterie et chargeur	Akku und Ladegerät	Batería y cargador	Batteria e caricatore	Accu en oplader
Compatible battery packs	Packs Batterie Compatibles	Kompatible Akkus	Paquetes de batería compatibles	Gruppo batterie compatibili	Compatibele accupacks
Compatible charger	Chargeur compatible	Kompatibles Ladegerät	Cargador compatible	Caricatore compatibile	Kompatibel oplader



Português	Dansk	Svenska	Suomi	Norsk	Русский	
Características do aparelho	Produktspecifikationer	Produktspecifikationer	Tuotteen tekniset tiedot	Produktspesifikasjoner	Характеристики изделия	
Limpa-Neves Sem Fios	Ledningsfri Sneslyngje	Sladdlösa Snöslunga	Langattoman Lumilingon	Batteridrevne Snøfeser	Беспроводного Снегоочистителя	
Modelo	Model	Modell	Malli	Modell	Модель	RST36B51
Tensão nominal	Mærkespænding	Spänning	Nimellisännite	Nominell spenning	Номинальное напряжение	DC 36V
Comprimento da limpeza	Rydningbredde	Rensningsbredd	Poistoleveys	Ryddebredde:	Ширина очистки	51 cm
Profundidade da limpeza	Rydningdybde	Rensningsdjup	Poistovyvyys	Ryddedybde:	Глубина очистки	250 mm
Tamanho do impulsor	Skovlhjulstørrelse	Bladstorlek	Siipipyörän koko	Skovlehjuldimensjon	Размер лопастного механизма	400 mm
Tamanho das rodas	Hjulstørrelse	Hjulstorlek	Pyörän koko	Hjulstørrelse:	Размер колеса	206 mm
Distância de lançamento	Udslyngningsafstand	Utkastlängd	Heittoetäisyys	Utkastavstand	Расстояние выброса	≤ 7.62 m
Velocidade sem carga (Impulsor)	Tomgangshastighed (Skovlhjul)	Hastighet utan belastning (Roterande blad)	Nopeus ilman kuormaa (Siipipyörä)	Tomgangshastighet (Skovlehjul)	Холостая скорость (Лопастной механизм)	1800 min ⁻¹
Peso (Sem bateria)	Vægt (Ingen batteri)	Vikt (Utan batteri)	Paino (Ilman akkua)	Vekt (Uten batteri)	вес (Без аккумулятора)	16.9 kg
Nível de vibração	Vibrationsniveau	Vibrationsnivå	Tärinätaso	Vibrasjonsnivå	Уровень вибрации	
Pega direita	Højre håndtag	Höger handtag	Oikea kahva	Høyre håndtak	Правая ручка	1.1 m/s ²
Punho esquerdo	Venstre håndtag	Vänster handtag	Vasen kahva	Venstre håndtak	Левая ручка	1.0 m/s ²
Incerteza de medições	Målingsusikkerhed	Osäkerhet i mätningar	Mittausten epätarkkuus	Usikkerhet ved måling	Погрешность измерения	1.5 m/s ²
Valor de vibração declarado	Deklareret vibrationsværdi	Deklarerat vibrationsvärde	Ilmoitettu tärinäarvo	Erklært vibrasjonsverdi	Заявленное значение вибрации	2.6 m/s ²
Nível de emissão de ruído	Støjemissionsniveau	Bullemnivå	Melutaso	Støyemissionsnivå	Уровень шума	
A-gewogen geluidsrukniveau bij positie van gebruiker	A-vægtet lydtryksniveau ved operatørens position	A-viktad ljudtrycksnivå vid operatörsplats	A-painotettu käyttäjään kohdistuva äänenpainetaso	Støynivåvektning ved operatørens posisjon	Амплитудно-взвешенный уровень звукового давления в рабочем месте оператора	66.7 dB(A)
Incerteza de medições	Målingsusikkerhed	Osäkerhet i mätningar	Mittausten epätarkkuus	Usikkerhet ved måling	Погрешность измерения	2.5 dB
Nível de potência sonora ponderada A	A-vægtet lydeffektniveau	A-vägd lydeffektsnivå	A-painotettu äänenteho	A-vektet lydeffektnivå	А-взвешенной звуковой мощности	83.4 dB(A)
Incerteza de medições	Målingsusikkerhed	Osäkerhet i mätningar	Mittausten epätarkkuus	Usikkerhet ved måling	Погрешность измерения	1.1 dB
Bateria e carregador	Batteri og oplader	Batteri och batteriladdare	Akku ja laturi	Batteri og lader	Аккумуляторная батарея и зарядное устройство	
Baterias Compatíveis	Kompatible batterier	Kompatibla batteripaket	Yhteensopivat akut	Kompatible batteripakker	Совместимая аккумуляторная батарея	BPL3615/BPL3626/ BPL3640/BPL3640D/ BPL3650D
Carregador compatível	Compatibele oplader	Passande laddare	Yhteensopiva laturi	Kompatibel lader	Совместимое зарядное устройство	BCL3620S/BCL3620



Polski	Čeština	Magyar	Română	Latviski	Lietuviškai
Parametry techniczne	Technické údaje produktu	Termék műszaki adatai	Specificațiile produsului	Produkta specifikācijas	Gaminio techninės savybės
Bezprzewodowej Odśnieżarki	Akumulátorové Sněhové Frézy	Az Akkumulátoros Hómaró	Frezei De Zăpadă Fără Cablu Electric	Bezvadu Sniega Pūtēja	Belaidį Sniego Valytuvą-Pūstuvą
Model	Model	Tipus	Model	Modelis	Modelis
Napięcie znamionowe	Jmenovité napětí	Névleges feszültség	Tensiunea nominală	Nominālais spriegums	Nominali įtampa
Szerokość czyszczenia	Šírka záběru	Eltakarítási szélesség	Lățime curățare	Tīrīšanas platums	Valymo plotis
Głębokość czyszczenia	Hloubka záběru	Eltakarítási mélység	Adâncime curățare	Tīrīšanas dziļums	Valymo gylis
Rozmiar wirnika	Velikost oběžného kola	Propeller mérete	Mărime rotor	Rata izmērs	Sparruotės dydis
Rozmiar koła	Velikost kola	Kerék méret	Mărime roată	Riteņa izmērs	Ratuko dydis
Odległość odrzutu	Vzdálenost odhozu	Kidobási távolság	Distanță de aruncare	Pūšanas attālums	Svidimo atstumas
Prędkość obrotowa bez obciążenia (Wirnik)	Rychlost naprázdno (Oběžné kolo)	Úresjárati fordulatszám (Propeller)	Viteză fără sarcină (Rotor)	Greitis be apkrovimo (Rats)	Greitis be apkrovimo (Sparruotė)
Ciężar (Bez akumulatora)	Hmotnost (Není vložen akumulator)	Gépsúly (Akkumulátor nélkül)	Greutate (Fără baterie)	Svars (Bez akumulatora)	Svoris (Be akumulatorinės baterijos)
Poziom drgań	Úroveň vibrací	Vibrációs szint	Nivelul vibrațiilor	Vibrācijas līmenis	Vibracijos lygis
Prawy uchwyt	Pravá rukojeť	Jobb fogantyú	Măner dreapta	Labās puses rokturis	Dešinioji rankena
Lewy uchwyt	Levá rukojeť	Bal fogantyú	Măner stânga	Kreisais rokturis	Kairysis rankena
Niepewność pomiaru	Nejistota měření	Mérés bizonytalansága	Incertitudine a măsurării.	Mērījuma mainīgums	Matmenų paklaida
Deklarowana wartość vibracji	Deklarovaná hodnota vibrací	Deklarált vibráció érték	Valoare de vibrație declarată	Noteikta vibrācijas vērtība	Deklaruota vibracijos vertė
Poziom emisji hałasu	Hladina emise hluku	Zajkiobcsátási szint	Nivel emisie zgomot	Trokšņa emisijas līmenis	Triukšmo emisijų norma
Poziom ciśnienia akustycznego w pozycji operatora	Hladina akustického tlaku vážená funkcí A v poloze obsluhy	A-súlyozott hangnyomásszint a kezelő helyén	Un nivel de presiune al sunetului mai tare la poziția operatorului.	Lietotāja pozīcijā ir ar A novērtēts skaņas spiediena līmenis.	A lygio svoris garso slėgis operatoriaus padėtyje.
Niepewność pomiaru	Nejistota měření	Mérés bizonytalansága	Incertitudine a măsurării.	Mērījuma mainīgums	Matmenų paklaida
A-ważony poziom natężenia hałasu	Hladina akustického výkonu vážená funkcí A	A-súlyozott hangteljesítményszint	Nivel de putere acustică ponderată A	A-līmeņa skaņas jaudas līmenis	A-svertinis akustinis lygis
Niepewność pomiaru	Nejistota měření	Mérés bizonytalansága	Incertitudine a măsurării.	Mērījuma mainīgums	Matmenų paklaida
Akumulator i ładowarka	Nabíječka a baterie	Akkumulátor és töltő	Bateria și încărcătorul	Akumulators un lādētājs	Akumulatorius ir įkroviklis
Pasujące akumulatory	Kompatibilní akumulátory	Kompatibilis akkumulátorok	Acumulatori compatibili	Savietojami akumulatoru komplekti	Suderinami baterijos paketai
Odpowiednia ładowarka	Kompatibilní nabíječka	Kompatibilis töltő	Încărcător compatibil	Saderīgs lādētājs	Tinkamas įkroviklis



Eesti	Hrvatski	Slovensko	Slovenčina	България	Українська	
Toote tehnilised andmed	Spetsifikacije proizvoda	Spetsifikacije izdelka	Špecifikácie produktu	Технически характеристики	Технічні характеристики продукту	
Akutoitega Lumepuhuri	Bežičnog Razgrtača Snijega	Brezžične Snežne Freze	Akumulátorového Odhadzovača Snehu	Безжичен Снегорин	Бездротовий Снігоочисник	
Mudel	Model	Model	Modelis	Модел	Модель	RST36B51
Nimipinge	Nazivni napon	Nazivna napetost	Menovité napätie	Номинален волтаж	Номинальна напруга	DC 36V
Puhastuslaius	Širina čišćenja	Širina čišćenja	Šírka odpratávania	Ширина на чистене	Ширина прибирання	51 cm
Puhastussügavaus	Dubina čišćenja	Globina čišćenja	Hĺbka odpratávania	Дълбочина на чистене	Глибина прибирання	250 mm
Tiiviku mõõt	Veličina propelera	Velikost rotorja	Rozmer lopatkového kolesa	Размер на ротора	Розмір крильчатки	400 mm
Ratta mõõt	Veličina kotača	Velikost koles	Rozmer kolesa	Размер на колелата	Розмір колеса	206 mm
Valjalaske kaugus	Udaljenost bacanja	Dolžina izmeta	Vzdialenost odhadzovania	Разстояние на изхвърляне	Відстань відкидання	≤ 7.62 m
Tühikäigukiirus (Tiivik)	Brzina bez opterećenja (Propeler)	Hitrost neobremenjenega motorja (Rotor)	Rychlost naprázdno (Lopatkové koleso)	Скорост в ненатоварен режим (Ротор)	Швидкість без навантаження (Крильчатка)	1800 min ⁻¹
Kaal (Ilma aku pakita)	Težina (Bez baterije)	Teža (Brez baterijskega)	Hmotnosť (Bez batérie)	Тегло (Без батерия)	Вага (без акумулятора)	16.9 kg
Vibratsioonitase	Razina vibracije	Raven vibracij	Úroveň vibrácií	Ниво на вибрация	Рівень вібрації	
Parempoolne käepide	Desna ručka	Desni ročaj	Pravá rukoväť	Дясна ръкохватка	Права ручка	1.1 m/s ²
Vasak käepide	Lijeva ručica	Levo ročico	Ľavá rukoväť	Лява ръкохватка	Ліва ручка	1.0 m/s ²
Mõõtmismääramatus	Neodređenost mjerenja	Negotovost meritev	Nespolahlivost' meraní	Несигурност на измерването	Невизначеність вимірювання	1.5 m/s ²
Deklareeritud vibratsiooni väärtus	Deklarirana vrijednost vibracija	Deklarirana vrednost tresljajev	Deklarovaná hodnota vibrácií	Посочена стойност на вибрациите	Заявлене значення вібрації	2.6 m/s ²
Müraemissiooni tase	Razina emitirane buke	Raven emisij hrupa	Úroveň emisii hluku	Ниво на шумова емисия	Рівень шуму	
A-kaalutud müraemissiooni rõhu tase operaatori tökohal	A-ponderirana razina zvučnog tlaka u položaju operatera	A-izmerjena raven zvočnega tlaka pri položaju upravljavca	Vážená A hladina akustického tlaku na pozícií obsluhující osoby.	Равнище А на нивото на шумовото налягане на мястото на оператора.	А-зважений рівень звукового тиску на робочому місці оператора	66.7 dB(A)
Mõõtmismääramatus	Neodređenost mjerenja	Negotovost meritev	Nespolahlivost' meraní	Несигурност на измерването	Невизначеність вимірювання	2.5 dB
A-kaalutud helivõimsuse tase	Ponderirana razina zvučne snage	A-izmerjena raven zvočne moči	Vážená A hladina akustického výkonu	Ниво на силата на шума с равнище А	А-зважений рівень звукової потужності	83.4 dB(A)
Mõõtmismääramatus	Neodređenost mjerenja	Negotovost meritev	Nespolahlivost' meraní	Несигурност на измерването	Невизначеність вимірювання	1.1 dB
Aku ja laadija	Baterija i punjač	Baterija in polnilnik	Akumulátor a nabíjačka	Батерия и зарядно устройство	Акумулятор і зарядний пристрій	
Ühilduvad akupaketid	Kompatibilna pakiranja baterija	Združljive baterije	Kompatibilné jednotky akumulátorov	Съвместими батерии	сумісність батарей	BPL3615/BPL3626/ BPL3640/ BPL3640D/ BPL3650D
Kasutatav laadija	Kompatibilni punjač	Združljiv polnillec	Kompatibilná nabíjačka	Съвместимо зарядно устройство	сумісний зарядний пристрій	BCL3620S/BCL3620



EN GUARANTEE

In addition to any statutory rights resulting from the purchase, this product is covered by a guarantee as stated below.

1. The guarantee period is 24 months for consumers and commences on the date when the product was purchased. This date has to be documented by an invoice or other proof of purchase. The product is designed and dedicated to consumer and private use only. So there is no guarantee provided in case of professional or commercial use.
2. There is, in some cases (i.e. promotion, range of tools), a possibility to extend the warranty period over the period described above using the registration on the www.ryobitools.eu website. The eligibility of the tool is clearly displayed in stores and/or on packaging. The end user needs to register his/her newly-acquired tools online within 8 days from the date of purchase. The end user may register for the extended warranty in his country of residence if listed on the online registration form where this option is valid. Furthermore, end users must give their consent to the storage of the data which are required to enter online and they have to accept the terms and conditions. The registration confirmation receipt, which is sent out by e-mail, and the original invoice showing the date of purchase will serve as proof of the extended warranty. Your statutory rights remain unaffected.
3. The guarantee covers all defects of the product during the warranty period due to defaults in workmanship or material at the purchase date. The guarantee is limited to repair and/or replacement and does not include any other obligations including but not limited to incidental or consequential damages. The warranty is not valid if the product has been misused, used contrary to the instruction manual, or being incorrectly connected. This guarantee does not apply to
 - any damage to the product that is the result of improper maintenance
 - any product that has been altered or modified
 - any product where original identification (trade mark, serial number) markings have been defaced, altered or removed
 - any damage caused by non-observance of the instruction manual
 - any non CE product
 - any product which has been attempted to be repaired by an non-qualified professional or without prior authorization by Techtronic Industries
 - any product connected to improper power supply (amps, voltage, frequency)
 - any product used with inappropriate fuel mixture (fuel, oil, percentage of oil)
 - any damage caused by external influences (chemical, physical, shocks) or foreign substances
 - normal wear and tear of spare parts
 - inappropriate use, overloading of the tool
 - use of non-approved accessories or parts
 - carburettor after 6 months, carburettor adjustments after 6 months
 - components (parts and accessories) subject to natural wear and tear, including but not limited to bump knobs, drive belts, clutch, blades of hedge trimmers or lawn mowers, harness, cable throttle, carbon brushes, power cord, tines, felt washers, hitch pins, blower fans, blower and vacuum tubes, vacuum bag and straps, guide bars, saw chains, hoses, connector fittings, spray nozzles, wheels, spray wands, inner reels, outer spools, cutting lines, spark plugs, air filters, gas filters, mulching blades, etc.
4. For servicing, the product must be sent or presented to a RYOBI authorized service station listed for each country in the following list of service station addresses. In some countries your local RYOBI dealer undertakes to send the product to the RYOBI service organisation. When sending a product to a RYOBI service station, the product should be safely packed without any dangerous contents such as petrol, marked with sender's address and accompanied by a short description of the fault.
5. A repair/replacement under this guarantee is free of charge. It does not constitute an extension or a new start of the guarantee period. Exchanged parts or tools become our property. In some countries delivery charges or postage will have to be paid by the sender.
6. This guarantee is valid in the European Community, Switzerland, Iceland, Norway, Liechtenstein, Turkey and Russia. Outside these areas, please contact your authorized RYOBI dealer to determine if another warranty applies.

AUTHORISED SERVICE CENTRE

To find an authorised service centre near you, visit <http://uk.ryobitools.eu/header/service-and-support/service-agents>.

FR GARANTIE

En plus des droits statutaires liés à l'achat, ce produit est couvert par une garantie telle que décrite ci-dessous.

1. La durée de la garantie accordée au consommateur est de 24 mois à partir de la date d'achat. Cette date doit être authentifiée par une facture ou tout autre preuve d'achat. Le produit a été conçu en vue d'une utilisation strictement privée. Aucune garantie ne s'applique donc en cas d'utilisation professionnelle ou commerciale.
2. Il existe, dans certains cas (par exemple promotion, gamme d'outils), une possibilité d'étendre la période de garantie au-delà de la période précédemment décrite en utilisant le formulaire d'enregistrement présent sur le site Internet www.ryobitools.eu. L'éligibilité d'un outil est clairement affichée dans les points de vente et/ou sur l'emballage. L'utilisateur final doit enregistrer son/ses outil(s) nouvellement acheté(s) en ligne dans les 8 jours qui suivent la date d'achat. L'utilisateur a la possibilité de s'enregistrer pour l'extension de garantie dans son pays de résidence si celui-ci est listé dans le formulaire d'enregistrement en ligne où cette option est valide. L'utilisateur final doit donner son consentement pour l'enregistrement des données requises pour accéder au site et doit accepter les termes et conditions. La confirmation d'enregistrement, envoyée par courrier électronique, ainsi que la facture originale mentionnant la date d'achat serviront de preuve de l'extension de garantie. Vos droits statutaires restent inchangés.
3. La garantie couvre les défauts des pièces et de main d'oeuvre du produit pendant la période de garantie à partir de la date d'achat. La garantie n'inclut aucune autre obligation, tel que, mais sans s'y limiter, les dommages accessoires ou indirects. La garantie est non valable en cas de mauvaise utilisation du produit, d'utilisation contraire aux instructions du mode d'emploi, ou en cas de branchement incorrect. Cette garantie ne s'applique pas pour :
 - tout dommage au produit résultant d'un mauvais entretien
 - tout produit ayant été altéré ou modifié
 - tout produit dont les marquages originaux d'identification (marque, numéro de série) ont été dégradés, altérés ou retirés
 - tout dommage causé par le non-respect des instructions du mode d'emploi
 - tout produit non CE
 - tout produit ayant subi une tentative de réparation par du personnel non qualifié ou sans autorisation préalable de Techtronic Industries
 - tout produit raccordé à une alimentation secteur non conforme (ampérage, voltage, fréquence)
 - tout produit utilisé avec un mélange inapproprié (essence, huile, pourcentage d'huile)
 - tout dommage causé par des influences extérieures (chimiques, physiques, chocs) ou par des substances étrangères
 - l'usure normale des pièces consommables
 - une utilisation inappropriée, une surcharge de l'outil
 - l'utilisation de pièces ou accessoires non agréés
 - les carburateurs après plus de 6 mois à compter de la date d'achat, également les réglages du carburateur après plus de 6 mois à compter de la date d'achat
 - les composants (pièces et accessoires) sujets à une usure naturelle, incluant de façon non exhaustive les têtes de fil à frapper, les courroies de transmission, les embrayages, les lames des taille-haies ou des tondeuses à gazon, les harnais, les câbles d'accélérateur, les charbons, les cordons d'alimentation, les fraises de cultivateurs, les rondelles feutre, les goupilles de fraise, les turbines et lame de broyage des souffleurs, les tubes de soufflage et d'aspiration des souffleurs, les sacs de souffleurs et leurs lanières, les guides-chaîne, les chaînes de tronçonneuses, les tuyaux et raccords, les buses et lances de nettoyeurs haute pression, les roues, les recharges de fil des têtes de coupe, les têtes de coupe, le fil de coupe, les bougies d'allumage, les filtres à air, les filtres à essence, etc.
4. Si le produit doit être réparé, envoyez-le à un service après-vente agréé RYOBI dont vous trouverez ci-dessous la liste pour chaque pays. Dans certains pays, votre revendeur RYOBI se chargera d'envoyer le produit à un centre de réparation RYOBI. Lorsque vous envoyez un produit à un service après-vente RYOBI, celui-ci doit être correctement emballé, sans contenir aucun produit dangereux tel que de l'essence, et vous devez indiquer votre adresse ainsi qu'une courte description du problème.
5. Une réparation / un remplacement sous garantie est gratuit(e). Ceci ne constituera pas une extension de garantie ni un nouveau départ de la période de garantie. Les pièces ou les outils remplacés deviennent notre propriété. Dans certains pays, les frais de port devront être assumés par l'expéditeur.
6. Cette garantie est valable au sein de l'Europe, de la Suisse, de l'Islande, de la Norvège, du Liechtenstein, de la Turquie, de la Russie. En dehors de ces zones, veuillez contacter votre distributeur agréé RYOBI pour déterminer si une autre garantie s'applique.

SERVICE APRÈS-VENTE AGRÉÉ

Pour trouver le service après-vente agréé le plus proche, rendez-vous sur <http://fr.ryobitools.eu/header/service-and-support/service-agents>.

DE GARANTIE

Zusätzlich zu den aufgrund des Kaufs entstehenden gesetzlichen Rechten, ist dieses Produkt von der unten aufgeführten Garantie abgedeckt.

- Die Garantiezeit für Endverbraucher beträgt 24 Monate für und beginnt ab dem Kaufdatum des Produktes. Dieses Datum muss durch eine Rechnung oder einen anderen Kaufbeleg dokumentiert sein. Das Produkt ist ausschließlich für den Privatgebrauch entwickelt und bestimmt. Deshalb wird keine Garantie im Fall von professionellem oder kommerziellem Einsatz angeboten.
- In einigen Fällen (z.B. Promotion, auf eine bestimmte Produktpalette oder auf bestimmte Produkte begrenzt) besteht die Möglichkeit die Garantiezeit über den oben genannten Zeitraum, durch Registrierung auf der Webseite www.ryobitools.eu, zu verlängern. Der verlängerte Garantieanspruch für ein bestimmtes Produkt wird deutlich in den Geschäften und/oder auf der Verpackung des Produktes gezeigt. Der Endverbraucher muss seine neu verkauften Produkte innerhalb von 8 Tagen ab Kaufdatum registrieren. Der Endverbraucher kann sich für die erweiterte Garantie im Land seines permanenten Wohnsitzes registrieren, wenn diese Möglichkeit in dem Online-Formular gegeben ist. Des weiteren müssen die Endverbraucher ihr Einverständnis zur Speicherung der online angegebenen Daten geben und die Geschäftsbedingungen annehmen. Die per E-Mail verschickte Bestätigung der Registrierung und die Originalrechnung mit Kaufdatum dienen als Nachweis für die verlängerte Garantie. Ihre gesetzlichen Rechte bleiben unangetastet.
- Die Garantie deckt während der Garantiezeit ab Kaufdatum alle Produktmängel aufgrund von Material- oder Herstellungsmängeln ab. Diese Garantie ist auf Reparatur und/oder Ersatz beschränkt und enthält keine weiter Verpflichtungen einschließlich aber nicht beschränkt auf beiläufige oder resultierende Schäden. Die Garantie ist nicht gültig, wenn das Produkt missbräuchlich oder entgegen der Bedienungsanleitung benutzt, oder falsch angeschlossen wurde. Diese Garantie gilt nicht für:
 - Jegliche Schäden die an dem Produkt aufgrund falscher Wartung entstehen.
 - Jedes Produkt das verändert oder modifiziert wurde.
 - Jedes Produkt an dem die originale Identifizierung (Markenzeichen, Seriennummer) verunstaltet, verändert oder entfernt wurden.
 - Jede Beschädigung die durch Nichtbeachtung der Bedienungsanleitung verursacht wurde.
 - Jedes Produkt ohne CE Zeichen.
 - Jedes Produkt das von einer unqualifizierten Person oder ohne vorherige Genehmigung von Techtronic Industries versucht wurde zu reparieren.
 - Jedes Produkt das an eine falsche Stromversorgung (Ampere, Spannung, Frequenz) angeschlossen wurde.
 - Jedes Produkt das mit einer falschen Treibstoffmischung (Treibstoff, Öl, Prozentanteil von Öl) betrieben wurde.
 - Jede Beschädigung die von äußeren Einflüssen (chemisch, physisch, Stöße) oder fremden Substanzen verursacht wurde.
 - Normaler Verschleiß und Abnutzung von Ersatzteilen.
 - Zweckwidrige Benutzung, Überlastung des Werkzeugs.
 - Benutzung von nicht zugelassenem Zubehör oder Teilen.
 - Den Vergaser nach 6 Monaten, die Vergasereinstellung nach 6 Monaten.
 - Teile (Teile und Zubehörteile) die normalem Verschleiß unterliegen, einschließlich aber nicht beschränkt auf Fadenköpfe, Antriebsriemen, Kupplungen, Klängen von Heckenschneidern oder Rasenmähern, Gurtzeug, Gaszügen, Kohlebürsten, Netzkabel, Zinken, Filzunterlegscheiben, Anhangstifte, Gebläse, Gebläse- und Saugschläuche, Saugbeutel und Riemen, Führungsschienen, Sägeketten, Schläuche, Anschlüsse, Sprühdüsen, Räder, Sprühdüsen, innere Rollen, äußere Spulen, Schneidfäden, Zündkerzen, Luftfilter, Treibstofffilter, Mulchmesser usw.
- Zur Wartung muss das Produkt eingeschickt werden oder einem für jedes Land in der folgenden Liste aufgeführten autorisierten RYOBI Kundendienst gebracht werden. In einigen Ländern schickt Ihr örtlicher RYOBI Händler das Produkt an den RYOBI Kundendienst. Wenn ein Produkt an den RYOBI Kundendienst geschickt wird, sollte es sicher verpackt werden, ohne gefährlichen Inhalt, wie Treibstoff, mit der Absenderadresse versehen sein und eine kurze Beschreibung des Fehlers enthalten.
- Reparatur/Ersatz unter dieser Garantie sind kostenfrei. Das stellt keine Verlängerung oder Neustart der Garantiezeit dar. Ausgewechselte Teile oder Werkzeuge treten in unseren Besitz über. In einigen Ländern müssen Lieferkosten oder Postgebühren von dem Absender getragen werden.
- Diese Garantie gilt in der Europäische Gemeinschaft, Schweiz, Island, Norwegen, Liechtenstein, Türkei und Russland. Bitte kontaktieren Sie Ihren autorisierten RYOBI-Händler, um herauszufinden ob eine andere Gewährleistung außerhalb dieser Gebiete gültig ist.

AUTORISIERTER KUNDENDIENST

Besuchen Sie <http://de.ryobitools.eu/header/service-and-support/service-agents>, um einen autorisierten Kundendienst in Ihrer Nähe zu finden.

ES GARANTÍA

Además de cualquier derecho estatutario derivado de la compra, este producto está cubierto con la siguiente garantía.

- El período de garantía es de 24 meses para los consumidores y comienza a partir de la fecha de compra del producto. Esta fecha debe demostrarse con una factura u otra prueba de compra. El producto está diseñado y destinado al consumidor y únicamente para uso privado. Por tanto, no se ofrece ninguna garantía en caso de uso profesional o comercial.
- En algunos casos (como promociones o un conjunto de herramientas) existe la posibilidad de ampliar el período de garantía hasta el período descrito anteriormente mediante el registro en el sitio web www.ryobitools.eu. La elegibilidad de la herramienta se muestra claramente en las tiendas o en el embalaje. El usuario final debe registrar sus herramientas recién adquiridas en línea en los 8 días siguientes a la fecha de compra. El usuario final podrá registrarse para ampliar la garantía en su país de residencia si éste aparece en el formulario de registro en línea en que esta opción es válida. Además, los usuarios finales deben dar su consentimiento para que se guarden los datos que se solicitan para entrar en línea y aceptar los términos y condiciones. El recibo de la confirmación de registro, que se enviará por correo electrónico, y la factura original que muestre la fecha de compra servirán como prueba de la ampliación de la garantía. Sus derechos estatutarios permanecerán intactos.
- La garantía cubre, durante el período de garantía, todos los defectos del producto que se deban a fallos de la mano de obra o a fallos del material en la fecha de compra. La garantía tiene un límite de reparación o sustitución y no incluye ninguna otra obligación se deba a, aunque sin limitarse a ello, daños accidentales o incidentales. La garantía no es válida si se ha hecho un uso inadecuado del producto, si no se ha usado siguiendo el manual de instrucciones o si se ha conectado incorrectamente. Esta garantía no se aplica a:
 - cualquier daño del producto derivado de un mantenimiento inadecuado
 - cualquier producto que haya sido alterado o modificado
 - cualquier producto en el que las marcas de identificación originales (marca comercial, número de serie) hayan sido borradas, modificadas o eliminadas
 - cualquier daño causado por el incumplimiento del manual de instrucciones
 - cualquier producto que no sea CE
 - cualquier producto que haya intentado reparar un profesional no cualificado o sin una autorización previa de Techtronic Industries
 - cualquier producto conectado a un suministro eléctrico inadecuado (amperios, tensión, frecuencia)
 - cualquier producto utilizado con una mezcla de combustible inadecuada (combustible, aceite, porcentaje de aceite)
 - cualquier daño causado por influencias externas (de productos químicos, daños físicos, descarga eléctrica) o sustancias extrañas
 - desgaste o rotura normal de las piezas de repuesto
 - uso inadecuado, sobrecarga de la herramienta
 - uso de accesorios o piezas no homologados
 - carburador después de 6 meses, ajustes del carburador después de 6 meses
 - componentes (piezas y accesorios) sujetos a un desgaste o rotura natural, incluyendo, aunque sin limitarse a ello, las perillas de las bombas, correas de transmisión, embrague, cuchillas de cortasetos o cortacéspedes, arnés, acelerador, escobillas de carbón, cable de alimentación, horquillas, arandelas de fieltro, pasadores de enganche, ventiladores, tubos de ventilador y de vacío, correas y bolsas de vacío, barras de guía, sierras de cadena, mangueras, accesorios de conexión, boquillas pulverizadoras, ruedas, varas rioradoras, carretes interiores y exteriores, hilos de corte, bujías, filtros de aire, filtros de gas, cuchillas de trituración, etc.
- Para el servicio, el producto debe enviarse o entregarse en un punto de servicio técnico autorizado RYOBI enumerado para cada país en la siguiente lista de direcciones de servicio técnico. En algunos países su distribuidor local RYOBI se encarga de enviar el producto a la organización del servicio de RYOBI. Al enviar un producto a un punto de servicio técnico RYOBI, el producto debe embalarse de forma segura sin que contenga ninguna sustancia peligrosa como petróleo, debe llevar la dirección del remitente e ir acompañado de una breve descripción del fallo.
- Una reparación/sustitución dentro de esta garantía se realiza de forma gratuita. No constituye una ampliación ni un reinicio del período de garantía. Las piezas o herramientas que se cambian pasan a ser de nuestra propiedad. En algunos países los gastos de envío o del franqueo deberán pagarlos el remitente.
- Esta garantía es válida en la Comunidad Europea, Suiza, Islandia, Noruega, Liechtenstein, Turquía y Rusia. Fuera de estas zonas, póngase en contacto con su distribuidor autorizado RYOBI para determinar si se aplica otra garantía.

SERVICIO TÉCNICO AUTORIZADO

Para encontrar el servicio técnico autorizado más cercano, visite <http://uk.ryobitools.eu/header/service-and-support/service-agents>.



IT GARANZIA

Oltre ai legittimi diritti derivanti dall'acquisto del prodotto, quest'ultimo è coperto da garanzia come indicato nei seguenti punti.

1. Il periodo di garanzia per il consumatore è di 24 mesi ed ha inizio dalla data in cui il prodotto è stato acquistato. Questa data deve essere documentata da una ricevuta o da altra prova d'acquisto. Il prodotto è stato disegnato e progettato solo per l'utilizzo privato del consumatore. La garanzia viene invalidata in caso di utilizzo professionale o commerciale.
2. In alcuni casi (per esempio promozioni e gamme di prodotti) esiste la possibilità di estendere il periodo di garanzia oltre il periodo indicato sopra registrandosi sul sito web www.ryobitools.eu. L'idoneità del prodotto a rievolvere tale estensione viene indicata chiaramente nei punti vendita e/o sull'imballo. L'utente finale deve registrare il suo prodotto appena acquistato online entro 8 giorni dalla data d'acquisto. L'utente finale può accedere all'offerta nel suo paese quando la stessa è valida e qualora si sia registrato online. Inoltre, gli utenti finali devono dare il proprio consenso all'archiviazione dei dati che si inseriscono online indicando che i termini e le condizioni sono stati accettati. La ricezione della conferma della registrazione verrà inviata via email e la fattura originale indicante la data d'acquisto verrà utilizzata come prova della garanzia estesa. I diritti legittimi dell'utente rimarranno invariati.
3. La garanzia copre tutti i difetti di fabbricazione del prodotto durante il periodo di garanzia a causa di guasti di fabbricazione o di materiale alla data di acquisto. La garanzia è limitata alla riparazione e/o alla sostituzione e non include altri obblighi compreso ma non limitato a danni incidentali o consequenziali. La garanzia non è valida se il prodotto non è stato utilizzato come indicato nel manuale di istruzioni o se è stato collegato in maniera non corretta. La garanzia non si applica a:
 - qualsiasi danno al prodotto che sia il risultato di una scorretta manutenzione
 - qualsiasi prodotto che sia stato alterato o modificato
 - qualsiasi prodotto sul quale l'identificazione originale (marchio registrato, numero di serie) sia stata resa illegibile, sia stata danneggiata o alterata
 - qualsiasi danno causato dalla non osservanza del manuale d'istruzioni
 - qualsiasi prodotto non contrassegnato con il marchio CE
 - qualsiasi prodotto che una persona non qualificata abbia tentato di riparare o che si è tentato di riparare senza l'autorizzazione delle Techtronisianoc Industries
 - qualsiasi prodotto collegato a un'alimentazione non corretta (per amp, voltaggio, frequenza)
 - qualsiasi prodotto utilizzato con la miscela scorretta di carburante (carburante, olio, percentuale d'olio)
 - qualsiasi danno causato da agenti esterni (chimici, fisici o shock) o da sostanze estranee
 - normale usura di parti di ricambio
 - utilizzo non appropriato, sovraccaricamento di utensili
 - utilizzo non approvato di accessori o parti
 - carburatore dopo 6 mesi, regolazioni al carburatore dopo 6 mesi
 - componenti (parti e accessori) soggetti alla normale usura, compreso ma non limitato a manopole di avviamento a spinta, cinghie di trasmissione, frizione, lame di sfrondatori o tagliaerba, cablaggio, cavo dell'acceleratore, spazzole al carbonio, cavi dell'alimentazione, lancette, rondelle in feltro, perni di aggancio, ventole del soffiatore, tubi del soffiatore e dell'aspirapolvere, sacchetti e cinghie dell'aspirapolvere, barre di guida, catene della motosega, tubi, raccordi del connettore, ugelli a spruzzo, ruote, bacchette a spruzzo, bobine interne, bobine esterne, fili di taglio, candele, filtri dell'aria, filtri del gas, lame di triturazione, ecc.
4. Per servizi di manutenzione, il prodotto dovrà essere mandato o presentato presso un punto di servizio clienti autorizzato RYOBI indicato nella seguente lista. In alcune nazioni il rivenditore RYOBI si occuperà di inviare il prodotto al più vicino servizio clienti RYOBI. Quando si invia un prodotto a un servizio clienti RYOBI, il prodotto dovrà essere correttamente imballato senza eventuali contenuti pericolosi quali carburanti, e contrassegnato con l'indirizzo della persona che lo ha inviato e accompagnato da una breve descrizione del problema riscontrato.
5. Si garantisce una riparazione/sostituzione gratuita quando il prodotto è coperto da garanzia. Questa sostituzione o riparazione non costituisce una estensione o un nuovo inizio di un periodo di garanzia. Le parti o l'utensile cambiati sono di proprietà della ditta. In alcune nazioni i costi di consegna o invio dovranno essere pagati dalla persona che spedisce.
6. Questa garanzia è valida all'interno della Comunità Europea, in Svizzera, Islanda, Norvegia, Liechtenstein, Turchia e Russia. Al di fuori di queste aree, si prega di contattare il proprio gestore autorizzato RYOBI per determinare se si applica un'altra garanzia.

CENTRO SERVIZI AUTORIZZATO

Per individuare il più vicino centro servizi autorizzato, visitare il sito <http://uk.ryobitools.eu/header/service-and-support/service-agents>.

NL GARANTIE

Bovenop de statutaire rechten als gevolg van de aankoop, wordt dit product gedekt door een garantie, zoals deze hieronder wordt beschreven.

1. De garantietermijn bedraagt 24 maanden voor consumenten en begint vanaf de datum waarop het product werd aangekocht. Deze datum moet worden gedocumenteerd door een factuur of ander aankoopbewijs. Het product is uitsluitend ontworpen en bedoeld voor particuliere gebruikers. De garantie vervalt bij professioneel of commercieel gebruik.
2. In enkele gevallen (vb. promotie, gereedschapsaanbod) bestaat er een mogelijkheid om de garantietermijn te verlengen met dezelfde periode als deze hierboven beschreven met behulp van de registratie op de website www.ryobitools.eu. Of het product al of niet in aanmerking komt, is duidelijk aangegeven in winkels en/of de verpakking. De eindgebruiker dient zijn/haar nieuw werktuig binnen de 8 dagen na de aankoopdatum online registreren. De eindgebruiker kan zich aanmelden voor de uitgebreide garantie in zijn verblijfsland als dit op het online registratieformulier is opgenomen wanneer deze optie geldig is. Bovendien moet de eindgebruiker zijn toestemming geven om informatie te gebruiken die nodig is om toegang te krijgen tot de website en dient de algemene voorwaarden te accepteren. Het ontvangstbewijs van dit registratieformulier, dat via e-mail wordt verzonden, en de originele factuur die de aankoopdatum vermeldt dienen als bewijs van de uitgebreide garantie. Uw statutaire rechten blijven onveranderd.
3. De garantie dekt alle defecten van het product gedurende de garantietermijn als gevolg van fouten in het werk of materiaal op de aankoopdatum. De garantie is beperkt tot de reparatie en/of vervanging en omvat geen andere verplichtingen waaronder, maar niet beperkt tot, incidentele of gevolgschade. De garantie is niet geldig als het product werd misbruikt, in tegenspraak met de gebruiksaanwijzing werd gebruikt of foutief werd verbonden. Deze garantie geldt niet voor:
 - schade aan het product als gevolg van foutief onderhoud
 - als het product op enigerlei wijze werd gewijzigd
 - als originele markeringen ter identificatie (handelsmerk, serienummer) van het product werden verwijderd of gewijzigd
 - voor schade als gevolg van het niet in acht nemen van deze gebruiksaanwijzing
 - een niet EC-product
 - een product, waaraan een niet-gekwalificeerde vakman reparaties uitvoerde of waaraan reparaties werden uitgevoerd zonder voorafgaande toestemming van Techtronic Industries
 - een product dat werd aangesloten aan een foutieve krachtbron (amps, spanning, frequentie)
 - een product dat met een ongeschikt brandstofmengsel (brandstof, olie, oliepercentage) werd gebruikt
 - schade veroorzaakt door externe invloeden (chemische, fysieke schokken) of vreemde stoffen
 - normale slijtage van reserve-onderdelen
 - foutief gebruik, overbelasting van het werktuig
 - gebruik van niet-goedgekeurde accessoires of onderdelen
 - de carburator na 6 maanden, carburatorafstellingen na 6 maanden
 - componenten (onderdelen en accessoires) die onderworpen zijn aan slijtage, met inbegrip van, maar niet beperkt tot stookknoppen, aandrijfriemen, koppeling, snijbladen van heggentrimmers of grasmaaimachines, harnassen, versnellingskabels, koolborstels, stroomsnoeren, tanden, viltrepen, trekpenen, ventilatoren, blazer- en vacuümbuizen, stofzuigzakken en -riemen, geleiders, zaagkettingen, slangen, connectoren, sproeimodellen, wielen, sproeiers, inwendige spoelen, uitwendige spoelen, maaijlijnen, bougies, luchtfilters, gasfilters, struikruimbladen, etc.
4. Voor onderhoud moet het product naar een geautoriseerd RYOBI-onderhoudsstation worden gestuurd of gebracht. Een lijst met de adressen van deze stations per land is hier opgenomen. In bepaalde landen verzendt uw plaatselijke RYOBI-verdeler het product naar de RYOBI-onderhoudsorganisatie. Als een product naar een RYOBI-onderhoudsstation wordt gezonden, moet het product veilig zijn verpakt zonder gevaarlijke inhoud, zoals benzine, met aanduiding van het adres van de verzender en met inbegrip van een korte beschrijving van de fout.
5. Een reparatie/vervanging onder deze garantie is gratis. Dit heeft geen gevolgen voor de duur van deze garantie of betekent niet dat de garantie wordt verlengd of opnieuw begint. Vervangen onderdelen of werktuigen worden onze eigendom. In bepaalde landen moeten verzendings- of leveringskosten door de verzender worden betaald.
6. Deze garantie is geldig in de Europese Unie, Zwitserland, IJsland, Noorwegen, Liechtenstein, Turkije en Rusland. Buiten deze landen neemt u contact op met uw geautoriseerde RYOBI-verdeler om te bepalen of er een andere garantie geldt is.

GEAUTORISEERD ONDERHOUDSCENTRUM

Om een geautoriseerd onderhoudscentrum in uw buurt te vinden, surf u naar <http://uk.ryobitools.eu/header/service-and-support/service-agents>.



PT GARANTIA

Além de qualquer direito estatutário derivado da compra, este produto está coberto com a seguinte garantia.

- O período de garantia é de 24 meses para os consumidores e começa a partir da data de compra do produto. Esta data deve ser comprovada com uma factura ou outra prova de compra. O produto foi desenhado e destinado ao consumidor e apenas para uso privado. Portanto, não se oferece qualquer garantia em caso de uso profissional ou comercial.
- Em alguns casos (como promoções ou um conjunto de ferramentas) existe a possibilidade de ampliar o período de garantia até ao período descrito anteriormente através do registo no website www.ryobitools.eu. A elegibilidade da ferramenta mostra-se claramente nas lojas ou na embalagem. O utilizador final deve registar as suas ferramentas recém-adquiridas on-line nos 8 dias seguintes à data de compra. O utilizador final poderá registar-se para ampliar a garantia no seu país de residência se este aparecer no formulário de registo on-line em que esta opção é válida. Além disso, os utilizadores finais devem dar o seu consentimento para se guardarem os dados que se solicitam para entrar on-line e aceitar os termos e condições. A confirmação de registo, que será enviada por correio electrónico, e a factura original que mostre a data de compra servirão como prova da ampliação da garantia. Os seus direitos estatutários permanecerão intactos.
- A garantia cobre, durante o período de garantia, todos os defeitos do produto que se devam a falhas da mão-de-obra ou a falhas do material na data de compra. A garantia tem um limite de reparação ou substituição e não inclui qualquer outra obrigação que se deva a, embora sem se limitar a tal, danos acidentais ou incidentais. A garantia não é válida se se fez um uso inadequado do produto, se não se usou seguindo o manual de instruções ou se foi ligado incorrectamente. Esta garantia não se aplica a:
 - qualquer dado do produto derivado de uma manutenção inadequada
 - qualquer produto que tenha sido alterado ou modificado
 - qualquer produto em que as marcas de identificação originais (marca comercial, número de série) tenham sido apagadas, modificadas ou eliminadas
 - qualquer dano causado por incumprimento do manual de instruções
 - qualquer produto que não seja CE
 - qualquer produto que um profissional não qualificado tenha tentado reparar ou sem uma autorização prévia de Techtronic Industries
 - qualquer produto ligado a um fornecimento eléctrico inadequado (ampérios, tensão, frequência)
 - qualquer produto utilizado com uma mistura de combustível inadequada (combustível, óleo, percentagem de óleo)
 - qualquer dano causado por influências externas (de produtos químicos, danos físicos, descarga eléctrica) ou substâncias estranhas
 - desgaste ou ruptura normal das peças de substituição
 - uso inadequado, sobrecarga da ferramenta
 - uso de acessórios ou peças não homologadas
 - carburador após 6 meses, ajustes do carburador após 6 meses
 - componentes (peças e acessórios) sujeitos a um desgaste ou ruptura natural, incluindo, embora sem se limitar a tal, os botões de embate, correias de transmissão, embraiagem, lâminas de corta-arbustos ou corta-relvas, ameses, acelerador, escovas de carvão, cabo de alimentação, forquilhas, anilhas de feltro, passadores de gancho, ventiladores, tubos de ventilador e de vácuo, correias e bolsas de vácuo, barras de guia, serras de cadeia, mangueiras, acessórios de ligação, boquilhas pulverizadoras, rodas, varas borrifadoras, carretes interiores e exteriores, fios de corte, velas, filtros de ar, filtros de gás, lâminas de trituração, etc.
- Para o serviço, o produto deve ser enviado ou entregue num ponto de serviço técnico autorizado RYOBI enumerado para cada país na seguinte lista de moradas de serviço técnico. Em alguns países o seu distribuidor local RYOBI encarrega-se de enviar o produto para a organização do serviço de RYOBI. Ao enviar um produto a um ponto de serviço técnico RYOBI, o produto deve ser embalado de forma segura sem que contenha qualquer substância perigosa como petróleo, deve levar a morada do remetente e ir acompanhado de uma breve descrição da falha.
- Uma reparação/substituição dentro desta garantia realiza-se de forma gratuita. Não constitui uma ampliação nem um reinício do período de garantia. As peças o ferramentas que se alterem passam a ser da nossa propriedade. Em alguns países os gastos de envio ou da franquia deverá pagá-los o remetente.
- Esta garantia é válida na Comunidade Europeia, Suíça, Islândia, Noruega, Liechtenstein, Turquia e Rússia. Fora destas zonas, entre em contacto com o seu distribuidor autorizado RYOBI para determinar se se aplica outra garantia.

CENTRO DE ASSISTÊNCIA AUTORIZADO

Para encontrar um centro de assistência autorizado próximo de si, visite <http://uk.ryobitools.eu/header/service-and-support/service-agents>.

DA GARANTI

Ud over de lovbestemte rettigheder ved køb, er dette produkt dækket af en garanti som angivet nedenfor.

- Garantien er 24 måneder for forbrugerne og træder i kraft den dato, hvor produktet bliver købt. Denne dato skal dokumenteres af en faktura eller andet købsbevis. Produktet er designet og beregnet til privat brug. Så der er ingen garanti i tilfælde af erhvervs-mæssig brug.
- Der er i visse tilfælde (f.eks. kampagner eller udvalgt produkter) mulighed for at forlænge garantien i perioden beskrevet ovenfor ved at registrere produktet på www.ryobitools.dk. Berettigelsen af produktet vises tydeligt i butikker og / eller på emballagen. Slutbrugeren skal registrere hans/hendes nyhvervede produkter online indenfor 8 dage fra købsdatoen. Slutbrugeren kan tilmelde sig den udvidede garanti i sit bopælsland, hvis det er opført på den online tilmeldingsformular. Desuden skal slutbrugere give deres samtykke til lagring af de data, der er nødvendige for at komme ind på nettet, og de er nødt til at acceptere vilkår og betingelser. Kvittingen på modtagelsen af registreringen, som udsendes via e-mail, og den originale faktura, der angiver købsdatoen, fungerer som bevis på den udvidede garanti. Dine lovbestemte rettigheder forblive uændret.
- Garantien dækker alle fejl ved produktet i løbet af garantiperioden, som kan føres tilbage til fabriktions- eller materialefejl på købsdatoen. Garantien begrænser sig til reparation og/eller udskidning og omfatter ikke andre forpligtelser inklusiv, men ikke begrænset til, skader eller følgeskader. Garantien er ikke gyldig, hvis produktet har været udsat for misbrug, anvendelse i strid med brugsanvisningen eller har været tilsluttet forkert. Denne garanti dækker ikke:
 - Enhver skade på produktet som følge af ukorrekt vedligeholdelse
 - Ethvert produkt, som er blevet ændret eller modificeret
 - Ethvert produkt, hvor de originale identifikationsmærker (varemærke, serienummer) er blevet ødelagt, ændret eller fjernet
 - Enhver skade, der skyldes manglende overholdelse af brugsanvisningen
 - Ethvert produkt uden CE-mærkning
 - Ethvert produkt, som har været udsat for forsøg på reparation af en uautoriseret fagmand eller uden accept fra Techtronic Industries
 - Ethvert produkt, der har været sluttet til forkert strømforsyning (ampere, spænding, frekvens)
 - Ethvert produkt, der har været anvendt med forkert brændstofblanding (brændstof, olie, olieforhold)
 - Enhver skade, der skyldes udefra kommende påvirkninger (kemisk, fysisk, stød) eller fremmedlegemer
 - Normal slitage på reservedele
 - Forkert anvendelse, overbelastning af produktet
 - Brug af ikke-godkendt tilbehør eller (reserve)dele
 - Karburator efter 6 måneder, karburatorjusteringer efter 6 måneder
 - komponenter (dele og tilbehør), der har været udsat for naturlig slitage, inklusiv, men ikke begrænset til, afstandsknopper, drivremme, kobling, klinger på hækkeklippere eller plæneklippere, seler, gaskabel, kulbørster, strømforsyningskabel, knive, filtknive, låsestifte, blæseventilatorer, blæse- og indsgningsrør, sugepose og stropper, styresværd, savkæder, slanger, tilslutningsfittings, sprøjtedyser, hjul, sprøjtestave, indvendige hjul, udvendige spoler, skæretråd, tændrør, luftfiltre, gasfiltre, bioklip-klinger, mv.
- Til servicering skal produktet indleveres til eller forevises et autoriseret RYOBI serviceværksted for det pågældende land. I nogle lande vil din lokale RYOBI-forhandler sende produktet til RYOBI's serviceorganisation. Når et produkt indleveres til et RYOBI serviceværksted, skal det emballeres forsvarligt uden farligt indhold (som f.eks. benzin), være forsynet med afsenderadresse og ledsaget af en kort beskrivelse af fejlen.
- Reparation/udskifning i henhold til denne garanti er gratis. Den medfører ikke forlængelse eller ny start af garantiperioden. Udskiftede dele eller værktøjer overgår til vores ejendom. I nogle lande skal leveringsomkostninger eller porto betales af afsenderen.
- Denne garanti er gyldig i EU, Schweiz, Island, Norge, Liechtenstein, Tyrkiet og Rusland. Uden for disse områder bedes man venligst kontakte sin autoriserede RYOBI-forhandler for at få opklaret, om evt. andre garantier er gældende.

AUTORISERED SERVICE/VERKSTEDER

Find nærmeste autoriserede serviceværksted på <http://dk.ryobitools.eu/header/service-and-support/service-agents>.

SV GARANTI

Förutom de lagstadgade rättigheter som följer köpet omfattas denna produkt av en garanti som anges nedan.

- Garantitiden är 24 månader för konsumenter och börjar den dag då produkten köptes. Detta datum måste kunna dokumenteras av en faktura eller annat inköpsbevis. Produkten är utformad och avsedd för konsumenter och ska endast användas för privat bruk. Det innebär att ingen garanti lämnas vid yrkesmässig eller kommersiell användning.
- I vissa fall (t.ex. marknadsföring, sortiment av verktyg), finns det en möjlighet att förlänga garantitiden under den period som beskrivs ovan genom registrering på hemsidan www.ryobitools.eu. De verktyg det gäller för framgår tydligt i butikern och/eller på förpackningen. Slut användaren måste registrera sitt nyinköpta verktyg på nätet inom 8 dagar från inköpsdatum. Slut användaren kan registrera sig för den utökade garantitiden i sitt hemland om det framgår på registreringsformuläret online där detta alternativ är giltigt. Dessutom måste slut användarna ge sitt samtycke till lagring av de uppgifter som krävs för att komma in på nätet och de måste godkänna villkoren. Registreringens mottagningsbevis som skickas ut via e-post och den ursprungliga fakturan som visar inköpsdatum fungerar som bevis på förlängd garantitid. Dina lagstadgade rättigheter påverkas inte.
- Garantin täcker alla fel på produkten under garantitiden som beror på fel i utförande eller material vid inköpsdatumet. Garantin är begränsad till reparation och/eller utbyte och inkluderar inte några andra åtaganden, inklusive men inte begränsat till oförutsedda skador eller följdskador. Garantin gäller inte om produkten har använts på fel sätt, använts på ett sätt som inte följer användarhandboken eller som har anslutits på ett felaktigt sätt. Denna garanti gäller inte för:
 - skador på produkten som beror på felaktigt underhåll
 - om produkten har ändrats eller modifierats
 - en produkt där den ursprungliga identifieringen (varumärke, serienummer) har förstörts, ändrats eller tagits bort
 - skador som orsakas av att användarhandboken inte har följts
 - alla produkter som inte följer CE-bestämmelser
 - en produkt som en icke-kvalificerad yrkesperson eller en person som inte har behörighet från Technronic Industries har försökt att reparera
 - en produkt som ansluts till eluttaget (ampere, spänning, frekvens) på fel sätt
 - en produkt som används med olämplig bränsleblandning (bränsle, olja, procent av olja)
 - skador som orsakas av yttre påverkan (kemiska, fysikaliska, stötar) eller främmande ämnen
 - normalt slitage av reservdelar
 - felaktig användning, överbelastning av verktyget
 - användning av icke-godkända tillbehör eller delar
 - förgasare efter 6 månader, justering av förgasare efter 6 månader
 - komponenter (delar och tillbehör) med förbehåll för normalt slitage, inklusive men inte begränsat till stötknappar, drivremmar, koppling, blad av häcksaxar eller gräsklippare, sele, kabelhållare, kolborstar, nätkabel, pinnar, filtbrickor, hitchkopplingar, blåsfåtkar, fläkt- och vakuumpör, vakuumpåse och remmar, ledskenor, sågkedjor, slangar, anslutningar, sprutmunstycken, hjul, sprayanordningar, inre spolar, yttre spolar, skärande linjer, tändstift, luftfilter, gasfilter, marktäckningsblad, osv.
- För service, måste produkten skickas eller presenteras till en RYOBI-godkänd servicestation som anges för varje land i följande lista med adresser. I vissa länder ombesörjer den lokala RYOBI-återförsäljaren att skicka produkten till RYOBI-serviceorganisationen. När en produkt skickas till en RYOBI-servicestation, ska produkten förpackas på ett säkert sätt utan farligt innehåll som bensin, märkt med avsändarens adress tillsammans med en kort som beskriver felet.
- En reparation/utbyte som sker under denna garanti är gratis. Den utgör inte en förlängning eller en ny start på garantitiden. Utbyts delar eller verktyg blir vår egendom. I vissa länder måste leveranskostnader eller porto betalas av avsändaren.
- Denna garanti gäller i EU, Schweiz, Island, Norge, Liechtenstein, Turkiet och Ryssland. Utanför dessa områden ska du kontakta din auktoriserade RYOBI-återförsäljare för att avgöra om en annan garanti gäller.

AUKTORISERAT SERVICECENTER

Du hittar närmaste auktoriserade servicecenter genom att gå till <http://uk.ryobitools.eu/header/service-and-support/service-agents>.

FI TAKUU

Hankinnasta kuitioivien laillisten oikeuksien lisäksi tätä tuotetta hallitsee alla kuvattu takuu.

- Takuukausi on 24 kuukautta kuluttajille ja alkaa tuotteen ostopäivästä. Tämän päivän on oltava merkitty kuittiin tai muuhun todisteseen hankinnasta. Tämä tuote on suunniteltu ja tarkoitettu ainoastaan kuluttajien yksityiskäyttöön. Ammatti- ja kaupalliseen käyttöön ei näin ollen ole takuuta.
- Joissain tapauksissa (kuten tarjous, laitesarjat) takuukautta voidaan pidentää kuvattua kautta pidemmäksi rekisteröimällä tuote osoitteessa www.ryobitools.eu. Takuun pidentämishetimitä ilmoitetaan selkeästi kaupassa jätät pakkaussessa. Loppukäyttäjän on rekisteröitävä uusi laitteensa online 8 päivän sisällä sen hankkimisesta. Loppukäyttäjän voi rekisteröityä saadakseen jatkettua takuun asuinmaassaan, jos se mainitaan online-rekisteröintilomakkeessa. Lisäksi, loppukäyttäjän on annettava suostumuksensa tallentaa syötetyt tiedot online, ja hänen on hyväksyttävä ehdot. Sähköpostitse lähetettävä rekisteröintivahvistus ja alkuperäinen kuitti, josta ilmenee hankintapäivä, toimivat todistena takuun jatkamisesta. Lailliset oikeudet eivät muutu.
- Takuu kattaa takuuaikana kaikki tuotteen viat, jotka johtuvat valmistus- tai materiaaliavista hankintapäivänä. Takuu rajoittuu korjaukseen ja/ tai vaihtoon eikä sisällä mitään muita velvoitteita, mukaan lukien mm. satunnaiset ja seuraamukset vauriot. Takuu ei ole voimassa, jos tuotetta on vääriin käytetty tai käytetty käyttöoppaan vastaisesti tai se on kytketty virheellisesti. Takuu ei kata seuraavia:
 - tuotteelle koitunnet vahingot, jotka johtuvat virheellisestä ylläpidosta
 - tuote, jota on muunneltu
 - tuote, jossa alkuperäiset tunnistet (tavaramerkki, sarjanumero) ovat turmeltuneet tai niitä on muutettu tai ne on poistettu
 - käyttöoppaan laiminlyönnistä johtuvat vauriot
 - ei-EC-tuotteet
 - tuotteet, jotka on yrittänyt korjata ei-pätevä asentaja tai jonka korjaukselle ei ole saatu Technronic Industriesiltä hyväksyntää etukäteen
 - tuotteet, jotka on kytketty vääranlaiseen virtalähteeseen (virta, jännite, taajuus)
 - tuote, jossa on käytetty virheellistä polttoaineseosta (polttoaine, öljy, öhlyn osuus)
 - vauriot, jotka johtuvat ulkoisista syistä (kemikaalit, fyysiset tekijät, iskut) tai vieraista aineista
 - normaalit varaosien kuluminen
 - virheellinen käyttö, laitteen ylikuormitus
 - muiden kuin hyväksytyjen lisävarusteiden ja osien käyttö
 - kaasutin 6 kuukauden jälkeen, kaasuttimen säätö 6 kuukauden jälkeen
 - komponentit (osat ja lisävarusteet), joihin kohdistuu luonnollista kulumista, mukaan lukien mm. napautusnupit, vetohihnat, kytin, pensastrimmeriden ja ruohonleikkurien terät, valjaat, kaapelikaasutin, hiilijarhat, virtajohto, piikit, huopavälilevyt, sokat, puhallimet, puhallin- ja imuputket, polynimurin pussit ja hihnat, terälevyt, teräketjut, letkut, liittimet, suuttimet, pyörät, suihkuputket, sisäkelat, ulkoiset kelat, leikkusuimat, syytystulpat, ilmansuodattimet, polttoainesuodattimet, silppuriterät jne.
- Huollon saaminen edellyttää, että tämä tuote lähetetään tai viedään RYOBI:n valtuuttamaan huoltoon, jotka luetaan maittain seuraavassa huoltojen osoiteluettelossa. Joissain maissa paikallinen RYOBI-jälleenmyyjä hoitaa tuotteen lähettämisen RYOBI-huoltoon. Kun tuote lähetetään RYOBI-huoltoon, se on pakattava turvallisesti ilman mitään vaarallista sisältöä, kuten bensiniä, siihen on merkittävä lähettäjän osoite ja sen mukana on lähetettävä vian kuvaus.
- Tämän takuun puitteissa tapahtuva korjaaminen/vaihto on ilmaista. Se ei merkitse takuujakson jatkamista tai uuden kauden alkua. Vaihdetuista osista ja laitteista tulee meidän omaisuuttamme. Joissain maissa lähettäjän on maksettava toimituskulut tai postimaksu.
- Tämä takuu on voimassa Euroopan Yhteisössä, Sveitsissä, Islannissa, Norjassa, Liechtensteinissa, Turkissa ja Venäjällä. Jos olet näiden alueiden ulkopuolella, ota yhteys valtuutettuun RYOBI-jälleenmyyjään, joka voi kertoa, onko joku muu takuu voimassa.

VALTUUTETTU HUOLTO

Valtuutettua huoltoa varten etsi lähimmän valtuutetun huollon sivulta <http://fi.ryobitools.eu/header/service-and-support/service-agents>.

NO GARANTI

I tillegg til enhver lovbestemt rettighet som følge av dette kjøpet er dette produktet dekket av en garanti som beskrevet nedenfor.

- Garantitiden er 24 måneder for forbrukere, og starter på produktets kjøpsdato. Denne datoen må dokumenteres av faktura eller annet kjøpsbevis. Produktet er konstruert og beregnet på forbrukere og kun privat bruk. Det gis ingen garanti ved profesjonell eller kommersiell bruk.
- Det er, i noen tilfeller, (dvs. markedsføring, serie av verktøy), mulig å utvide garantien ut over den perioden som er nevnt ovenfor ved bruk av registrering på nettstedet www.ryobitools.eu. Verktøys garantiberegtelse vises klart i butikkene og/eller på emballasjen. Sluttbruker må registrere sitt nylig innkjøpte verktøy på nettet innen 8 dager etter kjøpsdatoen. Sluttbruker kan registrere seg for utvidet garanti i det landet hvor vedkommende bor hvis dette landet er ført opp på nettregistreringsskjemaet hvor dette alternativet er gyldig. Sluttbruker må også gi sin tillatelse til lagring av de data som er påkrevet å registrere på nettet, og må akseptere vilkår og betingelser. Registreringsbekrefnelsen, som sendes som epost, og den originale kvitteringen som viser kjøpsdatoen, vil gjelde som bevis på den utvidede garantien. Dine lovbestemte rettigheter vil fortsatt gjelde.
- Garantien gjelder alle defekter på produktet i garantitiden som følge av feil på arbeid eller materialer på kjøpsdatoen. Garantien er begrenset til reparasjon og/eller utskifting av produktet, og inkluderer ingen annen forpliktelse, inklusive men ikke begrenset til tilfældige eller direkte eller indirekte følgeskader. Garantien gjelder ikke dersom produktet er misbrukt, brukt i strid med brukermanualens instruksjoner eller vært feilaktig tilkoblet. Denne garantien gjelder ikke:
 - enhver skade på produktet som følge av utilstrekkelig vedlikehold
 - et produkt som er endret eller modifisert
 - ethvert produkt hvor original identifikasjonsmerke (varemerke, serienummer) er tildekket, endret eller fjernet
 - enhver skade som følge av at instruksjoner i brukermanualen ikke er fulgt
 - ethvert ikke-CE-produkt
 - ethvert produkt som er forsøkt reparert av en ukvalifisert person, eller uten forutgående tillatelse av Techtron Industries
 - ethvert produkt som er tilkoblet uriktig strømkilde (ampere, spenning, frekvens)
 - ethvert produkt som er brukt med feil drivstoffblanding (drivstoff, olje, prosentvis andel olje)
 - enhver skade forårsaket av eksterne påvirkninger (kjemiske, fysiske eller slag) eller fremmede substanser
 - normal slitasje på reservedeler
 - feilaktig bruk, overbelastning av verktøyet
 - bruk av ikke godkjent tilbehør eller reservedeler
 - forgasser etter 6 måneder, forgasserjusteringer etter 6 måneder
 - komponenter (deler og tilbehør) gjenstand for naturlig slitasje, inklusive men ikke begrenset til dunkeknotter, drivreimer, clutch, kniver på hekklippere eller gressklippere, seler, gasswire, karbonborster, elektriske ledninger, tenner, filtpakninger, skaftpinner, blåseviser, blåse- og sugeslangar, oppsamlingsposer, motorsagsverd, sagkjeder, slanger, tilkoblingsdeler, sprøytedyser, hjul, sprøytestaver, innvendige ruller, utvendige spoler, klippesnorer, tennplugger, luftfiltere, gassfiltere, oppkappingsblader, etc.
- For ettersyn og reparasjoner må produktet leveres til et RYOBI-autorisert servicesenter ført opp for det enkelte land i følgende liste av servicesentersadresser. I noen land vil din lokale RYOBI-forhandler sørge for å sende produktet til RYOBI's serviceorganisasjon. Når et produkt sendes til en RYOBI servicesentasjon må produktet være forsvarlig emballert uten farlig innhold som bensin, merket med senders navn og adresse og medsendt en kort beskrivelse av feilen.
- En reparasjon/utskifting i henhold til denne garantien er gratis. Den representerer ikke en forlengelse av garantiperioden eller en ny start på garantiperioden. Utskiftede deler eller verktøy blir vår eiendom. I noen land vil leveringskostnader eller porto måtte betales av sender.
- Denne garantien er gyldig i EU, Sveits, Island, Norge, Liechtenstein, Tyrkia og Russland. Utenfor disse områdene ber vi om at du kontakter en autorisert RYOBI-forhandler for å finne ut om en annen garanti gjelder.

AUTORISERT SERVICESENTER

For å finne et autorisert servicesenter i nærheten, gå til <http://no.ryobitools.eu/header/service-and-support/service-agents>.

RU ГАРАНТИЯ

В дополнение к законным правам, вытекающим из факта покупки, на данный продукт распространяются следующие гарантийные обязательства.

- Гарантийный период составляет 24 месяца для покупателей и начинается с даты приобретения продукта. Дата приобретения подтверждается документально товарным чеком или другим доказательством покупки. Данный продукт предназначен для использования только в личных целях. Гарантия не предоставляется в случае профессионального или коммерческого использования данного продукта.
- В некоторых случаях (например, при продвижении продукта, приобретении некоторых видов инструментов) возможно продление гарантийного срока при регистрации продукта на веб-сайте www.ryobitools.eu. Применительно к продукту разъясняется в магазинах при продаже и/или на упаковке продукта. Конечному пользователю следует зарегистрировать вновь приобретенный инструмент через Интернет в течение 8 дней с даты покупки. Конечный пользователь может зарегистрировать продукт для получения расширенной гарантии в стране проживания, если данная возможность предоставляется интернет-формой регистрации. Также, конечный пользователь должен дать свое согласие на хранение данных, требуемых при заполнении формы через Интернет, и принять условия соглашения. Уведомление о подтверждении регистрации, отправляемое по электронной почте, и оригинальный товарный чек с датой покупки служат доказательством расширенной гарантии. Законные права потребителя при этом остаются в силе.
- Данная гарантия распространяется на все дефекты продукта, связанные с производственным браком или браком материалов в момент приобретения, в течение гарантийного периода. Данная гарантия ограничивается ремонтом и/или заменой и не включает другие обязательства, в том числе, связанные с побочным или косвенным ущербом. Гарантия недействительна в случае ненадлежащего использования, использования с нарушением инструкций руководства по эксплуатации или неправильного подключения продукта. Гарантия недействительна, если:
 - повреждение продукта вызвано ненадлежащим техническим обслуживанием
 - продукт подвергся изменениям или был модифицирован
 - оригинальная маркировка (товарный знак, заводской номер) неудобочитаема, изменена или удалена
 - повреждение вызвано несоблюдением инструкций данного руководства
 - отсутствует маркировка CE
 - была попытка отремонтировать продукт неквалифицированным лицом или без предварительного согласования с компанией Techtron Industries
 - продукт подключался к ненадлежащему источнику питания (ненадлежащая сила тока, напряжение, частота)
 - продукт использовался с недопустимой топливной смесью (топливо, масло, процент содержания масла)
 - повреждение вызвано внешним воздействием (химические, физические, удары) или посторонними веществами
 - это связано с нормальным износом заменяемых деталей
 - это связано с ненадлежащим использованием, перегрузкой инструмента
 - это связано с использованием нереккомендованных принадлежностей или деталей
 - карбюратор использовался свыше 6 месяцев, регулировка карбюратора после 6 месяцев
 - компоненты (детали и принадлежности) подверженные естественному износу, в том числе, коллчани, приводные ремни, муфта, режущие полотна шпалерных ножиц или газонокосилок, крепежные ремни, тросик дроссельной заслонки, угольные щетки, кабель питания, фрезы, фетровые прокладки, шпильки, крыльчатки, выпускные и всасывающие трубки, мешок для мусора и решетки, пыльные шины, пыльные щели, шланги, соединительные фитинги, распылительные насадки, колеса, распылители, внутренние бобины, внешние бобины, режущие струны, свечи зажигания, воздушные фильтры, газовые фильтры, механизмы для мульчирования и т.п.
- Для проведения технического обслуживания продукт следует представить в официальный центр технического обслуживания компании RYOBI в соответствии со списком по каждой стране. В некоторых странах дилерам компании RYOBI требуется пересылка продукта в соответствующий сервисный центр компании RYOBI. При отправке продукта в центр технического обслуживания RYOBI, продукт следует упаковать надлежащим образом без содержания любых опасных веществ (таких как бензин) с указанием адреса отправителя и кратким описанием неисправности.
- Ремонт/замена продукта по условиям данной гарантии осуществляются бесплатно. В данном случае не предусмотрено продление срока гарантии или начало нового гарантийного периода. Заменяемые детали или инструмент становятся собственностью компании. В некоторых странах оплата доставки и почтовые расходы ложатся на отправителя.
- Данная гарантия действительна в странах ЕС, Швейцарии, Исландии, Норвегии, Лихтенштейне, Турции и России. Для получения информации о применении данной гарантии в других регионах обращайтесь к официальному дилеру компании RYOBI.

УПОЛНОМОЧЕННЫЙ СЕРВИСНЫЙ ЦЕНТР

Чтобы найти ближайший уполномоченный сервисный центр, обратитесь к веб-сайту <http://uk.ryobitools.eu/header/service-and-support/service-agents>.

PL GWARANCJA

Oprócz wszelkich praw ustawowych wynikających z zakupu, ten produkt jest objęty gwarancją jak podano poniżej.

- Okres gwarancji wynosi 24 miesiące dla konsumentów i rozpoczyna się w dniu, w którym produkt został zakupiony. Ta data musi być udokumentowana przez fakturę lub inny dowód zakupu. Produkt został zaprojektowany i jest przeznaczony wyłącznie do użytku konsumenckiego i prywatnego. W związku z tym gwarancja nie jest udzielana w przypadku zastosowań profesjonalnych i komercyjnych.
- Nie ma, w niektórych przypadkach (promocja tj. zakres narzędzi), możliwość przedłużenia okresu gwarancji w okresie opisanym powyżej przy rejestracji na stronie internetowej www.ryobitools.eu. Kwalifikowalność narzędzia jest wyraźnie określona w sklepaczu oraz/lub na opakowaniu. Użytkownik końcowy musi zarejestrować swoje nowe zakupione narzędzia online w ciągu 8 dni od daty zakupu. Użytkownik końcowy może zarejestrować się w celu rozszerzenia gwarancji w swoim kraju zamieszkania, jeśli jest on wymieniony w formularzu rejestracji online, kiedy ta opcja jest ważna. Ponadto użytkownicy końcowi muszą wyrazić zgodę na przechowywanie danych, które są wymagane do zalogowania online oraz muszą zaakceptować regulamin. Otrzymanie potwierdzenia rejestracji, które jest wysyłane na adres e-mail oraz oryginalna faktura z podaną datą zakupu będą służyć jako dowód przedłużonej gwarancji. Twoje prawa ustawowe pozostają nienaruszone.
- Gwarancja obejmuje wszystkie wady produktu w okresie gwarancyjnym, spowodowane usterekami w wykonaniu lub materiale w chwili nabycia. Gwarancja jest ograniczona do naprawy oraz/lub wymiany i nie obejmuje żadnych innych obowiązków w tym m.in. odpowiedzialności za szkody przypadkowe lub wtórne. Gwarancja nie jest ważna, jeśli produkt był użytkowany w niewłaściwy sposób, był wykorzystywany w sposób niezgodny z instrukcją obsługi lub był nieprawidłowo podłączony. Ta gwarancja nie obejmuje:
 - uszkodzenia produktu, które jest wynikiem nieprawidłowej konserwacji
 - produktu, który został przerobiony lub zmodyfikowany
 - produktu, w którym znieskształcono, zmieniono lub usunęto oryginalne oznaczenia (nazwę handlową, numer seryjny)
 - uszkodzeń spowodowanych nieprzebraniem instrukcji obsługi
 - produktu bez certyfikatu CE
 - produktu, który był naprawiany przez niewykwalifikowaną osobę lub bez uprzedniej autoryzacji firmy Techtronic Industries
 - produktu podłączonego do nieprawidłowego źródła zasilania (napięcie, napięcie, czystość)
 - produktu używanego z nieprawidłową mieszanką paliwa (paliwo, olej, zawartość procentowa oleju)
 - uszkodzeń spowodowanych przez czynniki zewnętrzne (chemiczne, fizyczne, uderzenia) lub obce substancje
 - normalnego zużycia części zamiennych
 - niewłaściwego użytkowania, przecięcia narzędzia
 - stosowania niezatwierdzonych akcesoriów lub części
 - gaźnika po 6 miesiącach, regulacji gaźnika po 6 miesiącach
 - elementów (części i akcesoriów) podlegających naturalnemu zużyciu, m.in. gałek odbojnikowych, pasów napędowych, sprężła, ostrej nożyc do żywoptłów lub kosiariek, uprząży, przepustnicy, szczołek węglowych, przewodu zasilającego, zębów, podkładek filcowych, sworzniki zaczepu, wentylatorów dmuchawy, przewodów dmuchawy i podciśnieniowych, worków próżniowych i pasków, prowadnic, łańcuchów pilarki, przewodów, mocowań złączy, dyszy rozpylających, kółek, lancy rozpylających kat., dmuchawy, dmuchawy i rury próżniowe, torebki próżniowe i paski, prowadnice, bębnowe wewnętrznych, szpulki zewnętrznych, żyłki tnącej, świec zapłonowych, filtrów powietrza, filtrów gazu, ostrej do ściółkowania itp.
- W celu serwisowania produktu należy wysłać lub okazać w autoryzowanym centrum serwisowym RYOBI wymienionym dla każdego kraju na poniższej liście adresów stacji serwisowych. W niektórych krajach lokalny dealer firmy RYOBI zobowiązuje się wysłać produkt do centrum serwisowego firmy RYOBI. W przypadku wysyłki produktu do centrum serwisowego RYOBI, produkt należy dobrze zapakować, bez umieszczenia żadnych niebezpiecznych rzeczy, tj. paliwa i oznaczyć adresem nadawcy oraz krótkim opisem usterek.
- Naprawa/wymiana w ramach tej gwarancji jest bezpłatna. Nie stanowi to przedłużenia lub nowego rozpisania okresu gwarancji. Wymieniane części lub narzędzia stają się naszą własnością. W niektórych krajach koszty wysyłki lub pocztowe będą musiały być opłacone przez nadawcę.
- Ta gwarancja obowiązuje na terytorium Wspólnoty Europejskiej, Szwajcarii, Islandii, Norwegii, Liechtenstein, Turcji i Rosji. Poza tymi obszarami należy skontaktować się z autoryzowanym dealerem RYOBI aby sprawdzić, czy dostępna jest jeszcze inna gwarancja.

AUTORYZOWANY PUNKT SERWISOWY

Najbliższy autoryzowany punkt serwisowy można wyszukać w witrynie internetowej <http://uk.ryobitools.eu/header/service-and-support/service-agents>.

CS ZÁRUKA

Navíc k zákonným právam, které vznikají nákupem, je k výrobku poskytována záruka.

- Záruka je období 24 měsíců pro spotřebitele a začíná běžet datem nákupu produktu. Toto datum musí být zadokumentováno fakturou nebo jiným důkazem o koupi. Tento výrobek je určen a vyhrazen jen pro domácí a soukromé používání. Záruka se tedy nepoukazuje pro profesionální ani komerční používání.
- Existuje, v některých případech (tj. propagace, určité nástroje), možnost prodloužení doby záruky nad výše uvedené období pomocí registrace na stránkách www.ryobitools.eu. Vhodnost nástroje je jasně vyobrazena v prodejních a/nebo na obalu. Koncový uživatel musí zaregistrovat své nové pořízené nástroje online během 8 dní od data nákupu. Koncový uživatel se může zaregistrovat k prodloužení doby záruky v zemi jeho trvalého bydliště, pokud je uvedeno v online registračním formuláři, kde je tato možnost platná. Navíc musí koncový uživatel poskytnout souhlas s uchováním údajů, které jsou zapotřebí do online registru a musí přijmout podmínky smlouvy. Přijetí potvrzení o registraci, odeslané e-mailem, a originální faktura udávající datum nákupu slouží jako důkaz prodloužené záruky. Vaše zákonná práva zůstávají nedotčena.
- Záruka pokrývá veškeré vady produktu během záruky způsobené vadami při zpracování nebo v materiálu v době nákupu. Záruka se omezuje na opravu a/nebo výměnu a nezahrnuje žádné jiné závazky včetně, ale ne omezeně na související nebo následné škody. Záruka neplatí, pokud, pokud se produkt nesprávně používal, používal v rozporu s návodem nebo byl nesprávně zapojen. Záruka nelze uplatnit v následujících případech:
 - jakákoliv škoda na výrobku v důsledku nesprávné údržby
 - jakýkoliv výrobek byl pozměněn či modifikován
 - jakýkoliv výrobek, kde byly původní identifikační značky (obchodní značka, výrobní číslo) odstraněny, pozměněny či modifikovány
 - jakákoliv škoda způsobená nedodržováním návodu k obsluze
 - výrobek nemá značku CE
 - každý výrobek, kde došlo k pokusu jej opravit nekvalifikovanou osobou nebo bez předchozího souhlasu společnosti Techtronic Industries
 - každý výrobek byl připojen nesprávnému napájení (proud, napětí, frekvence)
 - každý výrobek, který se používal s nesprávnou palivovou směsí (palivo, olej, podíl oleje)
 - veškeré škody byly způsobeny externími vlivy (chemické, fyzické, nárazy) či cizími látkami
 - běžné opotřebení a spotřební náhradní díly
 - nevhodné používání, přetěžování nástroje
 - použití neschválených doplňků nebo dílů
 - karburátor po 6 měsících, seřízení karburátoru po 6 měsících
 - komponenty (díly a doplňky) podléhající běžnému opotřebení, včetně, ale ne omezeně, nárazových tlačítek, hnacích řemenů, spojky, nožů plotostříhu či sekaček trávy, postroje, lanka škrtící klapky, uhlikových kartáčů, napájecího kabelu, plechů, plstěných podložek, závlaček, ventilátorů fukaru, hadic fukaru a vysavače, vaku vysavače a popruhu, vodičích listů, pilových řetězů, hadic, spojovacích tvarovek, rozprašovačích trysek, kol, střikací trubice, vnitřních, vnějších cívek, sekacích strun, zapalovačích svíček, vzduchových filtrů, spalňových filtrů, umíčovacích nožů atd.
- Pro servis výrobku je třeba zaslat nebo předložit pověřenému servisnímu středisku RYOBI dle seznamu adres servisních středisek. V některých zemích váš místní prodejce RYOBI provádí odeslání výrobku servisní organizaci RYOBI. Při zasílání výrobku servisnímu středisku RYOBI by se měl výrobek bezpečně zabalit bez nebezpečného obsahu jako benzin, označit adresu odesílatele a přiložit list krátkým popisem vady.
- Oprava/výměna během záruky je bezplatná. Neznamená prodloužení ani začátek nového záručního období. Vyměněné díly či nástroje se stávají naším vlastnictvím. V některých zemích doručení či poštovné platí odesílatelem.
- Záruka je platná v Evropské unii, Švýcarsku, Islandu, Norsku, Lichtenštejnsku, Turecku a Rusku. U ostatních oblastí prosím kontaktujte pověřeného prodejce RYOBI pro upřesnění, zda platí jiná záruka.

POVĚŘENÉ SERVISNÍ STŘEDISKO

Pro nalezení nejbližšího pověřeného servisního střediska navštivte <http://uk.ryobitools.eu/header/service-and-support/service-agents>.

HU GARANCIA

A vásárlással összefüggő esetleges törvény adta jogok mellett a termékre az alábbiakban részletezett garancia vonatkozik.

1. A garancia időtartama a fogyasztók számára 24 hónap, ami a termék megvásárlásának napjától számítódik. Ezt a dátumot számlával vagy a vásárlást igazoló más dokumentummal kell igazolni. A terméket kizárólag a vevő által, személyes célokra való használatra tervezték és készítették. Ezért a garancia nem vonatkozik a profik általi vagy üzleti célokra való használatra.
2. Egyes esetekben (pl. promóció, bizonyos termékcsaládok) lehetőség van a garancia időtartamának a fent leírt garanciaperióduson túli meghosszabbítására a www.ryobitools.eu webhelyen történő regisztrációval. Az, hogy egy adott gép jogosult-e erre, egyértelműen fel van tüntetve a boltokban és/vagy a csomagoláson. A végfelhasználónak a vásárlás napjától számított 8 napon belül regisztrálnia kell az újonnan beszerzett gépet. A végfelhasználó a kiterjesztett garanciáért a lakóhelye szerinti országban regisztrálhat, ha az szerepel az online regisztrációs űrlapon. Emellett a végfelhasználónak hozzá kell járulnia az online belépéshez szükséges adatai tárolásához és el kell fogadnia a szerződési feltételeket. A regisztráció e-mailben küldött visszaigazolása, valamint a vásárlást igazoló eredeti számla szolgálkan a kiterjesztett garancia érvényesítésére. A törvény adta jogai nem sérülnek.
3. A garancia a garancia időtartama alatt a termék összes olyan hibájára kiterjed, amelyek a vásárlás napján is fennálló gyártási vagy anyaghiba miatt következnek be. A garancia javításra és/vagy cserére korlátozódik, és nem tartalmaz további kötelezettséget, beleértve, de nem kizárólag a véletlenszerű vagy következetes károkra vonatkozó kötelezettségeket sem. A garancia nem érvényes a termék helytelen használatára, a használati utasításban leírtakkal ellentétes használatára vagy hibás csatlakoztatása esetén. A garancia nem vonatkozik a következőkre:
 - a termék helytelen karbantartásból eredő esetleges károsodásokra
 - átalakított vagy módosított termékekre
 - olyan termékre, melyen az eredeti azonosító jelöléseket (védjegy, sorozatszám) megrongálták, átalakították vagy eltávolították
 - a használati utasítás be nem tartásával összefüggő károkra
 - a CE minősítéssel nem rendelkező termékre
 - a nem képzett szakember által vagy a Technronic Industries előzetes jóváhagyása nélküli javított termékre
 - a nem megfelelő tápforrásokhoz (áramerősség, feszültség, frekvencia) csatlakoztatott termékre
 - a nem megfelelő üzemanyag-keverékkel (üzemanyag, olaj, olajárány) használt termékre
 - külső hatások (vegyi, fizikai, ütés) vagy idegen anyagok által okozott károsodásokra
 - a cserealkatrészek normál kopására és elhasználódására
 - helytelen használatra, a szerszám túlterhelésére
 - nem jóváhagyott tartozékok vagy alkatrészek használatára
 - a karburátorra 6 hónap elteltével, a karburátor beállításaira 6 hónap elteltével
 - Természetes elhasználódásnak és kopásnak kitett összetevőkre (alkatrészek és tartozékok), beleértve de nem kizárólag az ütközőgombokra, hajtószíjakra, tengelykapcsolóra, sóvényvágó vagy fűnyíró kecséire, vezetékkecsékre, gázkábelekre, szénkefékre, tápkábelekre, kapákra, nemez alátétkarikákra, sasszegekre, fűvágó ventilátoraira, fűvő és vákuumszívókra, fűvőszálókra és szíjakra, lánccvetőkre, fűrészlánccokra, tömlőkre, csatlakozókra, szűrőfejekre, kerekkekre, lánzdákra, belső orsókra, külső orsókra, vágószálakra, gyújtógyertyákra, légszűrőkre, üzemanyagszűrőkre, tömörítő kapákra stb.
4. A szervizeléshez a terméket el kell küldeni vagy be kell mutatni valamelyik hivatalos RYOBI szervizközpontban, melyek elérhetősége az egyes országokban az alábbiakban van megadva. Egyes országokban a RYOBI kereskedő vállalja, hogy elküldi a terméket a RYOBI szervizbe. A terméknek a RYOBI szervizlátnak való küldésekor a termék biztonságosan be kell csomagolni, mindenféle veszélyes anyagot, pl. üzemanyagot el kell távolítani belőle, meg kell adni a feladó címét és a hiba rövid leírását.
5. A garancia keretében végzett javítás/cseréje ingyenes. Ugyanakkor ez nem jelenti a garancia időtartamának kiterjesztését vagy új garanciaperiódus kezdetét. A kicserélt alkatrészek vagy szerszámok a mi tulajdonunkban maradnak. Egyes országokban a szállítási vagy a postaköltségeket a feladó fizeti.
6. Ez a garancia az Európai Közösségekben, Svájcban, Izlandon, Norvégiában, Liechtensteinben, Törökországban és Oroszországban érvényes. Ezen területeken kívül az érvényes garancia-feltételeket illetően lépjen kapcsolatba a hivatalos RYOBI forgalmazóval.

HIVATALOS SZERVIZKÖZPONT

A legközelebbi hivatalos szervizközpont megtalálásához látogasson el a <http://uk.ryobitools.eu/header/service-and-support/service-agents>.

RO GARANȚIE

În plus față de alte drepturi statutare rezultând din achiziție, produsul este acoperit de o garanție ca cea menționată mai jos.

1. Perioada de garanție este de 24 de luni pentru consumatorii și începe de la data la care produsul a fost achiziționat. Această dată trebuie să fie dovedită de o factură sau altă dovadă de cumpărare. Produsul este proiectat și dedicat pentru consumator și doar pentru uz privat. Ca urmare nu există nicio garanție asigurată în caz de folosire profesională sau comercială.
2. Există, în anumite cazuri (de ex. promoții, game de produse) o posibilitate de a prelungi perioada de garanție peste perioada descrisă mai sus folosind înregistrarea pe site-ul www.ryobitools.eu. Eligibilitatea aparatului este afișată clar în magazine și/sau ambalaj. Utilizatorul final se poate înregistra pentru o garanție extinsă în țara sa de reședință dacă e listată pe formularul de înregistrare online acolo unde opțiunea este validă. Mai mult, utilizatorii finali trebuie să-și dea consimțământul cu privire la păstrarea datelor ce sunt cerute a fi introduse online și trebuie să accepte termenii și condițiile. Notificarea de confirmare a înregistrării, ce este trimisă prin email, și factura originală ce arată data achiziționării vor servi ca dovadă a garanției extinse. Drepturile dvs statutare rămând neafectate.
3. Garanția acoperă toate defectele produsului în timpul perioadei de garanție cauzate de defecte din procesul de producție sau ale materialului la data achiziționării. Garanția este limitată la reparație și/sau înlocuire și nu include alte obligații incluzând dar nelimitându-se la pagube incidentale sau secundare. Garanția nu este validă dacă produsul a fost folosit greșit, folosit contrar instrucțiunilor din manual sau a fost conectat incorect. Această garanție nu se aplică la:
 - orice defecțiune a produsului ca rezultat a întreținerii necorespunzătoare
 - orice produs ce a fost schimbat sau modificat
 - orice produs unde marcajul original de identificare (marcă comercială, număr serie) a fost deteriorat, schimbat sau modificat
 - orice defecțiune cauzată de nerespectarea manualului de instrucțiuni
 - orice produs non CE
 - orice produs care a fost încercat să fie reparat de către o persoană necalificată sau fără autorizare în prealabil de către Technronic Industries
 - orice produs conectat necorespunzător la sursa de curent (amperi, voltaj, frecvență)
 - orice produs folosit cu amestec necorespunzător de combustibil (combustibil, ulei, procentaj de ulei)
 - orice defecțiune cauzată de influențe externe (chimice, fizice, șocuri) sau substanțe străine
 - uzura normală a pieselor de schimb
 - folosire necorespunzătoare, suprasolicitare a sculei
 - folosire de accesorii și părți neaprobate
 - carburator după 6 luni, reglări ale carburatorului după 6 luni
 - componente (părți și accesorii) subiect a uzurii naturale, incluzând dar nelimitându-se la butoane rotative, curele de distribuție, ambreiaj, lame ale aparatelor de bordurat și tuns iarba, hamuri, cabluri de accelerație, perii de carbon, cabluri electrice, dinți ale furcii, șaibe de păsli, ventilatoare și tuburi de absorbție, sac vacuum și chingi, bare de ghidare, ferăstraie cu lanț, furture, fitinguri de conectare, vergele de pulverizat, duze de pulverizat, roți, vergele de pulverizat, bobine interioare, bobine exterioare, fire pentru tăiat, buji, filtre de aer, filtre de gaz, lame protectoare, etc
4. Pentru service, produsul trebuie să fie trimis sau prezentat la un punct service RYOBI autorizat listat pentru fiecare țară în următoarea listă cu adrese ale punctelor service. În anumite țări reprezentantul dvs local RYOBI se angajează să trimită produsul la un punct de service RYOBI. Atunci când se trimite un produs la un punct service RYOBI, produsul trebuie să fie împachetat cu grijă fără a conține produse periculoase precum benzină, marcat cu adresa expeditorului și însoțit de o scurtă descriere a defecțiunii.
5. Repararea/inlocuirea în timpul garanției este fără niciun cost. Nu constituie o prelungire sau un nou început a perioadei de garanție. Părțile sau aparatele schimbate devin proprietatea noastră. În anumite țări taxele de expediere trebuie să fie plătite de către expeditor.
6. Garanția este valabilă în Uniunea Europeană, Elveția, Islanda, Norvegia, Liechtenstein, Turcia și Rusia. În afara acestor zone, vă rugăm contactați reprezentantul dvs local autorizat RYOBI pentru a determina dacă se aplică altă garanție.

CENTRU DE SERVICE AUTORIZAT

Pentru a găsi un centru de service autorizat lângă dvs., vizitați <http://uk.ryobitools.eu/header/service-and-support/service-agents>.

LV GARANTĪJA

Papildus visām likumā paredzētajām tiesībām saistībā ar iegādi šim izstrādājumam ir turpinājuma izklāstīta garantija.

1. Garantijas periods patērētājiem ir 24 mēneši, un tas sākas izstrādājuma iegādes dienā. Šim datumam ir jābūt dokumentētām rēķinā vai citā iegādi apliecinošā dokumentā. Šis izstrādājums ir izgatavots un paredzēts vienīgi patērētājam un privātai lietošanai. Profesionālais vai komerciālais lietošanas gadījumā garantija nav spēkā.
2. Atsevišķos gadījumos (piem., akcija, vairāki instrumenti) pastāv iespēja pagarināt garantijas periodu virs seīti minētā perioda, reģistrējot to www.ryobitools.eu vietnē. Instrumenta pielietojums ir skaidri norādīts veikalos un/vai uz iepakojuma. Lietotājiem ir jāreģistrē savj jauniegūtie instrumenti tiešsaistē 8 dienu laikā no iegādes datuma. Lietotājs var reģistrēties pagarinātajai garantijai savā dzīvesvietas valstī, ja tā ir norādīta tiešsaistes reģistrācijas veidlapā, kur pieejama šī iespēja. Turklāt lietotājiem ir jāievada dati tiešsaistē, jādod piekrišana šo dāt uzglabāšanai un jāpiekrīt noteikumiem. Saņemtais reģistrācijas apstiprinājums, kas izsūtīts pa e-pastu, un rēķina oriģināls, kurā redzams iegādes datums, ir pagarinātās garantijas pierādījums. Jūsu likumā paredzētās tiesības netiek ietekmētas.
3. Garantija attiecas uz visiem izstrādājuma bojājumiem, kas radušies garantijas perioda laikā iegādes dienā esošo izgatavošanas vai materiāla defektu dēļ. Garantija ir ierobežota līdz remontam un/vai nomaigai un neietver citus pienākumus, ieskaitot, bet neaprobežojoties ar nejausiem vai netiesiem zaudējumiem. Garantija nav spēkā, ja izstrādājums ir liets nepareizi vai neievērojot rokasgrāmatas norādījumus vai ticis nepareizi savienots. Garantija netiecas uz:
 - izstrādājuma bojājumiem, kas radušies nepareizas apkopes dēļ;
 - izstrādājumiem, kas tikusi pielāgoti vai pārveidoti;
 - izstrādājumiem, kuru oriģinālais identifikācijas marķējums (preču zīme, sērijas numurs) ticis sabojāts, pārveidots vai noņemts;
 - bojājumiem, kurus izraisījis rokasgrāmatas norādījumu neievērošana;
 - izstrādājumiem bez CE marķējuma;
 - izstrādājumiem, kurus ir mēģinājis remontēt nekvalificēts speciālists vai kuri remontēti bez Technonic Industries atļaujas;
 - izstrādājumiem, kas tikusi pievienoti neatbilstošai energopadevei (apmēri, spriegums, frekvence);
 - izstrādājumiem, kuros izmantots nepareizs degvielas maisījums (degviela, eļļa, eļļas daudzums);
 - bojājumiem, kurus izraisījis ārēja iedarbība (ķīmiska, fiziska, triecieni) vai svešas vielas;
 - nomaļu detaļu nolietojumu un nodilumu;
 - instrumenta nepareizu lietošanu, pārslogoji;
 - neapstiprinātu detaļu un piederumu lietošanu;
 - karburatoru pēc 6 mēnešiem, karburatora regulējumiem pēc 6 mēnešiem;
 - komponentiem (detaļām un piederumiem), kas ir pakļauti dabiskam nodilumam un nolietojumam, ietverot, bet neaprobežojoties ar darbināšanas pogām, piedziņas siksnām, dzīvzoga trimeru un zāles plāvēji asmeņiem, plecu turētāju, kabeļa droseli, ogļekļa sukām, elektrības vadu, tapām, filca starplīkām, sakabes tapām, pūteja ventilatoriem, pūteja un vakuuma caurulēm, vakuuma maisiem un lencēm, virzošajiem stieņiem, zāga ķēdēm, šļūtenēm, savienotāja stiprinājumiem, smidzināšanas sprauslām, riteņiem, smidzināšanas nūjām, iekšējiem ruļļiem, ārējām spolēm, griešanas auklām, aizdedzes svečēm, gaisa filtriem, gāzes filtriem, mulčēšanas asmeņiem u. c.;
4. Ja nepieciešams veikt remontu, izstrādājums jānosūta vai jānodod RYOBI pilnvarotam servisa centram, kas norādīts pie attiecīgās valsts servisa centru adresu sarakstā. Atsevišķs valstis vietējais RYOBI dīleris uzņemas nosūtīt izstrādājumu RYOBI servisa organizācijai. Nosūtot izstrādājumu RYOBI servisa centram, izstrādājumiem jābūt droši iepakotam bez bīstama satura, piemēram, degvielas, marķētam ar sūtītāja adresi un kopā ar īsu aprakstu par defektu.
5. Remonts/nomaigā šīs garantijas ietvaros ir bez maksas. Tas nepagarina un neuzsāk jaunu garantijas periodu. Nomainītās detaļas un instrumenti nonāk mūsu īpašumā. Atsevišķs valstis piegādes maksa un pasta izdevumi jāsedz sūtītājam.
6. Šī garantija ir derīga Eiropas Kopienā, Šveicē, Islandē, Norvēģijā, Lihtenšteinā, Turcijā un Krievijā, Ārpus šiem reģioniem, lūdzu, sazinieties ar savu pilnvaroto RYOBI dīleri, lai noskaidrotu, vai ir spēkā cita garantija.

AUTORIZĒTS APKALPOŠANAS CENTRS

Lai atrastu tuvāko autorizēto apkalpošanas centru, apmeklējiet <http://uk.ryobitools.eu/header/service-and-support/service-agents>.

LT GARANTĪJA

Be įstatymais nustatyty teisių, įgyjamų nusipirkus šį produktą, produktui taikoma toliau nurodyta garantija.

1. Pirkėjams galiojantis garantinis periodas yra 24 mėnesiai ir prasideda nuo produkto pirkimo datos. Data turi būti nurodyta sąskaitoje-faktūroje arba kitame pirkimą įrodančiame dokumente. Produktas sukurtas ir skirtas tik naudotojui ir tik asmeniniam naudojimui. Todėl garantija netaikoma produktą naudojančiam profesionaliam ar komerciniam tikslams.
2. Kai kuriais atvejais yra galimybė pratęsti garantinį laikotarpį iki toliau nurodyto laikotarpio, prieš tai užsiregistruvus www.ryobitools.eu svetainėje. Įrankio tinkamumo aiškiai parodytas parduotuvėse ir (arba) ant pakuotės. Galutinis naudotojas turi užregistruoti savo naujai įsigytus įrankius internetu per 8 dienas nuo jų pirkimo datos. Galutinis naudotojas gali užsiregistruoti dėl garantijos pratęsimo savo šalyje, jei ši pateikta registracijos internetu formoje, kurioje galimas šis pasirinkimas. Be to, galutinai naudotojai privalo duoti savo sutikimą laikyti duomenis, kuriuos reikia įvesti internete, ir jie turi sutikti su sąlygomis ir nuostatomis. Registracijos patvirtinimo pranešimas, išsiunčiamas el. paštu, ir originali sąskaityta faktūra, kurioje nurodyta pirkimo data, įrodo pratęstą garantiją. Jūsų įstatymuose nustatyti teisėms nebus pakenda.
3. Garantiniu laikotarpiu garantija taikoma visiems produkto trūkumams, atsiradusiems dėl prastos darbo kokybės arba prastu produkto medžiagų pirkimo dieną. Garantija taikoma tik taisymsi ir (arba) pakeltimui ir joje nenumatyti jokie tik įsipareigojimai, įskaitant, bet neapsinbojant atsitiktine ar susijusia žala. Garantija negalioja produktą netinkamai naudojant, priešingai vadove nurodytoms instrukcijoms, arba netinkamai prijungus. Garantija netaikoma šiais atvejais:
 - produktui padaryti žalai netinkamai atliekant produkto techninę priežiūrą;
 - pakeistam arba modifikuotam produktui;
 - bet kokiems produktams, kurių originalios identifikacijos (prekės ženklas, serijos numeris) žymės buvo sugadintos, pakeistos ar pašalintos;
 - bet kokiai žalai, patirtai nesaikant naudojimo vadovo;
 - bet kokiame CE nepaženklintam produktui;
 - bet kokiame produktui, kurį bandė taisyti nekvalifikuotas specialistas, arba iš anksto negavus „Technonic Industries“ leidimo;
 - bet kokiame produktui, įjungtam į netinkamą maitinimo tinklą (amperai, įtampa, dažnis);
 - bet kokiame produktui, naudojamam su netinkamu degalų mišiniu (degalai, alyva, alyvos procentinis kiekis);
 - bet kokiai žalai, kilusiai dėl išorinio poveikio (cheminis, fizinis poveikis, smūgiai) arba pašaliniių medžiagų;
 - įprastam atsarginių dalių dėvėjimuisi;
 - produktą netinkamai naudojant arba jį perkrovus;
 - naudojant nepatvirtintus priedus arba dalis;
 - karbiuratoriu po 6 mėnesių, karbiuratoriaus reguliavimui po 6 mėnesių;
 - komponentams (daliims ir priedams), kurie dėvisi savaime, įskaitant, bet neapsinbojant iškiliais mygtukais, diržinėmis pavaromis, sankaba, gyvatvorės žirklių arba vejos pjovimo mašinų asmenimis, diržais, kabele droseliu, anglies šepetėliais, maitinimo laidu, virbams, veltinio poveržlėmis, traukimo kaiščiais, pūtimo ventilatoriais, pūstuvu ir siurblio vamzdžiais, siurblio maišeliu ir dirželiais, kreipiamaisiais strypais, pjūkle grandinėmis, žarnelėmis, jungtimis, purkštukais, ratais, purškimo lazdelėmis, vidiniais sukutvais, išorinėmis ritėmis, mulktintuvais, uždegimo žvakėmis, oro filtrais, dujų filtrais, mulčiavimo asmenimis ir t. t.;
4. Norint atlikti techninį aptarnavimą, produktą reikia nusiųsti arba pristatyti į vieną iš RYOBI įgaliotų techninio aptarnavimo punktų, esančių kiekvienoje šalyje toliau pateiktame aptarnavimo punktų adresų sąraše. Kai kuriose šalyse jūsų vietinis RYOBI pardavėjas gali nusiųsti produktą į RYOBI techninio aptarnavimo punktą. Siunčiant produktą į RYOBI techninio aptarnavimo punktą, produktą reikia saugiai supakuoti, prieš tai iš jo pašalinus pavojingas medžiagas, pavyzdžiui, benzina, nurodyti siuntėjo adresą ir pridėti trumpą gedimo aprašymą.
5. Pagal šią garantiją taisymo ar keitimo darbai atliekami nemokamai. Garantijoje nenumatytas garantijos pratęsimas ar naujo garantinio laikotarpio pradėjimas. Pakeistos dalys arba įrankiai tampa mūsų nuosavybe. Kai kuriose šalyse pristatymo ar siuntimo paštu išlaidas turi padengti siuntėjas.
6. Ši garantija taikoma Europos bendrijoje, Šveicarijoje, Islandijoje, Norvegijoje, Lihtenšteinėje, Turkiijoje ir Rusijoje. Kitose šalyse kreipkitės į savo įgaliotą RYOBI pardavėją, norėdami sužinoti, ar taikoma kita garantija.

ĮGALIOTAS TECHINIS PRIEŽIŪROS CENTRAS

Jei norite surasti įgaliotą techninės priežiūros centrą netoli Jūsų, apsilankykite interneto svetainėje <http://uk.ryobitools.eu/header/service-and-support/service-agents>.

ET GARANTIID

Lisaks ostu puhul kaasnevate seadusjärgsete õiguste kehtib tootele allpool esitatud tingimustega garantiid.

- Ostja poolt ostetud tootele on kehtestatud garantiiperiood 24 kuud ja see hakkab kehtima toote ostmise kuupäeval. See kuupäev on märgitud arvele või muule ostu lõendavale dokumendile. Toode on ette nähtud ostjale ainult isiklikuks kasutamiseks. Kui toodet kasutatakse ametialast või ärilistel eesmärkidel, siis garantiid ei kehti.
- Mõnel juhul (nt reklaam, seadmest seeria) on võimalik pikendada garantiiperioodi pikemaks ajaks kui ülal mainitud, kui kasutatakse registreerimist veebisaidil www.ryobitools.eu kaudu. Registreerimise tingimused on välja pandud kauplustesse ja/või on pakendil. Lõppkasutaja peab oma uued tüüristad veebis registreerima 8 päeva jooksul alates ostukuupäevast. Lõppkasutaja võib registreerida end pikendatud garantiis oma asukohamaal, kui see on esitatud veebis registreerimise loendil, seal kus see vaik on olemas. Peale selle, lõppkasutajad peavad andma nõusoleku enda andmete salvestamiseks, mida vajatakse veebi sisenumismiseks ja nõustuma esitatud tingimustega. Pikendatud garantiid kehtivust lõendab e-postiga saadetud registreerimise kinnitusteada, ja algupärane arve, millel on ostukuupäev. Teie seadusjärgsed õigused jäävad mõjutamata.
- Garantiid kehtib kõikidele ostukuupäevast kehtima hakkaval garantiiperioodil ilmnenu rike suhtes, mis on tingitud töötlemis- või materjalivigadest. Garantiid on piiratud remondi ja/või asendamise ja ei sisalda muid kohustusi, kuid mitte ainult, kaasneva või tuleneva kahju eest. Garantiid ei kehti, kui toode on väärkasutatud, kasutusjuhendis nimetatud otstarbele mittevastavalt kasutatud või toode on ebaõigesti ühendatud. See garantiid ei rakendu järgmistel juhtudel:
 - tootel on mingi vigastus, mis on põhjustatud ebaõigest kasutamisest,
 - toode on mingil viisil ümber ehitatud või muudetud,
 - toote algupärane tuvastusmarkering (kaubamärk, seerianumber) on kahjustatud, ümber tehtud või eemaldatud,
 - tootel on mingi vigastus, mis on tingitud kasutusjuhendi mittejälgimisest,
 - toode ei ole CE-märgisega,
 - toode on püüdnud parandada ebaõiged spetsialist või seda on tehtud ilma Techtronic Industries volitusteta,
 - toode on ühendatud selleks mitteetantud elektritoitevõrguga (väär voolu tugevus, pinge või sagedus),
 - tootes on kasutatud mitteetantud kütusesegu (kütus, õli, väär õli vahetord),
 - tootel on vigastus välistõmõjudest (keemilised või füüsilised mõjud või löögid),
 - toote varuosadel ilmneb tavapärane kulumine,
 - toode on ebaõigesti kasutatud või üle koormatud,
 - tootel on kasutatud mitteetantud tarvikuid või osi,
 - toote karburaator pärast 6 kuu möödumist, toote karburaatori sätted pärast 6 kuu möödumist,
 - toote koostesadel (osad ja tarvikud) ilmneb tavapärane kulumine järgmistel detailidel (kuid mitte ainult): etteandenu, ajamirihmad, sidur, hekiõikuri või muruniiduki terad, rakmed, gaasitross, süsinikharjad, toitejuhe, piid, viitseidid, vedrutihvid, puhumisventilaatorid, puhuri ja imuri torud, imisüsteemi kotid ja ribad, juhtvardad, saeketid, voolikud, õhendusliitmikud, düüsid, rattad, pihustustorud, siseturmid, välispoolid, lõikeõhvid, süüteküünlad, õhufiltrid, gaasifiltrid, multšimisterad jne.
- Hooldamiseks tuleb toode saata või tuua mõnda RYOBI volitatud hoolduspunkti, mis on esitatud loendis iga riigi jaoks ja milles on hoolduspunkti aadressid. Mõnes riigis kohustub RYOBI edasimüüja saatma toote RYOBI hooldusasutusse. Kui toode saadetakse RYOBI hooldusasutusse, tuleb toode turvaliselt ära pakkida ilma, et sellesse jääks õhtlikku sisu, näiteks bensiin ja pakendile tuleb märkida saatja aadress ja riike lühikirjeldus.
- Selle garantiid alusel tehtud remont/asendus on tasuta. Sellega ei kaasne garantiiperioodi pikemine või uue garantiiperioodi algus. Asendatud osad ja tüüristad jäävad meie omandusse. Mõnes riigis tuleb saate- või postikulud tasuda saatja poolt.
- See garantiid kehtib Euroopa Liidus, Šveitsis, Islandil, Norras, Liechtensteinis, Türgis ja Venemaal. Väljaspool neid riike võtke ühendust Ryobi volitatud edasimüüjaga, et teada saada teistsuguste garantiid kehtivus.

VOLITATUD HOOLDUSKESKUS

Oma volitatud hoolduskeskuse leiate veebisaidil <http://uk.ryobitools.eu/header/service-and-support/service-agents>.

HR JAMSTVO

U dodatku svih zakonskih prava koja proizlaze kao rezultat kupnje, ova proizvod pokriven je jamstvom kao što je utvrđeno u nastavku.

- Jamstveno razdoblje je 24 mjeseca za korisnike, a započinje na datum kupnje proizvoda. Ovaj datum treba biti dokumentiran računom ili nekim drugim dokazom o kupnji. Proizvod je dizajniran i namijenjen samo za korisnike i osobno korištenje. Stoga nema omogućenog jamstava u slučaju profesionalnog ili komercijalnog korištenja.
- U nekim slučajevima (primjerice promocije, paleta alata) postoji mogućnost produženog jamstvenog razdoblja preko gore navedenog razdoblja korištenjem registracije na web mjestu www.ryobitools.eu. Sukladnost alata jesno je prikazana u trgovini ili na pakiranju. Krajnji korisnik treba registrirati svoje novo pribavljene alate na mreži unutar 8 dana od datuma kupnje. Krajnji korisnik može se registrirati za produženo trajanje jamstava u svojoj zemlji stanovanja ako je navedena na mrežnom obrascu za registraciju gdje je ova opcija valjana. Nadalje, krajnji korisnici moraju dati svoje odobrenje za spremanje podataka koji su potrebni za unos na mreži i moraju prihvatiti uvjete i odredbe. Primatku potvrde o registraciji, koja se šalje e-poštom i originalni račun koji prikazuje datum kupnje služe kao dokaz produženog jamstava. Vaša zakonska prava ostaju nepromijenjena.
- Jamstvo pokriva sve kvarove proizvoda tijekom jamstvenog razdoblja zbog pogreški u izradi ili materijalu na datum kupnje. Jamstvo je ograničeno na popravak ili zamjenu i ne uključuje nikakve druge obveze uključujući ne ne ograničavajući se na slučajne ili posljedice štete. Jamstvo nije valjano ako je proizvod pogrešno korišten, korišten suprotno od korisničkog priručnika ili je nepravilno priključen. Ovo jamstvo se ne primjenjuje na:
 - svako oštećenje proizvoda koje je rezultat nepravilnog održavanja
 - svaki proizvod koji je izmijenjen ili modificiran
 - svaki proizvod gdje su originalne identifikacijske oznake (zaštitni znak, serijski broj) izbrisane, zamijenjene ili uklonjene
 - svako oštećenje uzrokovano neprikladnim korištenjem priručnika
 - svaki proizvod koji nije CE
 - svaki proizvod koji je pokušao popraviti neovlašten profesionalac ili bez prethodnog odobrenja od strane Techtronic Industries
 - svaki proizvod priključen na nepravilno napajanje energijom (amperi, napon, frekvencija)
 - Svaki proizvod korišten s neodgovarajućom mješavinom (gorivo, ulje, postotak ulja)
 - svako oštećenje uzrokovano vanjskim utjecajima (kemijsko, fiziko, udar) ili stranim stvarima
 - normalno trošenje i habanje rezervnih dijelova
 - nepravilno korištenje, preopterećenje alata
 - korištenje neodobrenog dodatnog pribora ili dijelova
 - rasplinjača nakon 6 mjeseci, podešavanje rasplinjača nakon 6 mjeseci
 - komponente (dijelovi i dodatni pribor) koji su predmet prirodnog trošenja i habanja, uključujući ne ne ograničavajući se na gumbce za otpuštanje, pogonske remene, spojku, oštrice trimera za grmlje ili kosilicu, kope, sajle gasa, ugljene četke, kabele za napajanje, nožve, podloške, ztkice za zgubnu vezu, ventilatore puhalice, cijevi za ispuhivanje i usisavanje, vakuumske vrećice i trake, vodilice, lance pile, crijeva, priključene elemente, mlaznice za raspršivanje, kotače, kopljia za raspršivanje, unutarne kolute, vanjske kaleme, flaksove, svječice, filtre za zrak, filtre za plin, oštrice za usitnjavanje itd.
- Za servisiranje, proizvod se mora poslati ili predati ovlaštenoj stanici za servis tvrtke RYOBI navedenoj za svaku zemlju u sljedećem popisu adresa stanica za servis. U nekim zemljama vaša lokalni RYOBI zastupnik obavezan je poslati proizvod u servisnu organizaciju tvrtke RYOBI. Prilikom slanja proizvoda u stanicu za servis tvrtke RYOBI, proizvod treba biti sigurno pakiran bez ikakvog opasnog sadržaja poput benzina, s označenom adresom pošiljatelja i pripadajućim kratkim opisom pogreške.
- Popravak/zamjena pod ovim jamstvom se ne naplaćuje. Ne produžuje zakonsko ili ne započinje novo jamstveno razdoblje. Zamijenjeni dijelovi ili alati postaju naše vlasništvo. U nekim zemljama pošiljatelj plaća poštarinu.
- Ovo jamstvo je valjano u Europskoj zajednici, Švicarskoj, Islandu, Norveškoj, Lichtenštajnu, Turskoj i Rusiji. Izvan ovih područja molimo vas da kontaktirate vašeg ovlaštenog zastupnika RYOBI kako biste odredili ako se primjenjuje druga jamstva.

OVLAŠTENI SERVISNI CENTAR

Za pronalaženje ovlaštenog servisnog centra pored vas posjetite <http://uk.ryobitools.eu/header/service-and-support/service-agents>.

SL GARANCIJA

Poleg kakršnih koli zakonskih pravic, ki jih pridobite z nakupom, za ta izdelek velja tudi garancija, kot je opisano spodaj.

- Garancijsko obdobje je 24 mesecev za potrošnike in se začne z datumom nakupa. Ta datum mora biti dokumentiran z računom ali drugim dokazilom o nakupu. Izdelek je namenjen in posevečen le potrošniški in zasebni uporabi. Zato garancija ne velja za profesionalno ali komercialno uporabo.
- V nekaterih primerih (npr. promocija, obseg orodij) obstaja možnost podaljšanja garancijskega obdobja prek zgoraj opisanega obdobja, kar je mogoče storiti z registracijo na spletnem mestu www.ryobitools.eu. Namen orodja je jasno označen v trgovinah in/ali na embalaži. Končni uporabnik mora svoje novo orodje registrirati prek spleta v 8 dneh od datuma nakupa. Končni uporabnik se lahko registrira za podaljšano garancijo v svoji državi, kjer ima stalno prebivališče, če je država vključena na seznam v obrazcu za registracijo, kjer je ta možnost veljavna. Poleg tega mora končni uporabnik odobriti shranjevanje podatkov, ki so potrebni za spletni vstop, in morajo sprejeti pogoje in določila. Potrdilo o registraciji, ki se pošlje po e-pošti, ter originalni račun, na katerem je naveden datum nakupa, veljata kot dokazilo o podaljšani garanciji. Vaše zakonske pravice ostanejo nespremenjene.
- Garancija krje vse okvare izdelka med garancijskim obdobjem zaradi napak v izdelavi ali materialu na datum nakupa. Garancija je omejena na popravilo/zamenjavo in ne vključuje drugih obveznosti, med drugim ne vključuje obveznosti zaradi nenamerne ali posledične škode. Garancija ni veljavna, če je bil izdelek zlorabljen, uporabljen v nasprotju z navodili za uporabo ali nepravilno priključen. Garancija ne velja:
 - za kakršno koli poškodbo izdelka, ki je posledica neprimernega vzdrževanja,
 - če je bil izdelek spremenjen ali modificiran,
 - če so originalne identifikacijske oznake (blagovna znamka, serijska številka) na izdelku poškodovane, spremenjene ali odstranjene,
 - če je do poškodbe prišlo zaradi neupoštevanja navodil za uporabo,
 - za katere koli izdelke, ki niso skladni z oznako CE,
 - če je izdelek poskusil opraviti neusposobljen strokovnjak ali brez predhodne odobritve družbe Techtronic Industries,
 - če je bil izdelek priključen na neustrezno električno omrežje (jakost, napetost, frekvenca),
 - če je bil izdelek uporabljen z neustrezno mešanico goriva (gorivo, olje, odstotek olja),
 - če je do poškodbe prišlo zaradi zunanjih vplivov (kemični, fizični, udarci) ali tujih snovi,
 - za normalno obrabo nadomestnih delov,
 - neustrezne uporabe, preobremenitve orodja,
 - uporabe neodobrenih dodatkov ali delov,
 - za uplinjač po 6 mesecih, prilagoditve uplinjača po 6 mesecih,
 - za sestavne dele (dele in dodatke), ki so podvrženi normalni obrabi, med drugim za vzmetne gume, pogonske jermene, sklopko, rezila obrezovalnikov ali kosilnic, nosilni trak, kabelske dušilke, karbonskih krtačk, napajalnega kabla, zobovje, polstene podložke, varnostne zatiče, ventilatorje, puhalne in sesalne cevi, sesalne vreče in trakove, vodila, verige za žage, gibljive cevi, nastavke priključkov, pršilne šobe, kolesa, pršilne palice, notranje kolute, zunanja vretena, rezalne nitke, vžigalne svečke, zračne filtre, plinske filtre, drobilna rezila itd.,
- Za servisiranje je treba izdelek poslati ali prinesiti v pooblaščen servisni center RYOBI, ki je za vsako državo naveden na naslednjem seznamu z naslovi servisnih centrov. V nekaterih državah pošiljanje izdelka servisnemu centru RYOBI prevzame lokalni trgovec z izdelki RYOBI. Za pošiljanje servisnemu centru RYOBI mora biti izdelek varno zapakiran, brez kakršnih koli nevarnih snovi, npr. gorivo, označen z naslovom pošiljatelja, priložen pa mora biti kratek opis napake.
- Popravilo/nadomestilo v sklopu te garancije je brezplačno. Ne pomeni podaljšanja ali novega začetka garancijskega obdobja. Zamenjani deli ali orodja postanejo naša last. V nekaterih državah mora stroške pošiljanja ali dostave poravnati pošiljatelj.
- Ta garancija je veljavna v Evropski skupnosti, Švicji, na Islandiji, Norveškem, v Liechtensteinu, Turčiji in Rusiji. Izven teh področij stopite v stik s pooblaščenim trgovcem RYOBI, da ugotovite, ali velja katera druga garancija.

POOBLAŠČEN SERVISNI CENTER

Pooblaščen servisni center blizu vas poiščite na <http://uk.ryobitools.eu/header/service-and-support/service-agents>.

SK ZÁRUKA

Okrem zákonných práv vyplývajúcich zo zakúpenia je tento produkt pokrytý zárukou, ako je uvedené nižšie.

- Záručná doba pre spotrebiteľov je 24 mesiacov a začína dňom zakúpenia produktu. Tento dátum musí byť zdokumentovaný faktúrou alebo iným dokladom o kúpe. Tento produkt je navrhnutý a určený len na potrebné a osobné použitie. Takže v prípade profesionálneho alebo komerčného použitia neplatí žiadna záruka.
- V niektorých prípadoch (napr. reklamná akcia, rad produktov) existuje možnosť predĺženia záručnej doby nad dobu uvedenú vyššie pomocou registrácie na webovej stránke www.ryobitools.eu. Spôsobilosť nástroja je zreteľne zobrazená v obchodoch a ha obale. Koncový používateľ si musí zaregistrovať svoje novonadobudnuté nástroje online do 8 dní odo dňa zakúpenia. Koncový používateľ sa môže zaregistrovať za účelom získania predĺženej záruky vo svojej krajine, ak je uvedená v online registračnom formulári, kde je táto možnosť platná. Okrem toho musia koncoví používatelia poskytnúť súhlas k uloženiu údajov, ktoré sa zadávajú online a musia súhlasiť so zmluvnými podmienkami. Doklad s potvrdením o registrácii, ktorý posielame prostredníctvom e-mailu a originál faktúry s uvedeným dátumom zakúpenia slúžia ako dôkaz predĺženej záruky. Vaše zákonné práva ostávajú nedotknuté.
- Táto záruka pokrýva všetky poruchy produktu počas záručnej doby, ktoré vznikli následkom nedostatkov vo vypracovaní alebo materiáli v deň zakúpenia. Táto záruka je omezená na opravu alebo výmenu a nezahŕňa ďalšie povinnosti, napríklad vedľajšie alebo následné škody. Táto záruka je neplatná, ak bol produkt požívaný nesprávne, používaný v rozpore s návodom na použitie alebo nesprávne pripojený. Táto záruka sa nevzťahuje na:
 - akékoľvek poškodenie produktu, ku ktorému došlo následkom nesprávnej údržby
 - akýkoľvek produkt, ktorý bol pozmenený alebo upravený
 - akýkoľvek produkt, na ktorom boli poškodené pozmenené alebo odstránené originálne identifikačné znaky (obchodná známka, sériové číslo)
 - akékoľvek poškodenie spôsobené následkom neododržania návodu na použitie
 - akýkoľvek produkt iný ako CE
 - akýkoľvek produkt, o ktorého opravu sa pokúšal nekvalifikovaný odborník alebo v prípade opravy bez predchádzajúceho oprávnenia od spoločnosti Techtronic Industries
 - akýkoľvek produkt pripojený k nesprávnejmu napájaciemu zdroju (prúd, napätie, frekvencia)
 - akýkoľvek produkt používaný s nevhodnou palivovou zmesou (palivo, olej, percento oleja)
 - akékoľvek poškodenie spôsobené vonkajšími vplyvmi (chemické, fyzické, nárazy) alebo cudzími látkami
 - bežné opotrebenie náhradných dielov
 - nesprávne používanie a preťažovanie nástroja
 - používanie neschváleného príslušenstva alebo dielov
 - karburátor po 6 mesiacoch, úpravy karburátora po 6 mesiacoch
 - komponenty (diely a príslušenstvo), ktoré podliehajú prirodzenému opotrebeniu, napríklad pružinové tlačidlá, hnacie remene, spojka, ostria strihača živého plotu alebo kosačky trávy, postroj, ťahadlo škrťacej klapky, uhľikové kefy, napájaci kábel, končeky, plstené podložky, kolký s háčikom, ventilátory dýchadla, rúrky dýchadla a vysávača, vrecko a remene vysávača, vodiace lišty, pilové reťaze, hadice, konektorové armatúry, rozprašovače trysky, koleska, striekacie tyče, vnútorné navijaky, vonkajšie cievy, rezné drôty, zapalovače sviečky, vzduchové filtre, benzínové filtre, mulčovacie ostria a pod.
- Na servis sa musí produkt odoslať alebo predložiť autorizovanému servisnému centru RYOBI uvedenému pre každú krajinu v nasledujúcom zozname adres servisných staníc. V niektorých krajinách pošle produkt do servisnej organizácie RYOBI váš miestny predajca produktov RYOBI. Pri odoslaní produktu do servisnej stanice RYOBI musí byť produkt bezpečne zabalený bez akéhokoľvek nebezpečného obsahu, napríklad paliva, označený adresou odosielateľa a musí byť k nemu priložený krátky popis poruchy.
- Oprava či výmena v rámci tejto záruky je bezplatná. Nevplyvuje na nej predĺženie či nový začiatok záručnej doby. Vymenené diely alebo nástroje sa stávajú našim majetkom. V niektorých krajinách doručovací poplatok alebo poštovné platí odosielateľ.
- Táto záruka je platná v Európskej únii, Švajčiarsku, na Islande, v Nórsku, Lichtenštajnsku, Turecku a Rusku. Mimo týchto oblastí kontaktujte autorizovaného predajcu spoločnosti Ryobi, u ktorého zisťíte, či platí nejaká iná záruka.

AUTORIZOVANÉ SERVISNÉ CENTRUM

Ak chcete nájsť najbližšie autorizované servisné centrum, navštívte stránku <http://uk.ryobitools.eu/header/service-and-support/service-agents>.

BG ГАРАНЦИЯ

В допълнение към законоустановените права, произтичащи от покупката, този продукт е обхванат от гаранция, както е изложено по-долу.

- Гаранционният срок е 24 месеца за клиенти и започва да тече от деня на закупуване на продукта. Тази дата трябва да се докаже с фактура или друго доказателство за покупка. Продуктът е изработен и предназначен само за потребителска и лична употреба. Следователно не се дава гаранция в случай на използване от професионалисти или с търговска цел.
- В някои случаи (като промоция, гама инструменти) съществува възможност за удължаване на гаранционния срок след изтичането на описания тук чрез регистрация на уеб сайта www.yobitools.eu. Дали инструментът отговаря на условията за такова удължаване, ясно е показано в магазини и/или върху опаковката. Крайният потребител трябва да регистрира своите новопридобити инструменти онлайн в рамките на 8 дни от датата на покупка. Крайният потребител може да се регистрира за удължена гаранция в държавата си на пребиваване, ако е посочена във формуляра за онлайн регистрация като място, където тази опция е валидна. Освен това крайният потребител трябва да даде съгласието си за съхранение на данните, които са задължителни за ползване онлайн, и трябва да приемат общите условия. Полученото потвърждение за регистрация, изпратено по имейл, и оригиналната фактура, показваща датата на покупка, ще служат като доказателство за удължената гаранция. Законоустановените Ви права остават незаосенати.
- Гаранцията покрива всички дефекти на продукта по време на гаранционния срок, които се дължат на проблеми в изработката или материалите към момента на покупката. Гаранцията е ограничена до ремонт и/или замяна и не включва други задължения, включително, но не само, случайни или закономерни щети. Гаранцията е невалидна, ако продуктът е използван неправилно или в противоречие с ръководството с инструкции, както и ако е свързан неправилно. Тази гаранция не важи за:
 - щети по продукта в резултат на неправилна профилактика;
 - продукти, които са били изменени или модифицирани;
 - продукт, при който оригиналните маркировки за идентификация (търговска марка, серийн номер) са изтрити, променени или премахнати;
 - повреда, причинена от неспазване на ръководството с инструкции;
 - продукт без CE маркировка;
 - продукт, за който е направен опит за ремонт от невалифициран специалист или без предварително разрешение от Techtronic Industries;
 - продукт, свързан към неподходящо електрохранване (ампераж, волтаж, честота);
 - продукт, използван с неподходяща горивна смес (гориво, масло, процент масло);
 - щети, причинени от външни влияния (химични, физични, удари) или чужди вещества;
 - нормално износване на резервни части;
 - неподходяща употреба, претоварване на инструмента;
 - използване на неодобрени аксесоари или части;
 - карбуратор след 6 месеца, настройки на карбуратора след 6 месеца;
 - компоненти (част и аксесоари), подложени на естествено износване, включително, но не само, кошчетата за тласкане, задвижващи ремъци, съединител, остриета на ножци за жив плет, косачки, самар, кабелен дросел, карбонови четки, защитна кабели, остриета, фицови шайби, осигурителни цифрове, вентилатори на уреди за обдухване, тръби за обдухване и всмукване, торба за отпадъци и ремъци, водеща шпера, вериги за триони, маркучи, фитинги на конектори, дюзи, копела, пръскалки, вътрешни и външни макари, рещецо влакно, запалителни свещи, въздушни филтри, горивни филтри, остриета за мултиране и т.н.
- За обслужване продуктът трябва да се изпрати или занесе на авторизиран сервис на RYOBI, посочен за всяка държава в следния списък с адреси на сервиси. В някои държави местният търговец на RYOBI може да изпрати продукта до сервисен център на RYOBI. При изпращане на продукт до сервис на RYOBI продуктът трябва да е опакован безопасно без опасност съдържане, като бензин, да е маркиран с адреса на подателя и придружен от кратко описание на повредата.
- Ремонтът или замяната по силата на тази гаранция са безплатни. Те не водят до удължаване или подновяване на гаранционния срок. Менените части или инструменти стават наша собственост. В някои държави таксите за доставка или изпращане трябва да се платят от подателя.
- Тази гаранция е валидна в Европейската общност, Швейцария, Исландия, Норвегия, Лихтенщайн, Турция и Русия. Извън тези области се свържете с упълномощения търговец на RYOBI, за да се установи дали са приложими други гаранции.

УПЪЛНОМОЩЕН СЕРВИЗЕН ЦЕНТЪР

За да намерите упълномощен сервисен център близо до вас, посетете <http://uk.yobitools.eu/header/service-and-support/service-agents>.

UK ГАРАНТИЯ

На додаток до любих законних прав, що випливають з покупки, цей продукт покривається гарантією, як зазначено нижче.

- Гарантійний термін складає 24 місяці дія споживачів і, починається з дати придбання продукту. Ця дата повинна бути задокументована рахунком або іншим документом, що підтверджує покупку. Продукт розроблений і призначений для споживача і тільки для приватного використання. Таким чином, немає ніякої гарантії, у разі професійного або комерційного використання.
- Наведені деякі випадки (наприклад, підтримка, ряд інструментів), можливості розширення гарантійного терміну протягом періоду, описаного вище, з використанням реєстрації на сайті www.yobitools.eu. Придатність інструменту чітко відображається в магазинах та / або на упаковці. Кінцевий користувач повинен зареєструвати його / її ново придбаний інструмент онлайн протягом 8 днів з моменту покупки. Кінцевий користувач може зареєструватися на розширену гарантію у своїй країні проживання, якщо ця країна є в онлайн формі реєстрації, де ця опція діє. Крім того, крім того, користувач повинні дати свою згоду на зберігання даних, які необхідні для онлайн входу і вони повинні прийняти терміни та умови. Квитанція підтвердження реєстрації, яка розсилається по електронній пошті, та оригінал рахунку-фактури із зазначенням дати покупки будуть служити доказом розширеної гарантії. Ваші законні права залишаються в силі.
- Гарантія покриває всі дефекти продукту протягом гарантійного періоду, пов'язані з недолугими виготовлення або матеріалу на дату покупки. Гарантія обмежується ремонтом та / або заміною, і не покриває будь-які інші зобов'язання, включаючи, але не обмежуючись випадковими або непрямими збитками. Гарантія не діє, якщо продукт неправильно використовувався всупереч інструкції, або був неправильно підключений. Ця гарантія не поширюється на:
 - будь-яке пошкодження продукту, яке є результатом неправильного технічного обслуговування
 - будь-який продукт, який був модифікований або модифікований
 - будь-який продукт, де оригінальні ідентифікаційні (торгова марка, серійний номер) маркування були зіпсовані, змінені або видалені
 - будь-який збиток, заподіяний в результаті недотримання керівництва з експлуатації
 - будь-який не CE продукт
 - будь-який виріб, який був відремонтований невалифікованим спеціалістом або без попереднього дозволу Techtronic Industries
 - будь-який продукт підключений до ненаалежного живлення (підсилювачі, напруга, частота)
 - будь-який збиток, заподіяний зовнішнім впливом (хімічними, фізичними, ударами) або стороннім речовинами
 - передбачене зношення запасних частин
 - неправильне використання, перевантаження інструменту
 - використання незатверджених запасних частин або аксесуарів
 - карбуратор через 6 місяців, коригування карбуратора після 6 місяців
 - аксесоари електроінструменту надані з інструментом або куплені окремо. Такі винаятки включають, але не обмежуються гвинтовою викруткою, свердлами, абразивними дисками, наждачним шпером і лезами, бінчим спрямованим пристроєм
 - компоненти (частини та аксесоари), схильні до природного зносу, в тому числі, але не обмежуючись щіткою, патроном, шнуром живлення, додатковою рукояткою, шліфувальними пластинами, мішком для пилу, витяжною трубою
- Для обслуговування виріб має бути відправлено або представлено в уповноважений RYOBI центр технічного обслуговування, перерахований для кожної країни в наступному списку адресів технічних центрів. У деяких країнах місцевий дилер RYOBI зобов'язується відправити виріб в сервісній організації RYOBI. При відправці продукту до станції технічного обслуговування RYOBI, продукт повинен бути надійно упакований, без жодного небезпечного вмісту, такого як бензин, відмічений адресою відправника і супроводжуватися коротким описом несправності.
- Ремонт / заміна по гарантії безкоштовні. Це не розширює або не починає новий гарантійний термін. Замінені частини або інструменти стають нашою власністю. У деяких країнах вартість доставки або відсилки повинні бути оплачені відправником.
- Ця гарантія дієсна в Європейському Співтоваристві, Швейцарії, Ісландії, Норвегії, Лихтенштейні, Туреччині та Росії. За межами цих областей, будь ласка, зв'яжіться з офіційним дилером RYOBI, щоб визначити, якщо поширюється інша гарантія

АВТОРИЗОВАНІ СЕРВІСНІ ЦЕНТРИ

Для отримання оновленого переліка авторизованих сервісних центрів, відвідайте <http://uk.yobitools.eu/header/service-and-support/service-agents>

EN EC DECLARATION OF CONFORMITY

Techtronic Industries GmbH
Max-Eyth-Straße 10, 71364 Winnenden, Germany

Herewith we declare that the product

Cordless snow thrower
Brand: Ryobi
Model number: RST36B51
Serial number range: 44456401000001 - 44456401999999

is in conformity with the following European Directives and harmonised standards

2006/42/EC, 2004/108/EC(untill 19 April 2016), 2014/30/EU(from 20 April 2016), 2000/14/EC, 2005/88/EC, 2011/65/EU, EN 60335-1:2012+A11:2014, ISO 8437:1989+A1:1997, EN 55014-1:2006+A1:2009+A2:2011, EN 55014-2:1997+A1:2001+A2:2008, EN 62233:2008, EN 50581:2012

Measured sound power level: 83.4 dB(A)
Guaranteed sound power level: 86 dB(A)
Conformity assessment method to Annex V Directive 2000/14/EC amended by 2005/88/EC.

Andrew John Eyre (BEng, CEng, MIET)
Vice President, Regulatory & Safety
Winnenden, Sep. 08, 2015

Authorised to compile the technical file:
Alexander Krug, Managing Director
Techtronic Industries GmbH
Max-Eyth-Straße 10, 71364 Winnenden, Germany

CE

DE EC KONFORMITÄTSERKLÄRUNG

Techtronic Industries GmbH
Max-Eyth-Straße 10, 71364 Winnenden, Germany

Hiermit erklären wir, dass die Produkte

Akku Schneefräse
Marke: Ryobi
Modellnummer: RST36B51
Seriennummernbereich: 44456401000001 - 44456401999999

mit den folgenden europäischen Richtlinien und harmonisierten Normen entspricht

2006/42/EC, 2004/108/EC(bis 19 April 2016), 2014/30/EU(ab 20 April 2016), 2000/14/EC, 2005/88/EC, 2011/65/EU, EN 60335-1:2012+A11:2014, ISO 8437:1989+A1:1997, EN 55014-1:2006+A1:2009+A2:2011, EN 55014-2:1997+A1:2001+A2:2008, EN 62233:2008, EN 50581:2012

Gemessener Schallleistungspegel: 83.4 dB(A)
Garantierter Schallleistungspegel: 86 dB(A)
Konformitätsbeurteilungsmethode zu Anhang V Richtlinie 2000/14/EC wie durch 2005/88/EC.

Andrew John Eyre (BEng, CEng, MIET)
Vizepräsident, Vorschriften und Sicherheit
Winnenden, Sep. 08, 2015

Autorisiert die technische Datei zu erstellen:
Alexander Krug, Geschäftsführer
Techtronic Industries GmbH
Max-Eyth-Straße 10, 71364 Winnenden, Germany

CE

FR DÉCLARATION DE CONFORMITÉ EC

Techtronic Industries GmbH
Max-Eyth-Straße 10, 71364 Winnenden, Germany

Déclarons par la présente que le produit

Chasse-neige Sans-Fil
Marque: Ryobi
Numéro de modèle: RST36B51
Étendue des numéros de série: 44456401000001 - 44456401999999

est conforme aux Directives Européennes et Normes Harmonisées suivantes

2006/42/EC, 2004/108/EC(jusqu'au 19 April 2016), 2014/30/EU(à partir du 20 April 2016), 2000/14/EC, 2005/88/EC, 2011/65/EU, EN 60335-1:2012+A11:2014, ISO 8437:1989+A1:1997, EN 55014-1:2006+A1:2009+A2:2011, EN 55014-2:1997+A1:2001+A2:2008, EN 62233:2008, EN 50581:2012

Niveau de puissance sonore mesuré: 83.4 dB(A)
Niveau de puissance sonore garanti: 86 dB(A)
Méthode d'évaluation de conformité de l'annexe V Directive 2000/14/EC modifiée 2005/88/EC.

Andrew John Eyre (BEng, CEng, MIET)
Vice-Président, Réglementation & Sécurité
Winnenden, Sep. 08, 2015

Autorisé à rédiger le dossier technique:
Alexander Krug, Directeur Général
Techtronic Industries GmbH
Max-Eyth-Straße 10, 71364 Winnenden, Germany

CE

ES DECLARACIÓN EC DE CONFORMIDAD

Techtronic Industries GmbH
Max-Eyth-Straße 10, 71364 Winnenden, Germany

Por la presente declaramos que los productos

Quitanieves inalámbrico
Marca: Ryobi
Número de modelo: RST36B51
Intervalo del número de serie: 44456401000001 - 44456401999999

se encuentra en conformidad con las siguientes Directivas Europeas y normas armonizadas

2006/42/EC, 2004/108/EC(hasta 19 Abril 2016), 2014/30/EU(desde 20 Abril 2016), 2000/14/EC, 2005/88/EC, 2011/65/EU, EN 60335-1:2012+A11:2014, ISO 8437:1989+A1:1997, EN 55014-1:2006+A1:2009+A2:2011, EN 55014-2:1997+A1:2001+A2:2008, EN 62233:2008, EN 50581:2012

Nivel de potencia acústica medido: 83.4 dB(A)
Nivel de potencia acústica garantizado: 86 dB(A)
Método de evaluación de conformidad con el anexo V Directiva 2000/14/EC modificada por la 2005/88/EC.

Andrew John Eyre (BEng, CEng, MIET)
Vicepresidente, Director General de Normativa y Seguridad
Winnenden, Sep. 08, 2015

Autorizado para elaborar la ficha técnica:
Alexander Krug, Administrador Ejecutivo
Techtronic Industries GmbH
Max-Eyth-Straße 10, 71364 Winnenden, Germany

CE



IT DICHIARAZIONE DI CONFORMITÀ EC

Techtronic Industries GmbH
Max-Eyth-Straße 10, 71364 Winnenden, Germany

Si dichiara con la presente che il prodotto

Spazzaneve
Marca: Ryobi
Numero modello: RST36B51
Gamma numero seriale: 44456401000001 - 44456401999999

è conforme alle seguenti Direttive Europee e ai seguenti standard armonizzati
2006/42/EC, 2004/108/EC(fino a 19 Aprile 2016), 2014/30/EU(fino a 20 Aprile 2016), 2000/14/EC, 2005/88/EC,
2011/65/EU, EN 60335-1:2012+A11:2014, ISO 8437:1989+A1:1997, EN 55014-1:2006+A1:2009+A2:2011,
EN 55014-2:1997+A1:2001+A2:2008, EN 62233:2008, EN 50581:2012

Livello di potenza acustica misurato: 83.4 dB(A)

Livello di potenza sonora garantita: 86 dB(A)

Metodo di valutazione sulla conformità all'allegato V Direttiva 2000/14/EC modificata con la 2005/88/EC.

Andrew John Eyre (BEng, CEng, MIET)
Vice-Presidente, Dipartimento Regolazioni & Sicurezza
Winnenden, Sep. 08, 2015

Autorizzato per compilare il file tecnico:

Alexander Krug, Direttore Amministrativo
Techtronic Industries GmbH
Max-Eyth-Straße 10, 71364 Winnenden, Germany

PT DECLARAÇÃO EC DE CONFORMIDADE

Techtronic Industries GmbH
Max-Eyth-Straße 10, 71364 Winnenden, Germany

Pelo presente declaramos que os produtos

Limpa-neves sem fios
Marca: Ryobi
Número do modelo: RST36B51
Intervalo do número de série: 44456401000001 - 44456401999999

se encontra em conformidade com as seguintes Directivas Europeias e normas harmonizadas

2006/42/EC, 2004/108/EC(até 19 Abril 2016), 2014/30/EU(desde 20 Abril 2016), 2000/14/EC, 2005/88/EC,
2011/65/EU, EN 60335-1:2012+A11:2014, ISO 8437:1989+A1:1997, EN 55014-1:2006+A1:2009+A2:2011,
EN 55014-2:1997+A1:2001+A2:2008, EN 62233:2008, EN 50581:2012

Nível de potência sonora medido: 83.4 dB(A)

Nível de potência sonora garantido: 86 dB(A)

Método de avaliação de conformidade para o anexo V Directiva 2000/14/EC alterada por 2005/88/EC.

Andrew John Eyre (BEng, CEng, MIET)
Vice-Presidente, Regulamentação & Segurança
Winnenden, Sep. 08, 2015

Autorizado para compilar o ficheiro técnico:

Alexander Krug, Administrador Executivo
Techtronic Industries GmbH
Max-Eyth-Straße 10, 71364 Winnenden, Germany



NL EC CONFORMITEITSVERKLARING

Techtronic Industries GmbH
Max-Eyth-Straße 10, 71364 Winnenden, Germany

Hierbij verklaren wij dat het product

Snoerloze sneeuwvrees
Merk: Ryobi
Modelnummer: RST36B51
Serienummerbereik: 44456401000001 - 44456401999999

is in overeenstemming met de volgende Europese Richtlijnen en geharmoniseerde normen

2006/42/EC, 2004/108/EC(tot 19 April 2016), 2014/30/EU(vanaf 20 April 2016), 2000/14/EC, 2005/88/EC,
2011/65/EU, EN 60335-1:2012+A11:2014, ISO 8437:1989+A1:1997, EN 55014-1:2006+A1:2009+A2:2011,
EN 55014-2:1997+A1:2001+A2:2008, EN 62233:2008, EN 50581:2012

Gemeten geluidsniveau: 83.4 dB(A)

Gegarandeerd geluidsniveau: 86 dB(A)

Evaluatiemethode conformiteit volgens bijlage V Richtlijn 2000/14/EC gewijzigd door 2005/88/EC.

Andrew John Eyre (BEng, CEng, MIET)
Vice-president, Regelgeving en Veiligheid
Winnenden, Sep. 08, 2015

Afgevaardigde voor het samenstellen van de technische fiche:

Alexander Krug, Directeur
Techtronic Industries GmbH
Max-Eyth-Straße 10, 71364 Winnenden, Germany



DA EC OVERENSSTEMMELSEERKLÆRING

Techtronic Industries GmbH
Max-Eyth-Straße 10, 71364 Winnenden, Germany

Vi erklærer hermed, at produktet

Ledningsfri sneslynger
Brand: Ryobi
Modelnummer: RST36B51
Serienummerområde: 44456401000001 - 44456401999999

er i overensstemmelse med følgende EU-direktiver og harmoniserede standarder

2006/42/EC, 2004/108/EC(indtil 19 April 2016), 2014/30/EU(fra 20 April 2016), 2000/14/EC, 2005/88/EC,
2011/65/EU, EN 60335-1:2012+A11:2014, ISO 8437:1989+A1:1997, EN 55014-1:2006+A1:2009+A2:2011,
EN 55014-2:1997+A1:2001+A2:2008, EN 62233:2008, EN 50581:2012

Målt støjniveau: 83.4 dB(A)

Garanteret støjniveau: 86 dB(A)

Overensstemmelsesvurderingsmetode til bilag V Direktiv 2000/14/EC ændret ved 2005/88/EC.

Andrew John Eyre (BEng, CEng, MIET)
Vicepræsident, Regler og Sikkerhed
Winnenden, Sep. 08, 2015

Bemyndiget til at udarbejde det tekniske kartotek:

Alexander Krug, Administrerende Direktør
Techtronic Industries GmbH
Max-Eyth-Straße 10, 71364 Winnenden, Germany



SV EC-KONFORMITETSDEKLARATION

Techtronic Industries GmbH
Max-Eyth-Straße 10, 71364 Winnenden, Germany

Härmed deklarerar vi att produkterna

Sladdlös snöslunga
Märke: Ryobi
Modellnummer: RST36B51
Serienummerintervall: 44456401000001 - 44456401999999

är i enlighet med följande EU-direktiv och harmoniserade standarder
2006/42/EC, 2004/108/EC (till och med 19 April 2016), 2014/30/EU (från och med 20 April 2016), 2000/14/EC, 2005/88/EC,
2011/65/EU, EN 60335-1:2012+A11:2014, ISO 8437:1989+A1:1997, EN 55014-1:2006+A1:2009+A2:2011,
EN 55014-2:1997+A1:2001+A2:2008, EN 62233:2008, EN 50581:2012

Uppmått ljudeffektnivå: 83.4 dB(A)
Garanterad ljudeffektnivå: 86 dB(A)
Konformitetsbedömning gjord enligt metod i V Direktiv 2000/14/EC samt tilläggan i 2005/88/EC.

Andrew John Eyre (BEng, CEng, MIET)
Vice President, Regelverk och Säkerhet
Winnenden, Sep. 08, 2015

Godkänd att sammanställa den tekniska filen:
Alexander Krug, VD
Techtronic Industries GmbH
Max-Eyth-Straße 10, 71364 Winnenden, Germany

NO EC-SAMSVARERKLÆRING

Techtronic Industries GmbH
Max-Eyth-Straße 10, 71364 Winnenden, Germany

Herved erklærer vi at produktet

Batteridrevet snøfreser
Märke: Ryobi
Modellnummer: RST36B51
Serienummerserie: 44456401000001 - 44456401999999

er i samsvar med følgende europeiske direktiver og harmoniserte standarder
2006/42/EC, 2004/108/EC (til 19 April 2016), 2014/30/EU (fra 20 April 2016),
2000/14/EC, 2005/88/EC,
2011/65/EU, EN 60335-1:2012+A11:2014, ISO 8437:1989+A1:1997, EN 55014-1:2006+A1:2009+A2:2011,
EN 55014-2:1997+A1:2001+A2:2008, EN 62233:2008, EN 50581:2012

Målt lydteffektnivå: 83.4 dB(A)
Garantert lydteffektnivå: 86 dB(A)
Metode for vurdering av konformitet til Tillegg V Direktiv 2000/14/EC endret ved 2005/88/EC.

Andrew John Eyre (BEng, CEng, MIET)
Visepresident, Forskrifter og Sikkerhet
Winnenden, Sep. 08, 2015

Autorisert til å sette sammen den tekniske filen:
Alexander Krug, Administrerende Direktør
Techtronic Industries GmbH
Max-Eyth-Straße 10, 71364 Winnenden, Germany

FI EC-SÄÄNNÖSTEN NOUDATTAMINEN

Techtronic Industries GmbH
Max-Eyth-Straße 10, 71364 Winnenden, Germany

Ilmoitamme täten, että tuotteet

Langattoman lumilinnon
Tuotemerkki: Ryobi
Mallinumero: RST36B51
Sarjanumerovalue: 44456401000001 - 44456401999999

noudattaa seuraavia EU-direktiivejä ja harmonoituja standardeja
2006/42/EC, 2004/108/EC (19 April 2016 saakka), 2014/30/EU (20 April 2016 alkaen), 2000/14/EC, 2005/88/EC,
2011/65/EU, EN 60335-1:2012+A11:2014, ISO 8437:1989+A1:1997, EN 55014-1:2006+A1:2009+A2:2011,
EN 55014-2:1997+A1:2001+A2:2008, EN 62233:2008, EN 50581:2012

Mittattu äänenteho: 83.4 dB(A)
Taattu äänenteho: 86 dB(A)
Säännösten noudattaminen tarkastettu direktiivin 2000/14/EC liitteen V mukaisesti muunnettu direktiivillä 2005/88/EC.

Andrew John Eyre (BEng, CEng, MIET)
Varatoimitusjohtaja, Säästöstenmukaisuus ja Turvallisuus
Winnenden, Sep. 08, 2015

Valtuutettu kokoamaan tekninen tiedosto:
Alexander Krug, Toimitusjohtaja
Techtronic Industries GmbH
Max-Eyth-Straße 10, 71364 Winnenden, Germany

RU ЗАЯВЛЕНИЕ О СООТВЕТСТВИИ ТРЕБОВАНИЯМ ЕС

Techtronic Industries GmbH
Max-Eyth-Straße 10, 71364 Winnenden, Germany

Настоящим мы заявляем, что данный продукт

беспроводного снегоочистителя
Марка: Ryobi
Номер модели: RST36B51
Диапазон заводских номеров: 44456401000001 - 44456401999999

соответствует требованиям следующих Директив ЕС и согласованных стандартов
2006/42/EC, 2004/108/EC (до 19 апреля 2016), 2014/30/EU (с 20 апреля 2016), 2000/14/EC, 2005/88/EC,
2011/65/EU, EN 60335-1:2012+A11:2014, ISO 8437:1989+A1:1997, EN 55014-1:2006+A1:2009+A2:2011,
EN 55014-2:1997+A1:2001+A2:2008, EN 62233:2008, EN 50581:2012

Измеренный уровень звуковой мощности: 83.4 dB(A)
Гарантируемый уровень звуковой мощности: 86 dB(A)
Способ оценки соответствия, приложение V к директиве 2000/14/EC с изменениями 2005/88/EC.

Andrew John Eyre (BEng, CEng, MIET)
Вице-Президент По Технике Безопасности И Стандартам
Winnenden, Sep. 08, 2015

Лицо, ответственное за подготовку технической документации:
Alexander Krug, Директор
Techtronic Industries GmbH
Max-Eyth-Straße 10, 71364 Winnenden, Germany



PL DEKLARACJA ZGODNOŚCI EC

Techtronic Industries GmbH
Max-Eyth-Straße 10, 71364 Winnenden, Germany

Niniejszym deklarujemy, że produkty
Bezprzewodowej odsłonieźarki
Marka: Ryobi
Numer modelu: RST36B51
Zakres numerów seryjnych: 44456401000001 - 44456401999999

jest zgodny z następującymi dyrektywami europejskimi i zharmonizowanymi normami
2006/42/EC, 2004/108/EC(do 19 April 2016), 2014/30/EU(od 19 April 2016),
2000/14/EC, 2005/88/EC,
2011/65/EU, EN 60335-1:2012+A11:2014, ISO 8437:1989+A1:1997, EN
55014-1:2006+A1:2009+A2:2011,
EN 55014-2:1997+A1:2001+A2:2008, EN 62233:2008, EN 50581:2012

Zmierzony poziom natężenia hałasu: 83.4 dB(A)
Maksymalny poziom natężenia hałasu: 86 dB(A)
Metoda ocena zgodności zgodnie z aneksem V Dyrektywa 2000/14/EC zmieniona przez dyrektywę 2005/88/EC.

Andrew John Eyre (BEng, CEng, MIET)
Wiceprezes ds. Zgodności Prawnej i Bezpieczeństwa
Winnenden, Sep. 08, 2015

Osoba upoważniona do sporządzenia dokumentu technicznego:
Alexander Krug, Dyrektor Zarządzający
Techtronic Industries GmbH
Max-Eyth-Straße 10, 71364 Winnenden, Germany

HU EC MEGFELELŐSÉGI NYILATKOZAT

Techtronic Industries GmbH
Max-Eyth-Straße 10, 71364 Winnenden, Germany

Ezúton kijelentjük, hogy a termék
Akkumulátoros hómáro
Márka: Ryobi
Típuszám: RST36B51
Sorozatszám tartomány: 44456401000001 - 44456401999999

megfelel az alábbi Európai irányelvek és harmonizált szabványok vonatkozó rendelkezéseinek
2006/42/EC, 2004/108/EC(2016 April 19-ig), 2014/30/EU(2016 April 19-től),
2000/14/EC, 2005/88/EC,
2011/65/EU, EN 60335-1:2012+A11:2014, ISO 8437:1989+A1:1997, EN
55014-1:2006+A1:2009+A2:2011,
EN 55014-2:1997+A1:2001+A2:2008, EN 62233:2008, EN 50581:2012

Mért hangteljesítményszint: 83.4 dB(A)
Garantált hangteljesítményszint: 86 dB(A)
A megfelelőségi értékelési eljárás a 2000/14/EC irányelv V függeléke szerint történt által módosított 2005/88/EC irányelv.

Andrew John Eyre (BEng, CEng, MIET)
Alelnök, Megfelelőségi és Biztonsági Területek
Winnenden, Sep. 08, 2015

A műszaki dokumentáció összeállítására felhatalmazott:
Alexander Krug, Ügyvezető Igazgató
Techtronic Industries GmbH
Max-Eyth-Straße 10, 71364 Winnenden, Germany

CS PROHLÁŠENÍ O SHODĚ EC

Techtronic Industries GmbH
Max-Eyth-Straße 10, 71364 Winnenden, Germany

Tímto prohlašujeme, že výrobky
Akkumulátorovou sněhovou frézu
Značka: Ryobi
Číslo modelu: RST36B51
Rozsah sériových čísel: 44456401000001 - 44456401999999

že tento výrobek je v souladu s evropskými a harmonizovanými standardy
2006/42/EC, 2004/108/EC(do 19 April 2016), 2014/30/EU(od 20 April 2016),
2000/14/EC, 2005/88/EC,
2011/65/EU, EN 60335-1:2012+A11:2014, ISO 8437:1989+A1:1997, EN
55014-1:2006+A1:2009+A2:2011,
EN 55014-2:1997+A1:2001+A2:2008, EN 62233:2008, EN 50581:2012

Změřená hladina akustického výkonu: 83.4 dB(A)
Zaručená hladina akustického výkonu: 86 dB(A)
Metoda s metodou určování pro přílohu V směrnice 2000/14/EC upravená 2005/88/EC.

Andrew John Eyre (BEng, CEng, MIET)
Viceprezident, Normy a Bezpečnost
Winnenden, Sep. 08, 2015

Pověření ke kompilaci technického souboru:
Alexander Krug, Generální Ředitel
Techtronic Industries GmbH
Max-Eyth-Straße 10, 71364 Winnenden, Germany

RO DECLARAȚIE DE CONFORMITATE EC

Techtronic Industries GmbH
Max-Eyth-Straße 10, 71364 Winnenden, Germany

Prin prezenta, declarăm că produsele
Frezei de zăpadă fără cablu electric
Mărcă: Ryobi
Număr serie: RST36B51
Gamă număr serie: 44456401000001 - 44456401999999

este în conformitate cu următoarele Directive Europene și standarde armonizate
2006/42/EC, 2004/108/EC(până la 19 April 2016), 2014/30/EU(de la 20 April
2016), 2000/14/EC, 2005/88/EC,
2011/65/EU, EN 60335-1:2012+A11:2014, ISO 8437:1989+A1:1997, EN
55014-1:2006+A1:2009+A2:2011,
EN 55014-2:1997+A1:2001+A2:2008, EN 62233:2008, EN 50581:2012

Nivelul măsurat al puterii acustice: 83.4 dB(A)
Nivel garantat al puterii acustice: 86 dB(A)
Metoda de evaluare a conformității cu Anexa V Directiva 2000/14/EC modificată prin 2005/88/EC.

Andrew John Eyre (BEng, CEng, MIET)
Vicepreședinte, Reglementare & Siguranță
Winnenden, Sep. 08, 2015

Autorizat să completeze fișa tehnică:
Alexander Krug, Director General
Techtronic Industries GmbH
Max-Eyth-Straße 10, 71364 Winnenden, Germany



LV EC ATBILSTĪBAS DEKLARĀCIJA

Techtronic Industries GmbH
Max-Eyth-Straße 10, 71364 Winnenden, Germany

Ar šo paziņojam, ka produkti

Bezvadu sniega pūtēja
Zīmols: Ryobi
Modeļa numurs: RST36B51
Sērijas numura intervāls: 44456401000001 - 44456401999999

atbilst šādām Eiropas direktīvām un saskaņotajiem standartiem

2006/42/EC, 2004/108/EC (līdz 19 April 2016), 2014/30/EU (no 20 April 2016),
2000/14/EC, 2005/88/EC,
2011/65/EU, EN 60335-1:2012+A11:2014, ISO 8437:1989+A1:1997, EN
55014-1:2006+A1:2009+A2:2011,
EN 55014-2:1997+A1:2001+A2:2008, EN 62233:2008, EN 50581:2012

Izmērītās skaņas jaudas līmenis: 83.4 dB(A)
Garantētā skaņas intensitātes līmenis: 86 dB(A)

Atbilstības novērtēšanas metode pielikumam V Direktīvai 2000/14/EC labota
2005/88/EC.

Andrew John Eyre (BEng, CEng, MIET)
Viceprezidents, Darba Drošības Noteikumi
Winnenden, Sep. 08, 2015

Pilnvarots sastādīt tehnisko failu:

Alexander Krug, Izpilddirektors
Techtronic Industries GmbH
Max-Eyth-Straße 10, 71364 Winnenden, Germany

CE

ET EC VASTAVUSDEKLARATSIOON

Techtronic Industries GmbH
Max-Eyth-Straße 10, 71364 Winnenden, Germany

Kinnitame, et see toode

Akutoitega lumepuhuri
Mark: Ryobi
Mudeli number: RST36B51
Seerianumbri vahemik: 44456401000001 - 44456401999999

vastab järgmistele Euroopa direktiividele ja harmoniseeritud standarditele

2006/42/EC, 2004/108/EC (kuni 19 April 2016), 2014/30/EU (alates 19 April
2016), 2000/14/EC, 2005/88/EC,
2011/65/EU, EN 60335-1:2012+A11:2014, ISO 8437:1989+A1:1997, EN
55014-1:2006+A1:2009+A2:2011,
EN 55014-2:1997+A1:2001+A2:2008, EN 62233:2008, EN 50581:2012

Mõõdetud helivõimsuse tase: 83.4 dB(A)
Garanteeritud helivõimsuse tase: 86 dB(A)

Vastavushindamine vastavalt lisale V direktiivis 2000/14/EC muudetud direktiiviga
2005/88/EC.

Andrew John Eyre (BEng, CEng, MIET)
Asepresident Standardiseerimise Ja Ohutuse Alal
Winnenden, Sep. 08, 2015

Tehnilise faili koostamiseks volitatud isik:

Alexander Krug, Tegevdirektor
Techtronic Industries GmbH
Max-Eyth-Straße 10, 71364 Winnenden, Germany

CE

LT EC ATITIKTIES DEKLARACIJA

Techtronic Industries GmbH
Max-Eyth-Straße 10, 71364 Winnenden, Germany

Mes pareiškiame, kad šie produktai

Belaidžio sniego valytuvo-pūstuvo
Prekės ženklas: Ryobi
Modelio numeris: RST36B51
Serijinio numerio diapazonas: 44456401000001 - 44456401999999

pagamintas laikantis toliau nurodytųjų Europos Direktivų ir darniųjų standartų

2006/42/EC, 2004/108/EC (iki 2016 m. April 19 d.), 2014/30/EU (nuo 2016
m. April 20 d.), 2000/14/EC, 2005/88/EC,
2011/65/EU, EN 60335-1:2012+A11:2014, ISO 8437:1989+A1:1997, EN
55014-1:2006+A1:2009+A2:2011,
EN 55014-2:1997+A1:2001+A2:2008, EN 62233:2008, EN 50581:2012

Išmatuotas akustinis lygis: 83.4 dB(A)
Garantuotas akustinis lygis: 86 dB(A)

Atitikties įvertinimo metodas pagal direktyvos 2000/14/EC, V Priedą su pataisomis
2005/88/EC.

Andrew John Eyre (BEng, CEng, MIET)
Kontrolės Ir Saugos Viceprezidentas
Winnenden, Sep. 08, 2015

[galiosas sudaryti techninį failą:

Alexander Krug, Generalinis Direktorius
Techtronic Industries GmbH
Max-Eyth-Straße 10, 71364 Winnenden, Germany

CE

HR EC IZJAVA O USKLADENOSTI

Techtronic Industries GmbH
Max-Eyth-Straße 10, 71364 Winnenden, Germany

Ovime izjavljujemo da su proizvodi

Bežični razgrtač snijega
Marka: Ryobi
Broj modela: RST36B51
Raspon serijskog broja: 44456401000001 - 44456401999999

usklađeni sa sljedećim Europskim Direktivama i usklađenim normama

2006/42/EC, 2004/108/EC (do 19 April 2016), 2014/30/EU (da 20 April 2016),
2000/14/EC, 2005/88/EC,
2011/65/EU, EN 60335-1:2012+A11:2014, ISO 8437:1989+A1:1997, EN
55014-1:2006+A1:2009+A2:2011,
EN 55014-2:1997+A1:2001+A2:2008, EN 62233:2008, EN 50581:2012

Izmjerena razina zvučne snage: 83.4 dB(A)
Jamčena razina zvučne snage: 86 dB(A)

Metoda procjene usklađenosti prema Dodatku V Direktive 2000/14/EC navedeno
u 2005/88/EC.

Andrew John Eyre (BEng, CEng, MIET)
Potpredsjednik za Pravila i Sigurnost
Winnenden, Sep. 08, 2015

Ovlašten da sastavi tehničku datoteku:

Alexander Krug, Direktor Upravljanja
Techtronic Industries GmbH
Max-Eyth-Straße 10, 71364 Winnenden, Germany

CE



SL IZJAVA EC O SKLADNOSTI

Techtronic Industries GmbH
Max-Eyth-Straße 10, 71364 Winnenden, Germany

Izjavljamo, da je izdelek

Brezlično snežno frezo
Znamka: Ryobi
Številka modela: RST36B51
Razpon serijskih števil: 44456401000001 - 44456401999999

v skladu s sledečimi evropskimi direktivami in harmoniziranimi standardi

2006/42/EC, 2004/108/EC(до 19 April 2016), 2014/30/EU(от 20 April 2016),
2000/14/EC, 2005/88/EC,
2011/65/EU, EN 60335-1:2012+A11:2014, ISO 8437:1989+A1:1997, EN
55014-1:2006+A1:2009+A2:2011,
EN 55014-2:1997+A1:2001+A2:2008, EN 62233:2008, EN 50581:2012

Izmerjena raven zvočne moči: 83.4 dB(A)

Zajamčena raven zvočne moči: 86 dB(A)

Način ugotavljanja skladnosti z aneksom V direktive 2000/14/EC ki je bila spremenjena z 2005/88/EC.

Andrew John Eyre (BEng, CEng, MIET)
Podpredsednik, Zakonodajne In Varnostne Zadeve
Winnenden, Sep. 08, 2015

Pooblaščen oseba za sestavo tehnične dokumentacije:

Alexander Krug, Izvršni Direktor
Techtronic Industries GmbH
Max-Eyth-Straße 10, 71364 Winnenden, Germany

BG ЕС ДЕКЛАРАЦИЯ НА ЗА СЪОТВЕТСТВИЕ

Techtronic Industries GmbH
Max-Eyth-Straße 10, 71364 Winnenden, Germany

С настоящето декларираме, че продуктите

безличния снегорин
Марка: Ryobi
Номер на модела: RST36B51
Обхват на серийни номера: 44456401000001 - 44456401999999

отговаря на следните директиви на ЕС и хармонизирани стандарти

2006/42/EC, 2004/108/EC(до 19 April 2016), 2014/30/EU(от 20 April 2016),
2000/14/EC, 2005/88/EC,
2011/65/EU, EN 60335-1:2012+A11:2014, ISO 8437:1989+A1:1997, EN
55014-1:2006+A1:2009+A2:2011,
EN 55014-2:1997+A1:2001+A2:2008, EN 62233:2008, EN 50581:2012

Измерено ниво на шум: 83.4 dB(A)

Гарантирано ниво на шум: 86 dB(A)

Метод за оценяване на съответствието с приложение V Директива 2000/14/EC, изменена от 2005/88/EC.

Andrew John Eyre (BEng, CEng, MIET)
Вицепрезидент, Правни Услуги И Безопасност
Winnenden, Sep. 08, 2015

Упълномощено лице за съставяне на техничския файл:

Alexander Krug, Изпълнителен Директор
Techtronic Industries GmbH
Max-Eyth-Straße 10, 71364 Winnenden, Germany



SK PREHLÁSENIE O ZHODE EC

Techtronic Industries GmbH
Max-Eyth-Straße 10, 71364 Winnenden, Germany

Tým vyhlasujeme, že výrobok

Akumulátorový odhadzovač snehu
Značka: Ryobi
Číslo modelu: RST36B51
Rozsah sériových čísel: 44456401000001 - 44456401999999

je v súlade s nasledujúcimi Európskymi smernicami a harmonizovanými normami

2006/42/EC, 2004/108/EC(до 19 April 2016), 2014/30/EU(от 20 April 2016),
2000/14/EC, 2005/88/EC,
2011/65/EU, EN 60335-1:2012+A11:2014, ISO 8437:1989+A1:1997, EN
55014-1:2006+A1:2009+A2:2011,
EN 55014-2:1997+A1:2001+A2:2008, EN 62233:2008, EN 50581:2012

Nameraná úroveň hluku: 83.4 dB(A)

Garantovaná úroveň hluku: 86 dB(A)

Spôsob určenia zhody podľa Dodatku V Smernica 2000/14/EC doplnená o 2005/88/EC.

Andrew John Eyre (BEng, CEng, MIET)
Viceprezident, Regulácia a Bezpečnosť
Winnenden, Sep. 08, 2015

Oprávnená osoba na zostavenie technického súboru:

Alexander Krug, Generálny Riaditeľ
Techtronic Industries GmbH
Max-Eyth-Straße 10, 71364 Winnenden, Germany



UK ЕС ДЕКЛАРАЦИЯ ПРО ВІДПОВІДНІСТЬ

Techtronic Industries GmbH
Max-Eyth-Straße 10, 71364 Winnenden, Germany

При цьому ми заявляємо, що продукт

Бездротовий снігоочисник
Марка: Ryobi
Номер моделі: RST36B51
Діапазон серійного номеру: 44456401000001 - 44456401999999

у відповідності з наступними європейськими директивами та

гармонізованими стандартами
2006/42/EC, 2004/108/EC(до 19 квітня 2016), 2014/30/EU(від 20 квітня
2016), 2000/14/EC, 2005/88/EC,
2011/65/EU, EN 60335-1:2012+A11:2014, ISO 8437:1989+A1:1997, EN
55014-1:2006+A1:2009+A2:2011,
EN 55014-2:1997+A1:2001+A2:2008, EN 62233:2008, EN 50581:2012

Вимірний рівень звукової потужності: 83.4 dB(A)

Гарантований рівень звукової потужності: 86 dB(A)

Метод оцінки відповідності Annex V Directive 2000/14/EC з поправками, внесеними 2005/88/EC.

Andrew John Eyre (BEng, CEng, MIET)
Вице-президент, регулювання і безпека
Winnenden, Sep. 08, 2015

Дозвіл на складання технічного файла:

Alexander Krug, керуючий Директор
Techtronic Industries GmbH
Max-Eyth-Straße 10, 71364 Winnenden, Germany





Techtronic Industries GmbH
Max-Eyth-Straße 10,
71364 Winnenden, Germany

961487008-01