

FITTING INSTRUCTIONS

Please read instructions carefully before fitting the seat, and refer to Care instructions for maintenance.

Place the Seat Washers onto the Hinge Plate, and insert the Joining Bolts into the toilet-pan fixing holes.

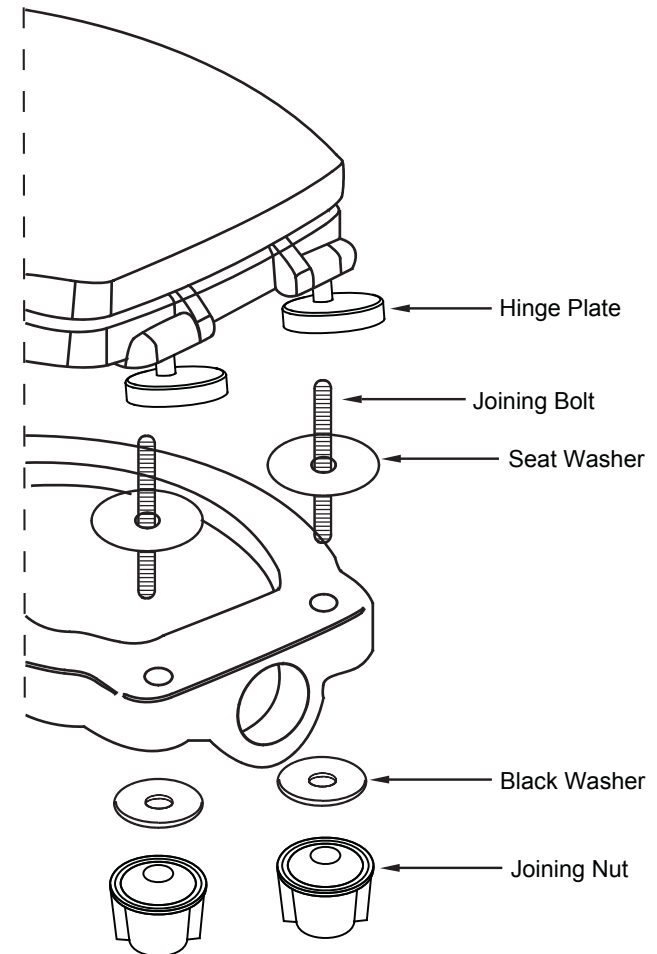
Place the Black Washers through the Joining Bolts, and secure the Joining Nuts to the Joining Bolts, ensuring a secure final fit to the underside of the toilet-pan. Joining Nuts must be tight otherwise the seat will move around, but do not over tighten as this may damage the toilet-pan; after a few days further tighten nuts to allow for the compression of Seat Washers that would have occurred.

Care Instructions

The toilet seat has been coated with a durable lacquer, but still needs to be treated with care.

- Surfaces should be cleaned regularly with a soft damp cloth and mild soap.
- Do not scrub or use abrasive cleaning materials.
- Do not use bleach or cleaners containing bleach.
- Polishing of the seat surfaces should not be needed, but a wax free polish is advised as this does not smear.
- **IMPORTANT!** Do not stand on the lid or toilet seat; this may cause damage to it.

INSTALLATION METHOD





FINISH

Moulded Wooden Seat Bar Hinge & Soft Close Seats.

A sustainable green alternative with better consistency of finish and long term durability.

Moulded with Ash, Eucalyptus, Pine and water-resistant resin which is then veneered at high pressure resulting in an extremely strong moulded wood toilet seat.

The mahogany seat is then flow-coated with a high gloss polyurethane coat while the oak seats are sprayed with a satin polyurethane coating.

All the attributes of a wooden seat, look, feel and individuality, the solid moulded wooden core means the seat cannot crack or split.

CLEANING – for Golden Oak & Mahogany finished seats

DO NOT USE ANY TYPE OF ABRASIVE CLEANER, BLEACH or CLEANERS CONTAINING BLEACH; this will destroy the sealed finish on the seat. Clean with soft damp cloth and mild soap mixture weekly. Polishing the seat should not be needed, but if you do a wax free polish is advised as this does not smear.

As with all toilets seats: If you use bleaches and strong cleaners in the pan
DO NOT LEAVE THE SEAT CLOSED whilst the cleaner acts on the pan
– the fumes from bleaches & cleaners may destroy and/or discolour the finish on the seat.

