

Cooker hob - Modular Induction Plate 7361 275

Cooker hobs

Code: 7361 275



DETAILS

Coloring White

Material Ceramic glass

Supply Single-phase: 230 V; 1P + N; Two-phase 400 V; 2P + N; 50.60 Hz

Edge/Installation Type Flush-mount | Top-mount

Dimensions Ø 270 mm

Full description Induction plate Ø 270 mm - white - for Modular Induction system

Heating element single zone

Total power 1.100 (1.400)* W

Power settings 9 power settings per zone + Powerboost

Safety

Safety equipment

Type

Induction Hob

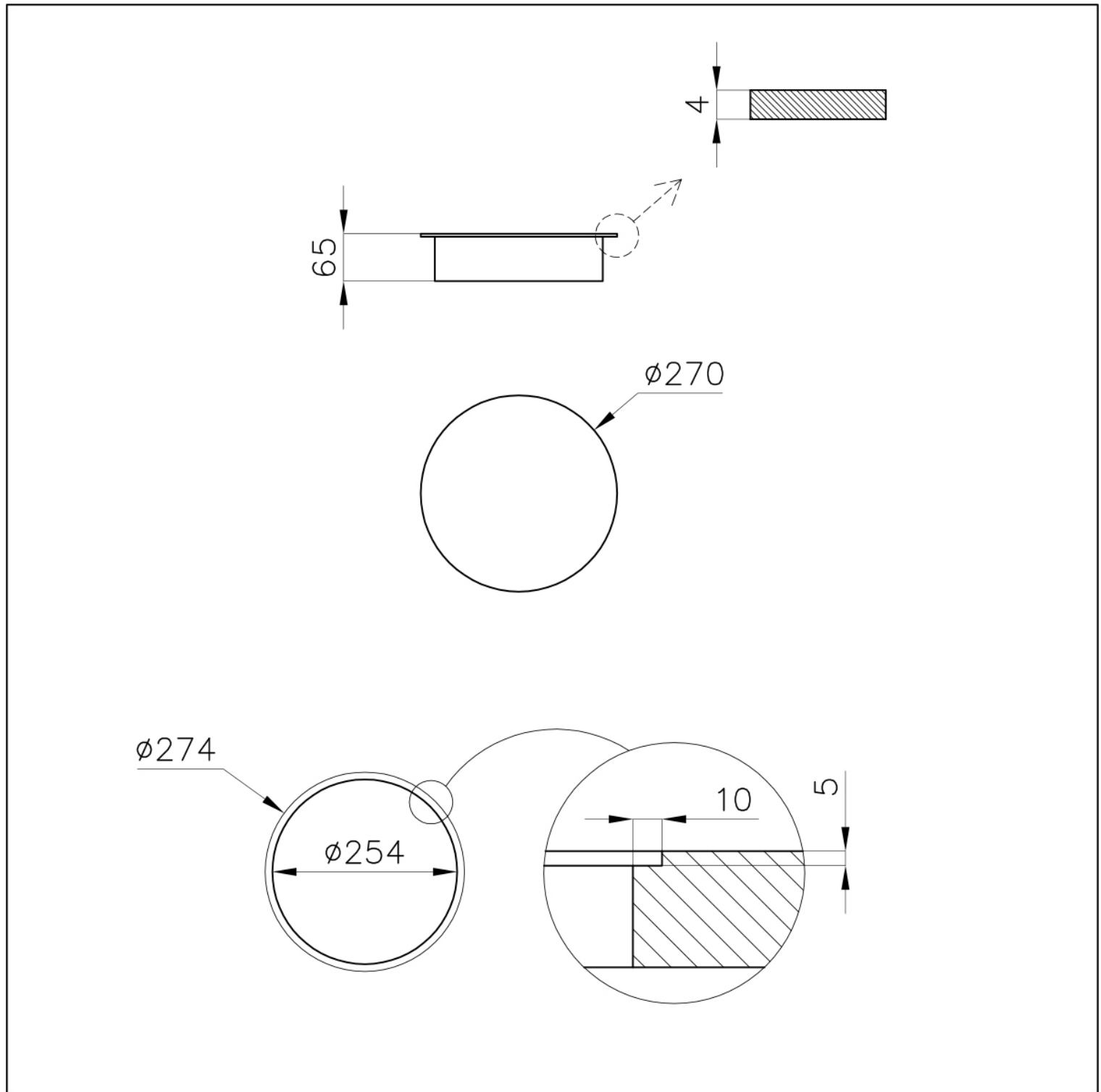
Type of commands

Touch Control

Notes:

* Powerboost

TECHNICAL DATA



OPTIONAL ACCESSORIES



Induction Pro - Cookware set -
8pcs 8210 008

RECOMMENDED PAIRINGS



Cooker hob Touch Control
Modular Induction 7368 025



Cooker hob Touch Control
Modular Induction 7368 035



Cooker hob Touch Control
Modular Induction 7368 045



Modular Induction 7369 020 -
Connection Box



Modular Induction 7369 030 -
Connection Box



Modular Induction 7369 040 -
Connection Box