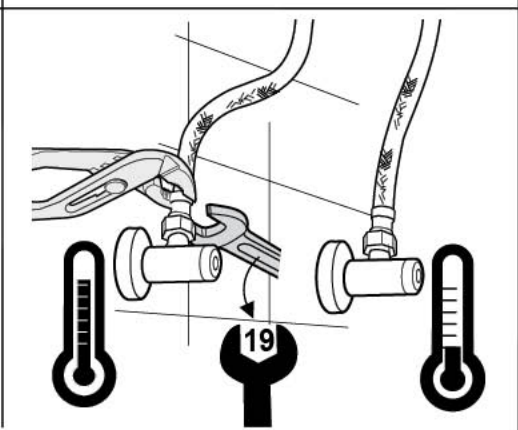
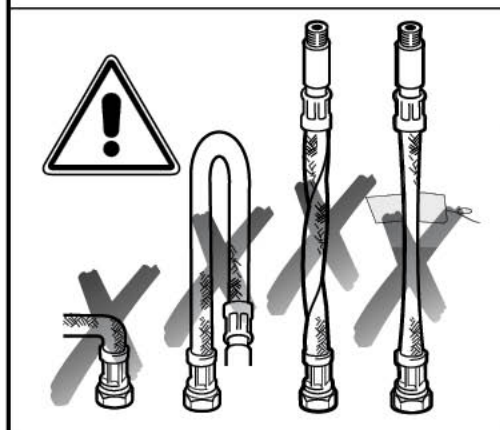
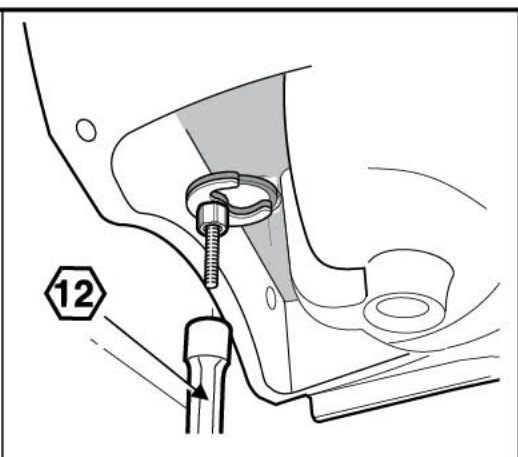
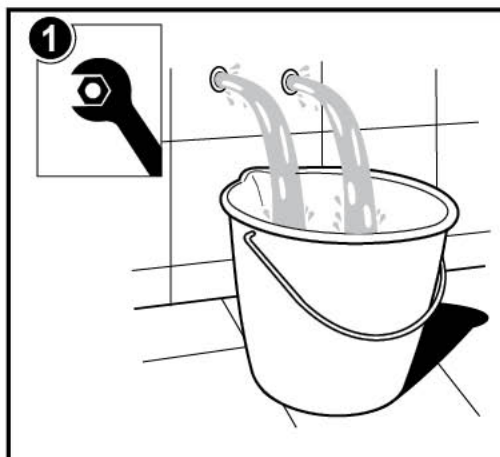




**Roca**

**L20**

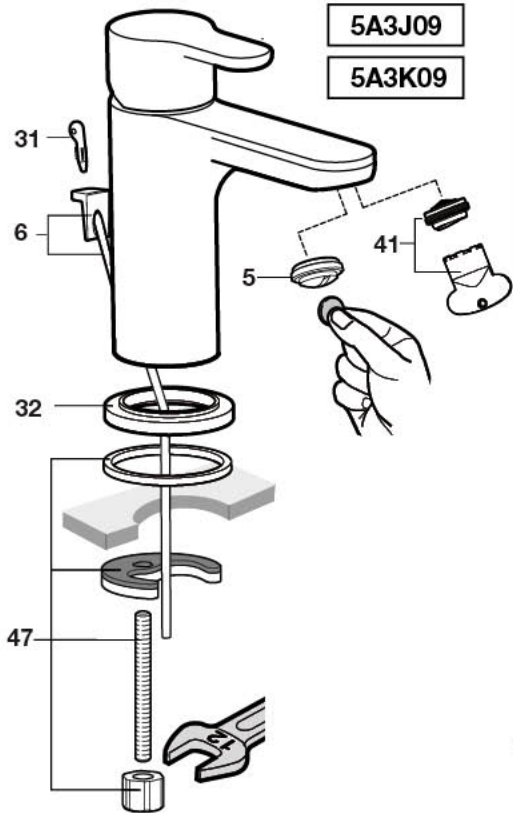
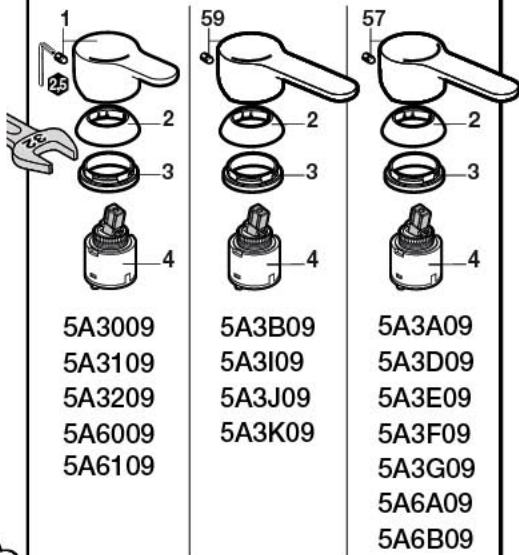




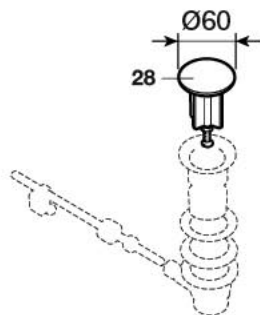
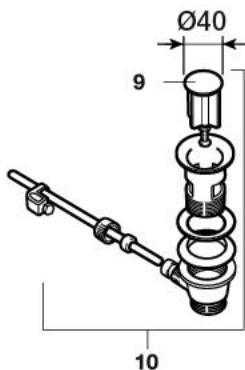
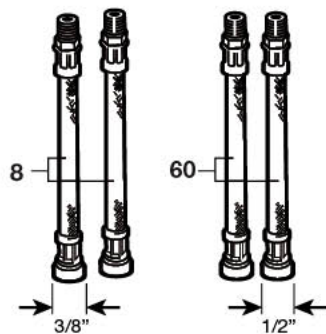
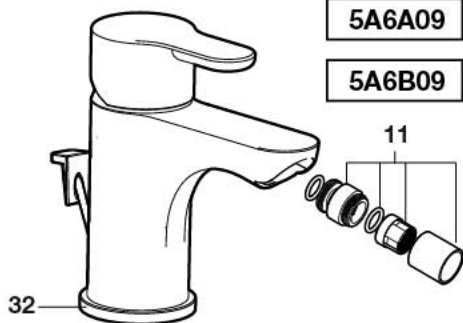
<b>P</b>	P bar	<b>MAX</b> 10
<b>P</b>	P bar	<b>MIN 1</b> <b>5 MAX</b>
<b>T</b>	°C	<b>80 MAX.</b>
<b>Q</b> (3 bar)	l/min	8            5            20
		<b>3</b>
		<b>65</b> <b>50</b>



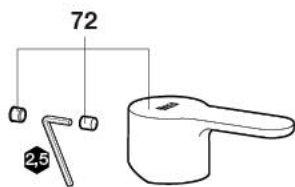
5A3009	5A3D09
5A3109	5A3E09
5A3209	5A3F09
5A3A09	5A3G09
5A3B09	5A3I09
	5A3J09
	5A3K09



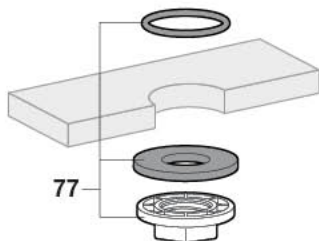
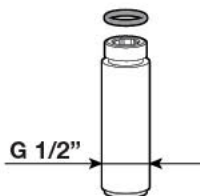
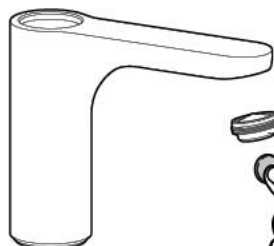
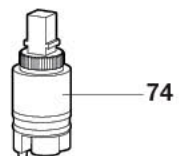
5A6009
5A6109
5A6A09
5A6B09



3



5A4209



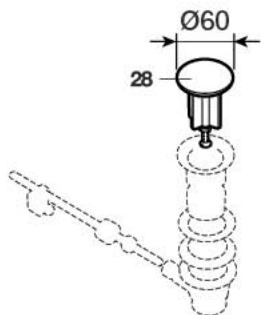
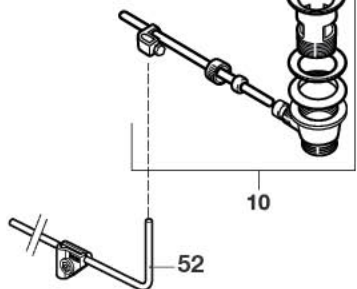
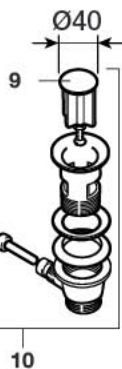
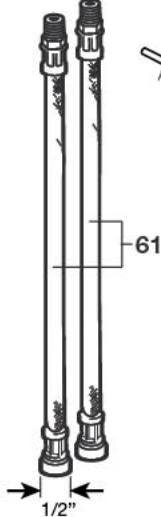
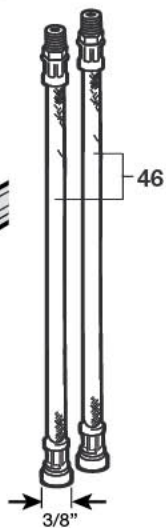
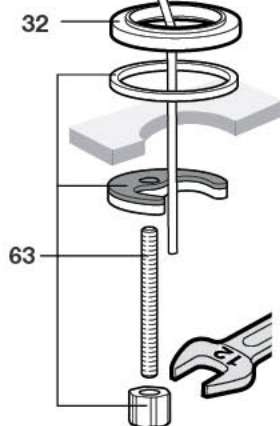
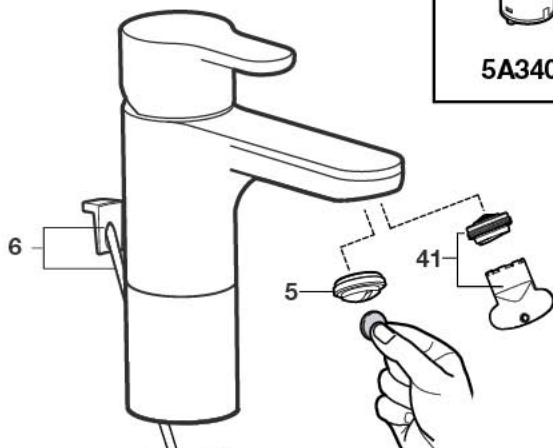
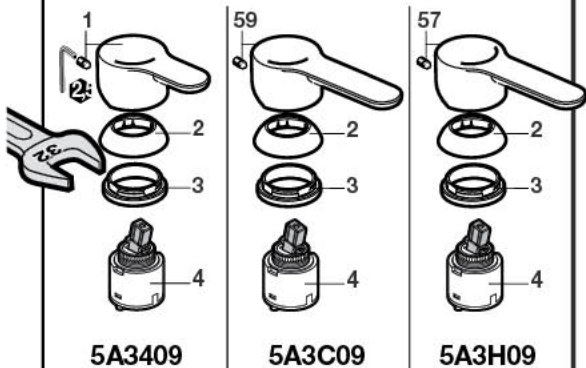
4



5A3409

5A3C09

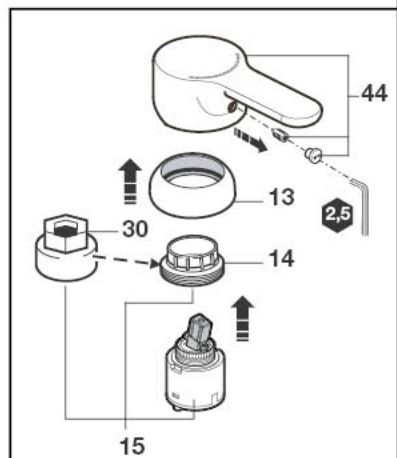
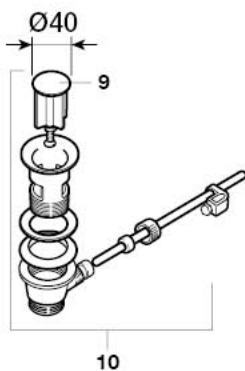
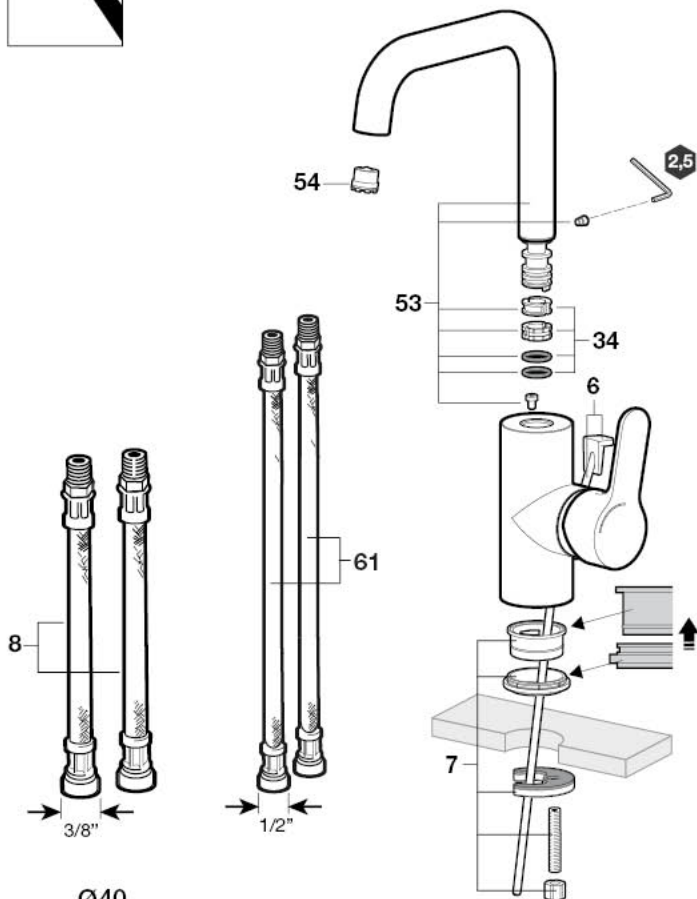
5A3H09



5



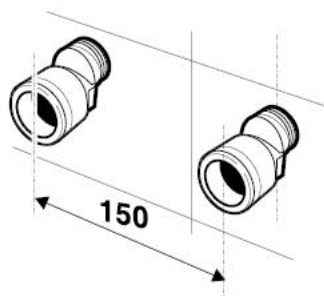
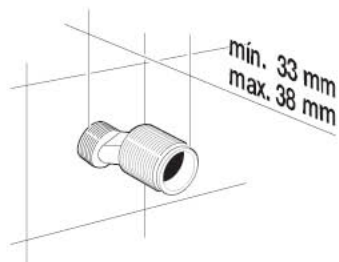
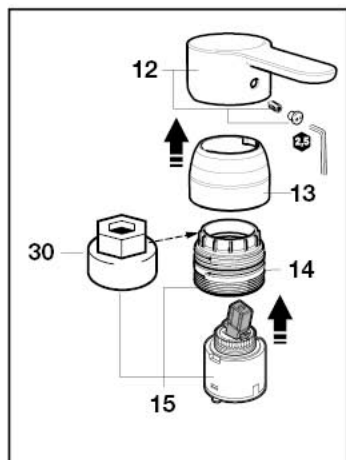
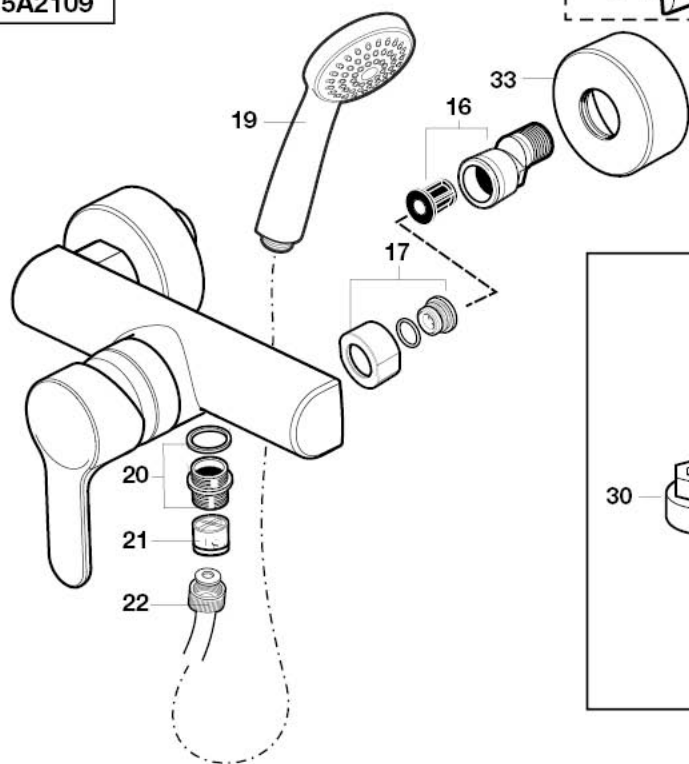
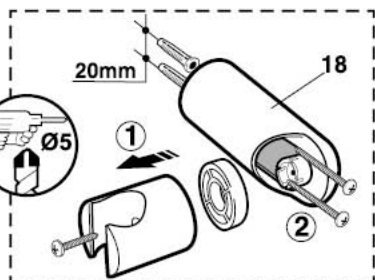
5A4009



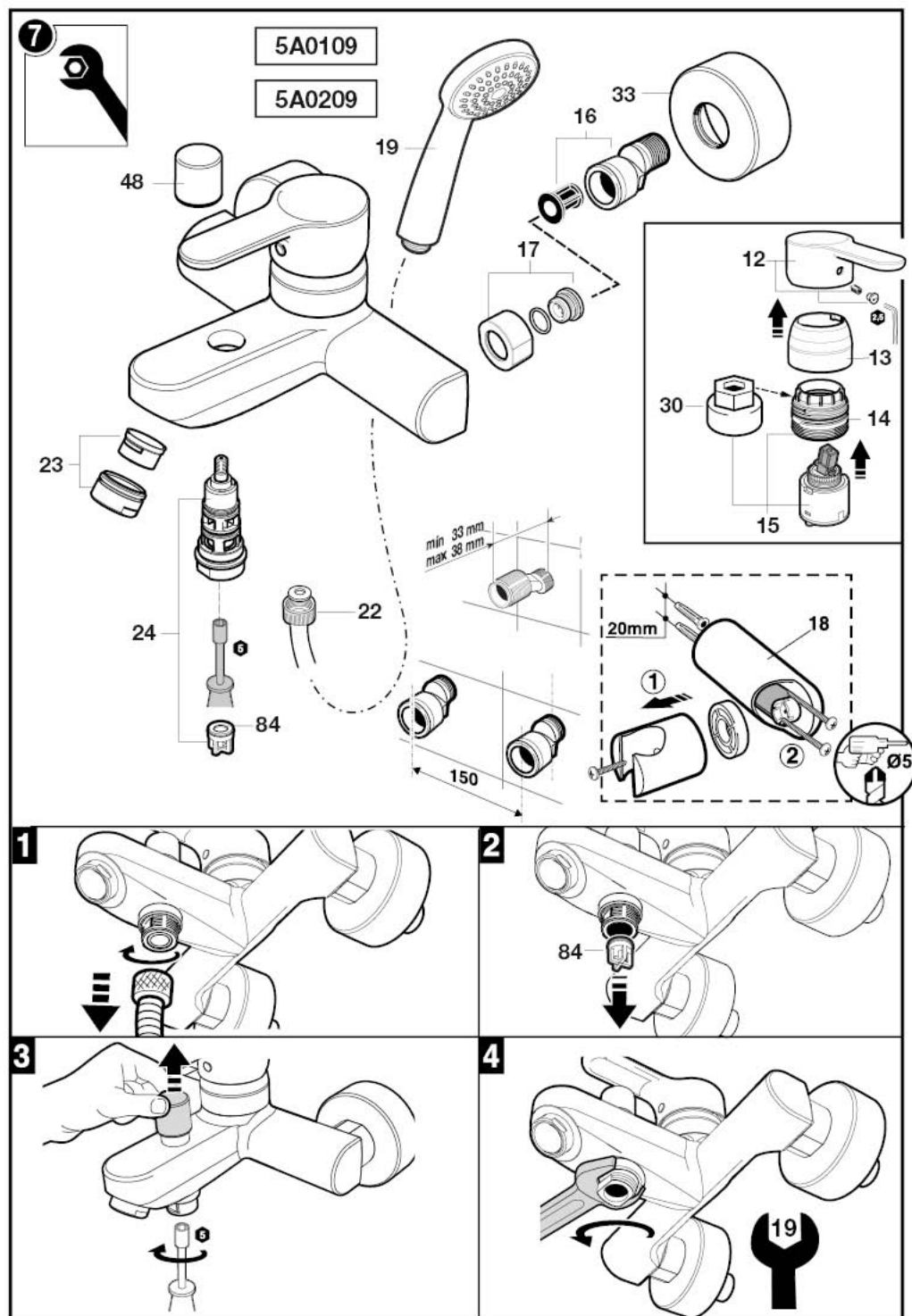
**6**

5A2009

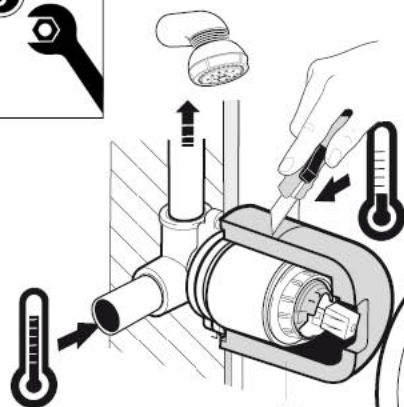
5A2109



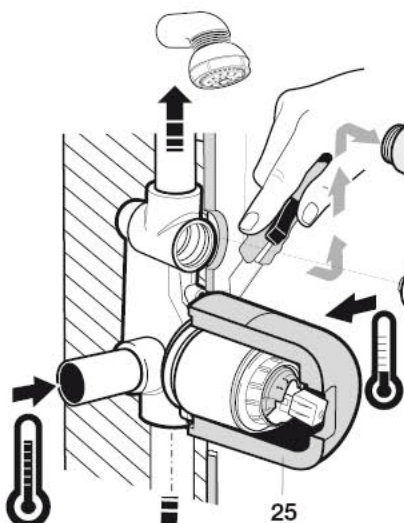
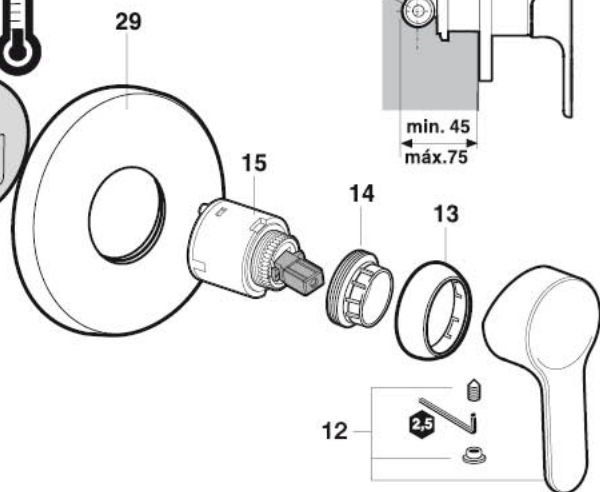




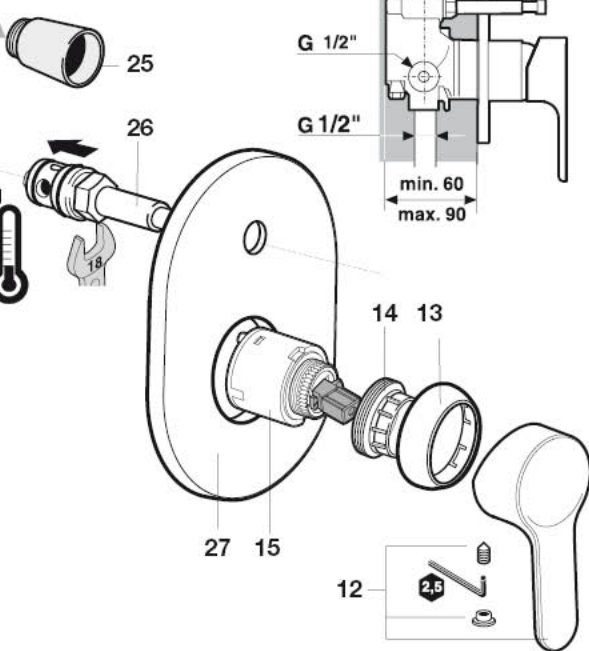


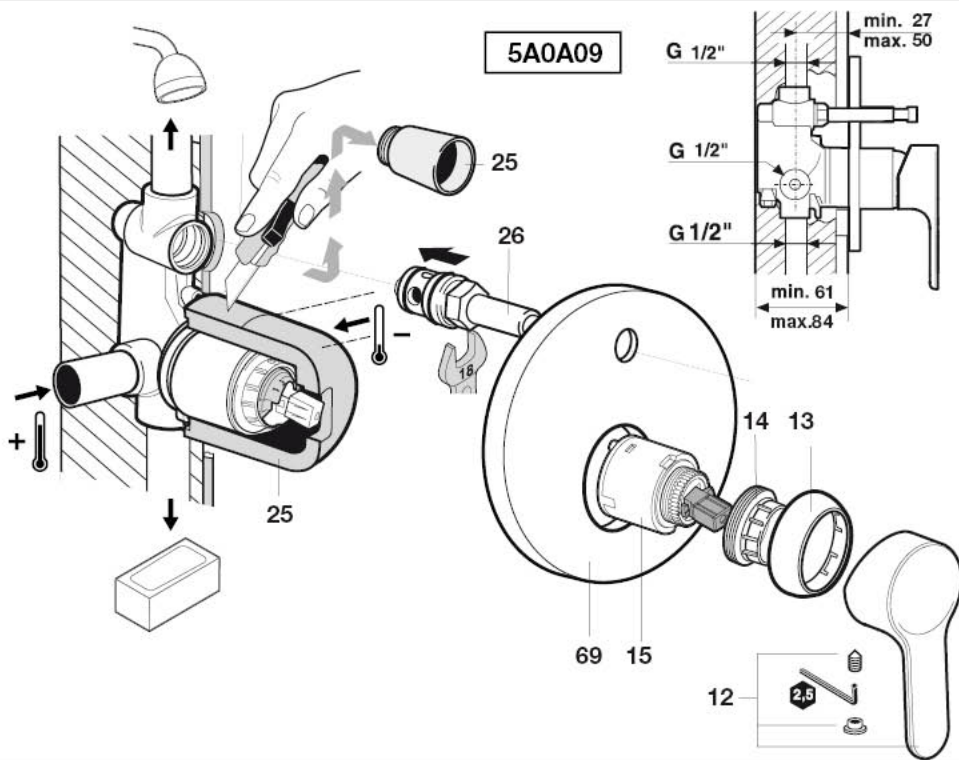
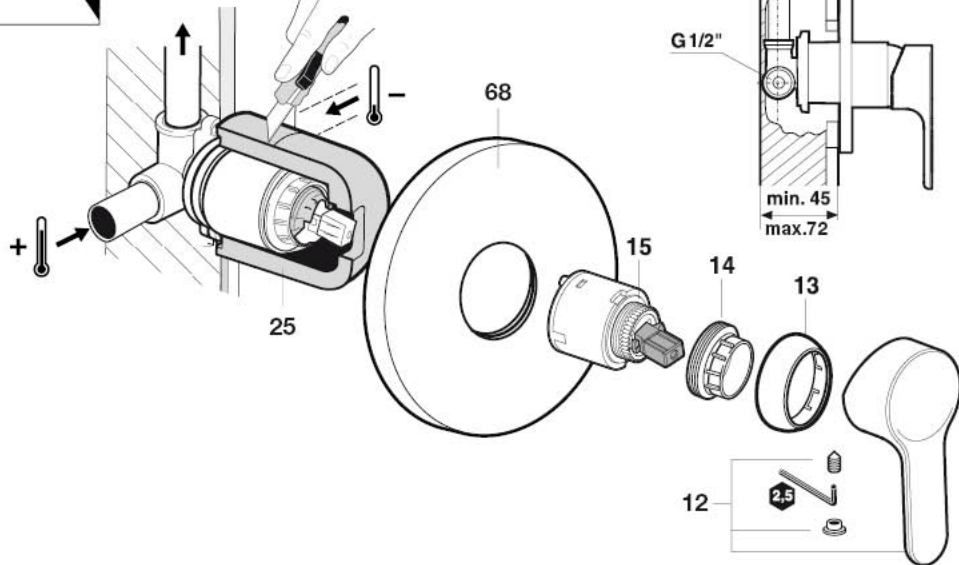


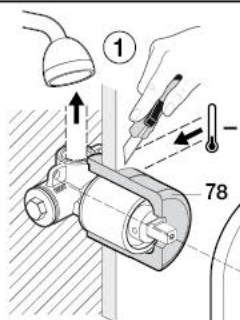
**5A2209**



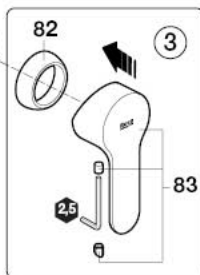
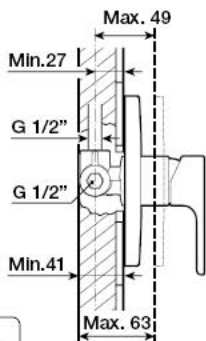
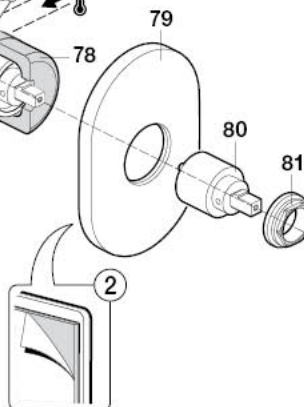
**5A0609**



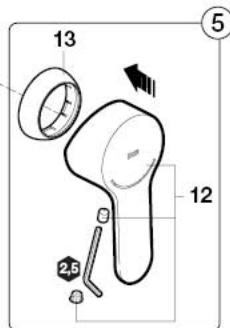
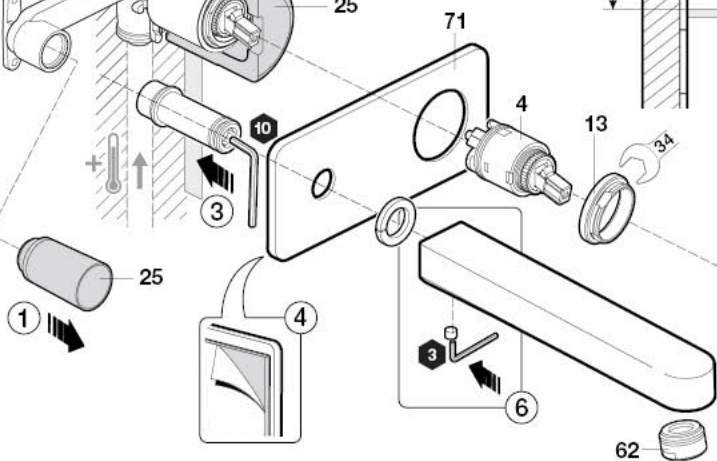
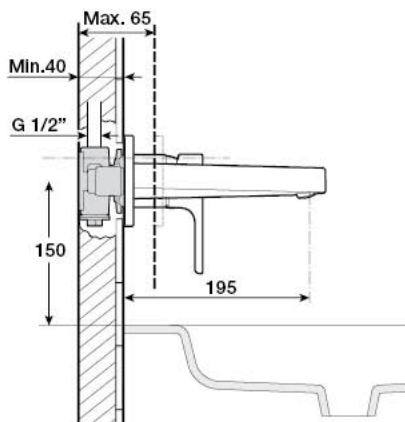
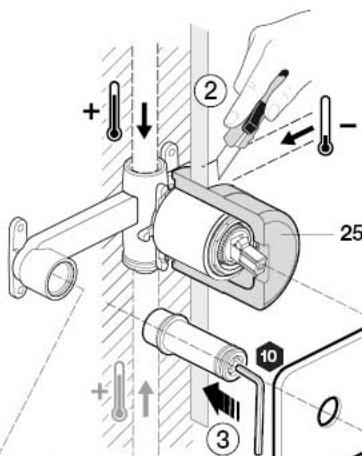




5A2D09



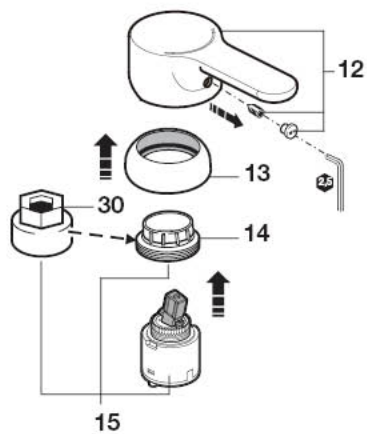
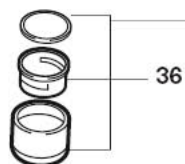
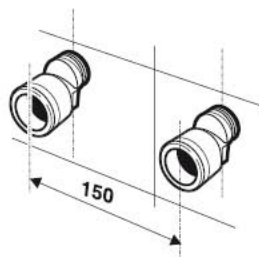
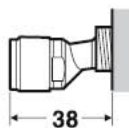
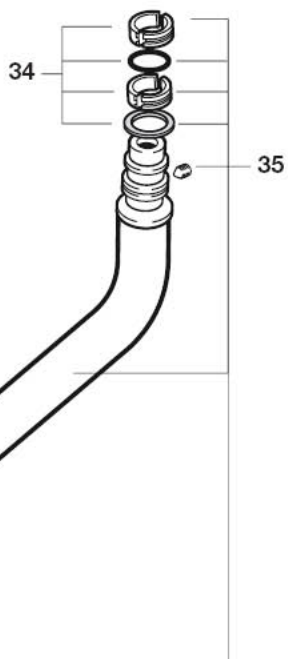
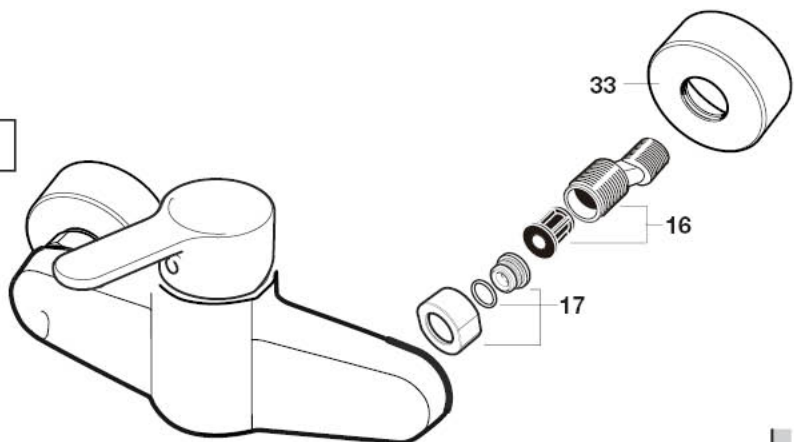
A5A3L09..0 + A525220603



11

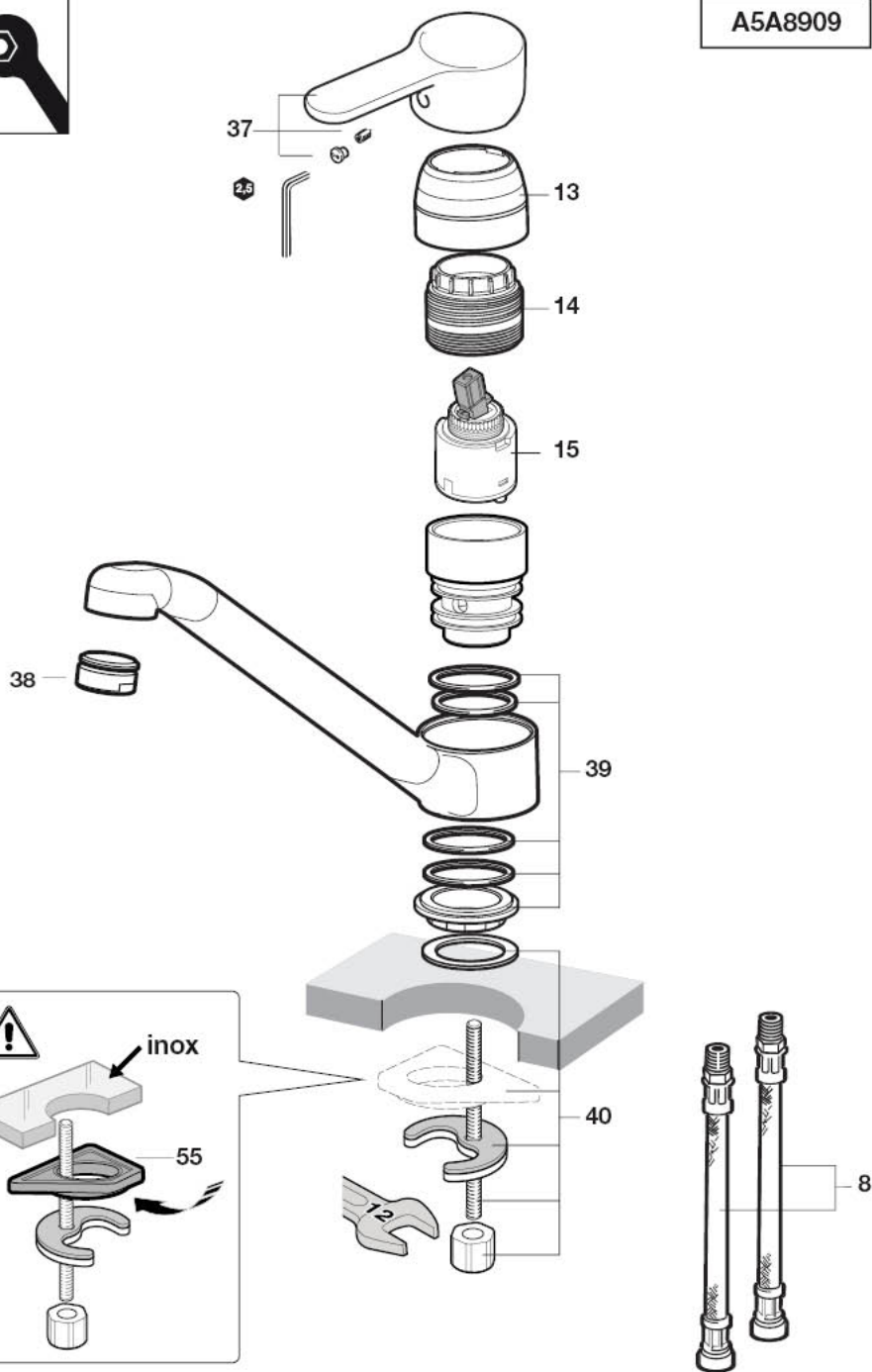


5A7609

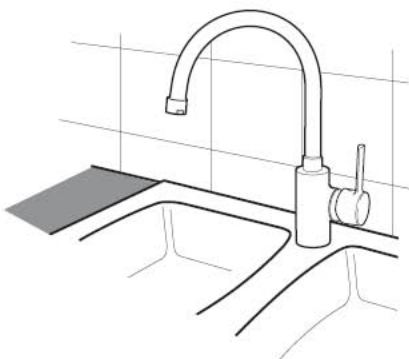
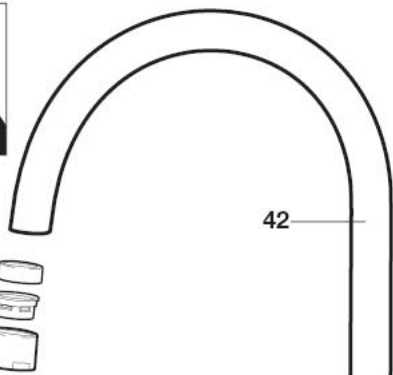


A5A8909

12



13



36



5A8409

42

43

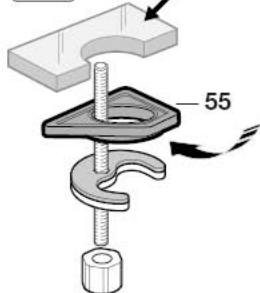


44

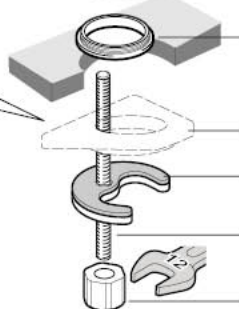


inox

55



45



44



13

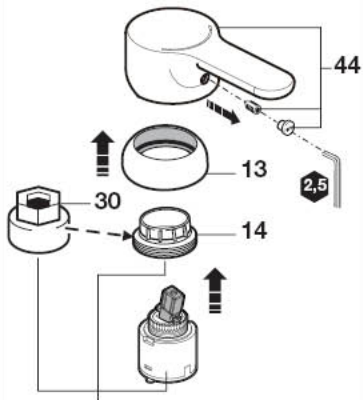
30

14

2,5



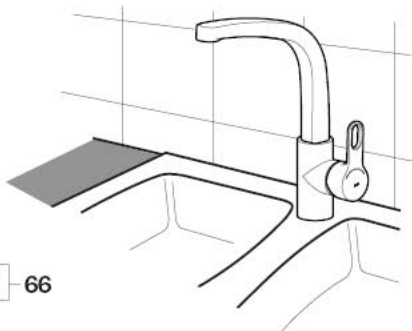
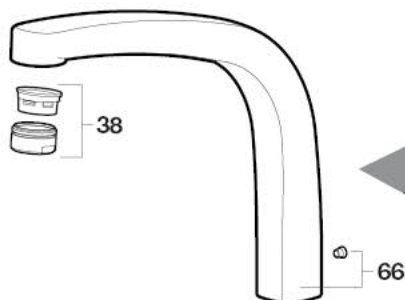
15



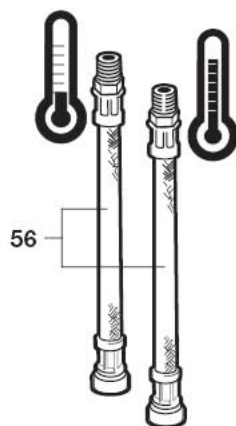
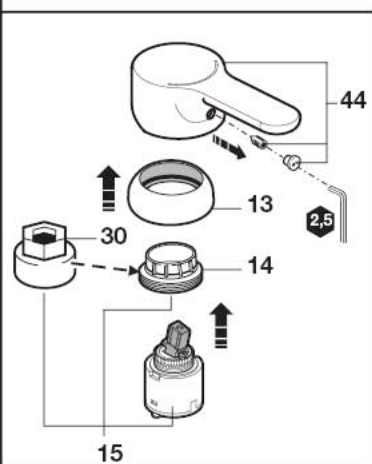
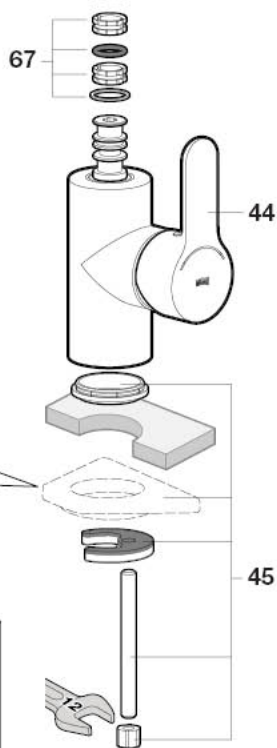
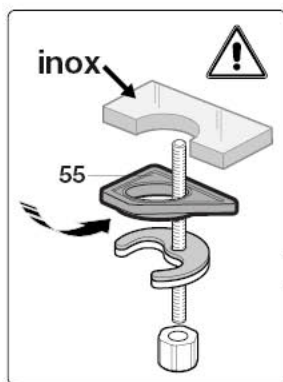
56



14



A5A8A09C00

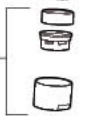




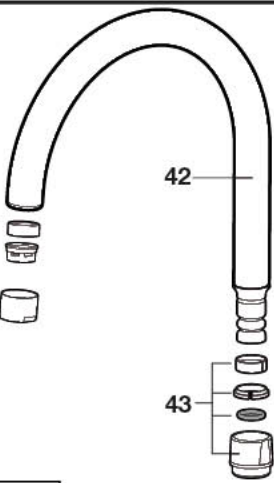
15



36



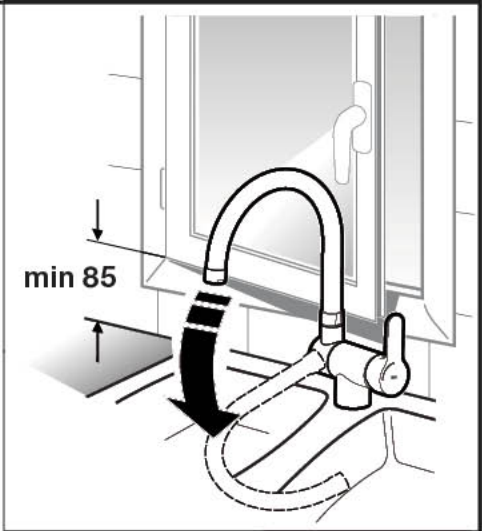
42



43



58

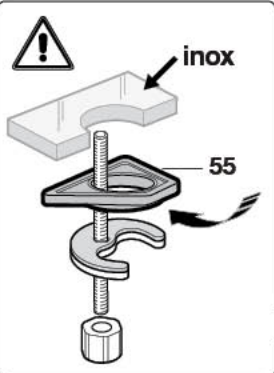


min 85

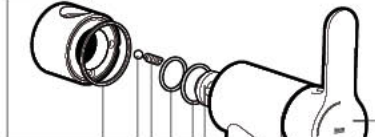
5A8209



inox

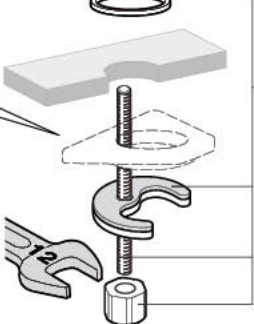


55

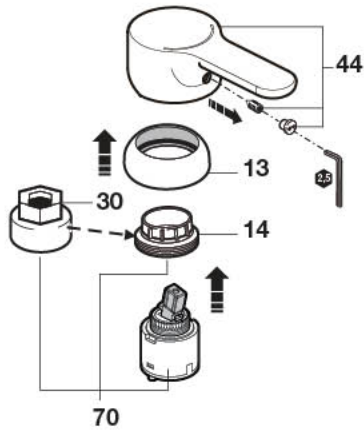


44

32



47



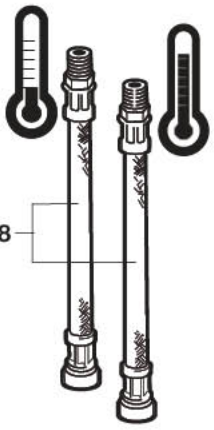
44

13

30

14

70

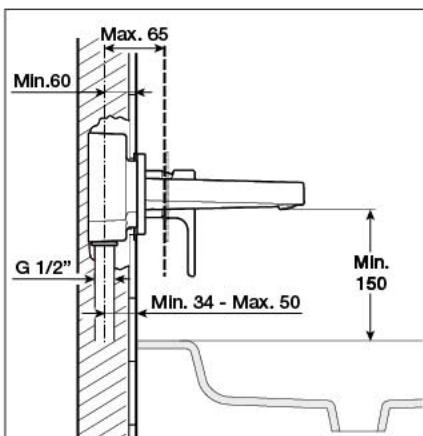
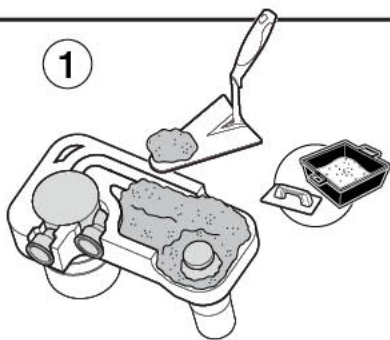


8

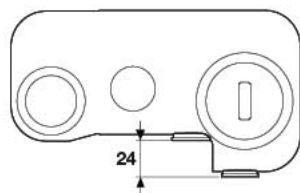
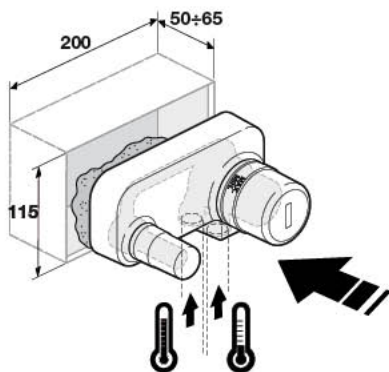
16



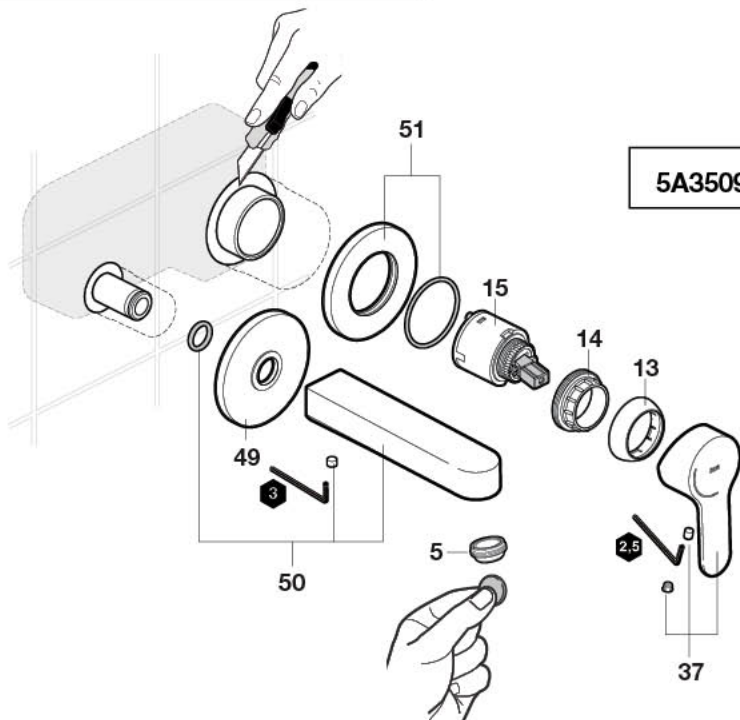
1



2

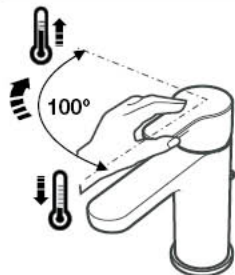
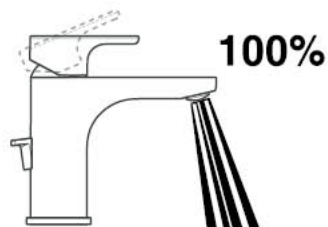
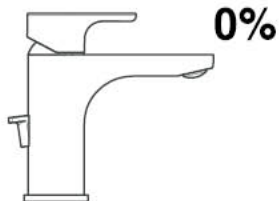


3

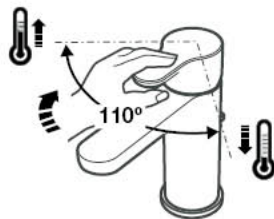
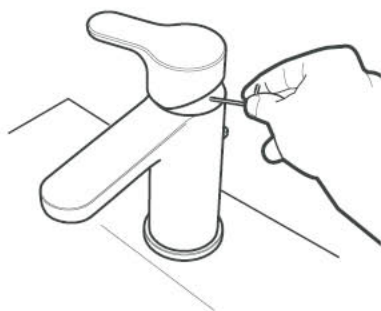


5A3509

17



5A3009	5A3J09
5A3109	5A3K09
5A3209	5A6009
5A3409	5A6109
5A3509	5A8209
5A3B09	5A8409
5A3C09	
5A3I09	



5A0109	5A3E09
5A0209	5A3F09
5A0609	5A3G09
5A2009	5A3H09
5A2109	5A6A09
5A2209	5A6B09
5A3A09	5A7609
5A3D09	5A8909

1 - AG0032000R	28 - AG0055800R	56 - AG0119708R
2 - AG0032100R	29 - A525002800	57 - AG0131500R
3 - AG0133903R	30 - A525005407	58 - AG0135000R
4 - AG0141207R	31 - A525094707	59 - AG0104000R
5 - 5l/min - AG0129507R	32 - AG0032800R	60 - AG0092409R
- 1,89l/min - AG0099100R	33 - AG0087100R	61 - AG0125509R
6 - A525020600	34 - AG0017707R	62 - AG0046600R
7 - A525030303	35 - AG0005800R	63 - AG0117500R
8 - A525020309	36 - A525006600	65 - AG0142100R
9 - AG0096200R	37 - AG0071400R	66 - AG0143500R
10 - AG0075300R	38 - A525004700	67 - AG0143600R
11 - AG0032300R	39 - A525007203	68 - AG0119500R
12 - AG0032400R	40 - AG0085803R	69 - AG0119600R
13 - AG0085300R	41 - AG0134507R	70 - AG0110607R
14 - A525023507	42 - AG0001600R	71 - AG0142300R
15 - AG0109807R	43 - AG0071500R	72 -
16 - AG0103908R	44 - AG0071600R	73 -
17 - A525005200	45 - AG0001503R	74 -
18 - AG0003700R	46 - A525020409	75 -
19 - A5B9103..0	47 - AG0143700R	76 -
20 - AG0036800R	48 - AG0126400R	77 -
21 - A525005507	49 - AG0071700R	78 -
22 - A525009800	50 - A525027000	79 -
23 - A525003600	51 - AG0071800R	80 -
24 - AG0116500R	52 - AG0033300R	81 -
25 - AG0001907R	53 - AG0090100R	82 -
26 - A525006500	54 - AG0122107R	83 -
27 - A525002700	55 - AG0101207R	84 - AG0134907R

