


**META Wall-mounted single-lever basin mixer without pop-up waste - Brushed Champagne (22kt Gold)**

META

36 861 660



- 250mm projection
- fixed spout
- circular, air-enriched flow
- hole diameter spout 37 mm
- hole diameter single-lever mixer 57 mm
- rosette for spout Ø 60mm
- rosette for mixer Ø 78mm
- max. flow 5.7 l/min
- lead-free
- This product can help a building meet the requirements of Green Building Rating Systems, e.g. LEED®, BREEAM®, DGNB
- WRAS 2107018

	Brushed Champagne (22kt Gold)	36 861 660-46
	Chrome	36 861 660-00
	Brushed Platinum	36 861 660-06
	Dark Chrome	36 861 660-19
	Light Gold	36 861 660-26
	Brushed Light Gold	36 861 660-27
	Matte Black	36 861 660-33
	Brushed Bronze	36 861 660-42
	Champagne (22kt Gold)	36 861 660-47
	Brushed Chrome	36 861 660-93
	Brushed Dark Platinum	36 861 660-99

**Required miscellaneous**



**Concealed wall-mounted single-lever mixer mixer on right -** 35 816 970 90  
 •NOTE:Not suitable for concealed installation.Connection by means of angle valves, mounted with screws to back wall.

**Required miscellaneous**

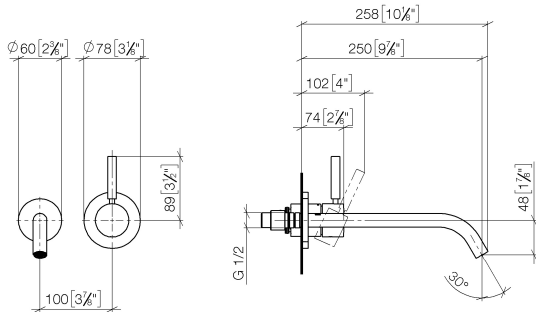


**Concealed wall-mounted single-lever mixer -** 35 860 970 90  
 •max. recess depth 95 mm  
 •min. recess depth 80 mm

**META Wall-mounted single-lever basin mixer without pop-up waste - Brushed Champagne (22kt Gold)**

META

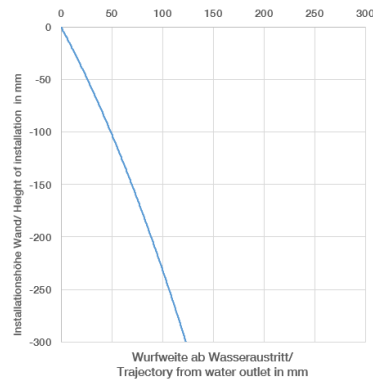
36 861 660  
mm [inches]



Flow rate chart



Trajectory diagram



Codes & Standards

EN 817

Scottish Water  
Byelaws

UK Water Supply  
Regulations



META Wall-mounted single-lever basin mixer without pop-up waste - Brushed  
Champagne (22kt Gold)

---

META

36 861 660

Certificates

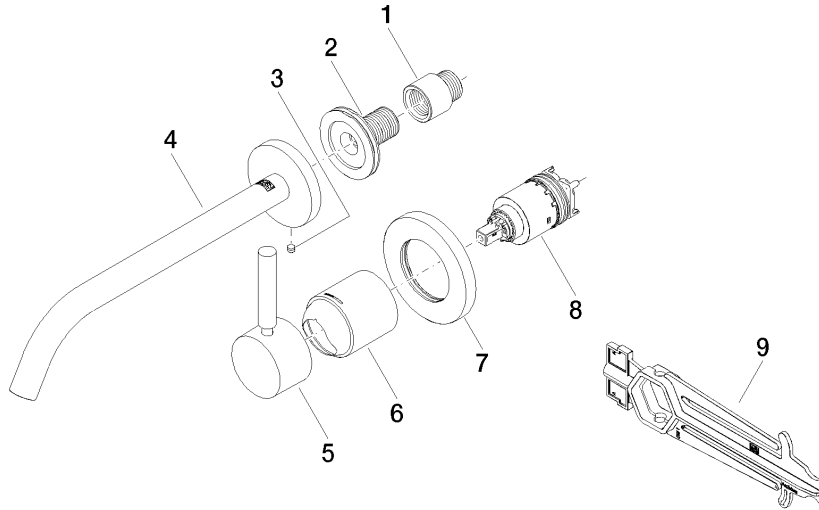
---

WRAS\_2107

DVGW\_DW-  
6512DN0

36 861 660

Product version from 7/1/2023





**META Wall-mounted single-lever basin mixer without pop-up waste - Brushed  
Champagne (22kt Gold)**

META

36 861 660

**Spare parts list**

**Product version from 7/1/2023**

No.	Item Number	Name	Quantity used	Delivery time
	09 24 03 072 10 90	nipple	9	2