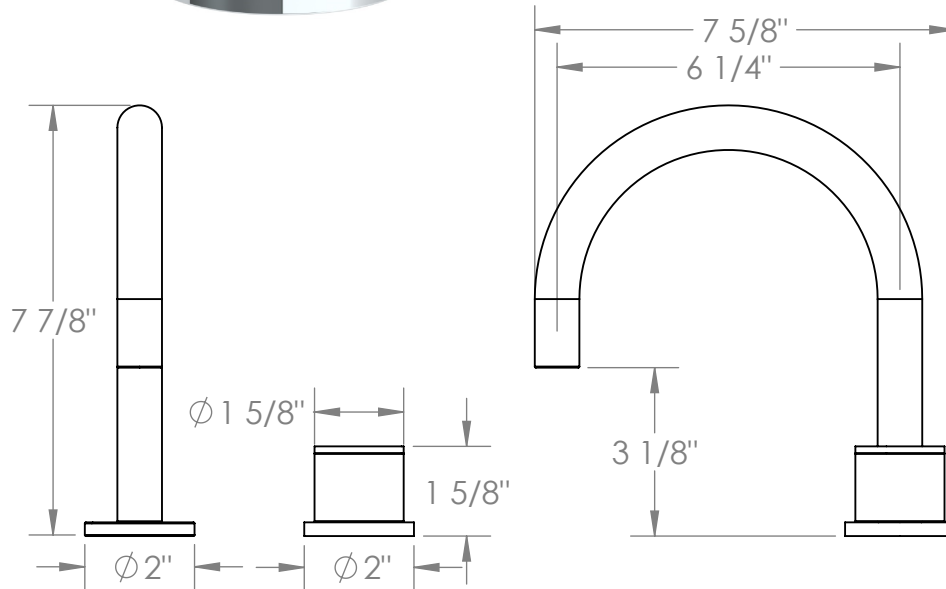


## 22-1.3S-TIA

Deck Mounted 2 Hole Gooseneck Lavatory Set with Short Spout  
Includes MPU5 Soft-Touch Drain with Overflow  
Flow Rate: 1.2 GPM



Meets the applicable requirements of ASME A112.18.1-2005/CSA B125.1-05, entitled "Plumbing Supply Fittings"

**WATERMARK** DESIGNS 8/29/2019

350 Dewitt Ave Brooklyn NY 11207 USA T 718 257 2800 F 718 257 2144 info@watermark-designs.com