

Collection

## MILANO TORINO

Article

### MT206

Description

Wall mounted washbasin mixer complete with drain

Built-in body to be purchased separately INC206XXXN\_19

Box Dimensions

265x260x70 mm

Weight

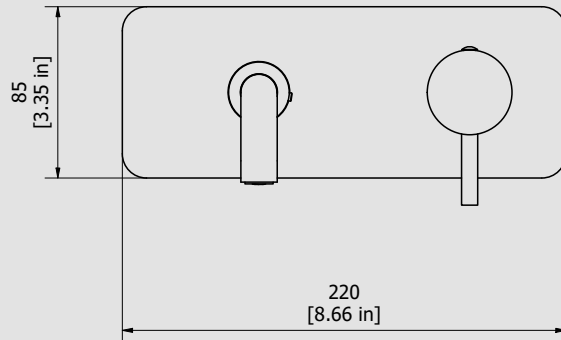
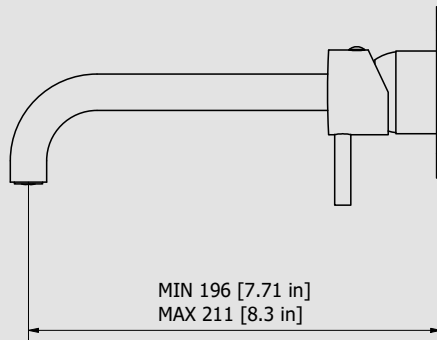
1.3 kg

Finishes

- |                                |   |                                  |                                     |                              |                                     |
|--------------------------------|---|----------------------------------|-------------------------------------|------------------------------|-------------------------------------|
| ● <b>CC</b><br>CHROME          | ○ <b>PL</b><br>PLATINUM                   | ● <b>SS</b><br>BRUSHED<br>NICKEL | ● <b>ON</b><br>NATURAL<br>BRASS     | ● <b>BO</b><br>MATT<br>WHITE | ● <b>NP</b><br>MATT<br>BLACK        |
| ● <b>CF</b><br>BLACK<br>CHROME | ● <b>CS</b><br>BRUSHED<br>BLACK<br>CHROME | ● <b>II</b><br>PALE<br>GOLD      | ● <b>IS</b><br>BRUSHED<br>PALE GOLD | ● <b>RS</b><br>ROSE<br>GOLD  | ● <b>SR</b><br>BRUSHED<br>ROSE GOLD |
| ● <b>OO</b><br>GOLD            | ● <b>OS</b><br>BRUSHED<br>GOLD            | ○ <b>RR</b><br>ANTIQUÉ<br>COPPER | ○ <b>BB</b><br>ANTIQUÉ<br>BRONZE    |                              |                                     |



Dimensions



Cartridge

Ø35 ceramic cartridge

Threaded fitting

G1/2" female

Aerator

M16.5X1

Flow Rate (+/-10%)

|                         |                          |                        |
|-------------------------|--------------------------|------------------------|
| <b>1 BAR</b><br>7.6 l/m | <b>2 BAR</b><br>10.5 l/m | <b>3 BAR</b><br>13 l/m |
|-------------------------|--------------------------|------------------------|

Production

Main body is a single casted pieces

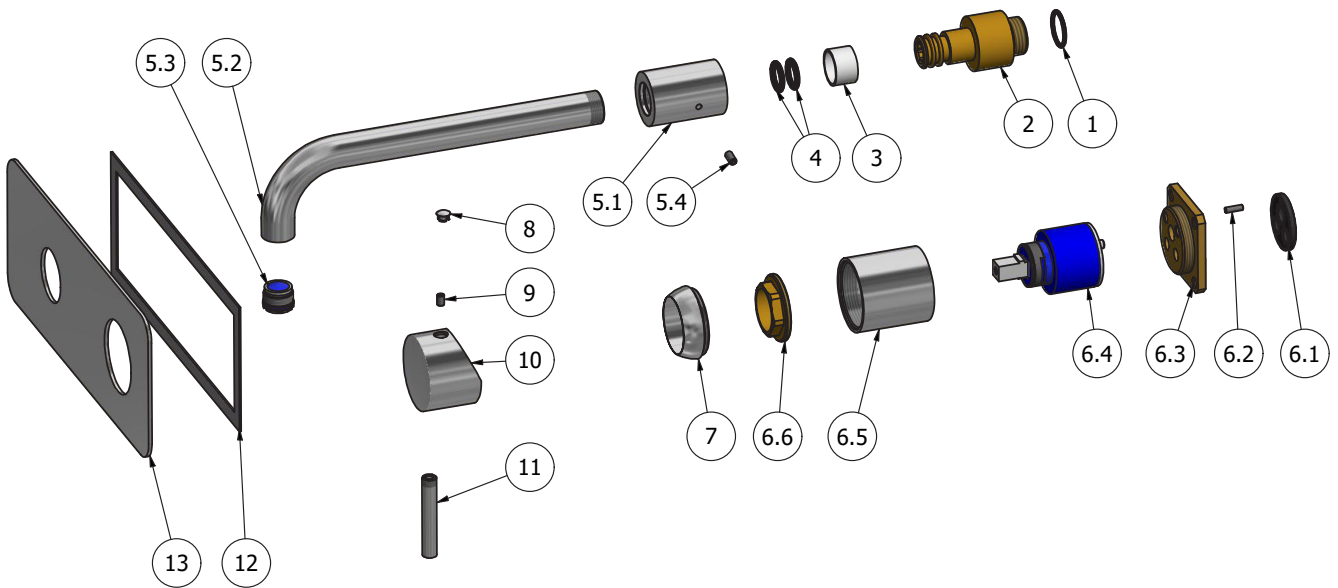
Material

**BRASS**  
According to CuZn35Pb2Al-B (CB752S)  
Max Lead content: 1.36%



WE ARE IB

| Parts list |                  |   |    |
|------------|------------------|---|----|
| ELEM       | CODE             | DESCRIPTION   | QT |
| 1          | AQ0004630        | OR 17.16x1.78 NBR 70 SH                             | 1  |
| 2          | AS0011746        | Spout-out insert G1/2" H59                          | 1  |
| 3          | AQ0010143        | Antifriction ring Ø20 H12.5                         | 1  |
| 4          | AQ0001360        | OR 11.91x2.62 NBR 70 SH                             | 2  |
| 5          | CP11995CC<br>-1  | Spout Ø18 L194                                      | 1  |
| 5.1        | AC0011554        | Insert for spout-out Ø30 L42                        | 1  |
| 5.2        | AC0011995        | Spout-out M18x1 M16.5x1 Ø18 L194                    | 1  |
| 5.3        | AQ0014236        | Cachè perlator M16,5 x 1 coin slot<br>(44.3230.450) | 1  |
| 5.4        | AQ0006921        | Grubscrew M4x8 flat point                           | 1  |
| 6          | CPIN206CC<br>-19 | Mixer 47x47 x recessed                              | 1  |
| 6.1        | AQ0015684        | Gasket Ø31 H3.5 Ø7 Ø7.5                             | 1  |
| 6.2        | AQ0015357        | Grubscrew M3x10 flat point                          | 1  |
| 6.3        | AS0013040        | Insert 47x47 H11 M37x1.5                            | 1  |
| 6.4        | AQ0004095        | Ceramic cartridge Ø35 9x9 (K35A)                    | 1  |
| 6.5        | AC0010445        | Ring for recessed shower mixer                      | 1  |
| 6.6        | AQ0001040        | Cartridge ring nut M37x1.5 H9                       | 1  |
| 7          | AQ0003630        | Cartridge ring nut cover M37x1.5                    | 1  |
| 8          | AQ0006650        | Plug cover Ø7                                       | 1  |
| 9          | AQ0001081        | Grubscrew M4x6 flat point                           | 1  |
| 10         | AC0011351        | Handle Ø42 H30                                      | 1  |
| 11         | AC0014230        | Rod Ø8 H47 M8x1.25                                  | 1  |
| 12         | AQ0014142        | Rubber packing double-sided tape<br>200x75x8x1      | 1  |
| 13         | AC0013126        | Plate 220x85x2                                      | 1  |





## WARRANTY

All IB Rubinetterie SpA products are warranted for 10 years from the date of purchase, for the following cases:

- Defects of casting, porosity and chrome plating.
- Operating defects caused by incorrect fabrication.

The warranty provides for repair or replacement of products with fabrication defects recognized by our technical office. There is no other type of compensation anche the merchandise must be returned FOB our warehouse. The warranty only cover surface defects (scatches, dings, etc.) on fitting that have not been installed and used, returned in its original packaging with all components. O-ring, gasket seals and components subject to wear proportional to use are warranted for 2 years.

### The warranty is void in the following cases:

Error installing and putting the product into service.

Deterioration of finished surfaces due to use of cleaning products containing acids or abrasive substances. Deterioration of surface with finishes other than chrome plating. Their durability is, in fact, dependent on the user's care and gentleness of use.

Deterioration of the fitting due incorrect installation.

Improper repairs and maintenance performed without the company's prior authorization.

The warranty from IB Rubinetterie SpA is not renewable.

### Cleaning

We recommended cleaning the finish surfaces with water and soap, using a soft cloth.

Do not use detergents that contain hydrochloric acid or abrasive substances.

