

33 840 760



- 220mm projection
- pivotable spout 130°
- air-enriched flow
- height of mixer 167 mm
- height up to aerator 145 mm
- hole diameter 35 mm
- fabric braided hose 1500 mm
- max. flow 8 l/min at 3 bar flow pressure
- lead-free
- This product can help a building meet the requirements of Green Building Rating Systems, e.g. LEED®, BREEAM®, DGNB

Intrinsic protection against back flow.

	Brushed Durabron (23kt Gold)	33 840 760-28
	Chrome	33 840 760-00
	Brushed Platinum	33 840 760-06
	Platinum	33 840 760-08
	Dark Chrome	33 840 760-19
	Brushed Champagne (22kt Gold)	33 840 760-46
	Champagne (22kt Gold)	33 840 760-47
	Brushed Chrome	33 840 760-93
	Brushed Dark Platinum	33 840 760-99

**Recommended miscellaneous**

**Strainer waste with control handle - Brushed Durabron (23kt Gold)** 10 712 970-28

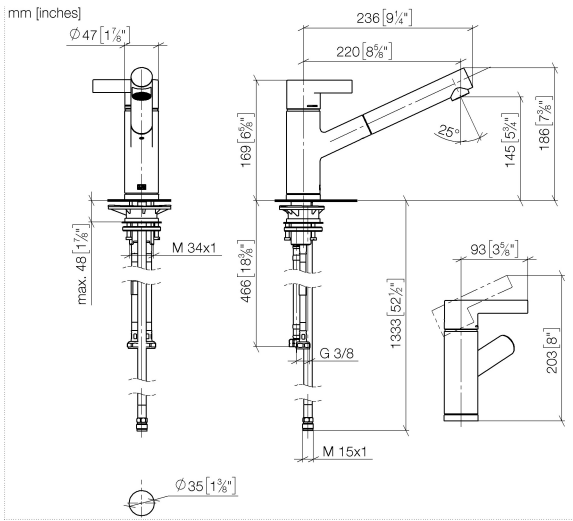


**Recommended miscellaneous**

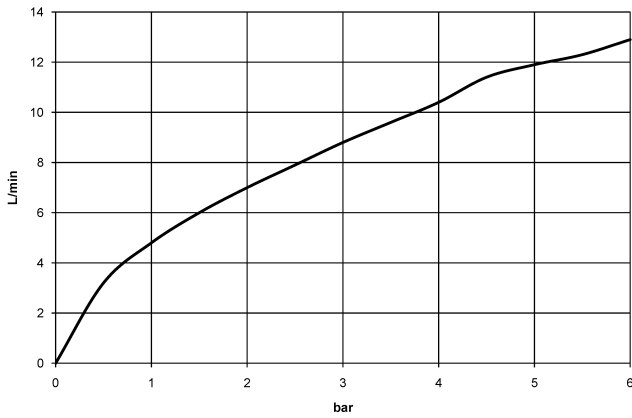
**Dispenser without rosette - Brushed Durabron (23kt Gold)** 82 424 970-28



33 840 760



**Flow rate chart**



**Codes & Standards**

DIN 4109	EN 1717	EN 817	Executive Order no. 1007
ISO 3822	Ü-Zeichen	VA-Zeichen	



ENO Single-lever mixer Pull-out - Brushed Durabron (23kt Gold)

ENO

33 840 760

Certificates

Belgaqua\_22\_277\_2 ETA\_20

GDV\_0400

LGA\_19

33 840 760

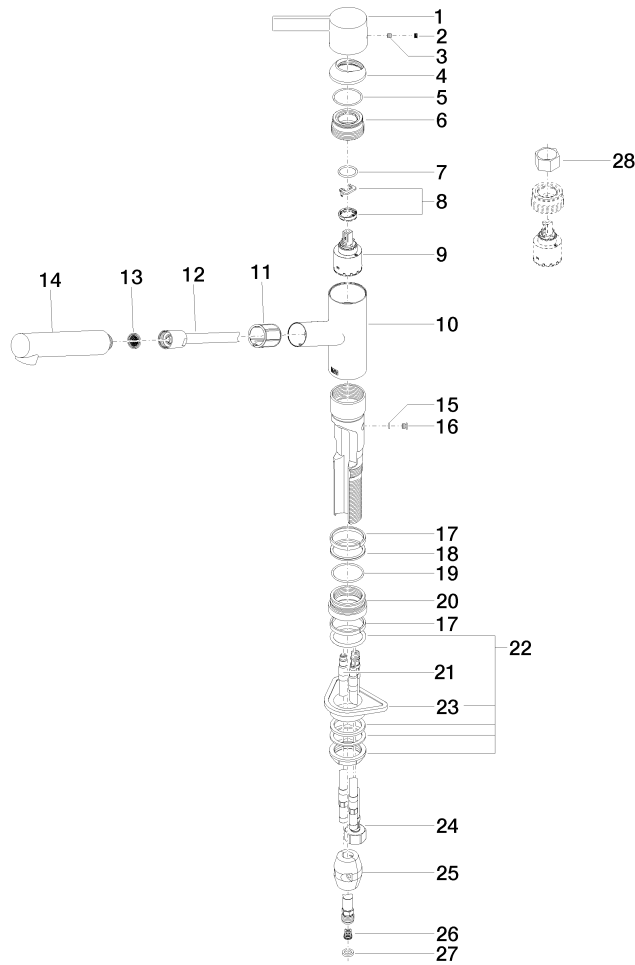
Product version up to 12/31/2013

Product version from 12/31/2013 to 3/5/2020

Product version from 3/5/2020 to 5/7/2021

**Product version from 5/7/2021**

Parts for other finishes can be found here: [Chrome](#)





## ENO Single-lever mixer Pull-out - Brushed Durabrass (23kt Gold)

ENO

33 840 760

### Spare parts list

Product version up to 12/31/2013

Product version from 12/31/2013 to 3/5/2020

Product version from 3/5/2020 to 5/7/2021

### **Product version from 5/7/2021**

No.	Item Number	Name	Quantity used	Delivery time
	09 20 76 001-28	handle	30	20