



WE ARE IB

Collection

BOLD

Article

B2022

Description

Duplex

Box Dimensions

340 x 180 x 70 mm

Weight

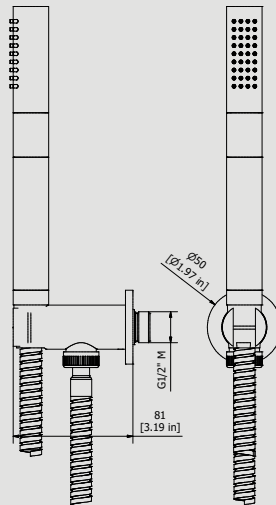
1 kg

Finishes

- **CC** CHROME
- **CF** BLACK CHROME
- **OO** GOLD
- **BB** ANTIQUE BRONZE
- **SS** BRUSHED NICKEL
- **CS** BRUSHED BLACK CHROME
- **BO** MATT WHITE
- **NP** MATT BLACK
- **IS** BRUSHED PALE GOLD
- **OS** BRUSHED GOLD
- **II** PALE GOLD
- **RR** ANTIQUE COPPER
- **RS** ROSE GOLD
- **ON** NATURAL BRASS
- **SR** BRUSHED ROSE GOLD
- **PL** PLATINUM



Dimensions



Cartridge

Threaded fitting

G1/2" male

Aerator

Flow Rate (+/-10%)

1 BAR
6.7 l/min

2 BAR
9.6 l/min

3 BAR
11.9 l/min

Production

Main body is a single casted pieces

Material

BRASS
According to CuZn35Pb2Al-B (CB752S)
Max Lead content: 1.36%

IB RUBINETTERIE s.p.a
via dei Pianotti 3/5
25068 Sarezzo (BS) - Italy -

T. +39 030 802101
F. +39 030 803097
info@weareib.it

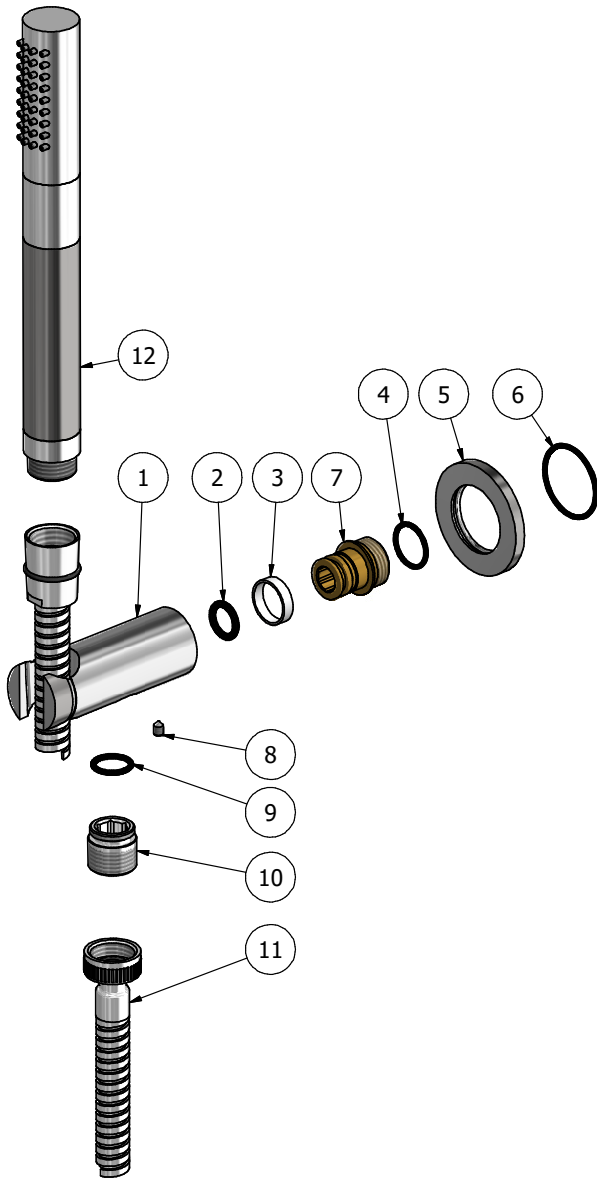
P.IVA 01785230986
capitale sociale
€420.000,00 i.v.

www.weareib.it





WE ARE IB



Parts list			
ELEM	CODE	DESCRIPTION	QT
1	AC0012661	Hand shower support Ø29.8 H81 knurled	1
2	AQ0001360	OR 11.91x2.62 NBR 70 SH	1
3	AQ0010435	Teflon ring Ø19,9 x 5	1
4	AQ0004630	OR 17.16x1.78 NBR 70 SH	1
5	AC0012736	Ring Ø50 Ø30.5 H5 knurled	1
6	AQ0008025	OR 29.87x1.78 NBR 70 SH	1
7	AS0011282	Connection piece for spout-out G1/2" L27.7	1
8	AQ0010444	Grubscrew M4x6 cone point	1
9	AQ0001390	OR 14x2 NBR 70 SH	1
10	AC0011892	Shower connection piece G1/2" M19x1 H19	1
11	AQ0003120	Hose G1/2" F G1/2" cone L150	1
12	AQ0015375	Hand shower knurled	1



WE ARE IB

WARRANTY

All IB Rubinetterie SpA products are warranted for 10 years from the date of purchase, for the following cases:

- Defects of casting, porosity and chrome plating.
- Operating defects caused by incorrect fabrication.

The warranty provides for repair or replacement of products with fabrication defects recognized by our technical office. There is no other type of compensation unless the merchandise must be returned FOB our warehouse. The warranty only covers surface defects (scratches, dings, etc.) on fittings that have not been installed and used, returned in its original packaging with all components. O-ring, gasket seals and components subject to wear proportional to use are warranted for 2 years.

The warranty is void in the following cases:

Error installing and putting the product into service.

Deterioration of finished surfaces due to use of cleaning products containing acids or abrasive substances. Deterioration of surface with finishes other than chrome plating. Their durability is, in fact, dependent on the user's care and gentleness of use.

Deterioration of the fitting due to incorrect installation.

Improper repairs and maintenance performed without the company's prior authorization.

The warranty from IB Rubinetterie SpA is not renewable.

Cleaning

We recommend cleaning the finish surfaces with water and soap, using a soft cloth.

Do not use detergents that contain hydrochloric acid or abrasive substances.

