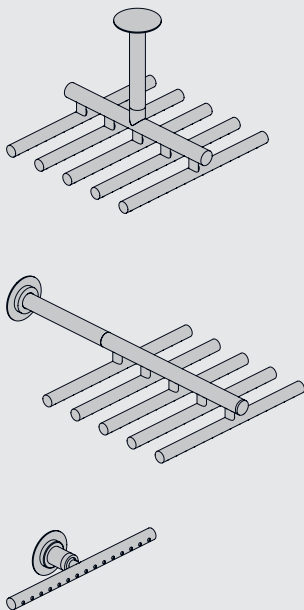


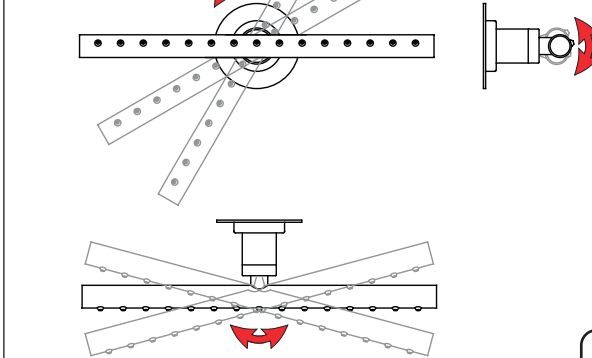
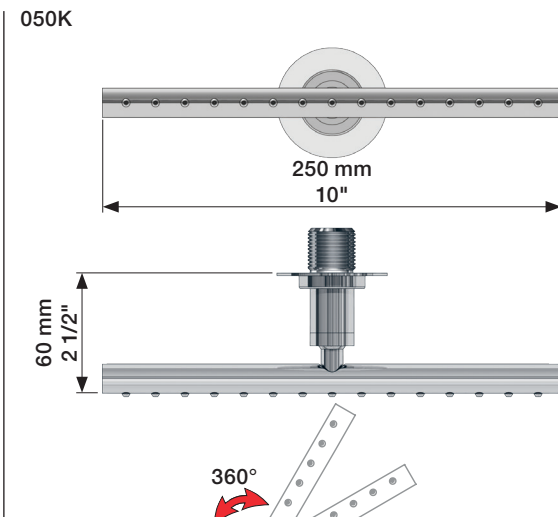
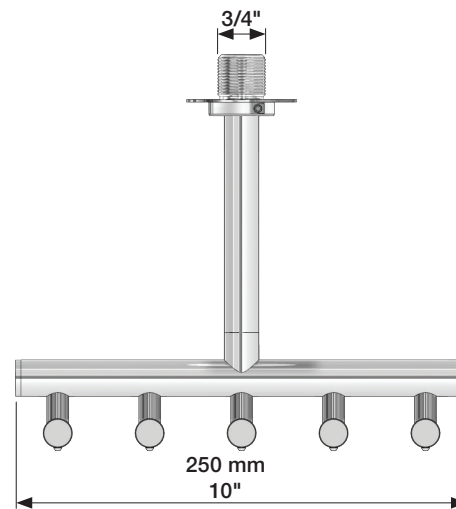
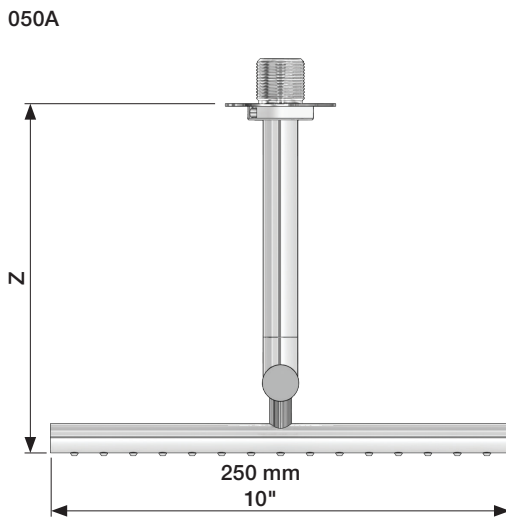
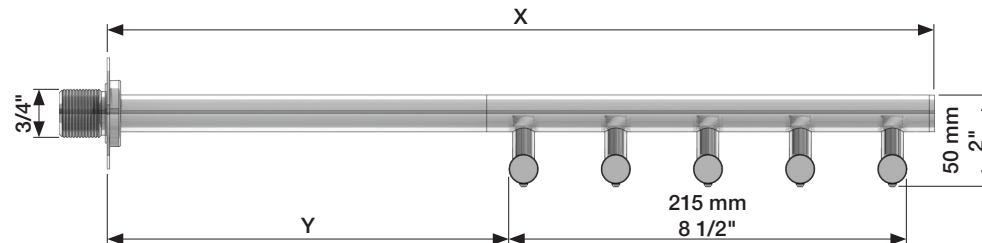
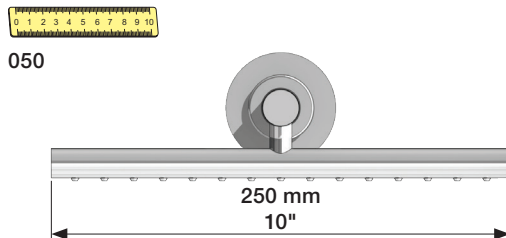
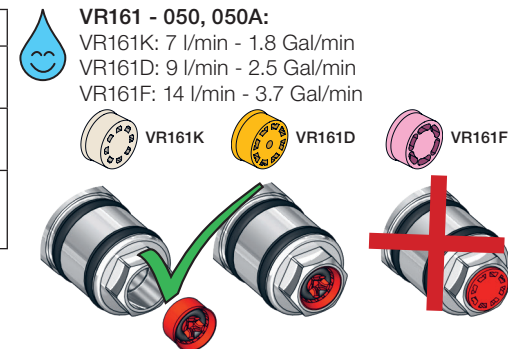
VOLA 050, 050A, 050K

Fitting instruction
 Montageanleitung
 Monteringsvejledning
 Monteringsvægledning
 Montage hanleiding
 Manuel de montage

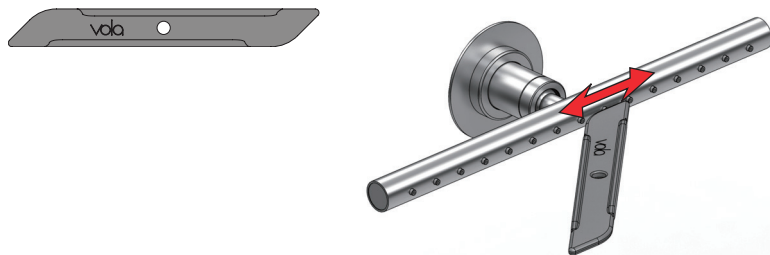


| Data | -100 | Std. | +100 | +200 |
|------|---------------|------------------|-------------------|-------------------|
| X | 440 mm 17" | 540 mm 21" | 640 mm 25" | 740 mm 29" |
| Y | 205 mm 8" | 310 mm 12" | 405 mm 16" | 505 mm 20" |
| Z | - | 190 mm 7 1/2" | 290 mm 11 3/8" | 390 mm 15 3/8" |

| Data | Bar: | 1 | 2 | 3 | 4 | 5 |
|------------------|----------------------|-----------|-----------|-----------|-----------|-----------|
| 051/051A | (l/min) (Gal/min) | 13 3.5 | 19 5.0 | 23 6.1 | 26 7.0 | 30 7.8 |
| 051K | (l/min) (Gal/min) | 5 1.3 | 5 1.3 | 5 1.3 | 5 1.3 | 5 1.3 |
| Max. 65°C. 150°F | | | | | | |



Service - VR556



050 + 050A

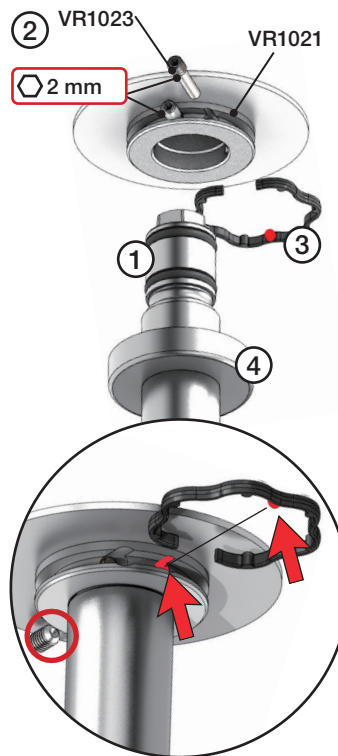


050 & 050A



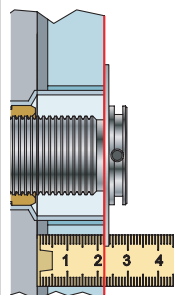
050A

Locking screw
Sicherungsschraube
Sikringskrue
Fästskruv
Borgschroef
Vis de verrouillage



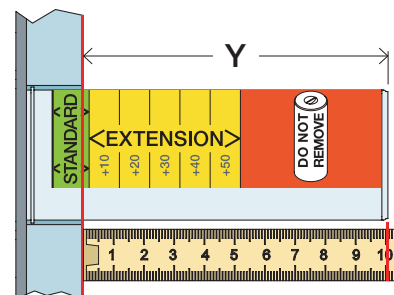
Extension
Verlängerung

T Min. 3 mm
Max. 65 mm



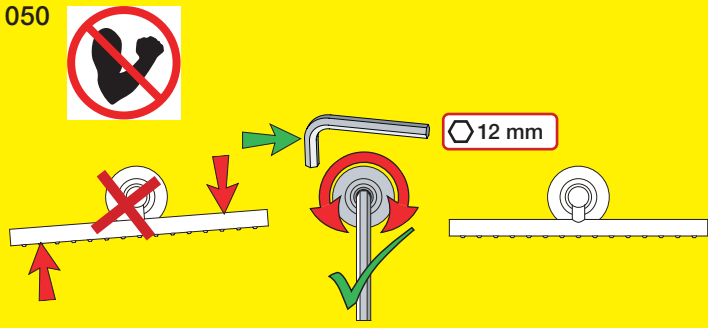
Forlængerdele
Förlängning

Y Min. 48 mm
Max. 110 mm

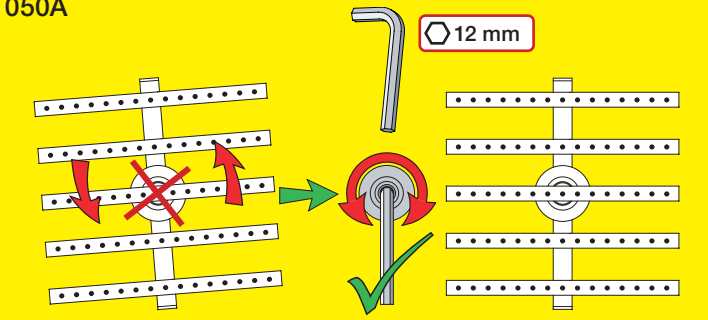


| T | Y | VR2019 (VR1020): 050K VR2021 (VR1020): 050 VR2219 (VR1021): 050A |
|------------|-------------|--|
| 3 - 15 mm | 110 - 98 mm | Std. |
| 15 - 25 mm | 98 - 88 mm | +10 |
| 25 - 35 mm | 88 - 78 mm | +20 |
| 35 - 45 mm | 78 - 68 mm | +30 |
| 45 - 55 mm | 68 - 58 mm | +40 |
| 55 - 65 mm | 58 - 48 mm | +50 |

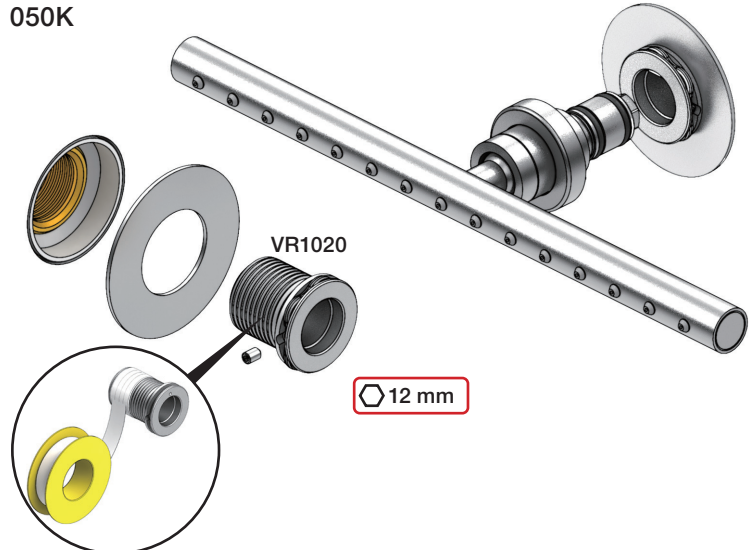
050



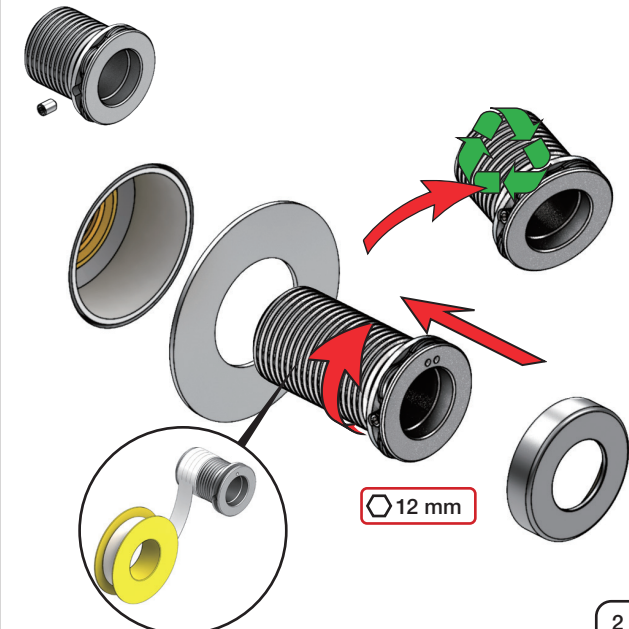
050A

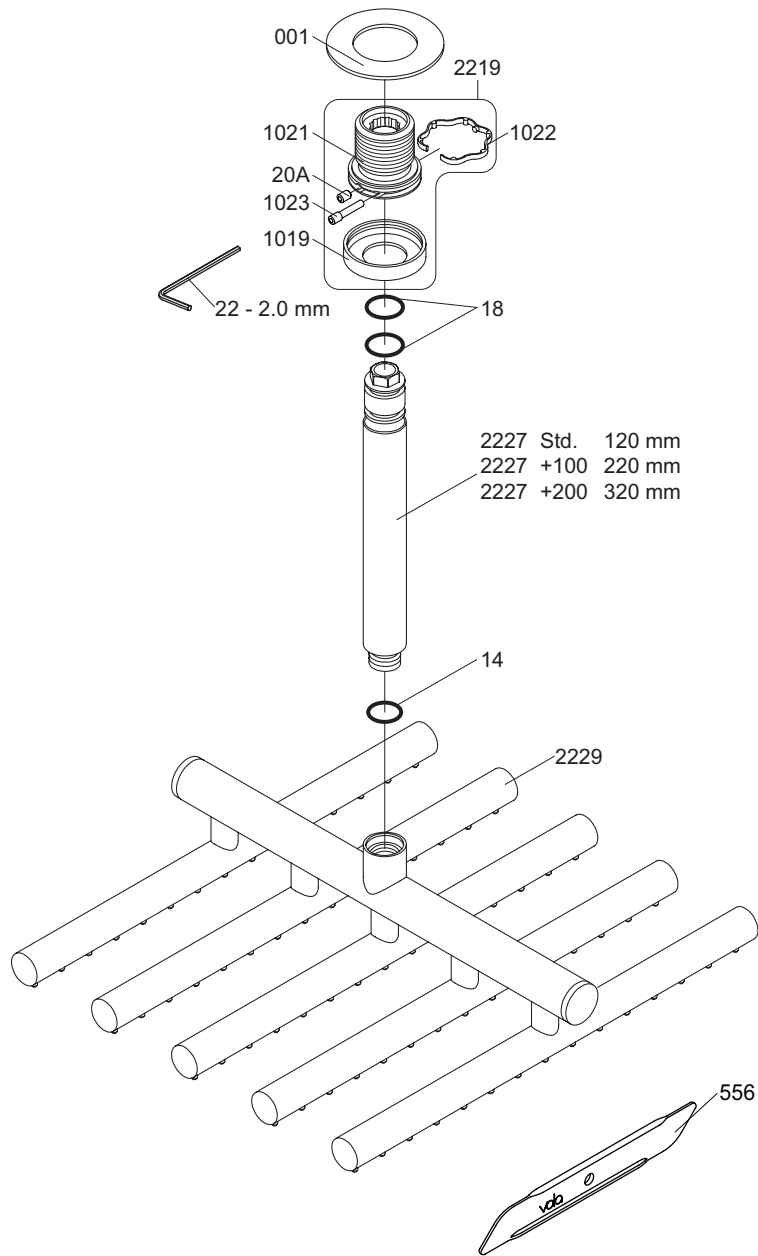


050K



VR2019+/VR2219+





VR1021K: VR20A, VR22, VR1021, VR1022, VR1023
 VR2219: VR20A, VR22, VR1019, VR1021, VR1022, VR1023



vola
 Lunavej 2
 DK-8700 Horsens
 Tlf : + 45 7023 5500
 sales@vola.com
 www.vola.com

VOLA 050A

Date
 Apr. 21

Rev.
 3

Sheet
 SB 14.2