



# Dornbracht Foot Bath<sup>ATT</sup>

## Planning guide

- 02 Positioning recommendations
- 06 Access
- 08 Components
- 09 Zones of protection
- 10 Installation
- 12 Data and standards
- 15 Product overview
- 20 Checklists

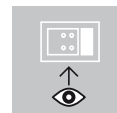
## POSITIONING RECOMMENDATIONS

Access  
Components  
Zones of protection

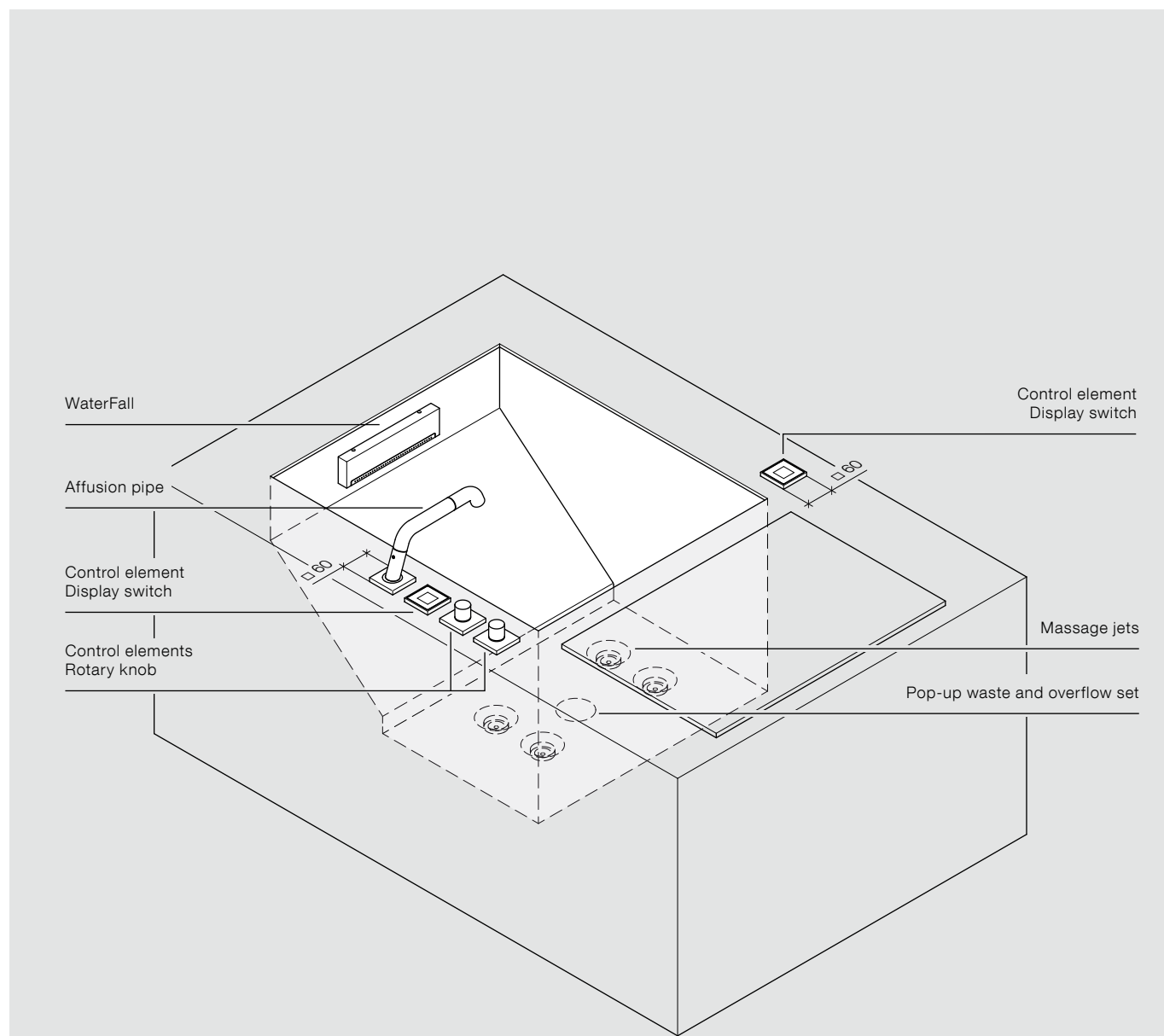
Installation  
Data and standards  
Product overview  
Checklists

## VERSION A

Version B



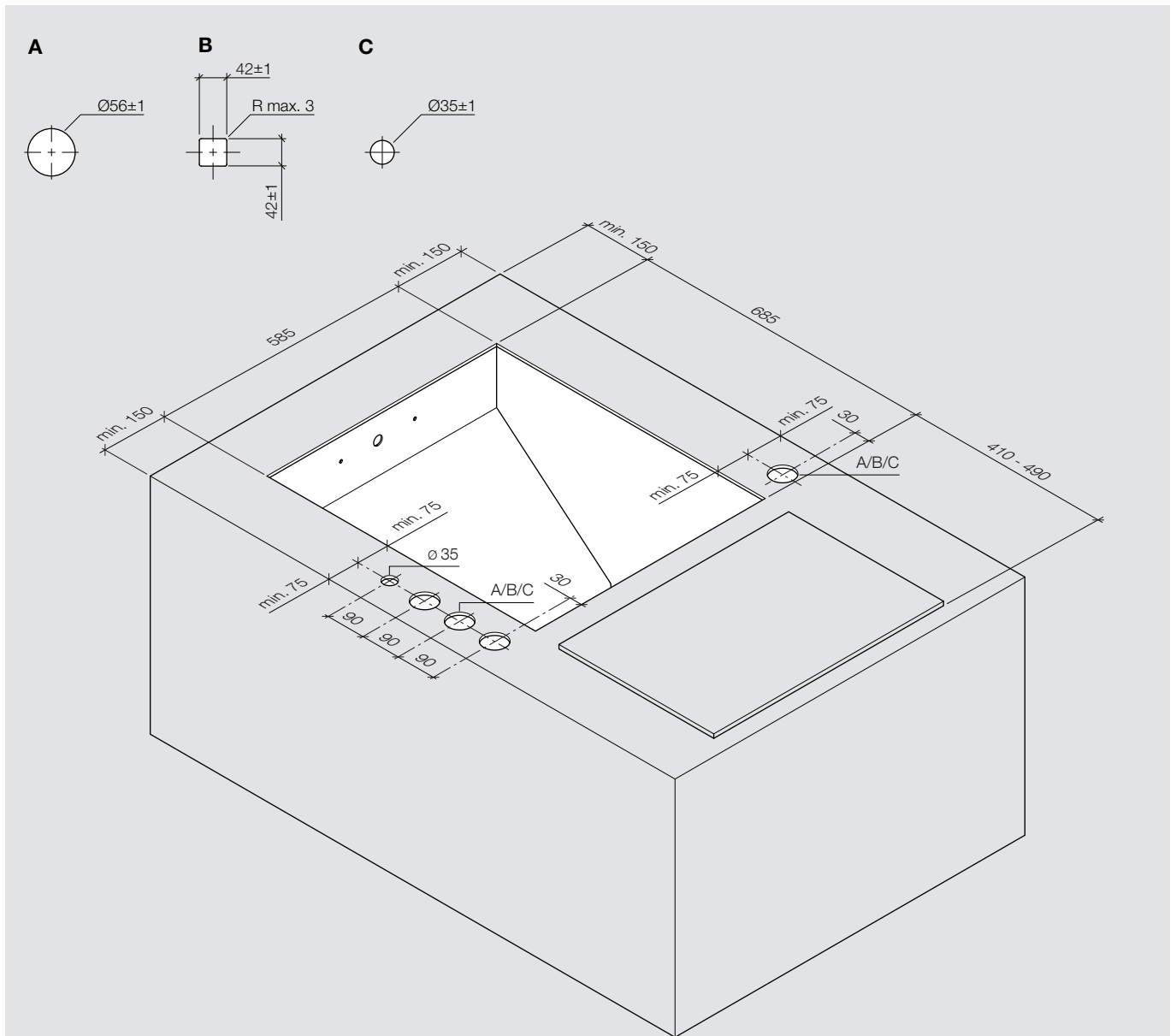
# Version A



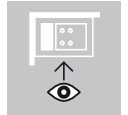
This set up example is a recommendation. The electronic control elements can be placed anywhere depending on the cable lengths (see page 11) and access (see page 6). The affusion pipe has to be placed on the left side of the FOOT BATH<sup>ATT</sup> (seen from the sitting position).



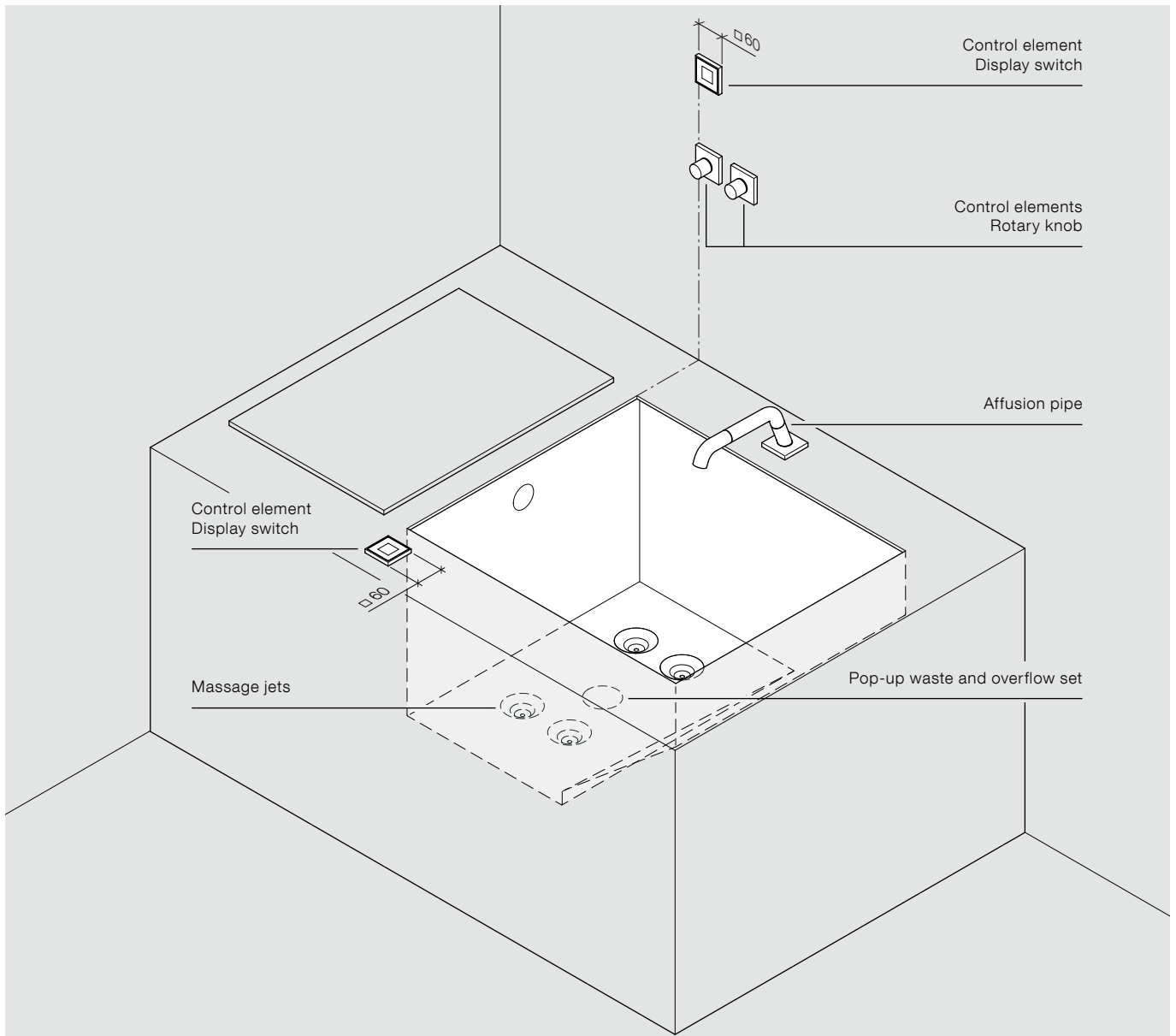
# Version A



The distance between a control element and the edge of the basin is min. 75 mm. The distance between control elements must not be less than 90 mm (center to center). The concealed rough parts for electronic control elements require a hole diameter of 56 mm (A). The rough parts are partially covered by tiles. The tile requires a hole of 42 x 42 mm (B) - tile thickness: min. 7 - max. 35 mm. When using natural stone, Corian or similar materials, the control elements can also be mounted without the concealed rough parts. In that case a hole diameter of 35 mm (C) is required and the thickness of the material is min. 20 mm - max. 40 mm. The recommended depth of the seat is 450 mm for a 1,75 m tall person.



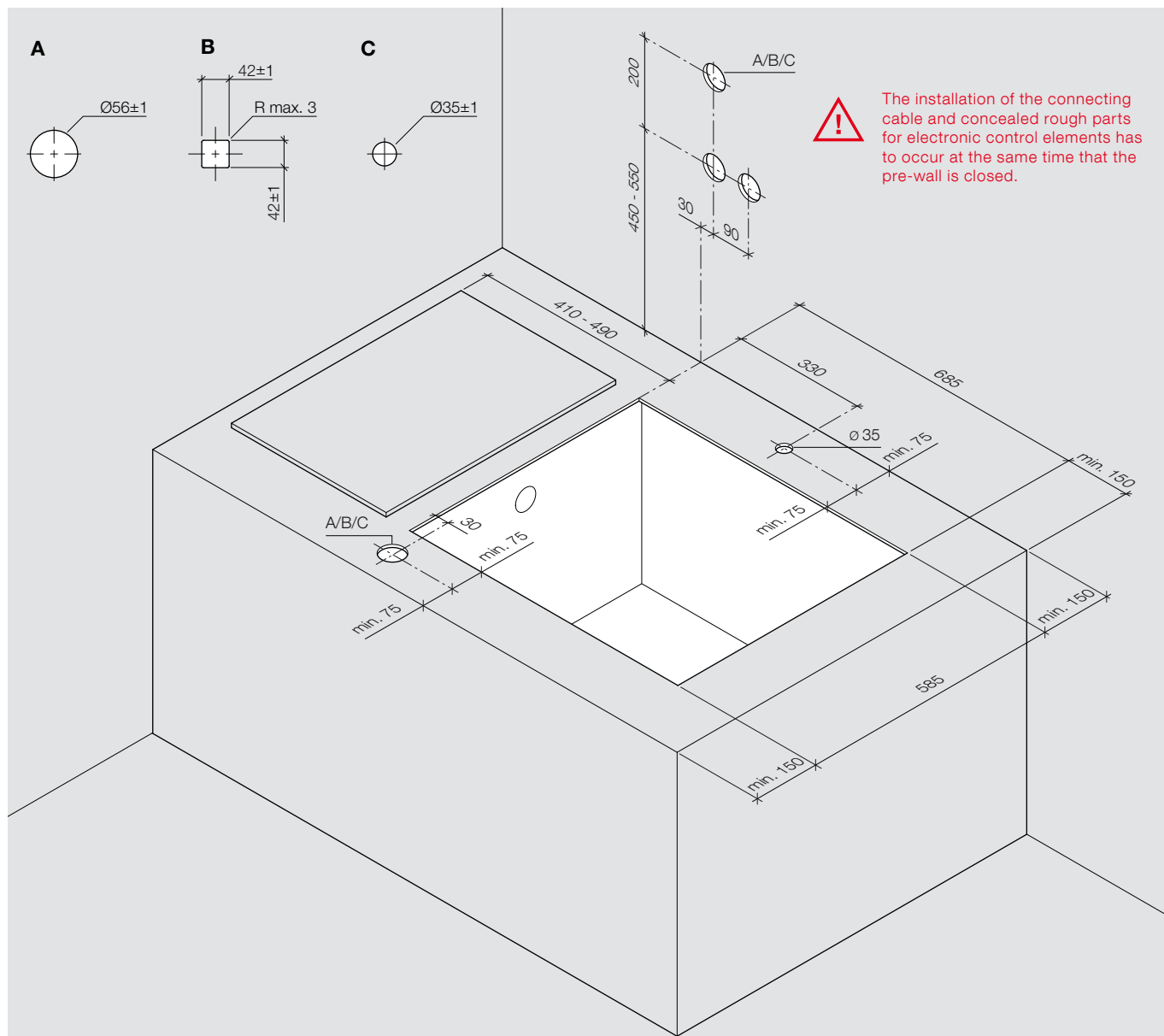
# Version B



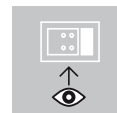
The control elements can also be mounted on the wall. In this case a pre-wall installation is required due to the rough in depth (min. 139 mm) and the installation of a rough in box. The affusion pipe has to be placed on the left side of the FOOT BATH<sup>ATT</sup> (seen from the sitting position). If the affusion pipe is installed on the side of the wall, an access panel has to be considered. If the affusion pipe cannot be accessed via the access panels (page 7) another method of access (e.g. with Perfecto installation frame 12 630 970 90) has to be provided for.



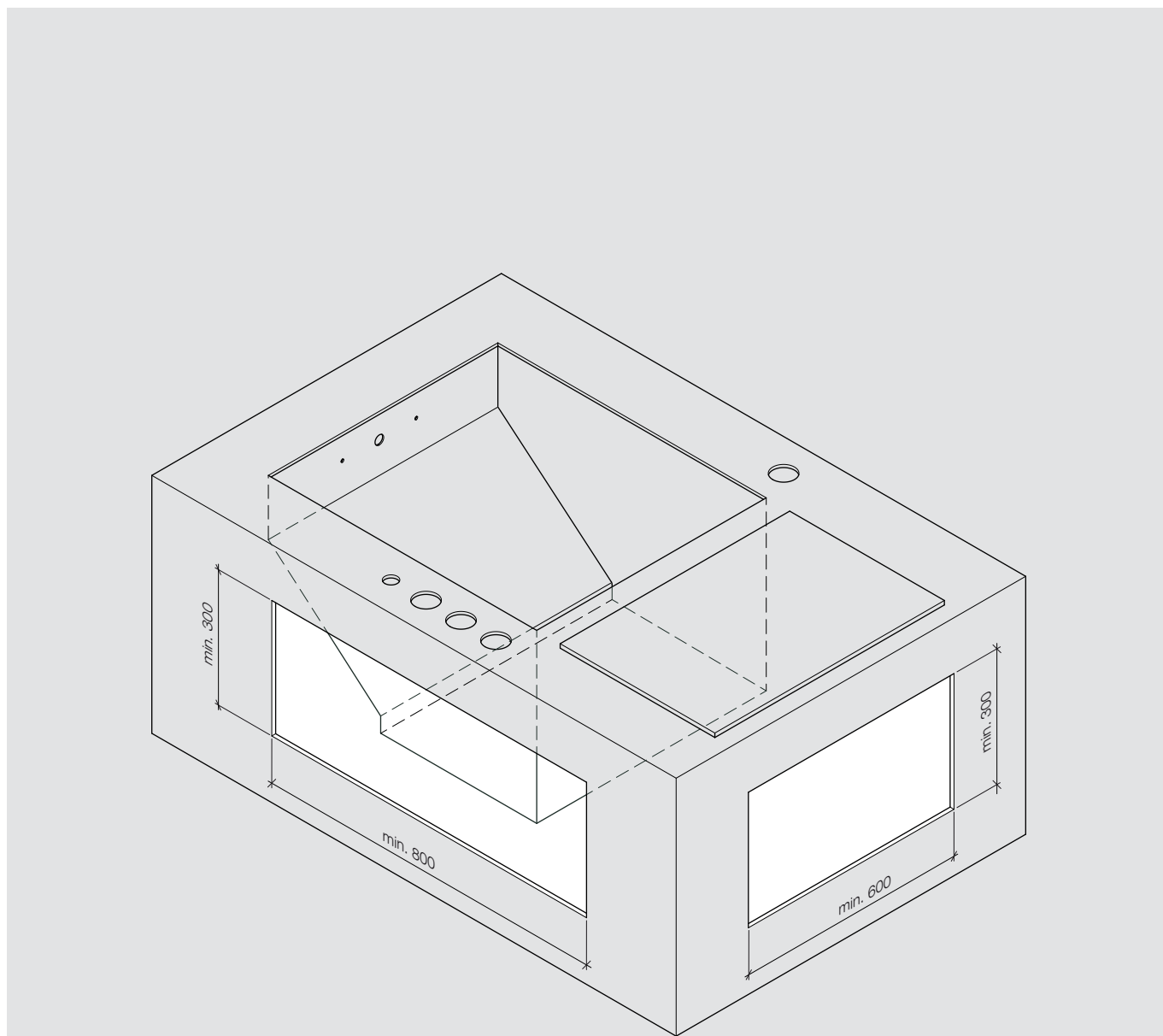
# Version B



The recommended installation height for a 1,75 m tall person is 500 mm for the rotary knobs and another 200 mm for the display switch. The distance between the control elements must not be less than 90 mm (center to center). The concealed rough parts for electronic control elements require a hole diameter of 56 mm (A). The rough parts are partially covered by tiles. The tile requires a hole of 42 x 42 mm (B) - tile thickness: min. 7 - max. 35 mm. When using natural stone, Corian or similar materials, the deck mounted control element can be mounted without concealed rough parts. In that case a hole diameter of 35 mm (C) is required and the thickness of the material is min. 20 mm - max. 40 mm. The recommended depth of the seat is 450 mm for a 1,75 m tall person.

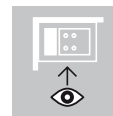


## Access - side

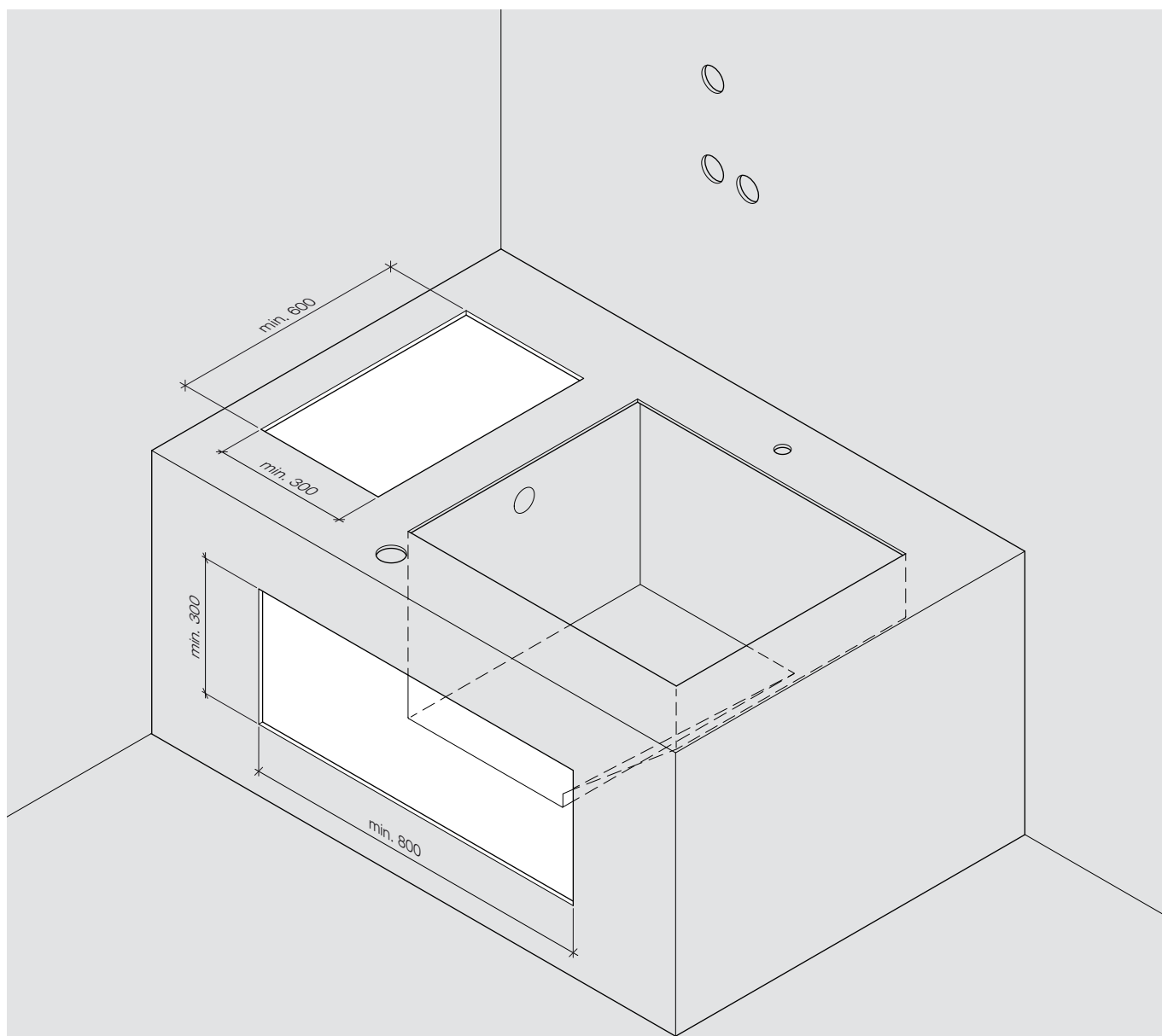


The FOOT BATH<sup>ATT</sup> components have to be accessible for the installation as well as service after the installation. At least two access panels are required:

1. Access panel on the side for the affusion pipe and the control elements (min. 800 x 300 mm)
2. Access behind the seat for the electronic components and water connections (min. 600 x 300 mm)



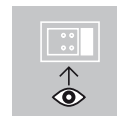
## Access - side / top



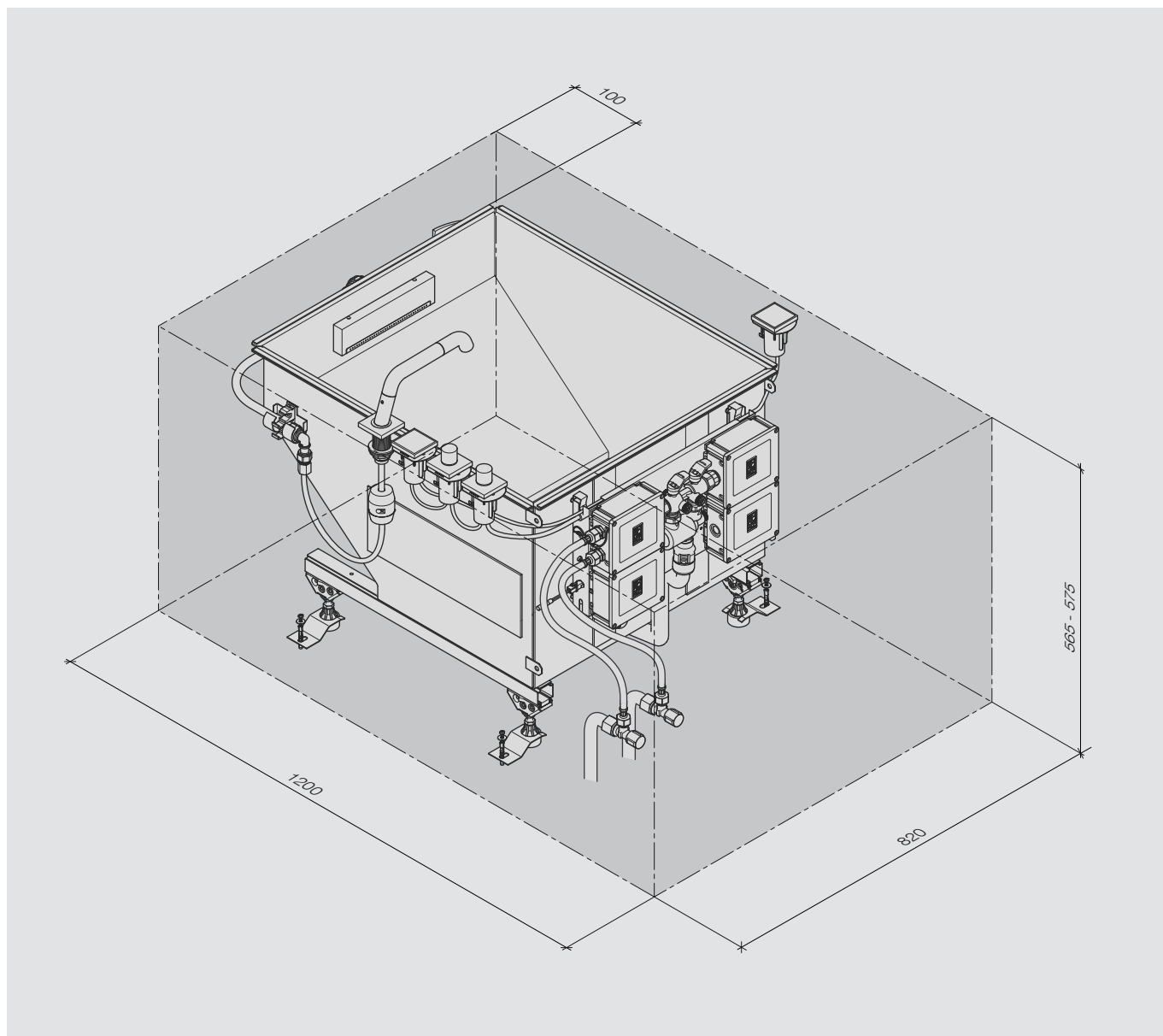
The FOOT BATH<sup>ATT</sup> components have to be accessible for the installation as well as for service after the installation.

At least two access panels are required:

1. Access panel on the side for the affusion pipe and the control elements (min. 800 x 300 mm)
2. Access under the seat for the electronic components and water connections (min. 600 x 300 mm)

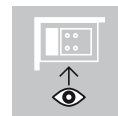


# Components

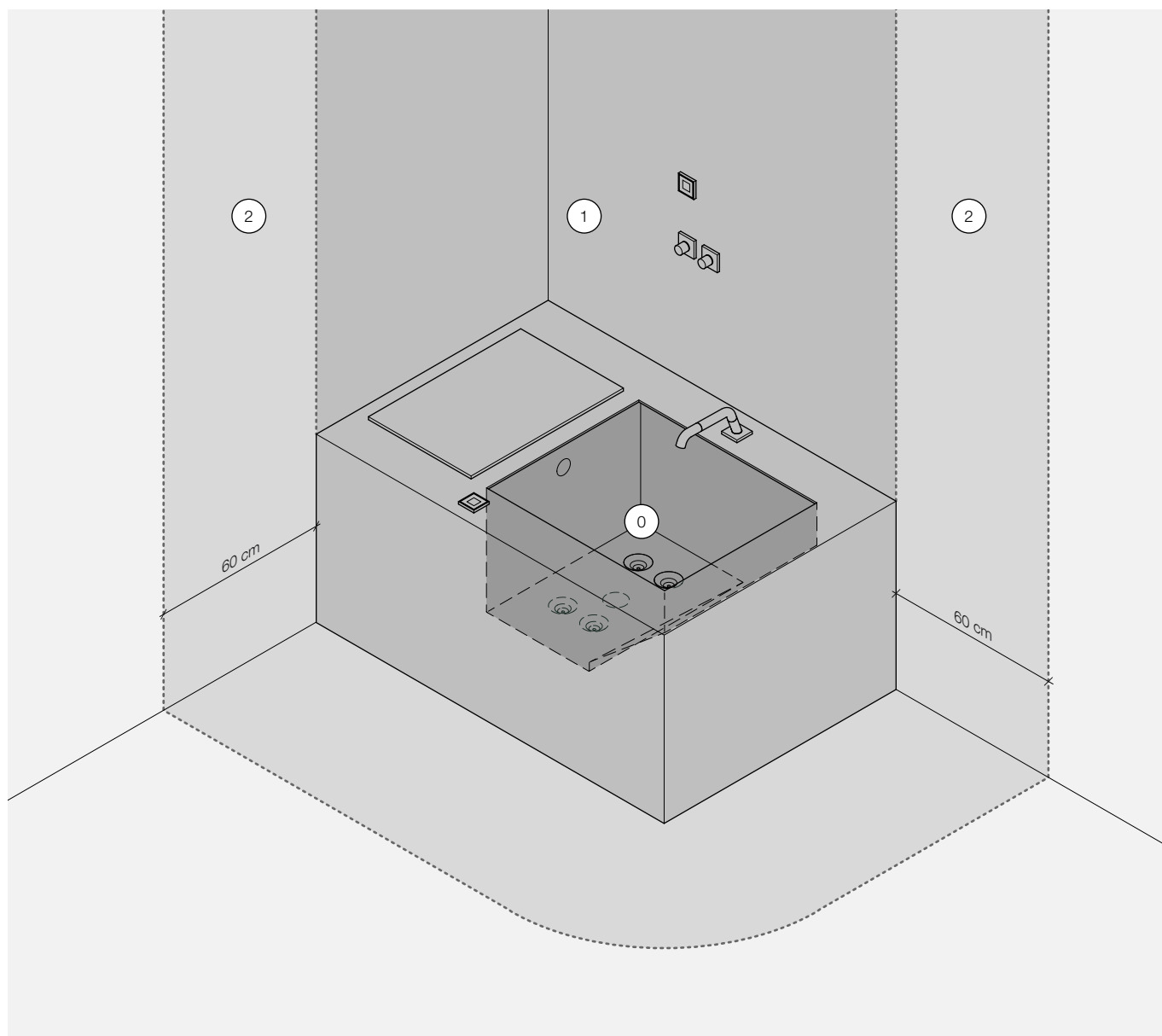


This examples shows the required space of the FOOT BATH<sup>ATT</sup> components. The dimensions include the necessary space for components as well as space required for installation and connections.



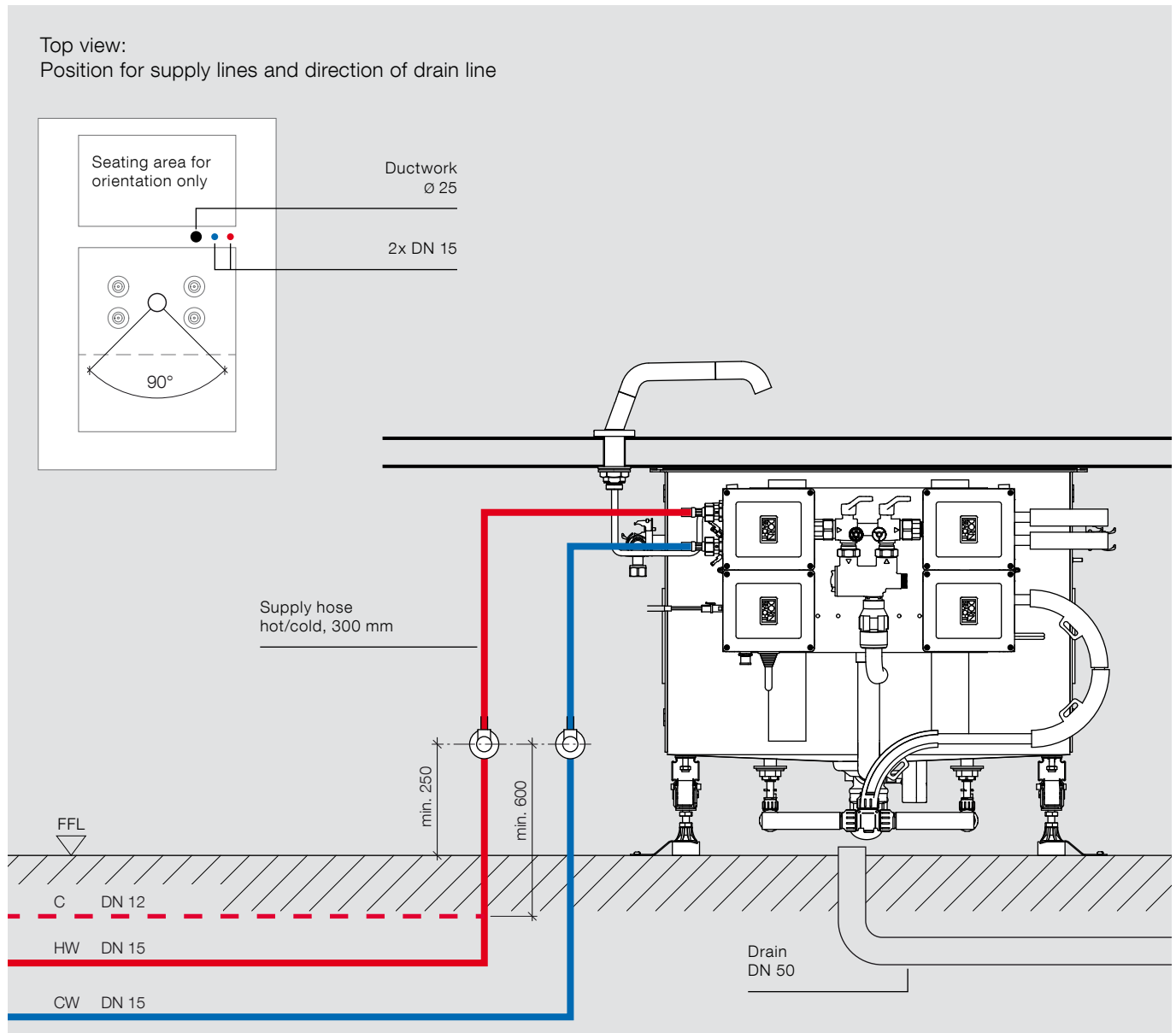


## Zones of protection



DIN VDE 0100, PART 701 compliant safety zones. Please conform to national statutory regulations, where different. The power supply has to be installed outside of safety zone 2 in main board or sub-distribution board. The protection rating of the individual components has to be noted during installation and is only valid when installed correctly. Control elements, electronic valves and pop-up waste are operated through safety extra-low voltage (SELV) and can be installed inside safety zone 1.

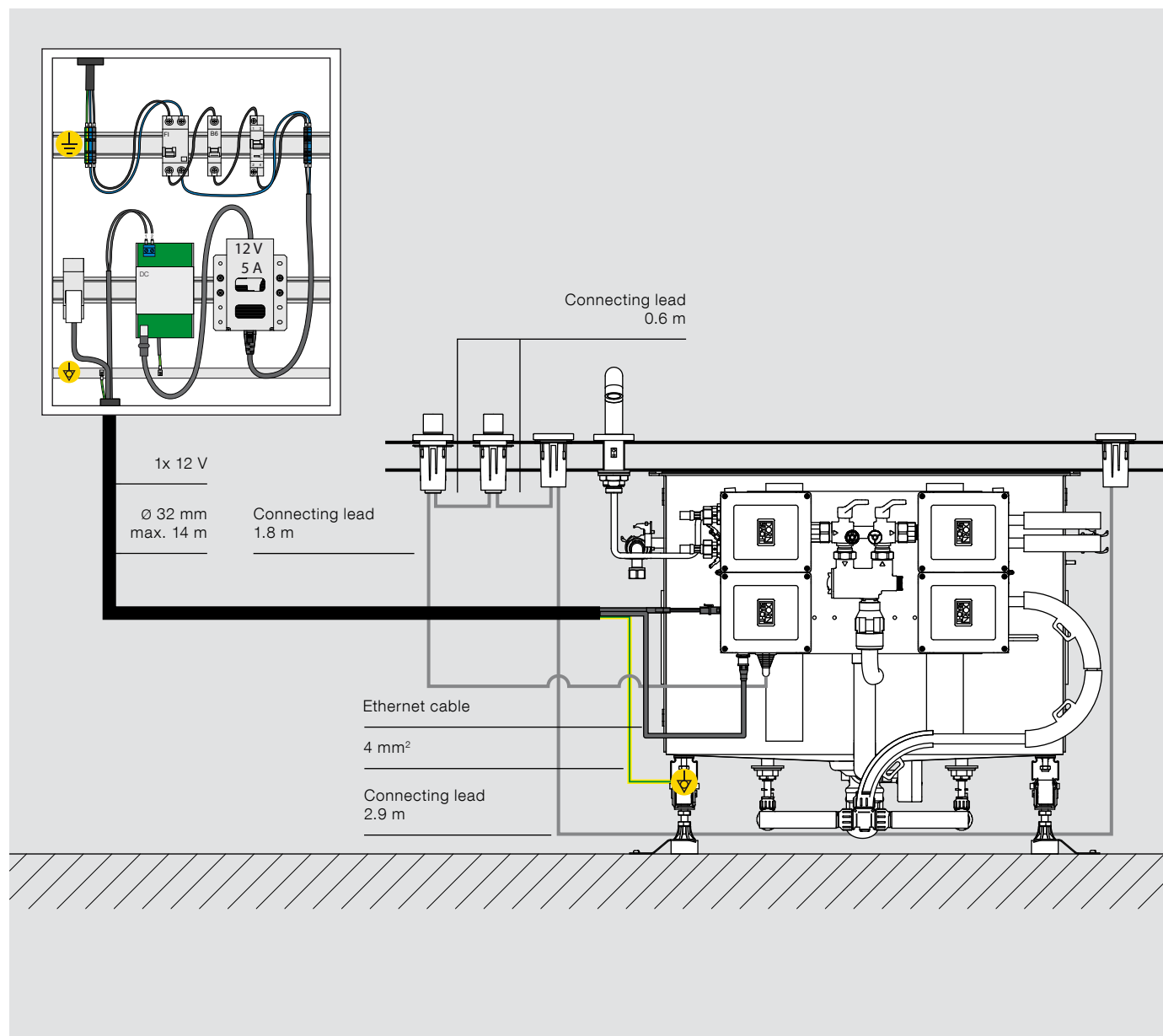
# Water installation



Compliance with national requirements for drinking water installations is mandatory. Separate shutoff for the hot and cold water pipes via angle valves with filter (included in scope of delivery). The drain of the pop-up waste can be adjusted 90° from side to side (see top view).

**PLEASE ALSO REFER TO THE PLANNING INFORMATION**

# Electrical installation



Compliance with national requirements for electrical installations is mandatory.

FOOT BATH<sup>ATT</sup> must be connected via a residual current circuit-breaker (rated differential current up to 30 mA). Relevant extension cables are available for the installed connecting leads, if required. The individual components are connected using the „plug-and-play“ concept.

**PLEASE ALSO REFER TO THE PLANNING INFORMATION**

# Planning information

## Plumbing

Connect the water supply (HW + CW) 2x DN 15 – G1/2" via angle valves with filter (included in scope of delivery). A main filter (back-flushable) is recommended in addition to the filter of the angle valves.

The customer must provide a pressure reducing valve after the water meter (water main).

If a circulation line (DN 12) is used, the circulation line connection must be at least 600 mm away from the angle valve.

It is mandatory to carry out a pressure test of the entire installation (without angle valves) at 1.5 times the max. permissible operating pressure. The exact procedure for the pressure test (preliminary check/main check) depending on the pipe material used, can be found in the currently applicable guidelines. Prepare a test report.

It is essential to flush the entire installation with clean water (note the applicable guidelines). Prepare a report. The flushing has to be done before fitting the exposed trim parts and start-up.

The customer has to provide for access to the affusion pipe as well the water connections and electronic components. A pre-wall installation has to be used if the control elements are mounted on the wall. The installation of the connecting cable and concealed rough parts for electronic control elements has to occur at the same time that the pre-wall is closed.

## Application

The devices are not designed for outdoor use. If the plan is to use them in a steamy environment, or one containing salt or chlorine, consultation with Dornbracht is advised.

## Water hardness

Recommended water hardness: 5-6 °e

Use water-softening system into the feed pipes depending on water hardness.

## Water heating

To choose the perfect hot-water storage tank – taking additional tapping points and simultaneous usage into consideration – it is essential to assess the specific demand (e.g. in accordance with DIN 4708-2). If the hot water temperature in the hot-water storage tank is set higher than 60° C, a thermostatic water mixer must be connected in series after the storage tank (e.g. with a solar heated boiler). If the project requires regular thermal disinfection to be carried out, the customer must provide a relevant (manually or automatically operated) bypass of the thermostatic water mixer.

## Floor drain

Drainage capacity/connected rating 0.9 l/s

Drainage pipe DN 50.

## Maintenance

The integrated type BA system divider (back flow prevention) as per EN 1717 has to be serviced on a regular basis by a professional plumber. The correct function has to be checked after the first year and periodically thereafter, depending on use conditions, but at least once a year. A test report is to be written. The filters in the angle valves as well as all other filters have to be cleaned once a year and replaced if necessary.

# Planning information

## Electrical

Only connect to the electricity supply when the device is voltage-free. Electrical installation must be carried out by a professional specialist, in accordance with VDE 0100. Please conform to national statutory regulations, where different.

The installation of the connecting cable and concealed rough parts for electronic control elements has to occur at the same time that the pre-wall is closed.

Only use original Dornbracht components to connect the devices.

The maximum distance between the sub-distribution board or main board and FOOT BATH<sup>ATT</sup> is 14 m.

The customer must provide the following circuit breakers and electrical components:

- earth-leakage circuit breaker (30 mA, 2-pin, type A)
- safety cut-out (6 A, type B)
- circuit-breaker switch (16 A, 1 make contact, 230 VAC).

# Technical data

## Plumbing

### Flow rate at 3 bar flow pressure (max.)

- Affusion pipe	13.6 l/min.
- WATER FALL with PEARLSTREAM	14.2 l/min.
- Massage jets	9.3 l/min.

### Flow rate choreographies

- RELAX (15 Min.):	max. 100 l
- VITALIZE (5 Min.):	max. 40 l

### Flow pressure

Minimum flow pressure	2.5 bar
Maximum flow pressure	4.0 bar
Maximum difference in flow pressure between hot and cold water	1.0 bar
Recommended flow pressure	3.0 bar

FOOT BATH<sup>ATT</sup> is intrinsically protected against back flow according to DIN EN 1717

### Permissible operating temperatures

Hot water temperature range	50-60 °C
Thermal disinfection (3-10 Min.)	75 °C
Cold water temperature range	5-20 °C
Anti-scald protection	43 °C

## Electrical

### Basin

Electricity supply (input voltage) in the sub-distribution board	100-240 VAC
Electricity supply (input voltage) at the FOOT BATH <sup>ATT</sup>	12 VDC
Input frequency	50-60 Hz
Maximum power consumption	60 W
Output voltage	12 VDC
Output current	1.5 A
Power consumption (sleep mode)	< 5 W
Power consumption (in operation)	20 W
System of protection	IP X4
Equipotential bonding	4 mm <sup>2</sup>

### Display switch + rotary knob control elements

Input voltage	12 VDC
System of protection	IP X4
Concealed box drill hole diameter	56 mm

## General

Weight FOOT BATH<sup>ATT</sup> 40 kg

### Ambient temperatures

Basin	max. 55 °C
Basin	min. 5 °C
Control elements	max. 35 °C
Control elements	min. 5 °C
Storage	max. 35 °C
Storage	min. 5 °C

Store somewhere dust-free and dry!

### Provided by the customer:

Minimum space requirement for power supply unit in the sub-distribution board or main board	min. 100 x 200 mm
Earth-leakage circuit breaker, 2-pin	30 mA, type A
Safety cut-out	6 A, type B
Circuit-breaker switch	16 A, 1 make contact, 230 VAC

Conduit (for power supply, equipotential bonding cable, ethernet cable) from sub-distribution board to FOOT BATH<sup>ATT</sup> Ø 32 mm max. 14 m

Equipotential bonding cables for FOOT BATH<sup>ATT</sup> 4 mm<sup>2</sup>

Please refer to page 11 for the cable length of the connecting leads of the control elements.

A main filter (back-flushable) is recommended in addition to the filter of the angle valves. The customer must provide a pressure reducing valve after the water meter (water main).

### Marking

CE self-certification

Positioning recommendations  
Access  
Components  
Zones of protection

Installation  
Data and standards  
**PRODUCT OVERVIEW**  
Checklists

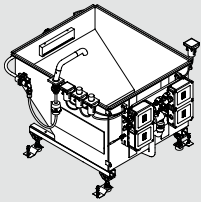
**FOOT BATH<sup>ATT</sup>**  
Basin  
Affusion pipe  
WaterFall  
Massage jets  
Pop-up waste and overflow set  
Control elements

# Foot Bath<sup>ATT</sup>

41 250 979

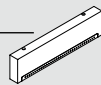
**FOOT BATH<sup>ATT</sup>**

polished chrome 41 250 979-00  
platinum matt 41 250 979-06



- Basin
- Affusion pipe
- WATER FALL with PEARLSTREAM
- Massage jets
- Electronic control elements (SMART TOOLS)

WATER FALL



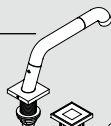
Massage jets



Control element



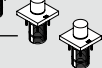
Affusion pipe



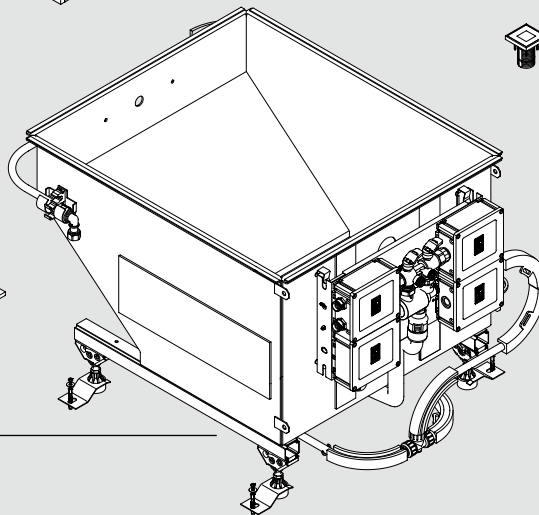
Pop-up waste with overflow



Control elements



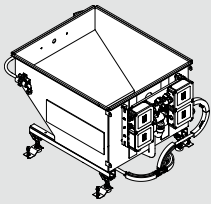
Basin



Additional downloads:

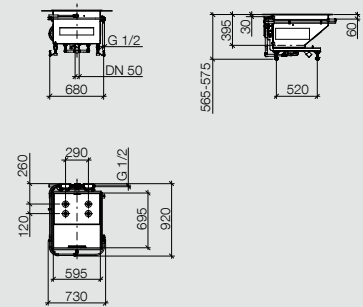
[Installation instruction FOOT BATH<sup>ATT</sup> \(01 03 29 979 00\)](#)

# Basin



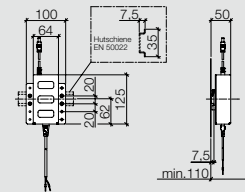
## Undermounted basin

- White glazed steel 920 x 750 mm, material thickness 3 mm
- Installation height min. 565 mm, max. 575 mm
- electronic pop-up waste and overflow set, pre-fitted
- 4x height-adjustable bath foot, pre-fitted
- Power supply unit 100-240 V, 50-60 Hz, 60 W, to be mounted on DIN rail TS 35
- 4x jets, pre-fitted
- WATER FALL with PEARLSTREAM plug-link mounting, pre-fitted
- Floor mounting material
- Plastic bath liner 285 x 390 x 20 mm, non-slip



## Connection materials

- Power supply cables 15 m system control unit
- Connecting leads, assembled cable for control elements (1 x 2.9 m, 2 x 0.6 m)
- 2x pressure hose 1/2" x 1/2" x 300 mm
- 2x angle valve with filter
- Ethernet cable 25 m



## Control and distribution unit, pre-fitted

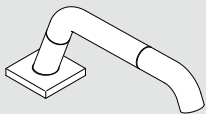
- eVALVE, electronic valve for adjusting water temperature and volume
- Control panel
- electronic three-way diverter
- system divider, type BA
- Piping
- IP X4

Additional downloads:

[Installation instruction FOOT BATH<sup>ATT</sup> \(01 03 29 979 00\)](#)

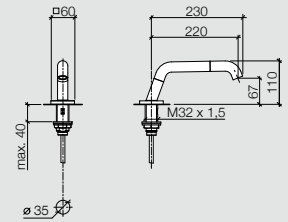


## Affusion pipe

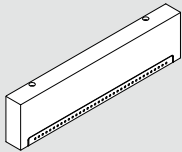


### Affusion pipe

- 200 mm projection
- Hose length 1500 mm
- Total height 100 mm
- Aerator
- Swivel spout 160°
- Hole diameter 35 mm
- lead free
- Flange 60 x 60 mm

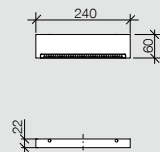


## WaterFall



### WATER FALL with PEARLSTREAM

- 22 mm projection
- Jet regulator with 36 single jets 216 x 10 mm
- Plate 240 x 60 mm
- Plug-link mounting, pre-fitted

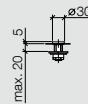


## Massage jets



### Massage jets

- 4x Jets, pre-fitted
- Massage jet



Additional downloads:

[Installation instruction FOOT BATH<sup>ATT</sup> \(01 03 29 979 00\)](#)

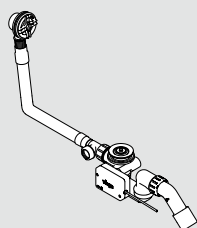
## Electronic pop-up waste and overflow

### Electronic pop-up waste and overflow Exposed trim parts



- plug
- ornamental knob

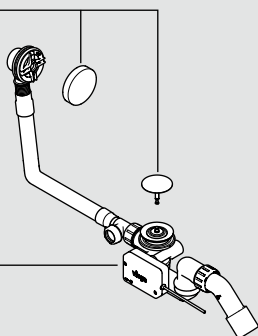
### Electronic pop-up waste and overflow Concealed rough parts



- pre-fitted with leakage water connection of system divider
- Drain 40 / 50 mm
- Water trap
- IP X4
- Drainage capacity: 0.87 l/s
- Overflow capacity: 0.63 l/s

### Electronic pop-up waste and overflow

#### Exposed trim parts



### Electronic pop-up waste and overflow

#### Concealed rough parts

Additional downloads:

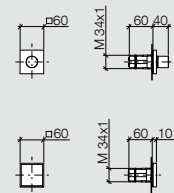
[Installation instruction FOOT BATH<sup>ATT</sup> \(01 03 29 979 00\)](#)

# Control elements

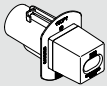
## Electronic control elements (SMART TOOLS) Exposed trim parts



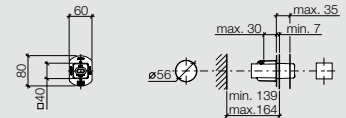
- 2x twist-action control elements with electronic control for temperature and volume, each 60 x 60 mm
- 2x display switch control elements with electronic control for affusion pipe, WATER FALL with PEARLSTREAM, massage jets, electronic pop-up waste with overflow, comfort function and scenarios, each 60 x 60 mm
- Electricity supply: 12 VDC
- Preset temperature and volume
- Button lock for cleaning
- Pause function
- Update capability
- Service displays
- IP X4



## Concealed rough parts for electronic control elements (SMART TOOLS) Concealed rough parts

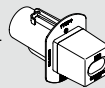


- 4x concealed box for pre-wall installation mounting
- 4x anti-water packing
- Hole diameter 56 mm
- Min. recess depth 75 mm



### Concealed rough parts for electronic control elements (SMART TOOLS)

Concealed rough parts



Control element rotary knob

Exposed trim parts



Control element display switch

Exposed trim parts



Additional downloads:

[Installation instruction FOOT BATH<sup>ATT</sup> \(01 03 29 979 00\)](#)

# Plumbing / dry wall planning advice

Use this checklist to verify that you have all the information you need from your FOOT BATH<sup>ATT</sup> consultations. The following items are particularly important:

- The customer has to provide for access to the affusion pipe as well the water connections and electronic components (see page 6)
- A pre-wall installation has to be used if the control elements are mounted on the wall. The installation of the connecting cable and concealed rough parts for electronic control elements has to occur at the same time that the pre-wall is closed
- Conform to fire protection regulations
- Calculate the piping according to DIN 1988-3, EN 806-3
- Calculate optimum choice of hot water storage device (e.G. according to DIN 4708, DIN 1988-20)
- A pressure reducing valve to be provided by the customer (installed after the water meter according to DIN 1988)
- Main water filter (back-flushable) to be provided by customer (e.g. according to DIN 1988)
- Hot-water temperature range during operation 50 - 60 °C
- Cold-water temperature range during operation 5 - 20 °C
- Recommended water hardness: 5 - 6 °e
- Flow pressure during operation 2.5 - 4.0 bar
- Recommended flow pressure during operation 3.0 bar
- Maximum difference in flow pressure between hot and cold water 1.0 bar
- Water supply (HW + CW) 2x DN 15 – 1/2"
- A min. distance for a circulation pipe of 600 mm from the angle valves is required if a hot water circulation system is installed
- Leak test after rough installation according to EN 806-4
- Pipe flushing after rough installation according to EN 806-4
- Drain capacity: AW 0.9 L/sec, DN 50

System partner / Installer

Project

.....

.....

Date

Signature System partner / Installer

.....

.....

# Trim installation / Start-up

Use this checklist to verify that you have all the information you need for the trim installation and initial start-up of FOOT BATH. The following items are particularly important:

- Flushed pipes prior to trim installation (without angle valves)
- Checked power supply
- Checked parts supplied for trim installation are complete
- Installed product immediately after opening the box
- Installed complete FOOT BATH<sup>ATT</sup>: WATER FALL with PEARLSTREAM, affusion pipe, control elements, pop-up waste with overflow
- Height adjustability for the basin is max. 10 mm
- Installed power supply unit in sub distribution board
- The ethernet cable from the FOOT BATH<sup>ATT</sup> is to end up in the sub-distribution board
- Shut-off for the hot and cold water pipes opened all the way
- Turned on power supply
- Checked all functions of FOOT BATH<sup>ATT</sup>
- Checked FOOT BATH<sup>ATT</sup> for leaks after installation
- Instructed owner/ operator in use of FOOT BATH<sup>ATT</sup>
- Instructed owner/ operator about periodicity of maintenance (system divider, angle valves with filter)
- Handed over quickinfo and user manual
- Confirmed faultless operation with signature

System partner / Installer  
.....

Project  
.....

Date  
.....

Signature System partner / Installer  
.....

## Europe

DE	Dornbracht Hotline Technische Beratung E-Mail tservice@dornbracht.de	Phone +49 (0)2371 433 480 Fax +49 (0)2371 433 175
BE, LU	Gils & Gils BVBA E-Mail admin@gilsandgils.be	Phone +32 (0)3 235 636 6 +32 (0)3 235 252 1 Fax +32 (0)3 235 79 99
CH	Dornbracht Schweiz AG	Phone +41 (0)62 787 20 30
ES	Dornbracht España S.L.	Phone +34 93 272 391 0
FR	Dornbracht France SARL	Phone +33 (0)1 40 21 10 70
GR	Klimatechniki S.A.	Phone +30 (210)81 60 061
IT	Dornbracht Italia s.r.l.	Phone +39 02 81 83 43 1
LT, EE, LV	Arunas Jazukevicius	Phone +370 686 303 13
NL	Dornbracht Nederland B.V.	Phone +31 (0)10 5243400
PL	Honorata Broniowska	Phone +48 (0)95 728 261 7
PT	g-dEsign™	Tel. +351 919 899 942
RO, BG, MD	Reallize Consult SRL	Phone +40 21 528 03 91 Mob. +40 722 654 654
RU, BY	OSA GmbH & Co. KG	Phone +7 (499)241 8259
DK, SE, NO, FI, IS	Dornbracht Nordic A/S	Phone +45 50 84 54 00
SRB, BIH, MNE, MK, HR	DOZEN Stars d.o.o.	Phone +381 (11)22 58 785
AM, AZ, GE, KG, TJ, TR, TM, UZ, Northern Cyprus	Dornbracht Turkey/Central Asia	Phone +90 (0)212 284 9495
UA	Lesia Khelemendyk	Phone +38 (0)44 244 7682
UK, IE	Dornbracht UK Ltd.	Phone +44 (0)2476 717 129

## Central Europe

AT, CZ, SK, HU, SI	Dornbracht Zentraleuropa GmbH	Phone +43 (0)2236 677360
CZ, SK	agentura kramářová	Mob. +420 724 207 528
HU	Z-A DESIGN Stúdió Kft.	Phone +36 26 381 553 Mob. +36 70 775 0954

## Americas

US, CA, Central America, South America	Dornbracht Americas Inc.	Phone +1 800 774 1181 +1 (770) 564 3599
Mexico	German Concepts S.A. de C.V. Dornbracht Americas Inc.	Phone +52 (55)53 43 84 50 Phone +1 770 564-3599

## Asia Pacific

HK/MAC, JP, KR, TW, TH, VN, NZ, AUS	Dornbracht Asia Pacific Ltd.	Phone +852 2505 6254
SG, ML, ID, PH	Aloys F. Dornbracht GmbH & Co. KG Representative Office (RO) Singapore	Phone +65 6823 6813
CN	Dornbracht (Shanghai) Commercial Ltd.	Phone +86 (0)21 6360 6930 +86 (0)21 5150 6775
IN	Dornbracht India Private Ltd.	Phone +91 22 42323900

## Middle East

AE, BH, EG, IQ, IR, JO, KW, LB, OM, PK, QA, SA, SY, YE	Dornbracht International Holding GmbH (Rep Office)	Phone +971 4 380 6611
LB	Naji Kanafani & Fils	Phone +961 1 307 400

Aloys F. Dornbracht GmbH & Co. KG Armaturenfabrik, Köbbingser Mühle 6, D-58640 Iserlohn  
Phone +49(0)2371 433-0, Fax +49(0)2371 433-232, mail@dornbracht.de, dornbracht.com

Dornbracht Group

Premium Solutions for Interior Architecture