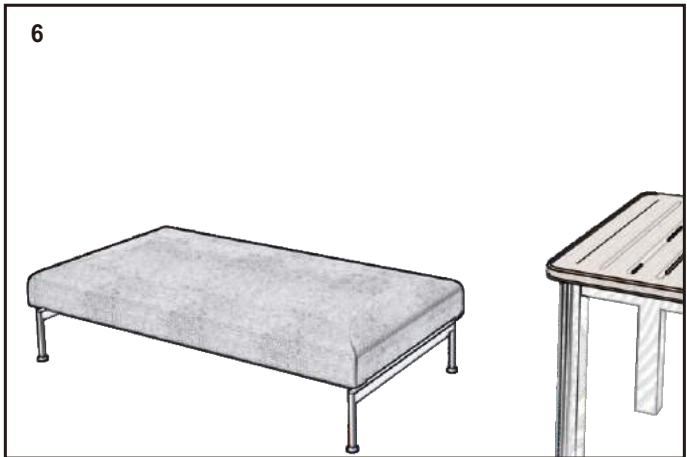
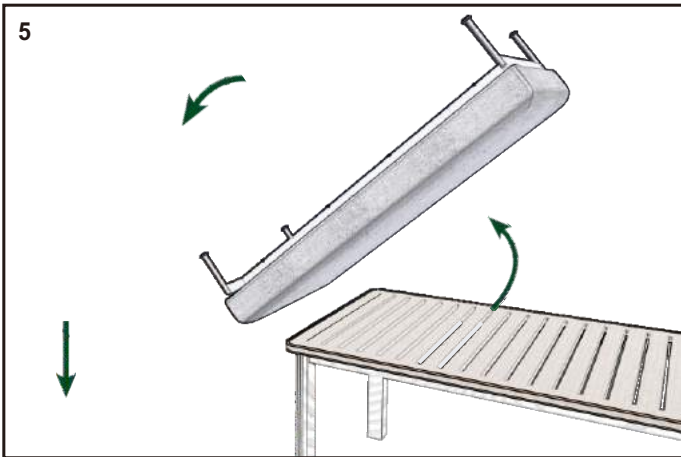
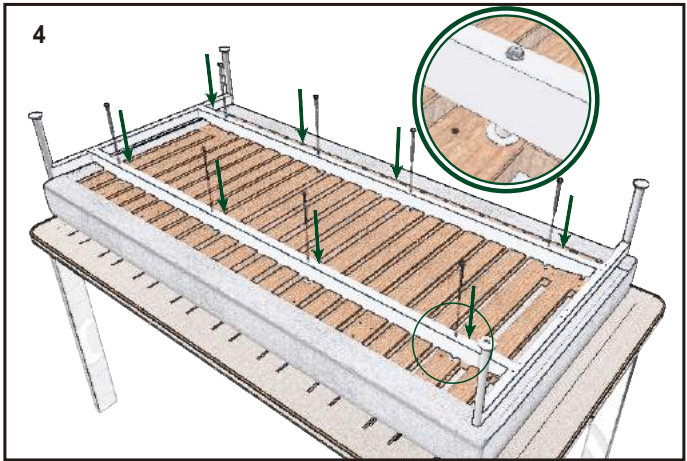
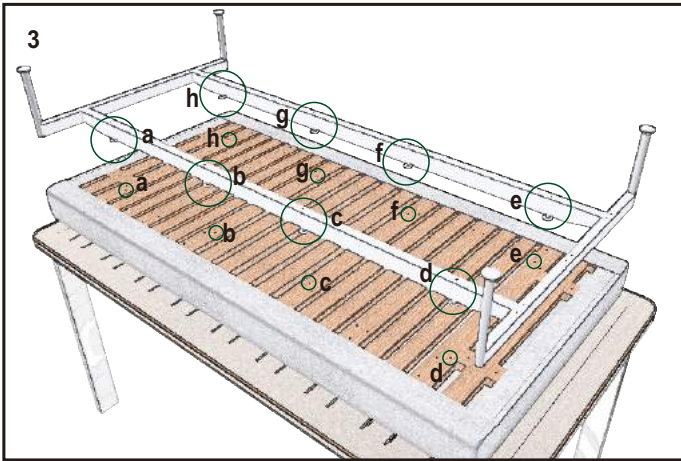
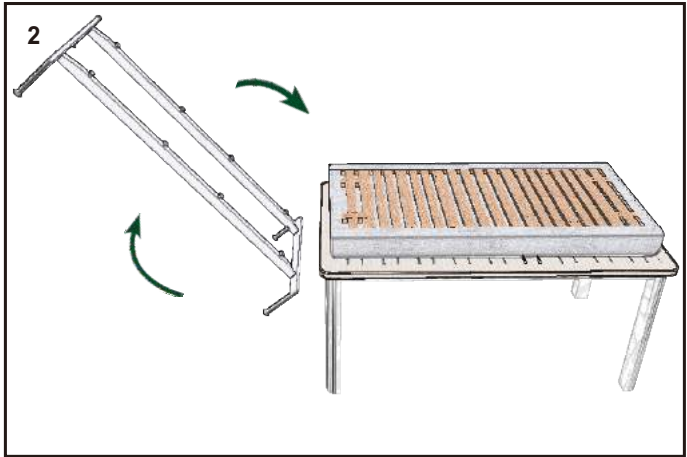
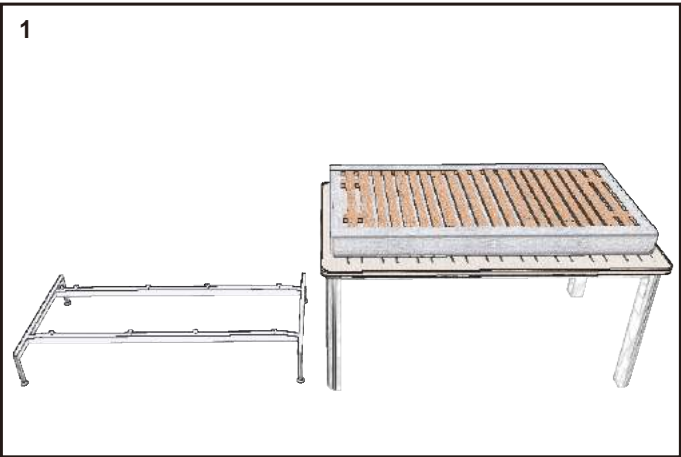
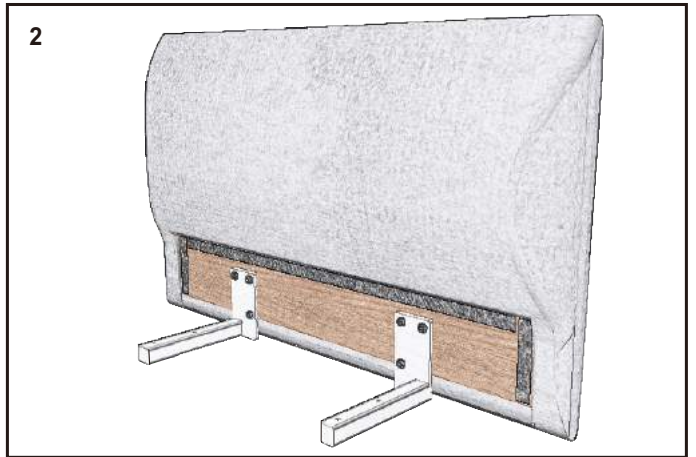
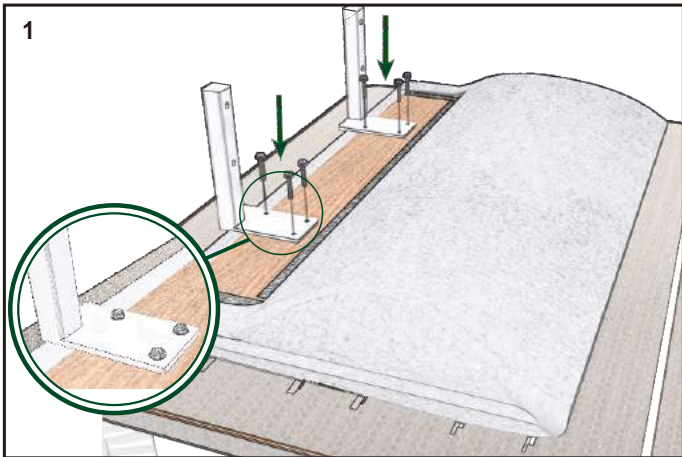
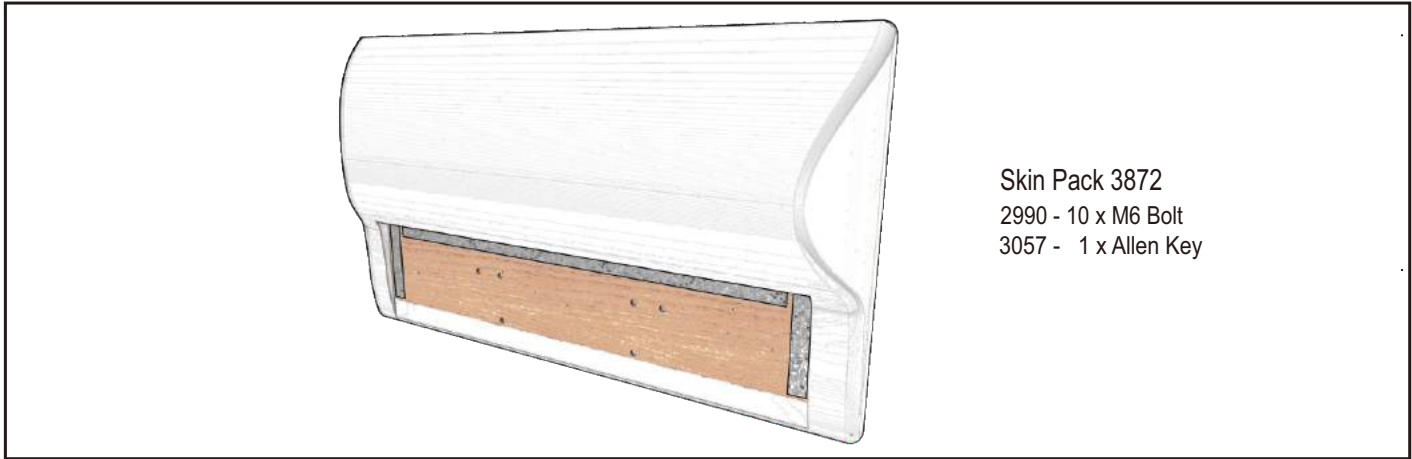


Layout Seat Double - 1LYS2



Layout Back Single - 1LYB1



Position the **Back** on the correct side of the seat frame as shown
Note when used as an **Arm** it needs positioning on the adjacent side.

